

Parts Catalog



WORLDLAWN[®]

WYZ 52/60

Zero Turn Mower



Worldlawn Power Equipment, Inc.

422 Turnbull Canyon Road City of Industry CA 91744

Toll Free Number: 1-866-9-Mowers(1-866-966-9377)

Content

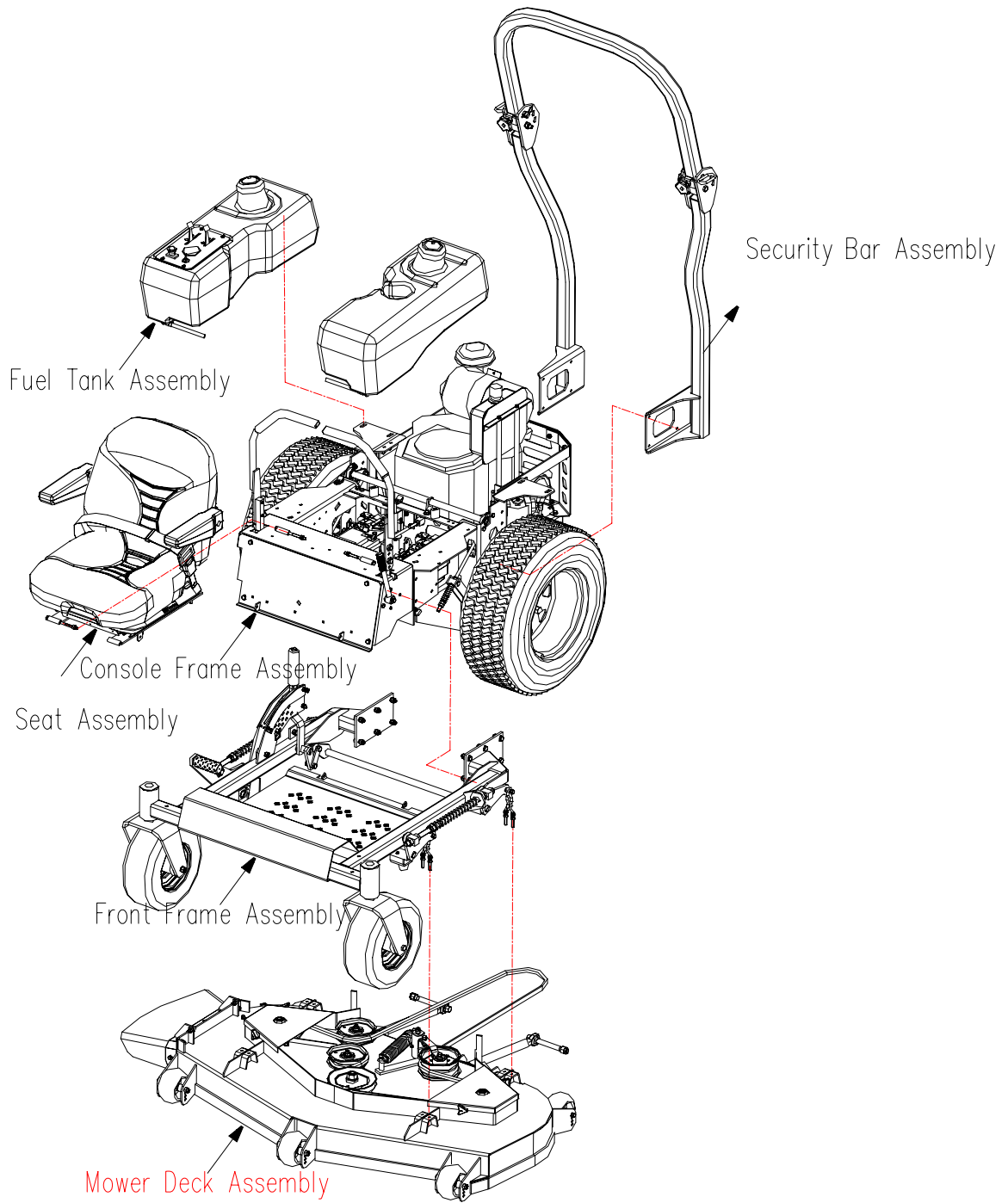


Content

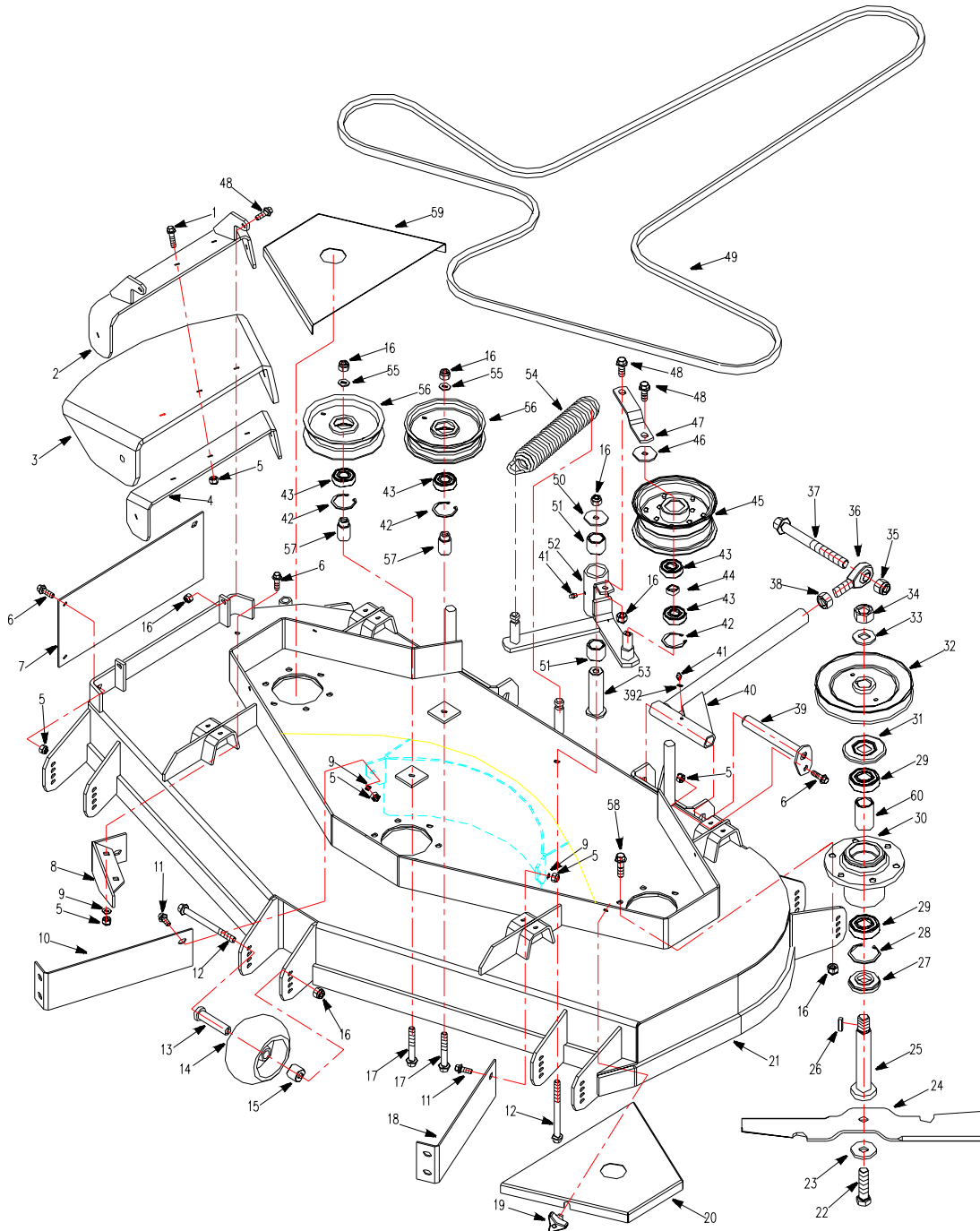
Mower Assembly.....	1
Mower Deck Assembly.....	2
Front Frame Assembly.....	4
Console Frame Assembly.....	6
Security Bar Assembly.....	8
Seat Assembly.....	9
Fuel Tank Assembly.....	10
Electric System	11
Drive Assembly.....	12
Brake System.....	14
Hydraulic System.....	16
Driving System.....	18
Safety / Operation And Product Decal.....	20



Mower Assembly



Mower Deck Assembly

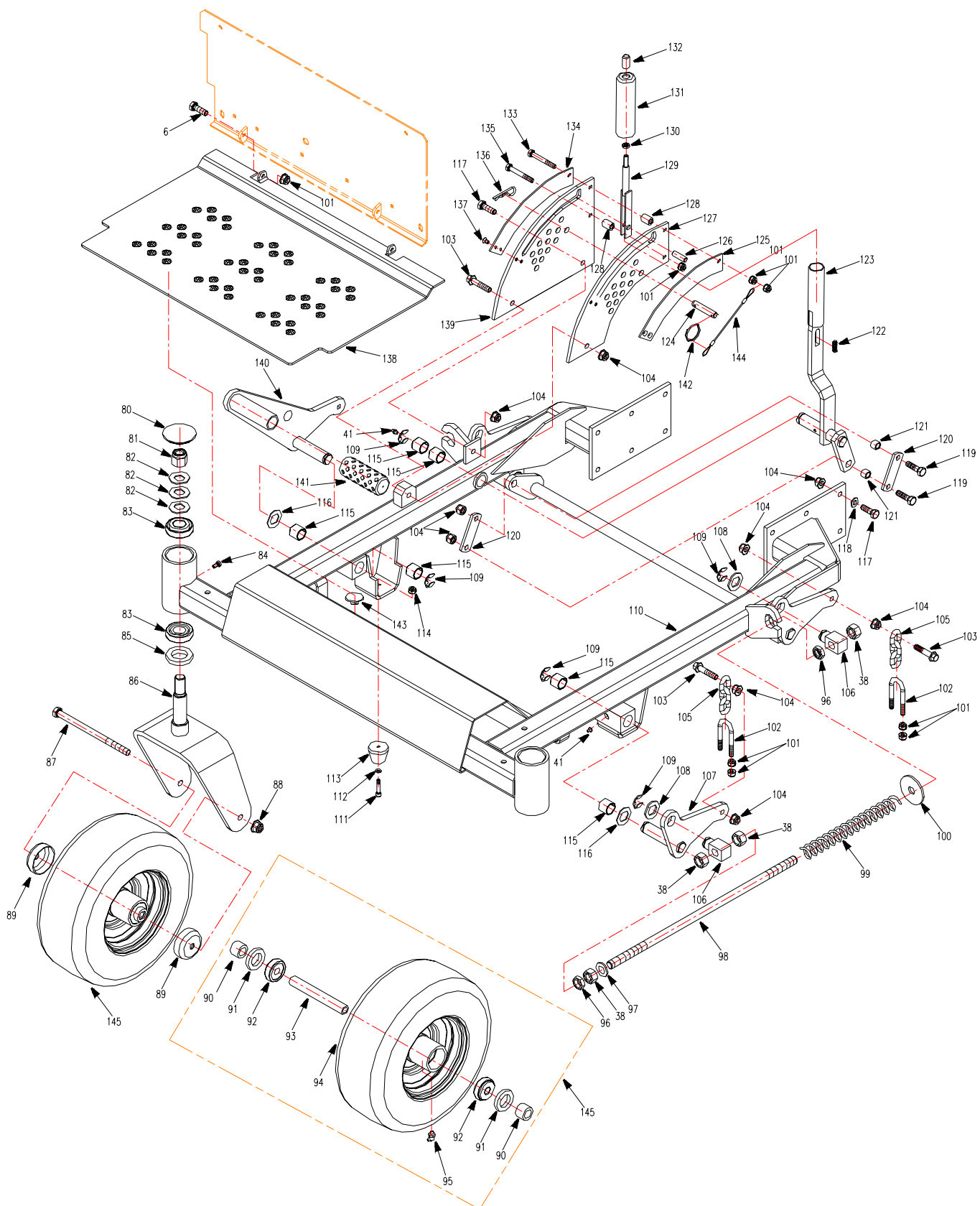




Mower Deck Assembly

REF.	PART NO.	DESCRIPTION	52	60	REF.	PART NO.	DESCRIPTION	52	60
1	B5787-830	Hex Hd Bolt M8×30	x	x	28	B893-52	Spacer 52	x	x
2	5201254	Outer Bracket, discharge chute	x		29	B276-6205RS	Bearing 6205-2RS	x	x
	6001054	Outer Bracket, discharge chute		x	30	5201050	Spindle Housing	x	x
3	5201253	Discharge Chute (Plastic)	x		31	5201044	Safety Guard	x	x
	6001053	Discharge Chute (Plastic)		x	32	5201045	Blade Pulley	x	
4	5201252	Inner Bracket, Discharge Chute	x			6001070	Blade Pulley		x
	6001052A	Inner Bracket, Discharge Chute		x	33	5201048	Washer (2)	x	x
5	B6182-8	Nut M8	x	x	34	B6171-20	Nut M20×1.5	x	x
6	B5787-825	Hex Hd Bolt M8×25	x	x	35	B6187-16	Nut M16	x	x
7	5201099	Mulching Plate	x		36	SABJK16C	Bearing SABJK16C	x	x
	6001006	Mulching Plate		x	37	B5787-16150	Hex Hd Bolt M16×150	x	x
8	5201098	Grass board	x	x	38	B6170-16	Nut M16	x	x
9	B97.1-8	Washer 8	x	x	39	5201055	Axle Pin Weldment	x	x
10	5201097	Plate 2	x		40	5201090	Support Pole	x	
	6001005	Plate 2		x		6001061	Support Pole		x
11	B5787-820	Hex Hd Bolt M8×20	x	x	41	B1152-6	Grease Fitting M6	x	x
12	B5787-1012	Hex Hd Bolt M10×120	x	x	42	B893.1-40	Spacer 40	x	x
13	5201082	Caster Wheel Bushing	x	x	43	B276-6203RS	Bearing 6203-2RS	x	x
14	5201081	Caster wheel	x	x	44	5201077	Bushing	x	x
15	3602014	Bushing	x	x	45	5201064	Idler Pulley	x	x
16	B6182-10	Nut M10	x	x	46	5201078	Spacer	x	x
17	B5787-1070	Hex Hd Bolt M10×70	x	x	47	5201062	Plate	x	x
18	5201096	Plate 1	x		48	B5787-1025	Bolt M10×25	x	x
	6001003	Plate 1		x	49	5201008	V Belt W800 SB153	x	
19	3302190	Bolt	x	x		6001001	Blade Drive Belt		x
20	5201261	Safety board, left	x		50	5201067	Spacer	x	x
	6001002A	Safety board		x	51	B2685-253225	Bearing 25E8×32×25	x	x
21	5201240	Mower Deck	x		52	5201068	Tension Fixed Seat	x	x
	6001100	Mower Deck		x	53	5201066	Bushing	x	x
22	B5785-1615	Bolt M16×1.5×60	x	x	54	5201002	Spring	x	x
23	5201042	Washer (1)	x	x	55	3302058	Washer 10	x	x
24	3602005	Blade	x		56	5201012	Idle Pulley	x	x
	6001004	Blade		x	57	5201011	Bushing	x	x
	3602005A	Mulching Blade	x		58	B5787-1035	Bolt M10×35	x	x
	6001008	Mulching Blade		x	59	5201095	Safety board, right	x	
25	5201051	Core Shaft	x	x		6001002	Safety board,		x
26	B1096-B625	Key B6×25	x	x	60	5201049	Bushing	x	x
27	5201043	Safety Guard	x	x	392	B93-6	Washer 6	x	x

Front Frame Assembly

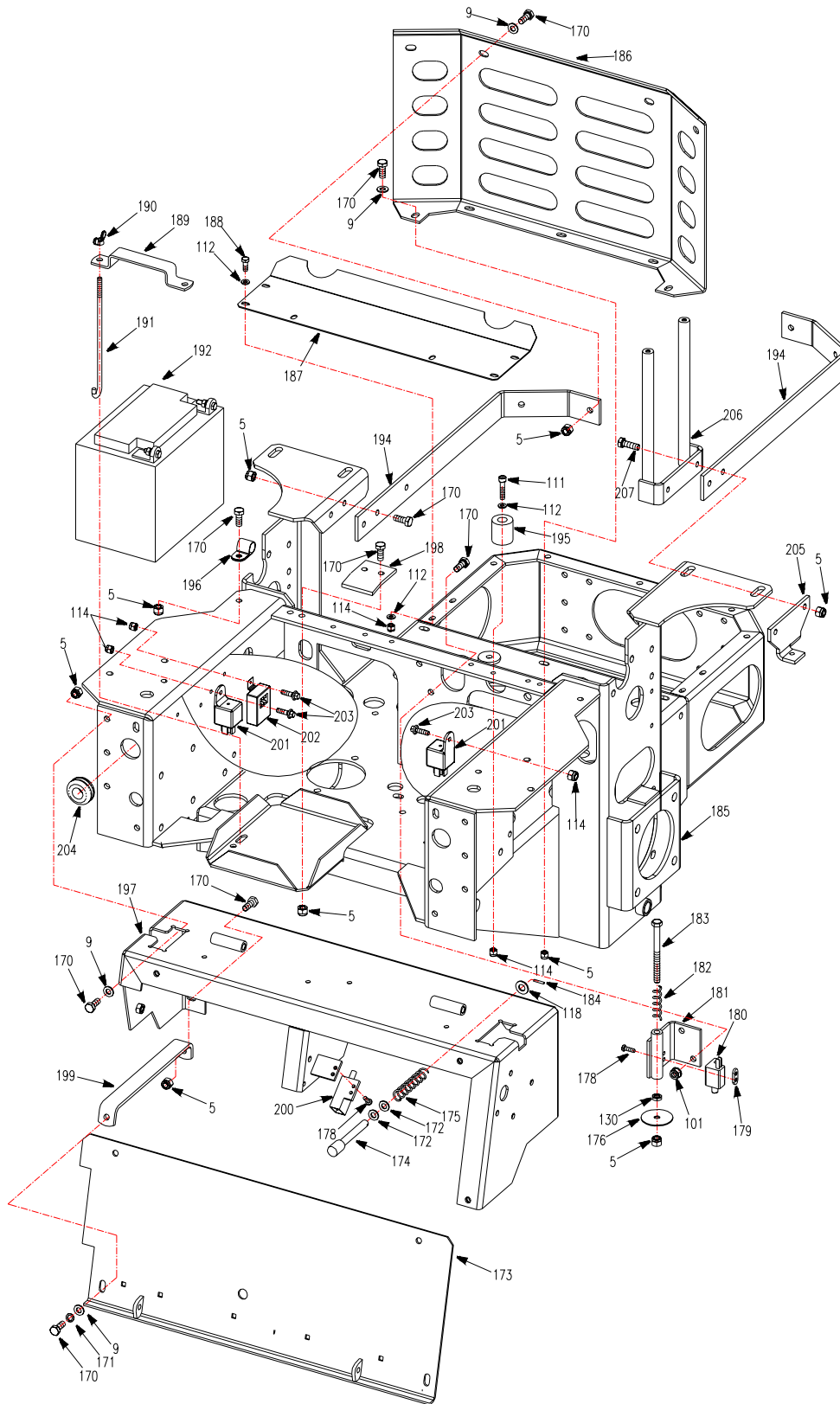




Front Frame Assembly

REF.	PART NO.	DESCRIPTION	52	60	REF.	PART NO.	DESCRIPTION	52	60
6	B5787-825	Bolt M8×25	x	x	112	B97.1-6	Washer 6	x	x
38	B6170-16	Nut M16	x	x	113	5201003	Cushion	x	x
41	B1152-6	Grease Fitting M6	x	x	114	B6182-6	Nut M6	x	x
80	5202009	Dust Cap	x	x	115	B12613-252220	Bushing 25×22×20	x	x
81	B6182-20	Nut M20	x	x	116	5202020	Washer	x	x
82	B1972-A40	Washer A40	x	x	117	B5783-1030	Bolt M10×30	x	x
83	B297-30205	Bearing 30205	x	x	118	B97.1-10	Washer 10	x	x
84	B5783-612	Bolt M6×12	x	x	119	B5783-1035	Bolt M10×35	x	x
85	B13871-B32528	Seal (F) 32×52×8	x	x	120	5202021	Plate	x	x
86	5202150	Caster wheel yoke	x	x	121	5202014	Bushing	x	x
87	5202059	Bolt	x	x	122	5202034	Compressing Spring	x	x
88	B6187-12	Nut M12	x	x	123	5202200	Handle	x	x
89	5202026	Cap	x	x	124	5202013	Axle pin	x	x
90	5202035	Bushing	x	x	125	5202010	Plate	x	x
91	5202036	Seal	x	x	126	5202030	Shaft	x	x
92	5202037	Bearing	x	x	127	5202006	Height Adjustment Plate	x	x
93	5202038	Bushing	x	x	128	5202022	Bushing	x	x
94	5202039	Tire	x	x	129	5202040	Rod	x	x
95	B1153-845	45°Grease Fitting M8	x	x	130	B6172-8	Nut M8	x	x
96	B6172-16	Nut M16	x	x	131	5202032	Handle Grip	x	x
97	B97.1-16	Washer 16	x	x	132	5202033	Push Button	x	x
98	5202003	Rod	x	x	133	B5782-860	Bolt M8×60	x	x
99	5202007	Spring	x	x	134	5202017	Plate	x	x
100	5202008	Washer	x	x	135	B5782-850	Bolt M8×50	x	x
101	B6187-8	Nut M8	x	x	136	5202012	Clip	x	x
102	5202052	U Bolt	x	x	137	B820-610	Screw M6×10	x	x
103	B5783-1045	Bolt M10×45	x	x	138	5202019	Plate	x	x
104	B6187-10	Nut M10	x	x	139	5202031	Height Adjustment Plate	x	x
105	5202051	Chain	x	x	140	5202160	Pedal Weldment	x	x
106	5202002	Shaft	x	x	141	5202164	Bushing	x	x
107	5202180	Arm	x	x	142	5202004	Ring	x	x
108	5202011	Washer	x	x	143	5203907	Cushion	x	x
109	B896-15	Snap Ring 15	x	x	144	5202005	Ribbon	x	x
110	5202100	Front Frame Weldment	x	x	145	5202001	Caster Wheel	x	x
111	B70-630	Screw M6×30	x	x					

Console Frame Assembly

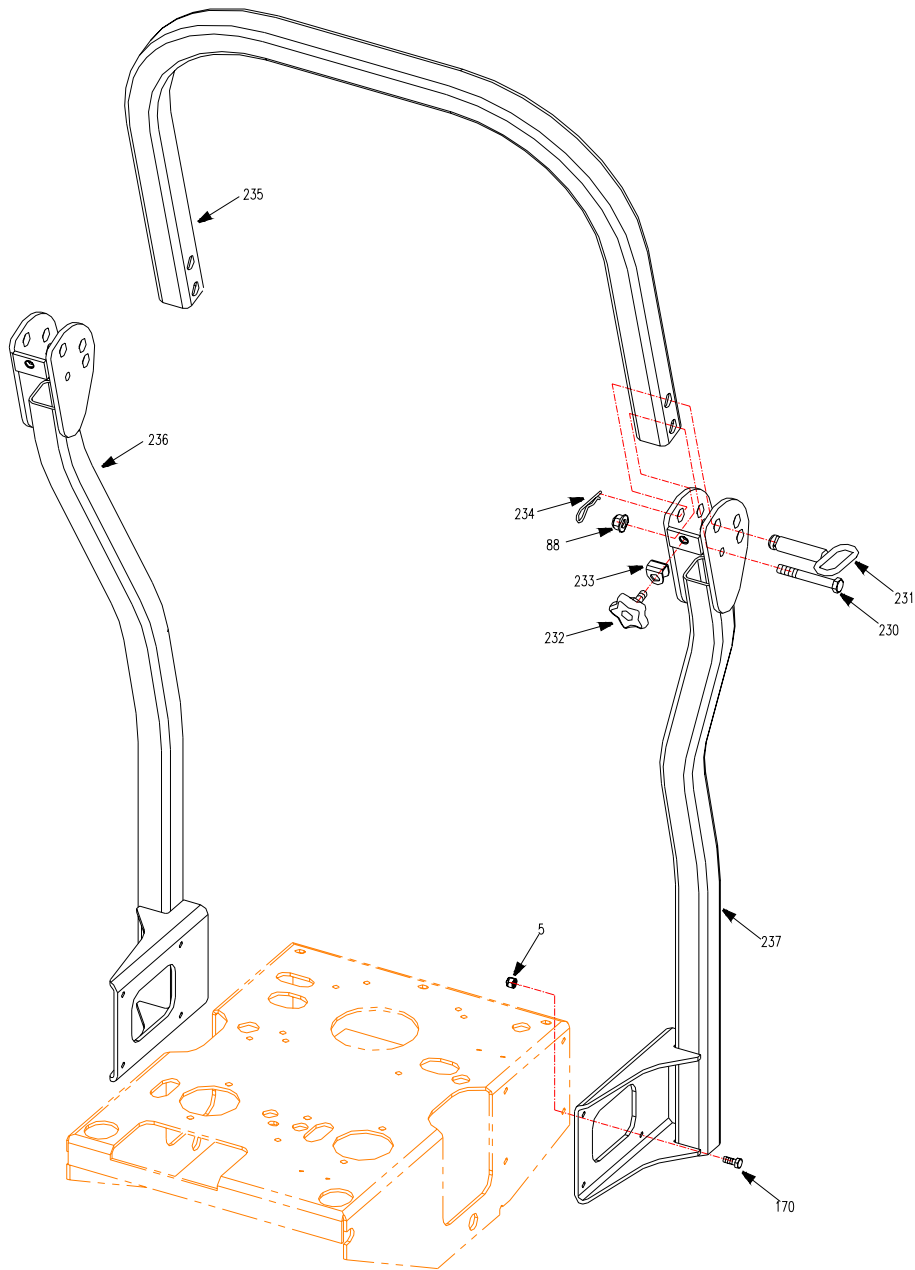




Console Frame Assembly

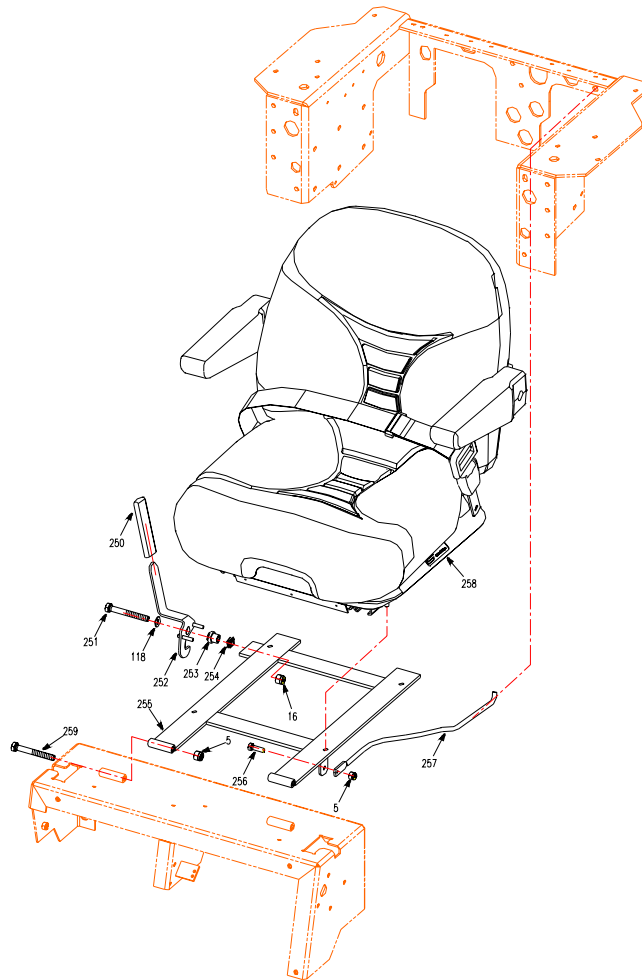
REF.	PART NO.	DESCRIPTION	52	60	REF.	PART NO.	DESCRIPTION	52	60
5	B6182-8	Nut M8	x	x	185	5203001	Console Frame Weldment	x	x
9	B97.1-8	Washer 8	x	x	186	5203909	Board	x	x
101	B6187-8	Nut M8	x	x	187	5203913	Board	x	x
111	B70-630	Screw M6*30	x	x	188	B5783-616	Bolt M6×16	x	x
112	B97.1-6	Washer 6	x	x	189	5208202	Battery Strap	x	x
114	B6182-6	Nut M6	x	x	190	B62-6	Nut M6	x	x
118	B97.1-10	Washer 10	x	x	191	5208203	Rod	x	x
130	B6172-8	Nut M8	x	x	192	5208002	Battery 12V	x	x
170	B5783-820	Bolt M8×20	x	x	194	5203910	Plate	x	x
171	B93-8	Washer 8	x	x	195	5203908	Cushion	x	x
172	5206112	Snap Ring	x	x	196	3601020	Clamp	x	x
173	5203906	Board	x	x	197	5203100	Console Bracket	x	x
174	5203032	Pin	x	x	198	5203904	Cushion	x	x
175	5203031	Spring	x	x	199	5203500	Plate	x	x
176	5208101	Cushion	x	x	200	5208015	Brake switch	x	x
178	B823-516	Screw 15*16	x	x	201	5208011	Relay 12V	x	x
179	5208103	Nut Rack	x	x	202	5208018	Delay Switch	x	x
180	5208012	Pressure Switch	x	x	203	B5787-620	Bolt M6*20	x	x
181	5208102	Pressure Switch Bracket	x	x	204	4LZ2.16.4-04	Plastic Bushing	x	x
182	5208104	Spring	x	x	205	5207018	Plate	x	x
183	B5782-8145	Bolt M8×145	x	x	206	5207030	Fuel Tank Bracket	x	x
184	B879-316	Pin 3×16	x	x	207	B5783-830	Nut M8×30	x	x

Security Bar Assembly



REF.	PART NO.	DESCRIPTION	52	60
5	B6182-8	Nut M8	x	x
88	B6187-12	Nut M12	x	x
170	B5783-820	Bolt M8x20	x	x
230	B5782-1290	Bolt M12x90	x	x
231	5203240	Latch	x	x
232	90000-04-05	Knob	x	x

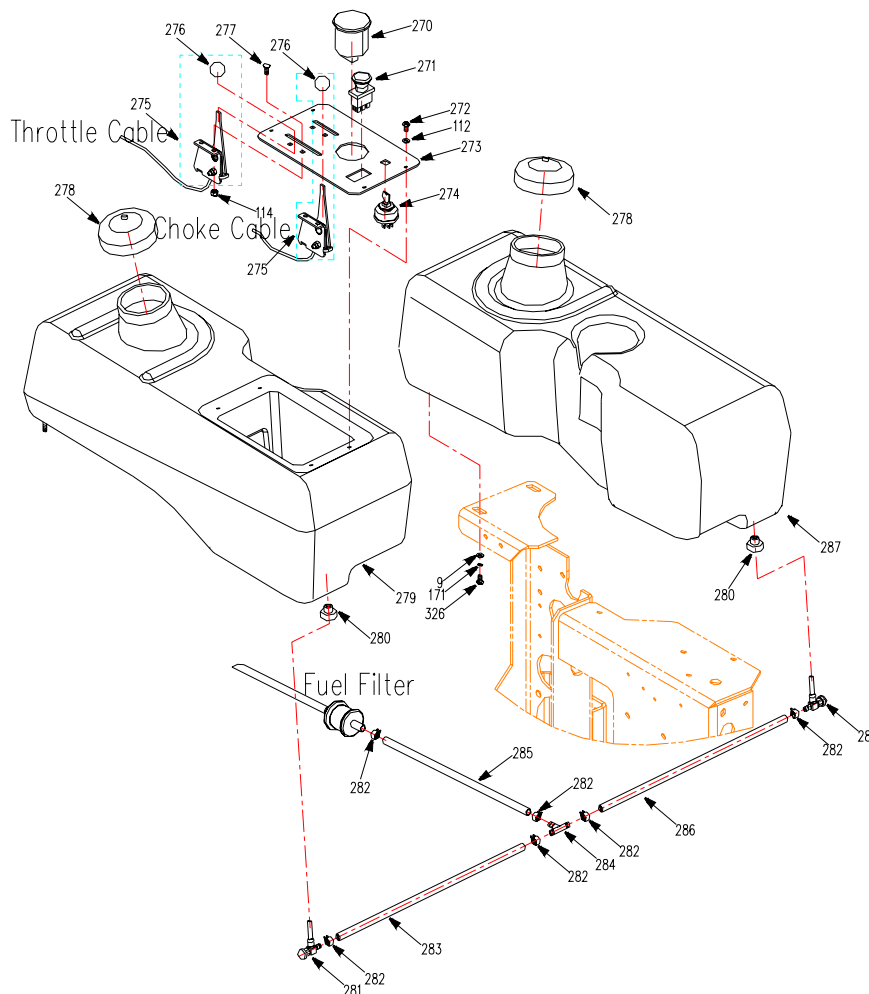
REF.	PART NO.	DESCRIPTION	52	60
233	5203201	Adjustable Cushion	x	x
234	5203203	Hair Pin	x	x
235	5203230	U-Shaped Bar	x	x
236	5203220	Left Arm	x	x
237	5203210	Right Arm	x	x



REF.	PART NO.	DESCRIPTION	52	60
5	B6182-8	Nut M8	x	x
16	B6182-10	Nut M10	x	x
118	B97.1-10	Washer 10	x	x
250	3306002	Handle Grip	x	x
251	B5782-1080	Bolt M10×80	x	x
252	5203380	Adjusting lever	x	x
253	5203336	Bushing	x	x

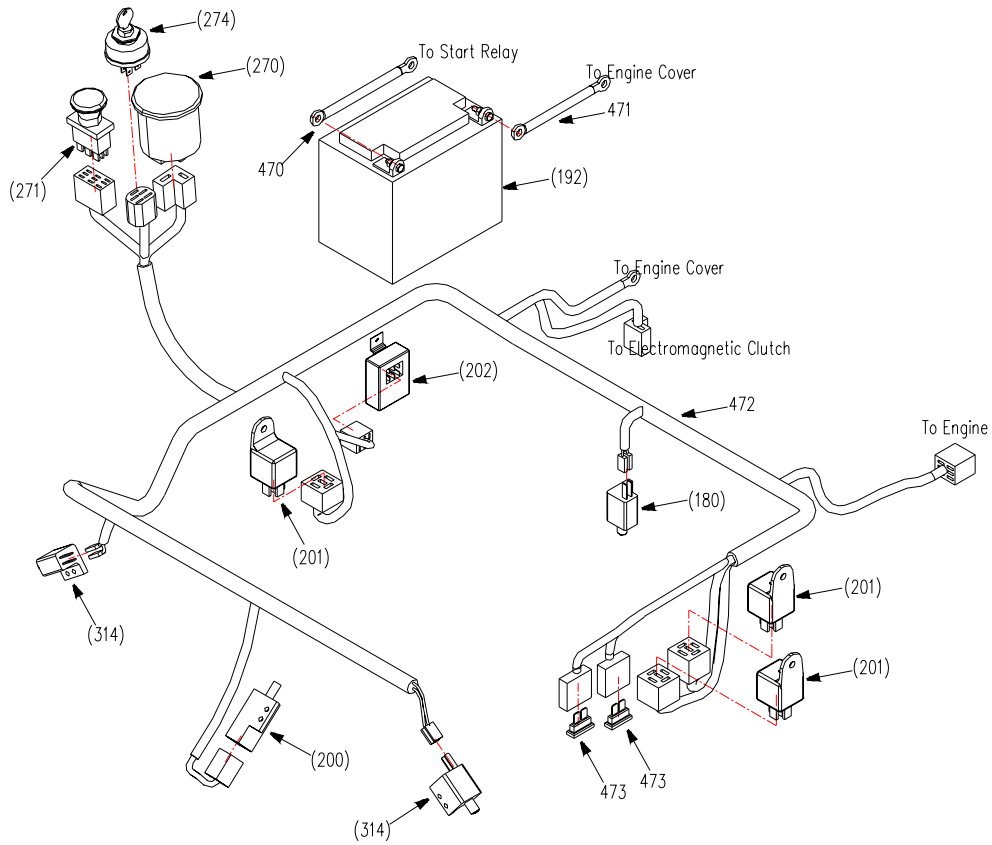
REF.	PART NO.	DESCRIPTION	52	60
254	5203332	Torsion Spring	x	x
255	5203301	Seat Bracket Assembly	x	x
256	B5783-825	Bolt M8×25	x	x
257	5203392	Hook Rod	x	x
258	5203390	Seat	x	x
259	B5782-8120	Bolt M8*120	x	x

Fuel Tank Assembly



REF.	PART NO.	DESCRIPTION	52	60
9	B97.1-8	Washer 8	×	×
112	B97.1-6	Washer 6	×	×
114	B6182-6	Nut M6	×	×
171	B93-8	Washer 8	×	×
270	5208006	Stop Watch	×	×
271	5208022	Blade Control Switch	×	×
272	B67-612	Screw M6×12	×	×
273	5204011	Switch Bracket	×	×
274	5208003	Ignition Switch	×	×
275	3306004	Throttle Control Assembly	×	×
276	3306030	Knob	×	×
277	B801-616	Bolt M6×16	×	×

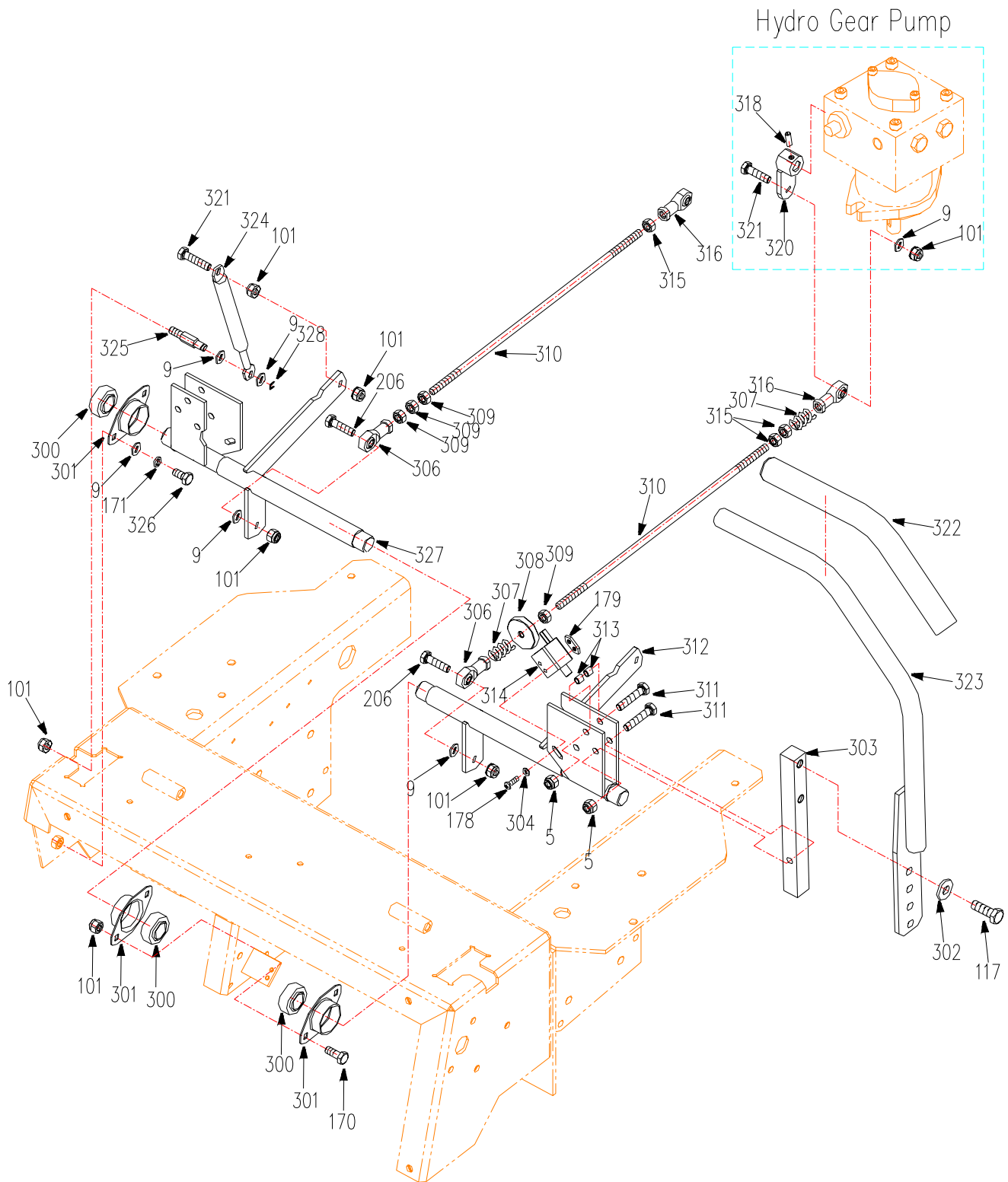
REF.	PART NO.	DESCRIPTION	52	60
278	4805005	Gas Cap	×	×
279	5204012	Fuel Tank-RH	×	×
280	3307023	Bushing Fuel Tank	×	×
281	3307024	Fuel Tank Shut-Off	×	×
282	5204004	Hose Clamp 12	×	×
283	5204003	Fuel Line 1	×	×
284	5204006	Switch Linkage	×	×
285	5204005	Fuel Line2	×	×
286	5204009	Fuel Line3	×	×
287	5204014	Fuel Tank-LH	×	×
326	B5783-816	Bolt M8×16	×	×



REF.	PART NO.	DESCRIPTION	52	60
180	5208012	Pressure Switch	x	x
192	5208002	12V Battery	x	x
200	5208015	Parking Brake Switch	x	x
201	5208011	12V Relay	x	x
202	5208018	Seat Delay Switch	x	x
270	5208006	Stop watch	x	x
271	5208022	Blade Switch	x	x

REF.	PART NO.	DESCRIPTION	52	60
274	5208003	Ignition Switch Assembly	x	x
314	2808005	Blade Switch	x	x
470	5208017	Positive Pole (+)	x	x
471	5208013	Negative Pole (-)	x	x
472	5208001	Wiring Harness	x	x
473	5208007	Fuse (15A)	x	x

Drive Assembly



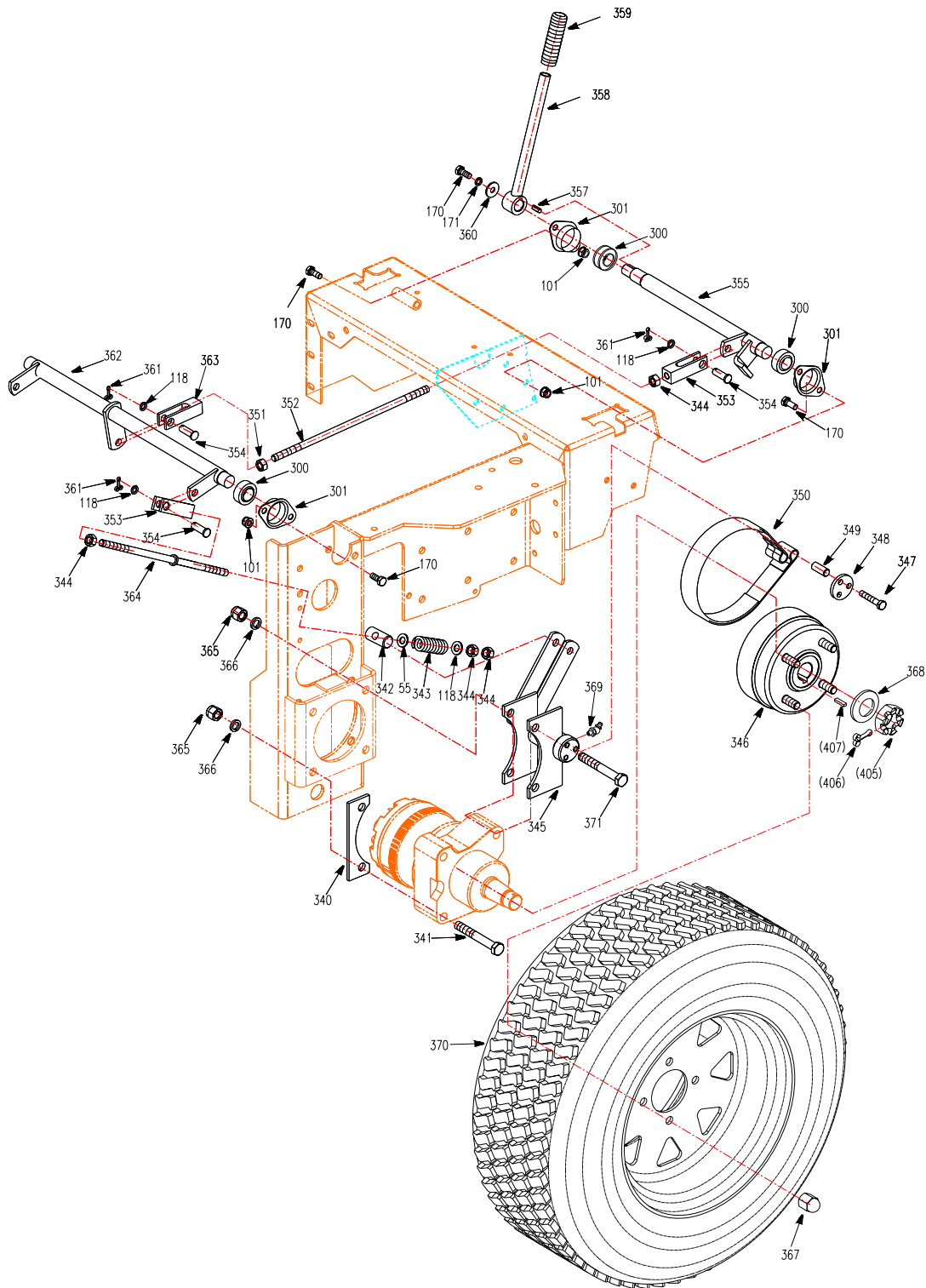


Drive Assembly

REF.	PART NO.	DESCRIPTION	52	60
9	B97.1-8	Washer 8	x	x
101	B6187-8	Nut M8	x	x
117	B5783-1030	Bolt M10×30	x	x
170	B5783-820	Bolt M8×20	x	x
171	B93-8	Washer 8	x	x
178	B823-516	Screw M5×16	x	x
179	5208103	Nut Bracket	x	x
206	B5783-830	Bolt M8×30	x	x
300	B9163-20	Bearing GE20ET	x	x
301	5205002	Spindle Housing	x	x
302	5201061	Washer	x	x
303	5205009	Square	x	x
304	B97.1-5	Washer 5	x	x
306	5205016	Bearing SIBJK8S	x	x
307	5205003	Spring	x	x
308	5205015	Adjusting Nut	x	x
309	B6171-8	Nut M8	x	x
310	5205010	Connecting Rod	x	x

REF.	PART NO.	DESCRIPTION	52	60
311	B5782-840	Bolt M8×40	x	x
312	5205050	Control Arm –LH	x	x
313	5205019	Bushing	x	x
314	2808005	Blade Switch	x	x
315	B6171-8L	Nut M8×1(Levo)	x	x
316	5205017	Bearing SILBJK8S (LH)	x	x
318	B879-525	Pin 5×25(Hydro Gear)	x	x
320	5205011	Connecting Arm	x	x
321	B5783-835	Bolt M8×35	x	x
322	5205001	Handle Grip	x	x
323	5205080	Control Lever	x	x
324	5205012	Damper	x	x
325	5205004	Connecting Rod	x	x
326	B5783-816	Bolt M8×16	x	x
327	5205030	Control Arm –RH	x	x
328	B896-5	Snap Ring 5	x	x

Brake System





Brake System

REF.	PART NO.	DESCRIPTION	52	60
55	3302058	Washer 10	x	x
101	B6187-8	Nut M8	x	x
118	B97.1-10	Washer10	x	x
170	B5783-820	Bolt M8x20	x	x
171	B93-8	Washer 8	x	x
300	B9163-20	Bearing GE20ET	x	x
301	5205002	Spindle Housing	x	x
340	5206010	Cushion	x	x
341	B5782-1270	Bolt M12x70	x	x
342	5206006	Bushing	x	x
343	5206005	Spring	x	x
344	B6171-10	Nut M10x1	x	x
345	5206140	Brake Arm	x	x
346	5206090	Brake Drum	x	x
347	B5782-845	Bolt M8x45	x	x
348	5206008	Cushion	x	x
349	5206007	Pipe	x	x
350	5206100	Brake Strap	x	x
351	B6171-10L	Bolt M10x1, Levo	x	x
352	5206004	Haul Rod	x	x

REF.	PART NO.	DESCRIPTION	52	60
353	5206003	Connecting Yoke	x	x
354	B882-1030	Pin Shaft B10x30	x	x
355	5206050A	Brake Control Rod	x	x
357	B1096-518	Square key 5x18	x	x
358	5206001	Brake Lever	x	x
359	5206002	Brake Lever Grip	x	x
360	B96-8	Washer 8	x	x
361	B91-3218	Cotter Pin 3.2x18	x	x
362	5206120	Connection Rod	x	x
363	5206009	Connecting Yoke, Levo	x	x
364	5206110	Connecting Screw	x	x
365	B6182-12	Nut 12	x	x
366	B7244-12	Washer 12	x	x
367	5200001	Nut	x	x
368	5206011	Washer.	x	x
369	B1153-645	45°Grease fitting M6	x	x
370	5200001	Tire	x	x
371	B5782-1280	Bolt M12x70	x	x
405	5207051	Bolt	x	x
406	B91-445	Cotter Pin 4x45	x	x
407	5207052	Key	x	x

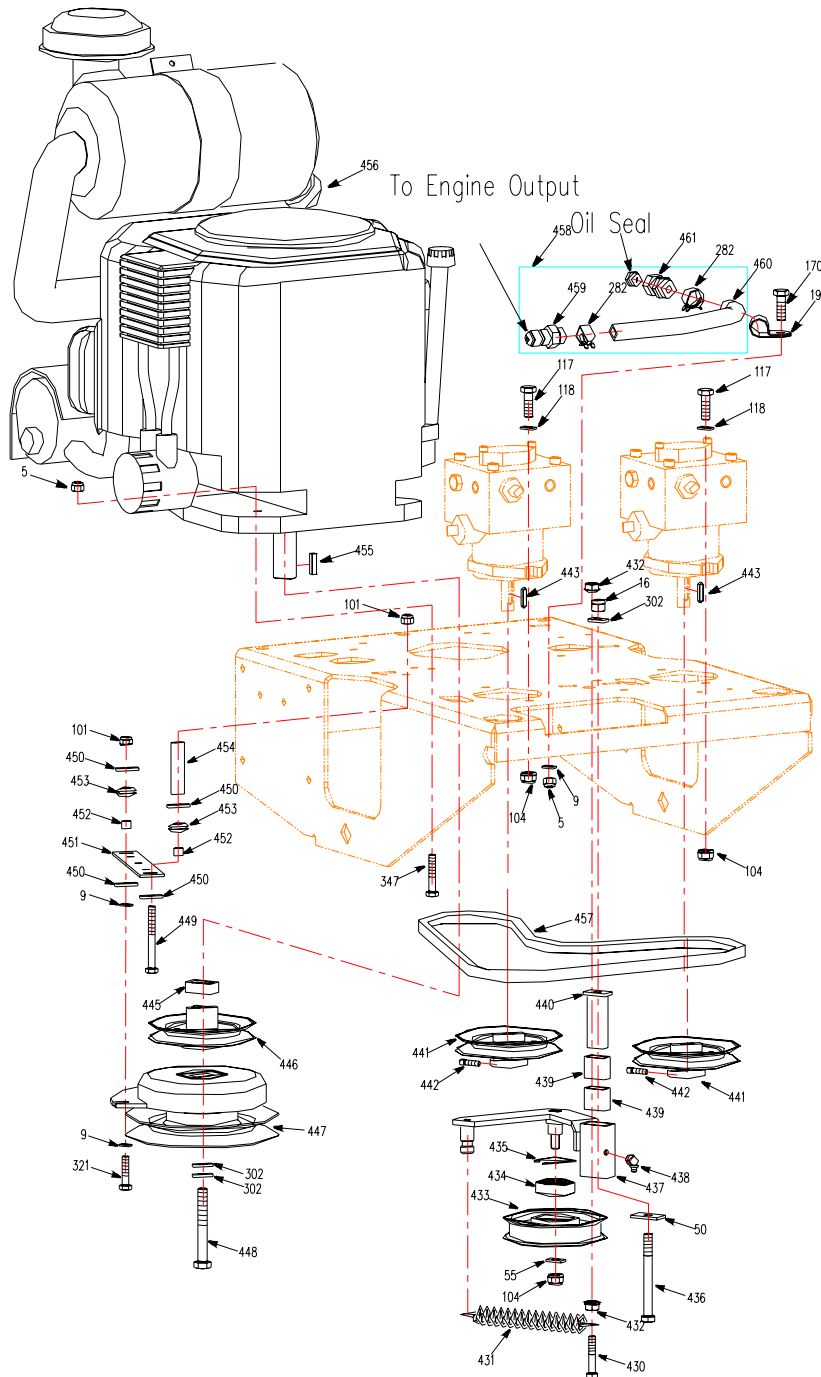


Hydraulic System

REF.	PART NO.	DESCRIPTION	52	60
101	B6187-8	Nut M8	x	x
112	B97.1-6	Washer 6	x	x
170	B5783-820	Bolt M8x20	x	x
188	B5783-616	Bolt M6x16	x	x
205	5207018	Plate	x	x
207	5207030	Fluid Tank Bracket	x	x
380	QUQI	Air Filter	x	x
381	B5783-625	Bolt M6x25	x	x
382	5207100	Hydraulic Filter	x	x
383	5207091	Fluid Tank	x	x
384	5207045	Hydraulic Valve-inlet	x	x
385	B8870-16	Clamp 10~16	x	x
386	5207010	Oil hose, left Pump To left Motor	x	x
387	5207046	Oil Tank Valve-output	x	x
388	B8870-19	Clamp 13~19	x	x
389	5207002	Hydraulic Oil Output Hose	x	x
390	5207102	Adjustable Filter	x	x
391	5207101	Fitter Oil Connector (R3/4")	x	x
392	B93-6	Washer 6	x	x
393	5207014	Motor Connector (Hydro Gear)	x	x
394	5207013	Oil hose, left Pump To left Motor	x	x

REF.	PART NO.	DESCRIPTION	52	60
395	5207050	Motor	x	x
396	5207001	Hose	x	x
397	5207011	Rear Oil Hose	x	x
		Right Pump To Right Motor		
398	5207009	Fore oil Hose	x	x
		Right Pump To Right Motor		
399	5207012	Motor Connector, RH	x	x
400	SAE 3-906	O—Ring	x	x
401	SAE 3-908	O--Ring	x	x
402	SAE 3-910	O-Ring	x	x
403	5207007	Connector	x	x
404	5207006	Connector	x	x
405	5207051	Bolt	x	x
406	B91-445	Cotter Pin 4x450.	x	x
407	5207052	Key	x	x
408	5207060	Pump	x	x
409	5207008	Connector	x	x
410	5207005	Oil Return Hose	x	x

Driving System





Driving System

REF.	PART NO.	DESCRIPTION	52	60
5	B6182-8	Nut M8	x	x
9	B97.1-8	Washer 8	x	x
16	B6182-10	Nut M10	x	x
50	5201067	Spacer	x	x
55	3302058	Washer 10	x	x
101	B6187-8	Nut M8	x	x
104	B6187-10	Nut M10	x	x
117	B5783-1030	Bolt M10×30	x	x
118	B97.1-10	Washer 10	x	x
170	B5783-820	Bolt M8×20	×	×
196	3601020	Clamp	×	×
282	B8870-16	Hose Clamp 10-16	×	×
302	5201061	Washer	x	x
321	B5783-835	Bolt M8×35	x	x
347	B5782-845	Bolt M8×45	x	x
430	B5782-1045	Bolt M10×45	x	x
431	5207015	Idler Pulley Spring	x	x
432	B6177-10	Nut M10	x	x
433	3302056	Blade Idler Pulley	x	x
434	B276-6303RS	Bearing 6303-2RS	x	x
435	B893.2-47	Spacer 47	x	x
436	B5782-10100	Bolt M10×100	x	x
437	5207082A	Shift Arm	x	x

REF.	PART NO.	DESCRIPTION	52	60
438	B1153-690	90°Grease Fitting M8	x	x
439	B2685-25322	Bearing 25E8×32×25	x	x
440	5207081	Bushing	x	x
441	5207070	Pump Pulley	x	x
442	B84-620	Screw M6×20	x	x
443	B1096-525	Key 5×25	x	x
445	5203403A	Bushing	x	x
446	5203402	Pump Drive Pulley	x	x
447	5203404	Electromagnetic Clutch	x	x
448	5203412A	Bolt 7/16-20UNF*3	x	x
449	B5782-8100	Bolt M8×100	x	x
450	5203408	Washer	x	x
451	5203411	Plate	x	x
452	5203409	Bushing	x	x
453	5203410	17 Rubber Washer	x	x
454	5203407	Bushing	x	x
455	5203405	Key 6.35×25	x	x
456	5203401	KOHLER Engine	x	x
	5203401B	KAWASAKI Engine	x	x
457	5207016	Belt, Engine to Pump	x	x
458	5203416	Hose	×	×
459	5203417	Connector	×	×
460	5203415	Hose	×	×
461	5203418	Connector	×	×

Safety / Operation And Product Decals



WARNING

- Do not touch the blades or deck.
- Do not touch the discharge deflector or the grass collection system.
- Do not touch the mulch chute or the mulch collector.
- Do not touch the discharge deflector or the grass collection system.
- Do not touch the mulch chute or the mulch collector.
- Do not touch the discharge deflector or the grass collection system.
- Do not touch the mulch chute or the mulch collector.
- Do not touch the discharge deflector or the grass collection system.
- Do not touch the mulch chute or the mulch collector.

WARNING

- Do not touch the blades or deck.
- Do not touch the discharge deflector or the grass collection system.
- Do not touch the mulch chute or the mulch collector.
- Do not touch the discharge deflector or the grass collection system.
- Do not touch the mulch chute or the mulch collector.
- Do not touch the discharge deflector or the grass collection system.
- Do not touch the mulch chute or the mulch collector.
- Do not touch the discharge deflector or the grass collection system.
- Do not touch the mulch chute or the mulch collector.

WARNING

- Do not touch the blades or deck.
- Do not touch the discharge deflector or the grass collection system.
- Do not touch the mulch chute or the mulch collector.
- Do not touch the discharge deflector or the grass collection system.
- Do not touch the mulch chute or the mulch collector.
- Do not touch the discharge deflector or the grass collection system.
- Do not touch the mulch chute or the mulch collector.
- Do not touch the discharge deflector or the grass collection system.
- Do not touch the mulch chute or the mulch collector.

470

WARNING

DO NOT OPERATE WITHOUT DISCHARGE DEFLECTOR/ENTIRE GRASS COLLECTION SYSTEM? OR MULCH KIT IN PLACE. DO NOT REMOVE GRASS CATCHER UNTIL BLADES HAVE STOPPED.

471

WARNING

Battery contains sulfuric acid. Avoid contact and always shield eyes, face, skin and clothing from battery. Cigarettes, flames or sparks could cause battery to explode. Do not charge or use booster cables or adjust post connections without proper training. In event of an accident flush with water and call a physician immediately. Keep out of reach of children.

DRIVE WHEEL RELEASE

Use 5/8 wrench
One turn counter-clockwise to release
Do not over-tighten

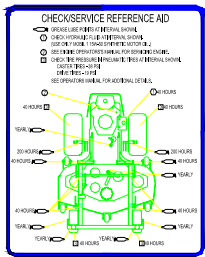
CAUTION

DO NOT OPERATE WITHOUT GUARD IN PLACE

ANGER

To avoid serious injury or death:
● Avoid blades unless engine and blades are stopped.

472



WARNING

TO AVOID INJURY OR DEATH FROM ROLLERS, they will not roll over the top of the roller and cause the roller to flip down.

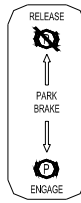
● THERE IS NO ROLL OVER PROTECTION WHEN THE ROLLER BAR IS DOWN.

● Do not touch the roller bar when it is down.

● Do not touch the roller bar when it is down.

● Do not touch the roller bar when it is down.

● Do not touch the roller bar when it is down.



477

CAUTION

MUFFLER AND SHIELDS MAY EXCEED 150°F

473

ANTI-SCALP ROLLER ADJUSTMENT

FOR NORMAL OPERATING CONDITIONS, PLACE ROLLERS IN POSITIONS SHOWN FOR 34(1/8) GROUND CLEARANCE.

CUTTING HEIGHT INCHES (mm)

18(51)
22(56)
26(66)
30(76)

FOR MAXIMUM FLOTATION, ROLLERS MAY BE POSITIONED LOWER, BUT NOT LOWER THAN A MINIMUM OF 1/4" GROUND CLEARANCE. NEVER POSITION THE ROLLERS TO SUPPORT THE MOWER DECK.

478

DANGER

COVERS MUST BE CLOSED TO OPERATE THIS UNIT WHEN COVER IS NOT IN PLACE

474

WARNING

- Hot oil components may ignite fuel or debris.
- Fire or explosion may occur, resulting in property damage, personal injury or death.
- Do not operate without engine without system in place and in proper working condition.

HYDRAULIC OIL USE ONLY
MOBIL SAE 15W-50
SYNTHETIC ENGINE OIL
MULTI-TYPE OILS ARE NOT RECOMMENDED

CAUTION

HOT SURFACE

479

480

NO STEP

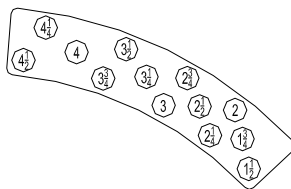
475

476

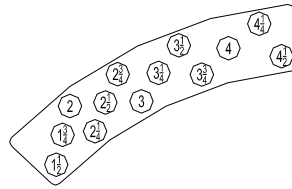
481

482

483



484



485

CAUTION

- Loose or Damaged Blade Bolt may allow blade to come out from under deck at HIGH SPEED.
- Replace Blade Bolt after striking a foreign object.
- Torque Blade Bolt to 115-120 FT-LBS(158-163N m).

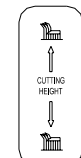
SEE OPERATOR'S MANUAL

486



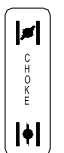
487

WORLDLAWN



488

489



490



491

52

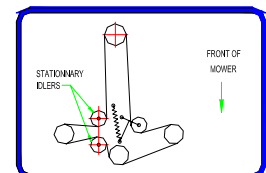
492

60

495



493



494

Safety / Operation And Product Decals



REF.	PART NO.	DESCRIPTION	52	60	REF.	PART NO.	DESCRIPTION	52	60
470	8301	Decal, Warning	x	x	483	8304	Decal	x	x
471	8307	Decal, Warning	x	x	484	8321	Decal	x	x
472	8319	Decal, Warning	x	x	485	8302	Decal	x	x
473	8303	Decal, Caution	x	x	486	8308	Decal, Caution	x	x
474	8325	Decal, Danger	x	x	487	8312	Decal	x	x
475	8320	Decal	x	x	488	8300	Decal	x	x
476	8315	Decal, Caution	x	x	489	8323	Decal	x	x
477	8322	Decal	x	x	490	8313	Decal	x	x
478	8310	Decal	x	x	491	8314	Decal	x	x
479	8317	Decal, Warning	x	x	492	8326	Decal, 52"	x	
480	8316	Decal	x	x	493	8324	Decal, 52"	x	x
481	8318	Decal, Caution	x	x	494	8309	Decal	x	x
482	8305	Decal, Danger	x	x	495	8327	Decal		x



WORLDLAWN®

Worldlawn Power Equipment, Inc.

422 Turnbull Canyon Road, City of Industry, CA 91744

Phone: (626) 934-8552

Fax: (626) 934-8162

E-mail: worldlawnmower@adelphia.net