

Parts Catalog



WORLDLAWN®

WYZ48/ 52/60

Zero Turn Mower



Worldlawn Power Equipment, Inc.

422 Turnbull Canyon Road City of Industry CA 91744

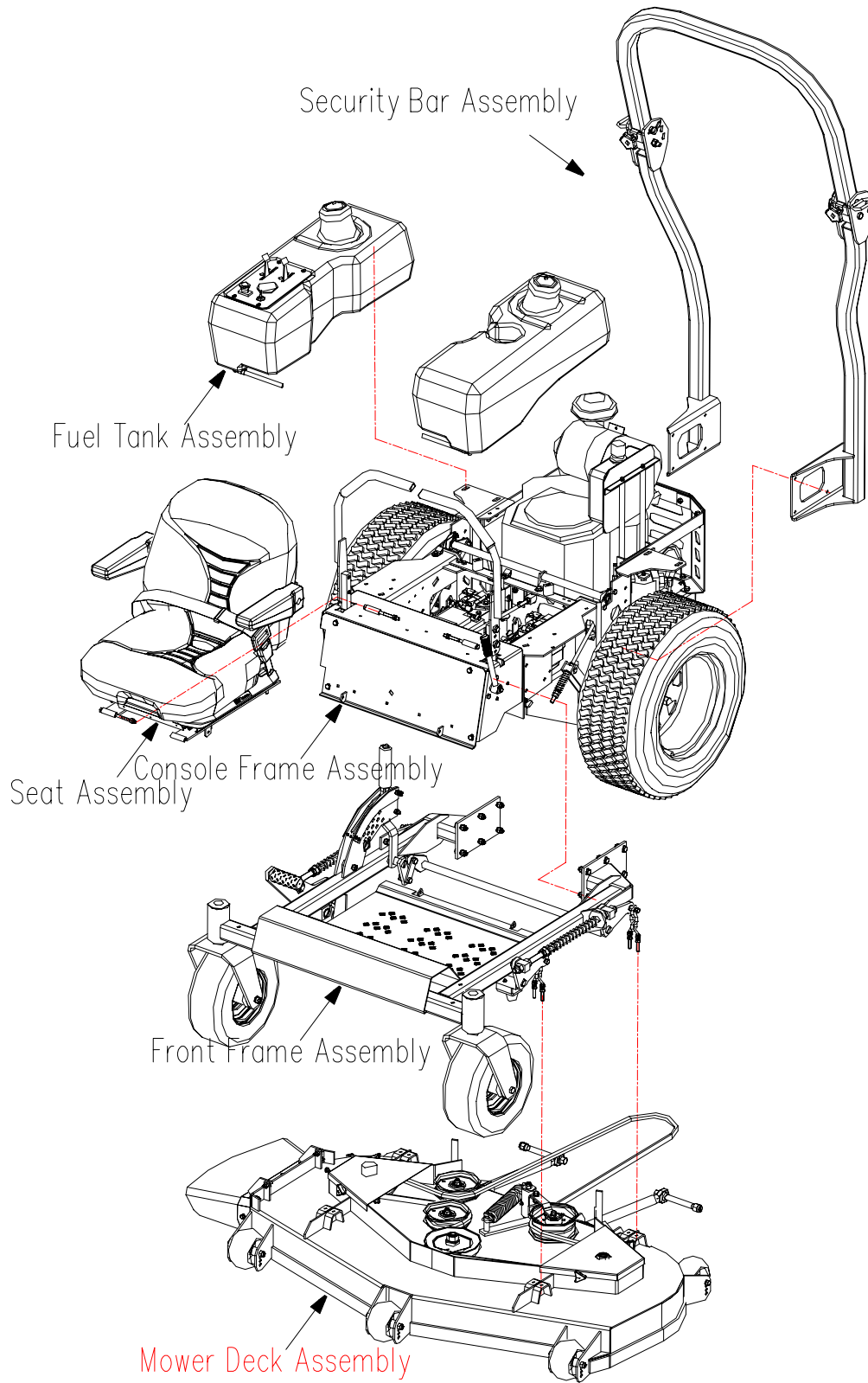
Toll Free Number: 1-866-9-Mowers(1-866-966-9377)

Content

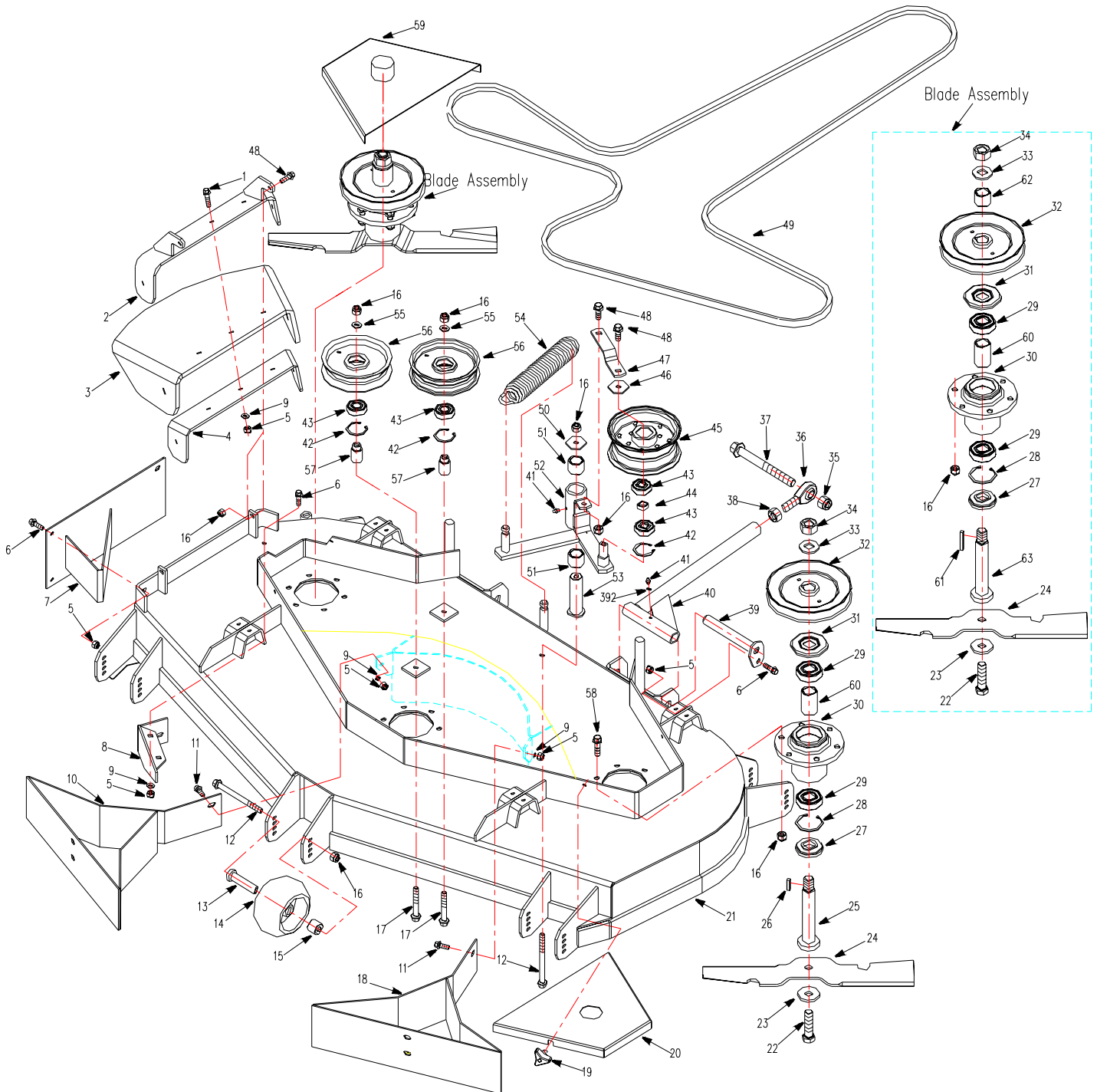


Content

Mower Assembly.....	1
Mower Deck Assembly.....	2
Front Frame Assembly.....	4
Console Frame Assembly.....	6
Security Bar Assembly.....	8
Seat Assembly.....	9
Fuel Tank Assembly.....	10
Electric System	11
Drive Assembly.....	12
Brake System.....	14
Hydraulic System.....	16
Driving System.....	18
Safety / Operation And Product Decal.....	20



Mower Deck Assembly

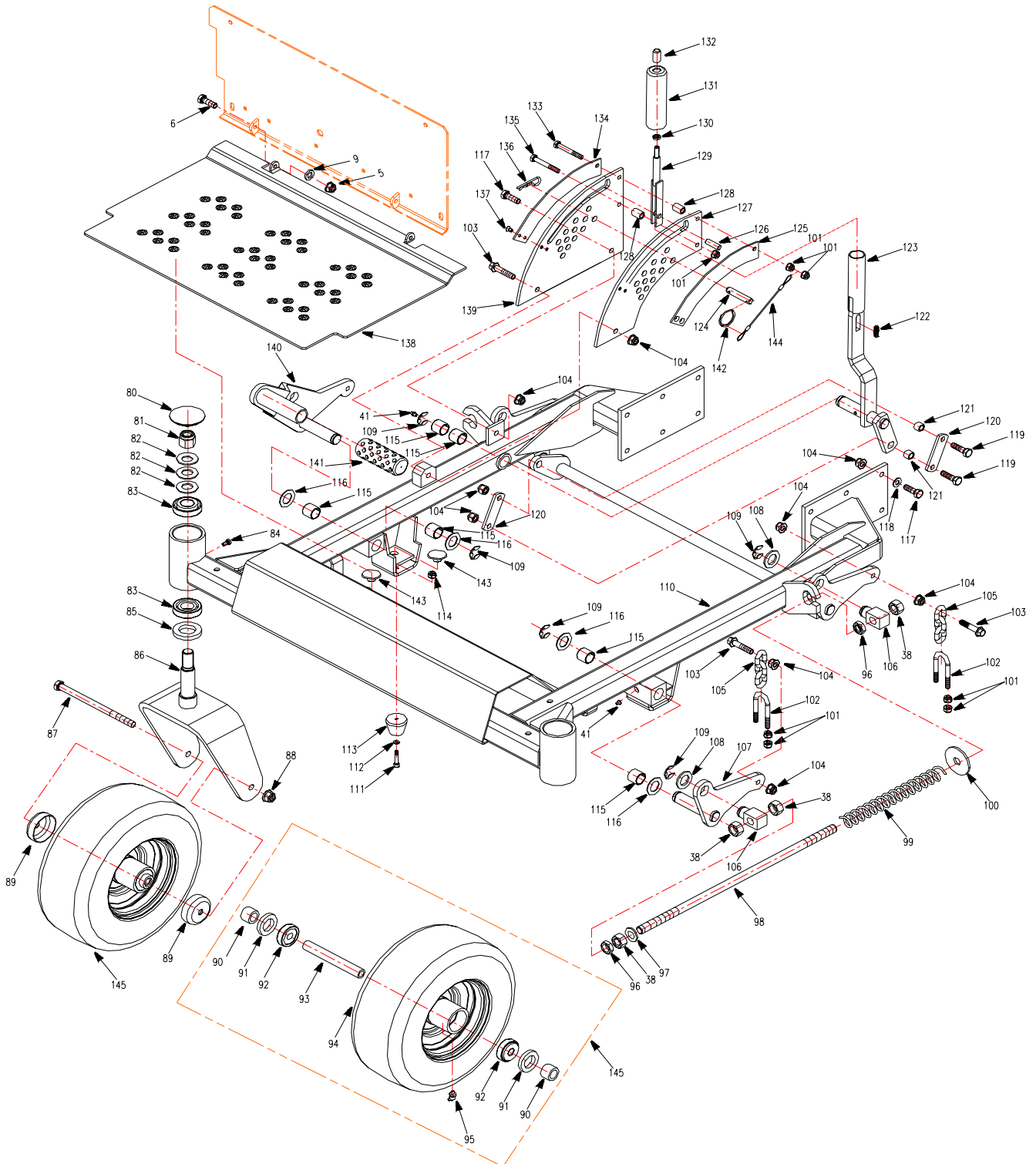




Mower Deck Assembly

REF.	PART NO.	DESCRIPTION	48	52	60	REF.	PART NO.	DESCRIPTION	48	52	60
1	B5787-830	Hex Hd Bolt M8×30		x	x	29	B276-6205RS	Bearing 6205-2RS	x	x	x
	B818-830	“+”Screw M8×30	x			30	5201050	Spindle Housing	x	x	x
2	6001054	Outer Bracket, Discharge Chute		x	x	31	5201044	Safety Guard	x	x	x
	4801040	Fixed Bracket	x			32	5201045	Blade Pulley	x	x	
3	6001053	Discharge Chute(Plastic)		x	x		6001070	Blade Pulley			x
	4801032	Discharge Chute	x			33	5201048	Washer 2	x	x	x
4	6001052	Inner Bracket,		x	x	34	B6171-20	Nut M20×1.5	x	x	x
	4801031	Bracket, Discharge Chute	x			35	B6187-16	Nut M16	x	x	x
5	B6182-8	Nut M8	x	x	x	36	SABJK16C	Bearing SABJK16C	x	x	x
6	B5787-825	Hex Hd Bolt M8×25	x	x	x	37	B5787-16150	Hex Hd BoltM16×150	x	x	x
7	5201280	Mulching Plate 3		x		38	B6170-16	Nut M16	x	x	x
	4821070	Mulching Plate 3	x			39	5201055	Axle Pin Weldment	x	x	x
8	5201098	Grass Board		x	x	40	5201091	Support Pole	x	x	
	4801200A	Grass Board	x				6001061	Support Pole			x
9	B97.1-8	Washer 8	x	x	x	41	B1152-6	Grease Fitting M6	x	x	x
10	5201275	Mulching Plate 2		x		42	B893.1-40	Snap Ring 40	x	x	x
	4821080	Mulching Plate 2	x			43	B276-6203RS	Bearing 6203-2RS	x	x	x
11	B5787-820	Hex Hd Bolt M8×20	x	x	x	44	5201077	Bushing	x	x	x
12	B5787-10120	Hex Hd Bolt M10×120	x	x	x	45	5201064	Idler Pulley	x	x	x
13	5201082	Caster Wheel Bushing	x	x	x	46	5201078	Spacer	x	x	x
14	5201081	Caster Wheel	x	x	x	47	5201062	Linking Plate	x	x	x
15	3602014	Bushing	x	x	x	48	B5787-1025	Hex Hd Bolt M10×25	x	x	x
16	B6182-10	Nut M10	x	x	x	49	5201008	Blade Drive Belt		x	
17	B5787-1070	Hex Hd Bolt M10×70	x	x	x		6001001	Blade Drive Belt			x
18	5201270	Mulching Plate 1		x			4821002	Blade Drive Belt	x		
	4821090	Mulching Plate 1	x			50	5201067	Spacer	x	x	x
19	3302190	Knob	x	x	x	51	B2685-253225	Bearing 25E8×32×25	x	x	x
20	5201261	Safety Board, Left		x		52	5201068	Idler Fixed Seat	x	x	x
	6001002	Safety Board, Left			x	53	5201066	Bushing	x	x	x
21	5201240	Mower Deck		x		54	5201002	Idler Pulley Spring	x	x	x
	6001100	Mower Deck			x	55	3302058	Spacer 10	x	x	x
	4821040	Mower Deck	x			56	5201012	Idler Pulley	x	x	x
22	B5785-161560	Bolt M16×1.5×60	x	x	x	57	5201011	Bushing	x	x	x
23	5201042	Washer 1	x	x	x	58	B5787-1035	Hex Hd Bolt M10×35	x	x	x
24	3602005	Blade		x		59	5201104	Safety board, right		x	
	6001004	Blade			x		6001007	Safety board, right			x
	4801401	Blade	x				4821100	Safety board	x		
	3602005A	Mulching Blade		x		60	5201049	Bushing	x	x	x
	4801401A	Mulching Blade	x			61	B1096-B656	Key B6×56	x	x	x
25	5201051	Core Shaft	x	x	x	62	5201079	Bushing	x	x	x
26	B1096-B625	Key B6×25	x	x	x	63	5210005	Core Shaft	x	x	x
27	5201043	Safety Guard	x	x	x	392	B93-6	Washer 6	x	x	x
28	B893-52	Snap Ring 52	x	x	x						

Front Frame Assembly



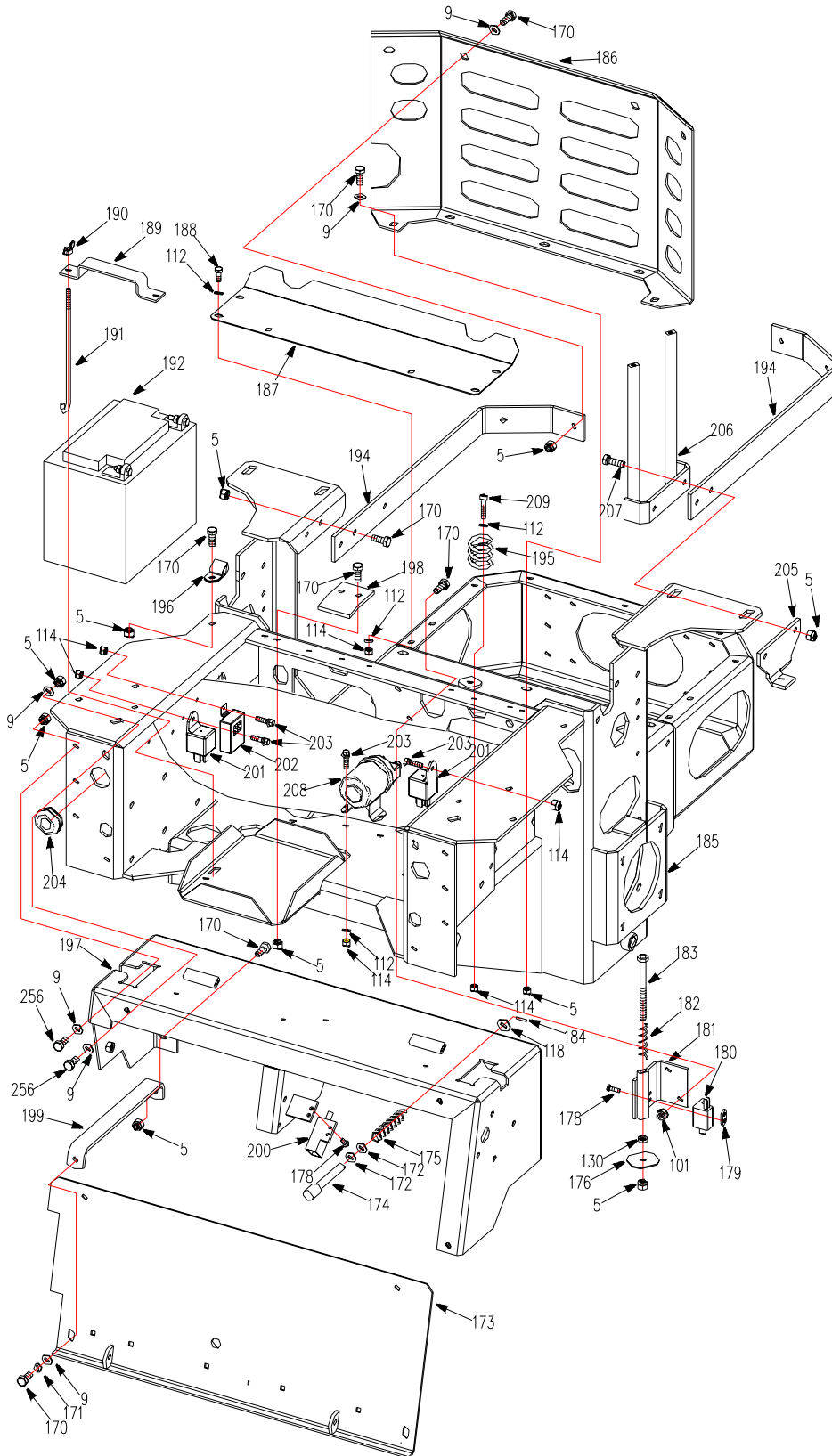


Front Frame Assembly

REF.	PART NO.	DESCRIPTION	48	52	60
6	B5787-825	Hex Hd Bolt M8×25	x	x	x
5	B6182-8	Nut M8	x	x	x
9	B97.1-8	Washer 8	x	x	x
38	B6170-16	Nut M16	x	x	x
41	B1152-6	Grease Fitting M6	x	x	x
80	5202009	Dust Cap	x	x	x
81	B6182-20	Nut M20	x	x	x
82	B1972-A40	Wing Washer A40	x	x	x
83	B297-30205	Bearing 30205	x	x	x
84	B5783-612	Bolt M6×12	x	x	x
85	B13871-B32528	Seal (F) B32×52×8	x	x	x
86	5202150	Caster Wheel Yoke	x	x	x
87	5202029	Bolt	x	x	x
88	B6187-12	Nut M12	x	x	x
89	5202026	Cap	x	x	x
90	5202035	Bushing	x	x	x
91	5202036	Seal	x	x	x
92	5202037	Bearing	x	x	x
93	5202038	Long Tube	x	x	x
94	5202039	Tire	x	x	x
95	B1153-845	45°Grease Fitting M8	x	x	x
96	B6172-16	Nut M16	x	x	x
97	B97.1-16	Washer 16	x	x	x
98	5202003	Adjusting Screw	x	x	x
99	5202007	Long Spring	x	x	x
100	5202008	Washer	x	x	x
101	B6187-8	Nut M8	x	x	x
102	5202052	U Bolt	x	x	x
103	B5783-1045	Bolt M10×45	x	x	x
104	B6187-10	Nut M10	x	x	x
105	5202051	Chain	x	x	x
106	5202002	Connection Shaft	x	x	x
107	5202180	Shift Arm, LH	x	x	x
108	5202011	Washer	x	x	x
109	B896-15	Snap Ring 15	x	x	x
110	5202100	Front Frame Weldment	x	x	x

REF.	PART NO.	DESCRIPTION	48	52	60
111	B70-630	Screw M6×30	x	x	x
112	B97.1-6	Washer 6	x	x	x
113	5201003	Buffer	x	x	x
114	B6182-6	Nut M6	x	x	x
115	B12613-252220	Bushing 25×22×20	x	x	x
116	5202020	Washer	x	x	x
117	B5783-1030	Bolt M10×30	x	x	x
118	B97.1-10	Washer 10	x	x	x
119	B5783-1035	Bolt M10×35	x	x	x
120	5202021	Linking Plate	x	x	x
121	5202014	Short Tube	x	x	x
122	5202034	Compressing Spring	x	x	x
123	5202200	Handle	x	x	x
124	5202013	Axle Pin	x	x	x
125	5202010	Shield Plate, Inner	x	x	x
126	5202030	Roller	x	x	x
127	5202006	Height Adjustment Plate	x	x	x
128	5202022	Bushing	x	x	x
129	5202040	Connection Rod	x	x	x
130	B6172-8	Nut M8	x	x	x
131	5202032	Handle Grip	x	x	x
132	5202033	Push Button	x	x	x
133	B5782-860	Bolt M8×60	x	x	x
134	5202017	Shield Plate, Outer	x	x	x
135	B5782-850	Bolt M8×50	x	x	x
136	5202012	Hair Pin	x	x	x
137	B820-610	Screw M6×10	x	x	x
138	5202019	Platform	x	x	x
139	5202031	Height Adjustment Plate	x	x	x
140	5202160	Pedal Weldment	x	x	x
141	5202164	Bushing	x	x	x
142	5202004	Ring	x	x	x
143	5203907	Cushion	x	x	x
144	5202005	Ribbon	x	x	x
145	5202001	Caster Wheel	x	x	x

Console Frame Assembly

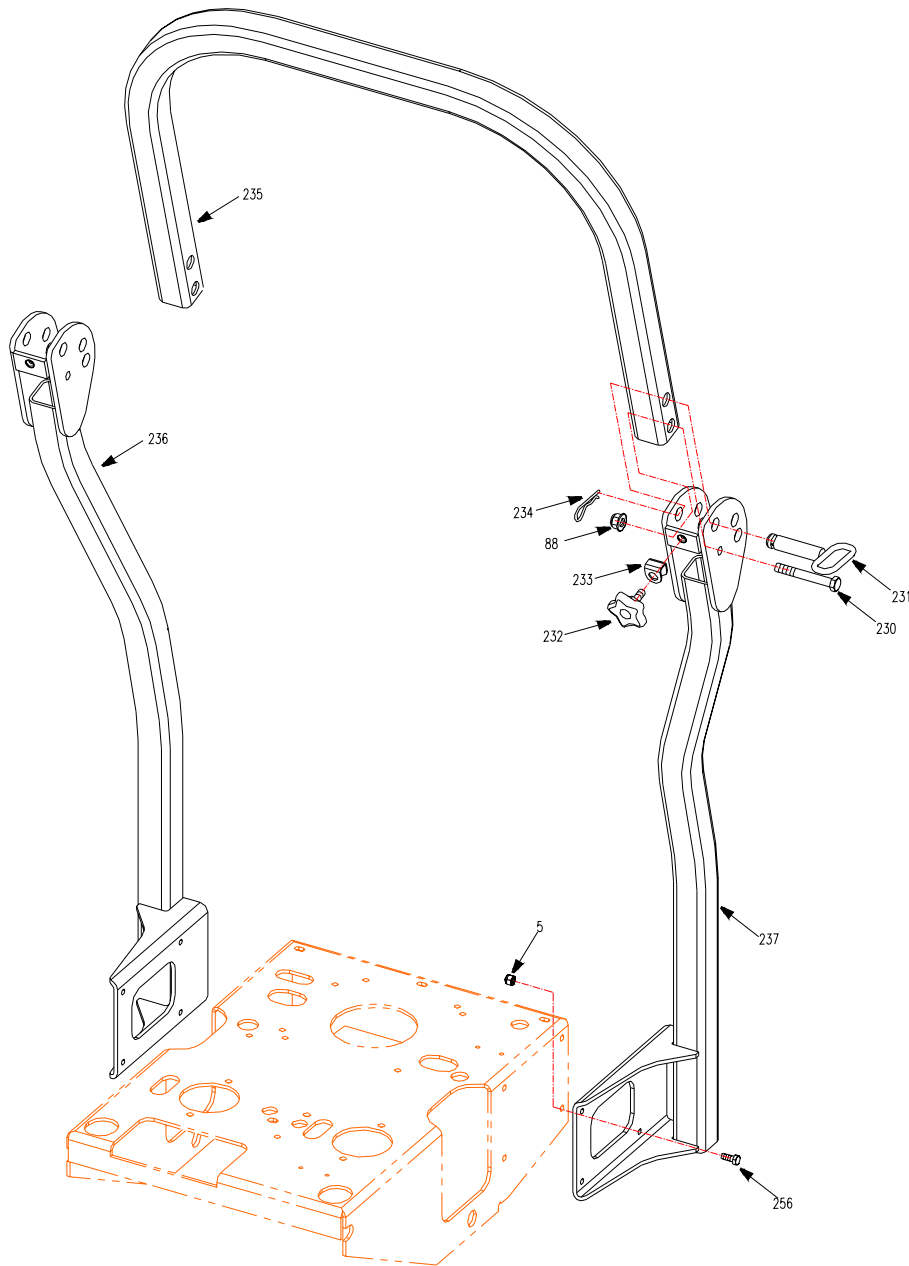




Console Frame Assembly

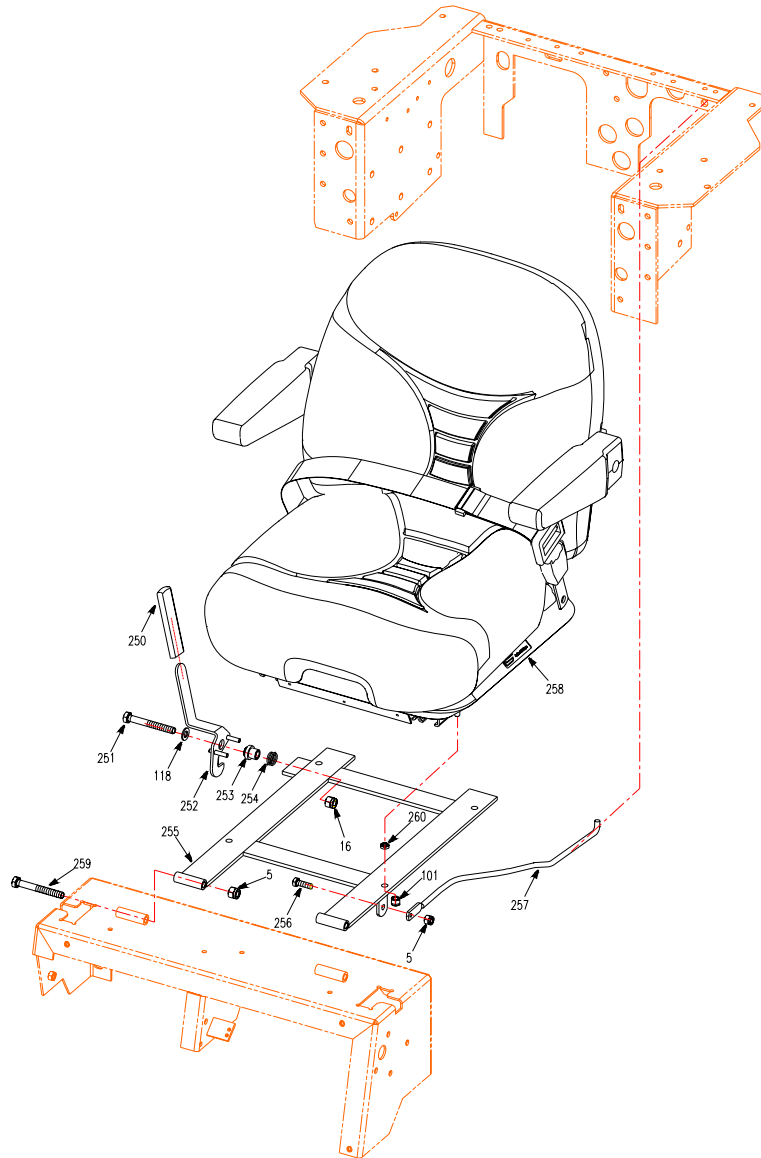
REF.	PART NO.	DESCRIPTION	48	52	60	REF.	PART NO.	DESCRIPTION	48	52	60
5	B6182-8	Nut M8	x	x	x	186	5203911	Board, Rear	x	x	x
9	B97.1-8	Washer 8	x	x	x	187	5203913	Heat Isolation Plate	x	x	x
101	B6187-8	Nut M8	x	x	x	188	B5783-620	Bolt M6×20	x	x	x
112	B97.1-6	Washer 6	x	x	x	189	5208202	Battery Strap	x	x	x
114	B6182-6	Nut M6	x	x	x	190	B62-6	Nut M6	x	x	x
118	B97.1-10	Washer 10	x	x	x	191	5208203	Control Rod	x	x	x
130	B6172-8	Nut M8	x	x	x	192	5208002	Battery 12V	x	x	x
170	B5783-820	Bolt M8×20	x	x	x	194	5203910	Safety Board	x	x	x
171	B93-8	Washer 8	x	x	x		5203172	Safety Board (Kawa 27HP)	x	x	x
172	5206112	Snap Ring	x	x	x	195	5203044	Spring	x	x	x
173	5203906	Board	x	x	x	196	3601020	clamp	x	x	x
174	5203032	Return Pin	x	x	x	197	5203100	Console Bracket	x	x	x
175	5203031	Return Spring	x	x	x	198	5203904	Lock Catch	x	x	x
176	5208101	Compression Washer	x	x	x	199	5203500	Linking Plate	x	x	x
178	B823-516	Screw 15×16	x	x	x	200	5208015	Brake Switch	x	x	x
179	5208103	Nut Rack	x	x	x	201	5208011	Relay 12V	x	x	x
180	5208012	Pressure Switch	x	x	x	202	5208018	Seat Delay Switch	x	x	x
181	5208102	Pressure Switch Bracket	x	x	x	203	B5787-620	Hex Hd Bolt M6*20	x	x	x
182	5208104	Return Spring	x	x	x	204	4LZ2.16.4-04	Plastic Bushing	x	x	x
183	B5782-8140	Bolt M8×14	x	x	x	205	5207018	Support Plate	x	x	x
184	B879-316	Pin 3×16	x	x	x	206	5207030	Fuel Tank Bracket	x	x	x
185	5203001	Console Frame Weldment		x	x	207	B5783-830	Nut M8×30	x	x	x
	5203151	Console Frame Weldment		x	x	208	4807104	Start-up Relay (Kawa 25Hp)	x	x	x
		Kawa 27 HP				256	B5783-825	Bolt M8×25	x	x	x
	4823001	Console Frame Weldment	x			209	B96-6	Washer 6	x	x	x

Security Bar Assembly



REF.	PART NO.	DESCRIPTION	48	52	60
5	B6182-8	Nut M8	x	x	x
88	B6187-12	Nut M12	x	x	x
230	B5782-1285	Bolt M12×90	x	x	x
231	5203240	Latch	x	x	x
232	90000-04-05	Knob	x	x	x
233	5203201	Adjustable Cushion	x	x	x
234	5203203	Hair Pin	x	x	x

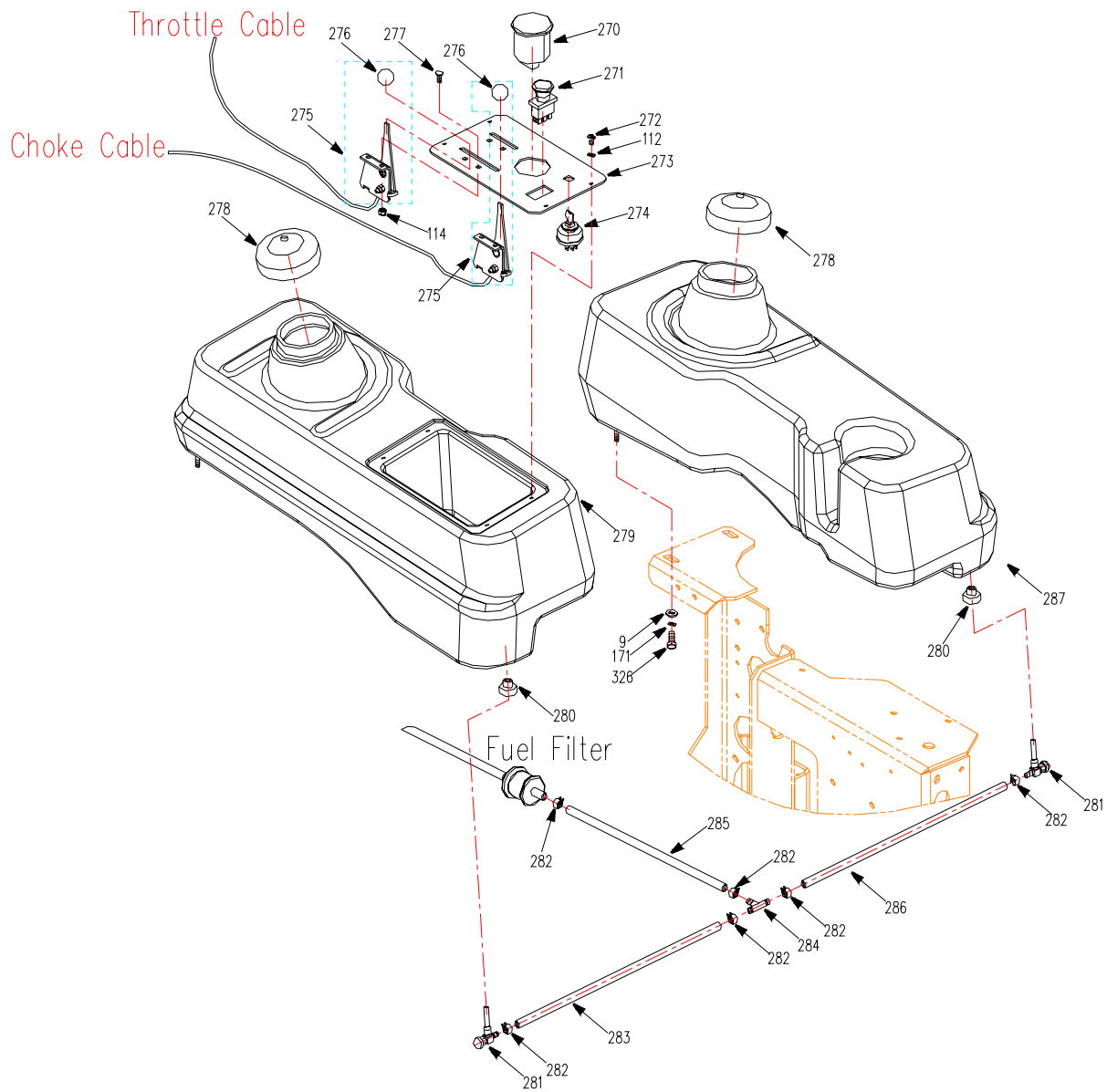
REF.	PART NO.	DESCRIPTION	48	52	60
235	5203230	U-Shaped Bar	x	x	x
236	5203220	Left Arm	x	x	x
	5203170	Left Arm (Kawa 27HP)	x	x	x
237	5203210	Right Arm	x	x	x
	5203160	Right Arm (Kawa 27HP)	x	x	x
256	B5783-825	Bolt M8×25	x	x	x



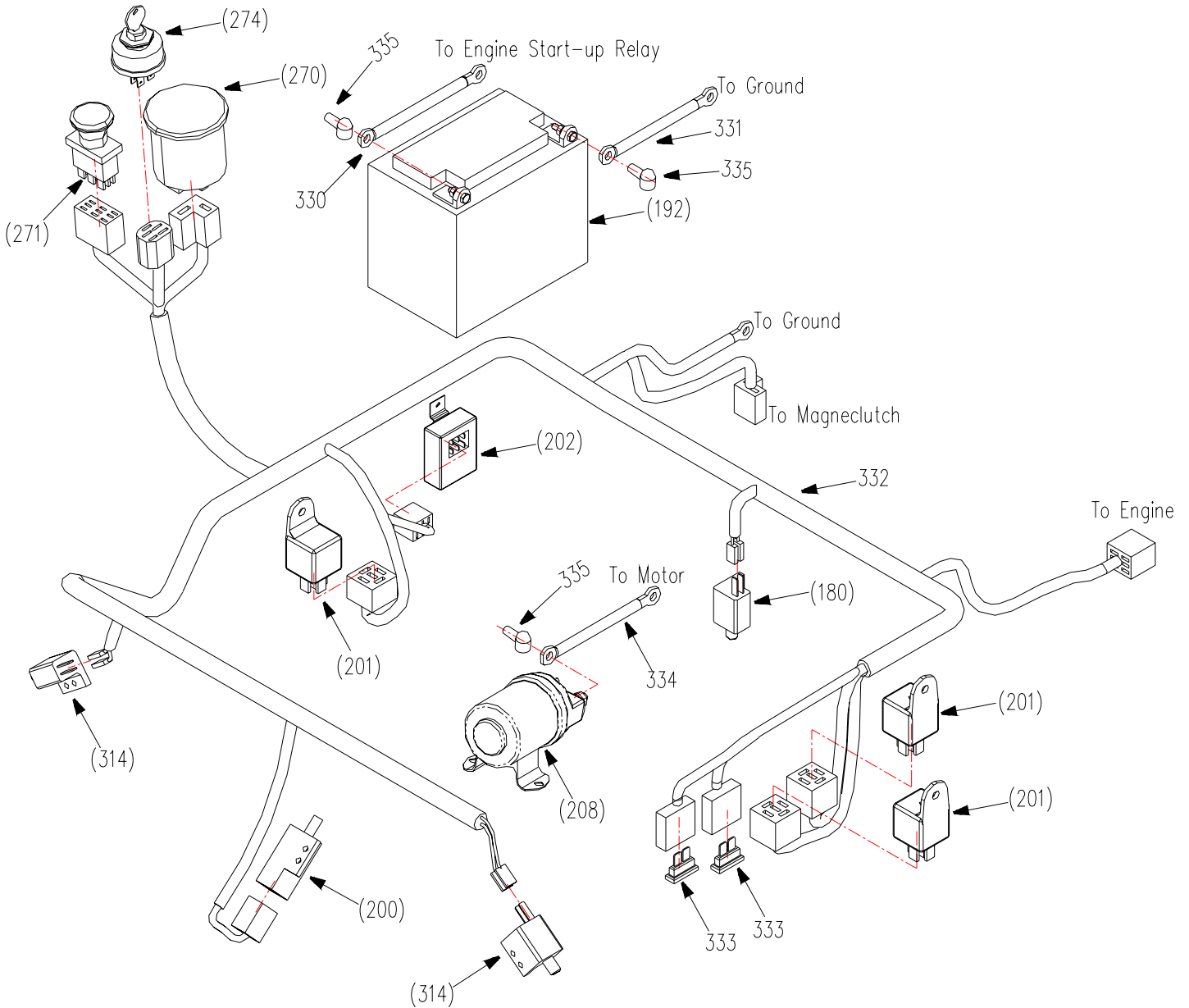
REF.	PART NO.	DESCRIPTION	48	52	60
5	B6182-8	Nut M8	x	x	x
16	B6182-10	Nut M10	x	x	x
101	B6187-8	Nut M8	x	x	x
118	B97.1-10	Washer 10	x	x	x
250	3306002	Handle Grip	x	x	x
251	B5782-1080	Bolt M10×80	x	x	x
252	5203380	Adjusting lever	x	x	x
253	5203336	Bushing	x	x	x

REF.	PART NO.	DESCRIPTION	48	52	60
254	5203332	Torsion Spring	x	x	x
255	5203301	Seat Bracket Assembly	x	x	x
256	B5783-825	Bolt M8×25	x	x	x
257	5203392	Hook Rod	x	x	x
258	5203390	Seat Assembly	x	x	x
259	B5782-8120	Bolt M8×120	x	x	x
260	B6170-8	Nut M8	x	x	x

Fuel Tank Assembly



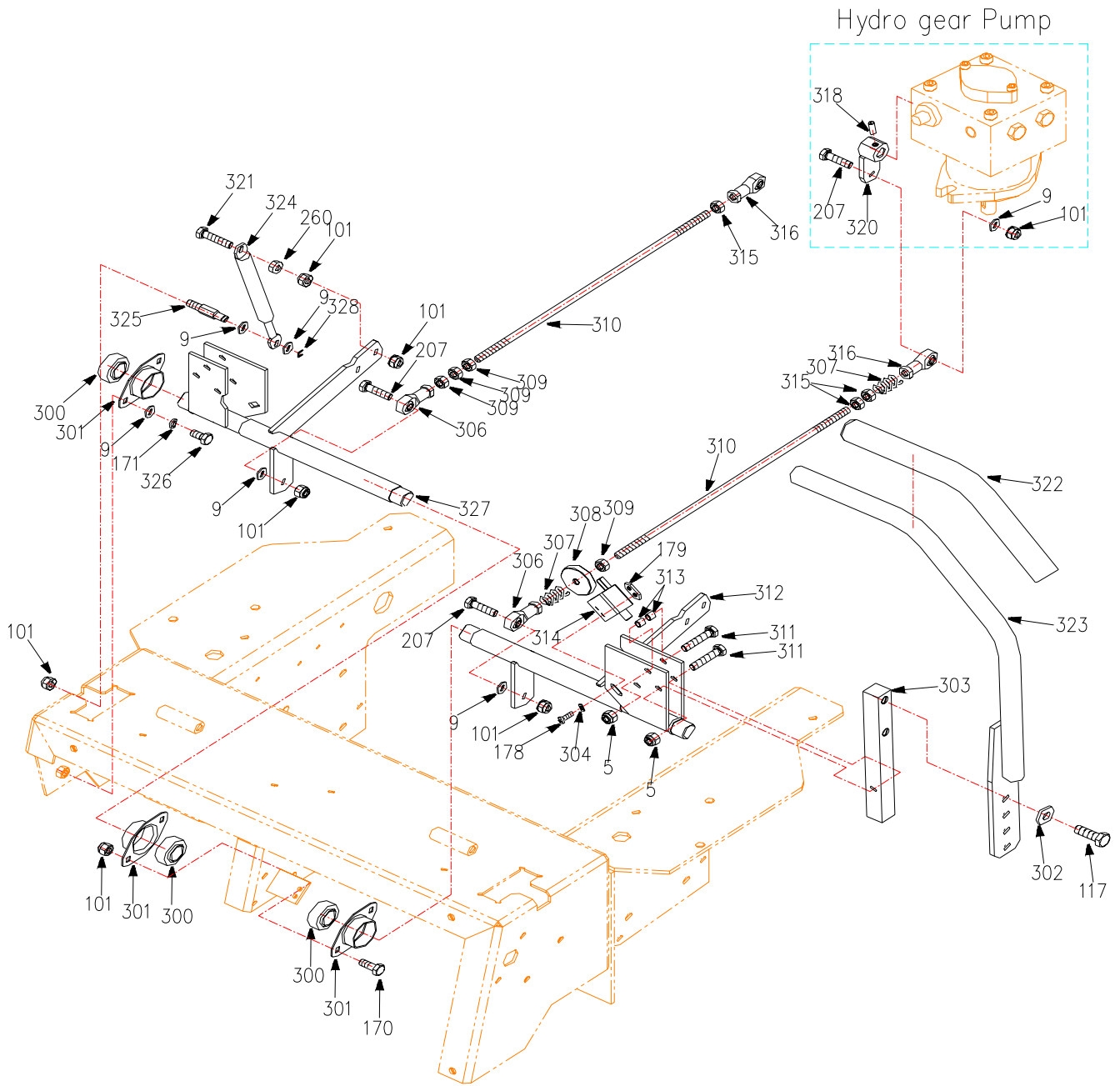
REF.	PART NO.	DESCRIPTION	48	52	60	REF.	PART NO.	DESCRIPTION	48	52	60
9	B97.1-8	Washer 8	x	x	x	278	4805005	Gas Cap	x	x	x
112	B97.1-6	Washer 6	x	x	x	279	5204012	Fuel Tank-RH	x	x	x
114	B6182-6	Nut M6	x	x	x	280	3307023	Fuel Tank Bushing	x	x	x
171	B93-8	Washer 8	x	x	x	281	3307024	Fuel Tank Shut-Off	x	x	x
270	5208006	Stop Watch	x	x	x	282	B8870-16	Hose Clamp 10-16	x	x	x
271	5208022	Blade Control Switch	x	x	x	283	5204003	Fuel Line 1	x	x	x
272	B67-612	Screw M6×12	x	x	x	284	5204006	Switch Linkage	x	x	x
273	5204011	Switch Bracket	x	x	x	285	5204005	Fuel Line 2	x	x	x
274	5208003	Ignition Switch	x	x	x	286	5204009	Fuel Line 3	x	x	x
275	2806005	Throttle Control	x	x	x	287	5204014	Fuel Tank-LH	x	x	x
276	3306030	Knob	x	x	x	326	B5783-816	Bolt M8×16	x	x	x
277	B801-616	Bolt M6×16	x	x	x						



REF.	PART NO.	DESCRIPTION	48	52	60
180	5208012	Pressure Switch	x	x	x
192	5208002	12V Battery	x	x	x
200	5208015	Parking Brake Switch	x	x	x
201	5208011	12V Relay	x	x	x
202	5208018	Seat Delay Switch	x	x	x
208	4807104	Start-up relay (Kawa) From 21HP to 25HP	x	x	x
270	5208006	Stop watch	x	x	x
271	5208022	Blade Switch	x	x	x
274	5208003	Ignition Switch Assembly	x	x	x
314	2808005	Blade Switch	x	x	x

REF.	PART NO.	DESCRIPTION	48	52	60
330	5208017	Positive Pole (+)	x	x	x
331	5208013	Negative Pole (-)	x	x	x
332	5208001	Wiring Harness (Kohler)	x	x	x
	5208020	Wiring Harness (Kawa 25)	x	x	x
	5208020	Wiring Harness (Kawa 23)	x	x	x
	5208020	Wiring Harness (Kawa 21)	x	x	x
	5208021	Wiring Harness (Kawa 27)	x	x	x
333	5208007	Fuse (15A)	x	x	x
334	5208019	Power Cord (Kawa) From 21HP to 25HP	x	x	x
335	2808107	Cover	x	x	x

Drive Assembly

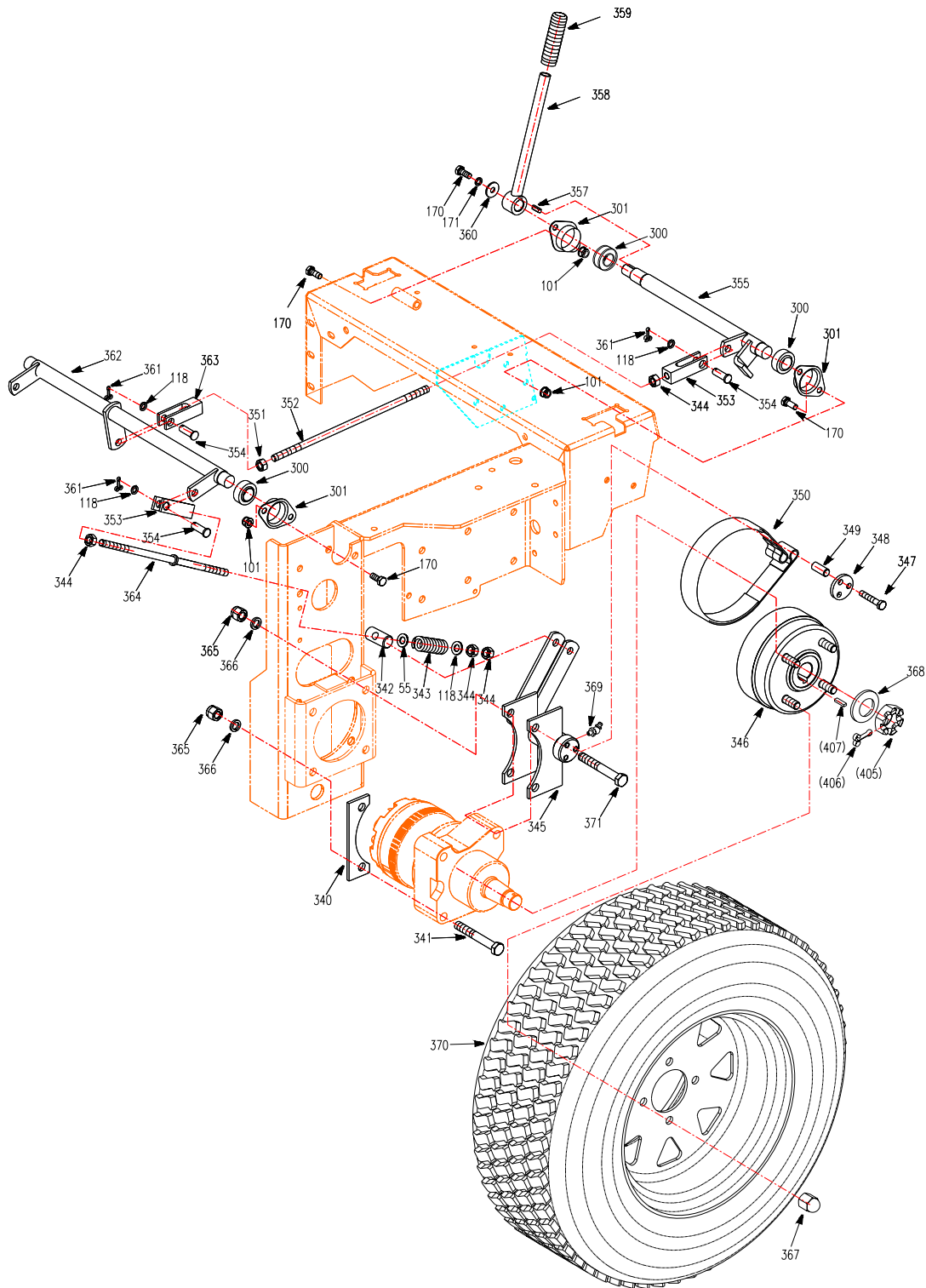




Drive Assembly

REF.	PART NO.	DESCRIPTION	48	52	60	REF.	PART NO.	DESCRIPTION	48	52	60
5	B6182-8	Nut M8	x	x	x	310	5205010	Connecting Screw	x	x	x
9	B97.1-8	Washer 8	x	x	x	311	B5782-840	Bolt M8×40	x	x	x
101	B6187-8	Nut M8	x	x	x	312	5205050	Control Arm –LH	x	x	x
117	B5783-1030	Bolt M10×30	x	x	x	313	5205019	Bushing	x	x	x
170	B5783-820	Bolt M8×20	x	x	x	314	2808005	Blade Switch	x	x	x
171	B93-8	Washer 8	x	x	x	315	B6171-8L	Nut M8×1,Levo	x	x	x
178	B823-516	Screw M5×16	x	x	x	316	5205017	Bearing SILBJK8S-LH	x	x	x
179	5208103	Nut Bracket	x	x	x	318	B879-525	Pin 5×25	x	x	x
207	B5783-830	Bolt M8×30	x	x	x	320	5205011	Connecting Arm	x	x	x
300	B9163-20	Bearing GE20ET	x	x	x	321	B5783-835	Bolt M8×35	x	x	x
301	5205002	Spindle Housing	x	x	x	322	5205001	Handle Grip	x	x	x
302	5201061	Washer	x	x	x	323	5205080	Control Lever	x	x	x
303	5205009	Linking Arm	x	x	x	324	5205012	Damper	x	x	x
304	B97.1-5	Washer 5		x	x	325	5205004	Connecting Rod	x	x	x
306	5205016	Bearing SIBJK8S	x	x	x	326	B5783-816	Bolt M8×16	x	x	x
307	5205003	Small Spring	x	x	x	327	5205030	Control Arm –RH	x	x	x
308	5205015	Adjusting Nut	x	x	x	328	B896-5	Snap Ring 5	x	x	x
309	B6171-8	Nut M8×1	x	x	x	260	B6170-8	Nut M8	x	x	x

Brake System



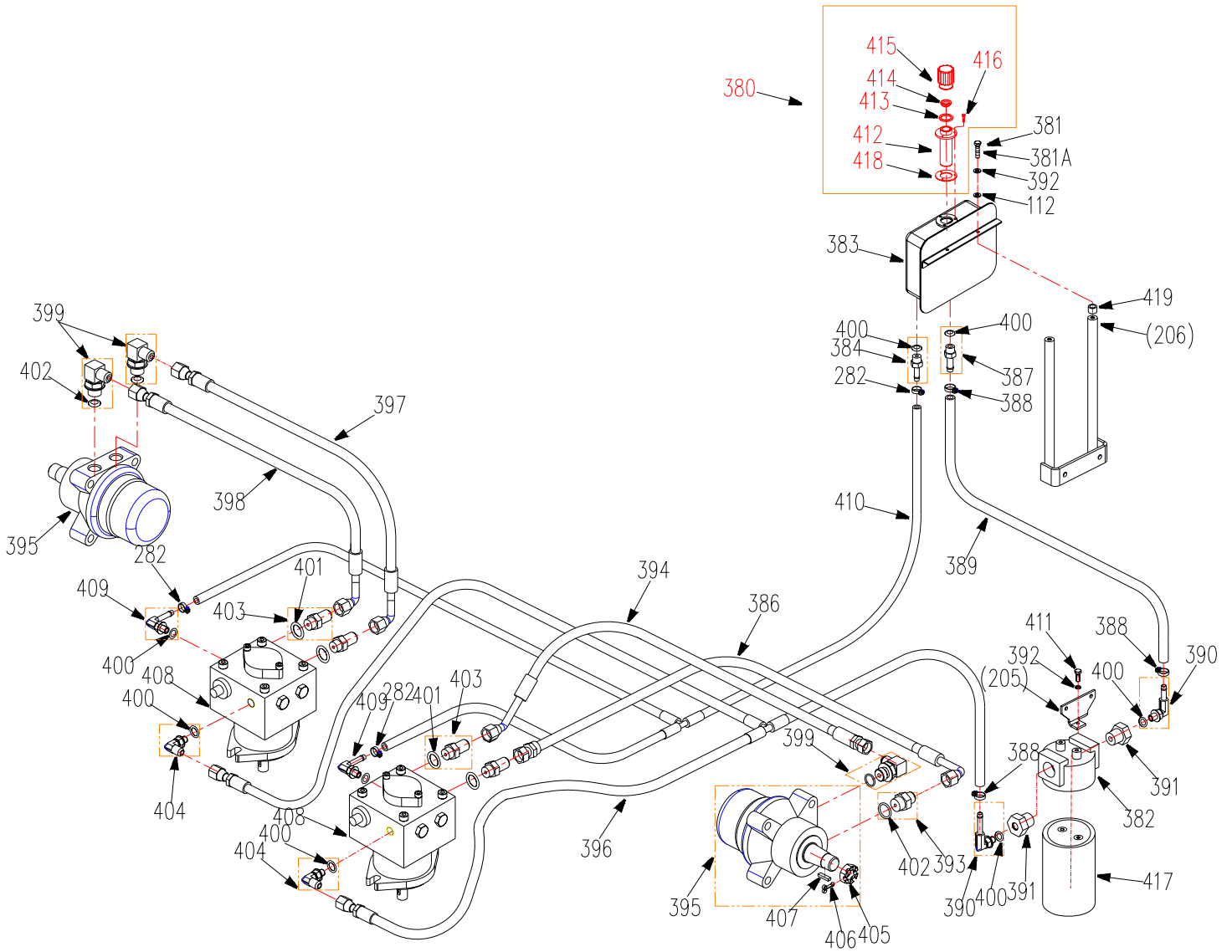


Brake System

REF.	PART NO.	DESCRIPTION	48	52	60
55	3302058	Washer 10	x	x	x
101	B6187-8	Nut M8	x	x	x
118	B97.1-10	Washer10	x	x	x
170	B5783-820	Bolt M8x20	x	x	x
171	B93-8	Washer 8	x	x	x
300	B9163-20	Bearing GE20ET	x	x	x
301	5205002	Spindle Housing	x	x	x
340	5206010	Cushion	x	x	x
341	B5782-1270	Bolt M12x70	x	x	x
342	5206006	Small Shaft	x	x	x
343	5206005	Spring	x	x	x
344	B6171-10	Nut M10x1	x	x	x
345	5206140	Brake Arm	x	x	x
346	5206090	Brake drum	x	x	x
347	B5782-845	Bolt M8x45	x	x	x
348	5206008	Cushion	x	x	x
349	5206007	Tube	x	x	x
350	5206100	Brake Strap	x	x	x
351	B6171-10L	Bolt M10x1 , Levo	x	x	x
352	5206004	Haul Rod	x	x	x
353	5206003	Connecting Yoke	x	x	x

REF.	PART NO.	DESCRIPTION	48	52	60
354	B882-1030	Axis Pin B10x30	x	x	x
355	5206050	Brake Control Rod	x	x	x
357	B1096-618	Square key 6x18	x	x	x
358	5206001	Brake Lever	x	x	x
359	5206002	Brake Lever Grip	x	x	x
360	B96-8	Washer 8	x	x	x
361	B91-3218	Cotter Pin 3.2x18	x	x	x
362	5206120	Connection Rod	x	x	x
363	5206009	Connecting yoke, Levo	x	x	x
364	5206110	Connecting Screw	x	x	x
365	B6182-12	Nut 12	x	x	x
366	B7244-12	Washer 12	x	x	x
367	5200002	Nut	x	x	x
368	5206011	Washer	x	x	x
369	B1153-645	45°Grease Fitting M6	x	x	x
370	5200001	Tire	x	x	x
371	B5782-1280	Bolt M12x80	x	x	x
405	5207051	Bolt	x	x	x
406	B91-445	Cotter Pin 4x45	x	x	x
407	5207052	Key	x	x	x

Hydraulic System

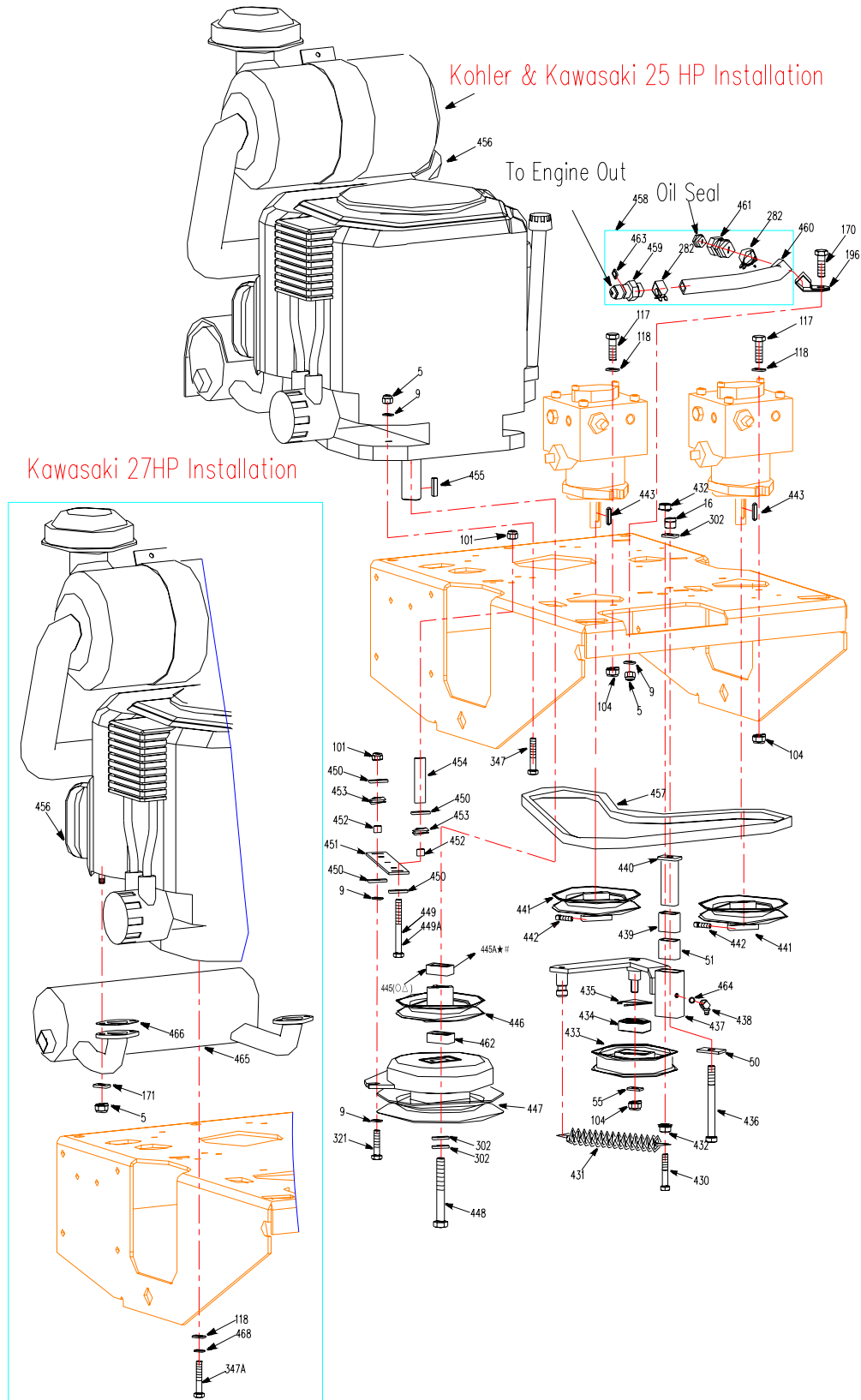




Hydraulic System

REF.	PART NO.	DESCRIPTION	48	52	60	REF.	PART NO.	DESCRIPTION	48	52	60
112	B97.1-6	Washer 6	x	x	x	398	5207009	Fore oil Hose	x	x	x
205	5207018	Support Plate	x	x	x			Right Pump To Right Motor			
206	5207030	Fluid Tank Bracket	x	x	x	399	5207012	Motor 90°Connector, RH	x	x	x
282	B8870-16	Clamp 10-16	x	x	x	400	SAE 3-906	O—Ring	x	x	x
380	QUQ1	Hydraulic Air Filter	x	x	x	401	SAE 3-908	O--Ring	x	x	x
381	B5783-625	Bolt M6×25(Kawa 27HP, Kohler)	x	x	x	402	SAE 3-910	O-Ring	x	x	x
381A	B5783-645	Bolt M6×45(Kawa21-25HP)				403	5207007	Pump Connector	x	x	x
382	SPH-06	Hydraulic Filter (LM)	x	x	x	404	5207006	Pump Feed 90°Connector, RH	x	x	x
	5207108	Hydraulic Filter (Hydro gear)	x	x	x	405	5207051	Bolt	x	x	x
383	5207091	Fluid Tank	x	x	x	406	B91-445	Cotter Pin 4×45	x	x	x
384	5207045	Hydraulic Valve-inlet	x	x	x	407	5207052	Key	x	x	x
386	5207010	Oil hose, left Pump to left Motor	x	x	x	408	5207060	Hydraulic Pump	x	x	x
387	5207046	Oil Tank Valve-output	x	x	x	409	5207008	Pump Return 90°Connector, RH	x	x	x
388	B8870-19	Clamp 13~19	x	x	x	410	5207005	Oil Return Hose	x	x	x
389	5207002	Hydraulic Oil Output Hose	x	x	x	411	B5783-616	Bolt M6×16	x	x	x
390	5207102	Adjustable Filter	x	x	x	412	5207104	Filter	x	x	x
391	5207101	Oil Connector, R3/4" (LM)	x	x	x	413	5207105	Spacer	x	x	x
392	B93-6	Washer 6	x	x	x	414	5207099	Spacer	x	x	x
393	5207014	Left Motor Connector	x	x	x	415	5207106	Filter Cap	x	x	x
394	5207013	Oil hose, left Pump To left Motor	x	x	x	416	B5783-416	Bolt M4×16	x	x	x
395	5207050	Hydraulic Motor	x	x	x	417	SPX-06×25	Filter Element (LM)	x	x	x
396	5207001	Hose	x	x	x		5207107	Filter Element (Hydro gear)	x	x	x
397	5207011	Rear Oil Hose	x	x	x	418	5207103	Washer	x	x	x
		Right Pump To Right Motor				419	3302010	Spacer (Kawa 21-25HP)	x	x	x

Driving System





Driving System

REF.	PART NO.	DESCRIPTION	48	52	60	REF.	PART NO.	DESCRIPTION	48	52	60
5	B6182-8	Nut M8	x	x	x	447	5203404	Electromagnetic Clutch△○	x	x	x
9	B97.1-8	Washer 8	x	x	x		5203434	Electromagnetic Clutch# ★		x	x
16	B6182-10	Nut M10	x	x	x	448	5203412	Bolt 7/16-20UNF×3	x	x	x
50	5201067	Spacer	x	x	x	449	B5782-885	Bolt M8×85△○	x	x	x
55	3302058	Washer 10	x	x	x	449A	B5782-8100	Bolt M8×100# ★		x	x
101	B6187-8	Bolt M8	x	x	x	450	5203408	Washer	x	x	x
104	B6187-10	Nut M10	x	x	x	451	5203411	Fixed Plate	x	x	x
117	B5783-1030	Bolt M10×30	x	x	x	452	5203409	Bushing	x	x	x
118	B97.1-10	Washer 10 ★	x	x	x	453	5203410	17 Rubber Washer	x	x	x
170	B5783-820	Bolt M8×20	x	x	x	454	5203407	Tube△○	x	x	x
171	B93-8	Washer 8	x	x	x		5203437	Tube# ★		x	x
196	3601020	Clamp	x	x	x	455	5203405	Key 6.35×25	x	x	x
388	B8870-19	Hose Clamp 10-16	x	x	x	456	5203401	Kohler Engine		x	
302	5201061	Washer	x	x	x		5203426	Parts for Installation		x	x
321	B5783-835	Bolt M8×35	x	x	x			(Kawa 25HP FH721V)			
347	B5782-845	Bolt M8×45★#○	x	x	x		5203428	(Kawa 21HP FH641V)	x	x	
347A	5203435	Bolt 3/8-16UNC×1-1/2★		x	x		5203429	(Kawa 23HP FH680V)	x	x	x
430	B5782-1045	Bolt M10×45	x	x	x		5203427	(Kawa 27HP FX751V)		x	x
431	5207015	Idler Pulley Spring	x	x	x	457	5207016	Belt, Engine to Pump	x	x	x
432	B6177-10	Nut M10	x	x	x	458	5203416	Hose○		x	
433	3302056	Blade Idler Pulley	x	x	x		5203420	Hose△#★	x	x	x
434	B276-6303RS	Bearing 6303-2RS	x	x	x	459	5203417	Connector ○		x	
435	B893.2-47	Snap Ring 47	x	x	x		5203421	Connector △#★	x	x	x
436	B5782-10100	Bolt M10×100	x	x	x	460	5203415	Hose ○		x	
437	5207082	Shift Arm	x	x	x		5203423	Hose △#★	x	x	x
438	B1153-690	90°Grease Fitting M6	x	x	x	461	5203418	Connector ○		x	
51	B2685-253225	Bearing 25E8×32×25	x	x	x		5203422	Connector 1 △#★	x	x	x
440	5207081	Bushing	x	x	x	462	5203436	Bushing #★		x	x
441	5207070	Pump Pulley	x	x	x	463	B3452.1-16265	O Ring 16×2.65 △#★	x	x	x
442	B84-620	Screw M6×20	x	x	x	464	B861.1-6	Washer 6	x	x	x
443	B1096-525	Key 5×25	x	x	x	465	5203440	Muffler △#	x	x	x
445	5203403	Spacer△○	x	x	x		5203441	Muffler ★		x	x
445A	5203433	Spacer#★		x	x	466	5203442	Washer △#★		x	x
446	5203402	Pump Drive Pulley△○	x	x	x	468	B93-10	Washer 10 ★		x	x
	5203432	Pump Drive Pulley#★		x	x						

△ Equipped With Kawasaki 21,25HP # Equipped With Kawasaki 23HP ★ Equipped With Kawasaki 27HP ○ Equipped With Kohler

Safety/Operation And Product Decals



WARNING

To avoid serious injury or death:

- Pick up objects that could be thrown by the blades.
- Do NOT mow when people and pets are in the area.
- Do NOT carry passengers.
- Look behind and to the side before changing directions.
- Before leaving operator's position:
 - Disengage PTO.
 - Move deck levers out to neutral/lock position.
 - Engage park brake.
 - Stop engine.



WARNING

● Operation on wet grass or steep slopes can cause skidding and loss of control.

- Wheels slipping over edges can cause rollovers, which may result in serious injury, death or drowning.
- To avoid loss of control and possibility of rollover:
 - Do NOT operate near drop-offs or near water.
 - Do NOT operate on slopes greater than 15°.
 - Reduce speed and use extreme caution on slopes.
 - Avoid sudden turns or rapid speed changes.
- There is no rollover protection when the roll bar is down.
- Always keep roll bar raised and locked position and use seat belt.
- Read and follow rollover protection instruction and warning.



Greater than 15°

WARNING

To avoid serious injury or death:

- Read and understand the operator's manual before using this machine.
- Do NOT operate unless trained to safely use this machine.
- Do NOT operate under the influence of alcohol or drugs.
- Do NOT operate without shields, guards, and safety devices in place and working.
- Check the function of the operator presence control (OPC) safety system daily. Do NOT disable the OPC system.
- Stop engine and remove key before adjusting, servicing, or clearing machine and attachments.
- Hearing protection is recommended.

470

WARNING

Battery contains sulfuric acid. Avoid contact and always shield eyes, face, skin and clothing from battery. Cigarettes, flames or sparks could cause battery to explode. Do not charge or use booster cables or adjust post connections without proper training. In event of an accident flush with water and call a physician immediately. Keep out of reach of children.

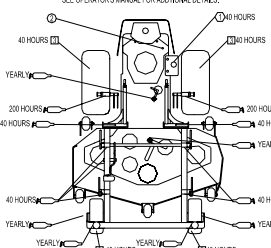
DRIVE WHEEL RELEASE



Use 5/8 wrench
One turn counter-clockwise to release
Do not over-tighten

CHECK/SERVICE REFERENCE AID

- GREASE LUBE POINTS AT INTERVAL SHOWN.
- CHECK HYDRAULIC FLUID AT INTERVAL SHOWN. USE ONLY MOBIL 1 SHARD TO THE MOTOR OIL.
- SEE ENGINE OPERATOR'S MANUAL FOR SERVICE ENGINE.
- CHECK TIRE PRESSURE IN PNEUMATIC TIRES AT INTERVAL SHOWN. CASTER TRES - 10 PSI. DRIVE TIRES - 10 PSI. SEE OPERATOR'S MANUAL FOR ADDITIONAL DETAILS.




40 HOURS, 80 HOURS, 120 HOURS, 160 HOURS, 200 HOURS, YEARLY

472

WARNING

TO AVOID INJURY OR DEATH FROM ROLLOVER:
Keep roll bar in the raised and locked position and use seat belt.

THERE IS NO ROLL OVER PROTECTION WHEN THE ROLL BAR IS DOWN.
Lower the roll bar only when absolutely necessary. Do not wear seat belt when the roll bar is down. Drive slowly and carefully. Raise the roll bar as soon as clearance permits. Read and follow slope operation instructions and warnings.



476

WARNING

DO NOT OPERATE WITHOUT DISCHARGE DEFLECTOR, ENTIRE GRASS COLLECTION SYSTEM, OR MULCH KIT IN PLACE. DO NOT REMOVE GRASS CATCHER UNTIL BLADES HAVE STOPPED.

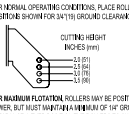
CAUTION

- Loose or Damaged Blade Bolt may allow blade to come out from under deck at HIGH SPEED.
- Replace Blade Bolt after striking a foreign object.
- Torque Blade Bolt to 115-120 FT-LBS(158-163N m).

SEE OPERATOR'S MANUAL

ANTI-SCALP ROLLER ADJUSTMENT

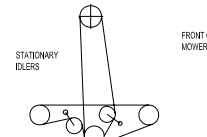
FOR NORMAL OPERATING CONDITIONS, PLACE ROLLERS IN POSITION B (SHOWN FOR 48") GROUND CLEARANCE.



CUTTING HEIGHT (INCHES (MM))
12 (305)
14 (355)
16 (405)
18 (455)


FOR MAXIMUM PENETRATION, ROLLERS MAY BE POSITIONED LOWER, BUT MUST MAINTAIN A MINIMUM OF 1" GROUND CLEARANCE. NEVER POSITION THE ROLLERS TO SUPPORT THE MOWER DECK.

STATIONARY BLADES



FRONT OF MOWER

CUTTING HEIGHT



475

471

WARNING

- Hot exhaust components may ignite fuel or debris.
- Fire or explosion may occur, resulting in property damage, personal injury or death.
- Do not operate without entire exhaust system in place and in proper working condition.

479

HYDRAULIC OIL-USE ONLY MOBIL 1 SAE 15W-50 SYNTHETIC ENGINE OIL

FILL TO 2/3 OF HEIGHT OF HYDRAULIC RESERVOIR

CAUTION

HOT SURFACE

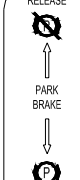


480

RELEASE

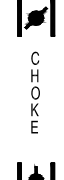
PARK BRAKE

ENGAGE




477

CHOKER



490



491

MOTION CONTROL

↑

↓

N

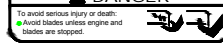
R



493

DANGER

To avoid serious injury or death:
● Avoid blades unless engine and blades are stopped.



474

DANGER

COVER IS MISSING. DO NOT OPERATE THIS UNIT WHEN COVER IS NOT IN PLACE.

482

CAUTION

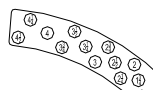
DO NOT OPERATE WITHOUT GUARD IN PLACE

473

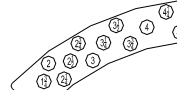
CAUTION

MUFFLER AND SHIELDS MAY EXCEED 150°F

481



484



485



488

NO STEP

483



PTO

487



497

52

492

60

495

48

499



496



500

Worldlawn Power Equipment

498

REF.	PART NO.	DESCRIPTION	48	52	60	REF.	PART NO.	DESCRIPTION	48	52	60
470	8301	Decal, Warning	x	x	x	486	8308	Decal, Caution	x	x	x
471	8307	Decal, Warning	x	x	x	487	8312	Decal	x	x	x
472	8319	Decal, Warning	x	x	x	488	8300	Decal	x	x	x
473	8303	Decal, Caution	x	x	x	489	8323	Decal	x	x	x
474	8325	Decal, Danger	x	x	x	490	8313	Decal	x	x	x
475	8320	Decal	x	x	x	491	8314	Decal	x	x	x
476	8315	Decal, Caution	x	x	x	492	8326	Decal, 52"		x	
477	8322	Decal	x	x	x	493	8324	Decal, 52"	x	x	x
478	8310	Decal	x	x	x	494	8309	Decal	x	x	x
479	8317	Decal, Warning	x	x	x	495	8327	Decal			x
480	8316	Decal	x	x	x	496	8331	Decal, LH	x	x	x
481	8318	Decal, Caution	x	x	x	497	8340	WORLD Logo	x	x	x
482	8305	Decal, Danger	x	x	x	498	8341	Decal	x	x	x
483	8304	Decal	x	x	x	499	8328	Decal, 48"	x		
484	8321	Decal	x	x	x	500	8330	Decal, RH	x	x	x
485	8302	Decal	x	x	x						



WORLDLAWN®

Worldlawn Power Equipment, Inc.

422 Turnbull Canyon Road City of Industry CA 91744

phone:(626) 934-8552

fax: (626) 934-8162

E-mail: worldlawnmower@adelphia.net