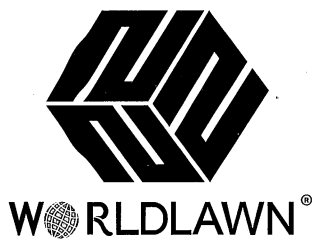


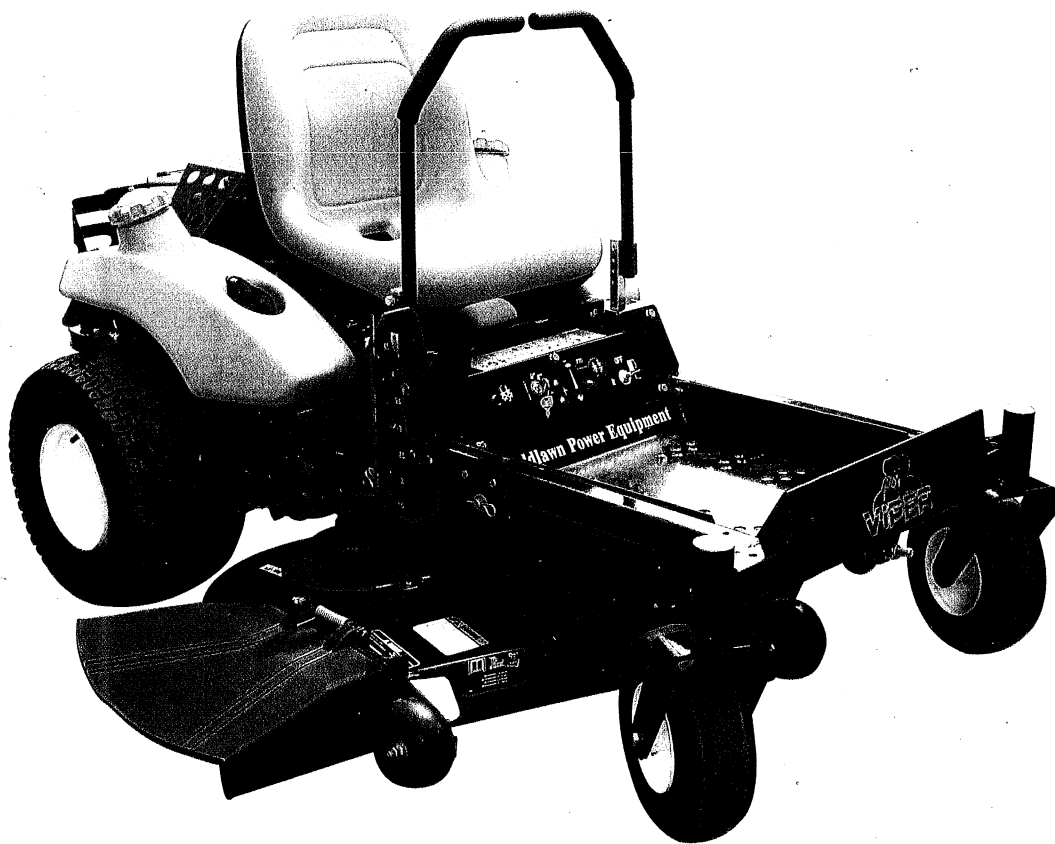
Parts Catalog



WORLDLAWN[®]

WYZ50 Residential Zero Turn Mower

2011-04



Worldlawn Power Equipment, Inc.
2415 Ashland Avenue, Beatrice, NE 68310
Toll Free Number: 1-800-267-4255





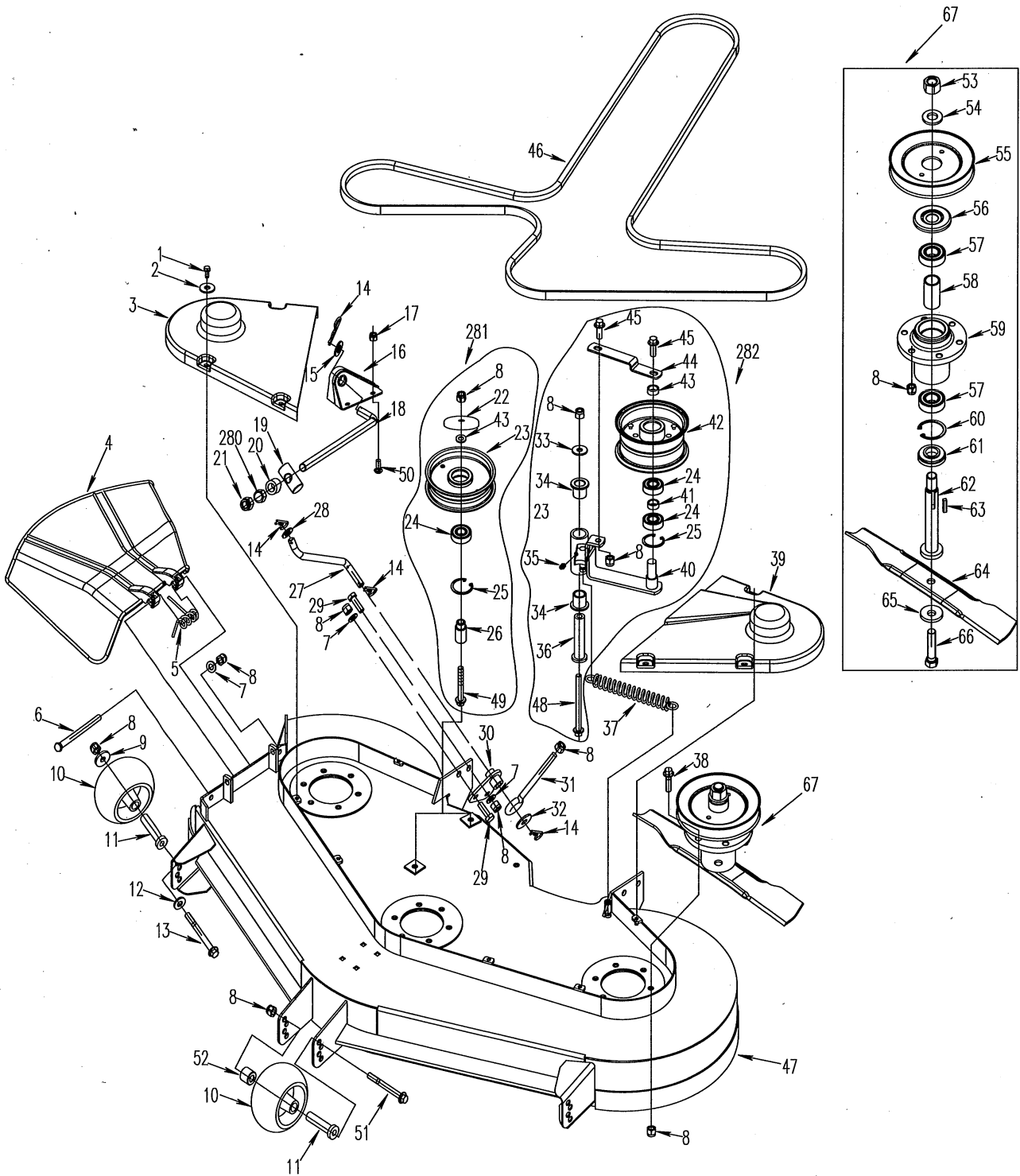
Content

Mower Deck Assembly.....	1
Mower Deck Height Adjustment	3
Hydraulic Pressure System.....	4
Front Frame Assembly.....	5
Control Assembly	7
Engine System	9
Driving System.....	11
Electric System	12
Safety / Operation And Product Decal.....	13



WORLDLAWN®

Mower Deck Assembly



Mower Deck Assembly

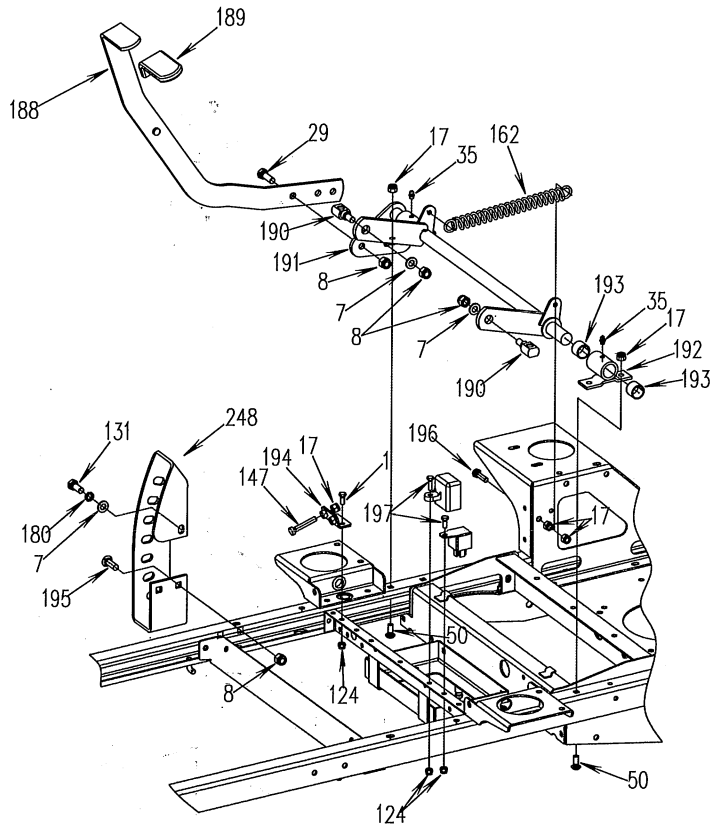


REF.	PART NO.	DESCRIPTION	50	REF.	PART NO.	DESCRIPTION	50
1	B5783-616	Bolt M6×16	×	36	5001081	Pivot Tensioner Mount	×
2	B97.1-6	Flat Washer #6	×	37	5207015	Deck Belt Tension Spring	×
3	5001016	RH Belt Cover	×	38	B5787-1035	Bolt M10×35	×
4	5001004	Discharge Chute	×	39	5001017	LH Belt Cover	×
5	5001007	Torsion Spring	×	40	5001090	Deck Belt Tension Arm	×
6	2802008	Bolt M8×160	×	41	5201077	Bushing	×
7	B97.1-10	Flat Washer #10	×	42	5201064	Tension Pulley	×
8	B6182-10	Nut M10	×	43	5201078	Bearing Spacer 10	×
9	5201083	Washer 10	×	44	5001082	Tension Pulley Brace	×
10	5201081	Anti Scalp Roller	×	45	B5787-1025	Bolt M10×25	×
11	5201082	Scalp Roller Bushing	×	46	5001002	Blade Drive Belt	×
12	5201061	Disc Spring Washer 11	×	47	5001040	Mower Deck	×
13	B5782-10100	Bolt M10×100	×	48	B5787-10110	Bolt M10×110	×
14	5202012	Hair Pin	×	49	B5787-1070	Bolt M10×70	×
15	B97.1-14	Washer 14	×	50	B801-825	Bolt M8×25	×
16	5001130	Front Suspension Bracket	×	51	B5787-10120	Bolt M10×120	×
17	B6182-8	Nut M8	×	52	3602014	Deck Wheel Spacer	×
18	5001010	Front Deck Support Rod	×	53	B6171-20	Nut M20	×
19	5001011	Support Rod Pivot Bushing	×	54	5201048	Disk Spring Washer 20	×
20	5001012	Support Rod Spacer	×	55	5001110	Blade Pulley	×
21	B6182-14	Nut M14	×	56	5201044	Top Dust Cover	×
22	5201291	Dust Cover	×	57	B276-6205RS	Bearing 6205-2RS	×
23	5201012	Stationary Idler	×	58	5201049	Spindle Bearing Spacer	×
24	B276-6203RS	Bearing 6203-2RS	×	59	5201050	Spindle Housing	×
25	B893.1-40	Internal Snap Ring 40	×	60	B893.1-52	Snap Ring 52	×
26	5201011	Idler Spacer Bushing	×	61	5201043	Lower Dust Guard	×
27	5001005	Deck Stabilizer Rod	×	62	5001141	Spindle Shaft	×
28	B97.1-12	Flat Washer #12	×	63	B1096-B625	Key B6×25	×
29	B5783-1030	Bolt M10×30	×	64	5001001	Blade	×
30	5001100	Deck Lift Bracket	×	65	5201042	Disk Spring Washer 16	×
31	5001008	Deck lift Rod	×	66	B5785-1660	Bolt M16×60	×
32	5001006	Washer 12	×	67	5001140	Spindle Assembly	×
33	5001083	Washer 10	×	280	B6172-14	Nut M14	×
34	3301003	Flange Bushing 20×26×25	×	281	5201010	Tension Pulley Assembly	×
35	B1152-6	Grease Fitting M6	×	282	AS50005	Tension Pulley Assembly of Drive Belt	×



WORLDLAWN®

Mower Deck Height Adjustment



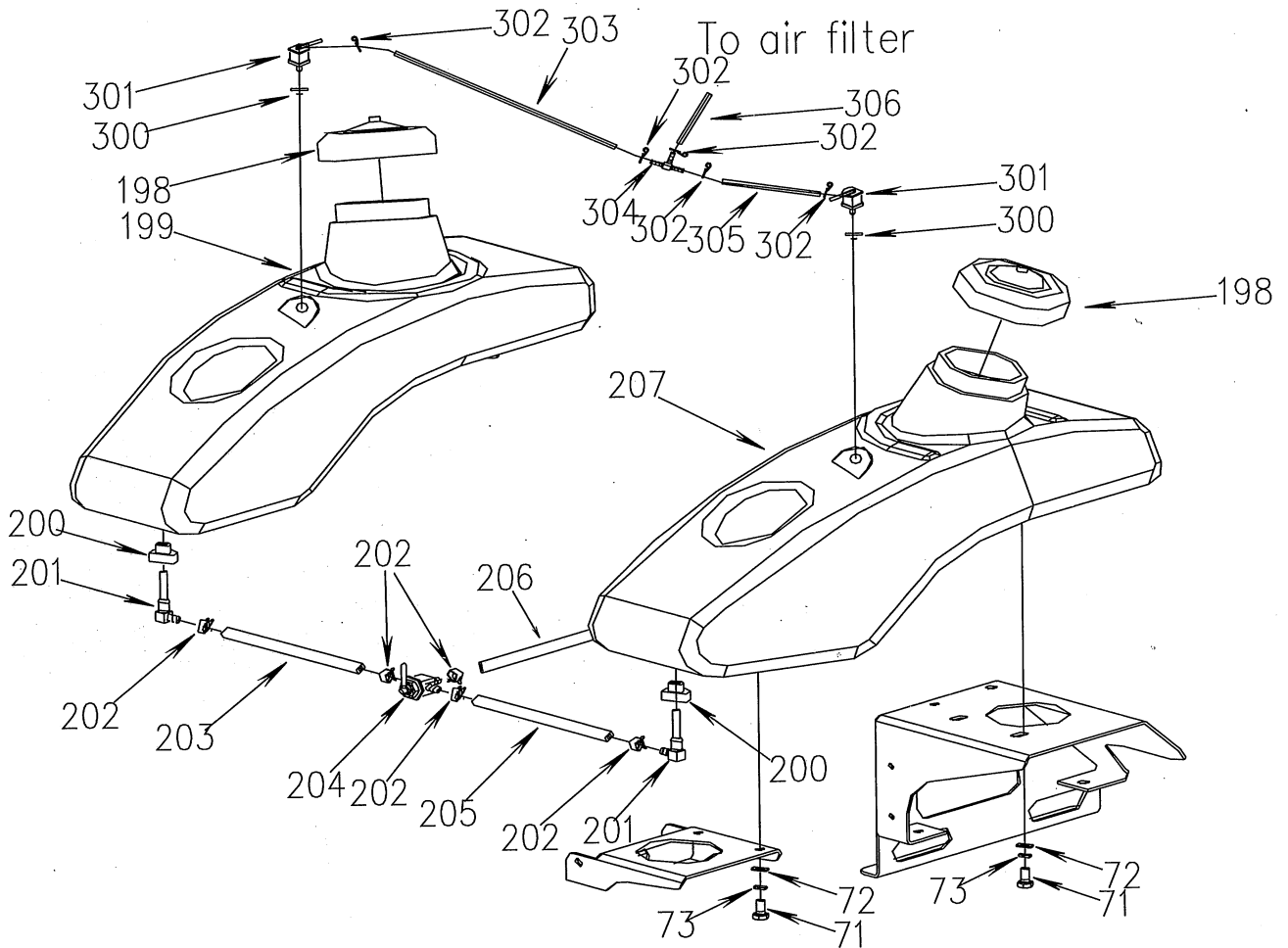
REF.	PART NO.	DESCRIPTION	50
1	B5783-616	Bolt M6×16	×
7	B97.1-10	Washer 10	×
8	B6182-10	Nut M10	×
17	B6182-8	Nut M8	×
29	B5783-1030	Bolt M10×30	×
35	B1152-6	Grease Fitting M6	×
50	B801-820	Bolt M8×20	×
124	B6182-6	Nut M6	×
131	B5783-1025	Bolt M10×25	×
147	B5783-845	Bolt M8×45	×
162	4806004	Deck Lift Assist Spring	×
180	B93-10	Washer 10	×

REF.	PART NO.	DESCRIPTION	50
188	5002190	Lift Lever	×
189	5002025	Handle Grip	×
190	5002001	Swivel	×
191	5002180	Deck Lift Shaft Weldment	×
192	5002185	Lift Shaft Mount	×
193	B12613-252220	Bushing 25×22×20	×
194	5002250	Tracking Plate	×
195	B801-1030	Bolt M10×30	×
196	B5783-830	Bolt M8×30	×
197	B5783-620	Bolt M6×20	×
248	5002021	Cutting Height Bracket	×



Hydraulic Pressure System

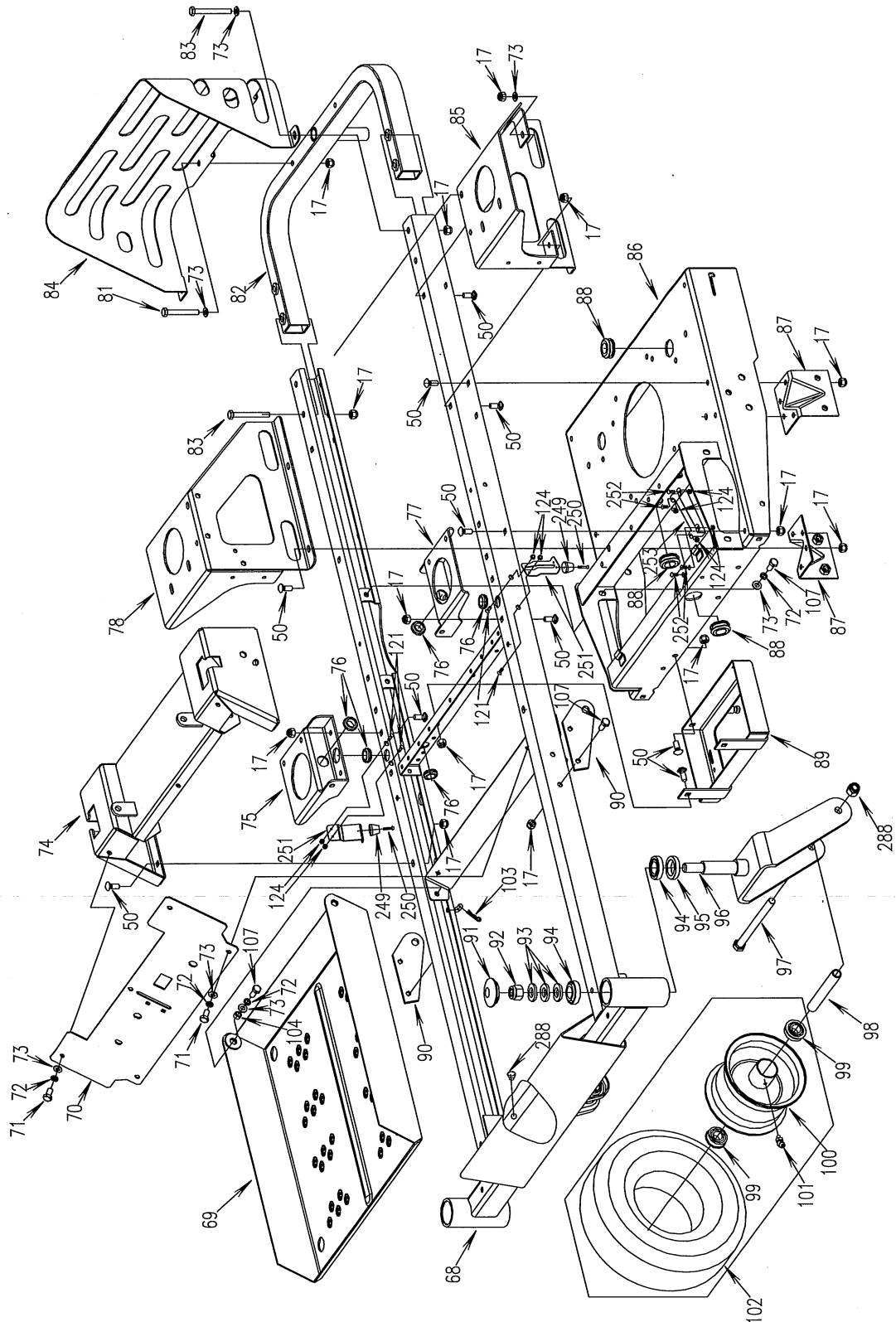
WORLDLAWN®



REF.	PART NO.	DESCRIPTION	50
71	B5783-816	Bolt M8×16	×
72	B93-8	Flat Washer #8	×
73	B97.1-8	Lock Washer #8	×
198	5204019	Fuel Tank Cap	×
199	5000101E	Right Fuel Tank	×
200	3307023A	Grommet	×
201	5204016	Right-angle Connector	×
202	B8870-16	Hose Clamp 10-16	×
203	5000104E	Fuel Line	×
204	5204015A	Fuel Valve	×
205	5000103E	Fuel Line	×

REF.	PART NO.	DESCRIPTION	50
206	5000105E	Fuel Line	×
	5000106E	Fuel Line 1470 (Kawasaki)	×
207	5000102E	Left Fuel Tank	×
300	2807102	Rubber Grommet	×
301	2807101	Roll-over Valve	×
302	3307041	Clamp	×
303	5000112	Fuel Line 500 (φ8.5×2)	×
304	5204010	Adaptor	×
305	5000111	Fuel Line 760 (φ8.5×2)	×
306	5000113	Fuel Line 580 (φ8.5×2)	×
	5000116	Fuel Line 680 (φ8.5×2)	×

Front Frame Assembly





WORLDLAWN®

Front Frame Assembly

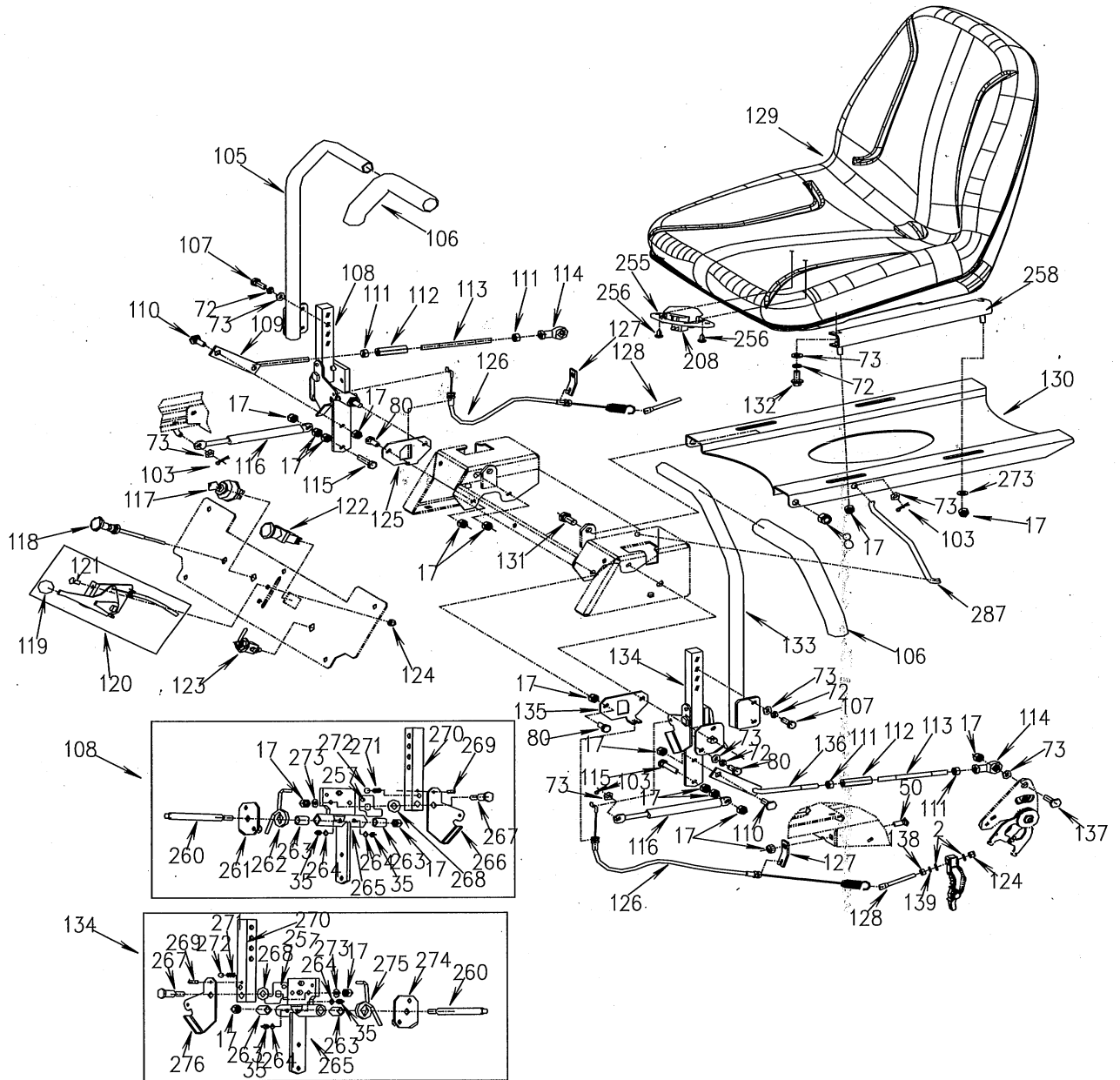
REF.	PART NO.	DESCRIPTION	50
17	B6182-8	Nut M8	×
50	B801-820	Bolt M8×20	×
68	5002040	Main Frame	×
69	5002170	Foot Plate	×
70	5002006	Control Panel	×
71	B5783-816	Bolt M8×16	×
72	B93-8	Lock Washer #8	×
73	B97.1-8	Flat Washer #8	×
74	5002070	Control Panel Mount	×
75	5002017	Front RH Tank Bracket	×
76	5002030	Rubber Bushing 20	×
77	5002016	Front LH Tank Bracket	×
78	5002019	Rear RH Tank Bracket	×
79	5002028	Engine Hood	×
80	B5783-825	Bolt M8×25	×
81	B5782-860	Bolt M8×60	×
82	5002065	Bumper	×
83	B5782-870	Bolt M8×70	×
84	5002029	Rear Engine Guard (B&S)	×
	5002029A	Rear Engine Guard (Kawa)	×
85	5002018	Rear LH Tank Bracket	×
86	5002060	Engine Base	×
87	5002085	Frame Brace	×
88	4LZ2.16.4-04	Rubber Bushing 29	×
89	5002055	Battery Tray	×

REF.	PART NO.	DESCRIPTION	50
90	5002002	Stabilizer Arm Mount	×
91	5002020	Caster Pivot Cap	×
92	B6182-16	Nut M16	×
93	5002091	Spring washer #16	×
94	B297-32922	Bearing 329/22	×
95	B9877.1-28407	Grease Seal 28×40×7	×
96	5002095	Caster Wheel Yoke	×
97	B5782-12150	Bolt M12×150	×
98	5002092	Caster Wheel Bushing	×
99	5002103	Bearing	×
100	5002102	Rim 5×3	×
101	B1153-645	45°Grease Fitting M6	×
102	5002101	Tire 11×4	×
103	XSZ56-1-17	Hair Pin	×
104	5002007	Foot Plate Pivot Bushing	×
107	B5783-825	Bolt M8×25	×
121	B801-616	Bolt M6×16	×
124	B6182-6	Nut M6	×
249	5201003	Bumper Block	×
250	B70-630	Screw M6×30	×
251	5002261	Deck Stop	×
252	B823-620	Bolt M6×20	×
253	5002265	Safety Guard	×
288	B6182-12	Nut M12	×



WORLDLAWN®

Control Assembly





WORLDLAWN®

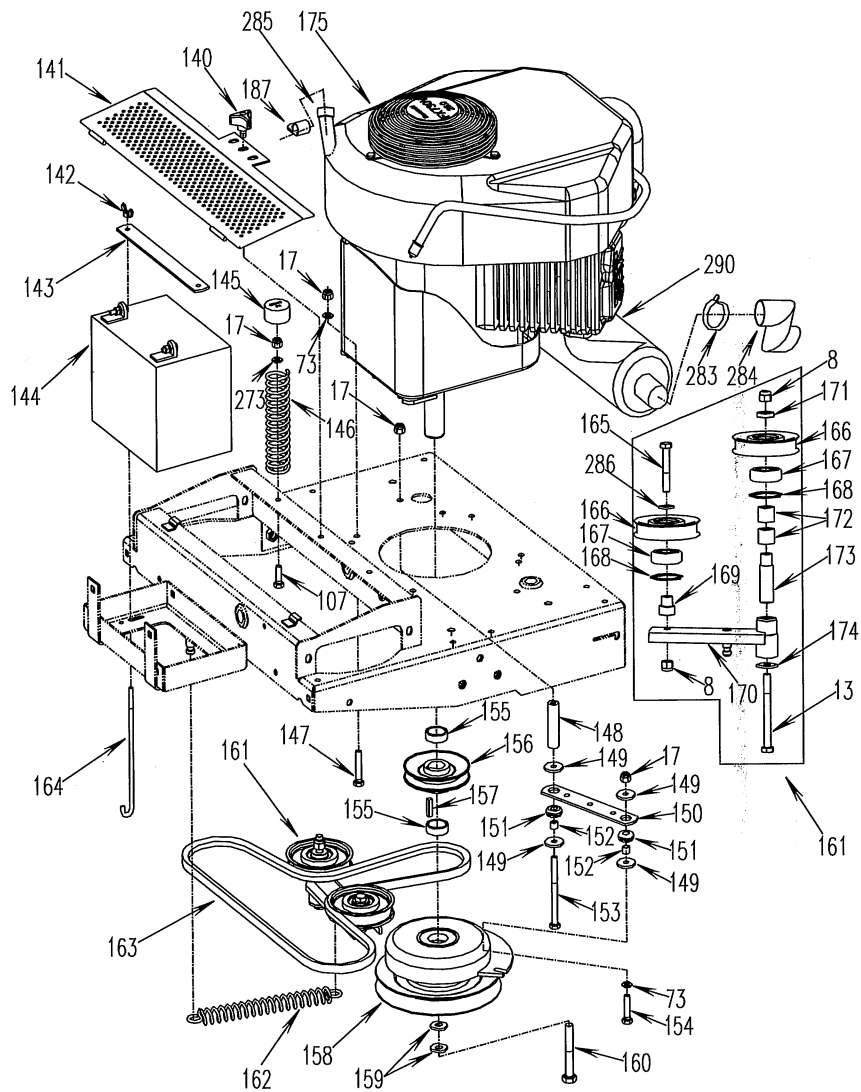
Control Assembly

REF.	PART NO.	DESCRIPTION	50	REF.	PART NO.	DESCRIPTION	50
2	B97.1-6	Flat Washer #6	×	130	5000081A	Seat Plate	×
8	B6182-10	Nut M10	×	131	B5783-1025	Bolt M10×25	×
17	B6182-8	Nut M8	×	132	3300106	Bolt 5/16-18UNC	×
35	B1152-6	Grease Fitting M6	×	133	5002140	Left Handle	×
50	B801-820	Bolt M8×20	×	134	5002110	LH Handle Mount ASM	×
72	B93-8	Lock Washer #8	×	135	5002032	Left Switch Bracket	×
73	B97.1-8	Flat Washer #8	×	136	5002131	Left Control Link	×
82	B5783-820	Bolt M8×20	×	137	5002009	Axle Pin 2	×
105	5002145	Right Handle	×	138	B6170-6	Nut M6	×
106	5002034	Handle Grip	×	139	B93-6	Washer 6	×
107	B5783-825	Bolt M8×25	×	208	5008003	Plunger Switch	×
108	5002119	RH Handle Mount ASM	×	260	5002111	Pivot Shaft	×
109	5002138	RH Control link	×	261	5002129	Stop bracket RH torsion spring	×
110	5002008	Shoulder Pin	×	262	5002118	Torsion spring, RH	×
111	B6170-8	Nut M8	×	263	B2685-121618	Bearing 12×16×18	×
112	5002134	Neutral Buckle M8	×	264	B861.1-6	Washer 6	×
113	5002135	Screw M8	×	265	5002120	Pivot Block Weldment	×
114	SIBJK 8T	Ball Joint	×	266	5002116	Right brake panel	×
115	B5783-840	Bolt M8×40	×	267	5002112	Operating pin roll	×
116	5205012	Damper	×	268	2806061	Washer 12	×
117	5208003	Ignition Switch	×	269	B897-520	Pin 5×20	×
118	5002220	Choke Cable	×	270	5002113	Handle Mount Block	×
119	3306030	Throttle Control Knob	×	271	5002114	Spring	×
120	3306019	Throttle Control ASM	×	272	B308-4	Steel Ball SR4	×
121	B801-616	Bolt M6×16	×	273	2800006	Washer 8	×
122	5208022	PTO Switch	×	274	5002125	Stop bracket LH torsion spring	×
123	5204015A	Fuel Valve	×	275	5002117	Torsion spring, LH	×
124	B6182-6	Nut M6	×	276	5002115	Left brake panel	×
125	5002031	Right Switch Bracket	×	255	5000016A	Seat Switch	×
126	5002210	Brake Cable	×	256	B845-ST6312	Screw ST6.3×12	×
127	5002005	Cable Mount Bracket	×	257	5002270	Washer	×
128	5002026	Brake Adjustment Link	×	258	5000083	Seat Rail	×
129	5000090	Seat	×	287	5000002	Seat Pull Rod	×



WORLDLAWN®

Engine System





WORLDLAWN®

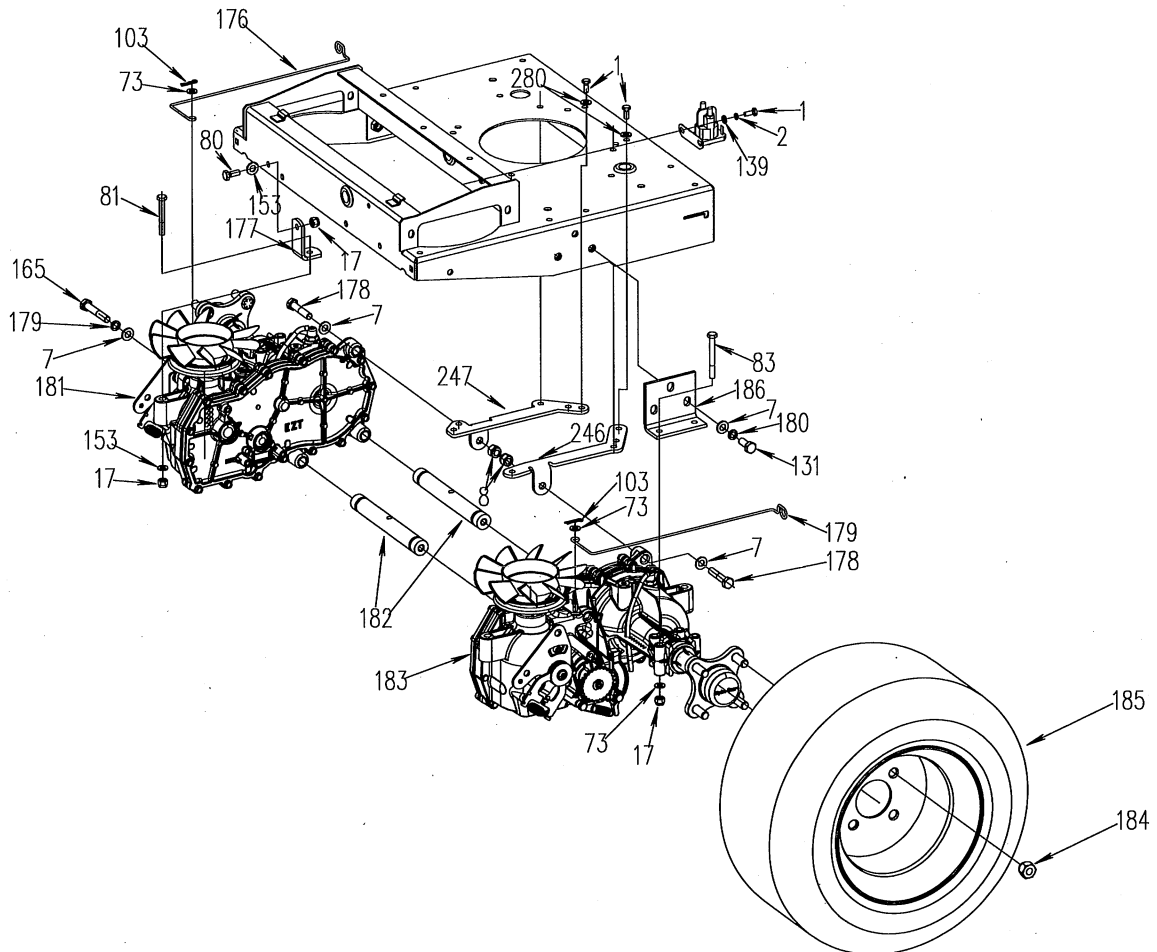
Engine System

REF.	PART NO.	DESCRIPTION	50	REF.	PART NO.	DESCRIPTION	50
8	B6182-10	Nut M10	×	159	5201061	Washer	×
13	B5782-10100	Bolt M10×100	×	160	5203412	Bolt 7/16-20UNF×3	×
17	B6182-8	Nut M8	×	161	5002160	Tension Pulley ASM	×
286	3302058	Washer 10	×	162	4806004	Tension Pulley Spring	×
73	B97.1-8	Flat Washer #8	×	163	5002004	Pump Drive Belt	×
107	B5783-825	Bolt M8×25	×	164	5208203	Battery Clamp Bolt	×
140	3302190	Three Prong Knob	×	165	B5782-1060	Bolt M10×60	×
141	5002195	Fan Cover	×	166	5002175	Tension Idler	×
142	B62-6	Nut M6	×	167	B276-6303RS	Bearing 6303-2RS	×
143	3203004	Battery Strap	×	168	B893.2-47	Snap Ring 47	×
144	5208002	Battery 12V 33AH	×	169	5002161	Tension Pulley Spacer	×
145	5203045	Spring Cap	×	170	5002165	Pump Tension Arm	×
146	5002022	Spring	×	171	5002164	Tension Idler Spacer10	×
147	B5783-845	Bolt M8×45	×	172	B2685-202420	Bearing 20×24×20	×
148	5002159	Clutch Stop Spacer	×	173	5002163	Pivot Bushing	×
149	5203408	Washer 8	×	174	3307004	Washer 11	×
150	5203411	Clutch Stop Strap	×	175	FR730	Engine	×
151	5203410	17 Rubber Washer	×		B&S	Engine	×
152	5203409	Clutch Stop Spacer	×	187	3601020	Wire Clamp	×
153	B5782-8100	Bolt M8×100	×	273	2800006	Washer 8	×
154	B5783-835	Bolt M8×35	×	283	B8870-50	Hose clamp 32-50	×
155	3607002	Engine Shaft Spacer	×	284	5002240	Muffler Adaptor (B&S)	×
156	5002152	Pump Drive Pulley	×	285	5203420	Oil Drain Pipe (B&S)	×
157	5203405	Key 6.35×25	×	290	5002268	Muffler (Kawasaki FR)	×
158	4804005	Electric Clutch	×				



WORLDLAWN®

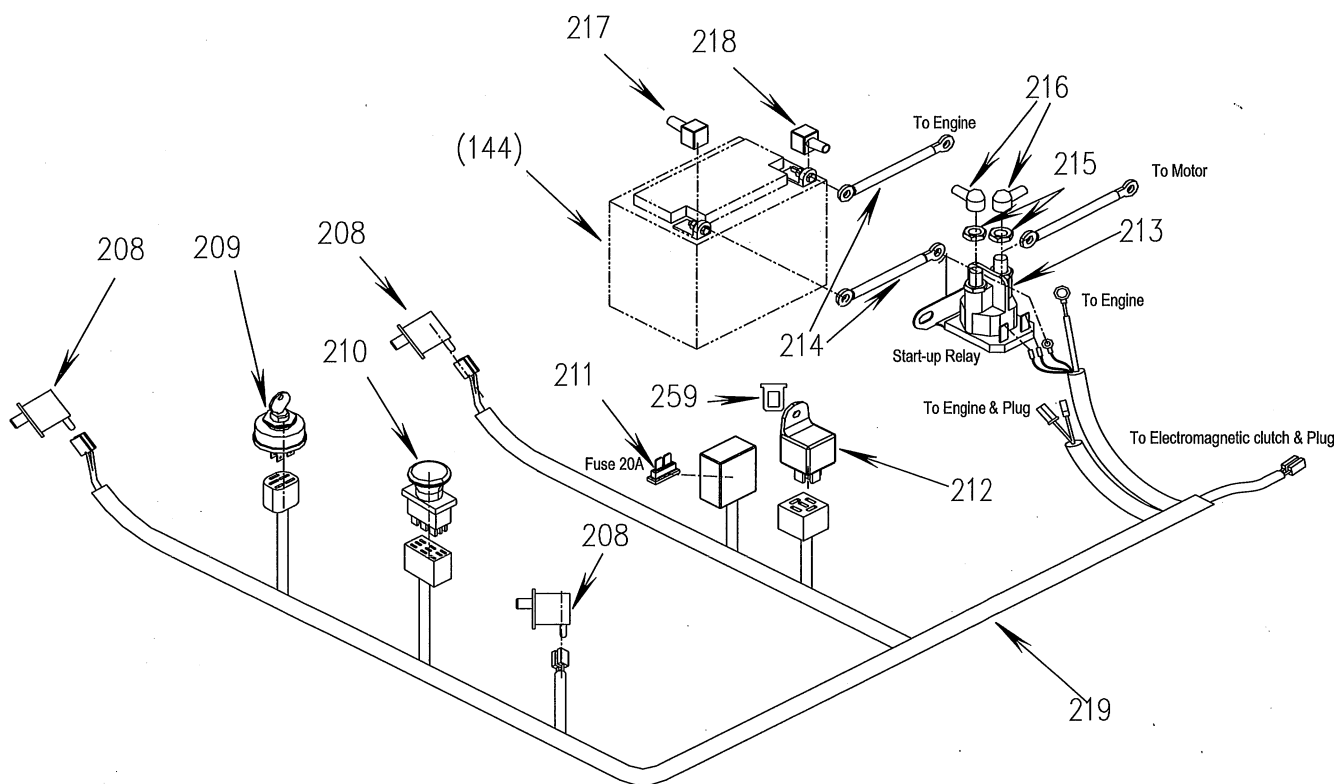
Driving System



REF.	PART NO.	DESCRIPTION	50
1	B5783-616	Bolt M6×16	×
2	B97.1-6	Washer 6	×
7	B97.1-10	Washer 10	×
17	B6182-8	Nut M8	×
73	B97.1-8	Washer 8	×
81	B5782-860	Bolt M8×60	×
83	B5782-870	Bolt M8×70	×
103	XSZ56-1-17	Hair Pin	×
107	B5783-825	Bolt M8×25	×
131	B5783-1025	Bolt M10×25	×
139	B93-6	Washer 6	×
165	B5782-1060	Bolt M10×60	×
176	5002024	Right Pressure Relief Rod	×
177	5002012	Fixed Plate, Front	×

REF.	PART NO.	DESCRIPTION	50
178	B5782-1050	Bolt M10×50	×
179	5002023	Left Pressure Relief Rod	×
180	B93-10	Washer 10	×
181	5002011	Right Drive Axle	×
182	5002080	Axle Weldment	×
183	5002010	Left Drive Axle	×
184	5000001	Nut 1/2-20UNF	×
185	5000050	Tire 18×9.5-8	×
186	5002013	Side Fixed Plate	×
246	5002014	Left Rear Fixed Plate	×
247	5002015	Right Rear Fixed Plate	×
273	2800006	Washer	×
280	2802183	Washer 6	×

Electric System



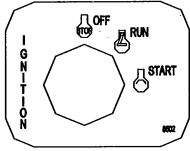
REF.	PART NO.	DESCRIPTION	50
208	5008003	Switch (Normal Open)	×
209	5208003	Ignition Switch	×
210	5208022	PTO Switch	×
211	5208007	Fuse 20A	×
212	5208011	Relay 12V	×
213	5208043	Starter Relay	×
214	5208004	Battery Cables (+550)	×
215	5008005	Nut 5/16-24UNF	×

REF.	PART NO.	DESCRIPTION	50
216	2808107	Relay Cable Cover	×
217	3312032	Cover (positive)	×
218	3312031	Cover (negative)	×
219	5008001	Wiring Harness (B&S)	×
	5008009	Wiring Harness (Kawasaki)	×
259	5008012	Relay	×
144	5208002	Battery 12V 33AH	×



WORLDLAWN®

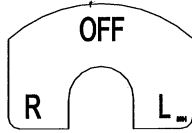
Decals



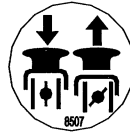
220



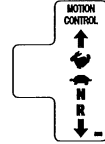
221



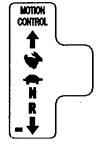
222



223



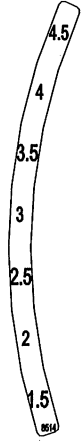
233



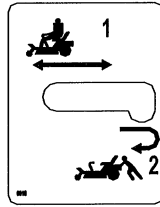
236



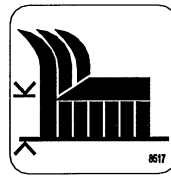
245



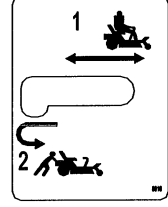
227



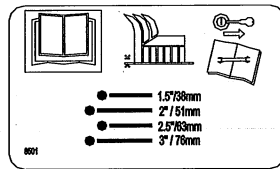
229



228



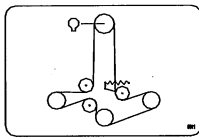
230



239



232



241



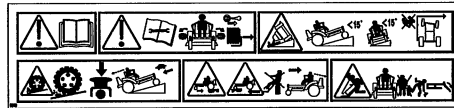
238



225



240



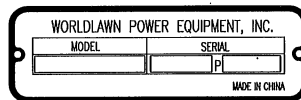
235



234



224



231



226



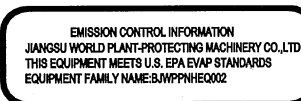
242



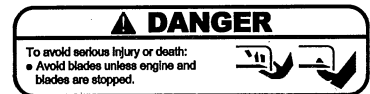
243

Worldlawn Power Equipment

244



401



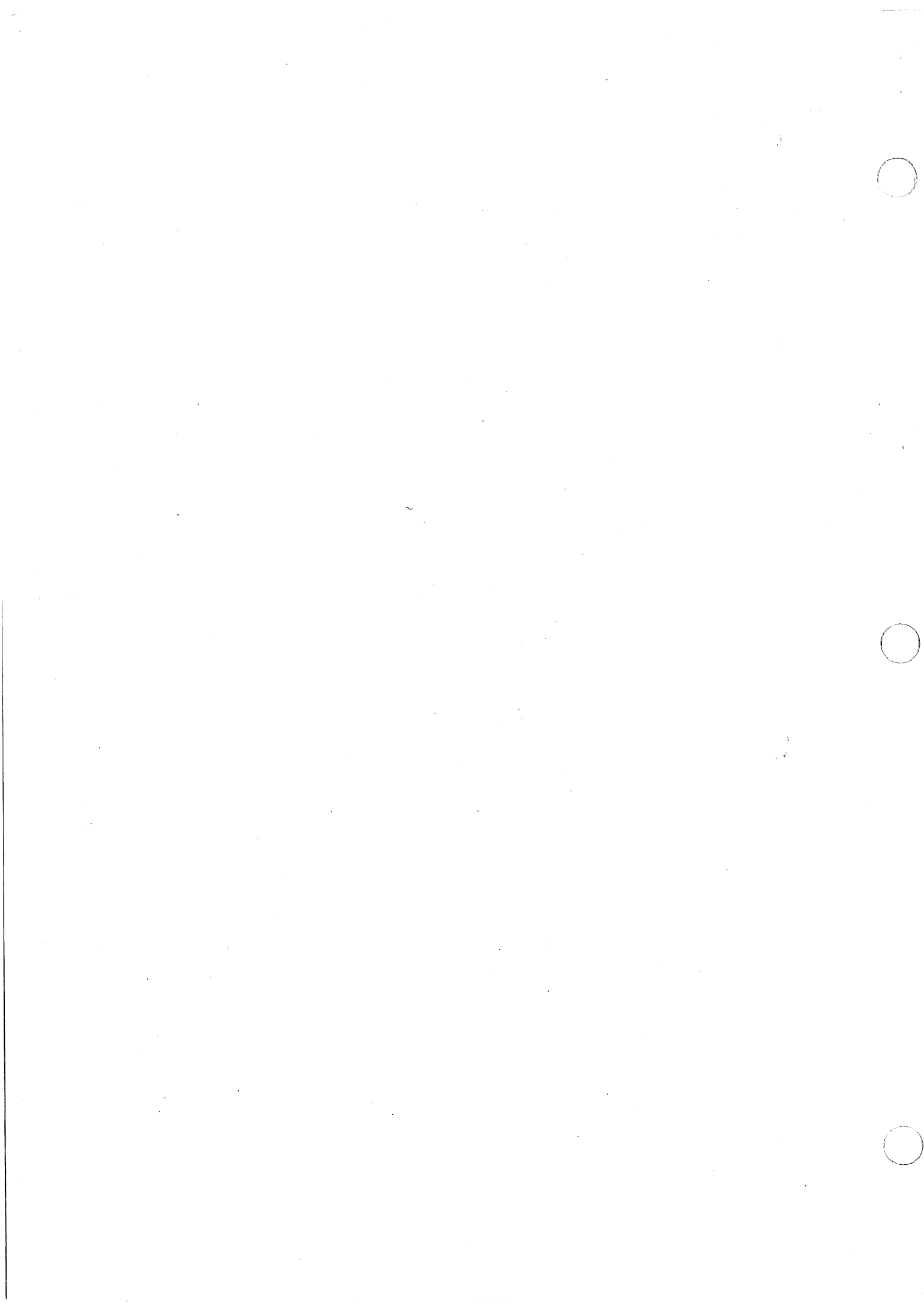
237

Decals



REF.	PART NO.	DESCRIPTION	50
220	8502	Ignition Switch Decal	×
221	8503	PTO Run Stop Decal	×
222	8504	Fuel Valve Decal	×
223	8507	Choke Decal	×
224	8500	Viper Logo	×
225	8303	Caution Guard	×
226	8375	WORLD Logo	×
227	8514	Cutting Height Inner	×
228	8517	Cutting Height Locator	×
229	8516	Transaxle Release LH	×
230	8518	Transaxle Release RH	×
231	8046	Serial Plate	×
232	8318	Rear Guard	×
233	8508	Motion Control LH	×

REF.	PART NO.	DESCRIPTION	50
234	8307	Discharge Warning	×
235	8519	Operational Warning	×
236	8512	Motion Control RH	×
237	8325	Danger Blades	×
238	8515	Rotating Parts	×
239	8501	International Logo	×
240	8513	Decal 50"	×
241	8511	Deck Belt Routing	×
242	8308	Shield Warning	×
243	8305	Danger Foot Plate	×
244	8341	Worldlawn logo	×
245	8510	Cutting Height Outer	×
401	8602	EPA Label	×





WORLDLAWN®

Worldlawn Power Equipment, Inc.

2415 Ashland Avenue, Beatrice, NE 68310

E-mail: worldlawnmower@adelphia.net