

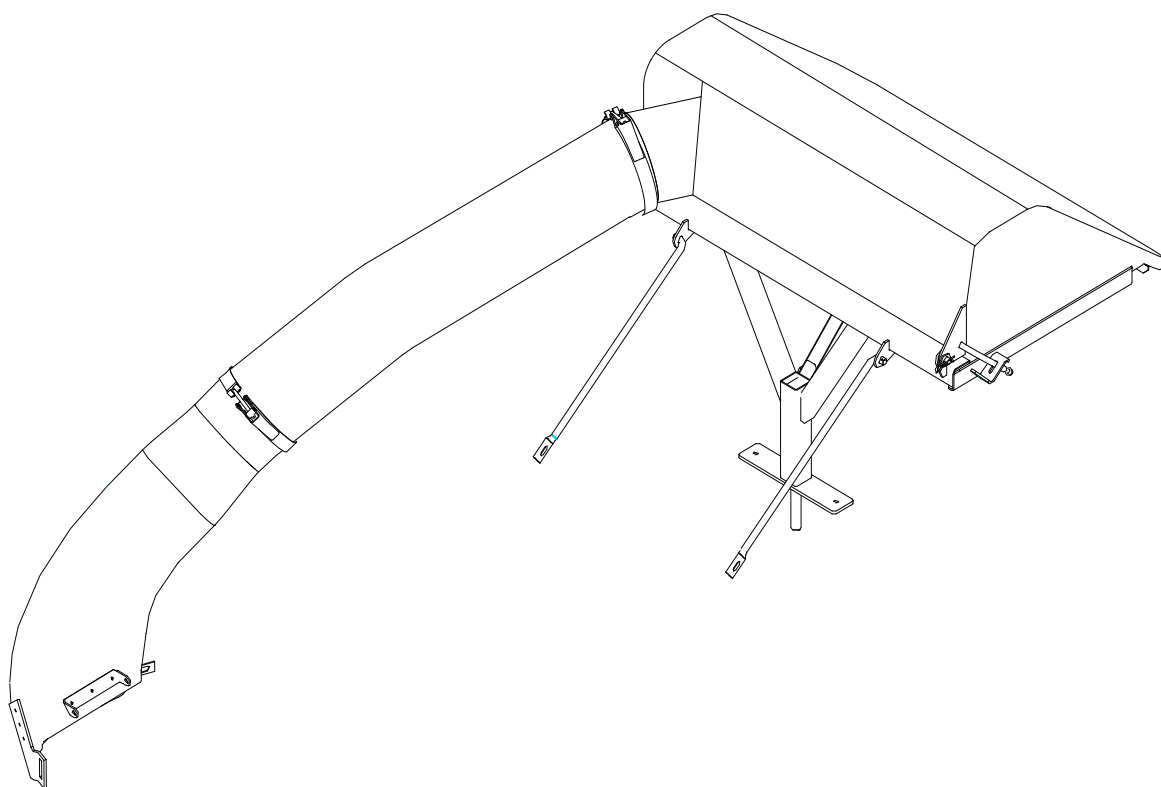
# Operator's Manual



## **WORLDLAWN<sup>®</sup>**

### **BAGGER**

### **WYZ46S/50U/60U-CS**



**Worldlawn Power Equipment, Inc.**

**Industrial Park 2415 Ashland Ave. Beatrice NE 68310**

**Toll Free Number: 1-800-267-4255**



## OPERATOR'S MANUAL

This grass catcher manual is for the **WYRZ46S/50U/60U** lawn mower. Before operating the grass catcher, read this manual in its entirety carefully.

Keep this Grass Catcher Owner's Manual when lent or transferred.

If this Operator's Manual becomes lost, damaged, or illegible, replace it immediately. Replacements may be ordered through our sales department or our dealers. If additional information is needed, contact our sales department or a dealer. Always give the model number and serial number for the mower and the bagger.

To improve the quality, performance, and security of our products, we may make changes to our products. Sorry for the inconvenience if you find the products in hand a bit different from the manual.

### **WARNING**

#### **POTENTIAL HAZARD**

- This product is a piece of power equipment.

#### **WHAT CAN HAPPEN**

- Failure to follow safe operating practices can result in serious operator injury or even death.

#### **HOW TO AVOID THE HAZARD**

- Keep all shields, guards, and safety devices in place and in proper working condition.
- Stop engine and wait for all moving parts to stop, remove spark plug wires or remove key before adjusting, servicing, or performing maintenance.
- If mower deck becomes clogged, stop engine and wait for all moving parts to stop. Remove spark plug wire or remove key before cleaning blockage.
- Keep hands, feet, and clothing away from power driven parts.
- Keep others off of mower.



# Table of Contents

---

<b>1. Safety.....</b>	<b>1</b>
<b>1.1 Safety Information.....</b>	<b>1</b>
<b>1.2 Safety Alert Symbol.....</b>	<b>1</b>
<b>2. Safety and Instruction Decals.....</b>	<b>1</b>
<b>3. Installing Bagger.....</b>	<b>2</b>
<b>3.1 Unpacking.....</b>	<b>2</b>
<b>3.2 Install Blade and Deck Discharge Tube.....</b>	<b>2</b>
<b>3.3 Install Lower Frame/Bag Base Frame.....</b>	<b>2</b>
<b>3.4 Install Catcher Hood.....</b>	<b>3</b>
<b>3.5 Install Grass Bags.....</b>	<b>3</b>
<b>3.6 Install Grass Tube Assembly.....</b>	<b>3</b>
<b>3.7 Install Weight Frame.....</b>	<b>4</b>
<b>4. Operation.....</b>	<b>4</b>
<b>4.1 Controls.....</b>	<b>4</b>
<b>4.2 Emptying the Grass Bags.....</b>	<b>5</b>
<b>4.3 Cleaning Obstructions from the Bagger System.....</b>	<b>5</b>
<b>4.4 Transporting Machines.....</b>	<b>6</b>
<b>4.5 Operating Tips.....</b>	<b>6</b>
<b>5. Maintenance and Adjustment.....</b>	<b>7</b>
<b>5.1 Cleaning Debris.....</b>	<b>7</b>
<b>5.2 Replacing the Bag.....</b>	<b>7</b>
<b>6. Storage.....</b>	<b>7</b>
<b>7. Troubleshooting.....</b>	<b>8</b>
<b>8. Parts Catalog.....</b>	<b>9</b>
<b>8.1 Deck Discharge Tube and Blade Assembly.....</b>	<b>10</b>
<b>8.2 Lower Frame Assembly.....</b>	<b>11</b>
<b>8.3 Upper Frame Assembly.....</b>	<b>12</b>
<b>8.4 Grass Tube and Bag Assembly.....</b>	<b>13</b>
<b>8.5 Weight Frame Assembly.....</b>	<b>14</b>


## 1. Safety

**1.1 The following list contains safety information specific to WORL DLAWN products and other safety information you must know.**

- a) Regard the mower as a piece of power equipment and the operator needs to be trained before operating this unit.
- b) Read the instructions carefully. Be thoroughly familiar with controls, safety decals, and the proper use of the equipment.
- c) Never allow children, teenagers, or adults to operate the equipment without proper instruction.
- d) Keep everyone, especially children and pets, away from the area of operation. Remember that the operator or user is responsible for accidents or hazards occurring to other people or their property.
- e) Do not use a grass catcher on steep slopes. The weight of a full grass catcher could cause loss of control or overturn the machine.
- f) Keep all movement on slopes slow and gradual. Do not make sudden changes in speed, direction, or turning.
- g) The grass catcher can obstruct the view to the rear. Use extra care when operating in reverse.
- h) Keep hands and feet away from moving parts. Do not make adjustments with the engine running.
- i) Do not leave grass in grass catcher for extended periods of time and clean up the debris frequently.
- j) Grass catcher components are subject to wear, damage, and deterioration, which could expose moving parts or allow objects to be thrown. Frequently check components and replace with manufacturer's recommended parts, when necessary.


k) Stop the engine and remove the key before transporting the grass catcher or unclogging the chute.

## 1.2 SAFETY ALERT SYMBOL


This **SAFETY ALERT SYMBOL**  is used both in this manual and on the machine to identify important safety messages which must be followed to avoid accidents. This symbol means:

**ATTENTION! BECOME ALERT!  
YOUR SAFETY IS INVOLVED!**


The above safety alert symbol alerts you to unsafe actions or situations by the word **DANGER**, **WARNING**, or **CAUTION**.

 **DANGER** : White letters on red background.

Failure to observe the safety instructions could result in death or serious injury.

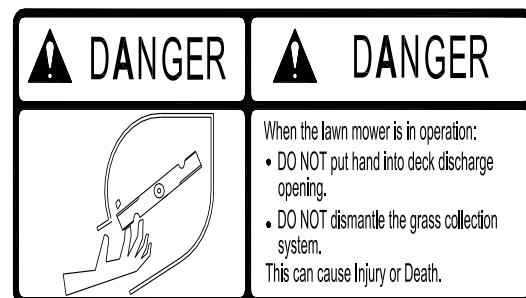
 **WARNING** : Black letters on orange background.

Failure to observe the safety instructions could result in death or serious injury.

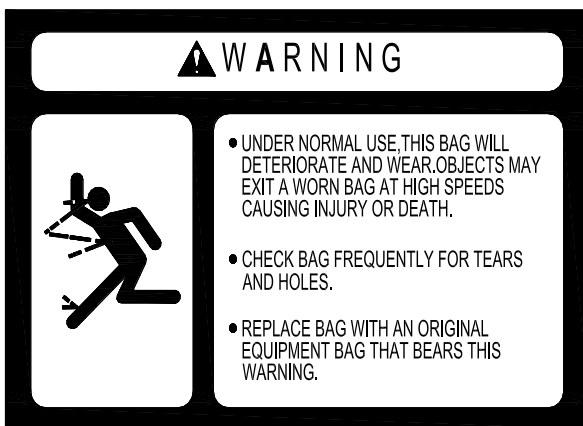
 **CAUTION** : Black letters on yellow background.

Failure to observe the safety instructions may result in slight or serious injury.

## 2. Safety and Instruction Decals



8607



8352

### 3. Installing Bagger

#### 3.1 Unpacking

- Open crate.
- Remove loose parts (i.e., Operator's manual, etc) from crate.
- Remove unit from crate, check crate thoroughly for loose parts.

#### 3.2 Install Blade and Deck Discharge Tube

a) Remove Part No. 4 and 5 from the mower deck. (Keep the removed parts in a bag for later use.) Part No. 6, 7, and 8 are needed in installing deck discharge tube. (FIG 1)

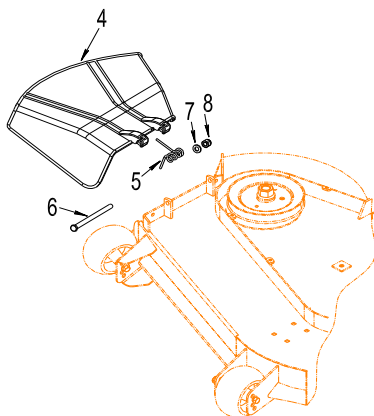


FIG 1

b) Install the deck discharge tube. Place slot on outside edge of Part No. 350 (deck discharge tube) over welded tab on outside edge of mower deck. Line up top bracket holes of deck discharge tube with holes in tabs welded to top of deck discharge. Insert bolt, add washer and nut and tighten securely. Insert M8x16 bolt into inside side bracket of tube assembly and hole provided in deck, add washer and nut and tighten securely. (FIG2)

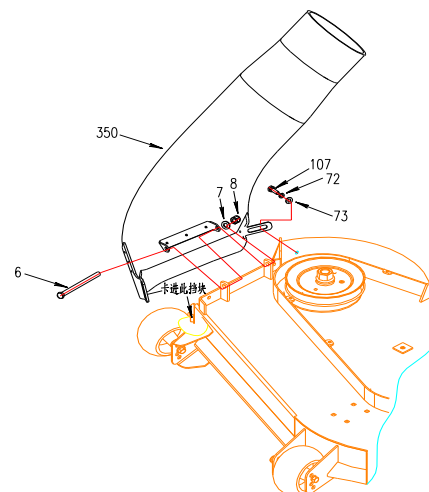


FIG 2

#### 3.3 Install Lower Frame/Bag Base Frame

Insert pin of Part No. 314 (lower frame weldment) into the hole provided in the bumper of the machine. Install bolts, nuts, and washers into lower frame and bumper; tighten.

- Attach Part No. 315 (bag base frame weldment) to lower frame by catching formed tabs inside of holes provided in bag base frame. Move from vertical position to horizontal position and lock into place. Attach Part No. 316 (support tube) with bolts, washers, and nuts; tighten.

- Insert Part No. 317 (connecting rods) into holes provided on inside tabs of bag base frame. Install washers and hairpin cotter pins. Connect lower end

of rod to machine through hole of rod and hole provided in tank support bracket with bolts, washers, and nuts; tighten. (FIG3)

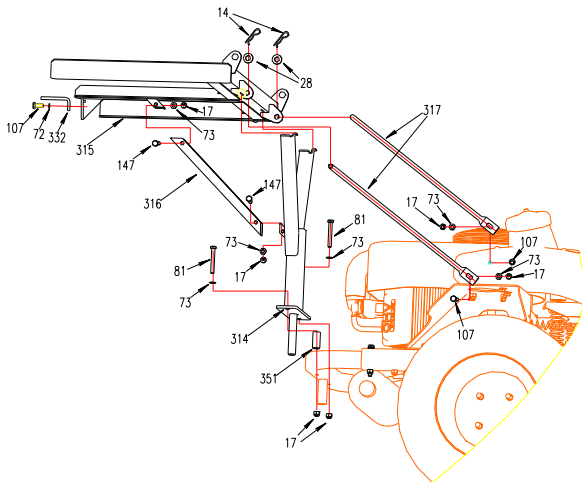


FIG 3

### 3.4 Install Catcher Hood

- Line up pins of bag base frame with holes of Part No. 331 (catcher hood) and lower hood onto frame. Install Part No. 28 and 14 (washers and cotter pins).
- Insert the threaded end of Part No. 318 (hood stop rod) into the slotted tab on bag base frame; add Part No. 319 (flange nut) and tighten.
- Insert the top end of hood stop rod into the hole in catcher hood tab. Install Part No. 73 and 103 (washer and cotter pin). (FIG 5)

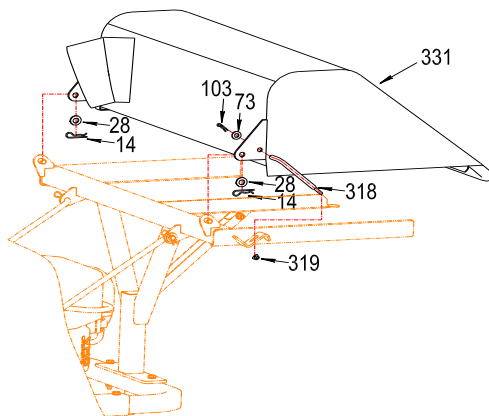


FIG 5

### 3.5 Install Grass Bags

Slide Part No. 327 (bags) into the bag base frame.

**Note:** Keep decals facing outward. (FIG 6)

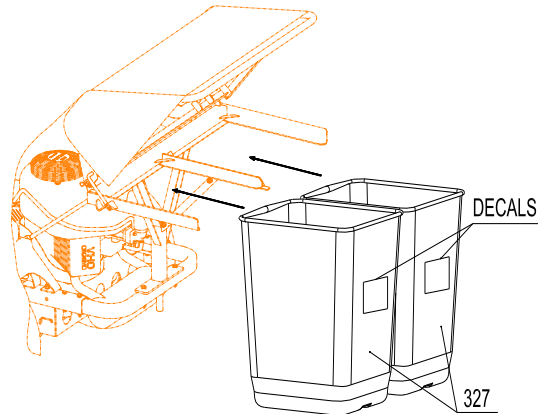


FIG 6

### 3.6 Install Grass Tube Assembly

Slide Part No. 326 (hose clamp) onto Part No. 325 (grass tube) and attach to deck discharge tube. Slide clamp onto other end of grass tube and attach this end of grass tube to catcher hood. Tighten hose clamps. (FIG7) **Note:** Hose clamps are adjustable.

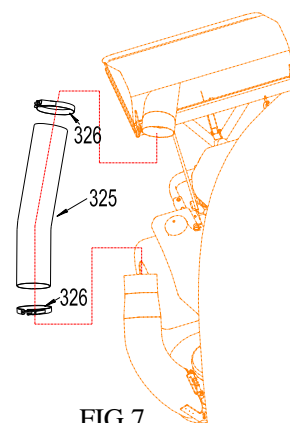


FIG 7





**⚠ WARNING**

**POTENTIAL HAZARD**

- While operating, not aware of safe working area.
- Haven't shut off engine and set the parking brake while mower is unattended.
- Children or bystanders attempt to move or operate the mower.

**WHAT CAN HAPPEN**

- Bystanders may be injured while moving forward, backward, or turning around.
- Children or bystanders may be injured if they move or attempt to operate the mower while it is unattended.

**HOW TO AVOID THE HAZARD**

- Keep a safe working area.
- Always stop the engine, remove the ignition key, and set the parking brake when leaving the machine unattended, even if just for a few minutes.
- Children or bystanders should not be allowed to operate the mower.

**4.2 Emptying the Grass Bags**

**Grass bags are heavy when full. Be careful when lifting or handling a grass bag that is full.**

- 1) Disengage the PTO, set the parking brake, and choke or block the tires if on a slope.
- 2) Unlatch the bagger latch and open the bagger hood.
- 3) Compress the debris into the bags. With both hands, lift up on the bag and unhook it from the bagger bracket.
- 4) Grasp the handle on the bottom of the bag and tip it over to empty the bag.
- 5) Clean off the grass from the bracket, especially the notch of the bracket.
- 6) Push the bag back inside to the original position.

**⚠ WARNING**

**POTENTIAL HAZARD**

- Opening the catcher hood frame when engine is running
- Dumping grass on a slope.
- Lifting full heavy grass bag.
- The grass in the notch of the bagger bracket is not cleaned out.

**WHAT CAN HAPPEN**

- If the catcher hood frame is opened when the engine is running, the debris can injure you, for example, eye injury.
- Even though you have set the brake system, you may lose control and slip on a slope.
- You may be injured when lifting a fully loaded bagger.
- The bagger will not be correctly placed into position and the catcher hood frame will not latch.

**HOW TO AVOID THE HAZARD**

- Stop the engine and wait for all moving parts to stop before cleaning the bagger system.
- Use a block or appropriate blocking object to obstruct the wheels on a slope.
- Lift the bagger using both hands
- Clean off the grass from the bracket, especially the notch in the bagger bracket.

**4.3 Cleaning Obstructions from the Bagger System**

- 1) Disengage the PTO and set the parking brake.
- 2) Turn off the engine, remove the key, and wait for all moving parts to stop.
- 3) Empty the bags.
- 4) Remove the grass tube.
- 5) Use a stick or similar object, **not your hands**, to remove and clear the obstruction from the tube assembly.
- 6) Raise the rear of the unit and support it with jack

stands or equivalent support to the transportation

**⚠ CAUTION**

**POTENTIAL HAZARD**

- Raising the rear of the unit relying solely on jacks could be dangerous.

**WHAT CAN HAPPEN**

- The jacks may not be enough support or may malfunction allowing the unit to fall, which could cause injury.

**HOW TO AVOID THE HAZARD**

- DO NOT rely solely on the jacks for support. Use adequate jack stands or equivalent support.

- 7) Use a stick or similar object, **not your hands**, to remove and clear the obstruction from the deck discharge tube, bagger, and under the deck.
- 8) After you remove the obstruction, install the complete bagger system and resume operation.

#### 4.4 Transporting Machines

Do not leave grass or debris in the bagger while transporting the machine.

**⚠ WARNING**

**POTENTIAL HAZARD**

- Left grass or debris in the bagger while transporting the machine.

**WHAT CAN HAPPEN**

- Transporting the machine with grass or debris in the bagger can damage the machine.

**HOW TO AVOID THE HAZARD**

- Do not leave grass or debris in the bagger while transporting the machine.

#### 4.5 Operating Tips

- 1) Remember that the machine is longer and wider with this attachment installed. By turning too sharply in confined places you can damage the attachment or other property.
- 2) Always trim with the left side of the mower.
- 3) Cut the grass often, especially when it grows rapidly. For best cutting appearance, be sure to slightly overlap the mower into the previously cut

position.

area. This helps reduce the load on the engine and reduce the chance of plugging the discharge and grass tubes.

**⚠ CAUTION**

**POTENTIAL HAZARD**

- Cutting the grass too high and moving forward too fast.

**WHAT CAN HAPPEN**

- Discharge, center grass tube and bagger inlet tube can become plugged.

**HOW TO AVOID THE HAZARD**

- When the grass is too long, be sure to cut it several times and move slowly.

- 4) If the grass is ever allowed to grow longer than normal or if it contains a high degree of moisture, raise the cutting height higher than usual and cut and bag the grass at this setting; then cut and bag the grass again using the lower normal setting.

Excessively long grass is heavy and may not be completely propelled into the bagger.

- 5) If possible, always try to cut grass when it is dry. Wet grass can cause plugging.
- 6) To avoid plugging the bagging system, reduce ground speed and mow the grass at a high cutting height; then lower the mower to your normal cutting height and repeat the bagging process.
- 7) As you are bagging, small amounts of grass clipping normally blow out of the front of the mower. An excessive amount of clipping blow-out indicates that the bagger is full or the grass tubes are plugged.
- 8) Always lift the deck to the highest position when loading the machine on a trailer or passing a curb.

## 5. Maintenance & Adjustment

**⚠ WARNING**

**POTENTIAL HAZARD**

- Engine is started when making an adjustment.

**WHAT CAN HAPPEN**

- Suddenly starting the engine may result in serious injury or death.

**HOW TO AVOID THE HAZARD**

- Before adjusting, remove the key.

**⚠ WARNING**

**POTENTIAL HAZARD**

- Engine is overheating.

**WHAT CAN HAPPEN**

- Severe burns can occur on contact.

**HOW TO AVOID THE HAZARD**

- Allow engine parts, especially the muffler, to cool before maintaining and servicing.

Maintenance Service Interval	Maintenance Schedule
Before each use or daily	<ol style="list-style-type: none"> <li>1. Wash and clean the grass catcher tube.</li> <li>2. Clean the bags.</li> </ol>

### 5.1 Cleaning debris

Maintenance Interval: Daily

- 1) Turn off the engine, remove the key, and wait for all moving parts to stop.
- 2) Raise the front of the unit and support it with jack stands or equivalent support to the transportation position.

**⚠ CAUTION**

**POTENTIAL HAZARD**

- Raising the front of the unit relying solely on jacks could be dangerous.

**WHAT CAN HAPPEN**

- The jacks may not be enough support or may malfunction allowing the unit to fall, which could cause injury.

**HOW TO AVOID THE HAZARD**

DO NOT rely solely on the jacks for support. Use adequate jack stands or equivalent support.

- 3) Clean the debris from the underside of the mower and in the bagger assembly.
- 4) Wash the inside and outside of the bags, dust cover, and the grass tube of the mower.
- 5) After washing all of the parts, let them dry thoroughly and reinstall them.
- 6) With all parts installed, start and run the machine for a minute to assist in drying.

### 5.2 Replacing the bag

When the bag needs to be replaced:

- 1) Disengage the PTO, move the motion control levers to the neutral locked position, and set the parking brake system.
- 2) Stop the engine, remove the key, and wait for all moving parts to stop before leaving the operating position.
- 3) Unlatch the catcher hood frame.
- 4) Detach the bags from the bagger frame.
- 5) Replace with the new bags.

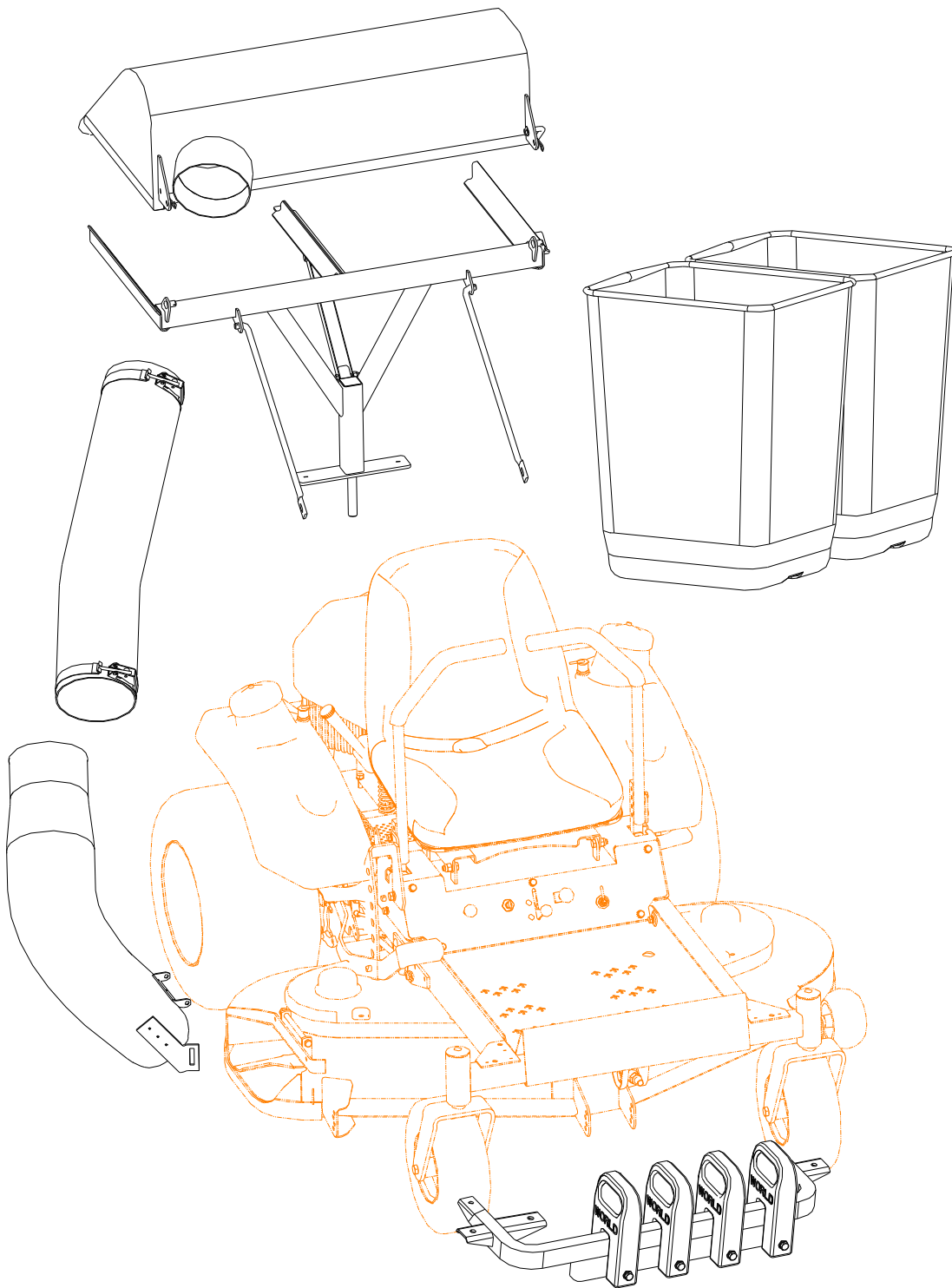
## 6. Storage

- a) Clean the bagger attachment. Refer to cleaning the bagger.
- b) Inspect the bagger attachment for damage.
- c) Make sure the bags are empty and thoroughly dry.
- d) Store the machine in a clean, dry place, out of direct sunlight. If you must store the machine outside, cover it with a weatherproof cover. This protects the plastic parts and extends the life of the machine.

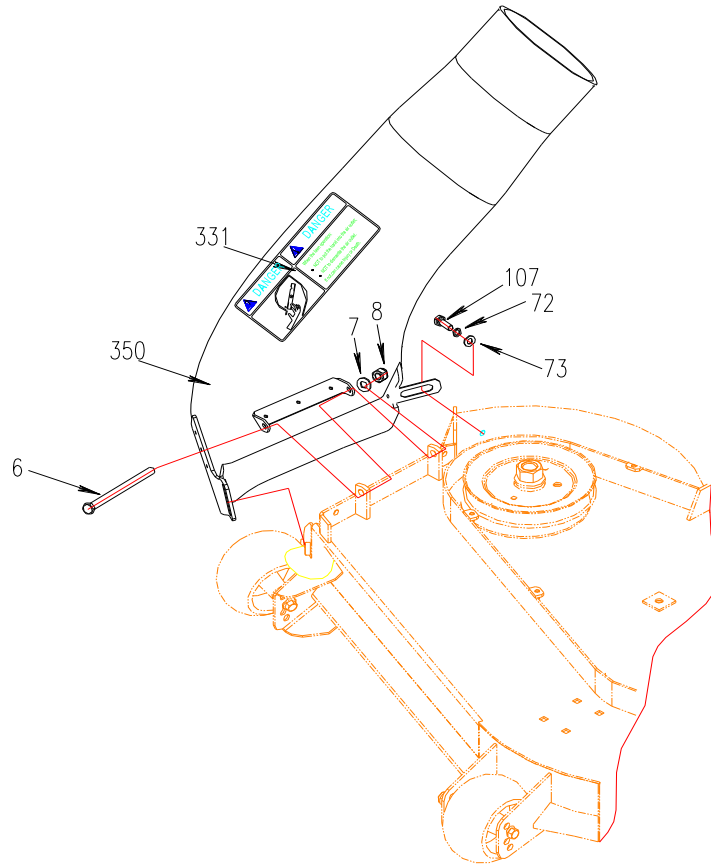
## 7. Troubleshooting

<b>Problem</b>	<b>Possible Cause</b>	<b>Corrective Action</b>
Abnormal vibration	<ul style="list-style-type: none"> <li>● Cutting blades are bent or unbalanced</li> </ul>	<ul style="list-style-type: none"> <li>● Install new cutting blade</li> </ul>
Reduced bagging performance	<ul style="list-style-type: none"> <li>● Low engine speed</li> <li>● Plugged screen in bagger hood</li> <li>● Full bags</li> </ul>	<ul style="list-style-type: none"> <li>● Always operate the bagger at full throttle</li> <li>● Remove debris, leaves, or grass clippings from the screen</li> <li>● Empty the hopper</li> </ul>
Grass tubes plug too frequently	<ul style="list-style-type: none"> <li>● Bags are too full</li> <li>● Low engine speed</li> <li>● Grass is too wet</li> <li>● Grass is too long</li> <li>● Ground speed is too fast</li> </ul>	<ul style="list-style-type: none"> <li>● Dump bags more frequently</li> <li>● Always operate the bagger at full throttle</li> <li>● Cut grass when it is dry</li> <li>● Cut the grass several times</li> <li>● Drive slower at full throttle</li> </ul>
Debris blowout	<ul style="list-style-type: none"> <li>● Bags are too full</li> <li>● Plug in the bagger system</li> <li>● Ground speed is too fast</li> </ul>	<ul style="list-style-type: none"> <li>● Dump bags more frequently</li> <li>● Clean the bagger system</li> <li>● Drive slower at full throttle</li> </ul>

## 8. Parts Catalog

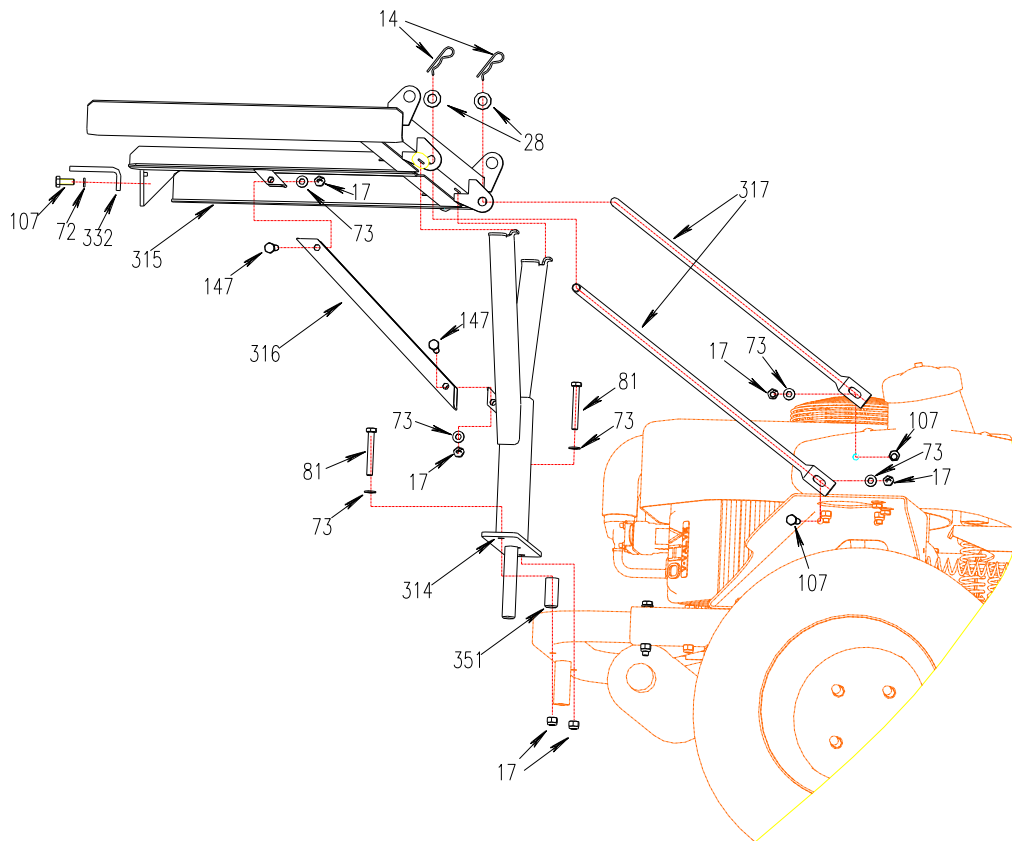


## 8.1 Deck Discharge Tube and Blade Assembly



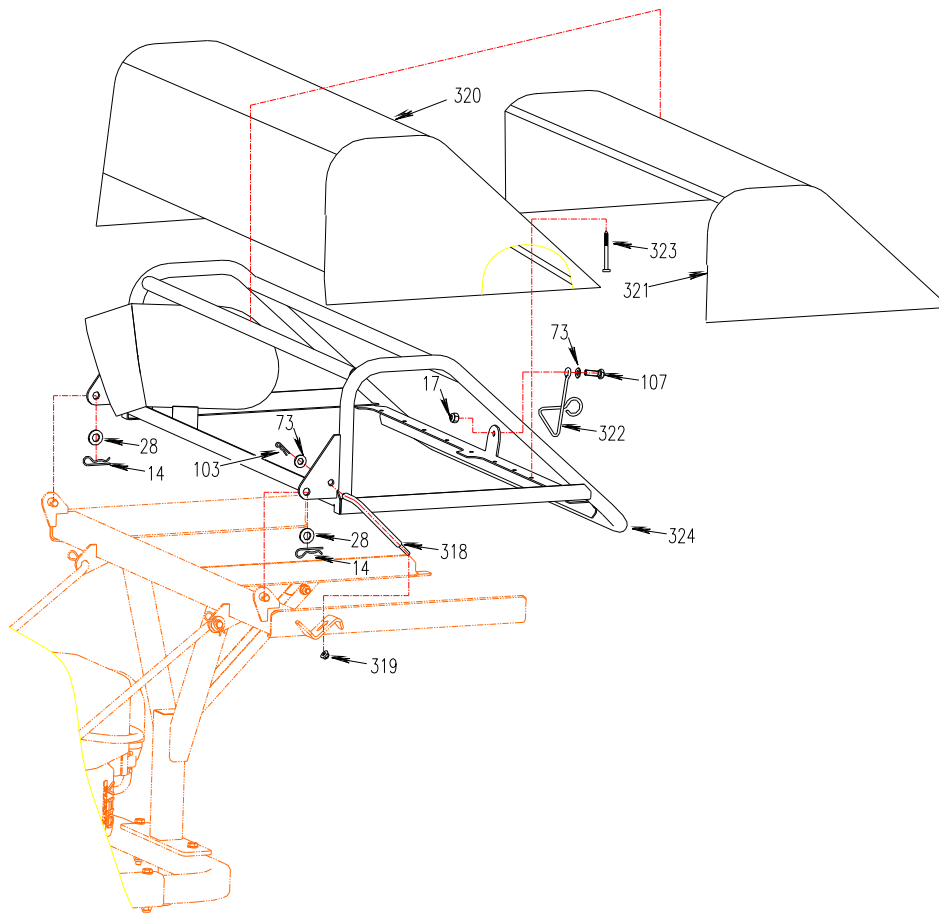
REF.	PART NO.	DESCRIPTION	WYRZ46S	WYRZ50U	WYRZ60U
6	2802008	Hex Hd Bolt M10x160	×	×	×
7	B97.1-10	Flat Washer M10	×	×	×
8	B6182-10	Locknut M10	×	×	×
72	B93-8	Split Lock Washer M8	×	×	×
73	B97.1-8	Flat Washer M8	×	×	×
107	B5783-816	Hex Hd Bolt M8x16	×	×	×
331	8607	Decal,Danger	×	×	×
350	5003008	Deck Discharge Tube	×	×	
	5003013	Deck Discharge Tube			×

## 8.2 Lower Frame Assembly



REF.	PART NO.	DESCRIPTION	WYZ46S	WYZ50U	WYZ60U
14	5202012	Hair Pin Cotter	x	x	x
17	B6182-8	Locknut M8	x	x	x
28	B97.1-12	Washer M12	x	x	x
72	B93-8	Washer 8	x	x	x
73	B97.1-8	Flat Washer M8	x	x	x
81	B5782-880	Hex Hd Bolt M8x80	x	x	x
107	B5783-825	Hex Hd Bolt M8x25	x	x	x
147	B5782-845	Bolt M8x45	x	x	x
314	5003079	Lower Frame Weldment 2	x	x	x
315	5003060	Bag Base Frame Weldment 1	x	x	x
316	5003063	Support Tube	x	x	x
317	5003002	Connecting Rod	x	x	x
332	5003205	Stop Plate	x	x	x
351	5002371	Clutch Stop Spacer	x	x	x

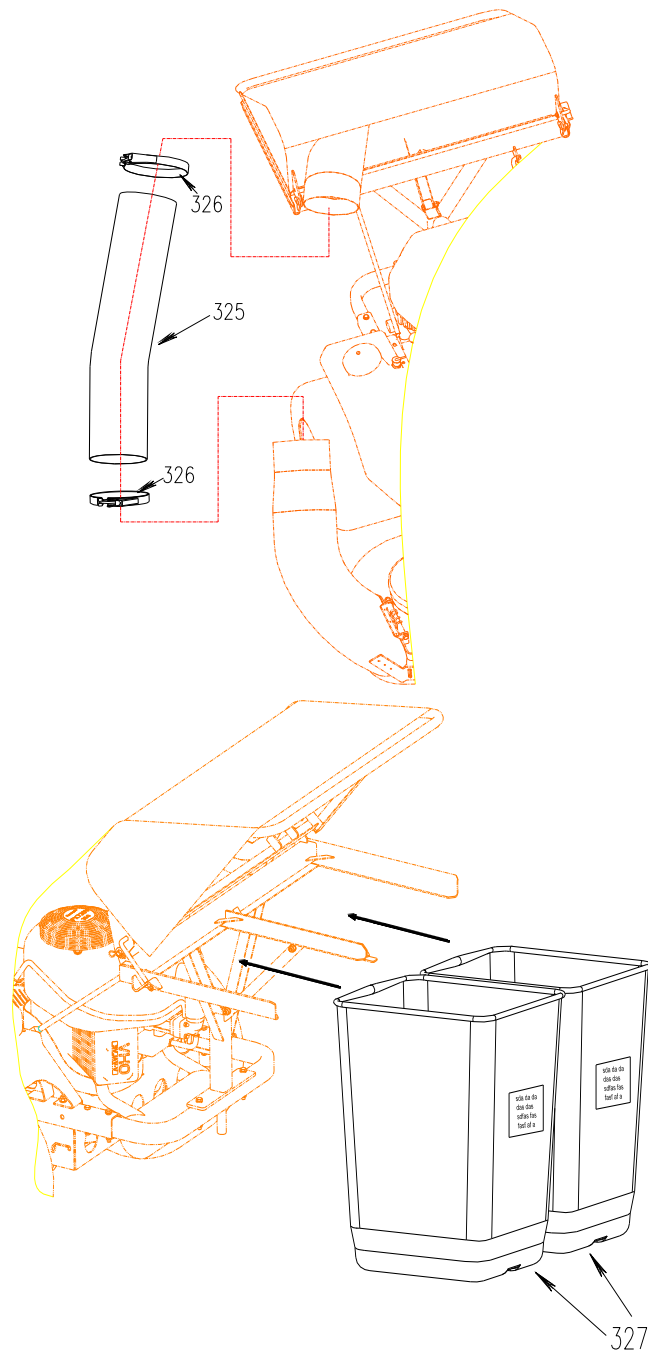
## 8.3 Upper Frame Assembly



REF.	PART NO.	DESCRIPTION	WYRZ46S	WYRZ50U	WYRZ60U
14	5202012	Hair Pin Cotter	×	×	×
17	B6182-8	Locknut M8	×	×	×
28	B97.1-12	Washer M12	×	×	×
73	B97.1-8	Flat Washer M8	×	×	×
103	XSZ56-1-17	Hair Pin Cotter	×	×	×
107	B5783-825	Hex Hd Bolt M8×25	×	×	×
318	5003001	Hood Stop Rod	×	×	×
319	B6187-6	Flange Nut M6	×	×	×
320	5003161	Grass Cover (Hood)	×	×	×
321	5003170	Dust Cover	×	×	×
322	5003003	Limit Spring	×	×	×
323	2808013	Plastic Cable Tie	×	×	×
324	5003040	Bag Upper Frame Weldment	×	×	×

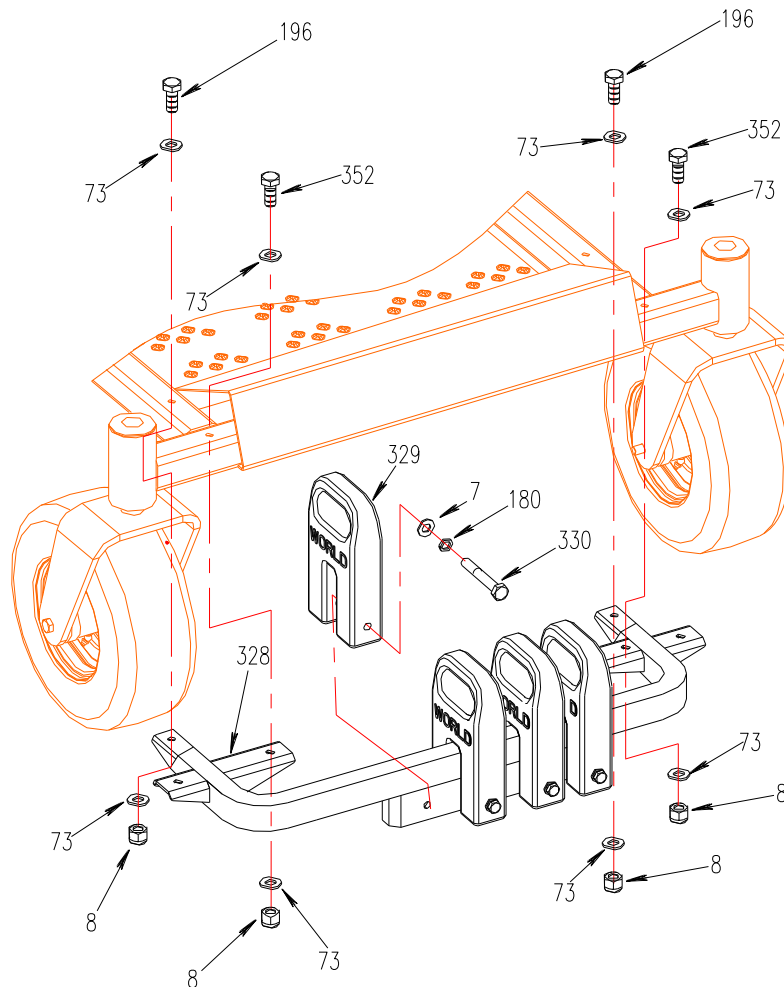


## 8.4 Grass Tube and Bag Assembly



REF.	PART NO.	DESCRIPTION	WYZ46S	WYZ50U	WYZ60U
325	5210008	Center Grass Tube	×	×	×
326	5210240	Hose Clamp	×	×	×
327	5210170	Grass Bag	×	×	×

## 8.5 Weight Frame Assembly



REF.	PART NO.	DESCRIPTION	WYZ46S	WYZ50U	WYZ60U
7	B97.1-10	Flat Washer M10	×	×	×
8	B6182-10	Locknut M10	×	×	×
73	B97.1-8	Flat Washer M8	×	×	×
196	B5783-830	Hex Hd Bolt M8×30	×	×	×
180	B93-10	Washer M10	×	×	×
328	5003187	Weight Frame Weldment	×	×	×
329	5200025	Weights	×	×	×
330	B5782-1070	Bolt M10*70	×	×	×
352	B801-830	Bolt M8*30	×	×	×



**WORLDLAWN®**

**Worldlawn Power Equipment, Inc.**

2415 Ashland Avenue, Beatrice, NE 68310

Phone: (402) 228-4255

Fax: (402) 223-4103

[www.worldlawn.com](http://www.worldlawn.com)

E-mail: [worldlawnmower@adelphia.net](mailto:worldlawnmower@adelphia.net)

Form No. 60105-201312