

WORLDLAWN®

WYZ34K20

OPERATORS MANUAL

Table of Contents

GENERAL INFORMATION	A SECTION
WYZ34K20 Strike Information	A-1
BRIGGS & STRATTON QUICK REFERENCE SHEET.....	A-2
ENCORE WARRANTY INFORMATION	A-3
SAFETY PRECAUTIONS.....	B SECTION
OPERATION.....	C SECTION
BEFORE OPERATING REMIDERS	C-1
ASSEMBLY INSTRUCTIONS.....	C-1
STARTING ENGINE	C-1
STOPPING ENGINE.....	C-1
SAFETY INTERLOCK SYSTEM	C-2
CORRECT TRANSMISSION OPERATION	C-2
MOWING SPEED.....	C-2
MAINTENANCE INFORMATION	D SECTION
SERVICE LOCATOR CHART	D-1
GENERAL INFO.....	D-2
OIL AND FILTER	D-2
TIRE PRESSURE.....	D-2
LUBRICATION	D-2
BATTERY INFORMATION.....	D-2
DECK HEIGHT ADJUSTMENT	D-3
BELT ADJUSTMENT.....	D-3
BYPASS VALVE.....	D-3
DECK LEVELING ADJUSTMENT.....	D-4
TRACKING ADJUSTMENT.....	D-4
MOWER BLADES	D-4
ELECTRICAL.....	E SECTION
WYZ34K20 WIRE HARNESS SCHEMATIC	E-1
NOTES.....	F SECTION



WARNING:

THE ENGINE EXHAUST FROM THIS PRODUCT CONTAINS CHEMICALS KNOWN IN THE STATE OF CALIFORNIA TO CAUSE CANCER, BIRTH DEFECTS OR OTHER REPRODUCTIVE HARMS.



WARNING:

For illustration clarity, some illustrations and figures in this manual may show shields or guards removed. Under NO circumstance should your mower be operated without these devices in place.

IMPORTANT:

A separate Engine Owner's Manual is included with your owner's packet which contains additional engine information that will not be repeated in this manual. You are urged to read it before attempting any operation or repair of the engine. Engine Owner's Manual covers the engine manufactures warranty.

General Information

This manual covers the following equipment models:
WYZ34K20

To the new owner

The purpose of this manual is to assist owners and operators in maintaining and operating the Worldlawn mower and deck. Please read it carefully; information and instructions furnished can help you achieve years of dependable service. A separate Engine Owner's Manual is included with your owner's packet which contains additional engine information that will not be repeated in this manual. You are urged to read it before attempting any operation or repair of the engine.

The Engine Owner's Manual covers the engine manufactures warranty.

It is the owner's responsibility to make certain that the operator reads and understands this manual and all decals before operating this machine. It is also the owner's responsibility to make certain that the operator is a qualified and physically able individual, properly trained in the operation of this equipment. Local regulations may restrict the age of the operator.

Using this manual

General operation, adjustment and maintenance guidance is outlined for both the experienced and novice Worldlawn user. Operating conditions vary considerably and cannot all be addressed individually. Through experience, however, operators should find no difficulty in developing good operating skills suitable to most conditions. Directions used in this manual, for example RIGHT or LEFT, refer to directions when seated on the mower facing forward unless otherwise stated.

Photographs and illustrations used were current at the time of printing, but subsequent production changes may cause your machine to vary slightly in detail. Y UÜŠÖŠÖY PÁJUY ÖÜÁ ÖÜWÖT ÖP, INC. reserves the right to redesign and change the machine as deemed necessary, without notification.

Warranty Registration

The Delivery and Warranty Registration form must be completed and signed to validate your warranty protection. As the new equipment owner, you are expected to see that the form is completed and forwarded to Y UÜŠÖŠÖY PÁJUY ÖÜÁ ÖÜWÖT ÖP, INC. at time of delivery.

IMPORTANT: Any unauthorized modification, alteration, or use of non-approved attachments voids the warranty and releases Y UÜŠÖŠÖY PÁJUY ÖÜÁ ÖÜWÖT ÖP, INC. from any liability arising from subsequent use of this equipment.

Model and Serial Number

Mower model and serial number are found on the serial tag, located on the seat frame directly under the seat plate.

These numbers are required on the Warranty Registration form. They will also assure you of the correct service parts when replacement becomes necessary.

Parts and Service

Use original Worldlawn replacement parts only. These parts are available through your local Worldlawn dealer. To obtain prompt, efficient service, always provide the following information when ordering parts:

1. Correct part number and description
2. Correct model number
3. Correct serial number

All warranty repair and service must be handled through an authorized Worldlawn dealer.

Arrangements should be made through your local service center.

For location of nearest dealer look up our dealer search on our website:
www.WORL DLAWN.com



WARNING:

DO NOT allow children to operate the machine. **DO NOT** allow any adult to operate the machine without proper instruction.

General Information

Quick Reference Sheet

Engine

Kawasaki electric FS600V - S00

Blades

423029	14.25 High Lift Blade
603035	20" Blade
423173	14.25 Mulch Blade
603055	20.25" Mulch Blade

Belts

353111	Deck Belt
353112	pump drive belt

Tires

353094	wheel/tire as
353148	drive tire (18x9.5x8)
353149	rim w/ valvestem
363311	front caster complete
363260	front tire & tube (4.10/3.50-4)
* * * *	front rim not serviced

Spindles

583106	spindle assy comp.
583111	housing
363350	bearing
583112	shaft
583113	brg. Spacer tube

Transmission

353127	RH EZT transaxle (Hydro-Gear Model # ZC-BPBB-XYLB-1NPA)
353128	LH EZT transaxle (Hydro-Gear Model # ZC-DPBB-XYLC-1NPA)

***lifetime lubricated transaxles

Throttle

593043

Choke

593044

Muffler

353193

Wire Harness

353132

Pigtail Harness

353180

Clutch

423285 - Kawasaki

Electrical Components

632161	Kit, Ignition Switch Mn
422150	Starter Relay
583423	Time Delay Module
583351	Relay
523034	Park Brake Switch
593041	Neutral Switch
523031	PTO Switch
353048	Seat Switch
523283	Hour Meter

Torque Specs

65 ft-lbs	blade bolt
90 ft-lbs	nut on top of spindle
50 ft-lbs	clutch bolt

Pulleys

483078	spindle pulley
523329	stationary idler pulleys
533114	tensioner pulley-blade drive belt
823351	pump tensioner pulley
353101	pump drive pulley

Front Caster Bearings

423200	bearing
423201	bearing retainer

Seat

353278	Seat
--------	------



Strike Series Mower

Limited Warranty:

Worldlawn Power Equipment, Inc, warrants that the Strike Series mower ("Mower"), purchased from an Authorized Worldlawn Dealer, will be free from defects in material and workmanship for a period of three years residential from the original date of purchase (see details below). Worldlawn also warrants the Mower's deck shell will be free from defects in material and workmanship for a period of ten years commercial/residential from the original date of purchase (see details below). During the limited warranty period, Worldlawn will repair or replace, at its discretion, any Mower or part thereof which is found to be defective in material and workmanship. This limited warranty specifically excludes wear items, included but not limited to belts, blades, and tires. This limited warranty also specifically excludes parts covered by another manufacturer's warranty, which parts are covered only by that manufacturer's warranty.

This limited warranty extends only to the original retail purchaser ("Owner") of a Mower. This limited warranty may not be assigned or transferred without prior express written consent of Worldlawn Power Equipment, Inc. This limited warranty extends only to those Mowers purchased for private residential use. A Mower purchased for any other reason, for example as a commercial or rental unit, shall have a (90) day limited warranty under the same terms and conditions as set forth herein.

Proof of purchase will be required to substantiate all warranty claims. All warranty work must be performed by an Authorized Worldlawn Dealer. Any work done on or to the Mower by anyone other than an Authorized Worldlawn Dealer, including the original purchaser, voids all provisions of the warranty except those provisions which limit Worldlawn's liability (as set forth below).

Any Mower or part thereof which, in Worldlawn's sole discretion, is deemed defective shall be repaired or replaced, at Worldlawn's option, without charge for parts or labor up to three years of the original date of purchase. Any Mower deck shell or part thereof which, in Worldlawn's sole discretion, is deemed defective shall be repaired or replaced, at Worldlawn's option, without charge for parts or labor for the first five years of the original date of purchase, and without charge for parts only for years six through ten from the original date of purchase. To take advantage of this limited warranty, the Mower must be returned to an Authorized Worldlawn Dealer within the warranty period. **The cost of delivering the Mower to the Authorized Dealer and return delivery shall be the responsibility of the Owner.**

Worldlawn's sole responsibility with any claim made under this warranty is limited only to repairing or replacing the Mower or a defective part thereof, and no claim of breach of warranty shall be cause for rescission, cancellation, or voiding the contract of sale of the Mower.

This limited warranty does not extend to any Mower or part thereof which has been misused, neglected, damaged, abused, not properly installed or maintained, altered or which has been operated in any way contrary to the operating instructions as specified in the Owner/Operator Manual. This limited warranty does not extend to any repair or replacement made necessary by normal use. **This limited warranty does not extend to the engine which is warranted separately by the engine manufacturer.**

THE WARRANTY EXPRESSED HEREIN IS IN LIEU OF OTHER WARRANTIES, EXPRESSED OR IMPLIED, INCLUDING, WITHOUT LIMITATION, ANY IMPLIED WARRANTY OR MERCHANTABILITY OR FITNESS FOR A PARTICULAR USE, AND IS IN LIEU OF ANY AND ALL OTHER OBLIGATIONS OR LIABILITY ON WORLDLAWN'S PART.

UNDER ANY AND ALL CIRCUMSTANCES, WORLDLAWN'S TOTAL LIABILITY TO OWNER FOR ANY AND ALL CLAIMS, LOSSES OR DAMAGES, INCLUDING LOSS OF PROFITS, ARISING OUT OF ANY CAUSE WHATSOEVER, WHETHER BASED IN CONTRACT, NEGLIGENCE OR OTHER TORT, STRICT LIABILITY, BREACH OF WARRANTY OR OTHERWISE, SHALL IN NO EVENT EXCEED THE PURCHASE PRICE OF THE MOWER. IN NO EVENT SHALL BE RESPONSIBLE FOR SPECIAL, INCIDENTAL, CONSEQUENTIAL OR EXEMPLARY DAMAGES.

Your mower is only as safe as the operator! Operator carelessness or error may result in serious bodily injury. Improper maintenance of the machine may also result in injury. Please read and follow these instructions on Safe Operation and be certain that anyone using this mower fully understands and follows these instructions. Instructions are from ANSI Standard B17.4-2004.

1. Familiarize yourself with the controls and know how to stop the rider and mower deck quickly.



WARNING:

DO NOT allow children to operate the machine. **DO NOT** allow any adult to operate the machine without proper instruction.

2. Inspect your work area carefully. Remove debris from the area to be cut. Keep all bystanders away from the mowing area.
3. **Avoid contact with moving parts. Keep hands and feet clear of the mower deck.**
4. Never direct the discharge of material toward bystanders or allow anyone near the machine while in operation.
5. The machine is not intended for highway or street use. Never carry passengers!
6. Never tamper with safety devices or guards. If a guard or safety device is damaged or removed, replace it before operating the rider.



CAUTION:

Never add fuel to the tank while the engine is running or hot. **ALWAYS WAIT** at least five minutes before refueling and **REFUEL WITH THE ENGINE OFF. KEEP FUEL AWAY FROM SPARKS OR FLAMES. WIPE AWAY** any fuel spillage **BEFORE** starting unit. Never fill the fuel tank indoors. Wipe up any spilled gasoline. **Gasoline is highly flammable - NO SMOKING.**

7. Handle gasoline carefully. Use an approved gasoline container. Fill the fuel tank, to within 1" from the neck, with good quality unleaded gasoline.
8. Seat must be occupied and drive levers must be in the Neutral position and the Blade Clutch must be disengaged before starting engine.
9. Operator must wear proper shoes and clothing, which may include safety glasses and ear protection.
10. Mow only during daylight hours or under very good artificial light.
11. The safety shield over the Grass Discharge area must always be bolted in place and in the DOWN position unless the Grass Catcher is being used.
12. If a solid object has been hit by the blades stop the machine and check for damage. Repair or replace any damaged / broken part prior to restarting the engine.
13. To avoid burns, **DO NOT TOUCH** the engine or muffler immediately after operation or during.
14. Disengage blades when transporting and when crossing walks and gravel roads.
15. **DO NOT** mow close to drop-offs, deep ditches or other hazards. **DO NOT** attempt to mow slopes greater than 15°, Always mow across the face of a slope **NOT** up and down.
16. Reduce speed and exercise extreme caution on slopes and in sharp turns to prevent tipping or loss of control. Be especially cautious when changing direction on slopes.
17. This WORL DLAWN mower is **NOT** designed for towing.
18. **Only factory approved Grass Collection Systems are permitted.**
19. Shut off fuel while storing or transporting. Do Not store fuel near flames to drain indoors.

Before Operating - Reminders

Check oil level. The engine is shipped with oil from the factory. Add proper fuel to fuel tank, open shut-off valve.

The battery is a gel-cell and will not require acid. Before hooking up the ground wires make sure that the engine has been filled to the proper level with oil. If battery will not turn the engine over after hooking the wires up it may require a charge for 15 to 20 minutes.

NOTES:

Consult engine manual for engine manufactures recommendation on operation, maintenance information and engine warranty information. Engine information will not be repeated in this manual.

ASSEMBLY INSTRUCTIONS

1. Remove unit from the crate.
2. Remove seat from packing. Remove the 5/16 x 3/4 bolts and disc spring washers from the seat plate. Attach seat to the seat plate using these same bolts and tighten.
3. Plug in the seat switch.
4. Connect the ground wire to the battery using the bolt on the negative battery post.
5. Remove the 5/16 x 1 1/4 bolts from the top side of the handle mounts. Rotate the handle to match up the holes, re-install the bolts and tighten.
6. Check oil level in engine. See the Engine Manual for type and quantity required.
7. Put fuel in fuel tank.
8. Check all tire pressures.
9. Read "Operator's Manual" before starting unit.

CAUTION:

Always remove the key and set the parking brake when leaving the machine unattended, even for just a few minutes.

PREVENT ACCIDENTS: Do not give children or unauthorized persons an opportunity to operate this machine.

STARTING ENGINE

The throttle control, ignition switch and choke control are located between the motion control levers on the front panel under the front of the seat.

Because of a built-in safety interlock system, your machine will not start unless the seat is occupied.

TO START ENGINE: occupy seat, set park brake, leave the motion control levers swung out, move throttle control lever all the way to choke position. Turn ignition key to start position to engage starter, release the key when engine starts. Ignition switch is spring loaded and will return to run position automatically.

Slowly return choke to run position once the engine has started.

STOPPING ENGINE

TO STOP ENGINE: move throttle lever to idle position and turn ignition key to "OFF" position. If engine has been working hard or is hot, allow engine to idle for a short period of time before turning off key. This practice will help cool engine before stopping.

IN CASE OF EMERGENCY engine may be stopped by turning ignition key to "OFF" position.

DANGER

Observe usual fuel handling precautions:

Do not smoke while refueling.

Do not fill tank with engine running or while engine is hot.

Clean up any gasoline spills.

Allow engine to cool before storing machine inside a building.

Keep fuel away from open flame or spark and store mower away from open flame or spark if this fuel in the tank.

Use extra caution when handling gasoline and other fuels: They are flammable and vapors are explosive. A fire or explosion from gasoline or other fuels can burn you and others and can damage property.

Refuel outdoors preferably, or in well ventilated areas.

Never attempt to start engine when there is a strong odor of fuel fumes present. Locate and correct cause.

Store gasoline in an approved container and keep it out of the reach of children.

Never buy more than a 30 day supply of fuel.

Always place fuel containers on the ground away from your vehicle before fueling.

Do not fill gasoline containers inside a vehicle or a truck or a trailer as interior carpets or plastic truck bed liners may insulate the container and slow the loss of any static charge.

When practical, remove equipment from truck or trailer and refuel mower with its wheels on the ground.

SAFETY INTERLOCK SYSTEM

Your WORLDLAWN mower is equipped with a Safety Interlock System that is designed to help prevent possible serious injuries. Understanding and maintaining this system is vital, for maximum safe operation.

TO START ENGINE:

1. Blades (PTO) must be "OFF".
2. Control levers in neutral (swung out).
3. Park Brake "ON".
4. Operator in seat.

THE ENGINE WILL KILL IF:

1. The operator leaves the seat with:
 - a. The control levers out of neutral (swung in).
 - b. The blades on (PTO).
 - c. The park brake is "OFF".
 - d. All the above.
2. The park brake is set before the control levers are in neutral (swung out).

CORRECT TRANSMISSION OPERATION TO GO FORWARD OR REVERSE

This Worldlawn Mower is equipped with a pump/wheel motor unit for each wheel and are controlled with "Motion Control Levers", one for each wheel. See Figure 1

MOWING SPEED

The STRIKE is designed to operate most efficiently at maximum blade speeds.

The running speed of the machine should allow the mower blades to maintain this maximum speed while mowing across turf. Use a slower ground speed for cutting tall grass, grass which is heavy with moisture, or when mowing uphill. If ground speed is too fast, or blade speed is too slow, mowing will be uneven because mower blades will not be able to lift grass into cutting position as the mower passes.

Throttle control regulates speed of engine as measured in RPM. This control SHOULD NOT be used to control ground speed.

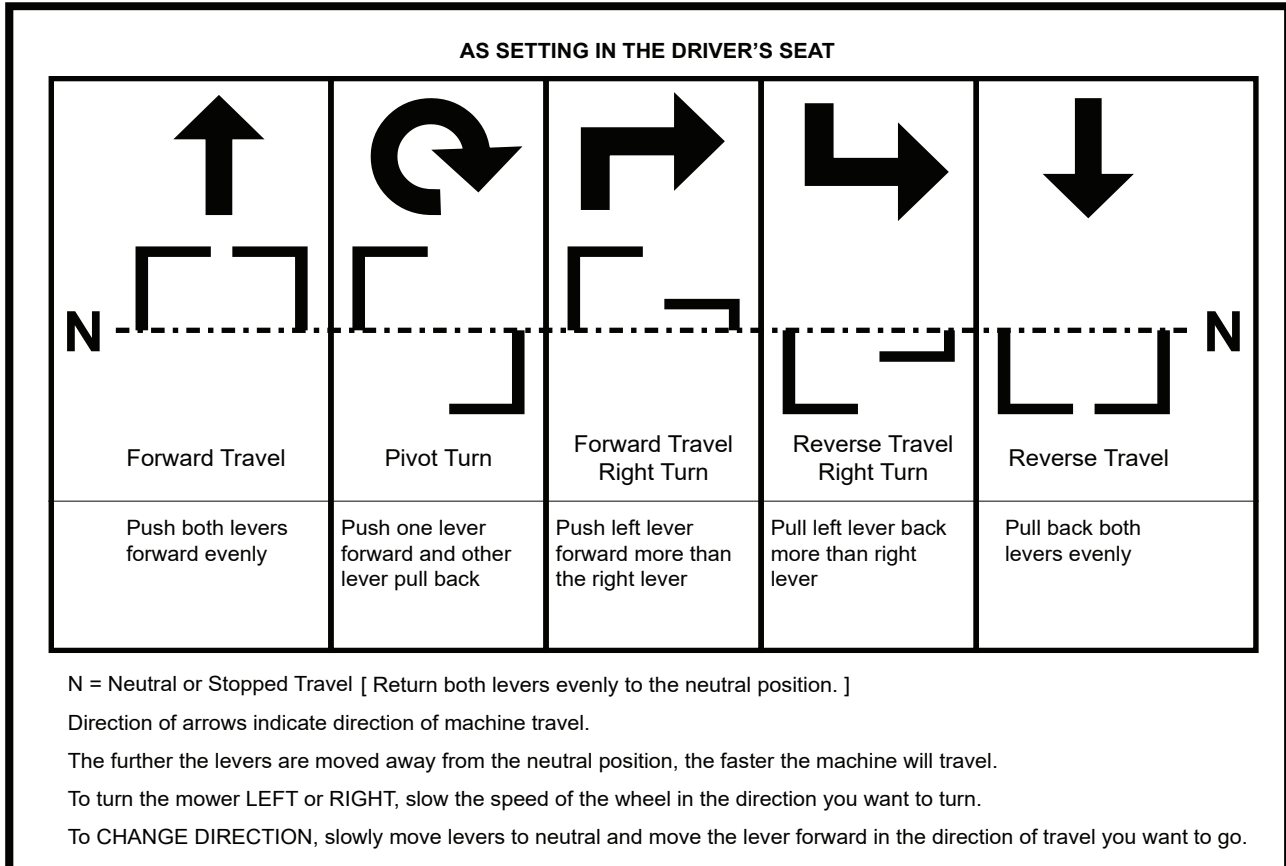
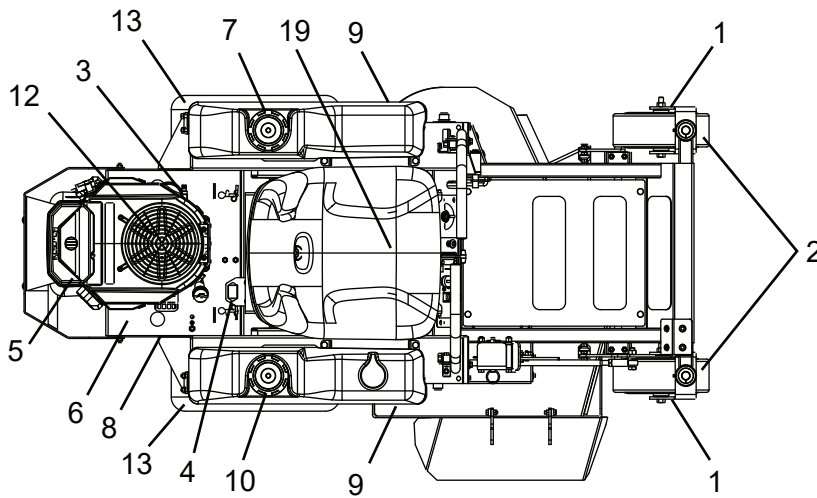
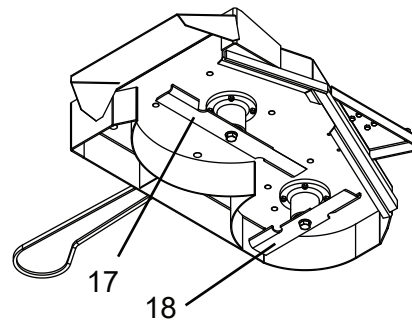
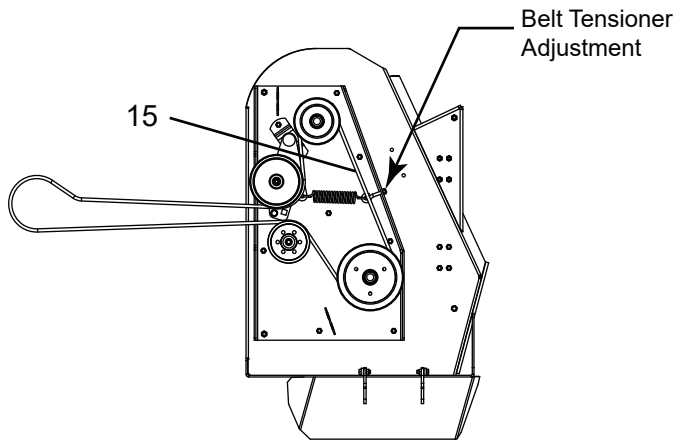


Figure 1

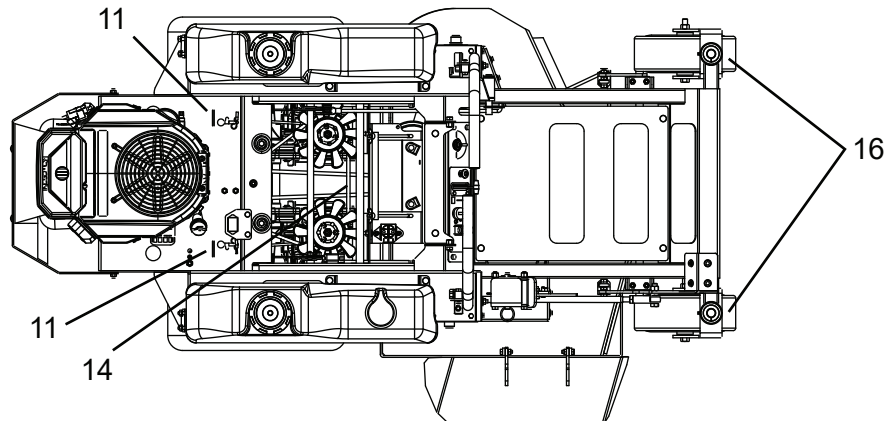
SERVICE LOCATOR CHART



1. Front Caster Wheel Bearings (2)
2. Front Caster Pivot Bearing Zerks (2)
3. Engine Oil Fill & Dipstick
4. Hour Meter
5. Engine Air Filter
6. Engine Oil Filter
7. Fuel Tank
8. Engine Fuel Filter
9. Fuel Shut-off Valve
10. Fuel Tank w/ Cup Holder
11. Hydraulic Bypass
12. Engine Vent Screen
13. Drive Tires
14. Pump Belt (353112)
15. Blade Drive Belt (353111)
16. Front Casters Wheels
17. 20" Blade (603035)
18. 14.25" Blade (423029)
19. Located inside the seat frame under operators seat:
 1. Time delay module
 2. Relays
 3. Fuse Block
 4. Start Relay
 5. Battery



VIEWED FROM UNDER OF DECK



VIEWED FROM TOP OF UNIT

Figure 2

MAINTENANCE INFO

1. Do not adjust mower or change attachments unless the engine has been stopped and the key has been removed.
2. Good maintenance, wiping up gasoline and oil spills, will reduce potential fire hazards.
3. To insure that the mower will remain in safe operating condition, check and tighten all bolts, nuts and screws. Especially make certain the blade bolt/nuts are always tightened properly.
4. Never adjust governor on engine to a faster speed. The engine manufacturer adjusts the engine RPM to the proper setting.
5. Allow time for the engine to cool down prior to storing mower. Do not store mower or gasoline near any open flame or where gasoline fumes may be ignited.
6. Always replace worn or broken parts with genuine Worldlawn repair parts purchased from an authorized Worldlawn dealer. Using anything other than Worldlawn repair parts may void all Encore factory warranties.

OIL AND FILTER

Since the hydraulic drives on the Worldlawn mower are lifetime lubricated there are no required filter and or oil changes required. Please refer to the engine manual for engine lubrication recommendations.



CAUTION:

DO NOT SPILL OIL OR GREASE ON BELTS.

TIRE PRESSURE

This vehicle has been designed to achieve maximum operator comfort and ride. This cannot be achieved without proper tire pressure. A low pressure gauge is required to check the front tires.

Front Tires - 14 PSI

Rear Tires - 20 PSI

NOTES:

The Worldlawn mower is driven and steered by the rear wheels.

REAR TIRE CIRCUMFERENCE DIRECTLY AFFECTS THE TRACKING OF THE MACHINE.

If the machine will not drive in a straight line, check air pressure and adjust accordingly.

Lubrication

The following recommendations on lubrication chart below should be adhered to. Environmental conditions may be cause to vary frequency. Grease points are pointed out in Figure 2.

Description of Maintenance Task	Service Intervals
Blades - sharpen & securely fastened to 65 ft-lbs	Every 10 hours
Check fuel level	Daily
Discharge chute - securely in place & in lowest position	Daily
Verify safety start interlock system	Daily
Visually inspect tires	Daily
Visually inspect unit for loose hardware and/or damaged parts	Daily
Check battery connections	Every 50 hours
Check tire pressure with a guage	Every 50 hours
Check pump drive belt tension & condition	Every 100 hours
Check blade drive belt tension & condition	Every 100 hours
Check deck drive belt tension & condition	Every 100 hours
Tighten lug nuts on wheels	Every 100 hours
Check oil level in engine	See Note A
Change engine oil & filter	See Note A
Change fuel filter	See Note A
Clean air intake screen	See Note A
Clean cylinder / head fins	See Note A
Clean foam element	See Note A
Clean paper element	See Note A
Replace air cleaner paper element	See Note A
Clean and regap or replace spark plugs	See Note A

Note:

- A. Refer to Supplied Engine Manufactures Owner's Manual for all maintance and engine manufactures warranty policy information

BATTERY

The battery is located under the seat of the machine. The gel-cell battery is maintenance free.



CAUTION:

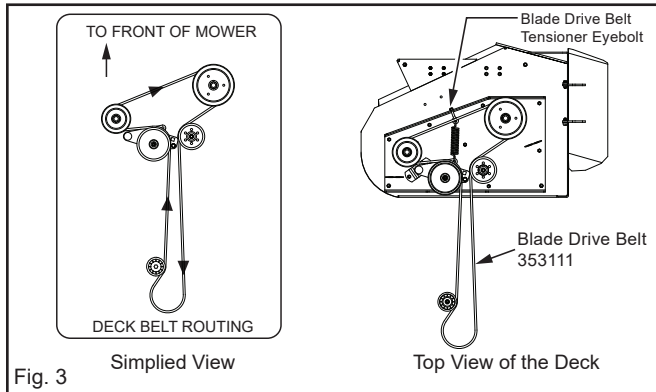
When servicing the battery or any other part of the electrical system, or if the battery must be removed for any reason, always, disconnect negative (ground) cable FIRST and reconnect it LAST to avoid possibility of electrical shorts.

At temperatures below 32° F (0° C), full charge state must be maintained to prevent cell electrolyte from freezing and causing permanent battery damage.

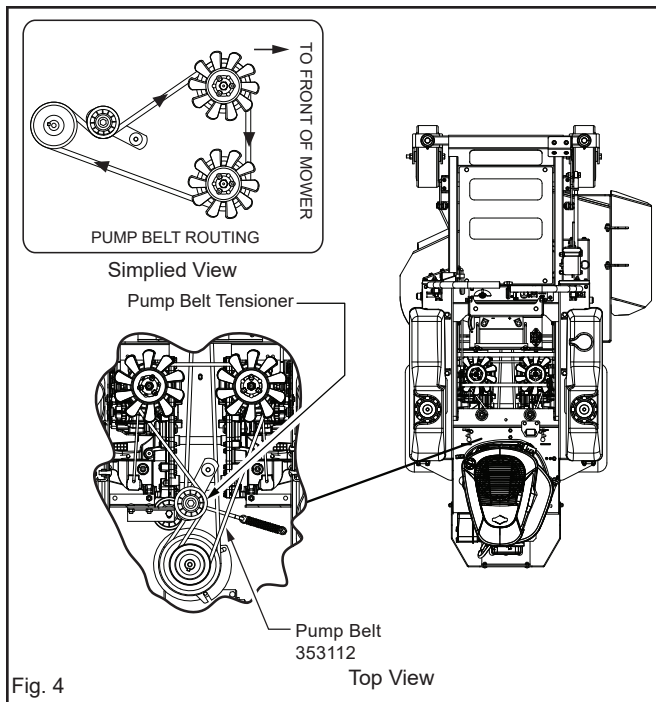
For longest service life, battery should be kept clean by wiping it off with a paper towel. Any corrosion around battery should be removed by applying a solution of one part baking soda to four parts water. A light coating of grease or petroleum jelly may be applied to all exposed terminal surfaces to prevent corrosion.

Belt Adjustment

Remove key from the ignition switch. The blade drive belt may be accessed by removing belt shields. Spring tension should be maintained by having



approximately 1/8" stretch between coils. Turning the nut on the eyebolt clockwise will decrease tension. When installing a blade drive belt please refer to figure 3 for routing the blade drive belt. The pump belt

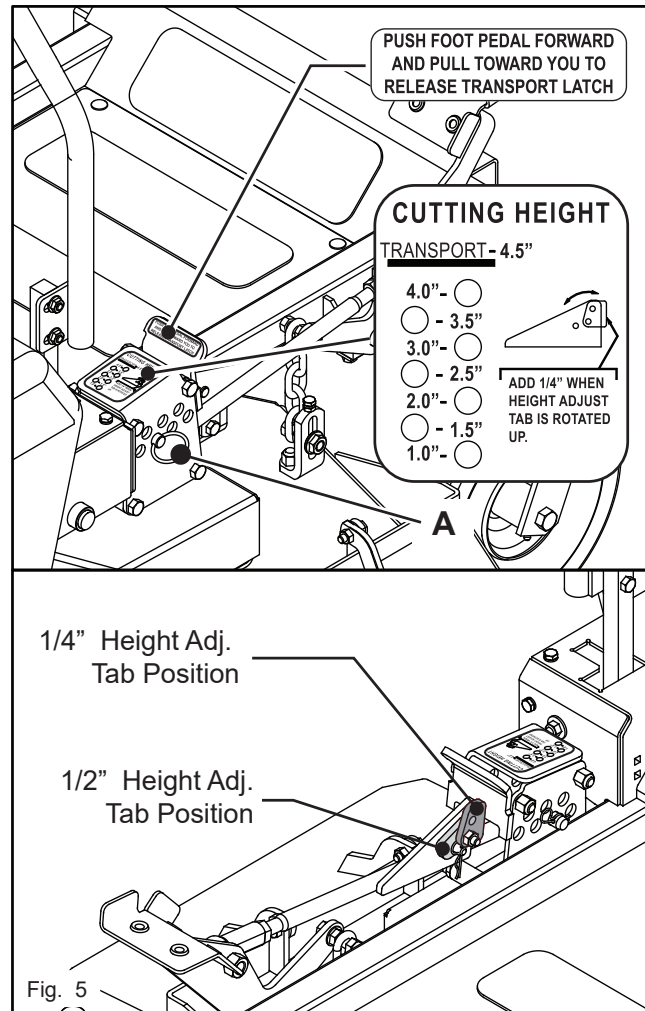


may be accessed from under the rear chassis. The pump belt is removed by unhooking the tensioner spring to provide slack in the belt for removal. When installing a pump belt please refer to figure 4 for the routing the pump belt.

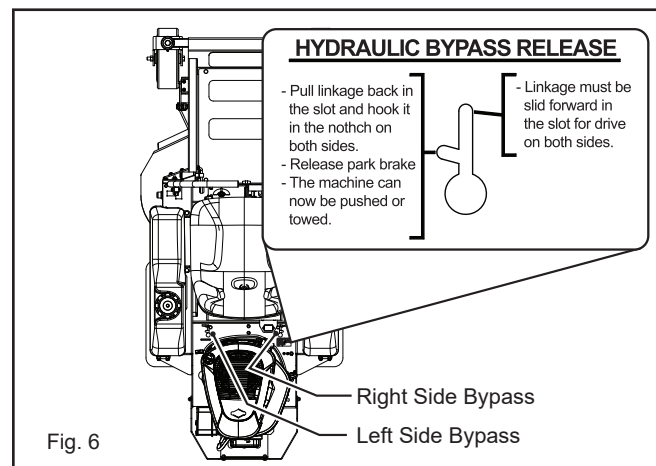
Bypass Valve

In some applications, it is desirable to move the machine for short distances at low speeds without operating the engine. See Fig. 6

Deck Height Adjustment



Height of cut positions are drilled at 1/2 inch increments. To add 1/4 inch to the setting you must first remove the #4 hairpin cotter, pull pin and rotate the tab to the vertical position. The foot pedal must be depressed slightly in order to replace the pin in tab. See Fig. 5



DECK LEVELING ADJUSTMENT

Before checking the deck level make sure that tire pressures are at the proper level. Begin by setting the deck to a fixed position and pointing the blades to the front edge of the deck.

Measuring from the blade to the ground on each side of the deck will give the best reading. To adjust deck position loosen the bolt on the deck hanger bracket and move bolt in the slot either up or down depending which way you need to move the deck. You should

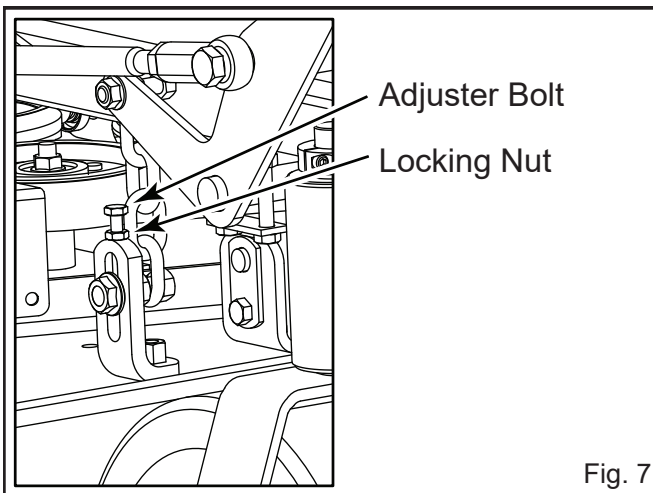


Fig. 7

always maintain at least a 1/8 inch of deck pitch from front to back. Also all four chains must support the deck equally or must have equal tension on them.

Tracking Adjustment

Before adjusting the tracking you must be sure that the tire pressures are equal. If the machine will not track straight on a flat surface it may be adjusted by moving the stop bolt (located by either control arm) clockwise to increase ground speed and counter clockwise to decrease ground speed. Normally only one side is adjusted to match the ground speed of the other pump.

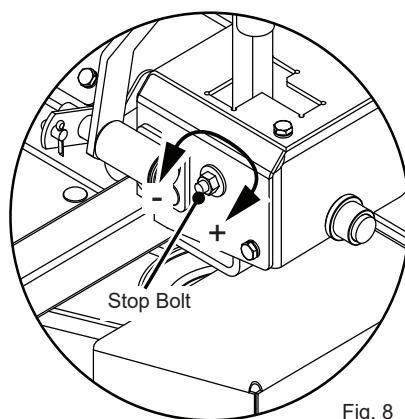


Fig. 8

Mower Blades

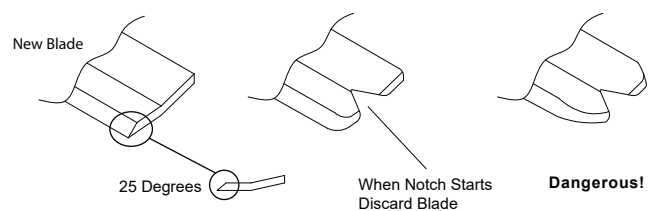
Check sharpness of mower blades after every 10 hours of operation. To sharpen blades proceed as follows:



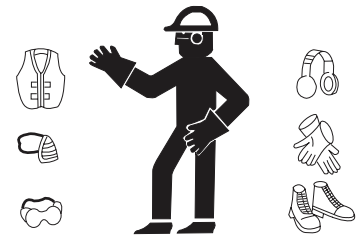
CAUTION:

TURN OFF ENGINE AND REMOVE KEY BEFORE MAKING ANY ADJUSTMENTS.

- ◆ Block front end of mower up or run front up on ramps.
- ◆ Remove blade by turning bolt counter clockwise.
- ◆ Blades should be discarded when worn excessively. See Sketch.



- ◆ Sharpen blade with a hand file, electric grinder or blade sharpener. Wear gloves and eye protection when sharpening. Grind blade at original bevel.
- ◆ Check balance of blade by positioning the blade on a nail or blade balance pedestal. Grind the blade on the end that is heavier until both sides balance.
- ◆ Do not wear loose fitting clothing which could get caught in moving parts. Always be sure to wear adequate protective clothing. Wearing safety glasses and safety shoes is advisable.
- ◆ Reinstall blades. Refer to Figure 9 for further information



Important Note:

Cup side of spring washer goes against blade.

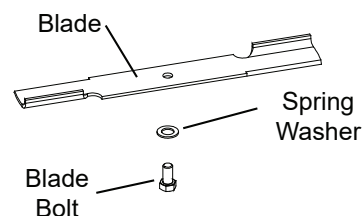
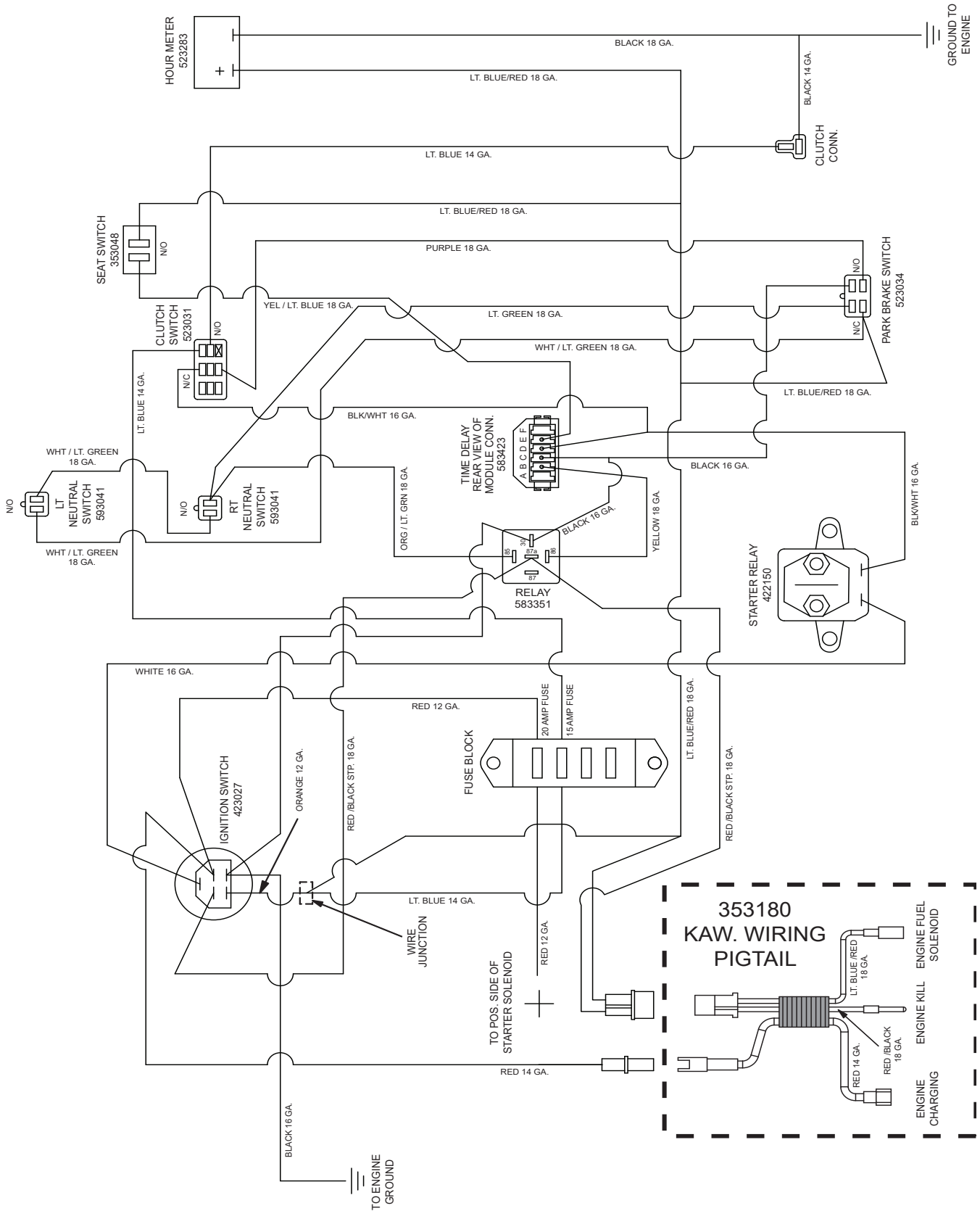


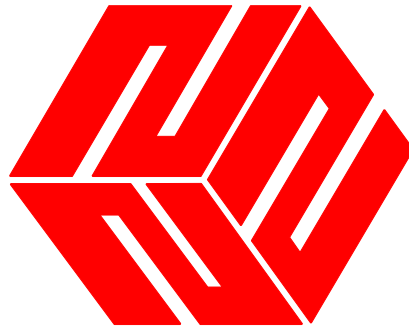
Figure 9

WORLDLAWN PART # 353132
 WIRE HARNESS FOR WYZ34K20
 KAWASAKI FS600V



Notes

Notes



WORLDLAWN®