



WORL DLAWN[®]
POWER EQUIPMENT



ELECTRIC
DIAMONDBACK

WYDB52L16

PARTS MANUAL



WORLDLAWN[®]

POWER EQUIPMENT

WORLDLAWN.COM

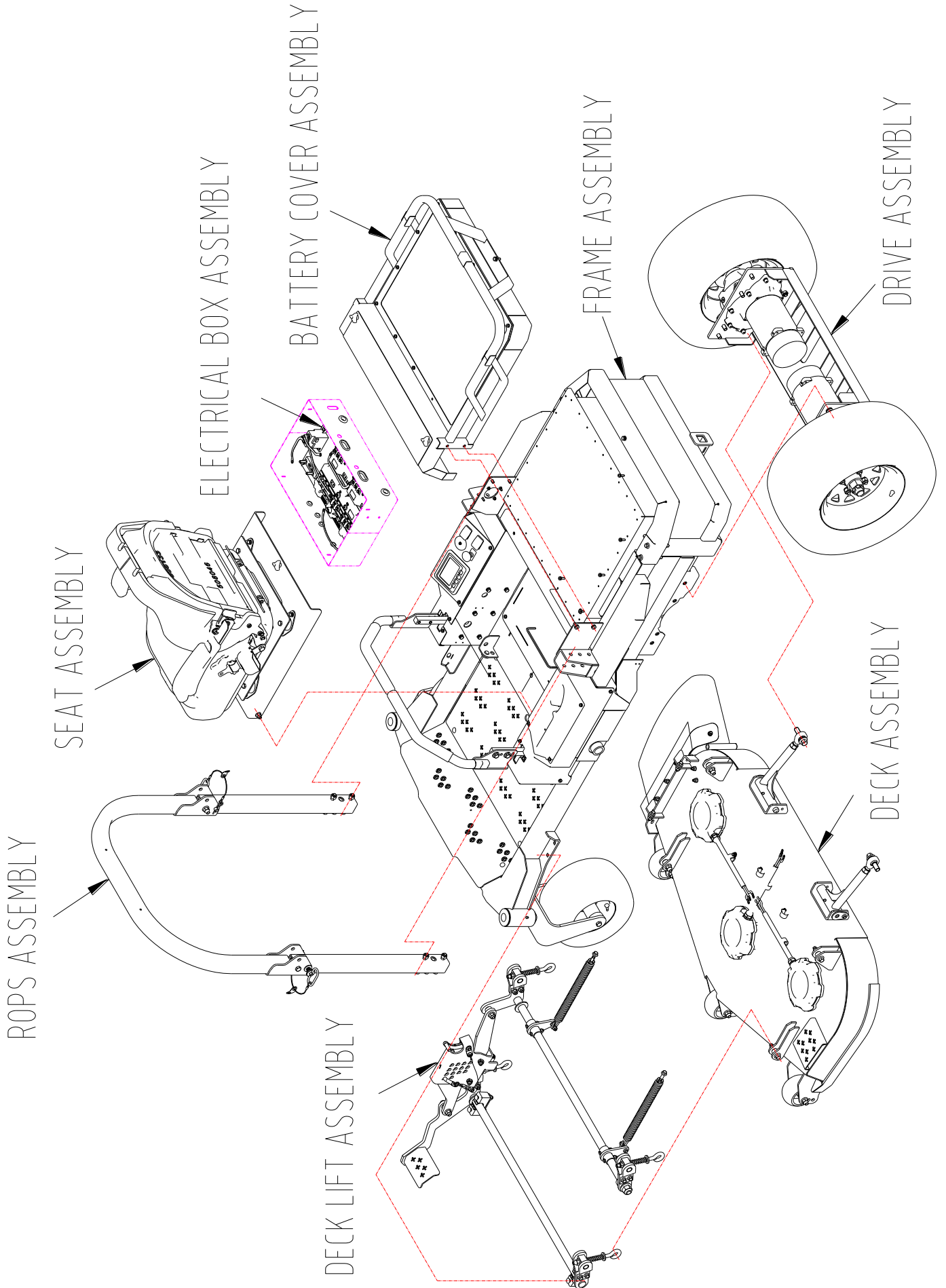
 **401 COMMERCE STREET
BEATRICE, NE 68310**

 **800-267-4255**

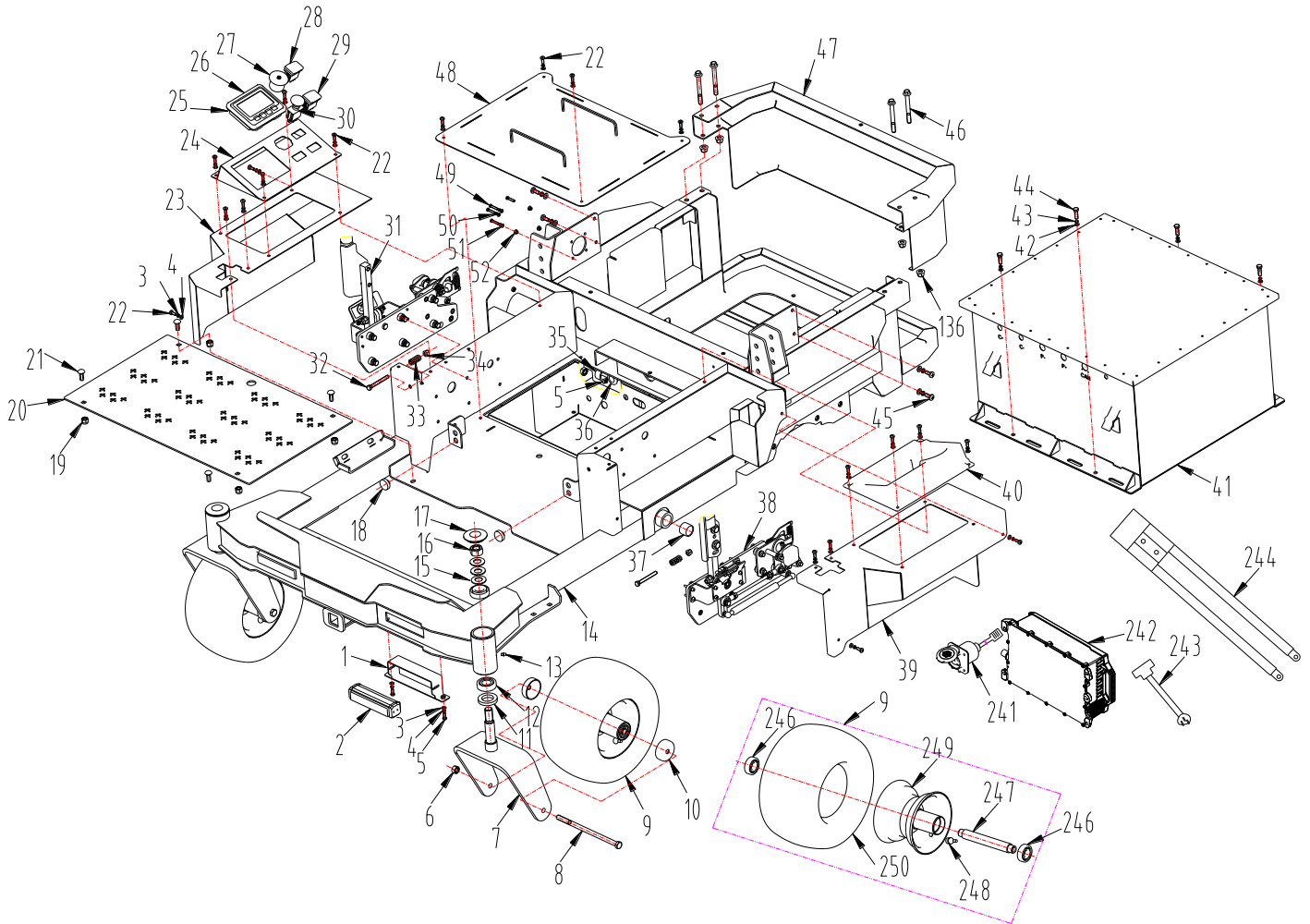
 **402-223-4103**

CONTENTS

FRAME ASSEMBLY	5
MOTION CONTROL ASSEMBLY	8
BATTERY COVER ASSEMBLY	12
ELECTRICAL BOX ASSEMBLY	13
SEAT ASSEMBLY	15
DRIVE ASSEMBLY	16
DECK ASSEMBLY	17
DECK LIFT ASSEMBLY	19
ROPS ASSEMBLY	21
WIRING DIAGRAM	22
DECALS - SAFETY & OPERATION	23



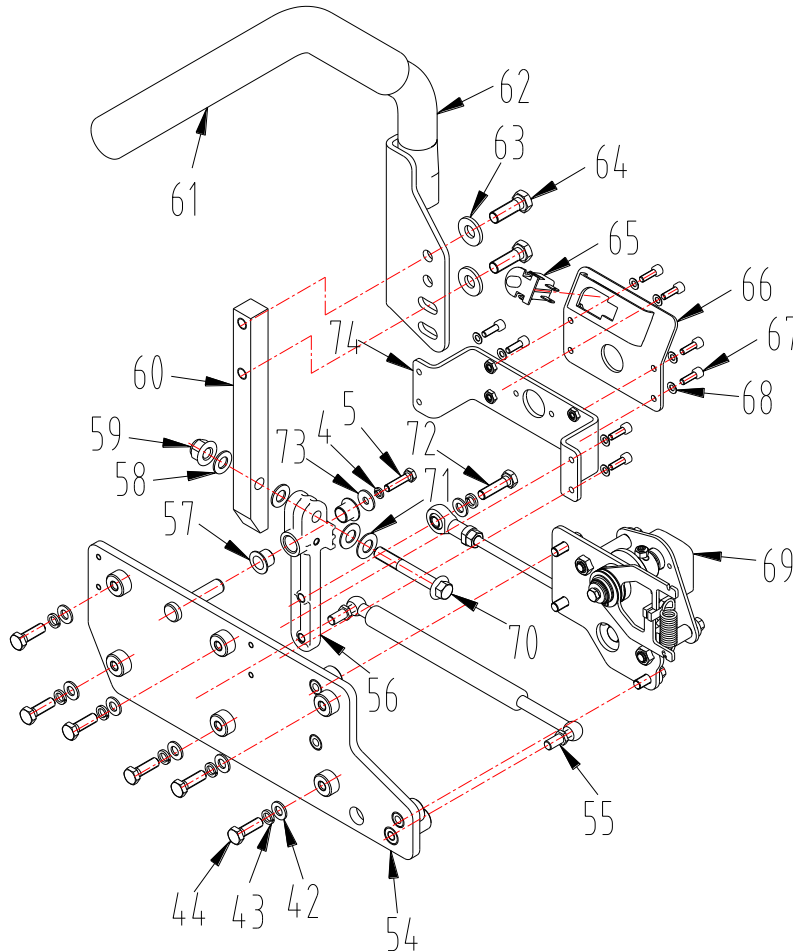
FRAME ASSEMBLY



ITEM	PART NUMBER	DESCRIPTION
1	5232281	WLD, HEADLIGHT MT
2	5238035	HEADLIGHT EV
3	B97.1-6	WASHER 6
4	B93-6	LOCKWASHER 6
5	B5783-616	SCREW, HH TAP M6x16
6	B6184-12	NUT, M12
7	542011-2	WLD, CASTER FORK 6.5, RED
8	543189	BOLT, M12 X 225 MM
9	632041G	ASM, BLK WHL COMPLETE 13 X 6.5-6 PNEUMATIC
10	632041G-11	CAP, DUST
11	B13871-B32528	SEAL(F) 32x52x8
12	B297-30205	BEARING 30205
13	B1153-6	GREASE FITTING M6
14	5232001	WLD, EV FRAME
15	B1972-A40	WASHER, SPRING DISC A40
16	B6184-20	NUT, M20 LKNG TORQUE
17	5202009	CAP, DUST
18	633422	BUMPER, RUBBER
19	B6182-10	NUT, NYLOC M10
20	5232087	FOOT PLATE
21	B801-1025	BOLT, CARRIAGE SN M10 X 25
22	B818-616	SCREW M6x16
23	5232170	WLD, FENDER RH
24	5232185	WLD, CONTROL PANEL
25	WDS320.14-10	SEAL, LCD PANEL
26	5238045	PANEL, LCD
27	5238037	SWITCH, QUICK MT IGN
28	5238043	SWITCH, GND SPEED
29	5238042	SWITCH, BLADE SPD
30	4807005	SWITCH, PTO
31	5232123	ASM, MOTION CONTROL RH
32	B5783-870	BOLT M8 X 70
33	5205003	SPRING, COMPRESSION
34	B6183.1-8	FLANGED LOCKNUT M8
35	5238053	CLAMP, 25MM CABLE
36	4LZ2.16.4-04	GROMMET
37	B12613-322820	BUSHING 32 X 28 X 20
38	5232110	ASM, MOTION CONTROL LH

39	5232175	WLD, FENDER LH
40	5232195	TRAY, LH
41	5238047	BATTERY PACK
	5238047A	BATTERY PACK
42	B97.1-8	WASHER 8
43	B93-8	WASHER 8 - LOCKWASHER
44	B5783-825	HEX HD BOLT M8x25
45	B818-820	SCREW, M8 X 20MM
46	B5787-1090	SCREW, HH FLANGE M10 X 90
47	5232290	WLD, REAR FRAME
48	5232286	WLD, CONTROL COVER
49	B818-525	SCREW, M5 X 25MM
50	B93-5	WASHER 5
51	B97.1-5	WASHER 5
52	B6183-5	NUT M5
136	B6183-10	NUT, NYLOC FLANGE M10
241	5238059	HARNESS, CHARGE PORT
242	5238057	CHARGER 120V/240V
243	5238080	HARNESS, CHARGER ADPTR
244	5238058	CORD, CONTROLLER PWR
246	B276-6204RS	BEARING
247	632041G-10	TUBE, AXLE
248	632041G-9	AIR NOZZLE
249	632041G-4	WLD, WHEEL 13 X 6.5-6 PNEUM-BLACK
250	542007	TIRE, 13X6.5-6 PNEUMATIC

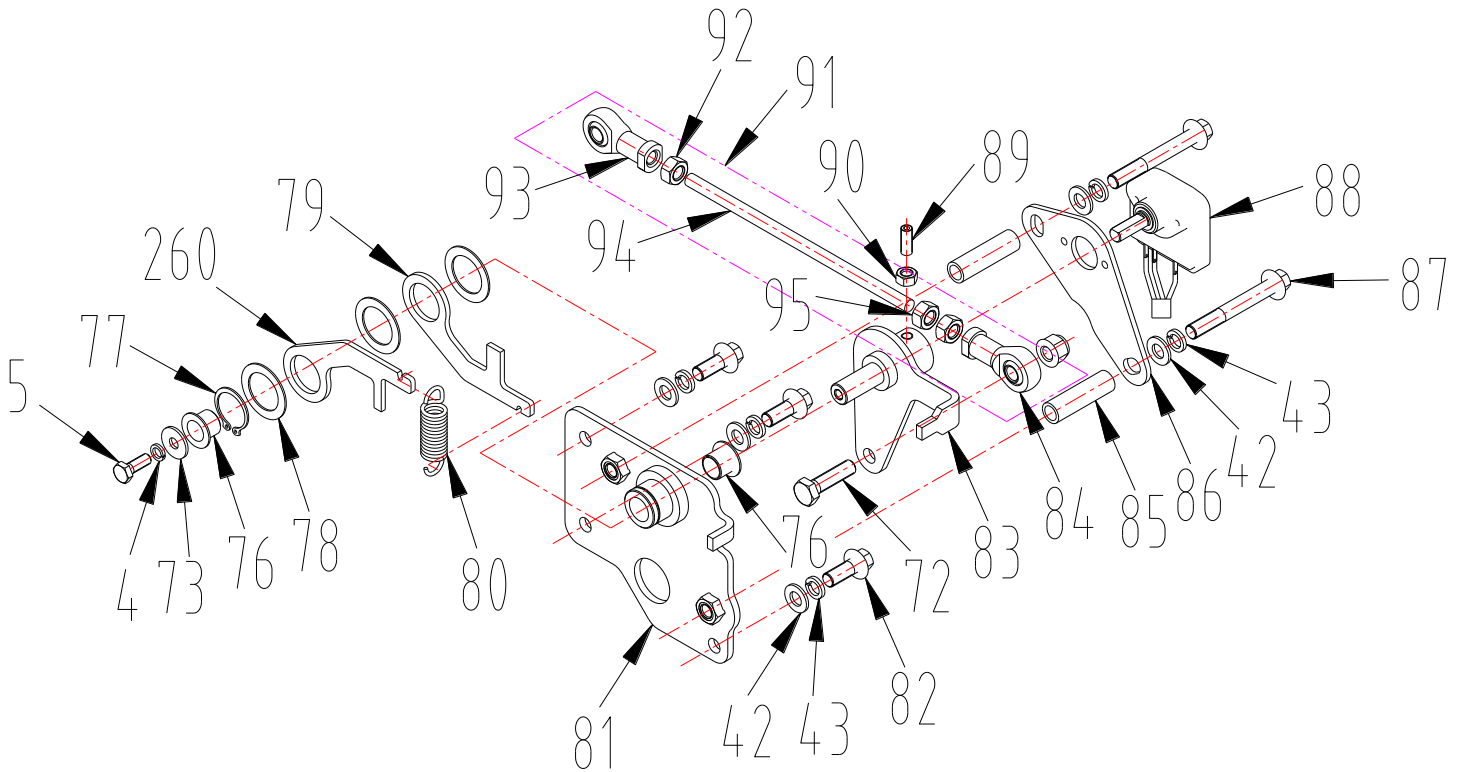
MOTION CONTROL ASSEMBLY(RIGHT)



ITEM	PART NUMBER	DESCRIPTION
4	B93-6	LOCKWASHER 6
5	B5783-616	SCREW, HH TAP M6x16
42	B97.1-8	WASHER 8
43	B93-8	WASHER 8 - LOCKWASHER
44	B5783-825	HEX HD BOLT M8x25
54	5232121	WLD, CONTROL MT
55	5205020	DAMPER W/STUDS
56	5232112	HANDLE
57	3224020	BUSHING, 12x14x12
58	5232113	WASHER
59	B6183-10	NUT, NYLOC FLANGE M10
60	5232114	MT, LAP BAR
61	543156	GRIP, MOTION CONTROL LEVER

ITEM	PART NUMBER	DESCRIPTION
62	5232139	WLD, LAP BAR
63	5201061	WASHER
64	B5783-1030	HEX HD BOLT M10x30
65	353048	SWITCH, SEAT
66	5232131	RH NEU SWITCH MT
67	B70.1-516	M5 x 16MM SHCS
68	B1972-A10	SPRING WASHER A10
69	5232090A	ASM, RTN RH
70	B5782-1065	BOLT 10 X 65
71	B1972-A22.5-2	WASHER, SPRING DISC A22.5 OD
72	B5783-830	SCREW, HH TAP M8x30
73	B96-6	WASHER, FLAT LARGE M6
74	5232117	WLD, CONTROL BRKT

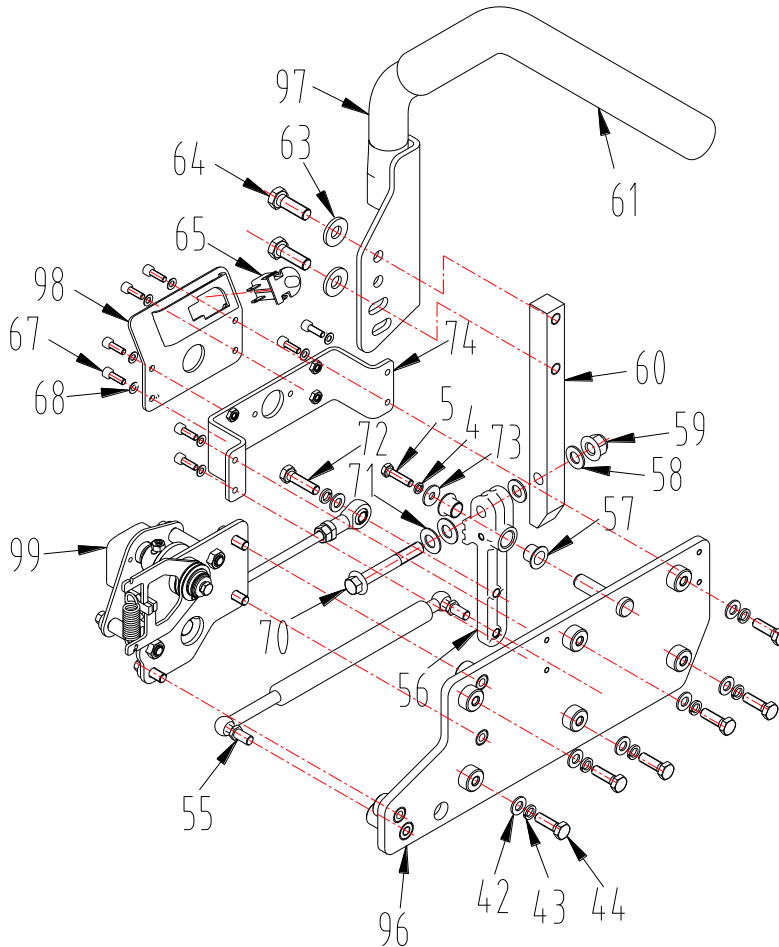
MOTION CONTROL ASSEMBLY(RIGHT)



ITEM	PART NUMBER	DESCRIPTION
4	B93-6	LOCKWASHER 6
5	B5783-616	SCREW, HH TAP M6x16
42	B97.1-8	WASHER 8
43	B93-8	WASHER 8 - LOCKWASHER
72	B5783-830	SCREW, HH TAP M8x30
73	B96-6	WASHER, FLAT LARGE M6
76	543154	BUSHING, MOTION CONTROL
77	B894.1-22	SNAP RING 22
78	5232078	SHIM
79	5232079	ARM, RTN
80	5232080	SPRING, RTN
81	5232085	WLD, RTN CONTROL RH
82	B5783-820	SCREW, HH TAP M8x20
83	5232082	WLD, RTN PIVOT RH

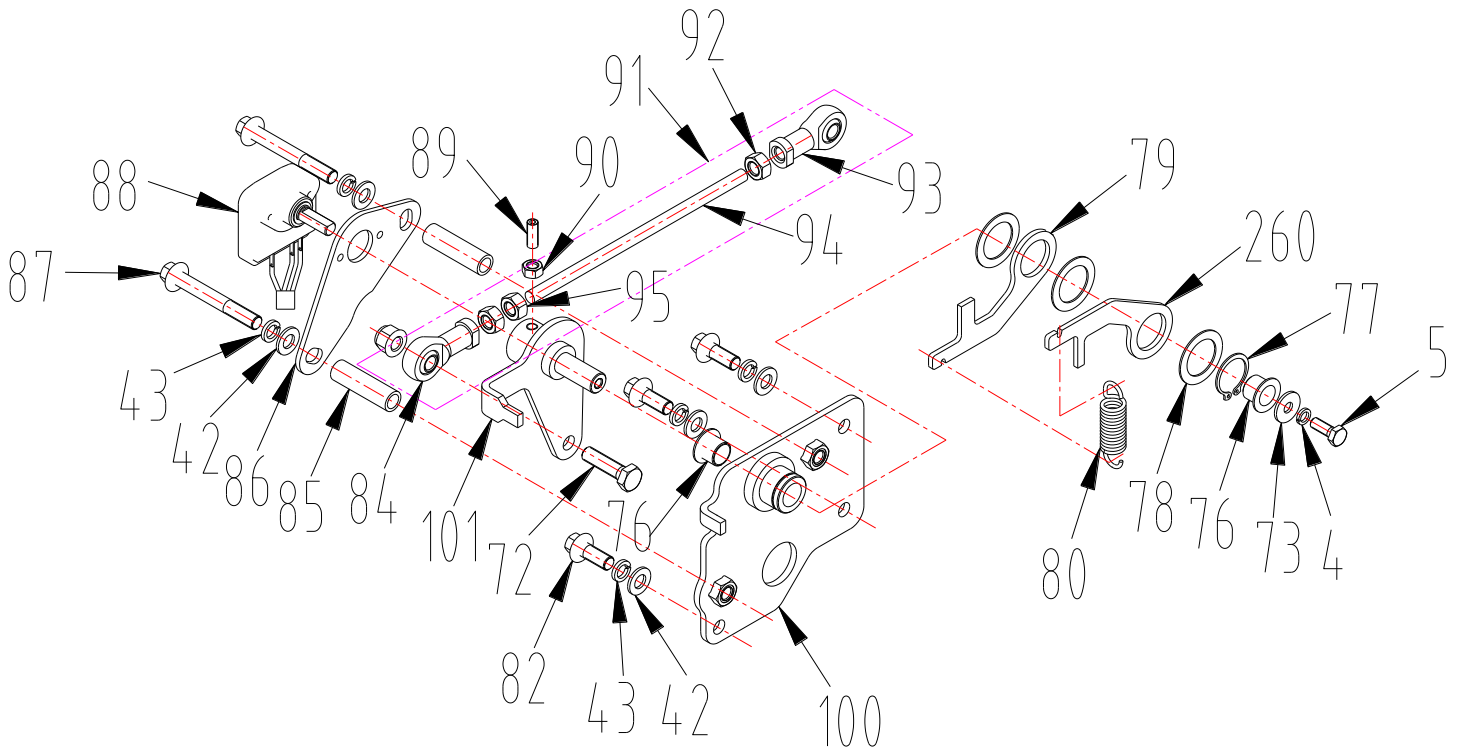
ITEM	PART NUMBER	DESCRIPTION
84	B9161-SIBJK8C	ROD END 8M RH
85	5232069	SPACER
86	5232071	PLATE, POT MT
87	B5787-860	SCREW, HH FLANGED M8x60
88	5238003	POTENTIOMETER
89	B77-616	SETSCREW, M6 X 16MM
90	B6170-6	NUT M6
91	5232088	ASM, CONTROL LINK
92	B6170-8L	NUT M8, LEVO
93	B9161-SIBJK8CL	ROD END 8MM LH
94	5232089	WLD, CONTROL MT LH
95	B6170-8	NUT M8
260	5232079A	ARM, RTN

MOTION CONTROL ASSEMBLY(LEFT)



ITEM	PART NUMBER	DESCRIPTION	ITEM	PART NUMBER	DESCRIPTION
4	B93-6	LOCKWASHER 6	64	B5783-1030	HEX HD BOLT M10x30
5	B5783-616	SCREW, HH TAP M6x16	65	353048	SWITCH, SEAT
42	B97.1-8	WASHER 8	67	B70.1-516	M5 x 16MM SHCS
43	B93-8	WASHER 8 - LOCKWASHER	68	B1972-A10	SPRING WASHER A10
44	B5783-825	HEX HD BOLT M8x25	70	B5782-1065	BOLT 10 X 65
55	5205020	DAMPER W/STUDS	71	B1972-A22.5-2	WASHER, SPRING DISC A22.5 OD
56	5232112	HANDLE	72	B5783-830	SCREW, HH TAP M8x30
57	3224020	BUSHING, 12x14x12	73	B96-6	WASHER, FLAT LARGE M6
58	5232113	WASHER	74	5232117	WLD, CONTROL BRKT
59	B6183-10	NUT, NYLOC FLANGE M10	96	5232115	WLD, CONTROL MT LH
60	5232114	MT, LAP BAR	97	5232136	WLD, LAP BAR LH
61	543156	GRIP, MOTION CONTROL LEVER	98	5232125	WLD, LH NEU SWITCH MT
63	5201061	WASHER	99	5232070A	ASM, RTN LH

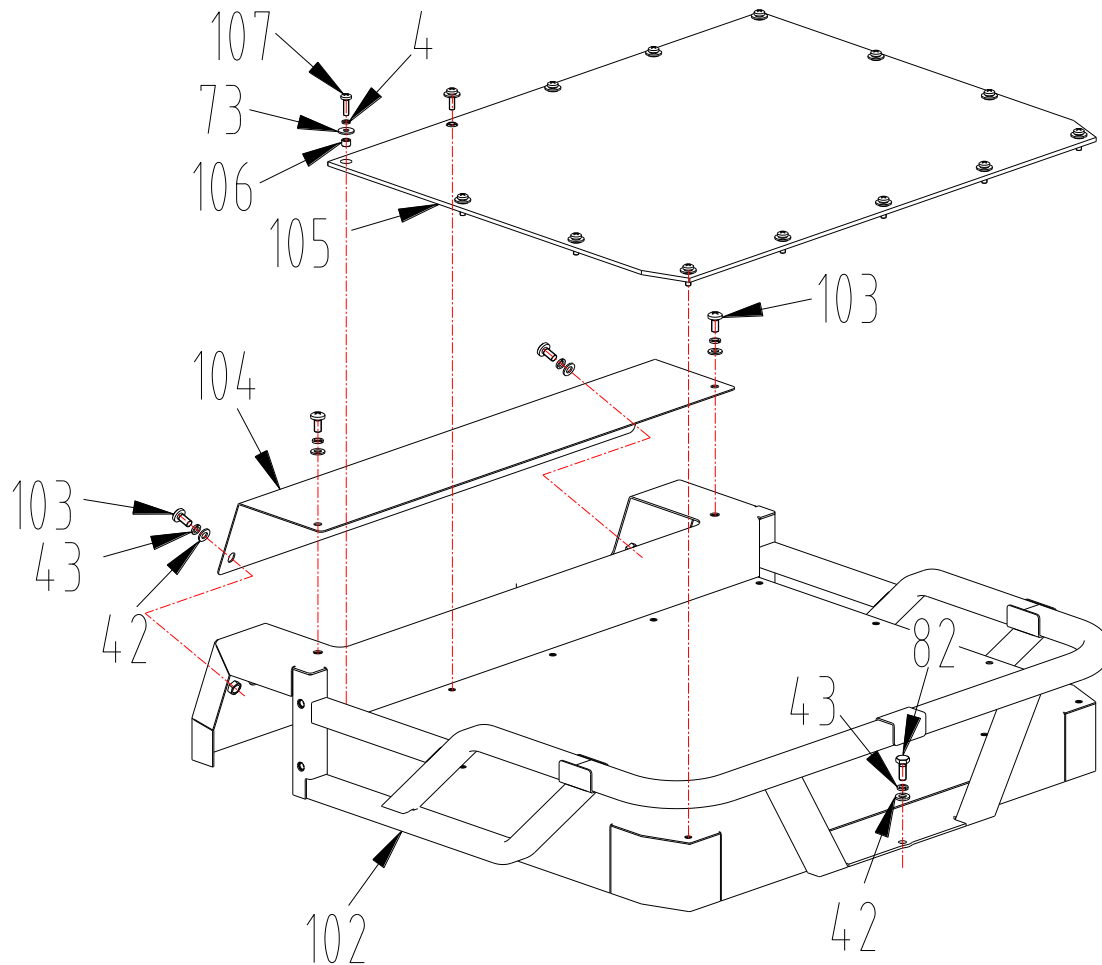
MOTION CONTROL ASSEMBLY(LEFT)



ITEM	PART NUMBER	DESCRIPTION
4	B93-6	LOCKWASHER 6
5	B5783-616	SCREW, HH TAP M6x16
42	B97.1-8	WASHER 8
43	B93-8	WASHER 8 - LOCKWASHER
72	B5783-830	SCREW, HH TAP M8x30
73	B96-6	WASHER, FLAT LARGE M6
76	543154	BUSHING, MOTION CONTROL
77	B894.1-22	SNAP RING 22
78	5232078	SHIM
79	5232079	ARM, RTN
80	5232080	SPRING, RTN
82	B5783-820	SCREW, HH TAP M8x20
84	B9161-SIBJK8C	ROD END 8M RH
85	5232069	SPACER

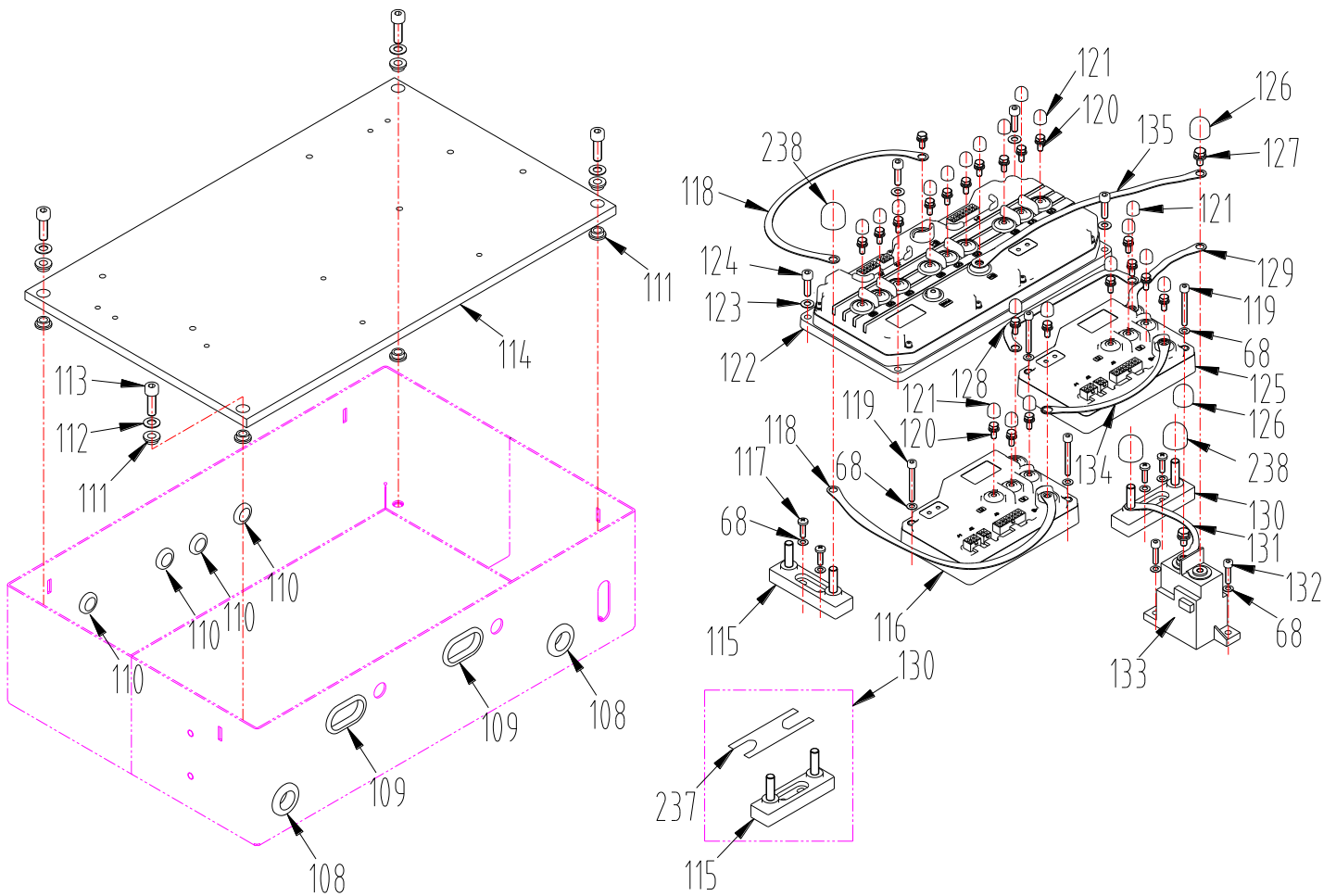
ITEM	PART NUMBER	DESCRIPTION
86	5232071	PLATE, POT MT
87	B5787-860	SCREW, HH FLANGED M8 X 60
88	5238003	POTENTIOMETER
89	B77-616	SETSCREW, M6 X 16MM
90	B6170-6	NUT M6
91	5232088	ASM, CONTROL LINK
92	B6170-8L	NUT M8, LEVO
93	B9161-SIBJK8CL	ROD END 8MM LH
94	5232089	WLD, CONTROL MT LH
95	B6170-8	NUT M8
100	5232075	WLD, RTN CONTROL LH
101	5232072	WLD, RTN PIVOT LH
260	5232079A	ARM, RTN

BATTERY COVER ASSEMBLY



ITEM	PART NUMBER	DESCRIPTION
4	B93-6	LOCKWASHER 6
42	B97.1-8	WASHER 8
43	B93-8	WASHER 8 - LOCKWASHER
73	B96-6	WASHER, FLAT LARGE M6
82	B5783-820	SCREW, HH TAP M8x20
102	5232290	WLD, REAR FRAME
103	B818-816	SCREW, PAN HEAD PHILLIPS M8 X 16
104	5232279	PANEL, MID ACCESS
105	5232295	MAT, REAR RUBBER
106	5232296	WASHER
107	B818-620	SCREW, PAN HEAD PHILLIPS M6 X 20

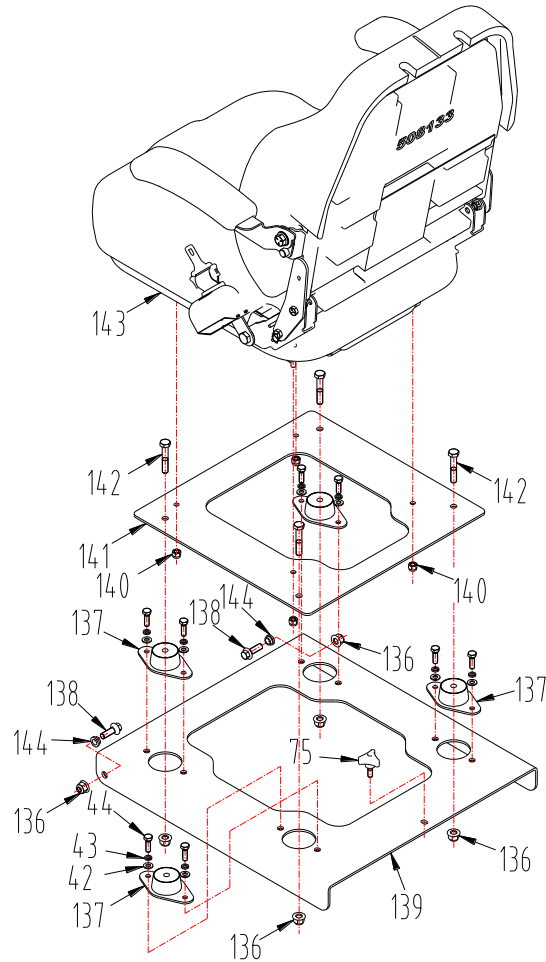
ELECTRICAL BOX ASSEMBLY



ITEM	PART NUMBER	DESCRIPTION
68	B1972-A10	SPRING WASHER A10
108	5238066	GROMMET, 20mm
109	5238067	GROMMET, 22mm x 44mm
110	5238065	GROMMET, 14mm
111	5238063	SPACER (MFM-0812-6)
112	B1972-A16	WASHER, SPRING DISC A16-1
113	B70-825	SCREW M8x25
114	5238015	PLATE, AL ECM BASE
115	5238062	MT, FUSE
116	5238002A	ECM, WHEEL MOTOR
117	B818-516	SCREW, MACHINE M5 x 16MM
118	5238050	CABLE, #6 X 280MM NEG
119	B70.1-535	M5 X 35MM SHCS
120	B9074.13-512	ASM, M5 X 12 SCW/WASHER
121	5238020	CAP, M5 SCREW

122	5238001A	ECM, BLADE MTR (3)
123	B1972-A12.5-1	SPRING WASHER A12.5
124	B70.1-620	M6 X 20MM SHCS
125	5238006	ECM, RH WHEEL MOTOR
126	5238021	CAP, M6 NUT
127	B9074.13-612	ASM, M6 x 12 SCW/WASHER
128	5238049	CABLE, #6 X 220MM POS
129	5238046	CABLE, #6 X 170MM POS
130	5238060	FUSE, MAIN
131	5238044	CABLE, #4 X 160MM POS
132	B70.1-516	M5 X 16MM SHCS
133	5238038A	RELAY, MAIN CNTRL
134	5238041	CABLE, #6 X 220MM NEG
135	5238052	CABLE, #6 X 270MM POS
237	5238061	FUSE 250 AMP
238	5238022	CAP, BOLT

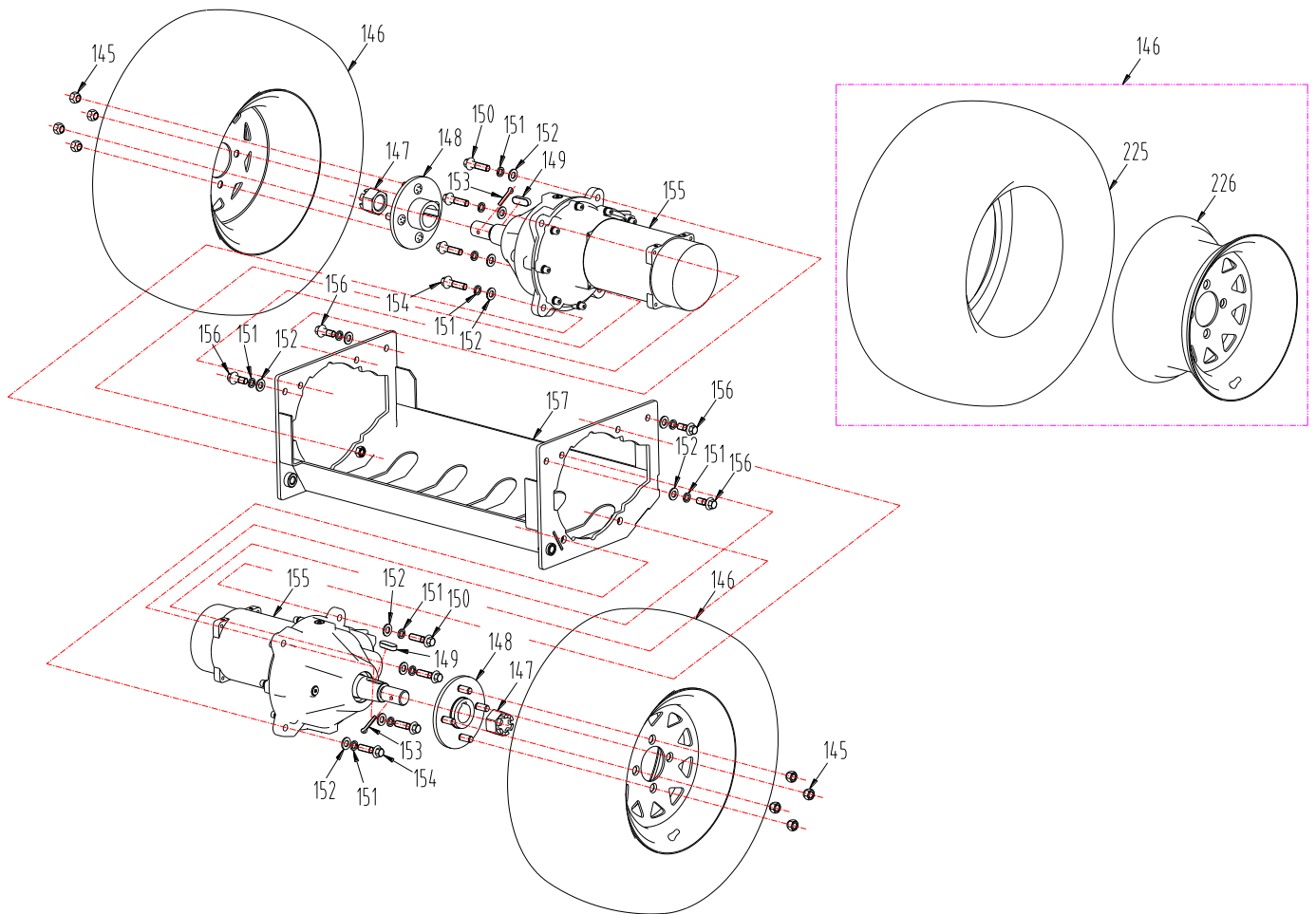
SEAT ASSEMBLY



ITEM	PART NUMBER	DESCRIPTION
42	B97.1-8	WASHER 8
43	B93-8	WASHER 8 - LOCKWASHER
44	B5783-825	HEX HD BOLT M8x25
75	633239	KNOB, LONG 3 PRONG
136	B6183-10	NUT, NYLOC FLANGE M10
137	543181	ISO- MOUNT, SEAT
138	B5787-1030	SCREW, HH FLANGE M10x30

ITEM	PART NUMBER	DESCRIPTION
139	5232053	WLD, SEAT PAN
140	3300119	R/B 104256 NUT 5/16-18 NC
141	5232051	SEAT PAN
142	B5782-1055	SCREW, HH M10x55
143	683348	SEAT, FULL SUSP
144	5232054	BUSHING

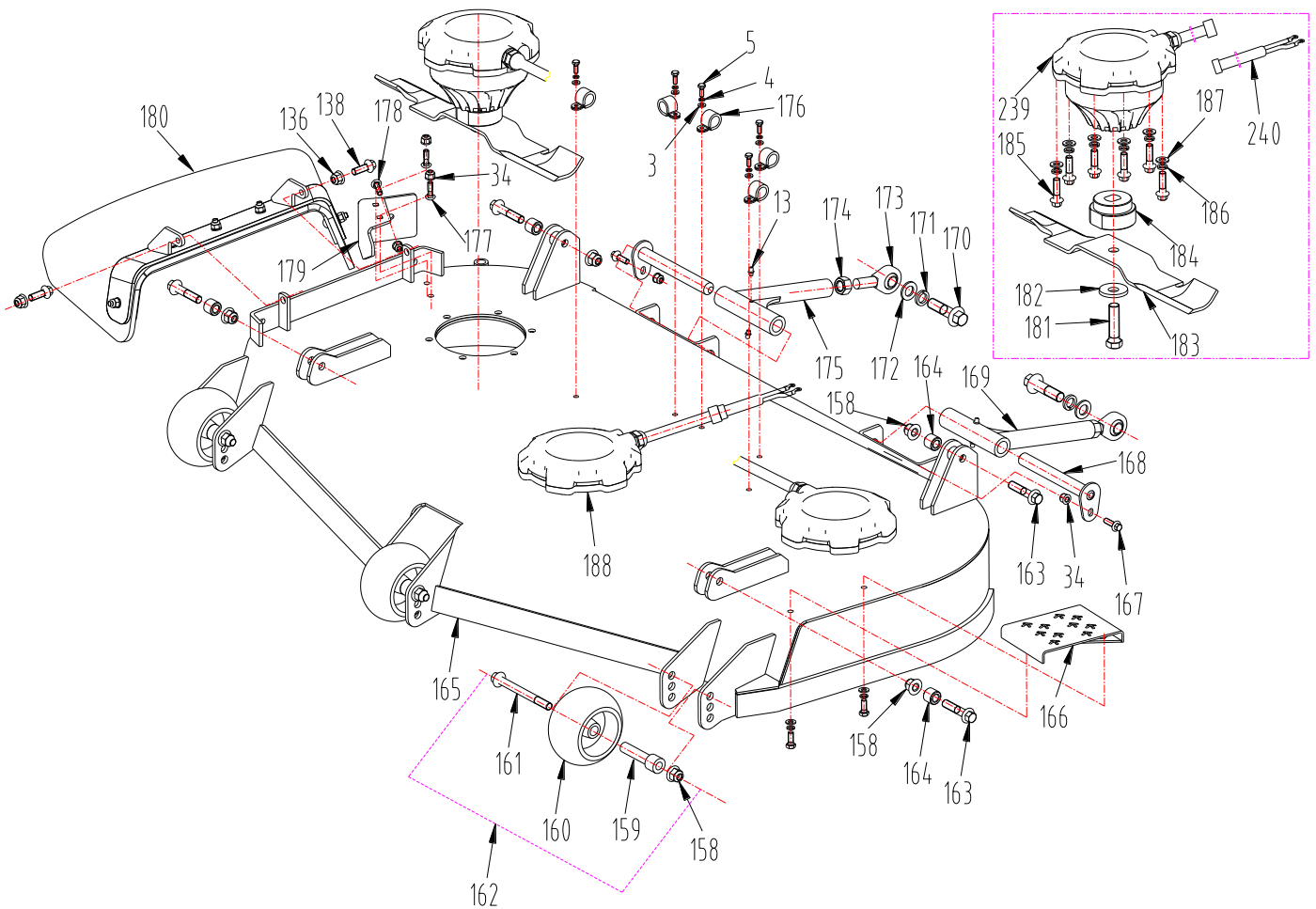
DRIVE ASSEMBLY



ITEM	PART NUMBER	DESCRIPTION
145	103023	LUG NUT 1/2-20UNF
146	5230005	ASM, DR WHEEL
147	B9458-30	NUT, M30 CASTLE
148	5232222	HUB, WHEEL
149	B1096-1440	KEY, 14 X 40
150	B5787-1250	SCREW, HH FLANGED M12 X 50
151	B93-12	LOCKWASHER M12
152	B97.1-12	WASHER 12

ITEM	PART NUMBER	DESCRIPTION
153	B91-6.350	COTTER PIN 6.3x50
154	B5787-1245	SCREW, HH FLANGED M12x45
155	5232200A	MOTOR, EV WHEEL DR
156	B5787-1230	SCREW, HH FLANGED M12x30
157	5232030	WLD, WHEEL MTR MT
225	5230006	TIRE, 24x9.5x12 TURF
226	5230007	RIM, 12 x 8.00 BLACK

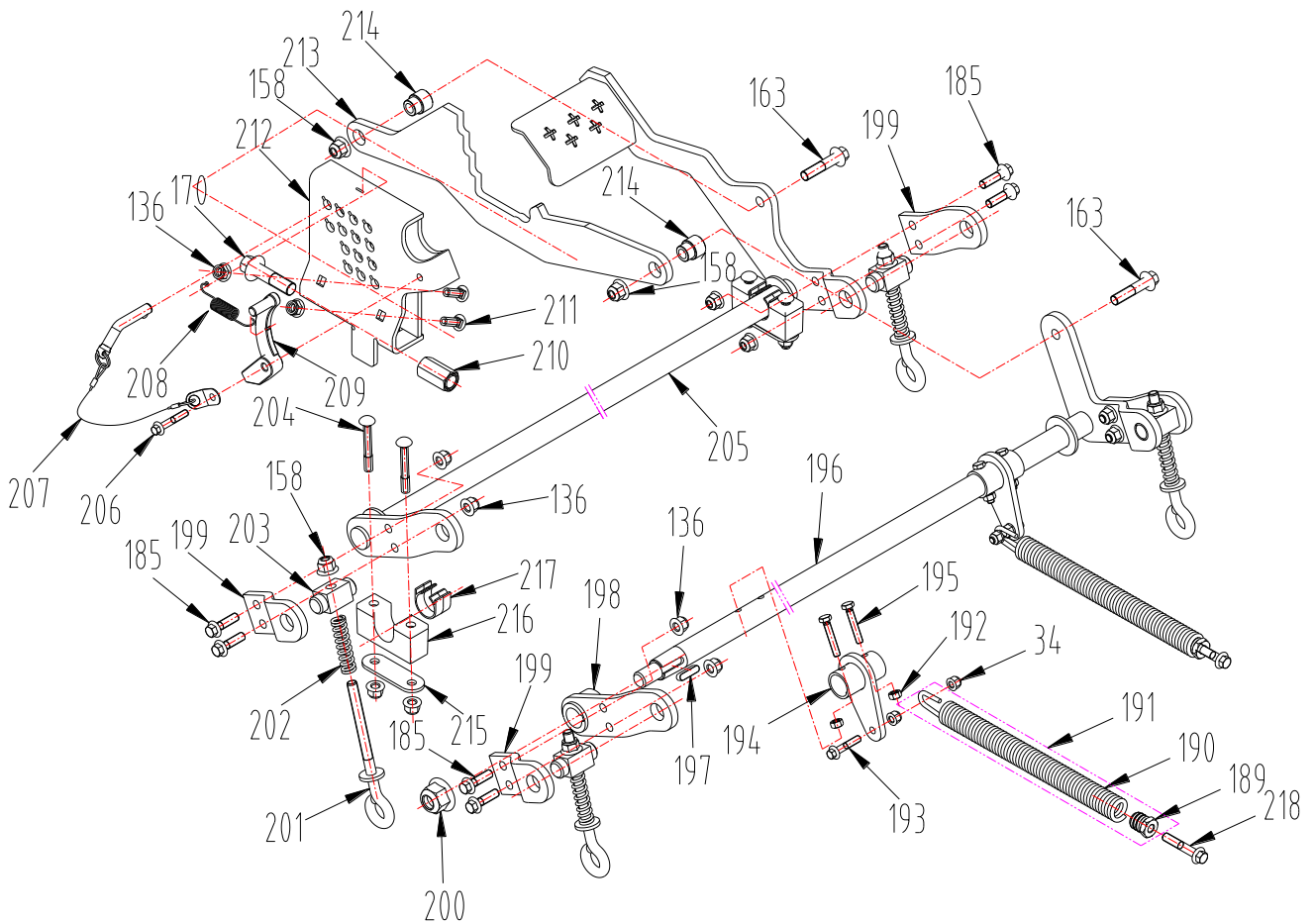
DECK ASSEMBLY



ITEM	PART NUMBER	DESCRIPTION
3	B97.1-6	WASHER 6
4	B93-6	LOCKWASHER 6
5	B5783-616	SCREW, HH TAP M6x16
13	B1153-6	GREASE FITTING M6
34	B6183-8	FLANGED LOCKNUT M8
136	B6183-10	NUT, NYLOC FLANGE M10
138	B5787-1030	SCREW, HH FLANGE M10x30
158	B6183-12	NUT, NYLOC FLANGE M12
159	5231031	AXLE, ANTI-SCALP RLR
160	5201081	ANTI-SCALP ROLLER
161	B5787-12120	SCREW, HH FLANGE M12 X 120
162	5231030	ASM, ANTI-SCALP ROLLER
163	B5787-1255	SCREW, HH FLANGED M12 X 55
164	5231012	BUSHING
165	5231051	WLD, 52 EV DECK

166	542195-2	WLD, ANTI-SKID PAN, RED
167	B5787-825	SCREW, HH FLANGE M8x25
168	5201055	AXLE PIN WELDMENT
169	5231015	ASM, DECK STRUT
170	B5787-1260	SCREW, HH FLANGE M12 X 60
171	B93-16	WASHER, 16MM LOCK
172	B97.1-16	WASHER 16
173	B9161-SIBJK16C	ROD END 16M RH
174	B6170-16	NUT M16
175	5231016	WLD, DECK STRUT
176	5238051	CLAMP, 18MM CABLE
177	B801-825	BOLT, CARRIAGE SN M8X25
178	B801-830	CARRIAGE BOLT M8X30
179	543213-2	BAFFLE, DOGLEG 52, RED
180	6001050A	ASM, DISCHARGE CHUTE 52/60
181	B5785-161560	BOLT M16x1.5x60 GRADE 10.9
182	5201042	WASHER(1)
183	3602005U	BLADE
184	5231061	ADPT, BLADE
185	B5787-1035	HEX FLANGE HD BOLT M10x35
186	B93-10	SPLIT LOCK WASHER M10
187	B97.1-10	WASHER, FLAT M10
188	5231020A	MOTOR, EV BLADE
239	5231025	MAIN BLADE MOTOR
240	5231026	CONNECTING WIRE, BLADE MOTOR

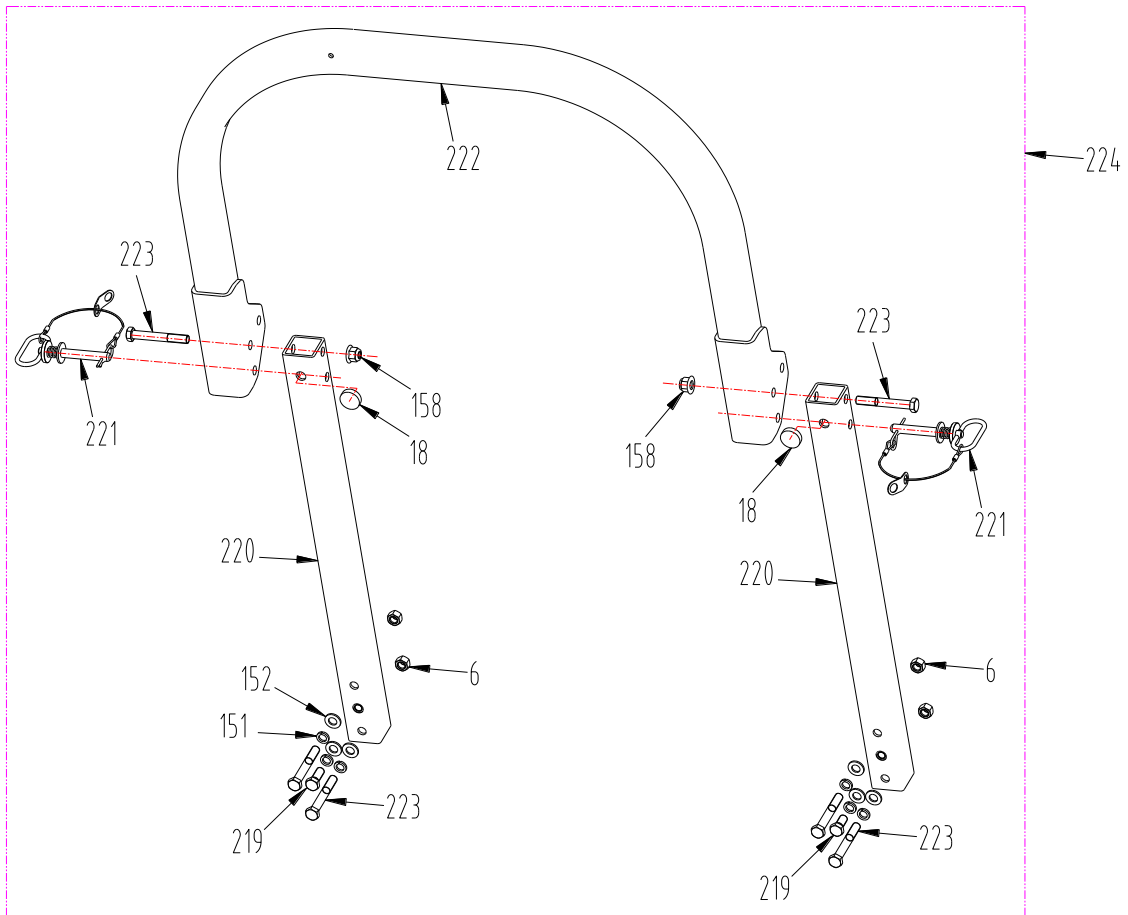
DECK LIFT ASSEMBLY



ITEM	PART NUMBER	DESCRIPTION
34	B6183-8	FLANGED LOCKNUT M8
136	B6183-10	NUT, NYLOC FLANGE M10
158	B6183-12	NUT, NYLOC FLANGE M12
163	B5787-1255	SCREW, HH FLANGED M12 X 55
170	B5787-1260	SCREW, HH FLANGE M12 X 60
185	B5787-1035	HEX FLANGE HD BOLT M10x35
189	5233037	M10 INTERNAL, THD SPRING BOLT
190	5233036	SPRING, 24MM MD X 336MM
191	5233035	SPRING, EXTENSION
192	B6184-8	LOCKNUT M8
193	B5783-840	SCREW, HH TAP M8x40
194	5233011	WLD, SPRING ARM
195	B5783-845	BOLT M8x45
196	5233002	WLD, REAR LIFT SHAFT
197	B1096-832	KEY 8 x 32
198	5233006	WLD, REAR LIFT ARM

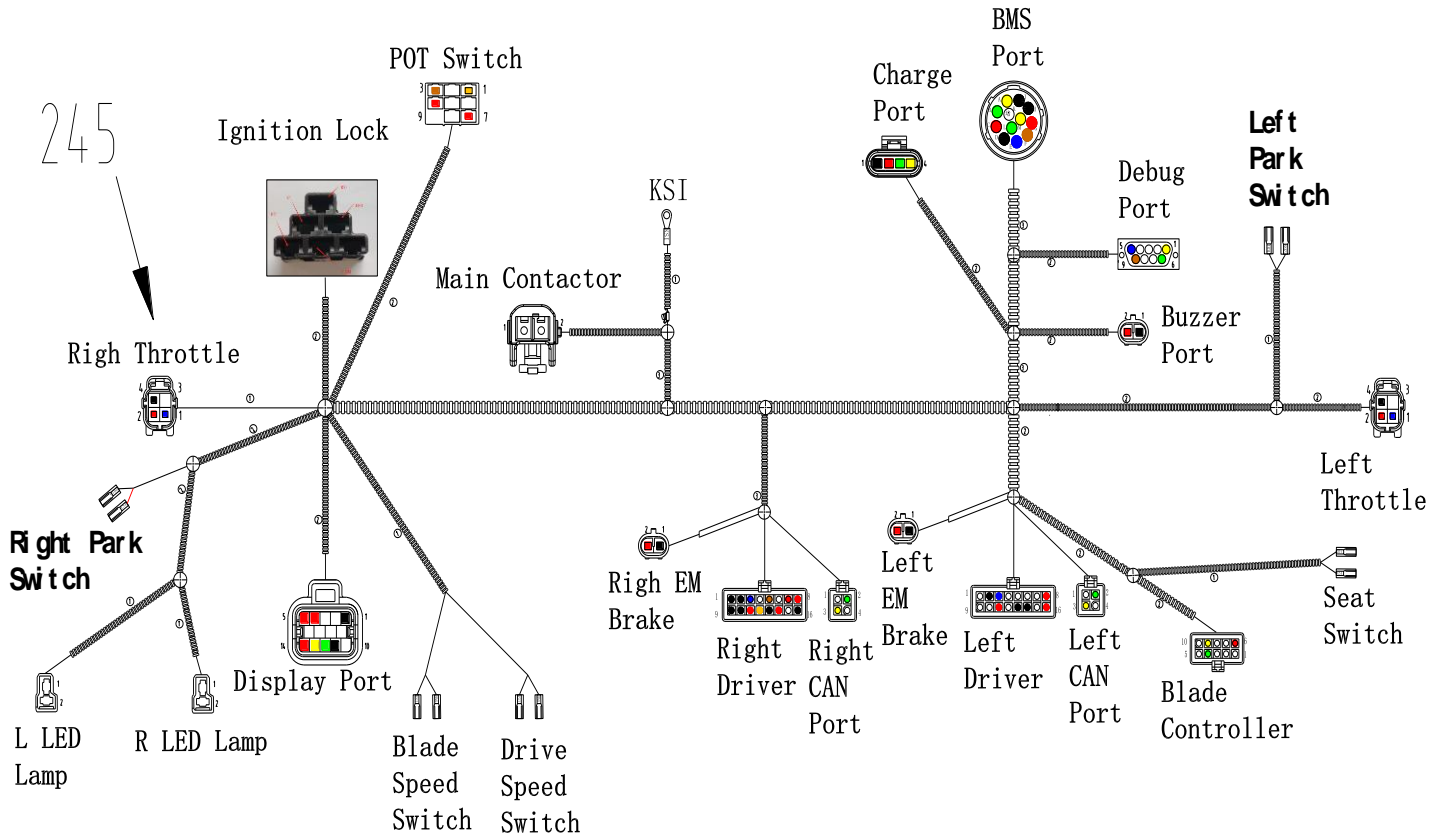
199	5233008	CLAMP, TRUNNION
200	B6183-20	NUT, FLANGED NYLOC M20
201	5233016	EYE BOLT, DECK LIFT
202	5233018	SPRING, DECK ROD
203	5233009	BLOCK, TRUNNION
204	B801-1070	BOLT, CARRIAGE SN M10 X 70
205	5233021	WLD, FRONT LIFT SHAFT
206	B5783-845	BOLT M8x45
207	542193	ASM, HEIGHT PIN
208	543302	SPRING, EXTENSION
209	543138	PAWL, TRANSPORT
210	543445	NUT, LONG 16MM
211	B801-1030	BOLT, CARRIAGE SN M10x30
212	5233031	WLD, HOC BRKT
213	5233025	ARM, HOC LINK
214	5233026	BUSHING, HOC ARM
215	5233014	STRAP, BRNG MT
216	543124A	MOUNT, AL LIFT SHAFT
217	543123	BUSHING, CROSS SHAFT
218	B5787-1055	BOLT M10 X 55

ROPS ASSEMBLY



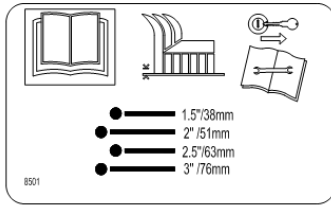
ITEM	PART NUMBER	DESCRIPTION
6	B6184-12	NUT M12
18	633422	BUMPER, RUBBER
151	B93-12	LOCKWASHER M12
152	B97.1-12	WASHER 12
158	B6183-12	NUT, NYLOC FLANGE M12
219	B5783-1230	BOLT M12x30
220	5230031	TUBE, ROPS VERT
221	543262A	PIN, ROPS W/LANYARD
222	632072-1	ROPS UPPER
223	B5782-1285	SCREW, HH M12x85
224	5230030	ROPS, COMPLETE

WIRING DIAGRAM



ITEM	PART NUMBER	DESCRIPTION
245	5238040A	HARNES, EV MAIN

DECALS - SAFETY & OPERATION



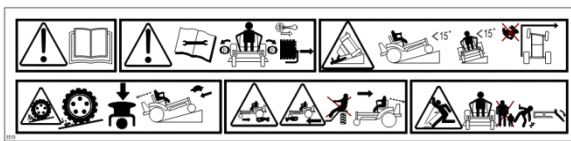
227



228



229



230



231



232



233



234



235

CHARGE



236



251

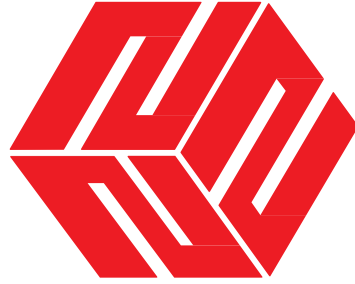


252



253

ITEM	PART NUMBER	DESCRIPTION
227	8501	DECAL, INTERNATIONAL LOGO
228	8308	DECAL, SHIELD WARNING - BLADE BOLTS
229	8303	DECAL, CAUTION, DEFLECTOR
230	8519	DECAL, WARNING, DISCHARGE OR CATCHER
231	8325E	DECAL, E BLADE
232	8101	DECAL, BATTERY INFO
233	8102	DECAL, WEIGHT LIMIT
234	543291	WORLDLAWN LOGO
235	633445	DECAL, CHARGE PORT
236	633446	DECAL, E52 DECK
251	633447	DECAL, 82 VOLT
252	633448	DECAL, E DB FRONT
253	633449	DECAL, WL 18" ('24)



WORLDLAWN[®]
POWER EQUIPMENT