

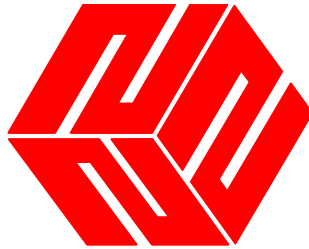
WORLDLAWN®



KING COBRA MAX

WYK60FX1000V5M
WYK60FX1000V5S

PARTS MANUAL



WORLDLAWN®

WORLDLAWN POWER EQUIPMENT, INC.

WORLDLAWN.COM

401 COMMERCE STREET

BEATRICE, NE 68310

800-267-4255

FAX – 402-223-4103

CONTENTS

AVAILABLE ACCESSORIES	6
CASTER ASSEMBLY	7
FRAME ASSEMBLY	8
FRONT BEAM \ REAR CROSS SHAFT.....	11
MOTION CONTROL ASSEMBLY	13
MOTION CONTROL UPDATE	15
FULL SUSPENSION SEAT.....	16
REAR TIRE ASSEMBLY - KENDA.....	18
REAR TIRE ASSEMBLY - MICHELIN	19
DECK LIFT ASSEMBLY	20
60” DECK ASSEMBLY.....	22
SPINDLE HOUSING ASSEMBLY	24
DECK IDLER ASSEMBLY	25
DECK IDLER, 175MM	27
DECK IDLER, 150 MM	28
ENGINE ASSEMBLY FX1000.....	29
FUEL ASSEMBLY.....	31
HYDRO ASSEMBLY	33
ELECTRICAL GROUP	36
WIRING HARNESS.....	37
DECAL GROUP	38
ROPS ASSEMBLY.....	40

AVAILABLE ACCESSORIES

FITS MODELS:

WYK60FX1000V5M

WYK60FX1000V5S

MULCH KIT:

541006 KIT, MULCH 60"

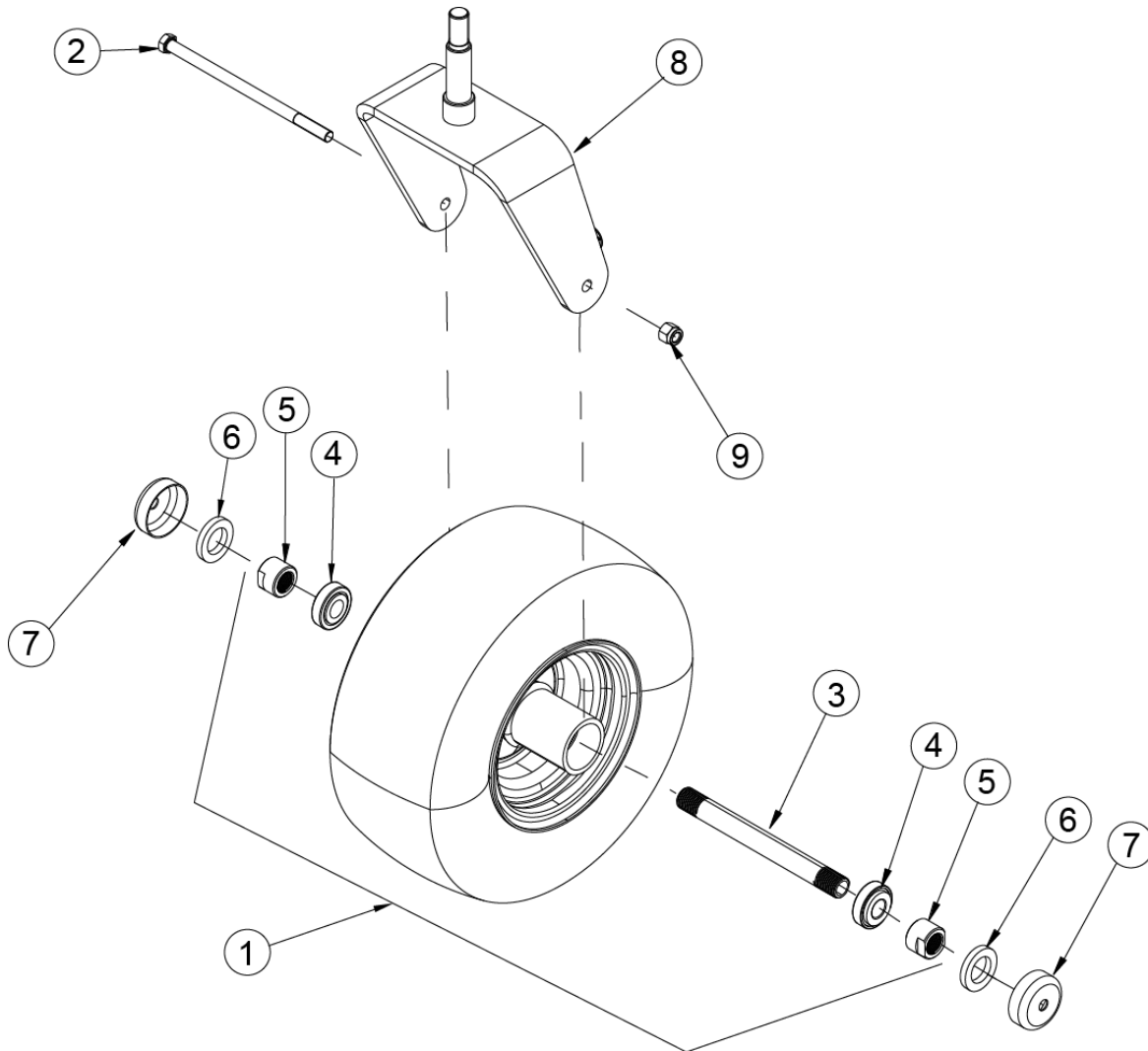
GRASS CATCHER ASSEMBLY:

542201 ASM, 60" GRASS CATCHER W/WEIGHTS

5101003 ASM, 60" BLOWER

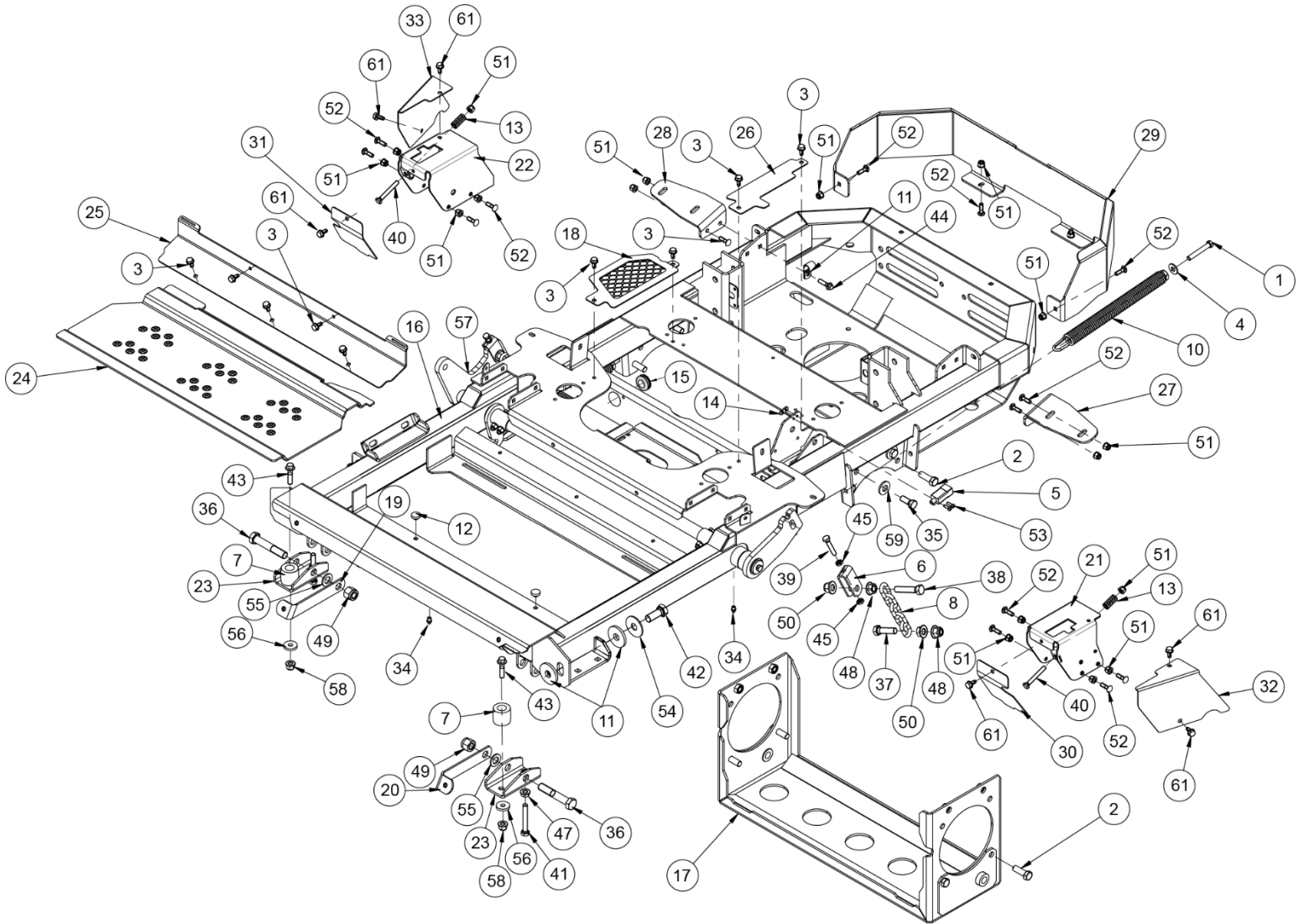
542120 ASM, 60" COLLECTION TUBE

CASTER ASSEMBLY



ITEM	PART NO.	DESCRIPTION
1	543674	ASM, NO-FLAT FNT 13 X 6.50 X 6 BK
2	543189	BOLT, M12 X 225 MM
3	543685	AXLE, No-FLAT CASTER
4	5202037	BEARING, TAPERED ROLLER
5	543686	NUT, No-FLAT AXLE
6	5202036	SEAL. LIP
7	5202026	CAP, DUST
8	542011-2	WLD, CASTER FORK 6.5, RED
9	B6182-12	NUT, NYLOC M12

FRAME ASSEMBLY



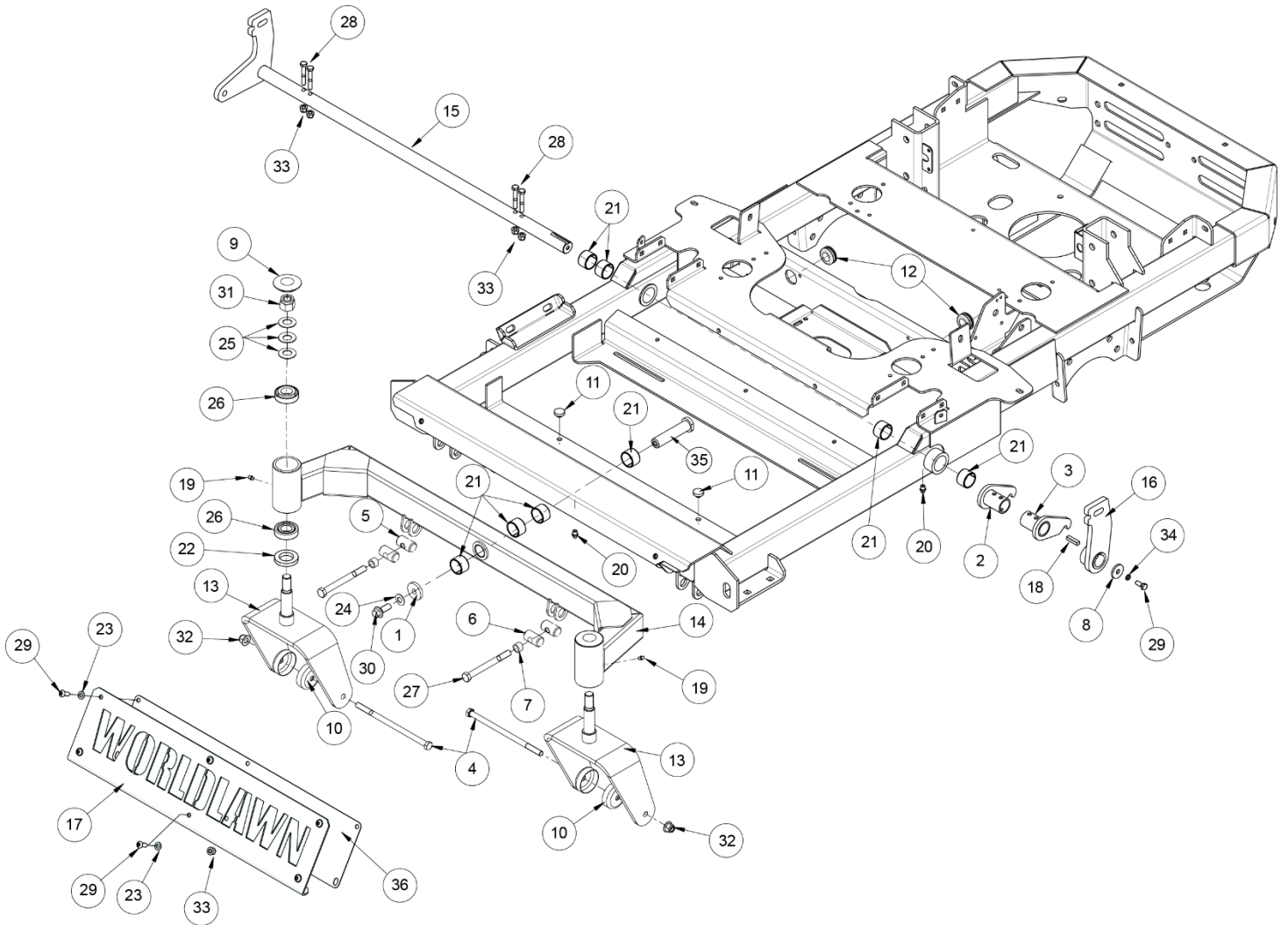
FRAME ASSEMBLY

ITEM	PART NO.	DESCRIPTION
1	B5783-1060	BOLT M10 X 60
2	100327	1/2-13 X 1-1/2 HHCS
3	102500	SCREW, FLANGE TF M8X16 CA-PT
4	B97.1-10	WASHER, FLAT M10
5	523034	PARK SWITCH
6	543125	YOKE, DECK ADJUST
7	543554	RUBBER SPRING 32-GBA-5
8	423359	FRONT CHAIN (5 LINKS)
9	603031	DRAIN CLAMP
10	5233035	SPRING, EXTENSION
11	683099	WASHER, 5/8" ID UHMW
12	5203907	BUMPER, RUBBER
13	5205003	SPRING, COMPRESSION
14	5208103	NUT RACK
15	4LZ2.16.4-04	GROMMET
16	542204	FRAME W/DECALS
17	542171-2	WLD, LOWER HYDRO, RED
18	542172-1	WLD, FAN GUARD RH, BLK
19	542173-2	WLD, FRONT COVER STRAP RH, RED
20	542174-2	WLD, FRONT COVER STRAP LH, RED
21	542175-1	WLD, T-SLOT BRACKET LH, BLK
22	542176-1	WLD, T-SLOT BRACKET RH BLK
23	542190-2	WLD, DAMPER MOUNT, RED
24	543226-1	FLOORPAN, BLACK
25	543418-1	KICKBOARD, BLK
26	543551-1	GUARD, FAN LH, BLK
27	543561-2	PLATE, FUEL TANK MOUNT, LH, RED
28	543562-2	PLATE, FUEL TANK MOUNT, RH, RED
29	543563-1	REAR GUARD, BLK
30	543567-1	COVER, MOTION CONTROL LH, BLK
31	543568-1	COVER, MOTION CONTROL RH, BLK
32	543569-1	BRACKET, MOTION CONTROL, LH, BLK
33	543570-1	BRACKET, MOTION CONTROL, RH, BLK
34	B1152-8	GREASE FITTING 8MM
35	B12613-322820	BUSHING 32 X 28 X 20
36	B5783-1230	BOLT M12X30
37	B5783-1240	SCREW, HH TAP M12 X 40
38	B5783-1255	SCREW, HH TAP M12 X 55
39	B5783-840	SCREW, HH TAP M8 X 40
40	B5783-860	HEX HD BOLT M8X60

FRAME ASSEMBLY

ITEM	PART NO.	DESCRIPTION
41	B5786-1070B	SCREW, HH TAP M10 X 1.25 X 70
42	B5787-1645	SCREW, HH FLANGED M16 X 45
43	B5787-1040	SCREW, HH FLANGE M10X40
44	B5787-830	SCREW, HH FLANGE M8X30
45	B6172-8	NUT, THIN HEX M8
46	B6177-10	NUT, FLANGED M10
47	B6177.2-10	NUT, SERRATED FLANGE M10 X 1.25MM
48	B6177-12	NUT, FLANGED M12
49	B6182-10	NUT, NYLOC M10
50	B6183-12	NUT, NYLOC FLANGE M12
51	B6183-8	NUT, FLANGED NYLOC M8
52	B801-825	BOLT, CARRIAGE SN M8X25
53	B823-516	SCREW M5X16
54	B96-16	WASHER, FLAT 16
55	B97.1-16	WASHER 16
56	T001012	WASHER, 10 MM
57	REFERENCE ONLY	ASM, CROSS SHAFT REAR DETAIL ON PG 13
58	B6183-10	NUT, NYLOC FLANGE M10
59	105502	WASHER, SPRING DISC 1/2
60	B801-820	BOLT, CARRIAGE SN M8X20
61	B5787-616	SCREW, HH FLANGE M6X16

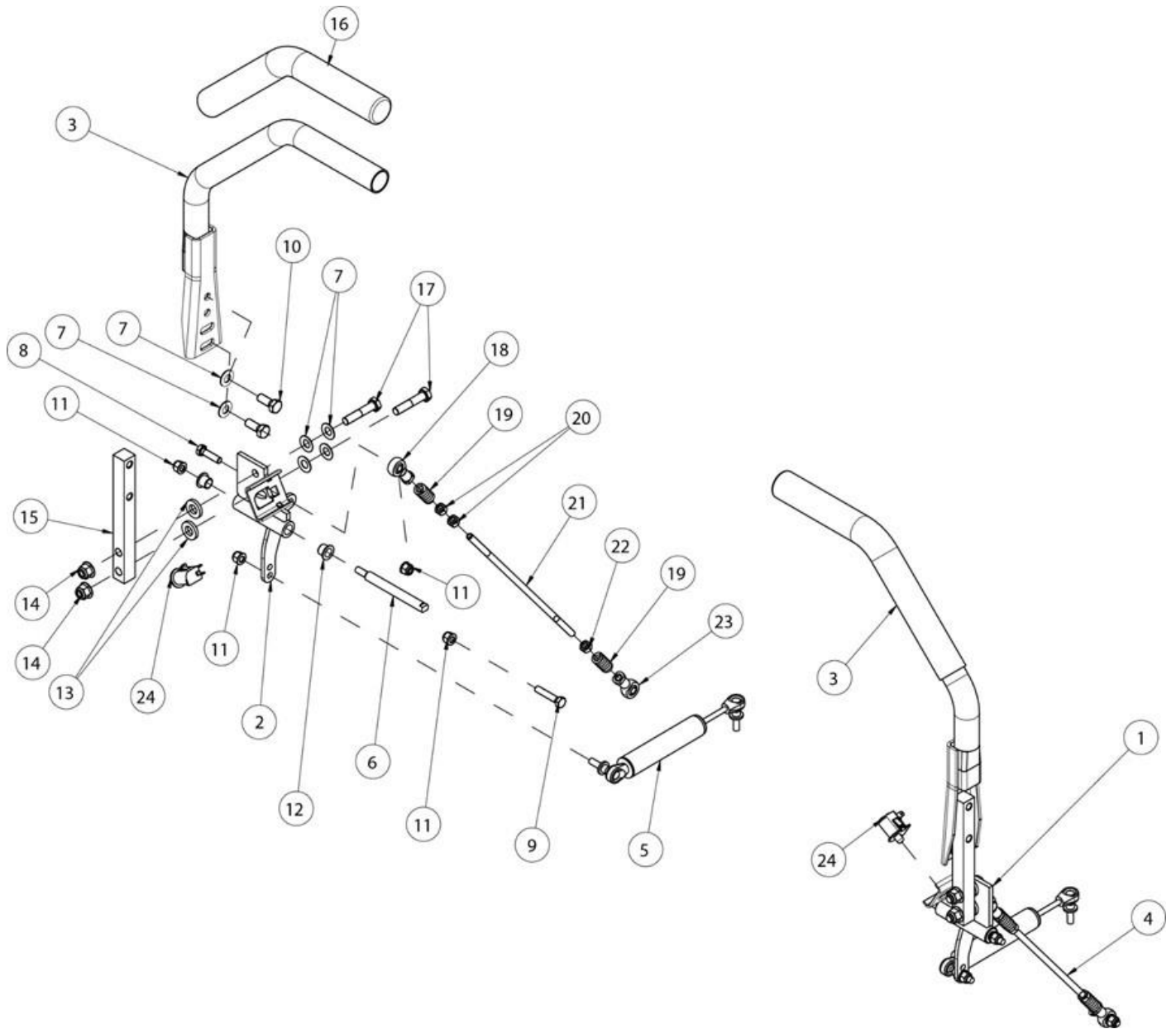
FRONT BEAM \ REAR CROSS SHAFT



FRONT BEAM \ REAR CROSS SHAFT

ITEM	PART NO.	DESCRIPTION
1	423068	CLUTCH WASHER
2	542186	WLD, SPRING MOUNT, REAR RH
3	542187	WLD, SPRING, MOUNT, REAR LH
4	543189	BOLT, M12 X 225 MM
5	543555	CROSS DOWEL W/M12 HOLE
6	543556	CROSS DOWEL W/13MM HOLE
7	543557	DOWEL SPACER
8	5201083	SPACER
9	5202009	DUST CAP
10	5202026	DUST CAP
11	5203907	BUMPER, RUBBER
12	4LZ2.16.4-04	GROMMET
13	542011-2	WLD, CASTER FORK 6.5, RED
14	542178-2	WLD, 60 FRONT AXLE, RED
15	542184-1	WLD, CROSS SHAFT REAR, BLK
16	542185-1	WLD, BRACKET REAR, BLK
17	543649	PANEL, KC FNT
18	B1096-B832	KEY 8 X 32 TYPE B
19	B1152-6	GREASE FITTING M6
20	B1152-8	GREASE FITTING 8MM
21	B12613-322820	BUSHING 32 X 28 X 20
22	B13871-B32528	SEAL (F) 32X52X8
23	B1972-A16	WASHER, SPRING DISC A16-1
24	B1972-A25-2	WASHER, SPRING DISC
25	B1972-A40	WASHER, SPRING DISC A40
26	B297-30205	BEARING 30205
27	B5782-12120	SCREW, HH M12 X 120
28	B5782-850	SCREW, HH M8x50
29	B70.2-820	SCREW, BUTTON SOCKET HEAD M8 X 20
30	B5787-1230	SCREW, HH FLANGED M12 X 30
31	B6182-20	NUT, NYLOC M20
32	B6182-12	NUT, NYLOC M12
33	B6183-8	NUT, FLANGED NYLOC M8
34	B93-8	LOCKWASHER 8
35	543610	PIN, FRONT AXLE
36	543650	PANEL, BLACK BACK

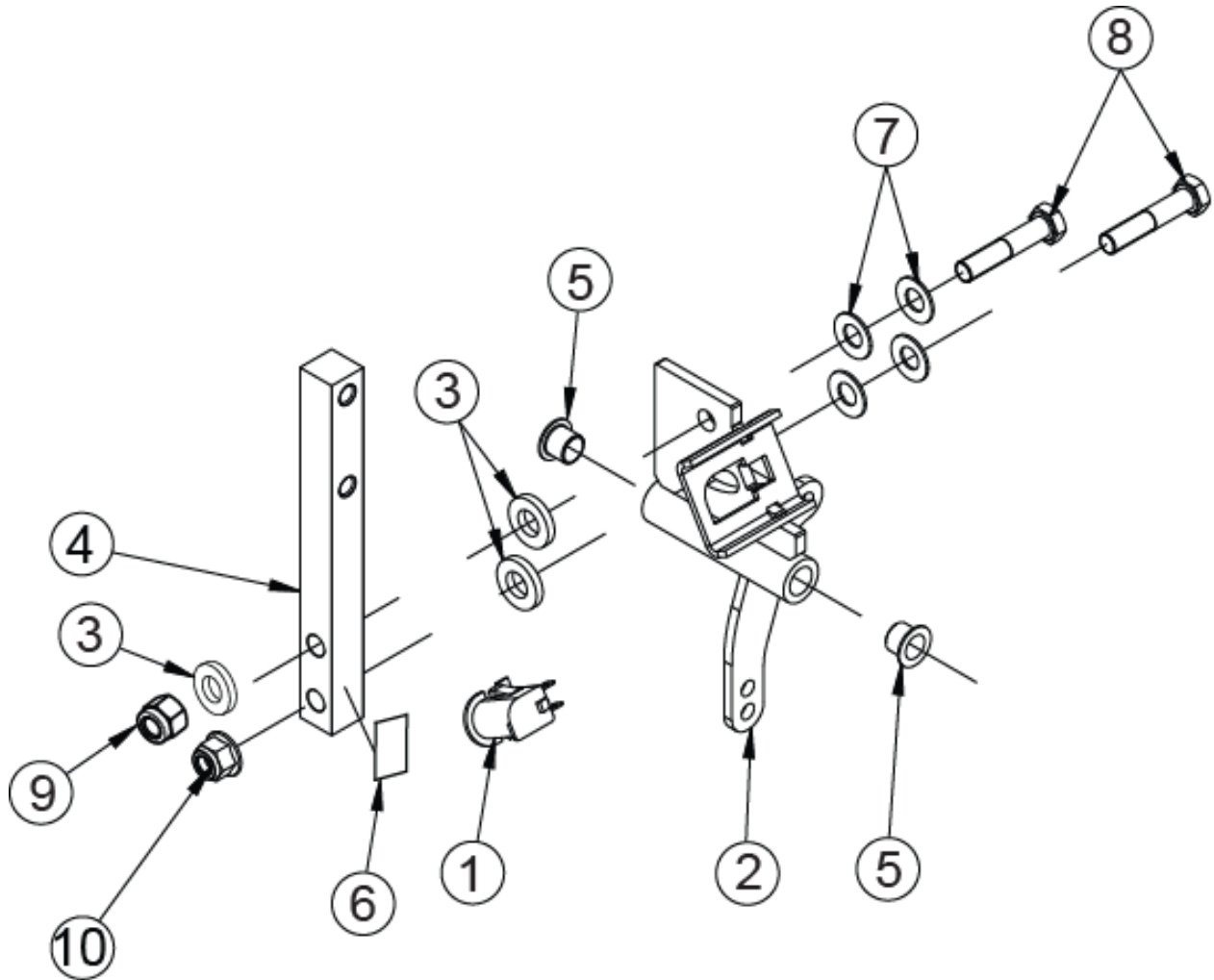
MOTION CONTROL ASSEMBLY



MOTION CONTROL ASSEMBLY

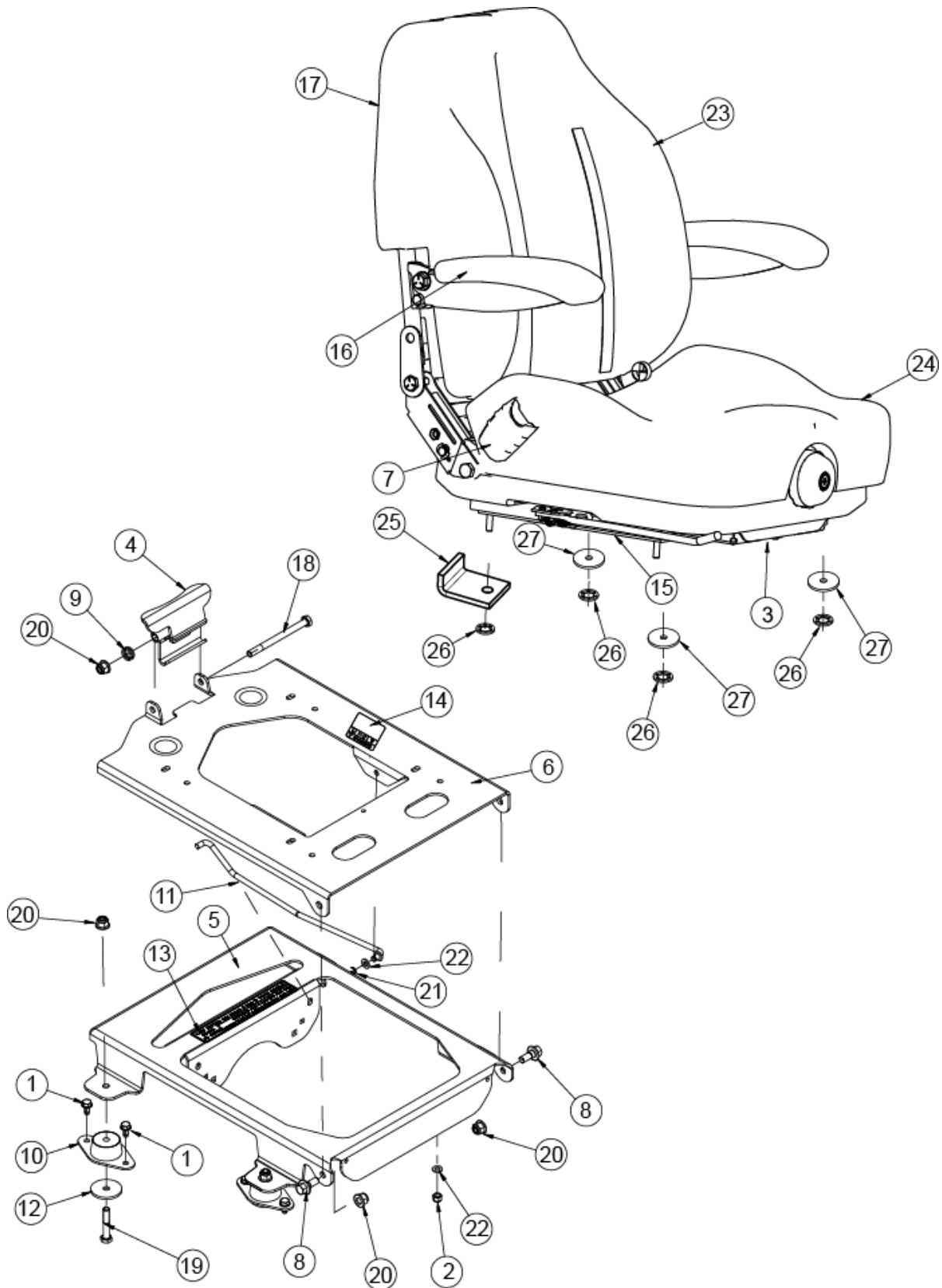
ITEM	PART NO.	DESCRIPTION
1	542044	WLD, MOTION CONTROL LH
2	542079	WLD, MOTION CONTROL RH
3	542048	MOTION CONTROL LEVER W/GRIP
4	542065	5400 LINKAGE COMPLETE
5	543229	DAMPER
6	5002111	ROD, MOTION CONTROL
7	B1972-A22.5-2	WASHER, SPRING DISC A22.5 OD
8	B5783-830	SCREW, HH TAP M8x30
9	B5783-840	SCREW, HH TAP M8 X 40
10	B5783-1025	SCREW, HH TAP M10x25
11	B6183-8	NUT, FLANGED NYLOC M8
12	543154	BUSHING, MOTION CONTROL
13	543152	WASHER, PLASTIC
14	B6183-10	NUT, NYLOC FLANGE M10
15	543153	ARM, MOTION CONTROL
16	543156	GRIP, MOTION CONTROL LEVER
17	B5782-1050	BOLT 10X50
18	5205016	ROD END, SPHERICAL M8 RH SIBJK8S
19	5205003	SPRING, COMPRESSION
20	B6171-8	NUT M8
21	543193	ROD, LINKAGE HYDRO LONG
22	B6171-8L	NUT M8X1 (LH)
23	5205017	ROD END, SPHERICAL M8 LH SILBJK8S
24	353048	SWITCH

MOTION CONTROL UPDATE



ITEM	PART NO.	DESCRIPTION
1	353048	SEAT SWITCH
2	542044	WLD, MOTION CONTROL LH
3	543152	WASHER, PLASTIC
4	543153	ARM, MOTION CONTROL
5	543154	BUSHING, MOTION CONTROL
6	632009-3	SHIM, LEVER SWITCH
7	B1972-A22.5-2	WASHER, SPRING DISC A22.5 OD
8	B5782-1050	BOLT 10X50
9	B6182-10	NUT, NYLOC M10
10	B6183-10	NUT, NYLOC FLANGE M10

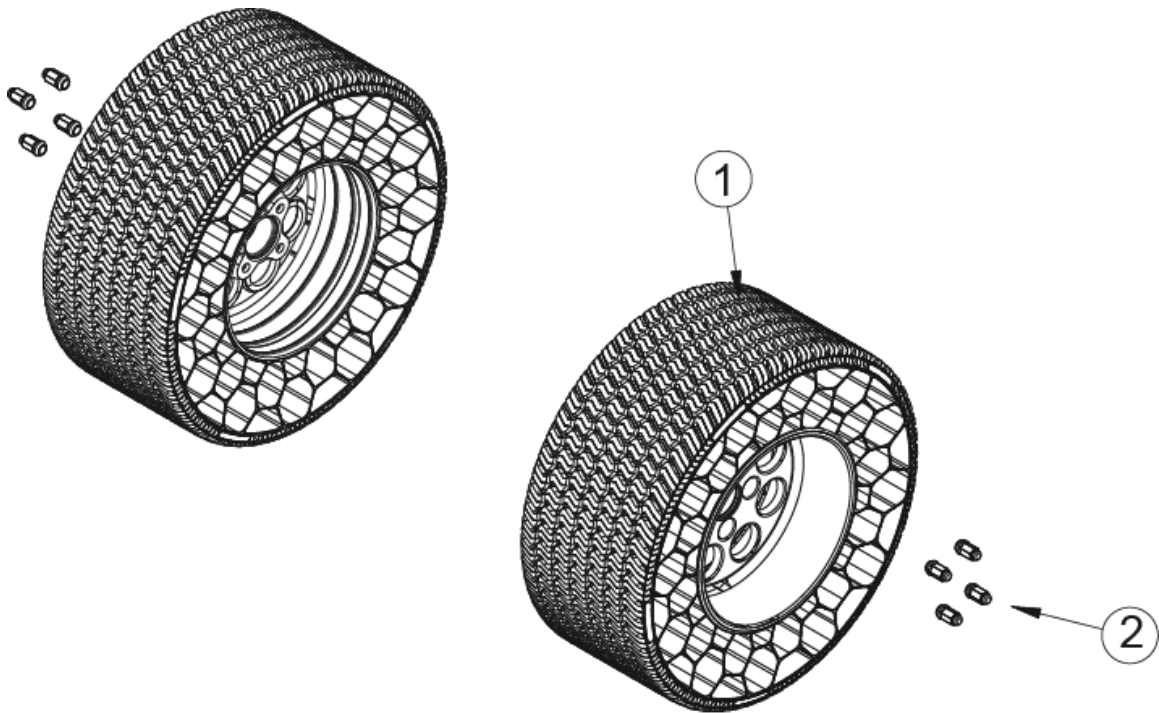
FULL SUSPENSION SEAT



FULL SUSPENSION SEAT

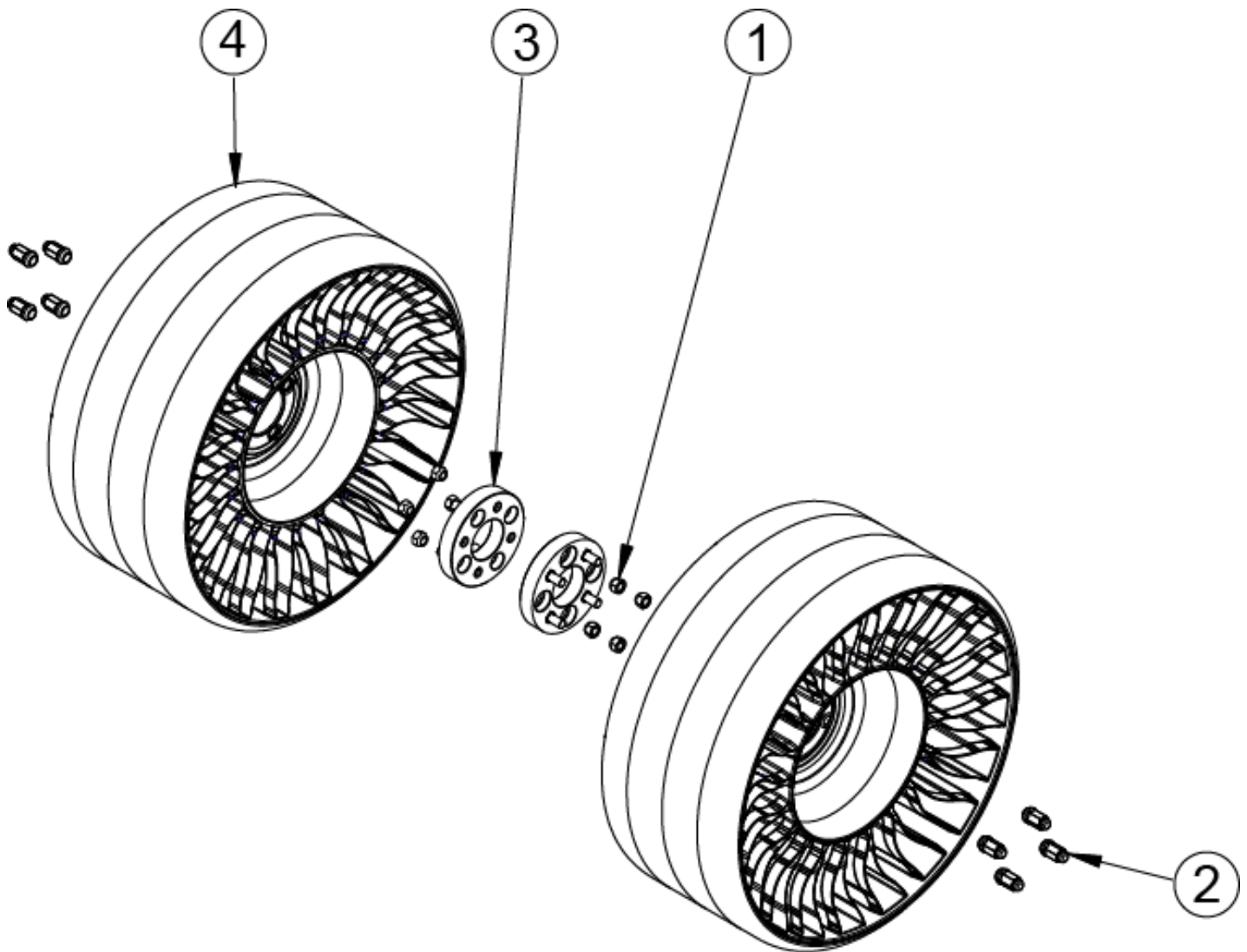
ITEM	PART NO.	DESCRIPTION
1	102500	SCREW, FLANGE TF M8X16 CA-PT
2	104256	5/16-18 HEX NYLOC NUT
3	353048	SEAT SWITCH
4	542202	WLD, SEAT LATCH
5	542110	SEAT PAN W/DECALS
6	542111	SEAT FRAME W/DECALS
7	543004	SEAT BELT KIT - RET.
8	543177	SHOULDER BOLT 10MM
9	543180	SPRING, TORSION
10	543181	ISO- MOUNT, SEAT
11	543252	ROD, SEAT
12	543296	WASHER, SNUBBER
13	543396	DECAL, HYDRO RESERVOIR
14	543397	DECAL, BATTERY WARNING
15	683375	SET, I3M SEAT TRACK
16	593097	ARM REST PAD - MOLDED
17	683348	SEAT, SUSPENSION
18	B5782-10125	SCREW, HH M10X125
19	B5782-1060	BOLT 10X60
20	B6183-10	NUT, NYLOC FLANGE M10
21	B896-6	E-CLIP 6
22	B97.1-8	WASHER 8
23	683377	COVER, I3M NG BACK
24	683376	COVER, I3M NG CUSHION
25	593244	FS SEAT STOP
26	109030	5/16 RETAINING CLIP
27	B97.1-8	WASHER 8
28	543662	WASHER, 1.5 OD X .188 THK-PLTD

REAR TIRE ASSEMBLY - KENDA



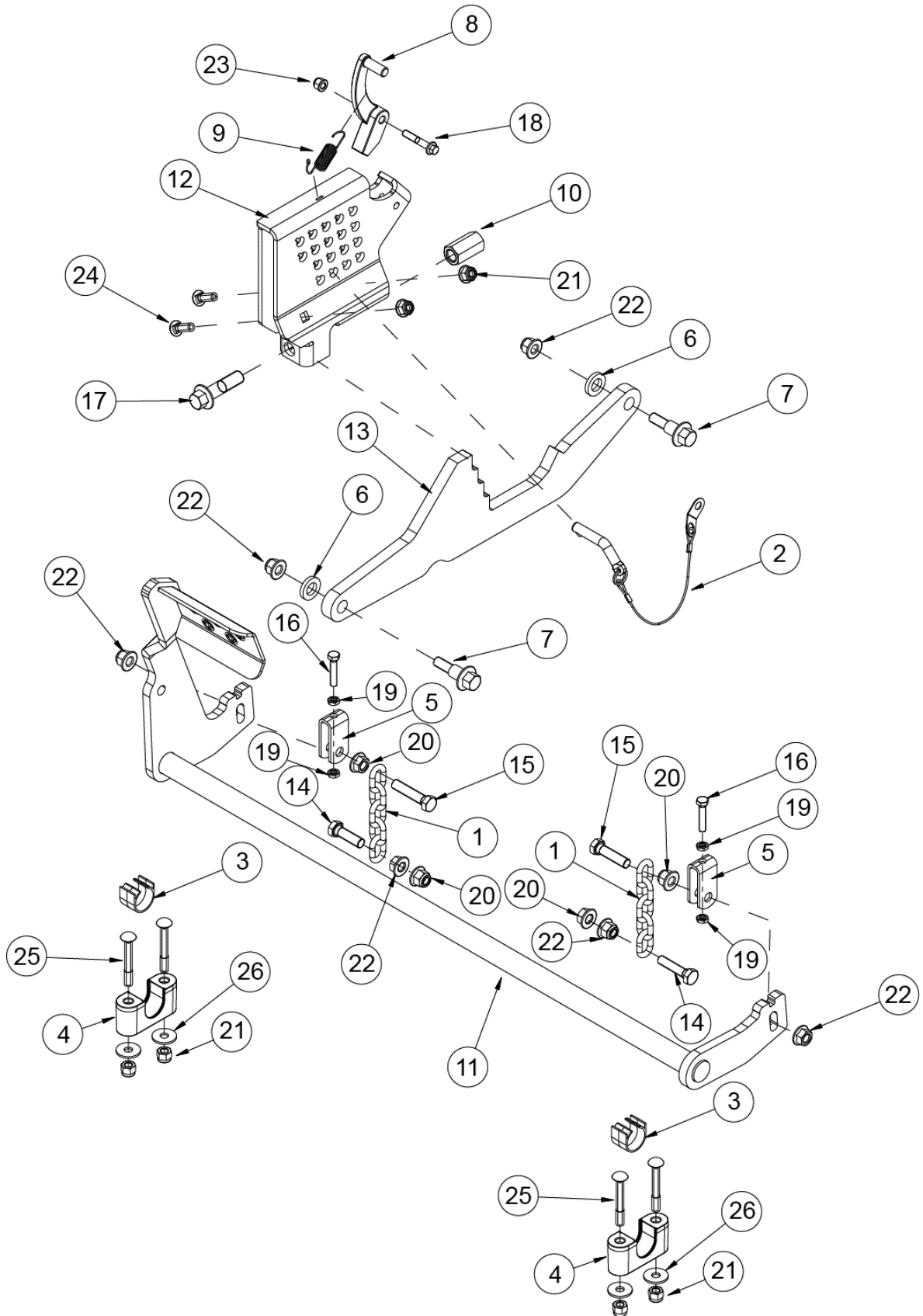
ITEM	PART NO.	DESCRIPTION
1	543673	WHEEL, NO-FLAT TS 24 X 12 X 12 BK
2	103036	LUG NUT, CAPPED 1/2-20 (CHROME)

REAR TIRE ASSEMBLY - MICHELIN



ITEM	PART NO.	DESCRIPTION
1	103023	1/2-20 X 60 T LUG NUT
2	103036	LUG NUT, CAPPED 1/2-20 [CHROME]
3	542164	ASM, TWEEL SPACER
4	543684	TWEEL, 24X12X12

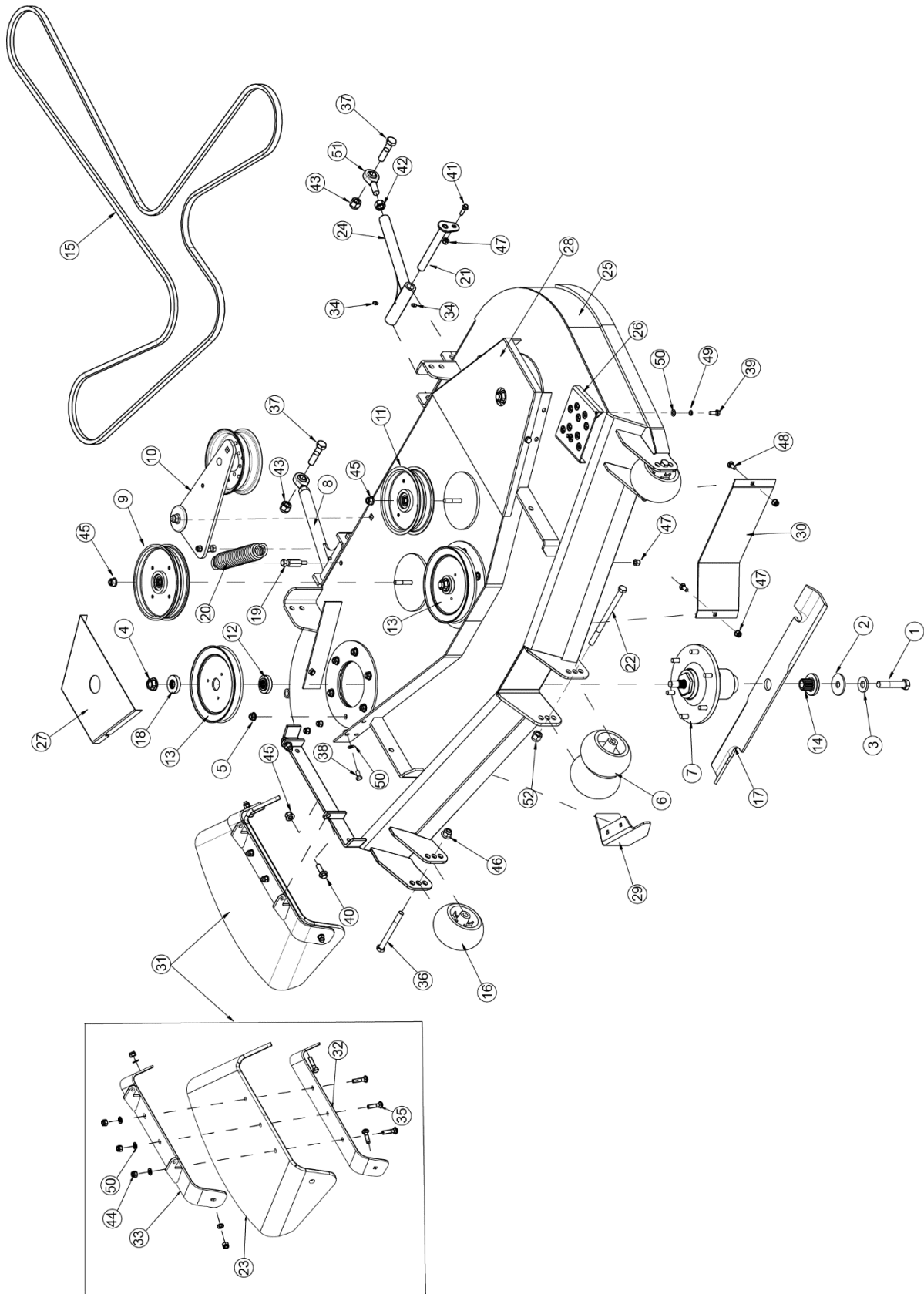
DECK LIFT ASSEMBLY



DECK LIFT ASSEMBLY

ITEM	PART NO.	DESCRIPTION
1	423359	FRONT CHAIN (5 LINKS)
2	542193	ASM, HEIGHT PIN
3	543123	BUSHING, CROSS SHAFT
4	543124A	MOUNT, AL LIFT SHAFT
5	543125	YOKE, DECK ADJUST
6	543126	SPACER, 16MM X 5M
7	543127	BOLT, SHOULDER 12MM
8	543138	PAWL, TRANSPORT
9	543302	SPRING, EXTENSION
10	543445	NUT, LONG 16MM
11	542003-1	WLD, CROSS SHAFT FRONT, BLACK
12	542112	HOC PLATE W/DECAL
13	543599-1	LINK, SIDE, BLK
14	B5783-1240	SCREW, HH TAP M12 x 40
15	B5783-1255	SCREW, HH TAP M12 x 55
16	B5783-840	SCREW, HH TAP M8 X 40
17	B5787-1660	SCREW, HH FLANGE M16 X 60
18	B5787-845	SCREW, HH FLANGE M8X45
19	B6172-8	NUT, THIN HEX M8
20	B6177-12	NUT, FLANGED M12
21	B6182-10	NUT, NYLOC M10
22	B6183-12	NUT, NYLOC FLANGE M12
23	B6183-8	NUT, FLANGED NYLOC M8
24	B801-1030	BOLT, CARRIAGE SN M10X30
25	B801-1070	BOLT, CARRIAGE SN M10x70
26	B96-10	WASHER, FLAT M10

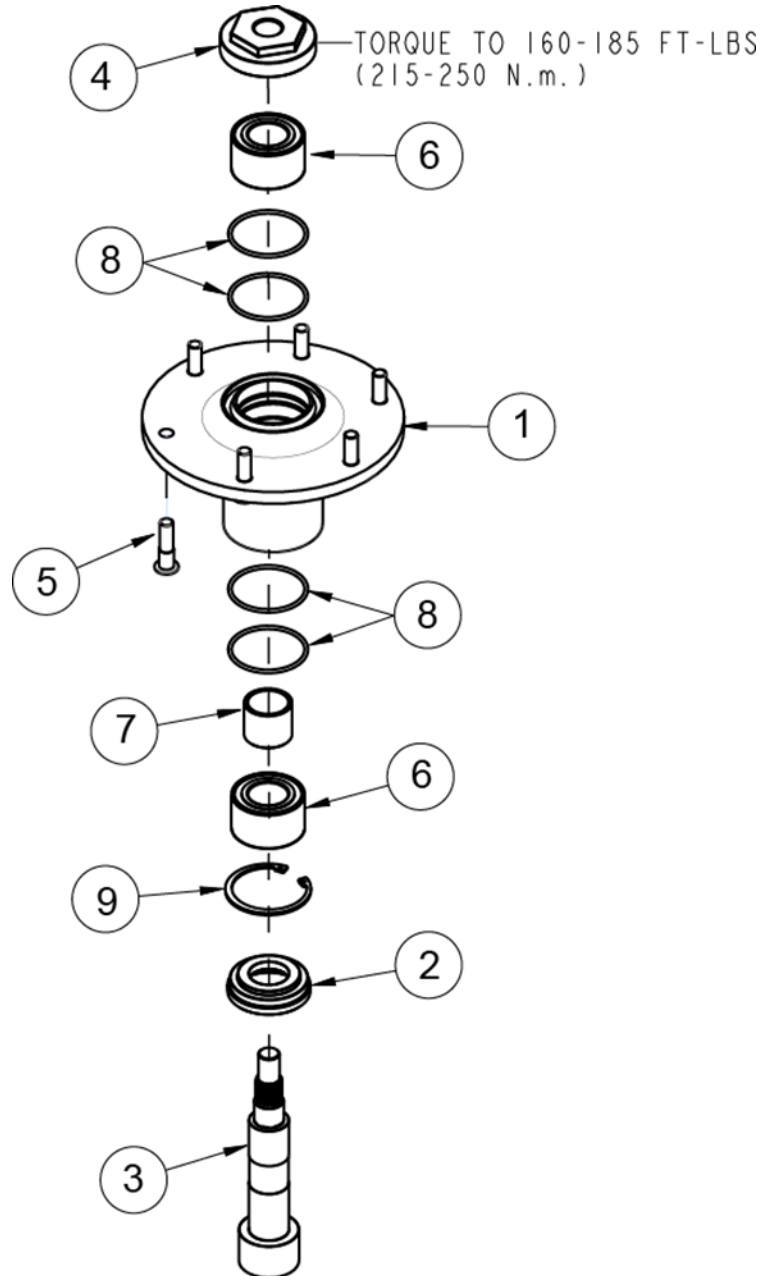
60" DECK ASSEMBLY



60" DECK ASSEMBLY

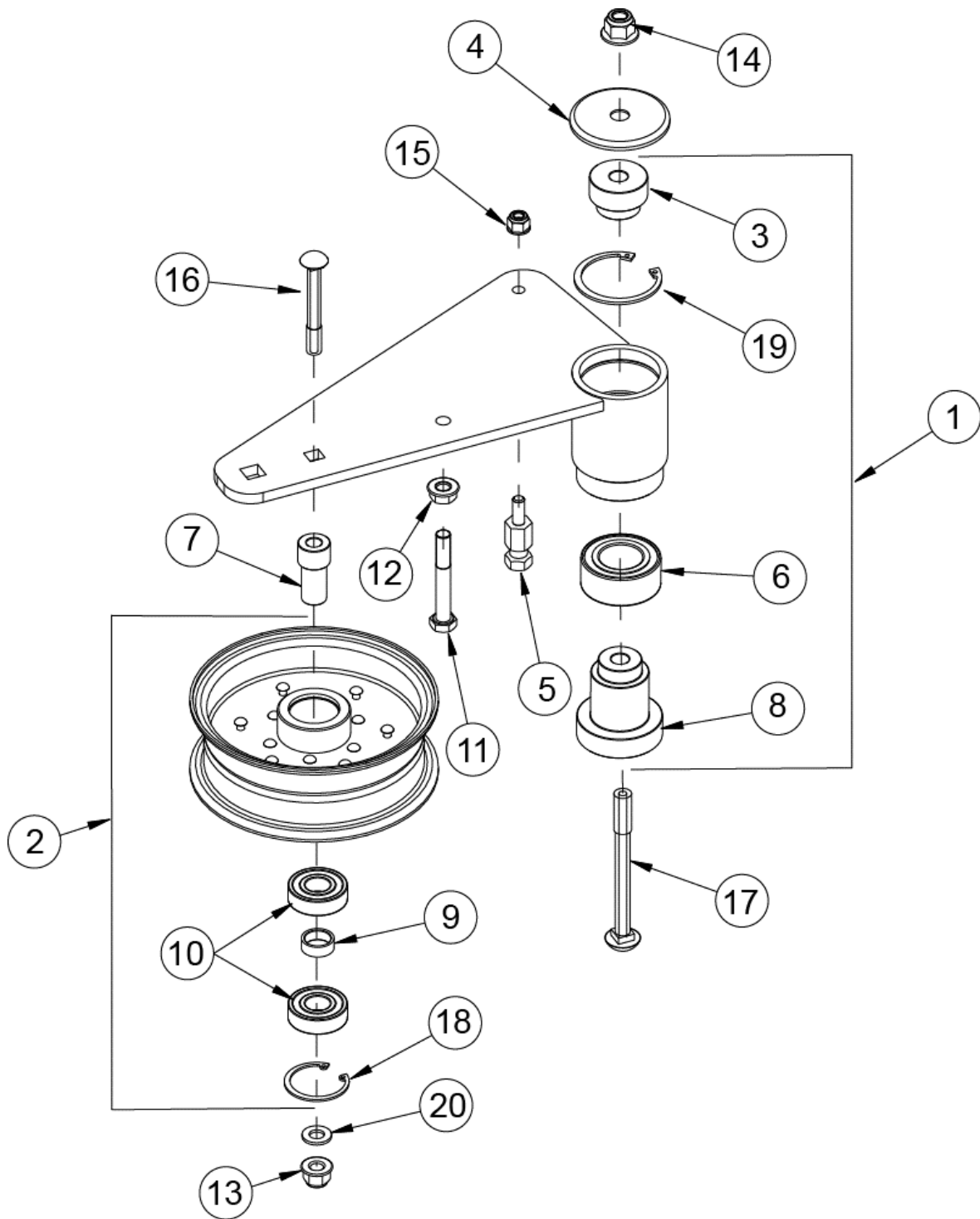
ITEM	PART NO.	DESCRIPTION
1	100537	1/2-20 X 2-1/2 HHCS
2	103038	.530 X 1.75 X .125 FLAT WASHER
3	105502	WASHER, SPRING DISC 1/2
4	109047	NUT, FLANGE SIDELOCK 5/8-18 UNF
5	109048	NUT, FLANGE NYLOC 3/8-16 UNC
6	423023	DECK ROLLER, OFFSET
7	542014	ASM, SPINDLE HOUSING DETAIL ON PG 24
8	542025	ASM, DECK STRUT
9	542125	IDLER, FLAT 175MM W/NEW SPACER DETAIL ON PG 27
10	542132	ASM, COMPLETE DECK IDLER DETAIL ON PG 25
11	542147	ASM, 150MM FLAT IDLER W/SPACER DETAIL ON PG 28
12	543014	SPACER, BLADE DRIVE
13	543080	SHEAVE, BLADE DRIVE 6.86
14	542123	BLADE DRIVER KIT
15	543103	BELT, DECK 60"
16	543225	ROLLER, ANTI SCALP
17	543294	BLADE, STD 20.5"
18	543337	SPACER, SPLINED
19	543374	ANCHOR, SPRING 1.46
20	5201002	SPRING, EXTENSION
21	5201055	AXLE PIN WELDMENT
22	5202029	SCREW, HH CAP M12 X 185
23	6001053	DISCHARGE CHUTE (RUBBER)
24	542024-1	WLD, STRUT, BLACK
25	542206	60" DECK W/DECALS
26	542195-2	WLD, ANTI-SKID PAN, RED
27	543070-2	SHIELD, BELT SHORT, RED
28	543081-2	SHIELD, BELT LONG, RED
29	543214-2	BAFFLE, DOGLEG 60, RED
30	543217-2	BAFFLE, BIRDWING 60, RED
31	6001050A	ASM, DISCHARGE CHUTE 52/60
32	6001052A	INNER BRACKET, DISCHARGE CHUTE
33	6001054A	OUTER BRACKET, DISCHARGE CHUTE
34	B1152-6	GREASE FITTING M6
35	B12-835	CARRIAGE HD BOLT M8 X 35
36	B5782-12120	SCREW, HH M12 X 120
37	B5782-1665	SCREW, HH M16 X 65
38	B5783-816	SCREW, HH TAP M8x16
39	B5783-820	SCREW, HH TAP M8x20
40	B5787-1030	SCREW, HH FLANGE M10x30
41	B5787-825	SCREW, HH FLANGE M8x25
42	B6170-16	NUT M16
43	B6182-16	NYLOC NUT M16
44	B6182-8	NUT, NYLOC M8
45	B6183-10	NUT, NYLOC FLANGE M10
46	B6183-12	NUT, NYLOC FLANGE M12
47	B6183-8	NUT, FLANGED NYLOC M8
48	B801-820	BOLT, CARRIAGE SN M8X20
49	B93-8	LOCKWASHER 8
50	B97.1-8	WASHER 8
51	SABJK16C	ROD END, SPHERICAL 16mm
52	B6182-12	NUT, NYLOC M12

SPINDLE HOUSING ASSEMBLY



ITEM	PART NO.	DESCRIPTION
1	542012	HOUSING, CUTTER W/STUDS
2	543008	GUARD, BOTTOM
3	543009	SPINDLE
4	543010	NUT, SPINDLE
5	543015	STUD, WHEEL 10MM
6	543166	BEARING, DAC3055RK
7	543237	SPACER
8	B3452.1-545X265	O-RING 54.5 X 2.65
9	B893.2-60	RING, SNAP INTERNAL 60mm

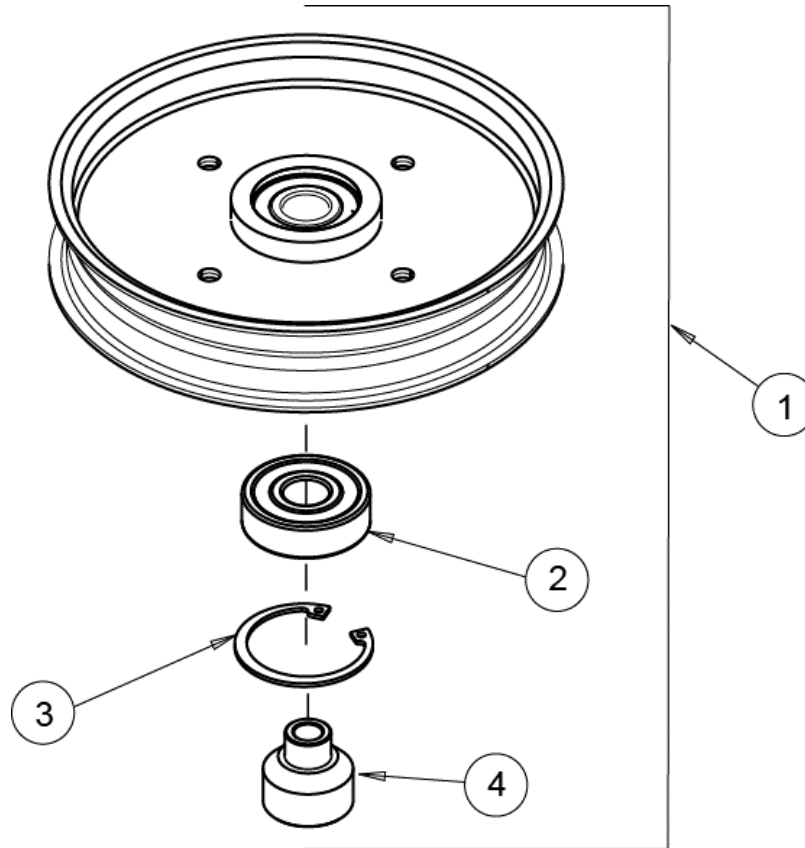
DECK IDLER ASSEMBLY



DECK IDLER ASSEMBLY

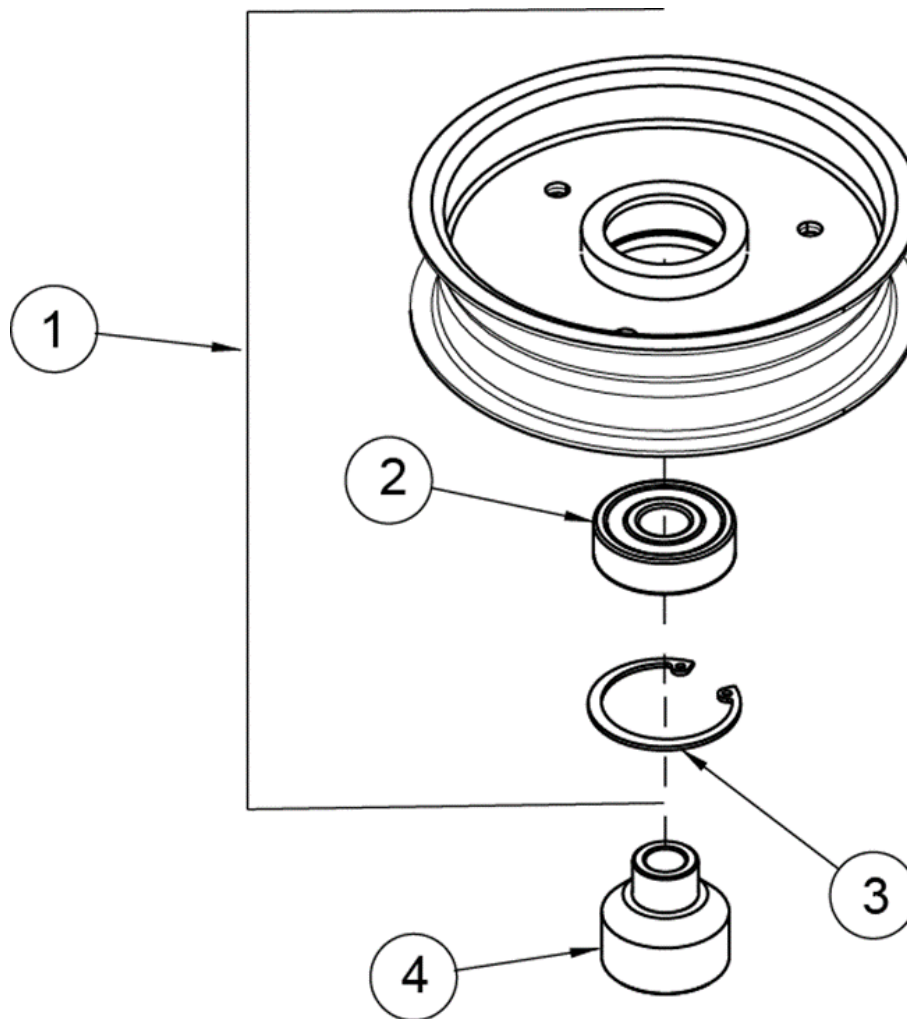
ITEM	PART NO.	DESCRIPTION
1	542131	ASM, DECK IDLER
2	542134	ASM, PULLEY 150MM X 48MM W/BEARINGS
3	543096	SPACER, STEPPED
4	543099	CAP, DUST
5	543100	ANCHOR, SPRING .91
6	543236	BEARING, 30BD40DF2
7	543462	SPACER, PULLEY
8	543463	SPACER, TALL IDLER
9	5201077	BUSHING
10	B276-6203RS	BEARING 6203-2RS
11	B5782-1070	HEX HD BOLT M10X70
12	B6177-10	NUT, FLANGED M10
13	B6183-10	NUT, NYLOC FLANGE M10
14	B6183-12	NUT, NYLOC FLANGE M12
15	B6183-8	NUT, FLANGED NYLOC M8
16	B801-1075	BOLT, CARRIAGE M10 X 75
17	B801-12120	BOLT, CARRIAGE M12 X 120
18	B893.1-40	SNAP RING 40
19	B893.2-56	RING, SNAP 56MM

DECK IDLER, 175MM



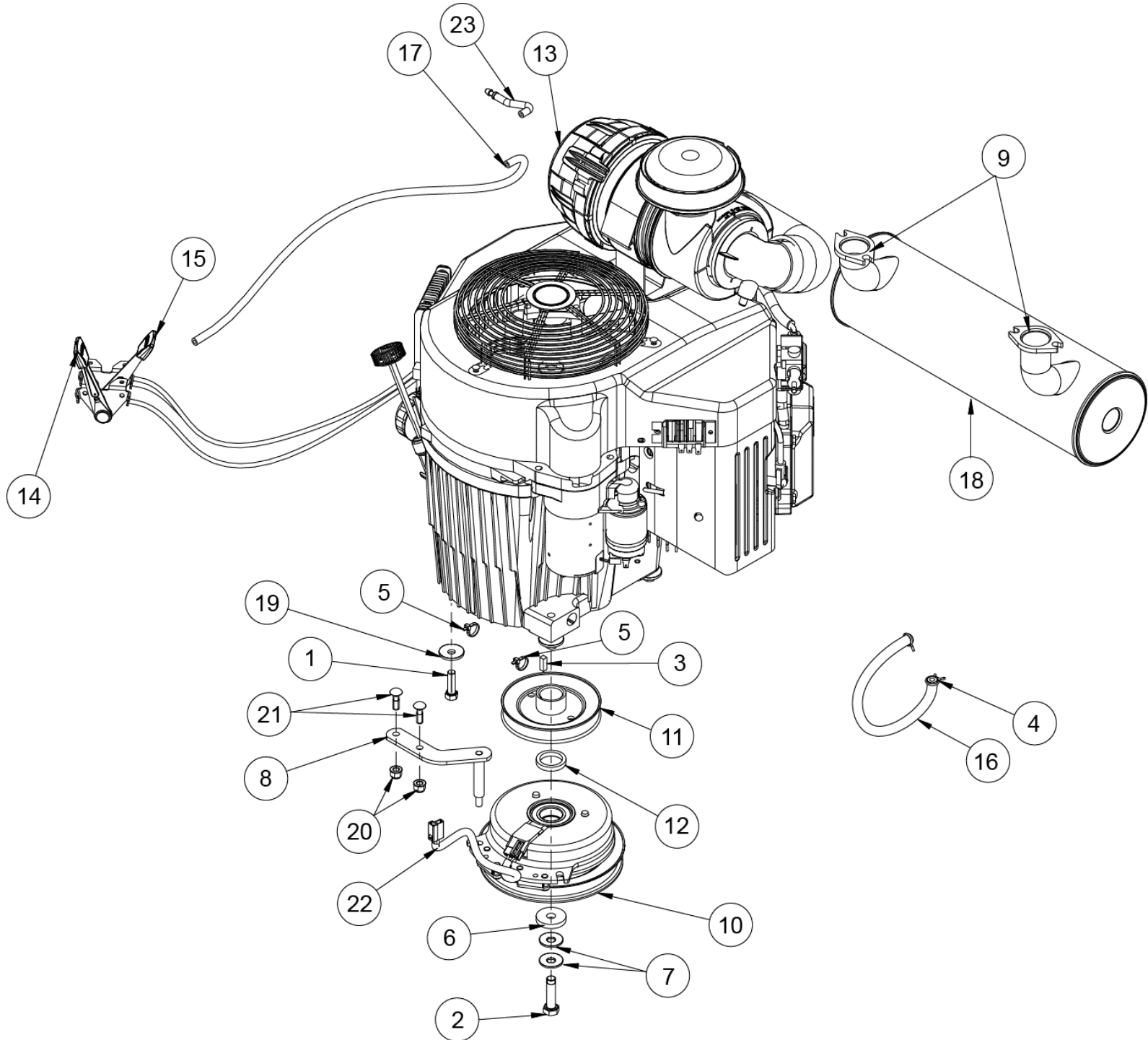
ITEM	PART NO.	DESCRIPTION
1	542125	IDLER, FLAT 175MM W/NEW SPACER & BEARING
2	B276-6303RS	BEARING 6303-2RS
3	B893.2-47	SNAP RING 47
4	543450	SPACER, IDLER

DECK IDLER, 150 MM



ITEM	PART NO.	DESCRIPTION
1	542138	IDLER, FLAT 150MM W/BRG & SNAP RING
2	B276-6303RS	BEARING 6303-2RS
3	B893.2-47	SNAP RING 47
4	543450	STAND-OFF, LG IDLER

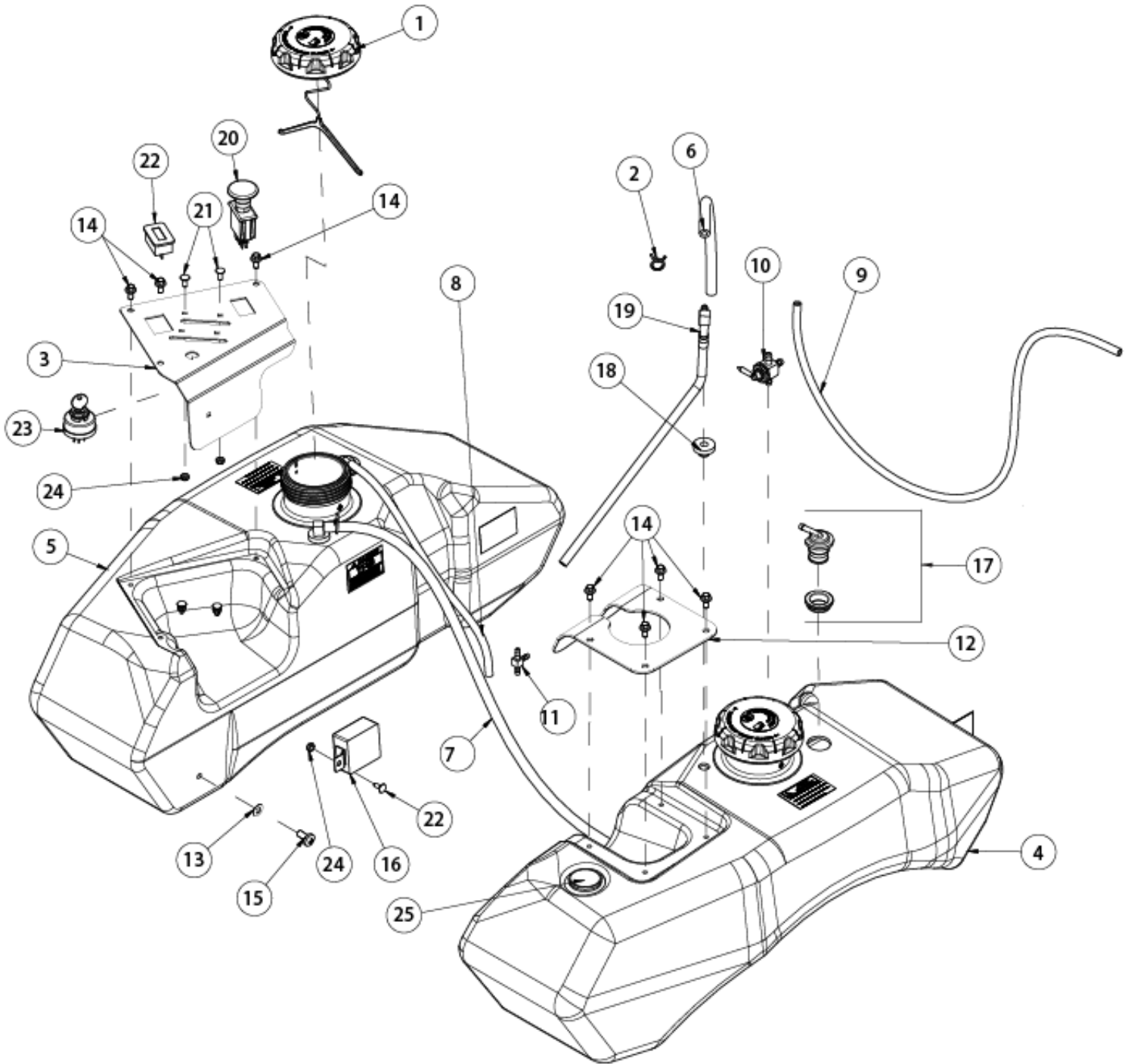
ENGINE ASSEMBLY FX1000



ENGINE ASSEMBLY FX1000

ITEM	PART NO.	DESCRIPTION
1	100293	3/8-16 X 1-1/4 HHCS
2	100533	7/16-20 X 1-3/4 HHCS
3	107258	1/4 X 1/4 X 3/4 MACH KEY
4	363098	CLAMP, FUEL LINE 1/4 ID
5	363222	PLASTIC TIE
6	423068	CLUTCH WASHER
7	423069	SPRING DISC. WASHER - 7/16
8	542183	WLD, CLUTCH ANCHOR
9	543640	MUFFLER GASKET - KAW921V
10	543288	CLUTCH, MS200 W/PIGTAIL
11	543411	SHEAVE, HYDRO DRIVE - 5400
12	543588	SPACER BUSHING, CLUTCH
13	FOR REFERENCE ONLY	ENGINE, KAWASAKI FX1000
14	543627	CABLE, THROTTLE 48"
15	543628	CABLE, CHOKE 44"
16	583470	HOSE, FUEL 1/4 ID X 13
17	623418	3/16" FUEL LINE DSL - 29"
18	683089	MUFFLER, KAWASAKI 999CC
19	753027	SPRING DISC WASHER
20	B6183-8	NUT, FLANGED NYLOC M8
21	B801-825	BOLT, CARRIAGE SN M8X25
22	543364	HARNESS, CLUTCH PIGTAIL
23	543514	HOSE, VENT PORT

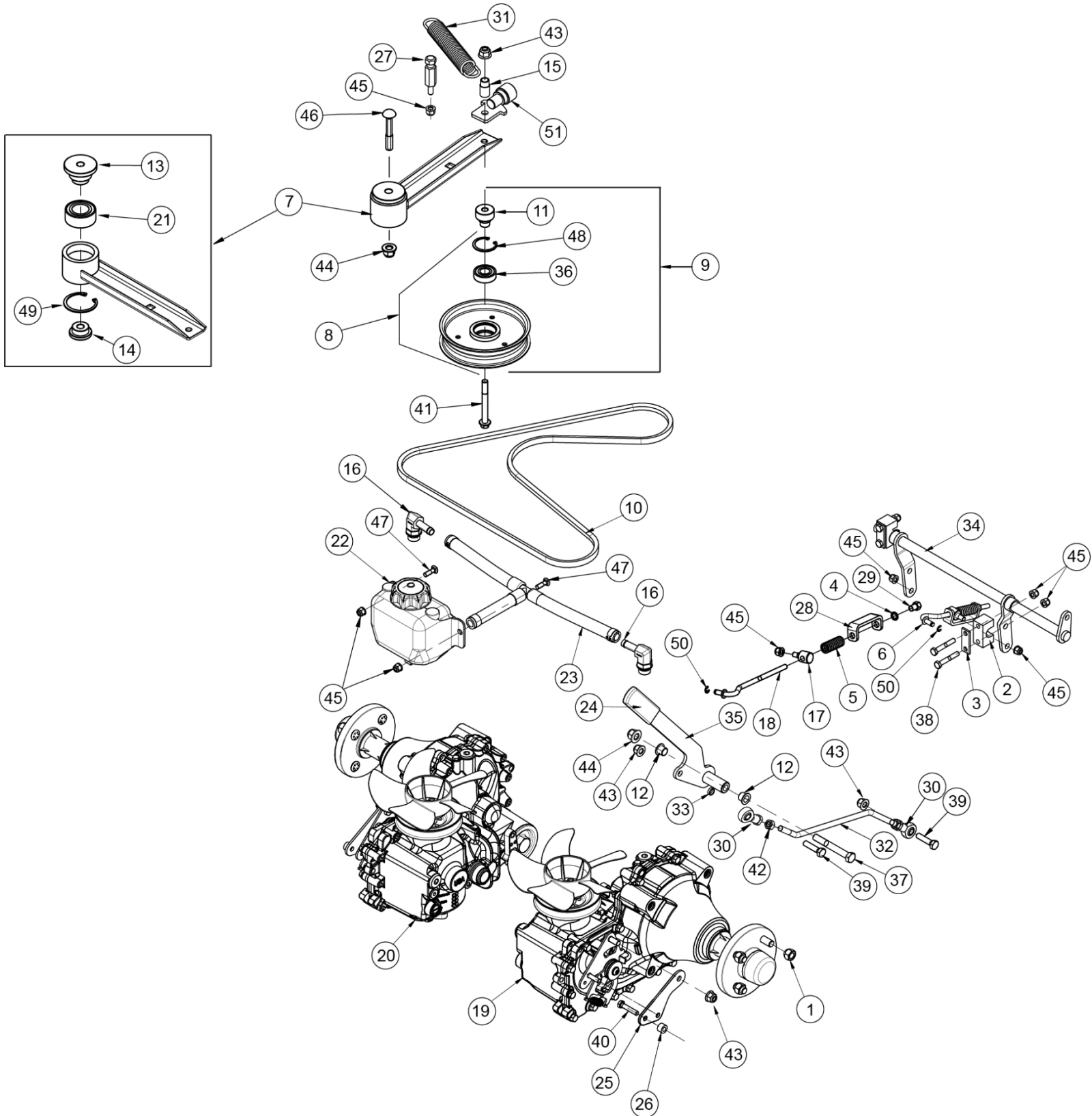
FUEL ASSEMBLY



FUEL ASSEMBLY

ITEM	PART NO.	DESCRIPTION
1	5204019	GAS CAP-EPA
2	363098	CLAMP, FUEL LINE 1/4 ID
3	542117	CONTROL PANEL W/DECAL
4	543375	ASM, FUEL TANK LH - WL
5	543376	ASM, FUEL TANK RH - WL
6	543323	HOSE, FUEL 1/4 ID X 14.5
7	543328	HOSE, FUEL 1/4 ID X 32.5
8	543361	HOSE, VENT 3/16 ID X 15
9	543362	HOSE, VENT 3/16 ID X 36
10	583050	FUEL VALVE
11	5204010	TEE, HOSE 3/16 ID
12	543277-1	CUP HOLDER, BLACK
13	B1972-A16	WASHER, SPRING DISC A16-1
14	B5787-612	SCREW, FLANGED HH M6 X 12
15	B818-816	SCREW, PAN HEAD PHILLIPS M8 X 16
16	543308	MODULE, SEAT DELAY
17	543283	ASM, FUEL VENT W/GROMMET
18	533125	VALVE GROMMET - VITON
19	543306	FITTING, 90° FUEL W/TUBE 10"
20	523031	PTO SWITCH
21	107527	BOLT, CARRIAGE #10-24 X 1/2
22	453417	METER, MS HOUR
23	5208070	ASM, IGNITION SWITCH
24	104252	#10-24 HEX NYLOC NUT
25	543278	FUEL GAUGE
NOT SHOWN	5204047	GROMMET, FUEL GAUGE

HYDRO ASSEMBLY



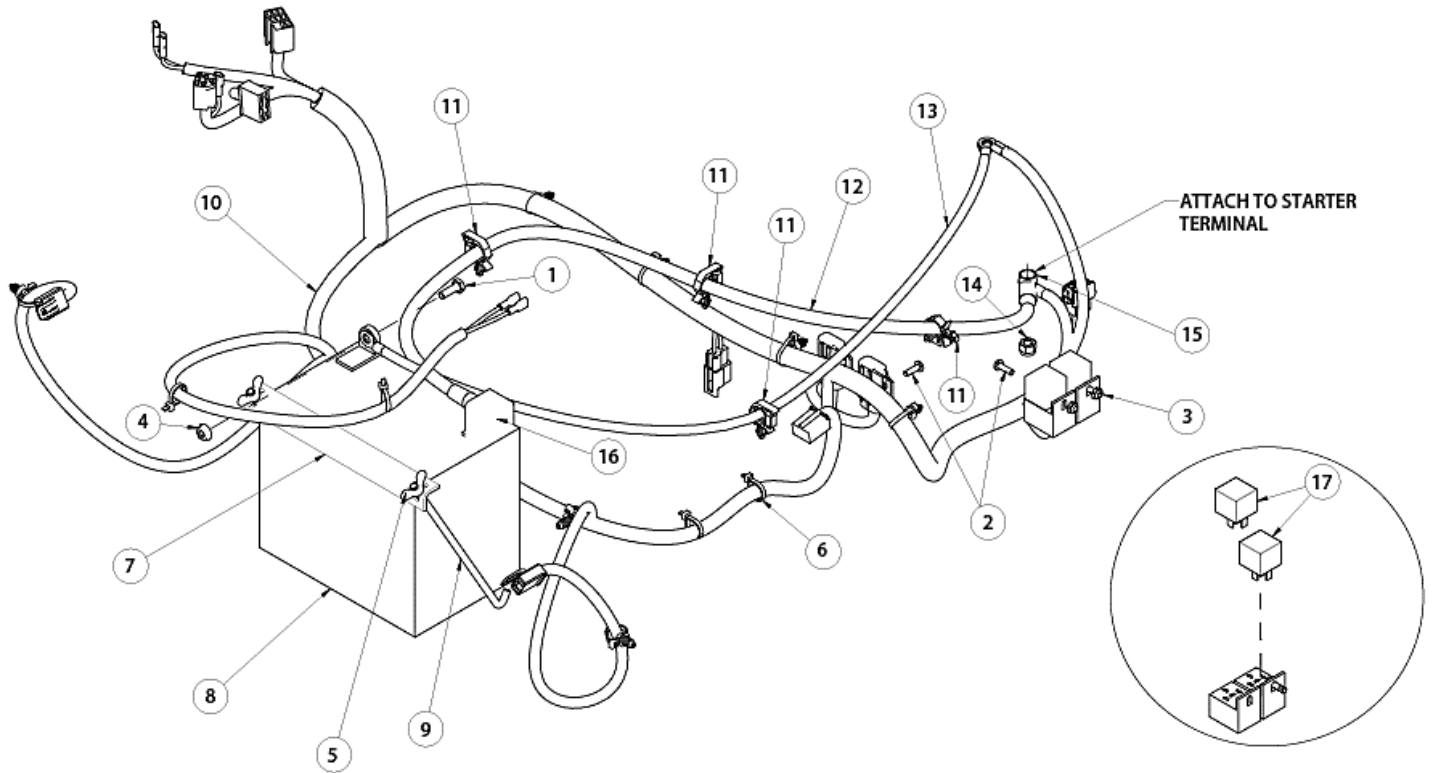
HYDRO ASSEMBLY

ITEM	PART NO.	DESCRIPTION
1	103023	1/2-20 X 60 T LUG NUT
2	353028	PIVOT BLOCK
3	353047	PIVOT BLOCK PLATE
4	363177	3/8 PUSH NUT
5	523024	SPRING, COMPRESSION
6	542094	ASM, BRAKE LINK 5400
7	542126	ASM, HYDRO IDLER 5400
8	542138	IDLER, FLAT 150MM W/BRG & SNAP RING
9	542148	ASM, 150MM FLAT IDLER W/STEP SPACER
10	543005	BELT, HYDRO
11	543098	SPACER, IDLER
12	543154	BUSHING, MOTION CONTROL
13	543162	SPACER, STEPPED
14	543164	SPACER, STEPPED
15	543169	SPACER
16	543199	ADAPTER, HYDRAULIC 4601-08-10
17	543201	SWIVEL, BRAKE
18	543205	LINK, BRAKE 5400
19	543208	HYDRO, ZT 5400 LH
20	543209	HYDRO, ZT 5400 RH
21	543236	BEARING, 30BD40DF2
22	543285	TANK, HYDRO OVERFLOW 1 QT
23	543287	ASM, HYDRO VENT 5400
24	543300	GRIP, PARK BRAKE
25	543315	EXTENSION, CONTROL ARM
26	543316	SPACER
27	543374	ANCHOR, SPRING 1.46
28	543386	RETAINER, BRAKE SPRING
29	543387	NUT, BRAKE SPRING
30	543430	END, SPHERICAL ROD M10
31	543520	EXTENSION SPRING
32	543576	ROD, LINKAGE BRAKE
33	4801302	SPACER
34	542099-1	WLD, CROSS SHAFT BRAKE, BLACK
35	542179-1	WLD, BRAKE LEVER, BLK
36	B276-6303RS	BEARING 6303-2RS
37	B5782-1290	HHCS, M12 X 90MM
38	B5782-850	SCREW, HH M8X50
39	B5783-1040	BOLT M10X40
40	B5783-840	SCREW, HH TAP M8 X 40
41	B5787-1090	SCREW, HH FLANGE M10 X 90
42	B6170-10	NUT M10X1

HYDRO ASSEMBLY

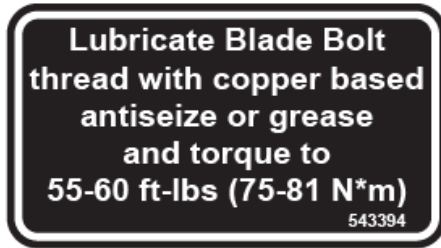
ITEM	PART NO.	DESCRIPTION
43	B6183-10	NUT, NYLOC FLANGE M10
44	B6183-12	NUT, NYLOC FLANGE M12
45	B6183-8	NUT, FLANGED NYLOC M8
46	B801-1275	BOLT, CARRIAGE SN M12 X 75
47	B801-825	BOLT, CARRIAGE SN M8X25
48	B893.2-47	SNAP RING 47
49	B893.2-56	RING, SNAP 56mm
50	B896-6	E-CLIP 6

ELECTRICAL GROUP



ITEM	PART NO.	DESCRIPTION
1	100252	1/4-20 X 3/4 HHCS
2	101039	#10-24 X 5/8 MACH SCREW
3	104252	#10-24 HEX NYLOC NUT
4	109000	1/4-20 WHIZLOCK NUT
5	109012	1/4 WING NUT
6	363222	PLASTIC TIE
7	453419-1	BATTERY HOLD DOWN - BLACK
8	FOR REFERENCE ONLY	BATTERY 12V
9	423172	BATTERY HOLD DOWN ROD - PLATED
10	543267	HARNESS, WIRING
11	543309	CLIP, ROSEBUD LOOM 13MM
12	543329	ASM, BATTERY CABLE POSITIVE
13	543330	CABLE, BATTERY NEGATIVE
14	B6182-8	NUT, NYLOC M8
15	423158	TERMINAL INSULATOR CAP
16	343134	BATTERY BOOT
17	5208042	12V RELAY (USA)

DECAL GROUP



543394



543405



543408



8324



543391



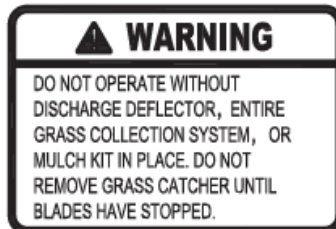
543433



8303



543392



8307



8327



8304



363023



8008



543396



8318



543401

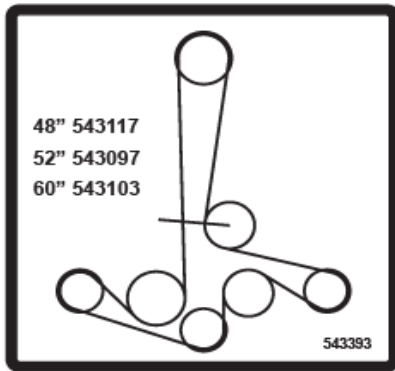
DECAL GROUP



543397



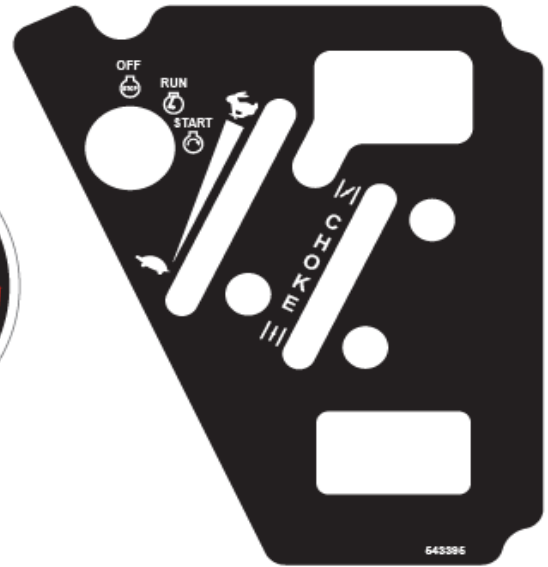
543380



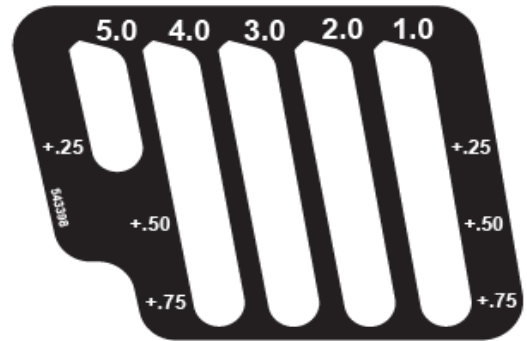
543393



633153



543395



543398

WORLDLAWN

543671

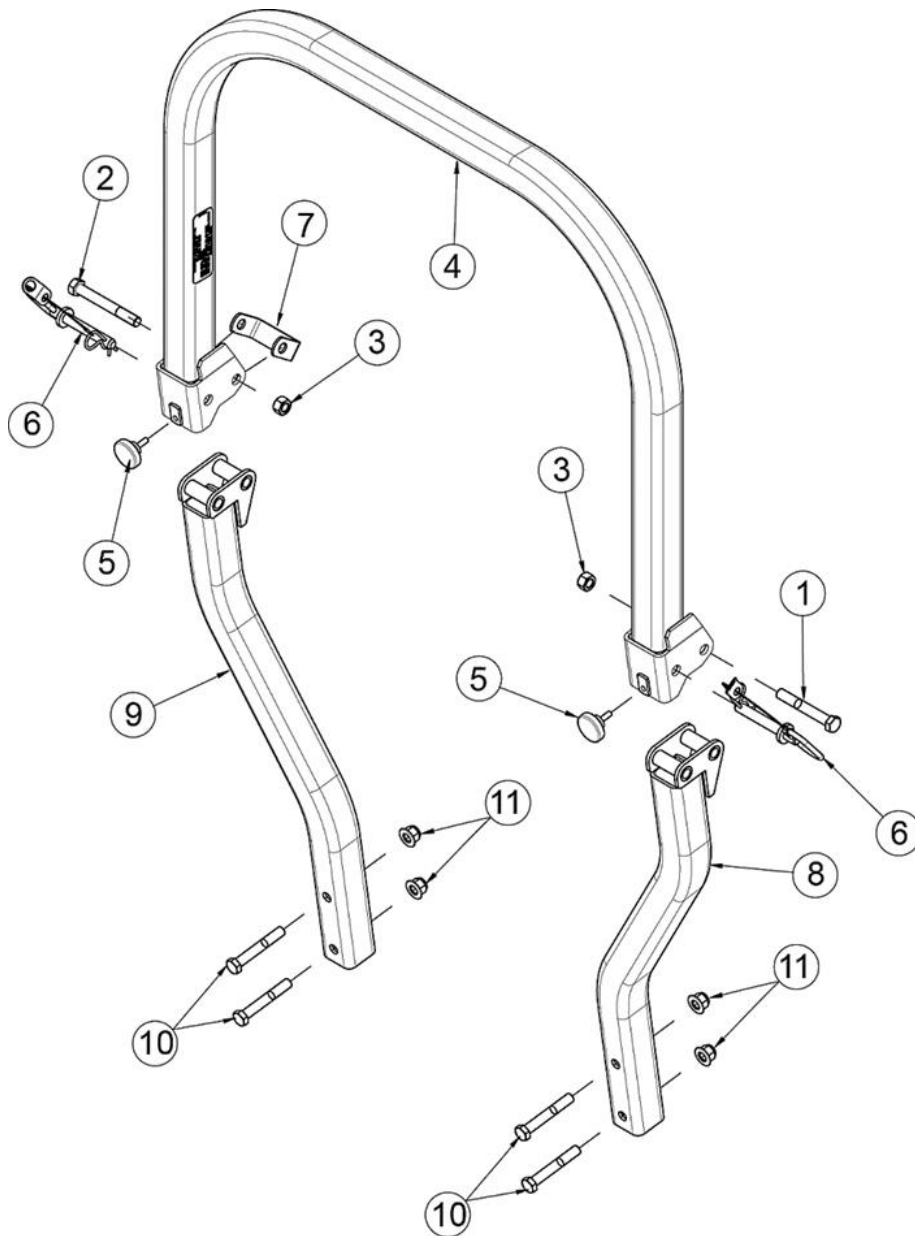
KING COBRA
MAX

543663

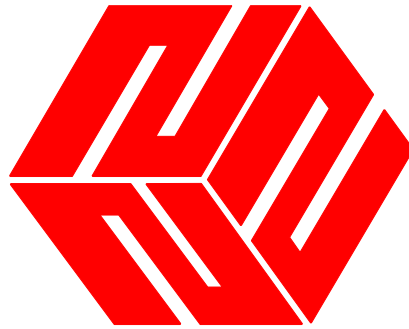
WORLDLAWN

543667

ROPS ASSEMBLY



ITEM	PART NO.	DESCRIPTION
1	100334	1/2-13 X 3-1/2 HHCS
2	100335	1/2-13 X 4 HHCS
3	104259	1/2-13 HEX NYLOC NUT
4	542146	ASM, UPPER ROPS W/DECALS
5	543261	KNOB, ROPS
6	543262	PIN, ROPS W/LANYARD
7	543443	ROPS STOP
8	542140-1	WLD, ROPS POST LH
9	542141-1	WLD, ROPS POST RH
10	B5782-1280	SCREW, HH M12 X 80
11	B6183-12	NUT, NYLOC FLANGE M12



WORLDLAWN®