



WORLDLAWN[®]
POWER EQUIPMENT



WYDB52FX691V34P
WYDB60FX730V34P


PARTS MANUAL



WORLDLAWN[®]
POWER EQUIPMENT

WORLDLAWN.COM

 **401 COMMERCE STREET**
BEATRICE, NE 68310

 **800-267-4255**

 **402-223-4103**

CONTENTS

AVAILABLE ACCESSORIES	6
52" – 60" CASTER ASSEMBLY	7
FRAME ASSEMBLY	8
MOTION CONTROL ASSEMBLY	11
NEW MOTION CONTROL ASSEMBLY	13
SEAT ASSEMBLY	15
52" – 60" REAR TIRE ASSEMBLY	17
DECK LIFT ASSEMBLY	18
52" DECK ASSEMBLY	20
60" DECK ASSEMBLY	22
SPINDLE HOUSING ASSEMBLY	24
DECK IDLER ASSEMBLY	25
DECK IDLER	27
BRAKE CONTROL GROUP	28
ENGINE ASSEMBLY FX691/FX730	30
FUEL ASSEMBLY	32
HYDRO ASSEMBLY	34
ROPS ASSEMBLY	36
BATTERY GROUP	37
WIRING HARNESS-KAWASAKI FX	39
DECAL GROUP	40

AVAILABLE ACCESSORIES

FITS MODELS:

WYDB52FX691V34P

MULCH KIT:

451004

52" MULCH KIT

GRASS CATCHER ASSEMBLY:

5101305

52" GRASS CATCHER W/WEIGHTS

632074

52" BLOWER

542119

52" COLLECTION TUBE

FITS MODELS:

WYDB60FX730V34P

MULCH KIT:

631027

60" MULCH KIT

GRASS CATCHER ASSEMBLY:

632086

60" GRASS CATCHER W/WEIGHTS

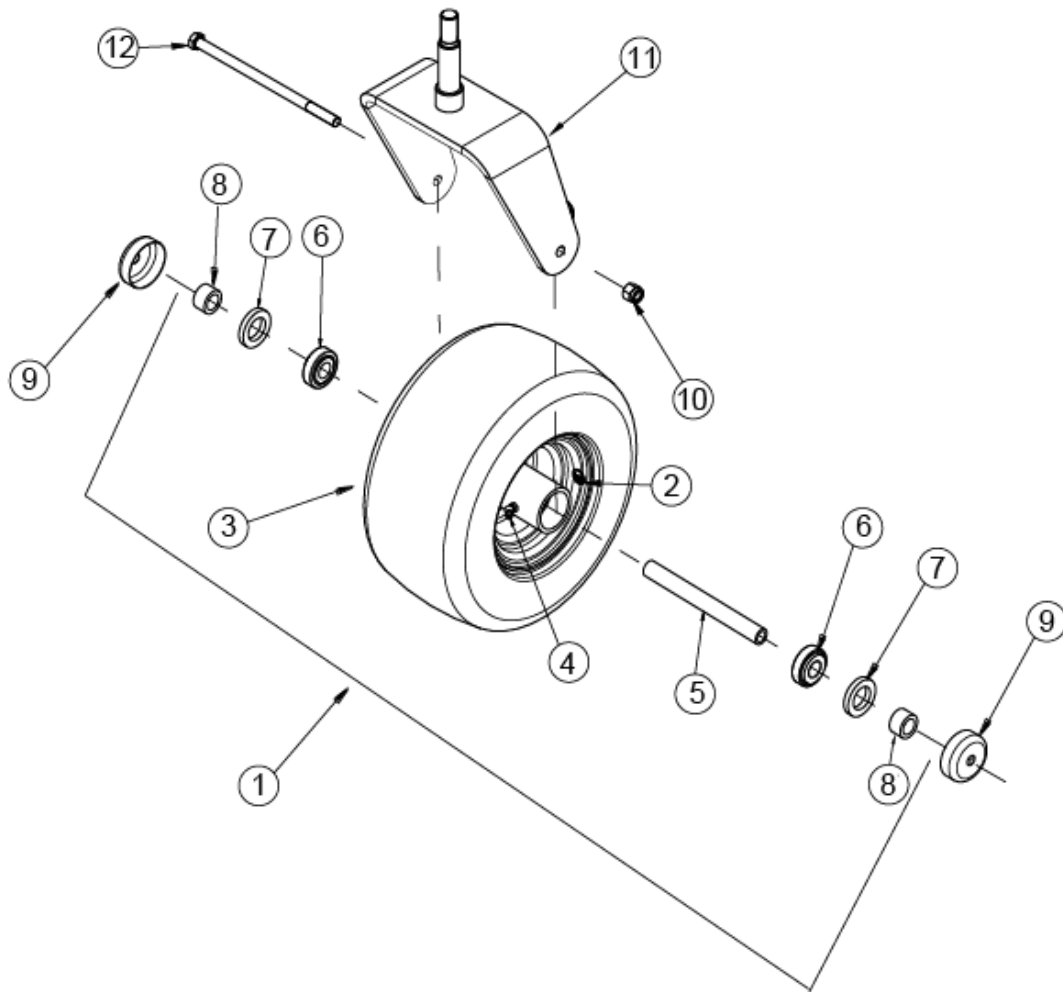
632081

60" BLOWER

542120

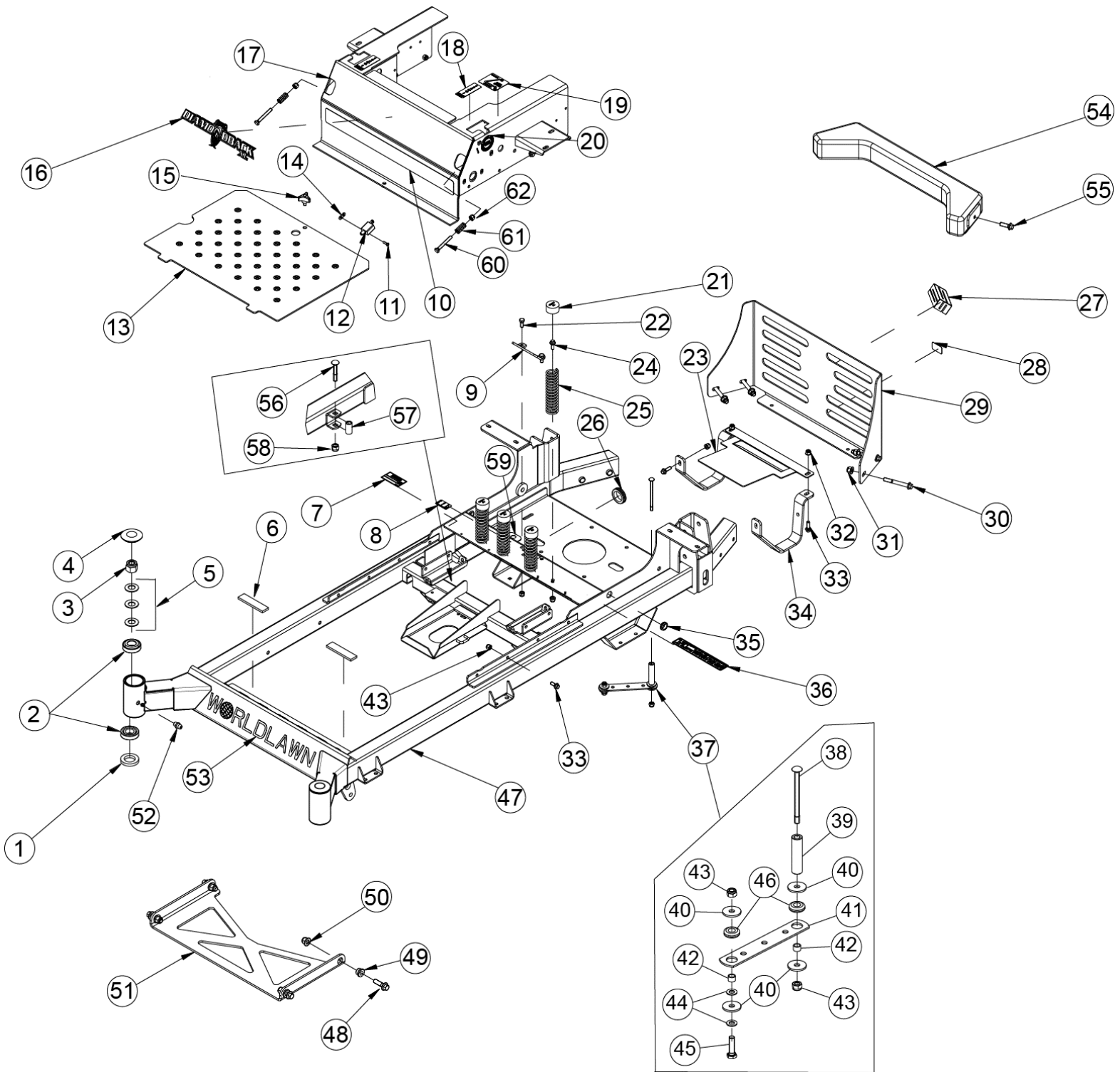
60" COLLECTION TUBE

52" – 60" CASTER ASSEMBLY



ITEM	PART NO.	DESCRIPTION
1	632041	ASM, BLK WHEEL COMPLETE W/BEARINGS
2	453389	DECAL, FRONT TIRE PRESSURE
3	542007	TIRE, 13 X 6.5-6 PNEUMATIC
4	111009	ZERK, 45° 1/4-28
5	543230	TUBE, AXLE
6	5202037	BEARING, TAPERED ROLLER
7	5202036	SEAL, LIP
8	5202035	BUSHING .78
	633295	BUSHING .53
9	5202026	CAP, DUST
10	B6182-12	NUT, NYLOC M12
11	542011-2	WLD, CASTER FORK 6.5, RED
12	543189	BOLT, M12 X 225 MM

FRAME ASSEMBLY



FRAME ASSEMBLY

ITEM	PART NO.	DESCRIPTION
1	B13871-B32528	SEAL (F) 32 X 52 X 8
2	B297-30205	BEARING 30205
3	B6182-20	NUT, NYLOC M20
4	5202009	DUST CAP
5	B1972-A40	WASHER, SPRING DISC A40
6	363201	FUEL TANK PAD
7	FOR REFERENCE ONLY	DECAL, SERIAL PLATE WL
8	543433	DECAL, FUEL VALVE
9	633120	RAMP, SEAT LATCH
10	543401	DECAL, OPERATOR SAFETY
11	B823-516	SCREW M5 X 16
12	523034	BRAKE SWITCH
13	633011-1	PLATE, FOOT, BLK
14	5208103	NUT RACK
15	633239	KNOB, 3-PRONGED W/STUD
16	633230	DECAL, DIAMONDBACK
17	632055	ASM, SEAT CONSOLE W/DECALS
18	8324	DECAL, MOTION CONTROL
19	543391	DECAL, PARK BRAKE
20	543380	DECAL, BEATRICE
21	5203045	COVER
22	B5783-820	SCREW, HH TAP M8 X 20
23	633235-1	SHIELD, MUFFLER HEAT
24	B5787-820	SCREW, HH FLANGE M8 X 20
25	5002022	SPRING
26	453382	GROMMET, RUBBER 1-5/16" I.D.
27	543383	DECAL, WORL DLAWN COLOR
28	8318	DECAL, MUFFLER, TEMP
29	632057	ASM, REAR GUARD W/DECAL
30	B5787-1080	SCREW, FLANGE HEAD M10 X 80
31	B6183-10	NUT, NYLOC FLANGE M10
32	B6183-8	NUT, FLANGED NYLOC M8
33	B5787-825	SCREW, HH FLANGE M8 X 25
34	633234-1	STRAP, MUFFLER GUARD
35	5002030	RUBBER BUSHING
36	543396	DECAL, HYDRO RESERVOIR
37	632036	ASM, CLUTCH STOP
38	B801-8110	BOLT, CARRIAGE SN M8 X 110
39	633118	SPACER, TUBE
40	5203408	WASHER

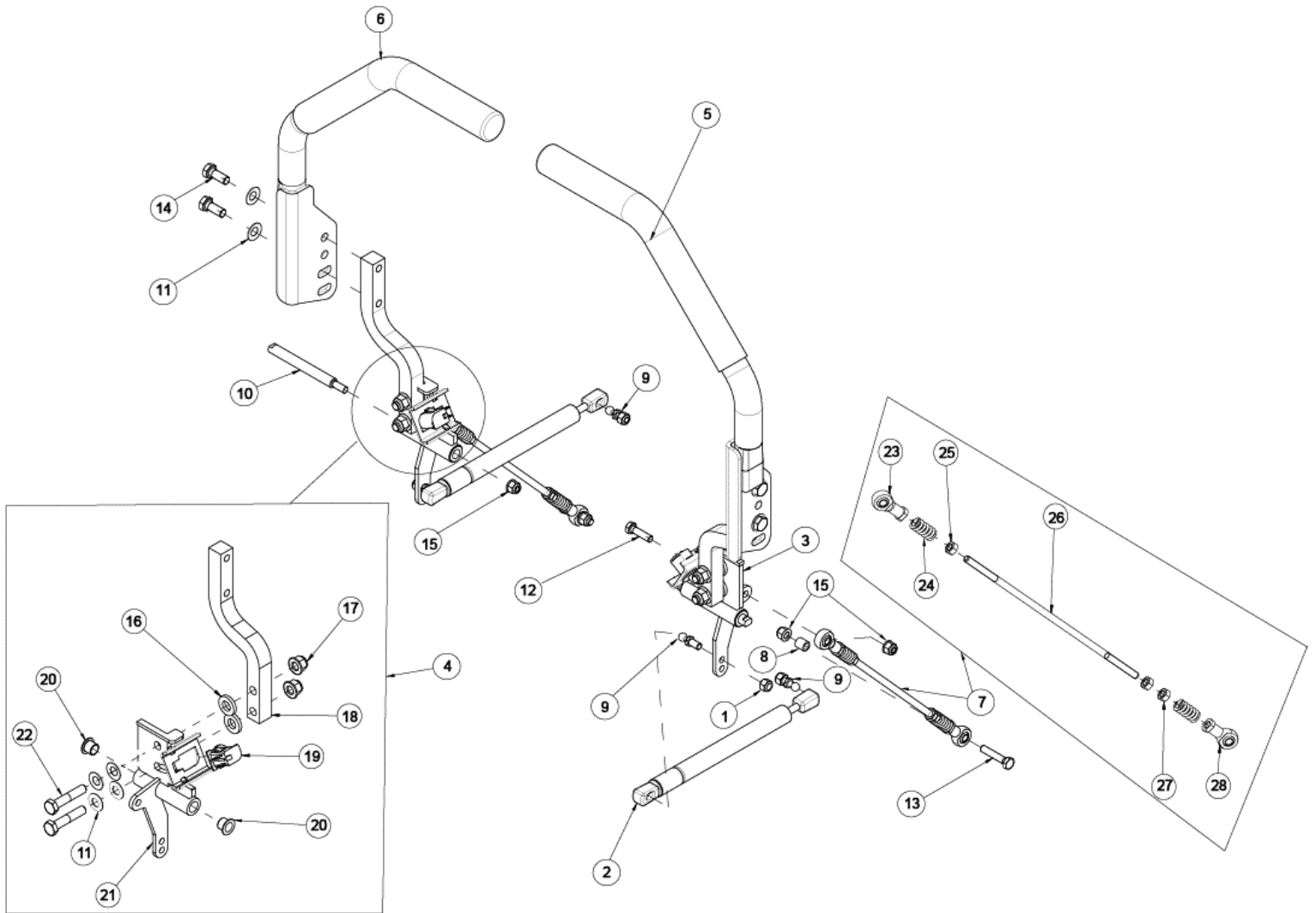
FRAME ASSEMBLY

ITEM	PART NO.	DESCRIPTION
41	5203411	CLUTCH STOP STRAP
42	5203409	SPACER/BUSHING
43	B6182-8	NUT, NYLOC M8
44	B97.1-8	WASHER 8
45	B5783-835	BOLT, M8 X 35
46	5203410	RUBBER RING 17
47	442017	ASM, FRAME BASIC
48	B5787-1240	SCREW, HH FLANGED M12 X 40
49	453288	BUSHING
50	B6183-12	NUT, NYLOC FLANGE M12
51	633010-2	FRONT STRUT PLATE – RED
52	B1152-6	GREASE FITTING M6
53	463444	DECAL, WORLDLAWN LG W/GRN
54	633258-1	WEIGHT, REAR – STANDARD ON 60”
55	B5787-1030	SCREW, HH FLANGE M10x30 – STANDARD ON 60”
56* ¹	B801-1055	BOLT, CARRIAGE SN M10 X 55
57* ¹	393070	DRIVE IDLER BUSHING
58* ¹	B6182-10	NUT, NYLOC M10
59* ²	653106	SPACER
60	B5783-860	HEX HD BOLT M8X60
61	5205003	SPRING, COMPRESSION
62	B6183-8	NUT, FLANGED NYLOC M8

*¹ NEW SPRING ANCHOR CONSISTING OF (1) B801-1055; (1) 393070 & (1) B6182-10 USED ON UNITS WITH SERIAL NUMBER 6263 - TBD

*² SPACER USED ON UNITS WITH SERIAL NUMBER 6263-TBD

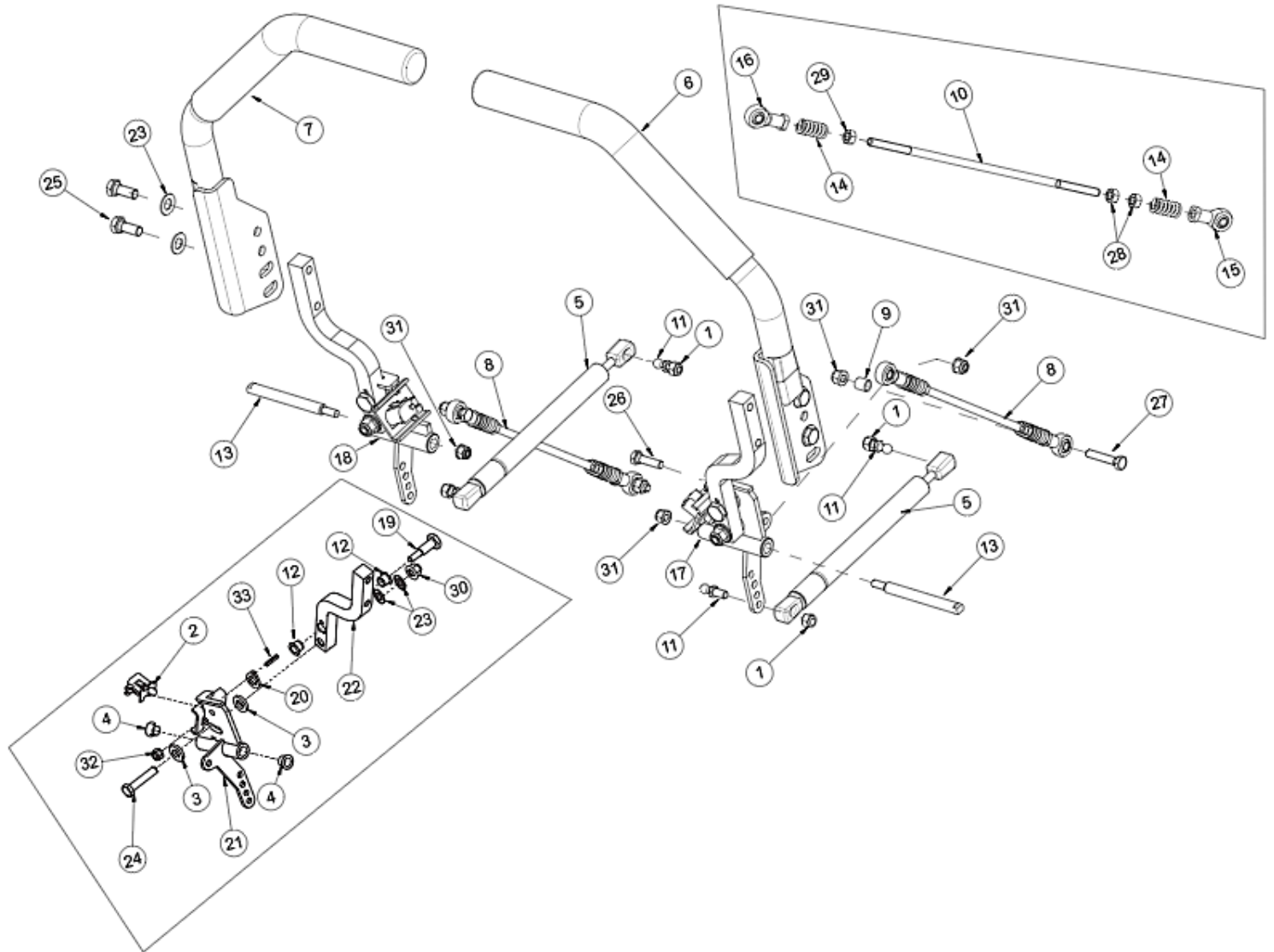
MOTION CONTROL ASSEMBLY



MOTION CONTROL ASSEMBLY

ITEM	PART NO	DESCRIPTION
1	104256	5/16-18 HEX NYLOC NUT
2	583415	DAMPENER/CONTROL
3	632009	ASM, MOTION CONTROL LH
4	632010	ASM, MOTION CONTROL RH
5	632028	ASM, DRIVE LEVER LH W/GRIP
6	632029	ASM, DRIVE LEVER RH W/GRIP
	543156	GRIP, MOTION CONTROL LEVER
7	632030	ASM, HYDRO LINKAGE
8	633042	SPACER
9	823221	10MM BALL STUD
10	5002111	OPERATING SHAFT
11	B1972-A22.5-2	WASHER, SPRING DISC A22.5 OD
12	B5783-830	SCREW, HH TAP M8x30
13	B5783-840	SCREW, HH TAP M8 X 40
14	B5783-1025	SCREW, HH TAP M10x25
15	B6183-8	NUT, FLANGED NYLOC M8
16	543152	WASHER, PLASTIC
17	B6183-10	NUT, NYLOC FLANGE M10
18	633025	MOTION CONTROL ARM
19	353048	SEAT SWITCH
20	543154	BUSHING, MOTION CONTROL
21	632011	WLD, MOTION CONTROL, LH
	632012	WLD, MOTION CONTROL, RH
22	B5782-1050	BOLT 10X50
23	5205017	ROD END, SPHERICAL M8 LH SILBJK8S
24	5205003	SPRING, COMPRESSION
25	B6171-8L	NUT M8X1 (LH)
26	633088	ROD
27	B6171-8	NUT M8
28	5205016	ROD END, SPHERICAL M8 RH SIBJK8S

NEW MOTION CONTROL ASSEMBLY



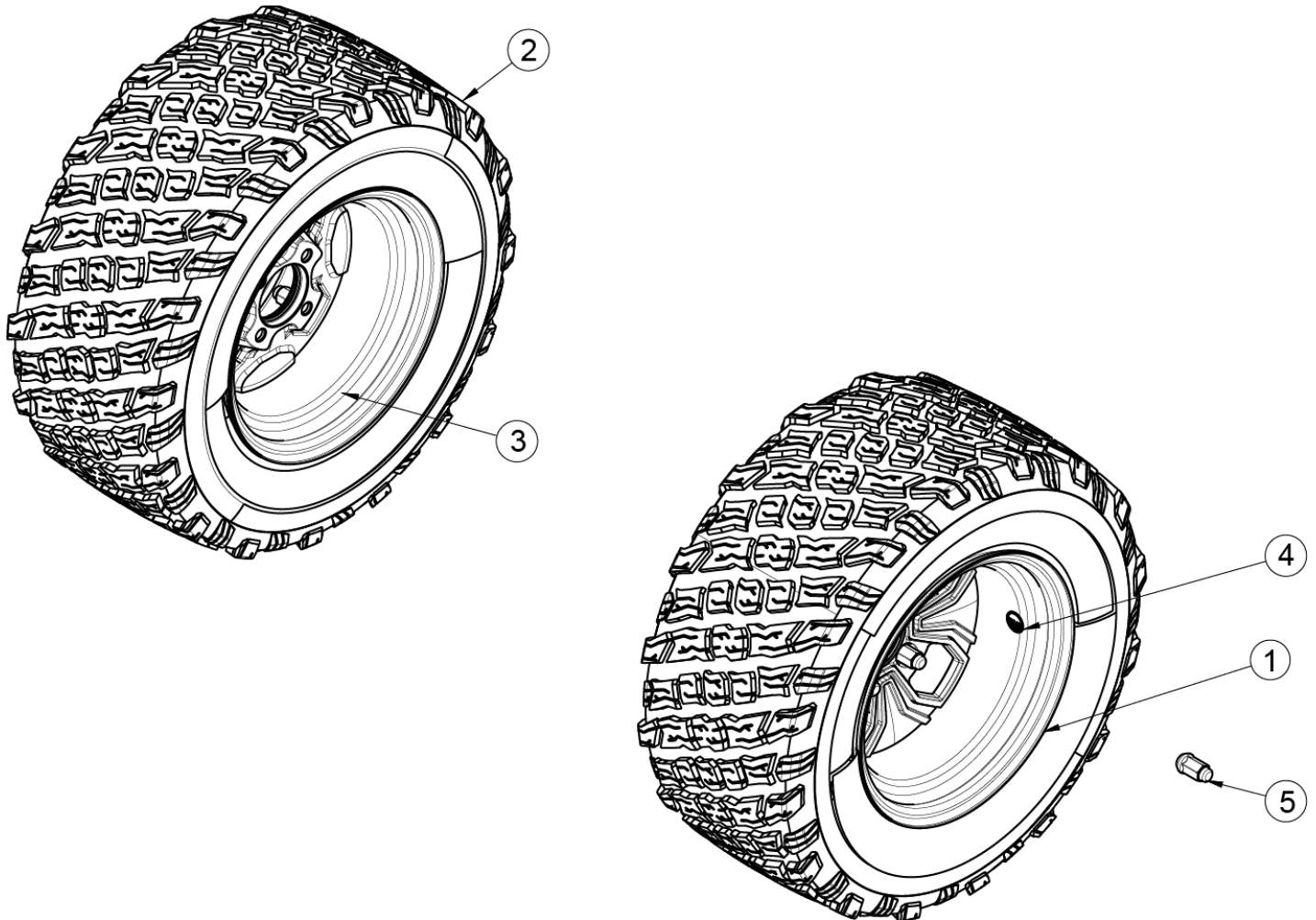
NEW MOTION CONTROL ASSEMBLY

ITEM	PART NO.	DESCRIPTION
1	104256	5/16-18 HEX NYLOC NUT
2	353048	SEAT SWITCH
3	543152	WASHER, PLASTIC
4	543154	BUSHING, MOTION CONTROL
5	583415	DAMPER/CONTROL
6	632028	ASM, DRIVE LEVER LH W/GRIP
7	632029	ASM, DRIVE LEVER RH W/GRIP
8	632030	ASM, HYDRO LINKAGE
9	633042	SPACER
10	633088	ROD
11	823221	10MM BALL STUD
12	3224020	BUSHING, 12X14X12
13	5002111	PIVOT SHAFT
14	5205003	SPRING, COMPRESSION
15	5205016	ROD END, SPHERICAL M8 RH SIBJK8S
16	5205017	ROD END, SPHERICAL M8 LH SILBJK8S
17	632009G	ASM, MOTION CONTROL LH
18	632010G	ASM, MOTION CONTROL RH
19	632011-3	BOLT, PIVOT
20	632011-4	RING, LOCK
21	632011G	WLD, MOTION CONTROL LH
	632012G	WLD, MOTION CONTROL RH
22	633025G	ARM, MOTION CONTROL
23	B1972-A22.5-2	WASHER, SPRING DISC A22.5 OD
24	B5782-1050	BOLT 10X50
25	B5783-1025	SCREW, HH TAP M10x25
26	B5783-830	SCREW, HH TAP M8x30
27	B5783-840	SCREW, HH TAP M8 X 40
28	B6171-8	Nut M8
29	B6171-8L	Nut M8x1 (LH)
30	B6183-10	NUT, NYLOC FLANGE M10
31	B6183-8	NUT, FLANGED NYLOC M8
32	B6187.1-8	NUT, M8 LOCKING FLG
33	B879.1-522	ROLLPIN, 5 X 22

SEAT ASSEMBLY

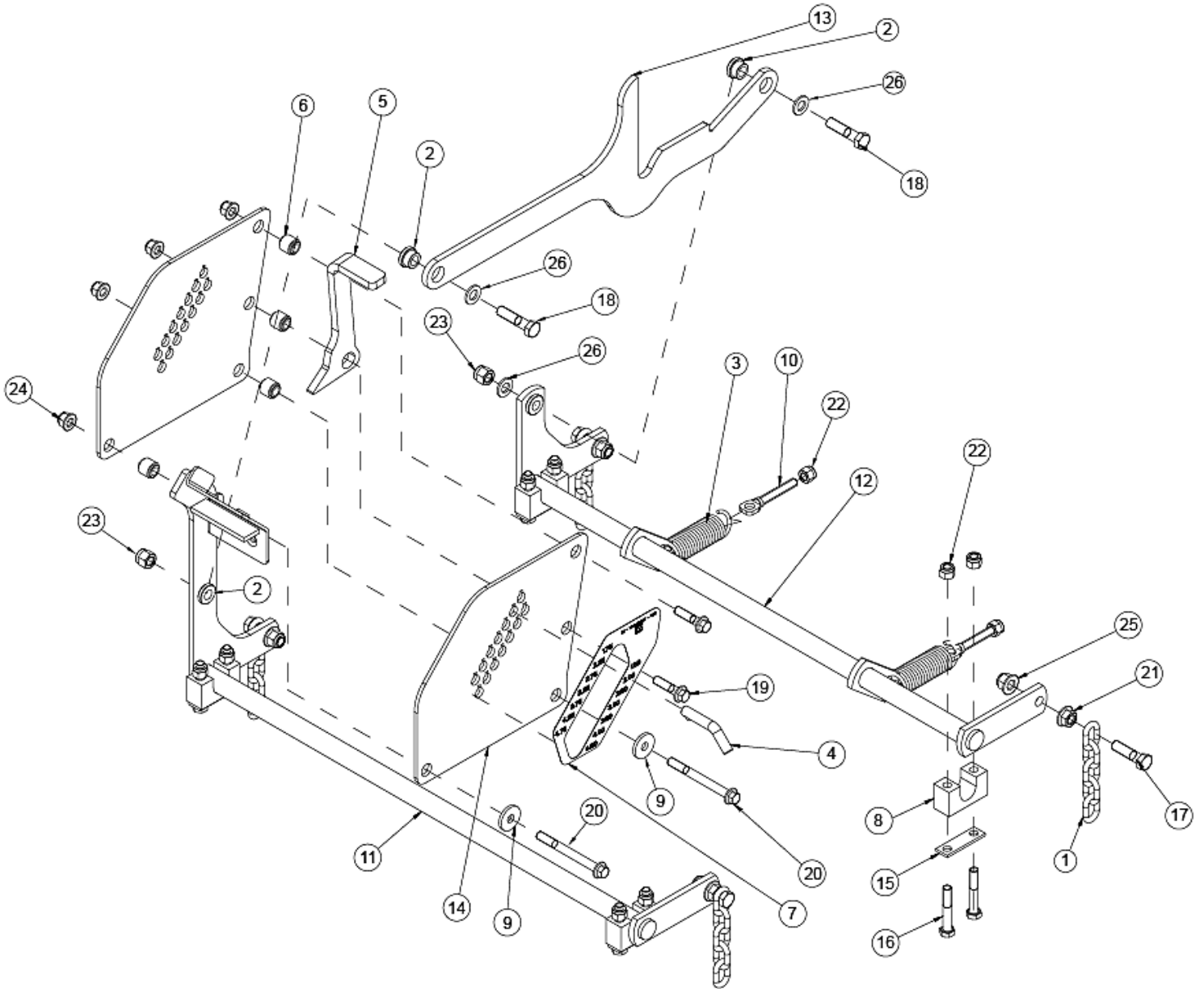
ITEM	PART NO.	DESCRIPTION
1	633356	SEAT 1110, FULL SUP MB
2	104253	5/16-24 UNF NYLOC NUT
3	104256	5/16-18 HEX NYLOC NUT
4	105258	5/16 STD FLAT WASHER
5	363165	#3 ISSCO HAIRPIN COTTER (#2)
6	543397	DECAL, BATTERY WARNING
7	623239	BUMPER
8	632131	WLD, SEAT LATCH
9	633050	STRAP, BRAKE LEVER
10	633111	ROD, SEAT
11	633370	STOP, SEAT LATCH
12	633374	ROD, SEAT
13	B5782-10100	BOLT M10X100
14	B5787-616	SCREW, HH FLANGE M6X16
15	B5787-825	SCREW, HH FLANGE M8x25
16	B6182-10	NUT, NYLOC M10
17	B6182-8	NUT, NYLOC M8
18	B97.1-10	WASHER, FLAT M10
19	B97.1-6	WASHER 6
20	S262008	RETURN SPRING
21	XSZ56-1-17	HAIR PIN

52" – 60" REAR TIRE ASSEMBLY



	PART NO.	DESCRIPTION
1	632143	ASM, ALFE WHEEL BLACK
2	633358	TIRE, 23 X 10.5 X 12 K3012
3	633375	WHEEL, Fe-Al 12 X 8.5
4	453390	DECAL, REAR TIRE PRESSURE
5	103036	LUG NUT, CAPPED 1/2-20 [CHROME]

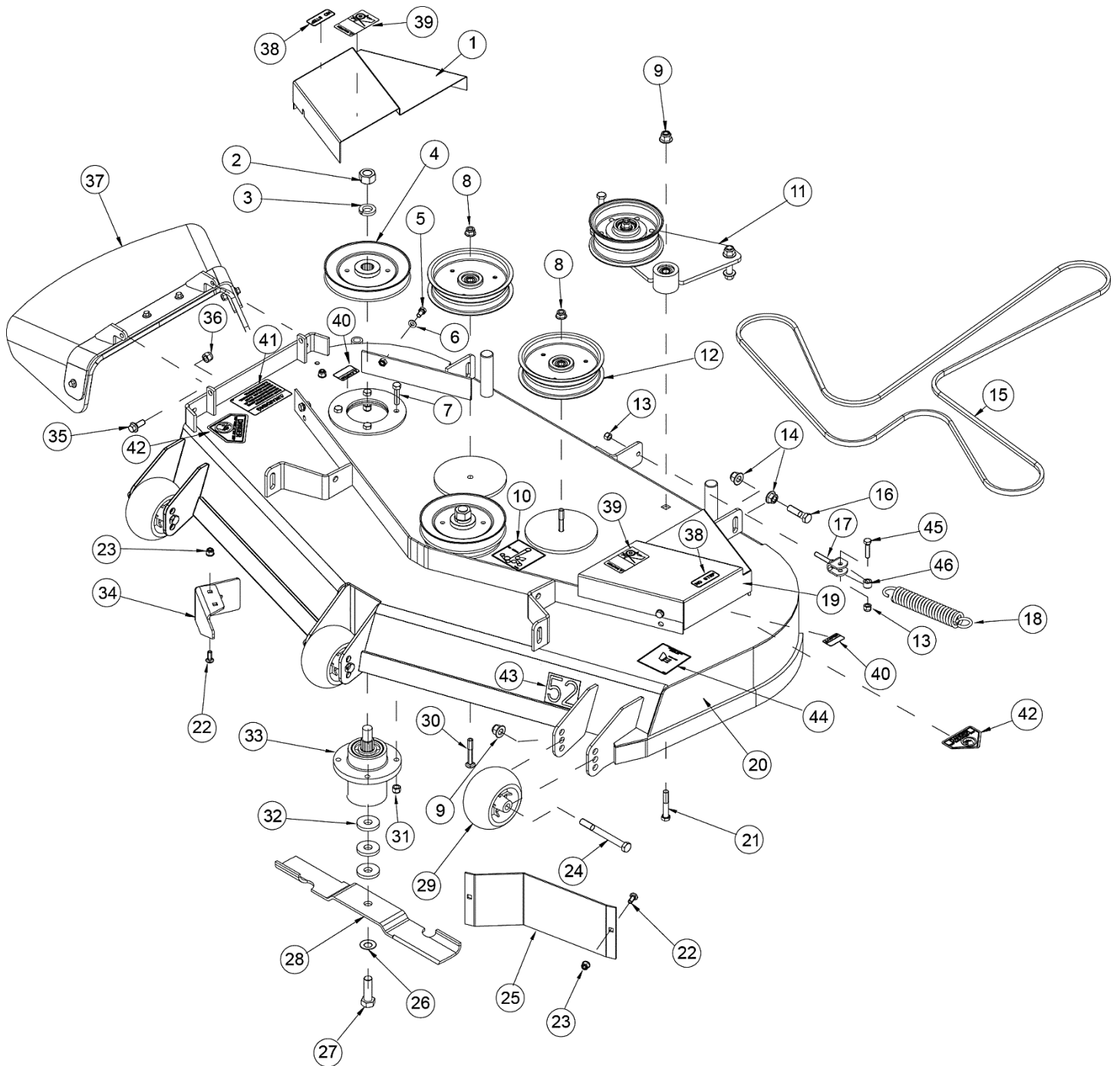
DECK LIFT ASSEMBLY



DECK LIFT ASSEMBLY

ITEM	PART NO	DESCRIPTION
1	423359	FRONT CHAIN (5 LINKS)
2	453288	BUSHING
3	523327	FLOATING IDLER SPRING
4	543207	PIN, HOC
5	633031	LATCH, TRANSPORT
6	633032	SPACER, HOC
7	633106	DECAL, DECK HEIGHT
8	633119	BLOCK, 25MM PIVOT
9	5201083	SPACER
10	2802083B	CONNECTING ROD
11	632004-1	WLD, FT CROSS SHAFT – BLK
12	632005-1	WLD, REAR CROSS SHAFT – BLK
13	633027-1	DECK LIFT LINK – BLACK
14	633028-1	PLATE, HOC – BLACK
15	633220-1	PLATE, 25MM PIVOT BLOCK
16	B5782-1060	BOLT 10X60
17	B5783-1245	SCREW, HH TAP M12 X 45
18	B5782-1250	SCREW, HH CAP M12 X 50
19	B5787-1040	SCREW, HH FLANGE M10X40
20	B5787-10100	SCREW, HH FLANGED M10 X 100
21	B6177-12	NUT, FLANGED M12
22	B6182-10	NUT, NYLOC M10
23	B6182-12	NUT, NYLOC M12
24	B6183-10	NUT, NYLOC FLANGE M10
25	B6183-12	NUT, NYLOC FLANGE M12
26	B97.1-12	WASHER 12

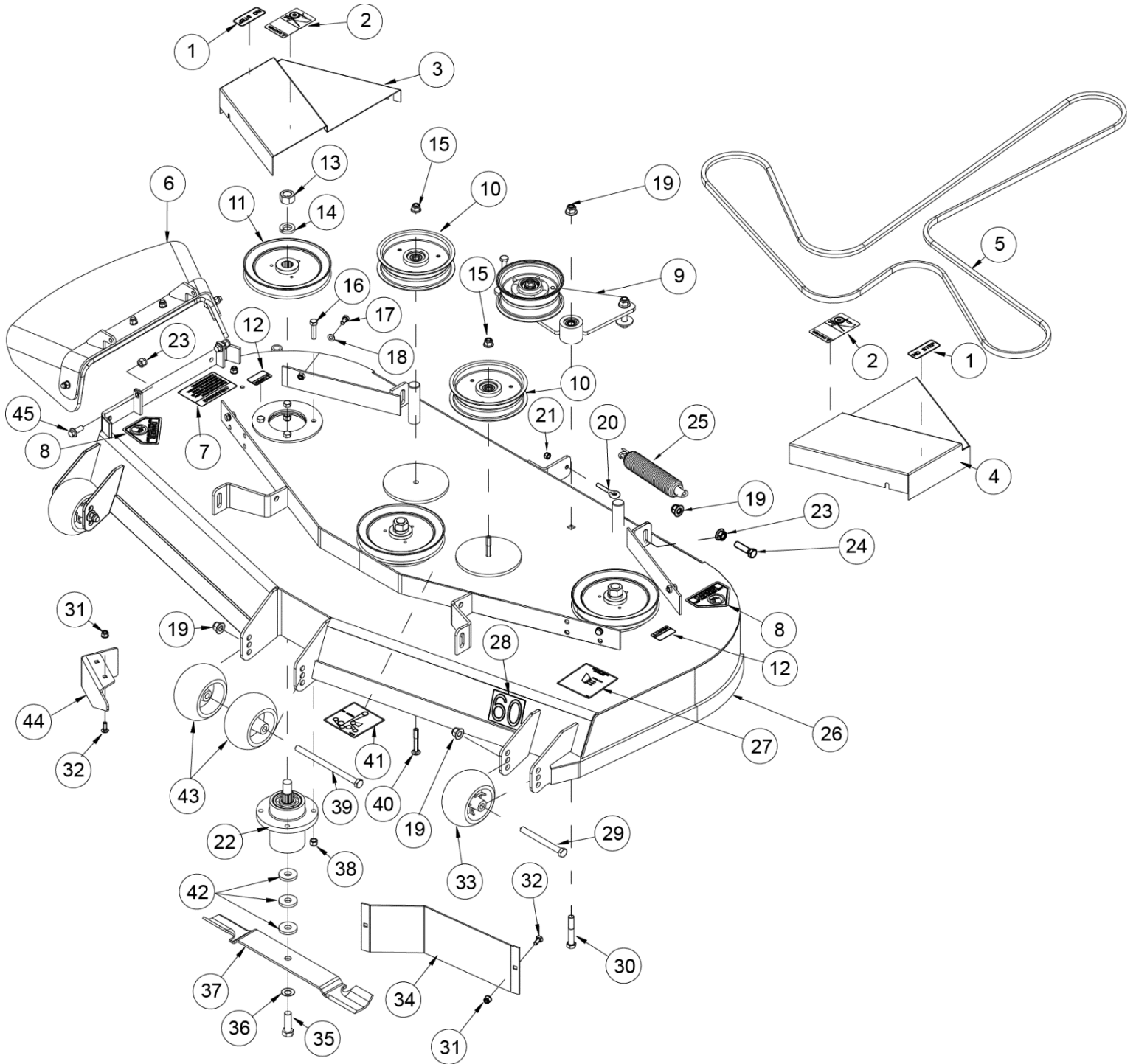
52" DECK ASSEMBLY



52" DECK ASSEMBLY

ITEM	PART NO.	DESCRIPTION
1	632047	SHIELD, RH DB 52 BELT, W/DECALS
2	104511	3/4-16 UNF REG HEX NUT
3	105010	3/4 LOCKWASHER
4	452073	PULLEY, DECK
5	B5783-816	SCREW, HH TAP M8x16
6	B97.1-8	WASHER 8
7	100294	3/8-16 X 1-1/2 HHCS
8	B6187-10	FLANGED TOPLOCK M10
9	B6183-12	NUT, NYLOC FLANGE M12
10	633228	DECAL, BELT ROUTING
11	632034	ASM, DECK IDLER - DETAIL ON PG 25
12	542147	ASM, 150MM FLAT IDLER W/SPACER- DETAIL ON PG 27
13	B6182-8	NUT, NYLOC M8
14	B6177-12	NUT, FLANGED M12
15	633068	BELT, DECK
16	B5782-1245	SCREW, HH M12 X 45
17	632124	ASM, YOKE
18	5207015	IDLER PULLEY SPRING
19	632046	SHIELD, LH DB 52 BELT, W/DECALS
20	632050	ASM, 52 DB DECK W/DECALS
21	B801-1270	CARRIAGE BOLT M12X70
22	B801-820	BOLT, CARRIAGE SN M8X20
23	B6183-8	NUT, FLANGED NYLOC M8
24	B5782-12120	SCREW, HH M12 X 120
25	543046	BAFFLE, BIRDWING LH
26	583108	5/8 SPRING DISC WASHER
27	100347	5/8-11 X 2 HHCS
28	823004	18" HI LIFT BLADE
	823353	18" MULCHING BLADE
29	543225	ROLLER, ANTI SCALP
30	B801-1060	BOLT, CARRIAGE M10 X 60
31	104257	3/8-16 HEX NYLOC NUT
32	363382	BLADE SPACER
33	583106	BLADE SPINDLE ASSY - DETAIL ON PG 24
34	543213-2	BAFFLE, DOGLEG 52, RED
35	B5787-1025	SCREW, HH FLANGE M10x25
36	B6182-10	NUT, NYLOC M10
37	6001050A	ASM, DISCHARGE CHUTE 52/60
38	8304	DECAL, NO STEP
39	8008	DECAL, CAUTION, GUARDING LG
40	8303	DECAL, CAUTION, GUARDING SM
41	8307	DECAL, DISCHARGE WARNING
42	363023	DANGER DECAL, HANDS AND FEET
43	8326	DECAL, 52"
44	633228	DECAL, BELT ROUTING
45	B5783-835	BOLT M8X35
46	633301	BUSHING

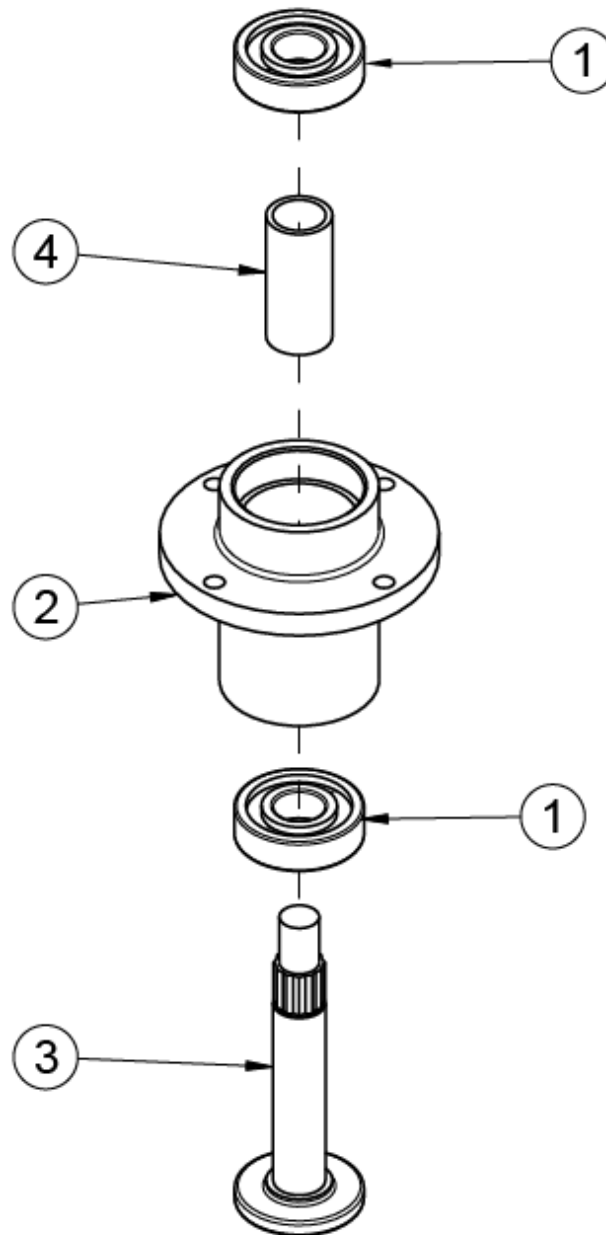
60" DECK ASSEMBLY



60" DECK ASSEMBLY

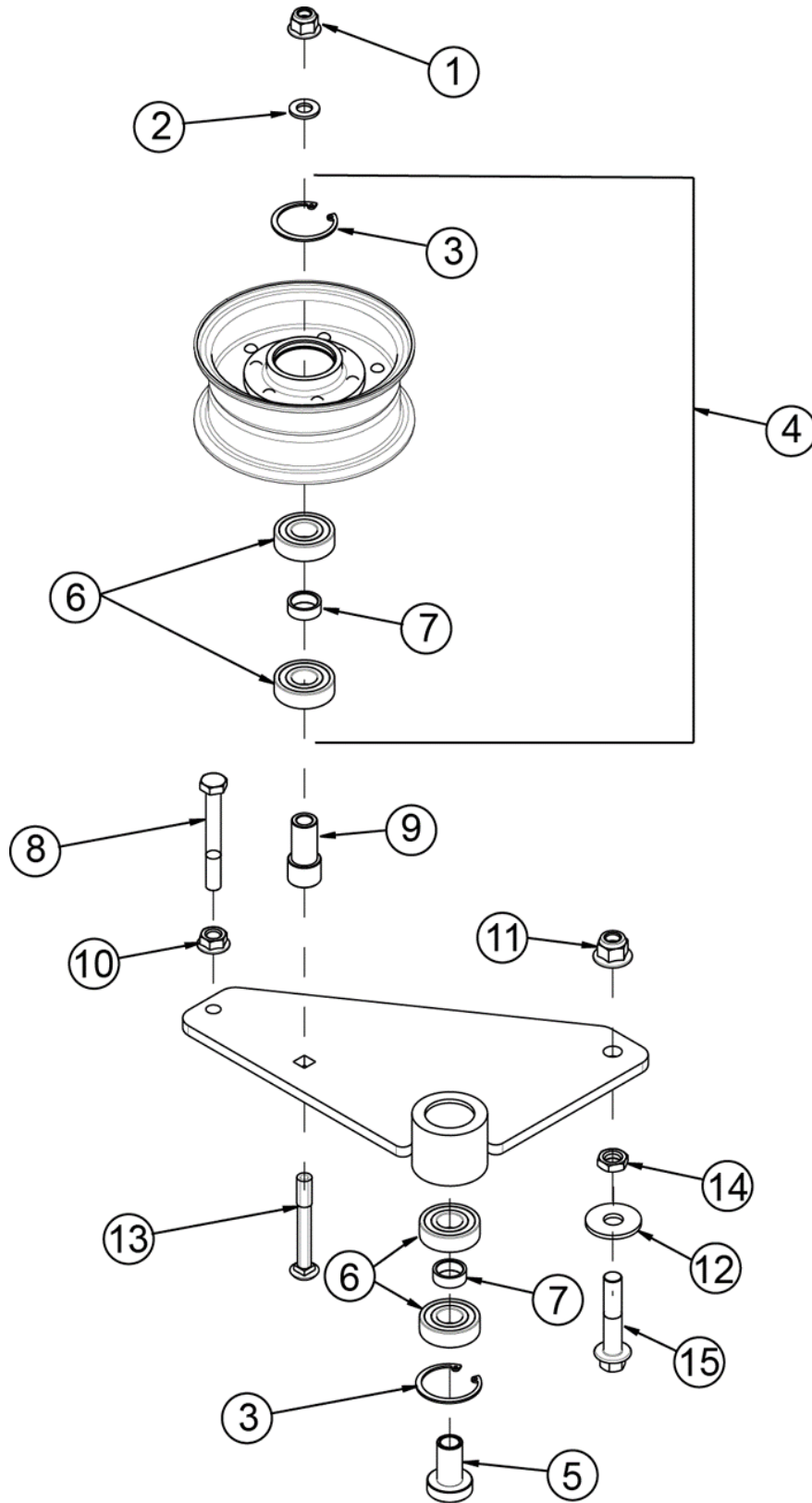
ITEM	PART NO.	DESCRIPTION
1	8304	DECAL, NO STEP
2	8008	DECAL, CAUTION, GUARDING LG
3	632092	SHIELD, RH DB 60 BELT W/DECALS
4	632091	SHIELD, LH DB 60 BELT W/DECALS
5	633338	BELT, 60 DECK
6	6001050A	ASM, DISCHARGE CHUTE 52/60
7	8307	DECAL, DISCHARGE WARNING
8	363023	DANGER DECAL, HANDS AND FEET
9	632034	ASM, DECK IDLER – DETAIL ON PG 25
10	542147	ASM, 150MM FLAT IDLER W/SPACER – DETAIL ON PG 27
11	632044	PULLEY, 60 DB DECK
12	8303	DECAL, CAUTION, GUARDING SM
13	104511	3/4-16 UNF REG HEX NUT
14	105010	3/4 LOCKWASHER
15	B6183-10	NUT, NYLOC FLANGE M10
16	100294	3/8-16 X 1-1/2 HHCS
17	B5783-816	SCREW, HH TAP M8 X 16
18	B97.1-8	WASHER 8
19	B6183-12	NUT, NYLOC FLANGE M12
20	363080	EYEBOLT-RIGHT
21	104256	5/16-18 HEX NYLOC NUT
22	583106	BLADE SPINDLE ASSY – DETAIL ON PG 24
23	B6182-10	NUT, NYLOC M10
24	B5783-1245	SCREW, HH TAP M12 X 45
25	632134	SPRING KIT
26	632090	ASM, 60 DB DECK W/DECALS
27	543392	DECAL, ANTI-SCALP ROLLER
28	8327	DECAL, "60"
29	B5782-12120	SCREW, HH M12 X 120
30	B801-1270	CARRIAGE BOLT M12X70
31	B6183-8	NUT, FLANGED NYLOC M8
32	B801-820	BOLT, CARRIAGE SN M8 X 20
33	543225	ROLLER, ANTI SCALP
34	543217-2	BAFFLE, BIRDWING 60, RED
35	100347	5/8-11 X 2 HHCS
36	583108	5/8 SPRING DISC WASHER
37	633335	BLADE, 20.5" HI-LIFT
	633340	BLADE, 20.5" MULCH
38	104257	3/8-16 HEX NYLOC NUT
39	5202029	SCREW, HH CAP M12 X 185
40	B801-1060	BOLT, CARRIAGE M10 X 60
41	633228	DECAL, BELT ROUTING
42	363382	BLADE SPACER
43	423023	ROLLER, ANTI SCALP
44	543214-2	BAFFLE, DOGLEG 60, RED
45	B5787-1025	SCREW, HH FLANGE M10 X 25

SPINDLE HOUSING ASSEMBLY



ITEM	PART NO.	DESCRIPTION
1	363350	BEARING – BLADE SPINDLE
2	583111	SPINDLE HOUSING
3	583112	SPINDLE SHAFT
4	583113	BEARING SPACER TUBE

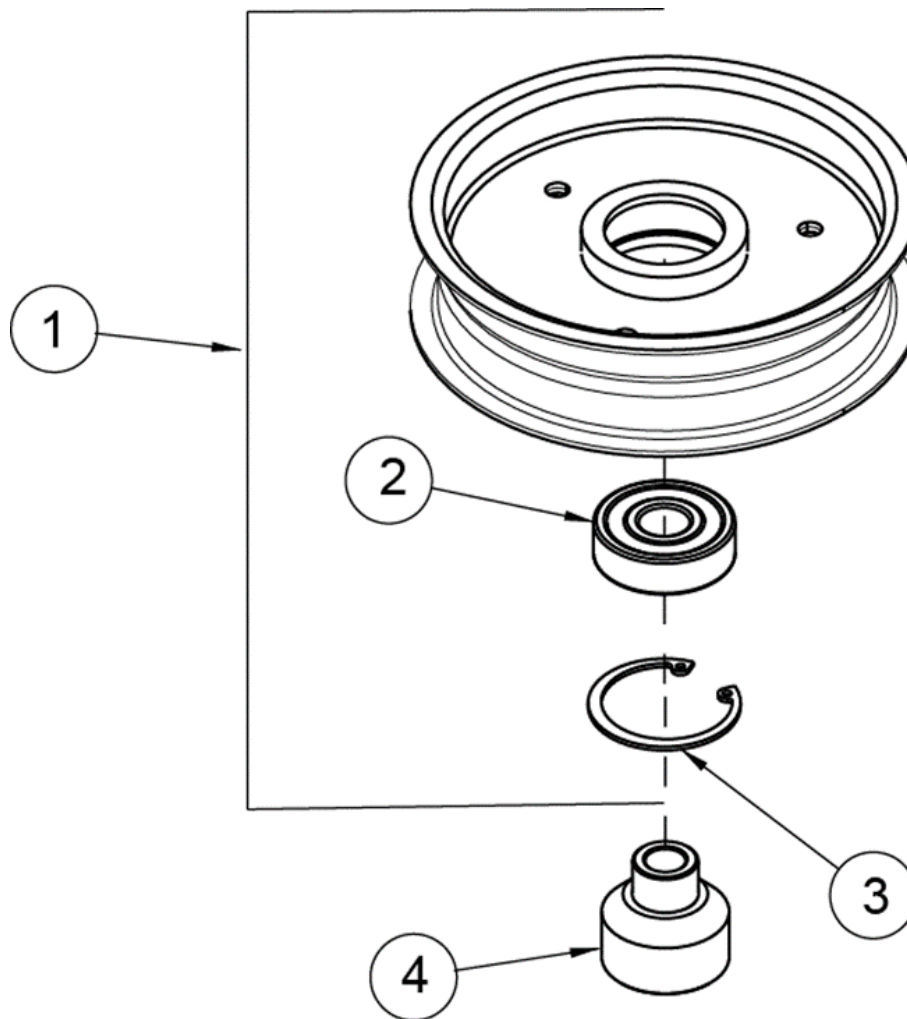
DECK IDLER ASSEMBLY



DECK IDLER ASSEMBLY

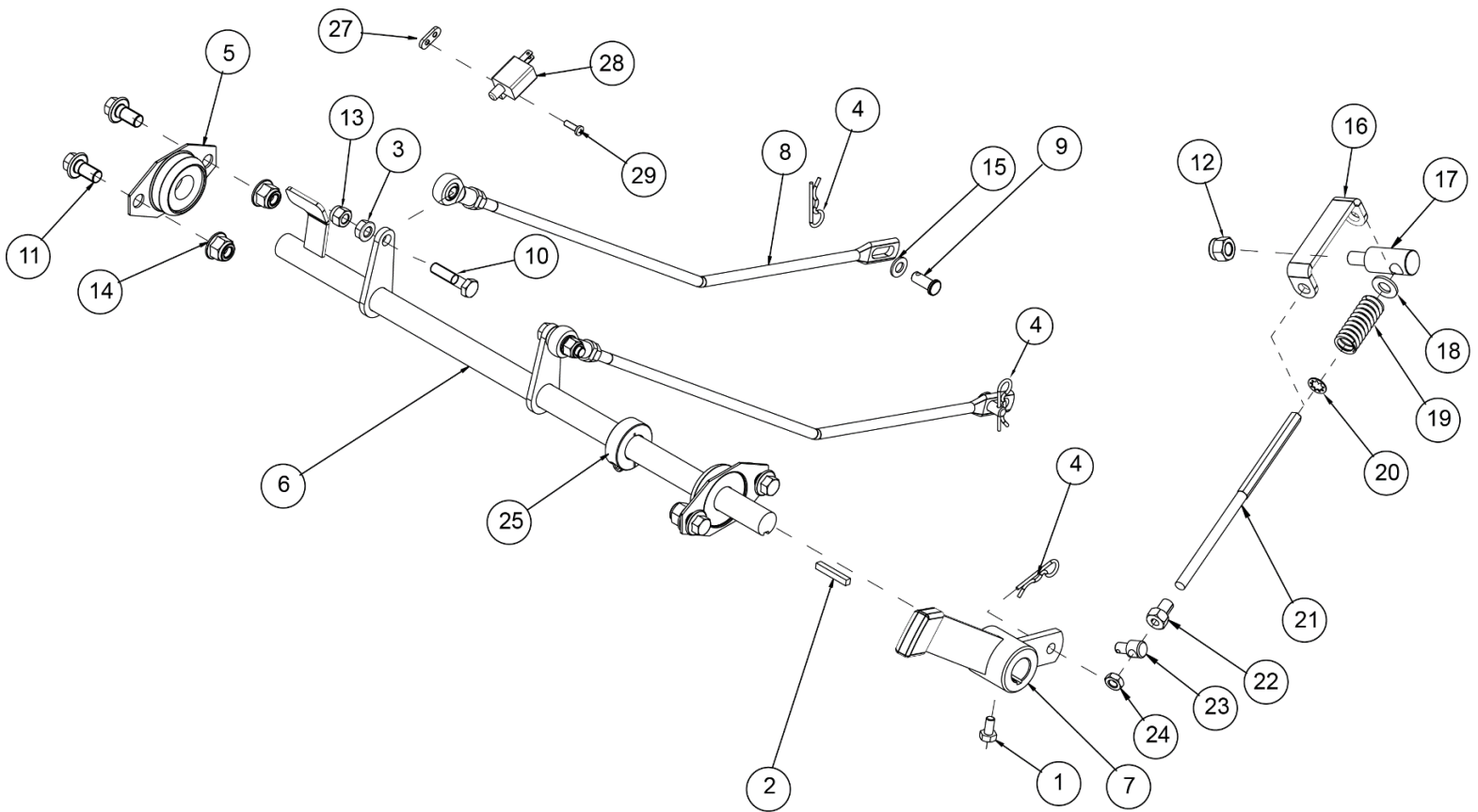
ITEM	PART NO.	DESCRIPTION
1	B6183-10	NUT, NYLOC FLANGE M10
2	B97.1-10	WASHER, FLAT M10
3	B893.1-40	SNAP RING 40
4	462072	ASM, IDLER PULLEY
5	633015	STEPPED SPACER
6	B276-6203RS	BEARING 6203-2RS
7	5201077	BUSHING
8	B5782-1080	BOLT M10 X 80
9	463220	SPACER, IDLER PULLEY
10	B6177-10	NUT, FLANGED M10
11	B6183-12	NUT, NYLOC FLANGE M12
12	633393	SPACER, FRAME – PLATED
13	B801-1075	BOLT, CARRIAGE M10 X 75
14	B6172.1-12	NUT, JAM M12
15	B5787-1260	SCREW, HH FLANGE M12 X 60

DECK IDLER



ITEM	PART NO.	DESCRIPTION
1	542138	IDLER, FLAT 150MM W/BRG & SNAP RING
2	B276-6303RS	BEARING 6303-2RS
3	B893.1-47	SNAP RING 47
4	543450	STAND-OFF, LG IDLER

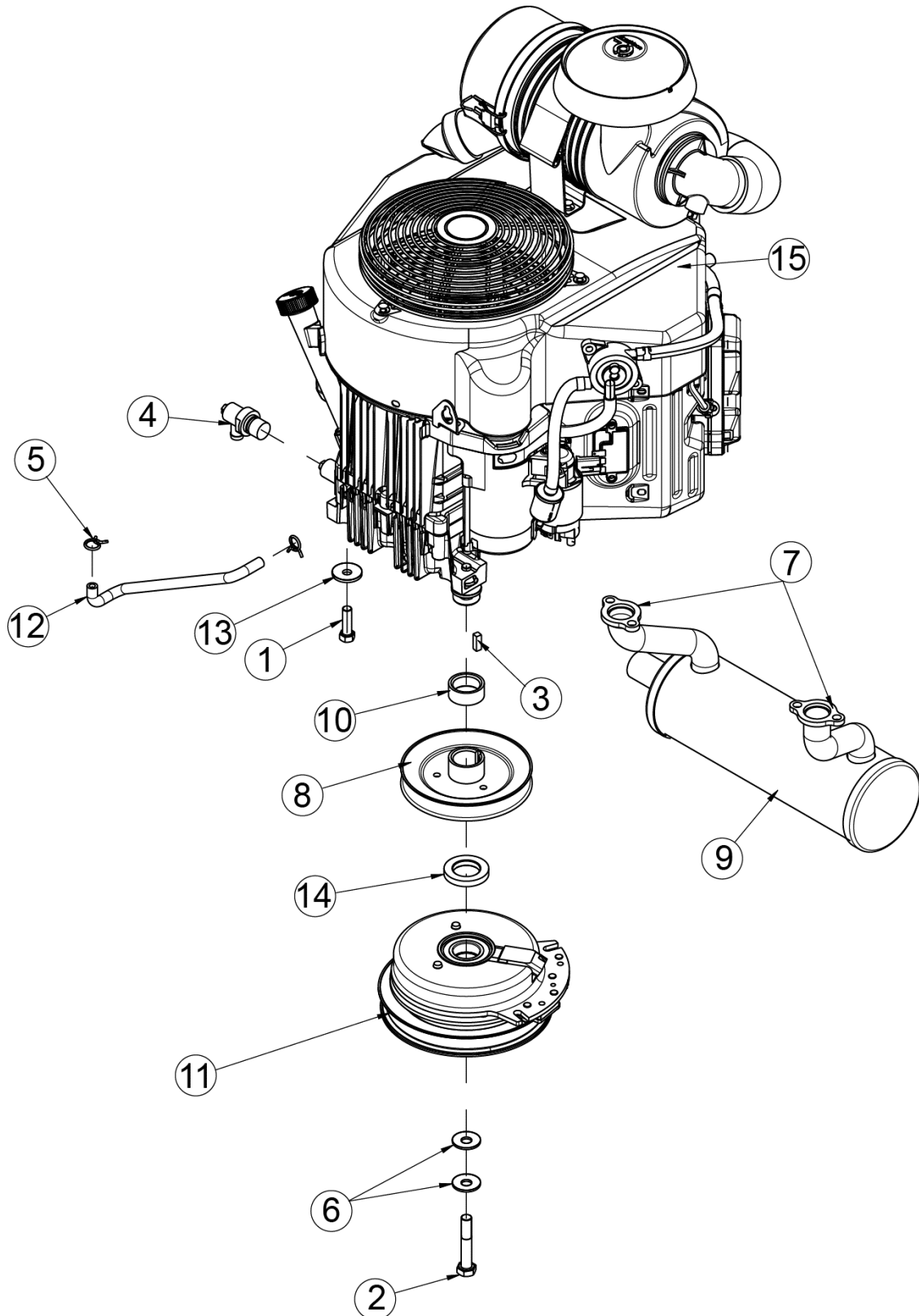
BRAKE CONTROL GROUP



BRAKE CONTROL GROUP

ITEM	PART NO	DESCRIPTION
1	100501	1/4-28 X 1/2 HHCS
2	107264	3/16 X 3/16 X 1-1/4 MACH KEY
3	B6177-8	NUT, WHIZLOCK M8
4	XSZ56-1-17	HAIR PIN
5	423140	3/4 I.D. 2 BOLT BEARING
6	632013	WLD, BRAKE SHAFT
7	632015	ASM, BRAKE LEVER
8	543300	GRIP, PARK BRAKE
9	B882B-820	PIN, 8 X 20 CLEVIS
10	B5782-835	BOLT M8X35
11	B5787-1020	SCREW, HH FLANGED M10 X 20
12	B6182-10	NUT, NYLOC M10
13	B6182-8	NUT, NYLOC M8
14	B6183-10	NUT, NYLOC FLANGE M10
15	B97.1-8	WASHER 8
16	593114	PARK BRAKE STRAP - PLATED
17	633116	SWIVEL, PARK BRAKE
18	105259	3/8 SAE FLAT WASHER
19	523024	SPRING, COMPRESSION
20	363117	BELT TENSION SPRING
21	463089	ROD, SHORT BRAKE
22	593116	BRAKE SPRING NUT – PLATED
23	463231	SWIVEL, PARK BRAKE ROD
24	104751	5/16-18 HEX JAM NUT
25	523138	3/4" CLAMP COLLAR
26	632019	ASM, BRAKE LINK
27	5208103	NUT RACK
28	523034	BRAKE SWITCH
29	B823-516	SCREW, M5 X 16

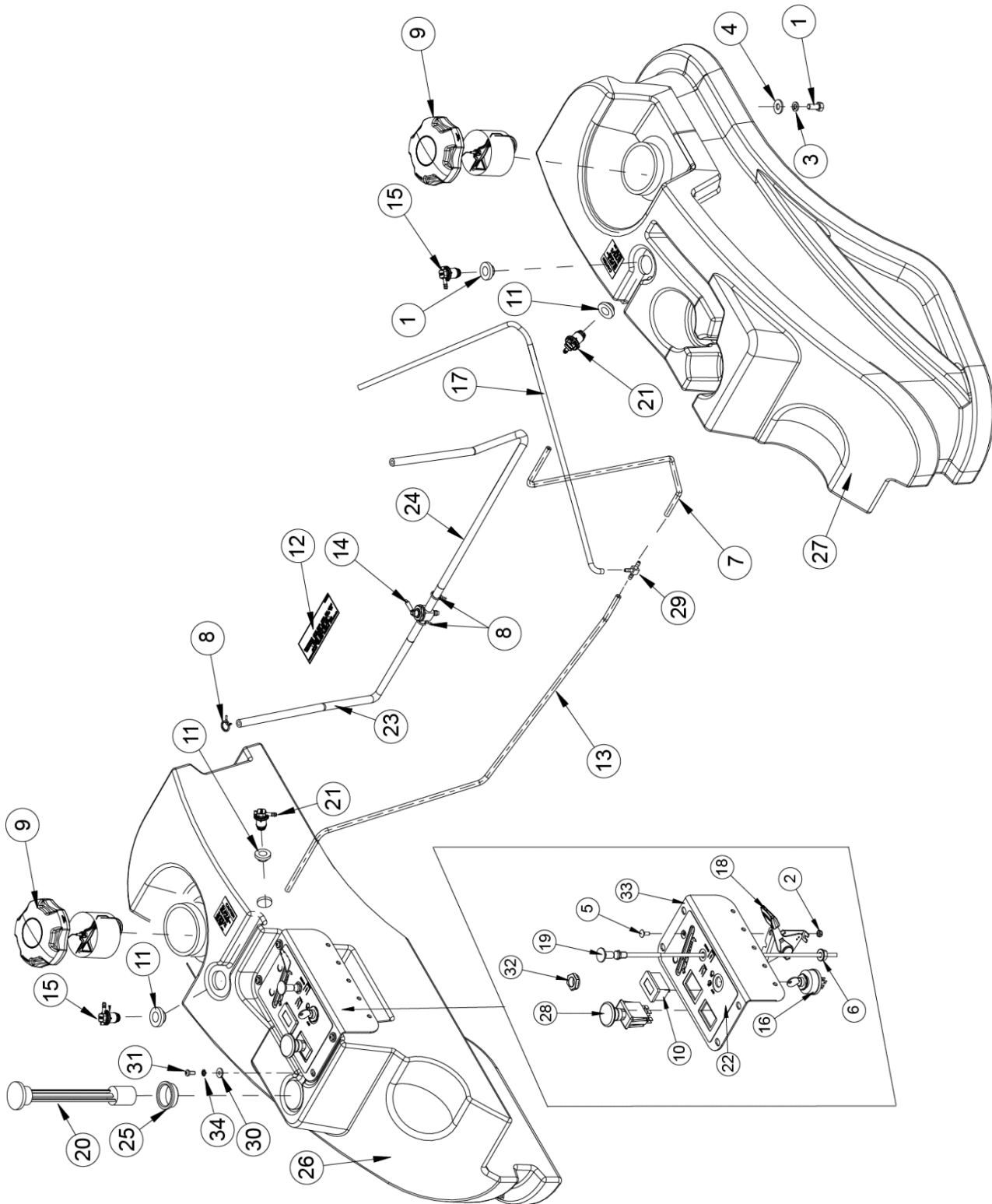
ENGINE ASSEMBLY FX691/FX730



ENGINE ASSEMBLY FR691

ITEM	PART NO.	DESCRIPTION
1	100293	3/8-16 X 1-1/4 HHCS
2	100535	7/16-20 X 2-1/2 HHCS
3	107258	1/4 X 1/4 X 3/4 MACH KEY
4	343146	90 DEGREE DRAIN -KAW BLK
5	363098	CLAMP, FUEL LINE 1/4 ID
6	423069	SPRING DISC. WASHER - 7/16
7	483098	MUFFLER GASKET – 19, 21, 23, 25 KAW
8	543003	SHEAVE, PUMP DRIVE
9	633033	MUFFLER, KAWASAKI FR691
10	633038	SPACER, ENGINE
11	633073	CLUTCH, 175 LB
12	633099	HOSE, FUEL 1/4 X 14"
13	753027	SPRING DISC WASHER
14	823248	CLUTCH SPACER 9/32
15	FOR REFERENCE ONLY	ENGINE, KAW FX691V
	FOR REFERENCE ONLY	ENGINE, KAW FX730V

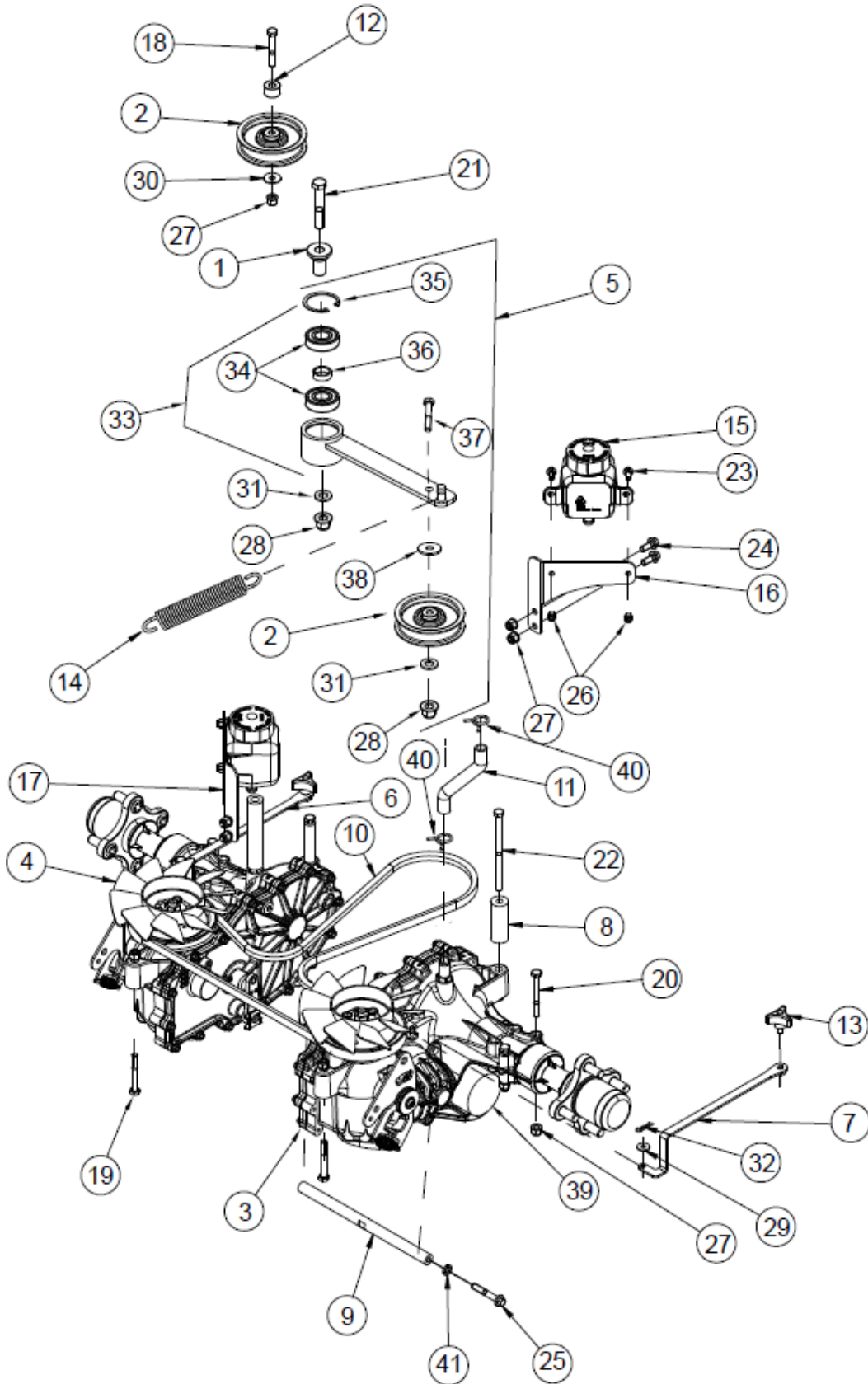
FUEL ASSEMBLY



FUEL ASSEMBLY DIAMONDBACK

ITEM	PART NO.	DESCRIPTION
1	100271	5/16-18 X 3/4 HHCS
2	104252	#10-24 HEX NYLOC NUT
3	105005	5/16 LOCKWASHER-HEAVY
4	105258	5/16 STD FLAT WASHER
5	107527	BOLT, CARRIAGE #10-24 X 1/2
6	109008	3/8-24 WHIZLOCK NUT
7	353223	HOSE, VENT 3/16 X 22"
8	363098	CLAMP, FUEL LINE 1/4 ID
9	363413	FUEL CAP - EPA/CARB
10	453417	METER, MS HOUR
11	533125	VALVE GROMMET - VITON
12	533159	EPA LABEL
13	543362	HOSE, VENT 3/16 ID X 36
14	583050	FUEL VALVE
15	593370	REMOTE VENT
16	632161	KIT, IGNITION SWITCH MN
17	633102	HOSE, VENT 3/16 X 29"
18	633103	THROTTLE CABLE
19	633104	CHOKE CABLE
20	633307	GAUGE, FUEL 14.5"
21	633308	FITTING, 45° FUEL W/ BENT TUBE 22"
22	633315	DECAL, CONTROL PANEL
23	633316	HOSE, FUEL 1/4 ID X 20"
24	633317	HOSE, FUEL 1/4 ID X 28"
25	633326	GROMMET, FUEL GAGE
26	632125	ASM, FUEL TANK LP-RH
27	632126	ASM, FUEL TANK LP-LH
28	4807005	SWITCH, PTO
29	5204010	TEE, HOSE 3/16 ID
30	5204044	BUSHING
31	5204045	SCREW 10-24 UNC X 1/2"
32	423027-3	NUT, 5/8 IGN SWITCH Fe
33	633309-1	CONSOLE, TANK
34	B861.1-5	INT TOOTH LOCKWASHER M5
NOT SHOWN	423413	KEY, COVERED IGNITION

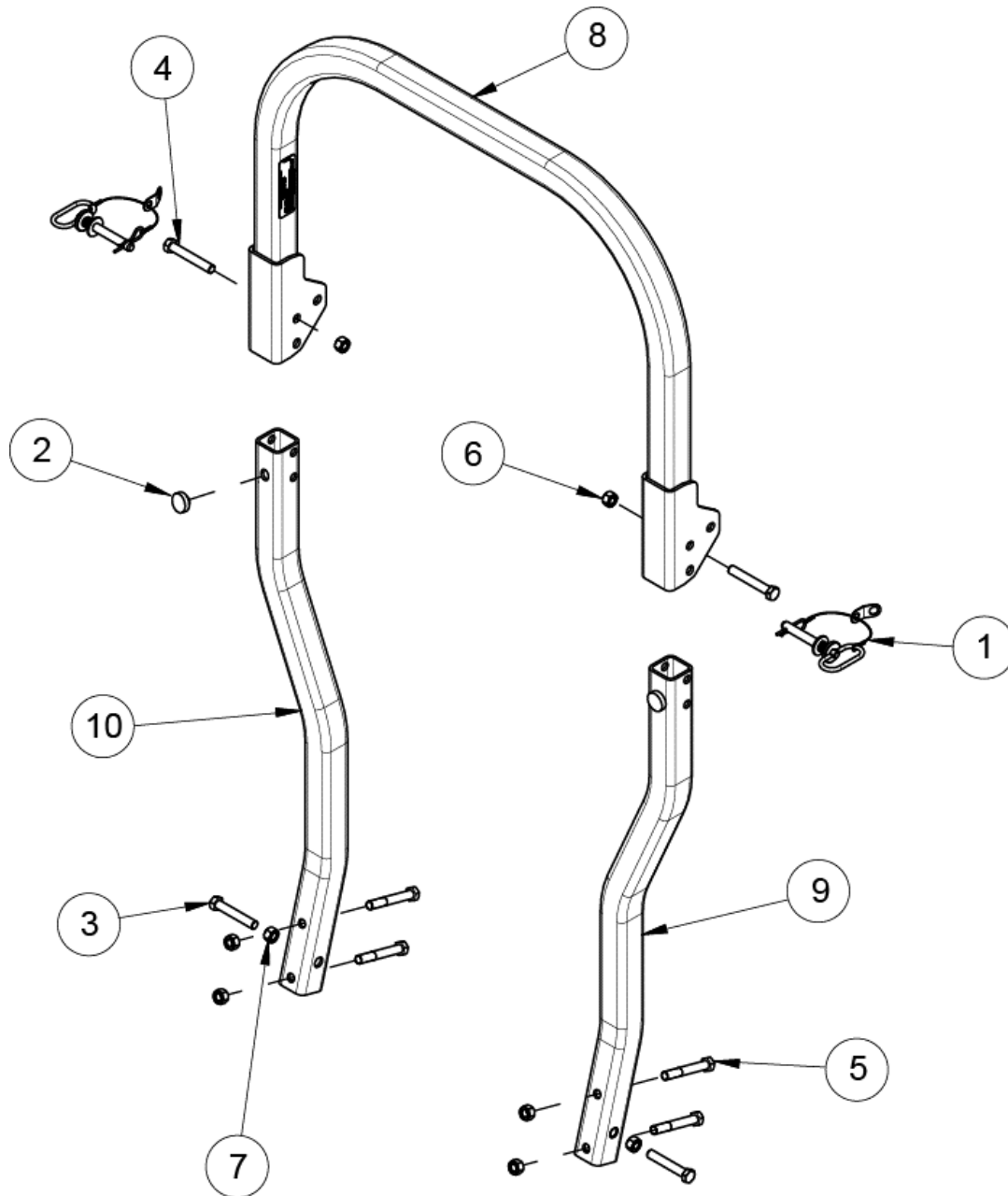
HYDRO ASSEMBLY



HYDRO ASSEMBLY

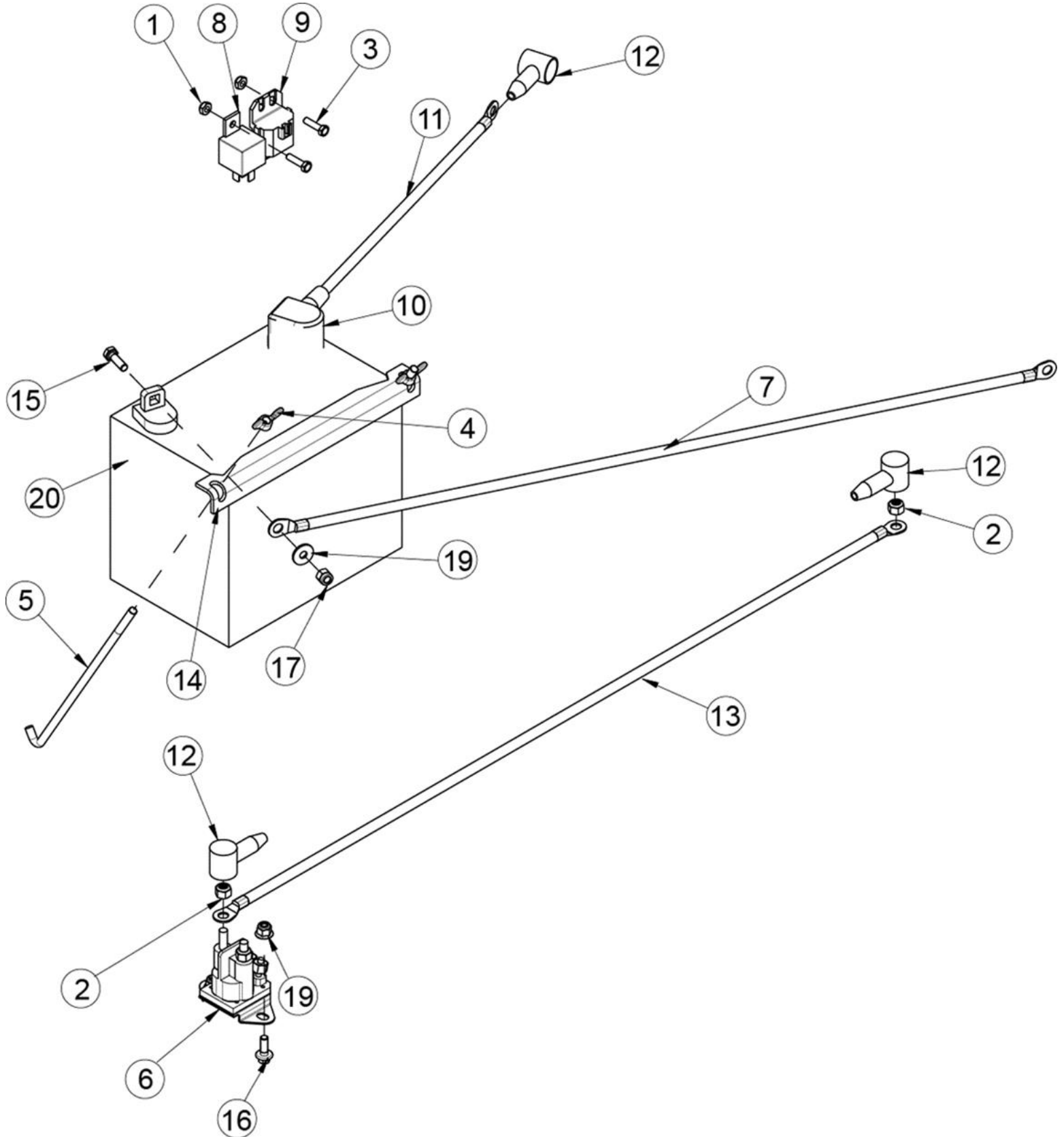
ITEM	PART NO.	DESCRIPTION
1	453313	BUSHING, STEPPED
2	633302	PULLEY, 03.37 X .75 IDLER
3	633122	HYDRO, DB ZT 3200 LH
4	633121	HYDRO DB ZT 3200 RH
5	632017	ASM, HYDRO IDLER W/PULLEY
6	632020	WLD, HYDRO RELEASE RH
7	632021	WLD, HYDRO RELEASE LH
8	633030	HYDRO SPACER
9	633249	ROD, 20MM HYDRO SUPPORT
10	633061	BELT, HYDRO
11	633272	HOSE, EXPANSION TANK
12	633108	SPACER
13	3302190	KNOB, 3-PRONGED W/STUD
14	543520	EXTENSION SPRING
15	6012021	TANK, EXPANSION
16	633066-1	BRACKET, HYDRO TANK LH - BLACK
17	633067-1	BRACKET, HYDRO TANK RH - BLACK
18	B5782-855	HEX HD BOLT M8X55
19	B5782-860	HEX HD BOLT M8X60
20	B5782-870	BOLT M8X70
21	B5782-1270	SCREW, HH M12x70
22	B5782-8120	BOLT, M8 X 120
23	B5787-616	SCREW, HH FLANGE M6X16
24	B5787-820	SCREW, HH FLANGE M8X20
25	B5787-1055	BOLT M10 X 55
26	B6182-6	NUT, NYLOC M6
27	B6183-8	NUT, NYLOC M8
28	B6183-12	NUT, NYLOC FLANGE M12
29	B96-6	WASHER, FLAT LARGE M6
30	B96-8	WASHER 8
31	B97.1-12	WASHER 12
32	XSZ56-1-17	HAIR PIN
33	632022	ASM, HYDRO IDLER
34	B276-6203RS	BEARING 6203-2RS
35	B893.1-40	SNAP RING 40
36	5201077	BUSHING
37	B5782-845	BOLT M8X45
38	3303034	WASHER 8MM
39	H-52114	FILTER, SPIN-ON 2.6 X 3.0
40	633273	CLAMP, 11/16" WIRE
41	B93-10	SPLIT LOCK WASHERM10

ROPS ASSEMBLY



ITEM	PART NO.	DESCRIPTION
1	543262A	PIN, ROPS W/LANYARD AND SPRING
	543262	PIN, ROPS W/LANYARD
2	633422	BUMPER, RUBBER
3	100049	SCREW, HH TAP 1/2-13 X 3
4	100332	1/2-13 X 3-1/4 HHCS
5	100334	1/2-13 X 3-1/2 HHCS
6	104259	1/2-13 HEX NYLOC NUT
7	104509	1/2-13 REG HEX NUT
8	632073	ASM, DB ROPS UPPER
9	634096	ASM, LH ROPS POST
10	634097	ASM, RH ROPS POST

BATTERY GROUP



DIAMONDBACK BATTERY GROUP

ITEM	PART NO.	DESCRIPTION
1	104252	#10-24 HEX NYLOC NUT
2	104255	1/4-20 HEX NYLOC NUT
3	109009	#10-24 X 3/4 HHCS
4	109012	1/4 WING NUT
5	423172	BATTERY HOLD DOWN ROD - PLATED
6	422150	STARTER RELAY W/TERMINALS
7	543330	CABLE, BATTERY NEGATIVE
8	583351	ELECTRIC LIFT RELAY
9	583423	TIME DELAY MODULE
10	823199	BATTERY BOOT
11	2808106	CABLE, BATTERY POS
12	2808107	RELAY CABLE COVER
13	4807105	POSITIVE POLE CABLE-BATTERY
14	453419-1	BATTERY HOLD DOWN - BLACK
15	B5783-620	SCREW, HH TAP M6x20
16	B5787-616	SCREW, HH FLANGE M6X16
17	B6182-6	NUT, NYLOC M6
18	B6183.1-6	FLANGED LOCKNUT M6
19	B96-6	WASHER, FLAT LARGE M6
20	FOR REFERENCE ONLY	BATTERY 12V
NOT SHOWN	633378	WIRE HARNESS SEE PG 44 FOR DETAIL

DECAL GROUP



8008



8303



8307



543433



543391



633228



8318



8324



633306



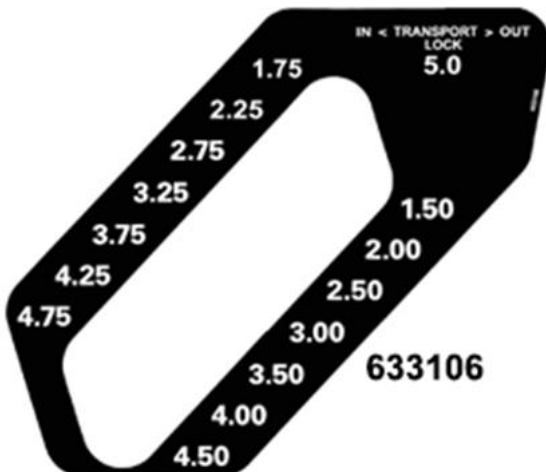
543392



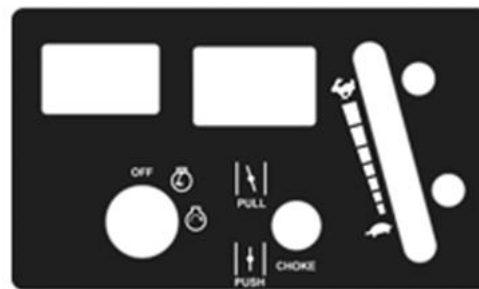
8304



363023



633106



633315



543401

DECAL GROUP



453389



453390



543397



363290



633153



543383



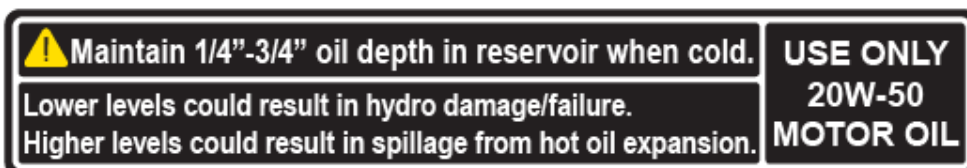
543380



8326



8327



543396



633306

DECAL GROUP



633311

633313



633312

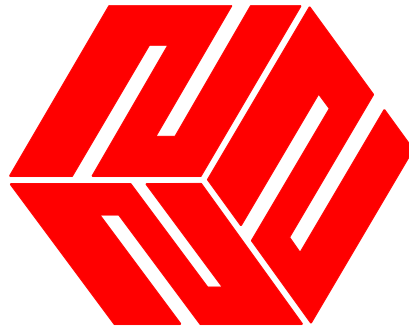
633314



633324



633275



WORLDLAWN®