

**WORLDLAWN®**



**PARTS MANUAL**

**WYZ34FS600V  
WYZ34FS600VCA**

**FOR SERIAL NUMBERS 201610U02011 AND ABOVE**

---

## CONTENTS

DECK ASSEMBLY .....	4
DECK LIFT ASSEMBLY.....	6
FRAME ASSEMBLY .....	10
DRIVE ASSEMBLY .....	16
CONTROL ASSEMBLY – RIGHT HAND .....	18
CONTROL ASSEMBLY – LEFT HAND.....	20
BRAKE ASSEMBLY – RIGHT HAND .....	22
BRAKE ASSEMBLY -LEFT HAND .....	24
HYDRO ASSEMBLY .....	26
FUEL ASSEMBLY.....	28
HYDRO TANK ASSEMBLY .....	30
ELECTRICAL SYSTEM.....	31
GATER DECAL ASSEMBLY .....	32



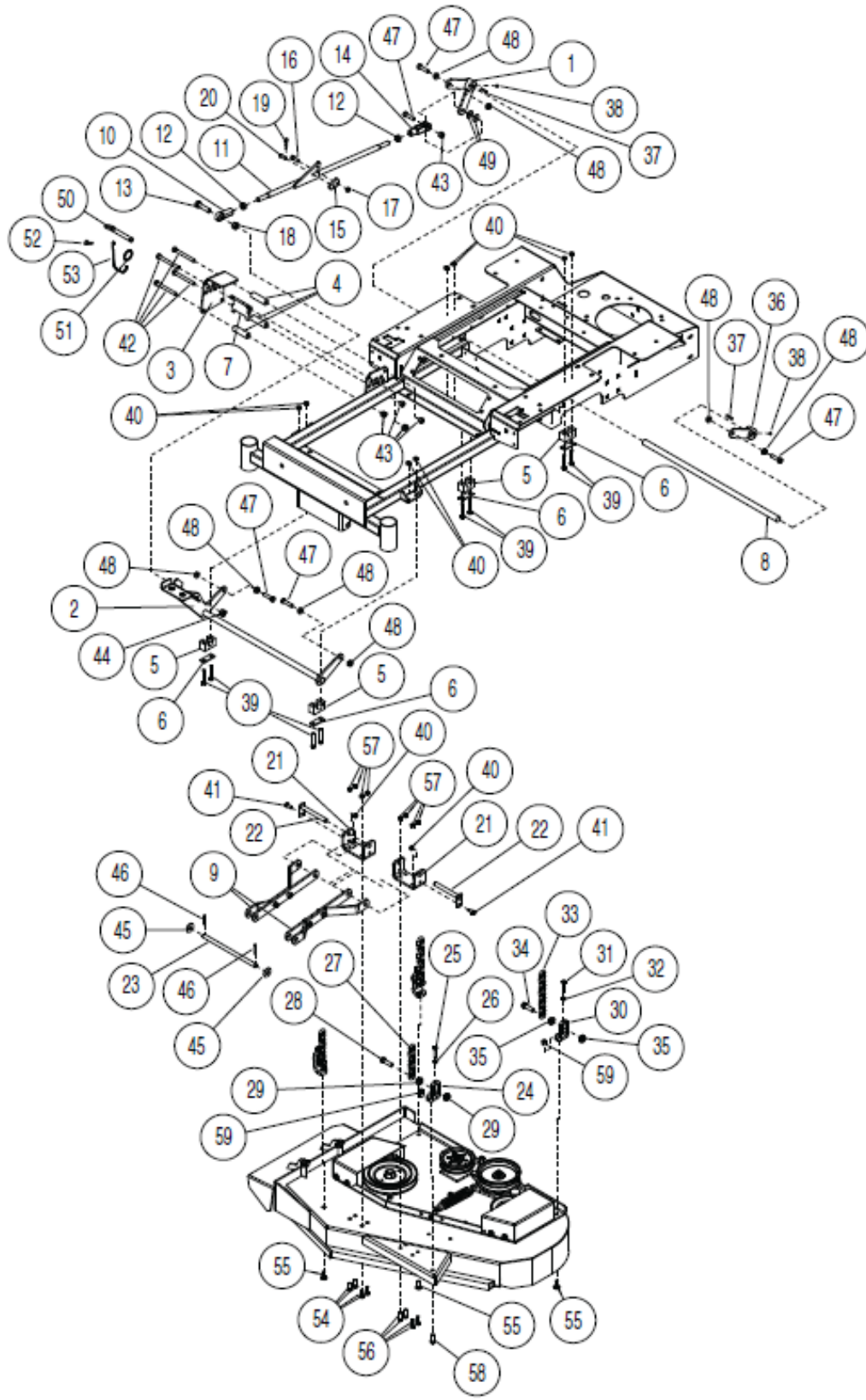




## DECK ASSEMBLY

ITEM	PART NO.	DESCRIPTION
1	353234	34" BELT SHIELD
2	523329	FLOATING IDLER - FLAT
3	522104	OFFSET PIVOT
4	523327	FLOATING IDLER SPRING
5	363080	RIGHT EYEBOLT
6	583106	BLADE SPINDLE ASM
7	583111	SPINDLE HOUSING
8	583112	SPINDLE SHAFT
9	363350	BEARING - BLADE SPINDLE
10	583113	BEARING SPACER TUBE
11	104256	5/16-18 NYLOC NUT
12	100274	5/16-18 X 1-1/4 HHCS
13	104511	3/4-16 HEX NUT
14	105010	3/4 LOCK WASHER
15	823015	DECK ARM WASHER
16	583110	PULLEY SPACER
17	583108	5/8 DISC SPRING WASHER
18	100355	5/8-11 X 1-1/4 HHCS
19	603070	7" HEX PULLEY
20	423262	5" HEX PULLEY
21	603035	20" BLADE
22	423029	14.25 HIGH LIFT BLADE
23	107506	3/8-16 3-1/4 CARRIAGE BOLT
24	109007	3/8-16 WHIZLOCK NUT
25	107509	5/16-18 X 1 CARRIAGE BOLT
26	108509	3/4 E-RING
27	107503	5/16-18 X 3/4 CARRIAGE BOLT
28	100273	5/16-18 X 1 HHCS
29	352048	IDLER ARM W/BUSHINGS
30	363089	BRONZE BUSHINGS
31	823309	FRAME SPACER
32	533114	ENGAGEMENT IDLER
33	100297	3/8-16 X 2-1/4 HHCS
34	100299	3/8-16 X 2-3/4 HHCS
35	104257	3/8-16 NYLOC NUT
36	103009	CAPLUG 1-1/4
37	109015	1/4-20 NUT CLIP
38	105256	1/4 STD FLAT WASHER
39	105004	1/4 STD LOCKWASHER
40	100252	1/4-20 X 3/4 HHCS
41	353111	34 DECK BELT
42	352030	34 DECK PLATE
43	352016	Z34 DECK WELDMENT
44	532073	ASM, GRASS DEFLECTOR

# DECK LIFT ASSEMBLY



## DECK LIFT ASSEMBLY

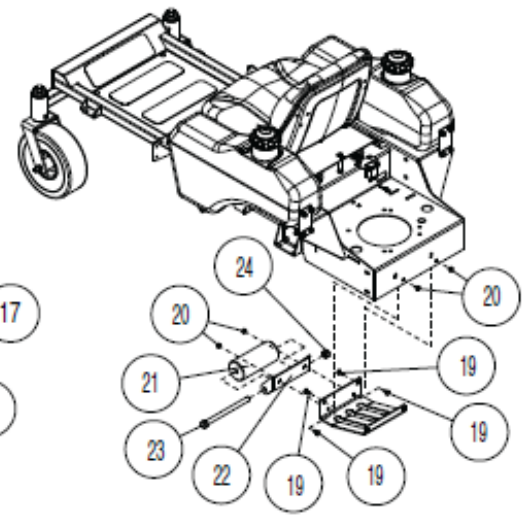
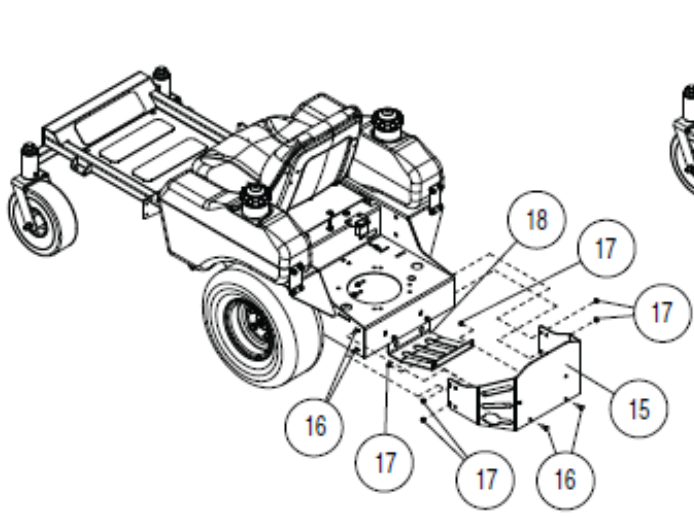
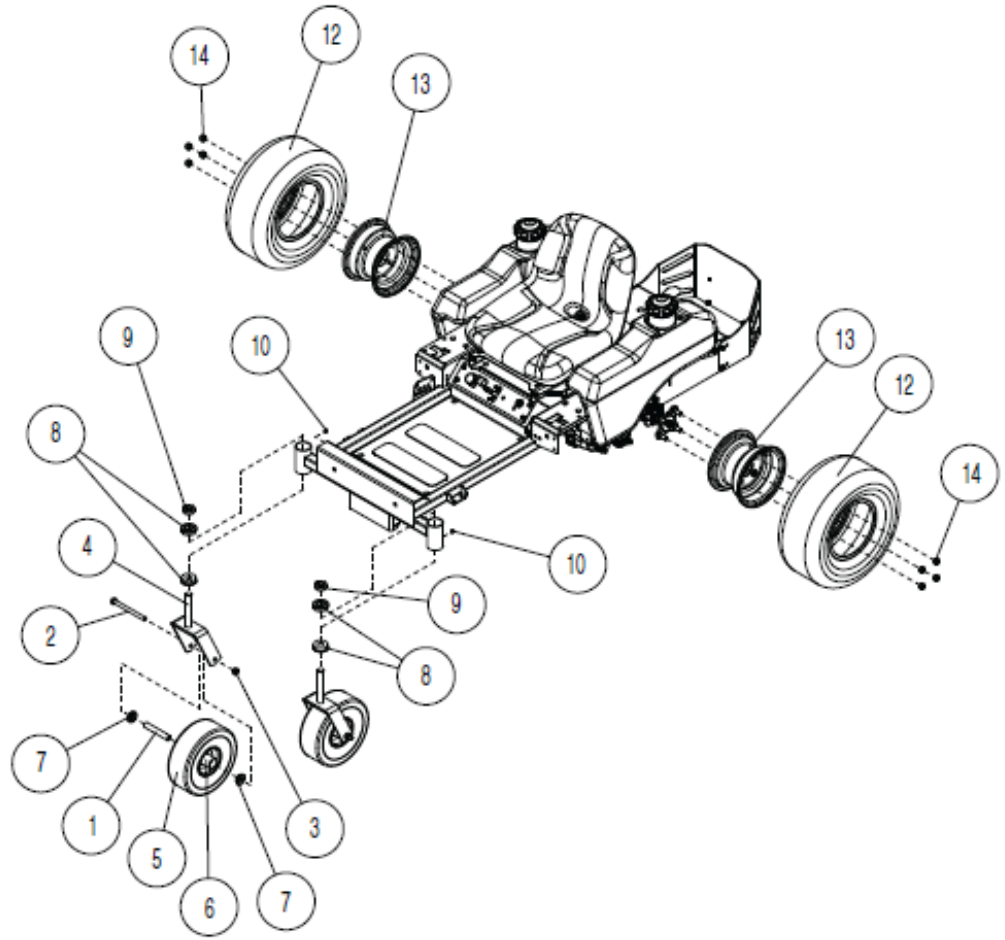
ITEM	PART NO.	DESCRIPTION
1	352010	REAR LIFT BELLCRANK, RT
2	352014	FRONT LIFT SHAFT
3	353043	HEIGHT PLATE, OUTER
4	353040	HEIGHT PLATE SPACER
5	353028	PIVOT BLOCK
6	353047	PIVOT BLOCK PLATE
7	352018	TRANSPORT LATCH
8	533010	LIFT SHAFT – FRONT
9	-----	STRUT ASM. (ORDER ITEM 60 & 61)
10	533084	ROD END 1/2"
11	352028	CONNECTING ROD
12	104755	1/2-20 HEX JAM NUT
13	100329	1/2-13 X 2 HHCS
14	533083	CLEVIS END 1/2"
15	353038	HEIGHT ADJUST TAB
16	100273	5/16-18 X 1 HHCS
17	104256	5/16-18 NYLOC NUT
18	104509	1/2-13 HEX NUT
19	363165	#3 HAIRPIN COTTER
20	363144	CLEVIS PIN 5/16
21	353045	STRUT MOUNT
22	352032	REAR STRUT PIVOT PIN
23	353110	FRONT STRUT PIN
24	533112	ADJUSTABLE CHAIN MT
25	100006	1/4-20 X 1.5 HH TAP BOLT
26	104758	1/4-20 HEX JAM NUT
27	423359	FRONT CHAIN
28	100311	7/16-14 X 1-1/2 HHCS
29	109027	7/16-14 WHIZLOCK NUT
30	533112	ADJUSTABLE CHAIN MT
31	100006	1/4-20 X 1.5 HH TAP BOLT
32	104758	1/4-20 HEX JAM NUT
33	423360	REAR CHAIN
34	100311	7/16-14 X 1-1/2 HHCS
35	109027	7/16-14 WHIZLOCK NUT
36	352012	REAR LIFT BELLCRANK, LT
37	107255	3/16 X 3/16 X 1 MACHINE KEY
38	103292	1/4-28 SETSCREW
39	100277	5/16-18 X 2 HHCS
40	104256	5/16-18 NYLOC NUT
41	100271	5/16-18 X 3/4 HHCS
42	100302	3/8-16 X 3-1/2 HHCS
43	104257	3/8-16 NYLOC NUT
44	104259	1/2-13 NYLOC NUT



## DECK LIFT ASSEMBLY

ITEM	PART NO.	DESCRIPTION
45	105264	1/2 STD FLATWASHER
46	106763	1/2 X 1-1/4 COTTER PIN
47	100294	3/8-16 X 1-1/2 HHCS
48	109007	3/8-16 WHIZ LOCK NUT
49	105260	3/8 STD FLAT WASHER
50	353153	1/2 X 3 RING PIN
51	109002	1-1/2 O.D. SPLIT RING
52	153025	#4 HAIRPIN COTTER – PLTD
53	123012	SAFETY CHAIN
54	107509	5/16-18 X 1 CARR. BOLT
55	107528	3/8-16 X 1-1/4 CARR BOLT
56	100273	5/16-18 X 1 HHCS
57	104256	5/16-18 NYLOC NUT
58	100292	3/8-16 X 1 HHCS
59	104257	3/8-16 NYLOC NUT
60	353050	STRUT, BENT
61	353052	STRUT, STRAIGHT

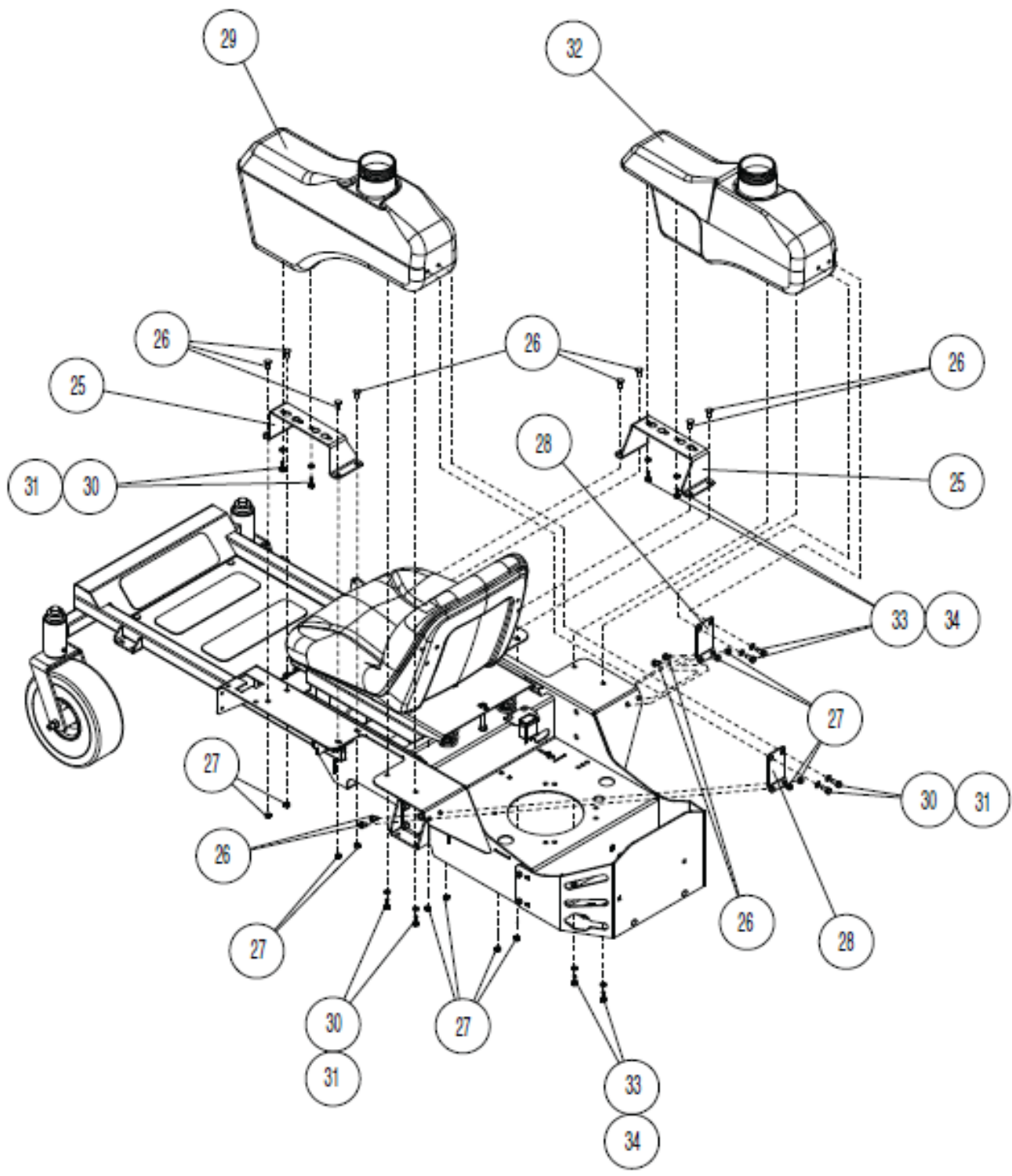
# FRAME ASSEMBLY



## FRAME ASSEMBLY

ITEM	PART NO.	DESCRIPTION
1	363307	AXLE TUBE
2	100339	1/2-13 X 6 HHCS
3	104259	1/2-13 NYLOC NUT
4	422016	FRONT CASTER YOKE WELDMENT
5	353260	FRONT TIRE W/TUBE (4.10 X 3.5 X 4)
6	353255	BLK 10" CASTER WHEEL 4-1/2 HUB
	-----	FRONT RIM – NOT SERVICED
7	423201	BEARING RETAINER
8	423109	7/8 FLANGE BEARING
9	423071	7/8 CLAMP COLLAR
10	111001	1/8 NPT STRAIGHT
11	353256	18 X 7.50 – 10 TIRE ASM, BLK –NOT SHOWN
12	353239	DRIVE TIRE 18 X 7.5 X 10
13	353240	RIM W/VALVESTEM
14	103023	1/2-20 LUG NUT
15	353075	ENGINE GUARD
16	107503	5/16-18 X 3/4 CARR HEAD
17	104256	5/16-18 NYLOC NUT
18	353100	SKID PLATE
19	107503	5/16-18 X 3/4 CARR HEAD
20	104256	5/16-18 NYLOC NUT
21	603023	FRONT ANTI-SCALP ROLLER
22	353145	WHEELIE BAR
23	100351	5/8-11 X 8-1/2 HHCS
24	104261	5/8-11 HEX NUT

# FRAME ASSEMBLY





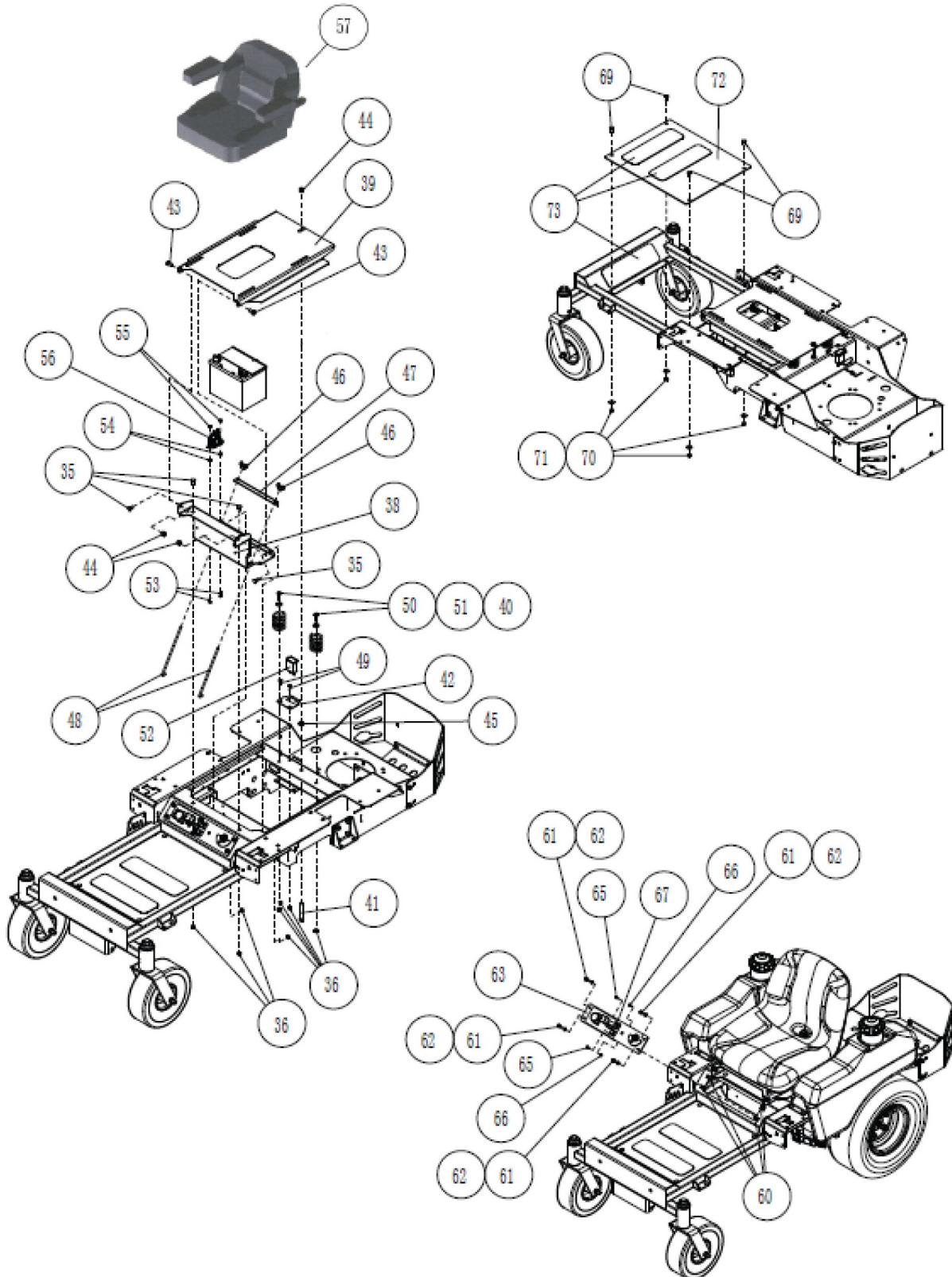
---

---

## FRAME ASSEMBLY

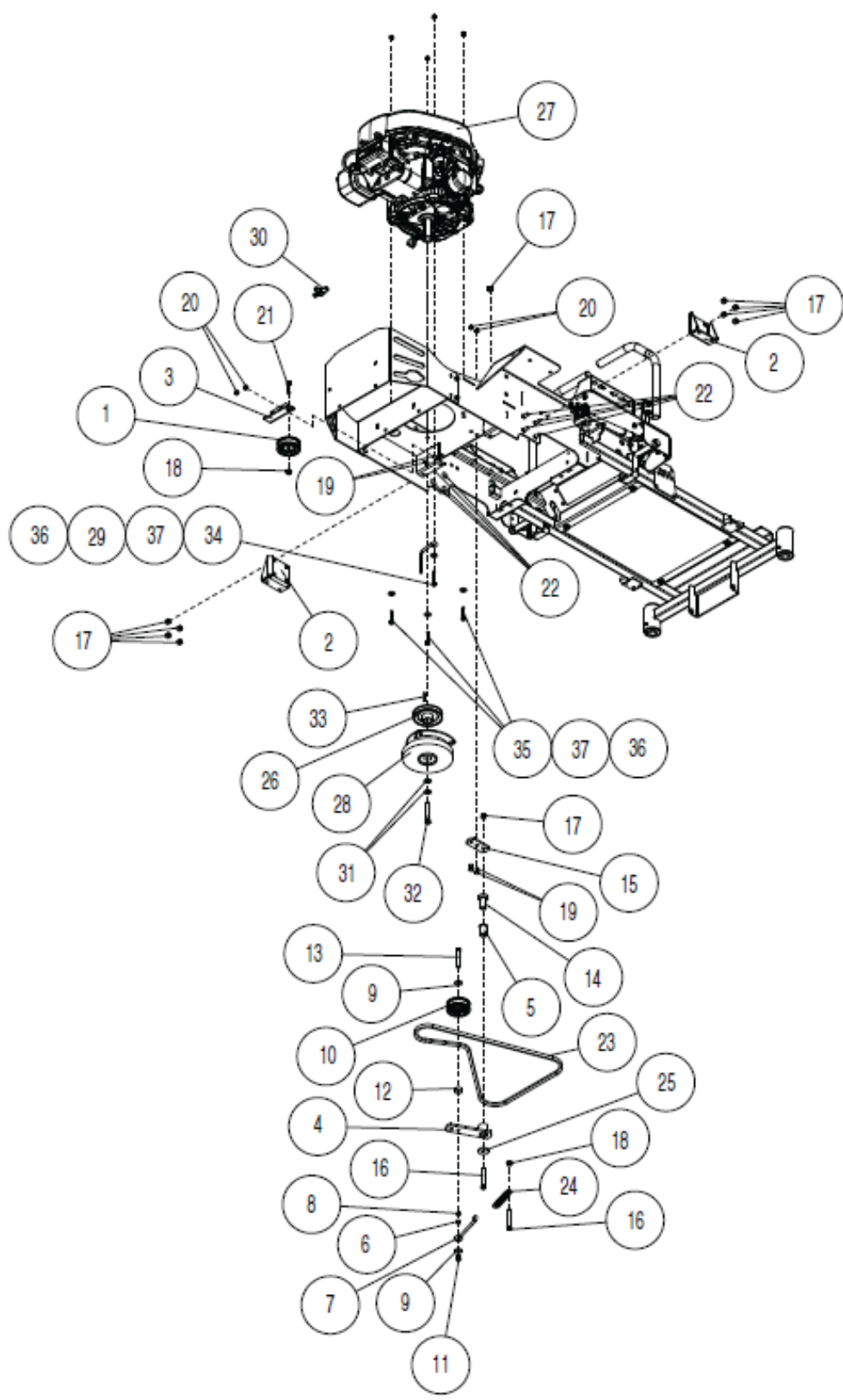
ITEM	PART NO	DESCRIPTION
25	353067	TANK SUPPORT
26	107503	5/16-18 X 3/4 CARR HEAD
27	104256	5/16-18 NYLOC NUT
28	353085	REAR TANK MOUNT
29	SEE FUEL SECTION	RH FUEL TANK
30	100271	5/16-18 X 3/4 HHCS
31	105005	5/16 LOCK WASHER
32	SEE FUEL SECTION	LH FUEL TANK
33	100271	5/16-18 X 3/4 HHCS
34	105005	5/16 LOCK WASHER

# FRAME ASSEMBLY



## FRAME ASSEMBLY

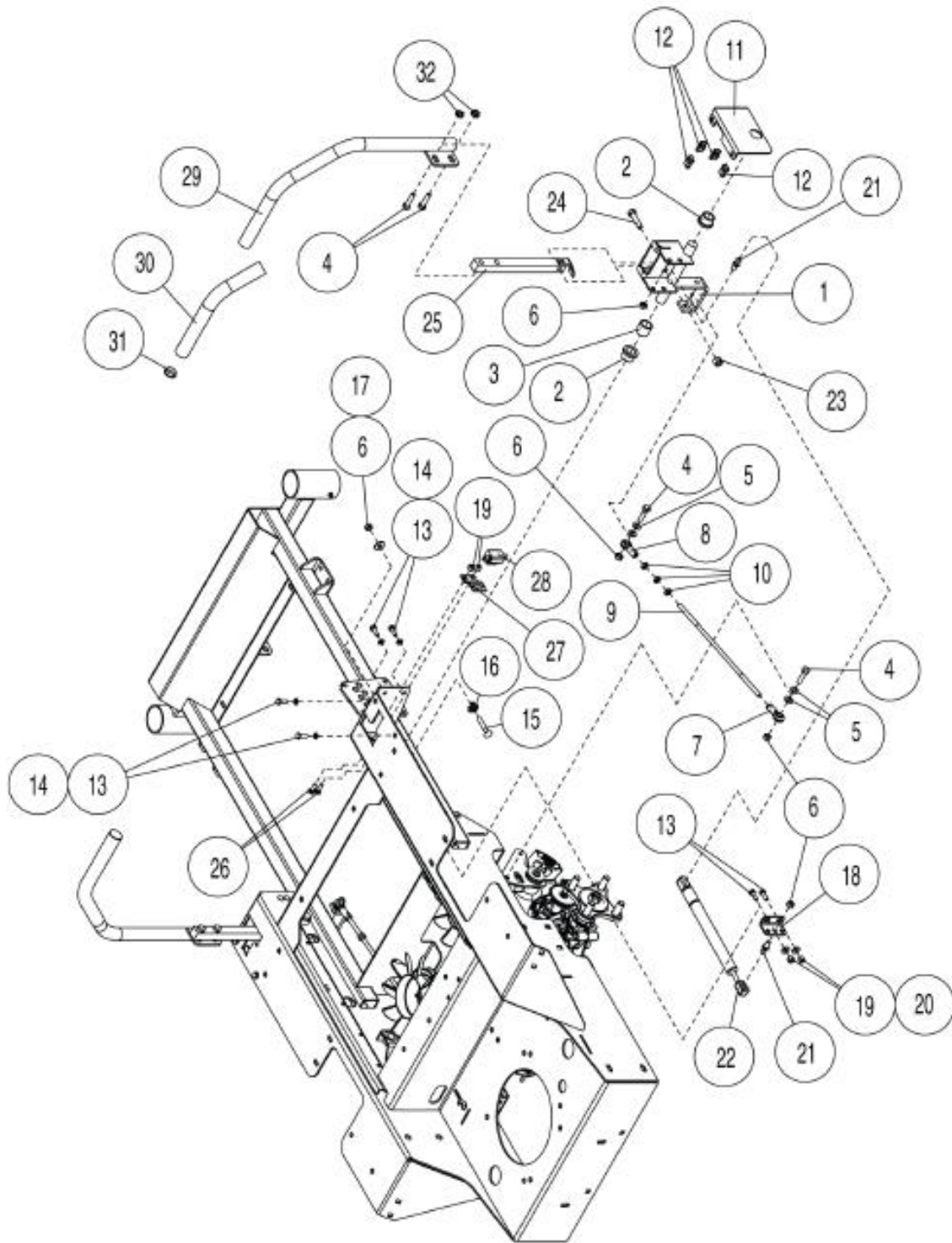
ITEM	PART NO.	DESCRIPTION
35	107503	5/16-18 X 3/4 CARR HEAD
36	104256	5/16-18 NYLOC NUT
38	353011	BATTERY TRAY
39	353015	SEAT PAN
40	523278	SEAT SPRING
41	100030	3/18-16 X 3 HHTB
42	353083	HOUR METER MOUNT
43	100291	3/8-16 X 3/4 HHCS
44	104257	3/8-16 NYLOC NUT
45	109007	3/8-16 WHIZLOCK NUT
46	109012	1/4 WING NUT
47	423011	HOLD DOWN ANGLE
48	423172	BATTERY HOLD DOWN
49	107502	1/4-20 X 3/4 CARR BOLT
50	100273	5/16-18 X 1 HHCS
51	105258	5/16 STD FLAT WASHER
52	523283	HOUR METER
53	109009	#10-24 X .75 HHS
54	109006	#10 WHIZLOCK NUT
55	104252	#10-24 NYLOC NUT
56	422150	STARTER RELAY - WP
57	353244	SEAT COMPLETE W/O TRACKS
58	353245	PAD, SK ARMREST - NOT SHOWN
60	109015	1/4-20 NUT CLIP
61	100252	1/4-20 X 3/4 HHCS
62	105004	1/4 STD LOCKWASHER
63	353177	CONSOLE PLATE W/CHOKE
64	523031	PTO SWITCH - NOT SHOWN
65	101039	#10-24 X 5/8 PAN HD SCREW
66	104252	#10-24 NYLOC NUT
67	593043	THROTTLE CONTROL
68	423027	IGNITION SWITCH - NOT SHOWN
69	107503	5/16-18 X 3/4 CARR HEAD
70	104256	5/16-18 NYLOC NUT
71	105258	5/16 STD FLAT WASHER
72	353233	FLOOR PAN
73	423302	Z-STEP TREAD



## DRIVE ASSEMBLY

ITEM	PART NO.	DESCRIPTION
1	353207	PUMP DRIVE IDLER
2	352026	AXLE SUPPORT
3	353087	IDLER MOUNT
4	422025	TENSIONER W/BUSHING
5	523111	3/4 PLASTIC BUSHING
6	363174	EYE BOLT SPACER
7	423122	PUMP TENSION ROD
8	105005	3/8 LOCK WASHER
9	105260	3/8 STD FLAT WASHER
10	823351	PUMP DRIVE IDLER
11	104257	3/8-16 NYLOC NUT
12	483017	RH IDLER SPACER
13	100299	3/8-16 X 2-3/4 HHCS
14	423175	IDLER PIVOT
15	353089	PUMP IDLER MOUNT
16	100300	3/8-16 ZX 3 HHCS
17	104257	3/8-16 NYLOC NUT
18	109007	3/8-16 WHIZ LOCK NUT
19	107503	5/16-18 X 3/4 CARR BOLT
20	104256	5/16-18 NYLOC NUT
21	100294	3/8-16 X 1-1/2 HHCS
22	107526	3/8-16 X 1 CARR BOLT
23	353112	PUMP BELT
24	553007	IDLER SPRING
25	373089	RETAINING WASHER
26	353101	PULLEY
27	-----	KAWASAKI FS600V – FOR REFERENCE ONLY
28	423285	CLUTCH
29	373070	BELT GUIDE – LONG
30	343146	90 DEGREE DRAIN -KAW BLK
31	423069	7/16 DISC SPRING WASHER
32	100536	5/8-11 X 7 HHCS
33	107260	1/4 X 1/4 X 1.25
34	100277	5/16-18 X 2 HHCS
35	100276	5/16-18 X 1-3/4 HHCS
36	104256	5/16-18 NYLOC NUT
37	363226	5/16 DISC SPRING WASHER

## CONTROL ASSEMBLY – RIGHT HAND

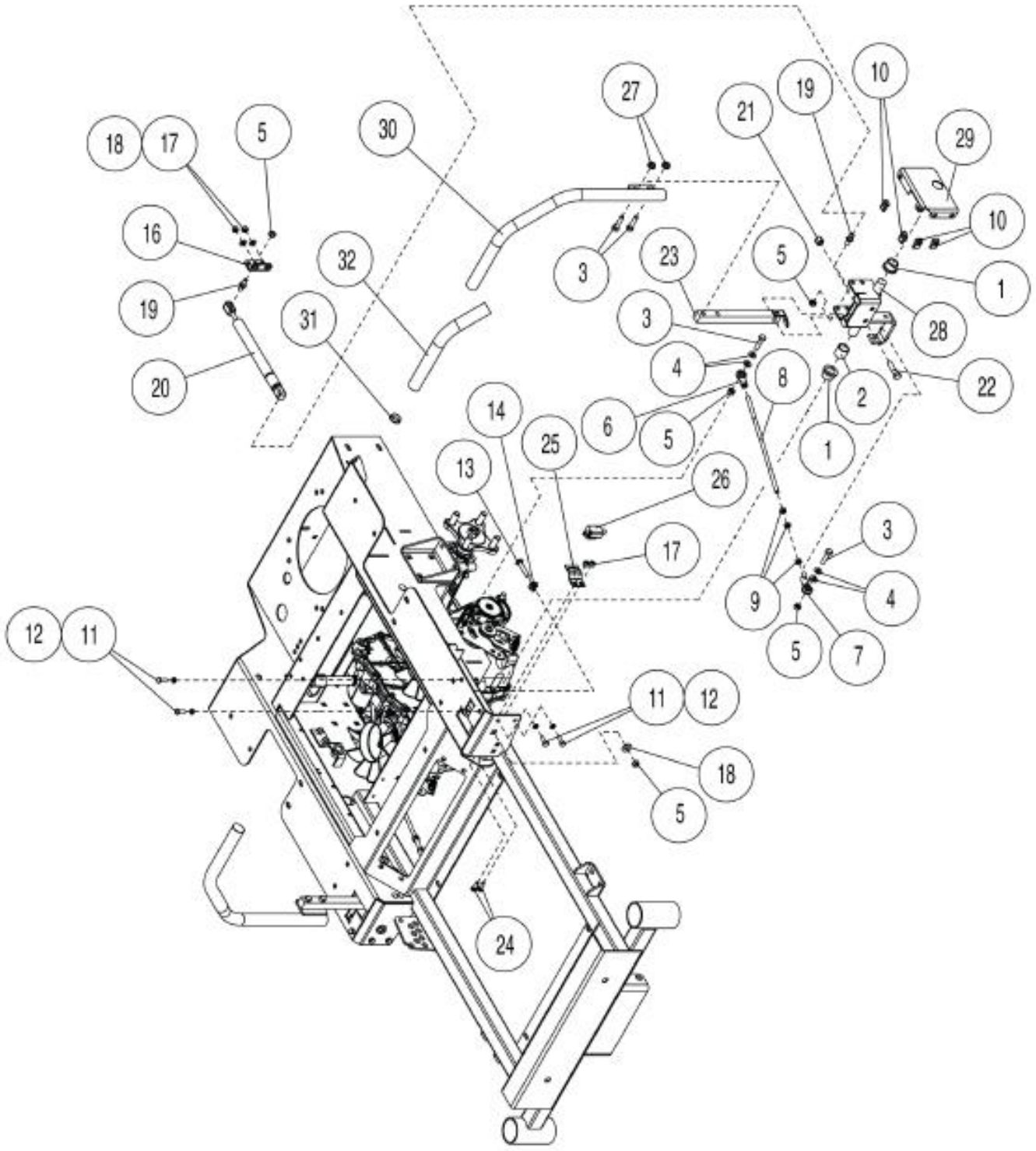


## CONTROL ASSEMBLY – RIGHT HAND

ITEM	PART NO.	DESCRIPTION
1	352004	STEERING CONTROL RT
2	353018	3/4" FLANGE BEARING
3	353024	DRIVE CONTROL SPACER
4	100274	5/16-18 X 1-1/4 HHCS
5	105257	5/16 SAE FLATWASHER
6	104256	5/16-18 NYLOC NUT
7	623095	5/16 LH ROD END (F)
8	453081	.312 ROD END (F)
9	353093	DRIVE LINKAGE
10	104752	5/16-24 JAM NUT
11	353061	RT CONTROL BRACKET
12	109015	1/4-20 NUT CLIP
13	100252	1/4-20 X 3/4 HHCS
14	105004	1/4 STD LOCKWASHER
15	107520	5/16-18 X 1-3/4 TAP CARR BOLT
16	353151	5/16-18 SQ CAGE NUT
17	105258	5/16 STD FLAT WASHER
18	353143	DAMPER MOUNT
19	104255	1/4-20 NYLOC NUT
20	105255	1/4 SAE WASHER
21	823221	10MM BALL STUD
22	583415	DAMPENER/CONTROL
23	104257	3/8-16 HEX NYLOC NUT
24	100294	3/8-16 X 1-1/2 HHCS
25	852052	HANDLE MOUNT
26	107502	1/4-20 X 3/4 CARR BOLT
27	353021	SWITCH BRACKET
28	593041	NEUTRAL SWITCH
29	592041	HANDLE RH W/GRIP
30	523032	HANDLE GRIP
31	523033	HANDLE PLUG
32	109001	5/16-18 WHIZLOCK NUT



## CONTROL ASSEMBLY – LEFT HAND

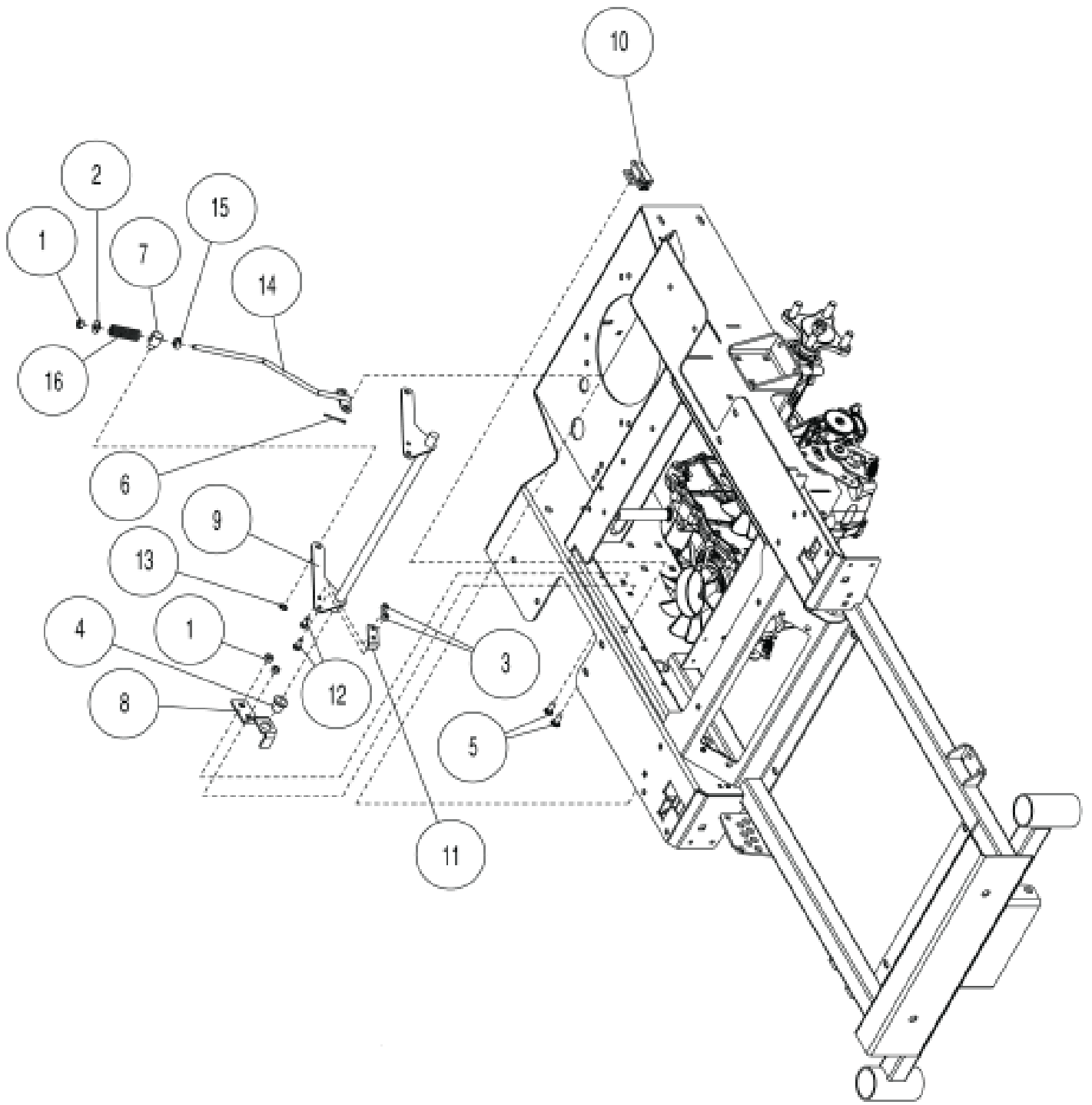




## CONTROL ASSEMBLY – LEFT HAND

ITEM	PART NO.	DESCRIPTION
1	353018	3/4 FLANGE BEARING
2	353024	DRIVE CONTROL SPACER
3	100274	5/16-18 X 1-1/4 HHCS
4	105257	5/16 SAE FLATWASHER
5	104256	5/16-18 NYLOC NUT
6	623095	5/16 LH ROD END (F)
7	453081	.312 ROD END (F)
8	353093	DRIVE LINKAGE
9	104752	5/16-24 JAM NUT
10	109015	1/4-20 X NUT CLIP
11	100252	1/4-20 X 3/4 HHCS
12	105004	1/4 STD LOCKWASHER
13	107520	5/16-18 X 1-3/4 TAP CARR BOLT
14	353151	5/16-18 SQ CAGE NUT
15	105258	5/16 STD FLAT WASHER
16	353143	DAMPER MOUNT
17	104255	1/4-20 NYLOC NUT
18	105255	1/4 SAE WASHER
19	823221	10MM BALL STUD
20	583415	DAMPER / CONTROL
21	104257	3/8-16 NYLOC NUT
22	100294	3/8-16 X 1-1/2 HHCS
23	852052	HANDLE MOUNT
24	107502	1/4-20 X 3/4 CARR BOLT
25	353021	SWITCH BRACKET
26	593041	NEUTRAL SWITCH
27	109001	5/16-18 WHIZLOCK NUT
28	352006	STEERING CONTROL LT
29	353063	LT CONTROL BRACKET
30	592042	HANDLE LH W/GRIP
31	523033	HANDLE PLUG
32	523032	HANDLE GRIP

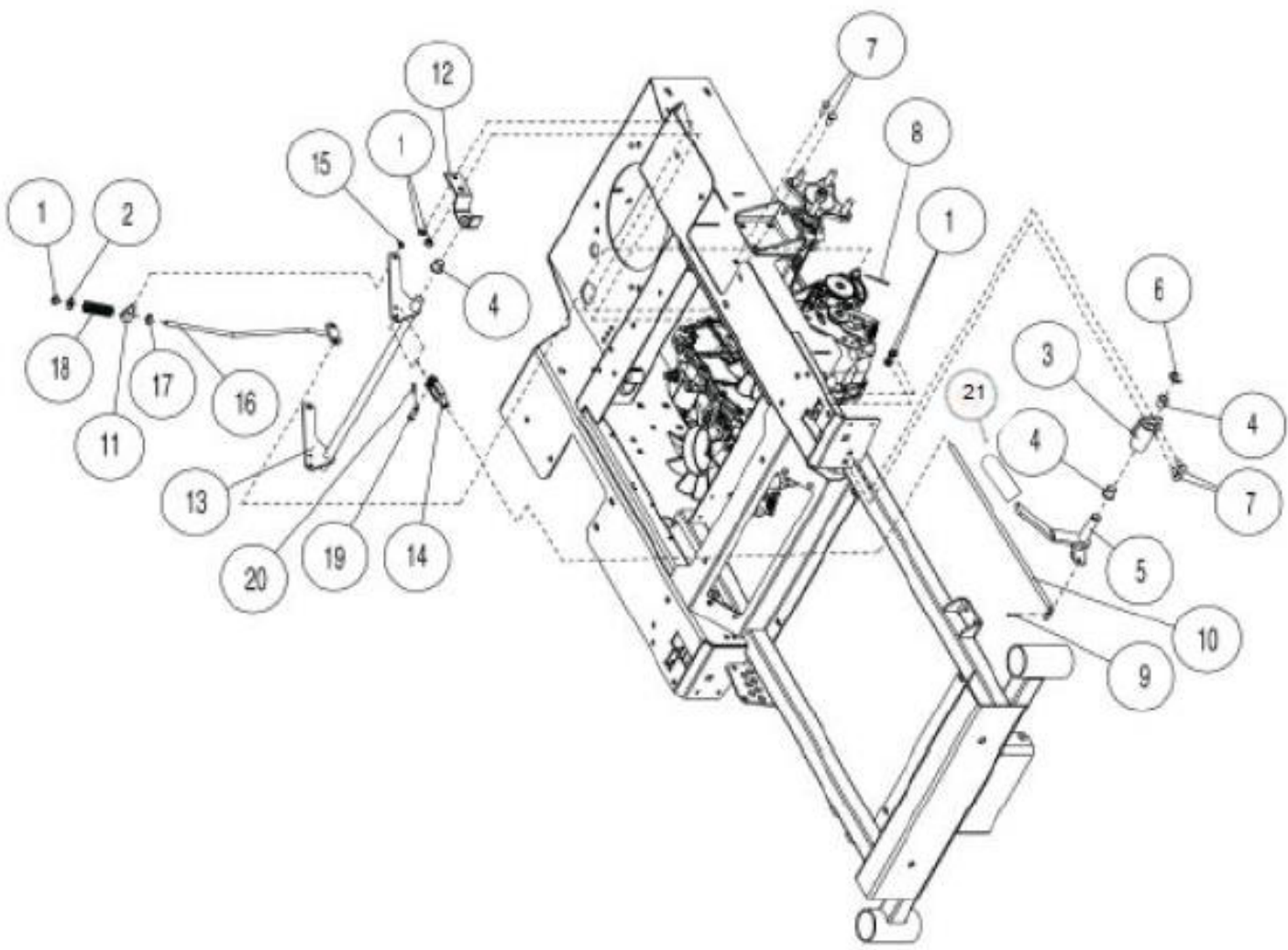
# BRAKE ASSEMBLY – RIGHT HAND



## BRAKE ASSEMBLY – RIGHT HAND

ITEM	PART NO.	DESCRIPTION
1	104256	5/16-18 NYLOC NUT
2	105258	5/16 STD FLAT WASHER
3	104255	1/4-20 NYLOC NUT
4	353057	5/8 FLANGE BUSHING
5	107503	5/16-18 X 3/4 CARR HEAD
6	100271	5/16-18 X 3/4 HHCS
7	423130	PARK BRAKE SWIVEL
8	353224	BRAKE SHAFT MOUNT – RH
9	352020	BRAKE SHAFT
10	523034	PARK BRAKE SWITCH
11	353073	BRAKE SWITCH ACTUATOR
12	100251	1/4-20 X 5/8 HHCS
13	363177	3/8 PUSH NUT
14	352062	LOWER BRAKE LINKAGE
15	523112	5/16 CLAMP COLLAR
16	523024	SPRING

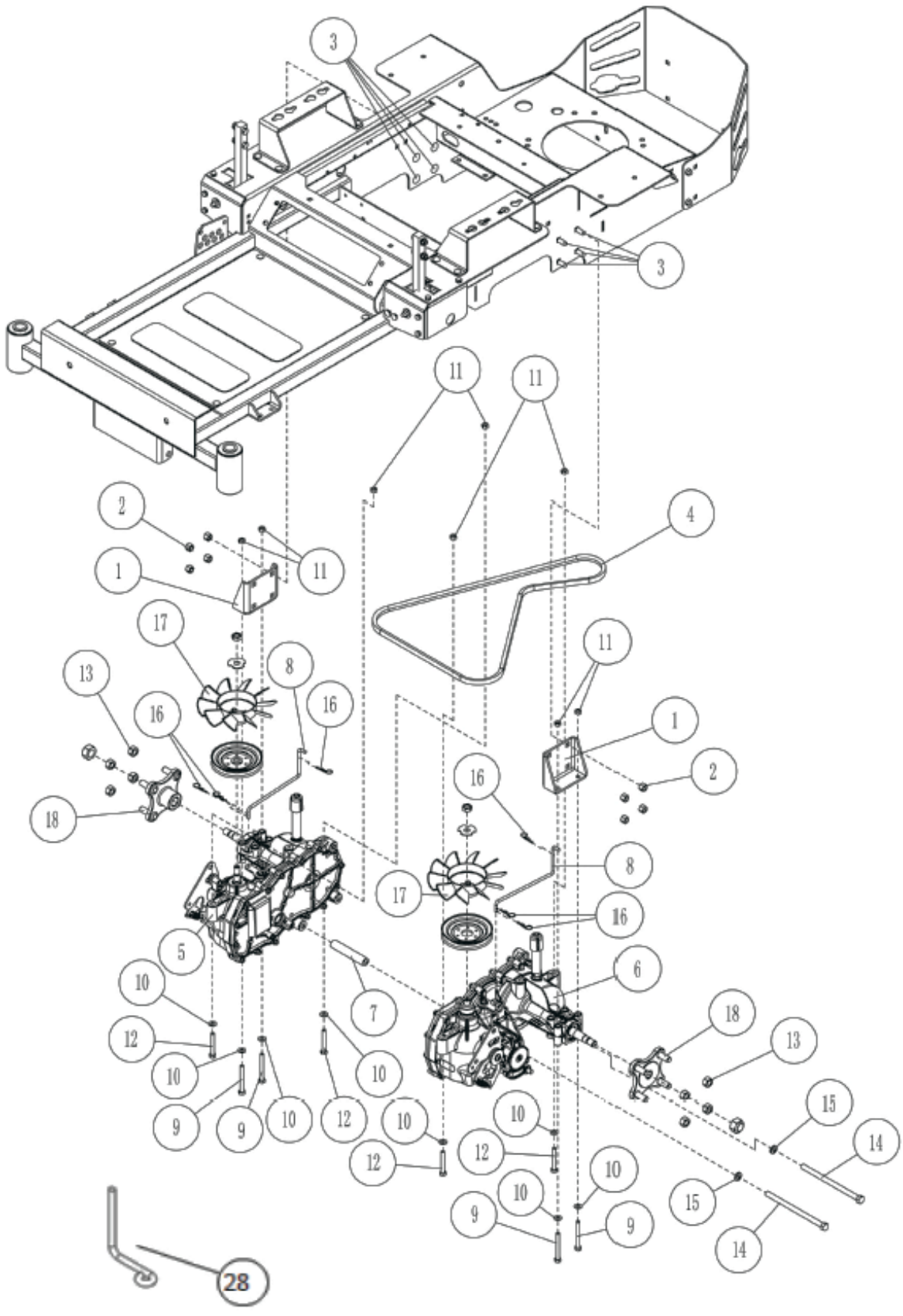
### BRAKE ASSEMBLY – LEFT HAND



## BRAKE ASSEMBLY – LEFT HAND

ITEM	PART NO.	DESCRIPTION
1	104256	5/16-18 NYLOC NUT
2	105256	5/16 STD FLAT WASHER
3	352024	BRAKE LEVER PIVOT
4	353057	5/8 FLANGE BUSHING
5	352022	BRAKE LEVER
6	108500	E-RING FOR 5/8 DIA
7	107503	5/16-18 X 3/4 CARR HEAD
8	100271	5/16 X 3/4 HHCS
9	106753	3/32 X 3/4 COTTER PIN
10	353071	BRAKE LINKAGE
11	423130	PARK BRAKE SWIVEL
12	353225	BRAKE SHAFT MOUNT – LH
13	352020	BRAKE SHAFT
14	363152	YOKE 5/16-24
15	363177	3/8 PUSH NUT
16	352064	LOWER BRAKE LINKAGE – LH
17	523112	5/16 CLAMP COLLAR
18	523024	SPRING
19	363144	CLEVIS PIN 5/16
20	106763	COTTER PIN 1/8 X 3/4

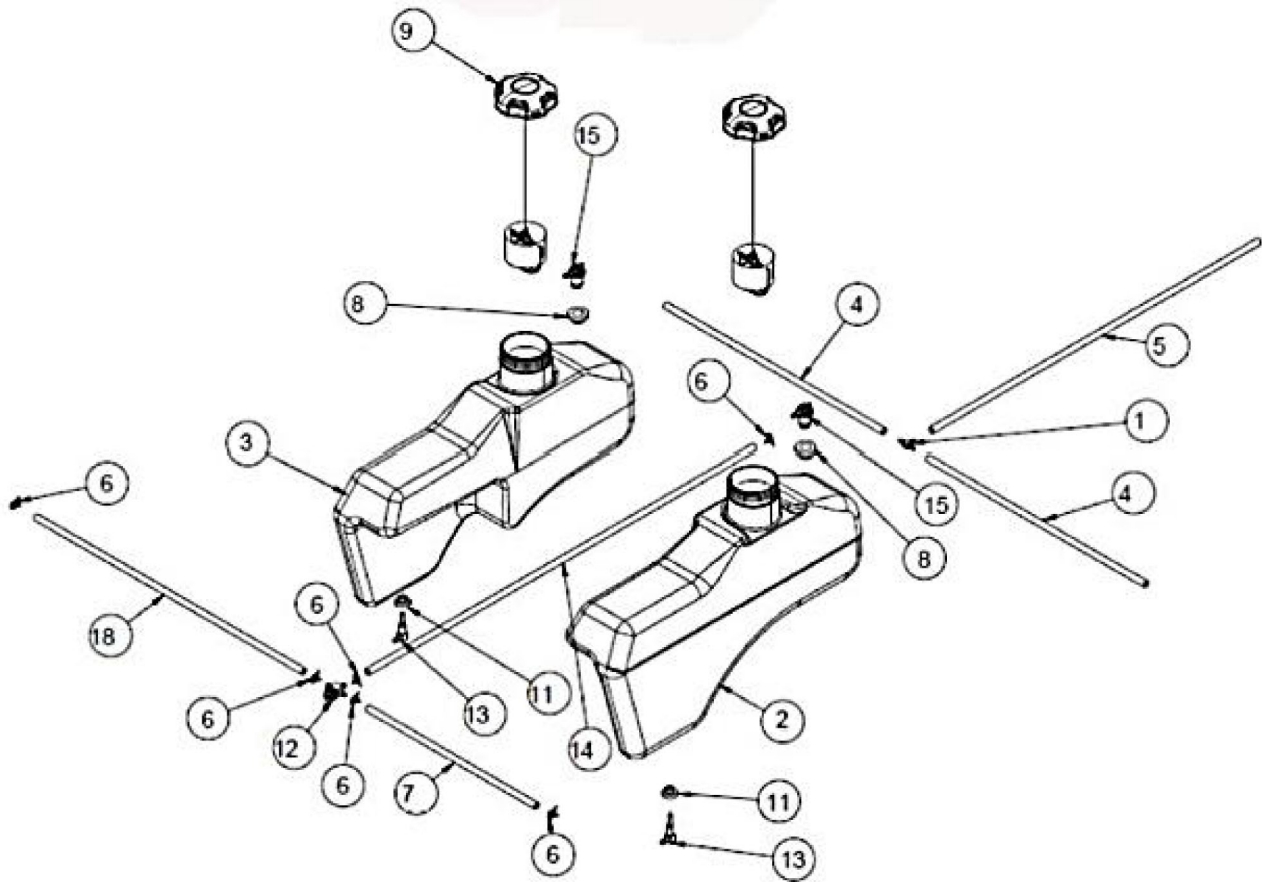
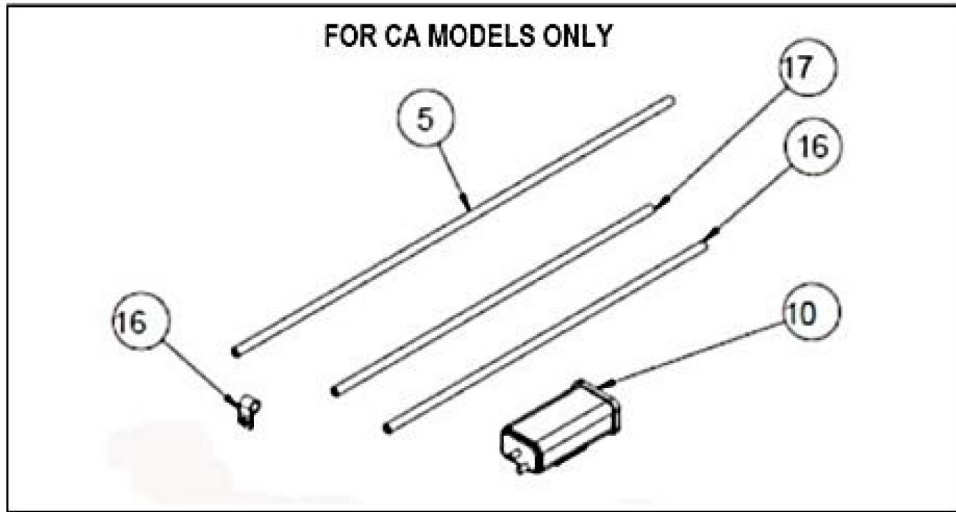
# HYDRO ASSEMBLY



## HYDRO ASSEMBLY

ITEM	PART NO.	DESCRIPTION
1	353013	AXLE MOUNT
2	104257	3/8-16 HEX NYLOC NUT
3	107526	3/8-16 X 1 CARR. BOLT
4	353112	PUMP BELT
5	353228	HYDRO, RH 3100-HYDRO GEAR # ZJ-GMEE-SLLB-1MLX
6	353229	HYDRO, LH 3100- HYDRO GEAR # ZJ-KMEE-SLLC-1MLX
7	353232	TIE ROD
8	353091	BYPASS LINKAGE
9	100280	5/16-18 X 2-3/4 HHCS
10	363226	5/16 DISC SPRING
11	104256	5/16-18 HEX NYLOC NUT
12	100278	5/16-18 X 2-1/4 HHCS
13	103023	1/2-20 LUG NUT
14	100296	3/8-16 X 2 HHCS
15	105006	3/8 LOCKWASHER
16	363165	#3 HAIRPIN COTTER
17	H-72125	FAN & PULLEY KIT
18	H-71446	HUB KIT
19	853119	TANK W/CAP
20	353226	OIL TANK MOUNT
21	353227	HOSE
22	363269	CLAMP
23	353230	ADAPTER
24	353243	OIL TANK CAP
25	100252	1/4-20 X 3/4 HHCS
26	104255	1/4-20 HEX NYLOC NUT
27	105256	1/4 STD FLAT WASHER
28	373070	GUIDE - DECK BELT

# FUEL ASSEMBLY

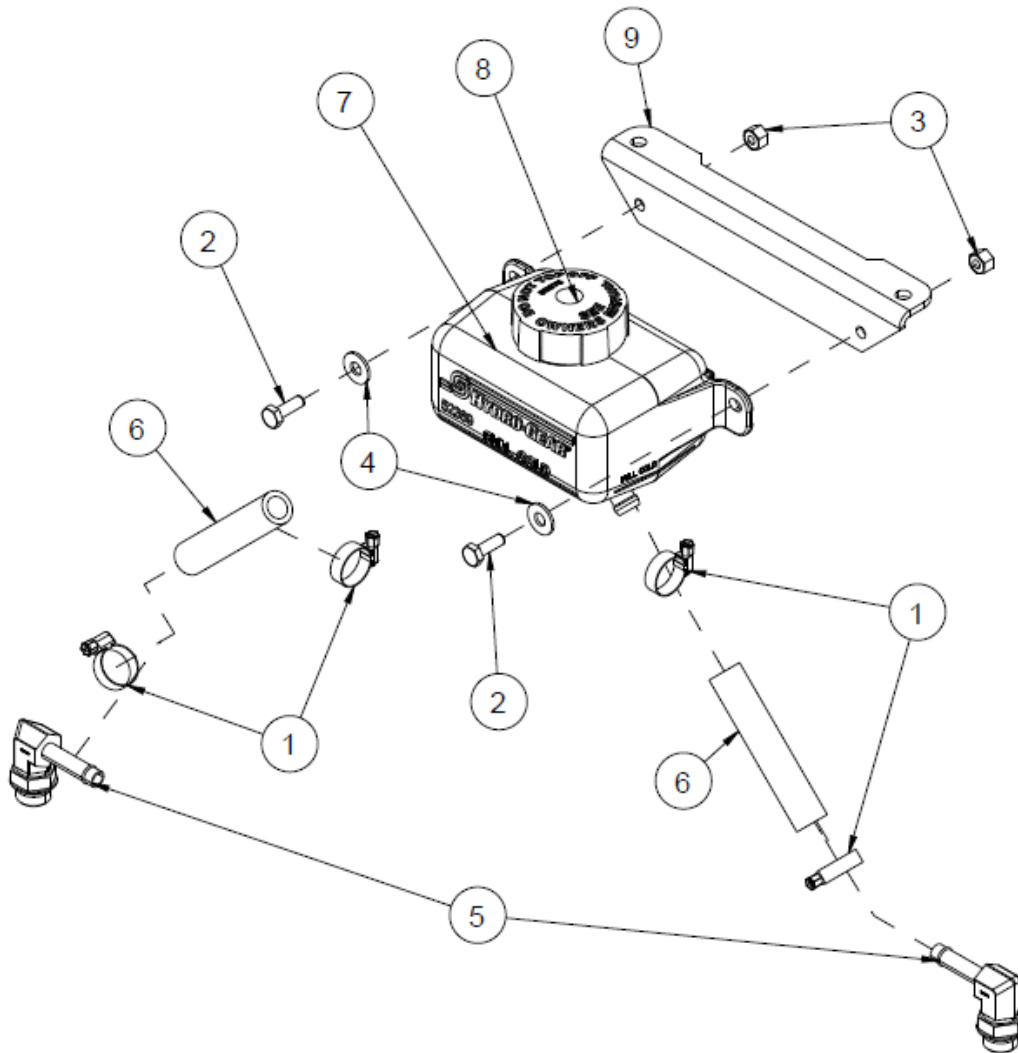




## FUEL ASSEMBLY

ITEM	PART NO.	DESCRIPTION
1	623196	FTG FUEL TEE .25 BRASS BARBED
2	353254	TANK, LOW PERM FUEL LH
3	353253	TANK, LOW PERM FUEL RH
4	353223	HOSE, VENT 3/16 X 22"
5	353242	HOSE, VENT 3/16 X 33"
6	363098	FUEL LINE CLAMP
7	363099	FUEL LINE 17"
8	363412	GROMMET, VENT
9	363413	FUEL CAP – LARGE
10	353213	CARBON CANISTER 320CC
11	533125	VALVE GROMMET
12	583050	FUEL VALVE
13	583183	FUEL TANK ADAPTER
14	583185	FUEL LINE RH
15	593370	REMOTE VENT
16	603031	DRAIN CLAMP
17	623531	FUEL LINE (3/16 X 24")
18	823315	FUEL LINE – 27"

## HYDRO TANK ASSEMBLY

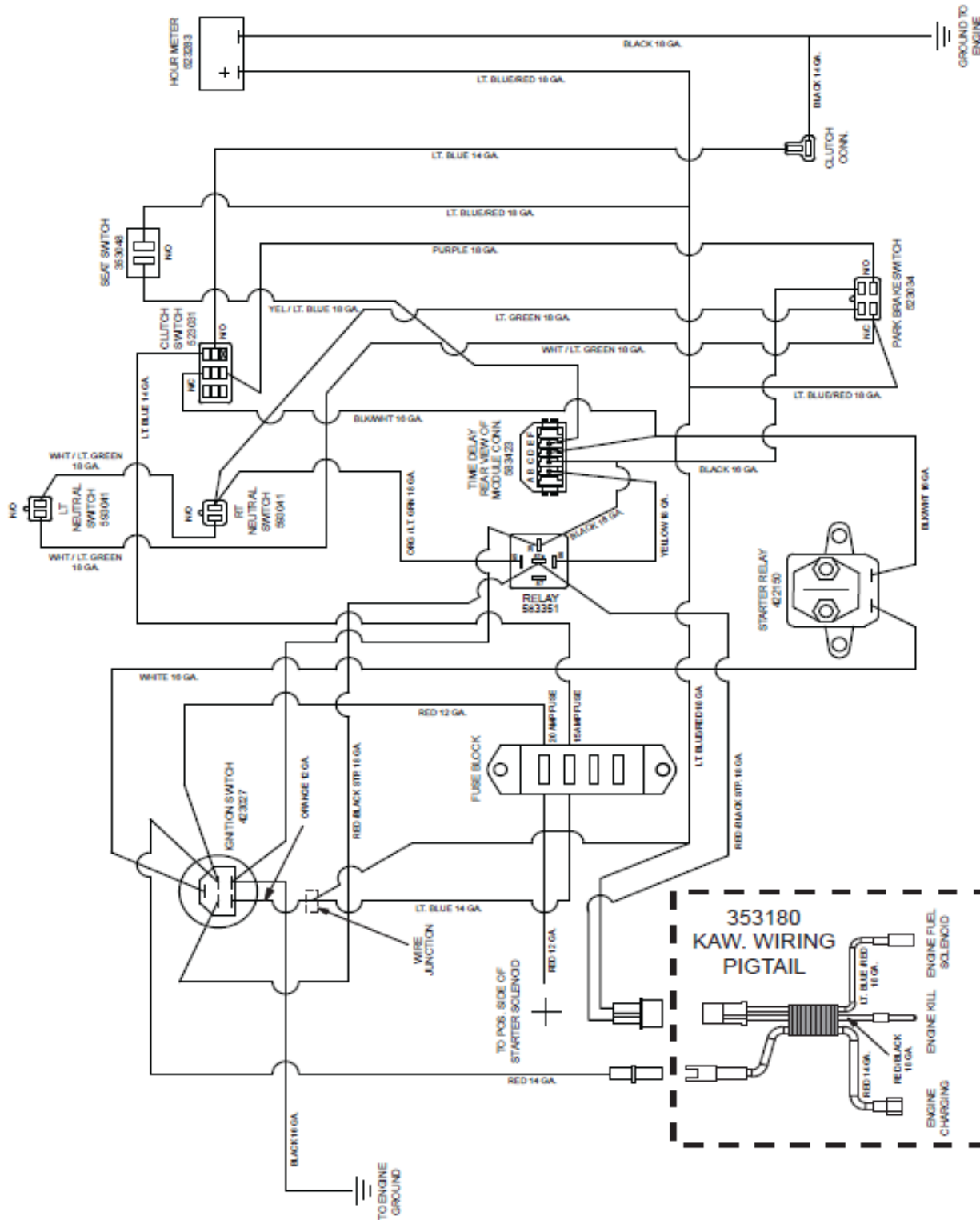


ITEM	PART NO.	DESCRIPTION
1	363269	FUEL VALVE CLAMP
2	100252	1/4-20 X 3/4 HHCS
3	104255	1/4-20 HEX NYLOC NUT
4	105256	1/4 STD FLAT WASHER
5	353264	ADPT, EXPANSION TANK
6	353257	HOSE, EXPANSION TANK
7	853119	OIL TANK W/CAP
8	353243	CAP, EXPANSION TANK
9	353226	MOUNT, EXPANSION TANK

## ELECTRICAL SYSTEM

WIRING HARNESS FOR FS600V KAWASAKI ENGINE – ENCORE PART #353132


KAWASAKI WIRING PIGTAIL FOR FS600V ENGINE – ENCORE PART #353180



## GATER DECAL ASSEMBLY

**HYDRAULIC BYPASS RELEASE**

- Pull linkage back in the slot and hook it in the notch on both sides.
- Release park brake
- The machine can now be pushed or towed.




- Linkage must be slid forward in the slot for drive on both sides.

353125

**CUTTING HEIGHT**  
TRANSPORT - 4.5"

4.0" - ○  
3.5" - ○  
3.0" - ○  
2.5" - ○  
2.0" - ○  
1.5" - ○  
1.0" - ○



ADD 1/4" WHEN HEIGHT ADJUST TAB IS ROTATED UP.

353129


**FORWARD**

RABBIT

TURTLE

NEUTRAL

REVERSE



353130

PUSH FOOT PEDAL FORWARD AND PULL TOWARD YOU TO RELEASE TRANSPORT LATCH

353131

# 34

353237

**CAUTION**

OPERATE MOWER WITH CHUTE DEFLECTOR BOLTED IN PLACE, EXCEPT WHEN USED WITH GRASS CATCHER. DO NOT REMOVE GRASS CATCHER UNTIL BLADE OR BLADES HAVE STOPPED.

363001



353260

OIL

SAE 20w 50 ONLY

USE API CD RATED

453010

CHOKE

OFF

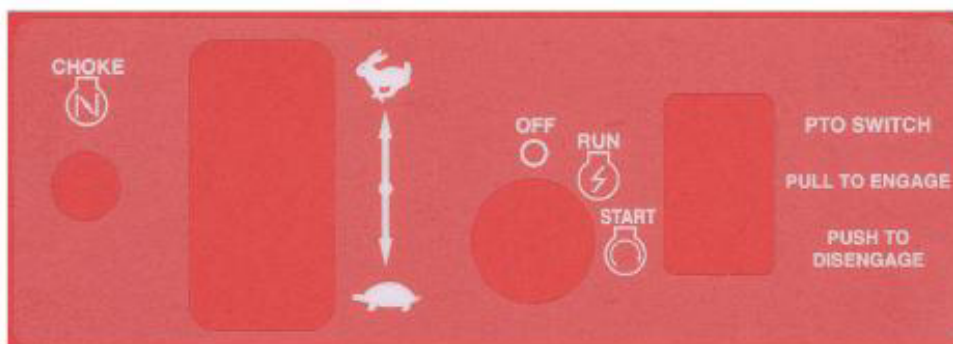
RUN

START

PTO SWITCH

PULL TO ENGAGE

PUSH TO DISENGAGE



353178

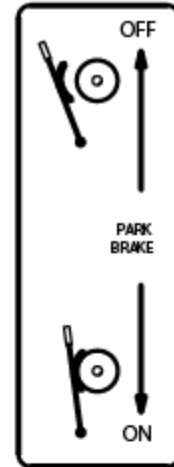
## GATER DECAL ASSEMBLY



363023



823320



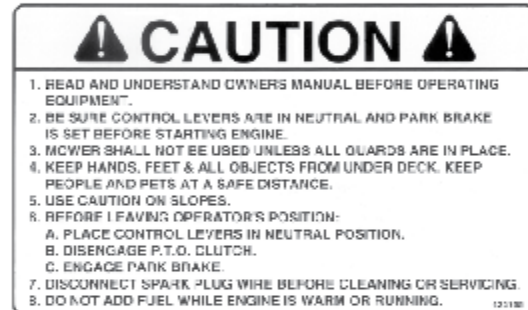
423156



543383



823323



423155



**WORL DLAWN**

543297

WORL DLAWN

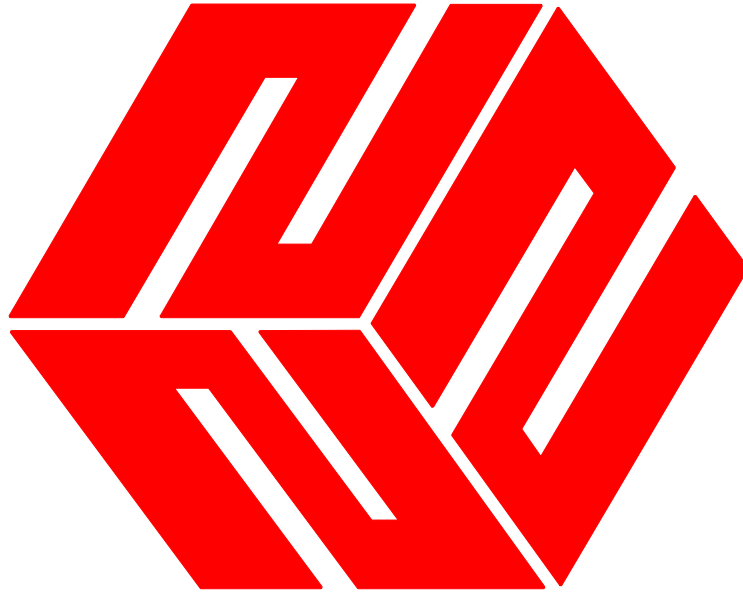
463445

WORL DLAWN

353258







**WORLDLAWN<sup>®</sup>**

ALL RIGHT RESERVED

CONTENTS SUBJECT TO CHANGE

WYZ34FS600V PARTS

MANUAL 933258 202405