



WORLDLAWN®



WYT60CT656SD
WYT72CT724RD

OPERATORS MANUAL



WORLDLAWN®
POWER EQUIPMENT

WORLDLAWN.COM

**401 COMMERCE STREET
BEATRICE, NE 68310**

800-267-4255

FAX – 402-223-4103

Contents

SAFETY	8
SAFETY ALERT SYMBOL.....	8
TRAINING	8
PREPARATION	8
OPERATION.....	9
SLOPE OPERATION.....	10
MAINTENANCE AND STORAGE.....	11
SAFETY AND INSTRUCTIONAL DECALS	12
SPECIFICATIONS	14
MODEL NUMBER	14
WEIGHT & DIMENSIONS.....	14
ENGINE	14
FUEL SYSTEM	14
ELECTRICAL SYSTEM	14
CUTTING DECK.....	14
TIRES.....	14
TORQUE REQUIREMENTS.....	14
OPERATION.....	15
THROTTLE CONTROL.....	15
IGNITION SWITCH.....	15
HOUR METER.....	15
HEIGHT CRANK	15
BLADE ENGAGEMENT SWITCH	15
PRE-START.....	15
OPERATING INSTRUCTIONS.....	16
INTENDED USE.....	16
ATTACHING PULL BEHIND MOWER TO TOW VEHICLE.....	16
STARTING THE ENGINE	16
BLADE ENGAGEMENT	17
DISENGAGING THE BLADES	17
STOPPING THE ENGINE.....	17
ADJUSTING THE CUTTING HEIGHT	17

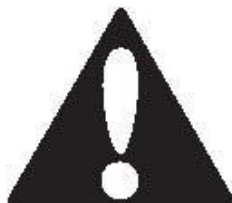
ADJUSTING THE ANTI-SCALP ROLLERS	17
STARTING TO MOW.....	18
TONGUE ADJUSTMENT.....	18
TRANSPORTING	19
TRANSPORTING A UNIT	19
LOADING A UNIT.....	19
MAINTENANCE	20
RECOMMENDED MAINTENANCE SCHEDULE(S).....	21
CHECK ENGINE OIL LEVEL	22
CHECK BATTERY CHARGE	22
RECOMMENDED JUMP STARTING PROCEDURE.....	23
CHECK MOWER BLADES	24
CHECK SAFETY INTERLOCK SYSTEM.....	24
CHECK FOR LOOSE HARDWARE.....	24
SERVICE AIR CLEANER.....	24
CHANGE ENGINE OIL	25
CHANGE ENGINE OIL FILTER.....	25
CHECK TIRE PRESSURES.....	25
CHECK CONDITION OF BELTS.....	25
LUBRICATE GREASE FITTINGS.....	25
CASTER WHEEL ROTATION	25
CHECK SPARK PLUGS	25
THREAD LOCKING ADHESIVES	26
COPPER-BASED ANTI-SEIZE.....	26
DIELECTRIC GREASE	26
CASTER PIVOT BEARINGS PRE-LOAD AND LUBRICATION.....	26
CHECK V-BELTS	26
ADJUSTMENTS.....	27
DECK LEVELING	27
CLEAN ALL DEBRIS FROM ENGINE AND EXHAUST SYSTEM AREA.	28
CLEAN DUST AND DIRT FROM CYLINDER HEAD FINS.	28
CLEAN DEBRIS FROM MACHINE	29
CLEAN GRASS BUILD-UP UNDER DECK.....	29

TROUBLESHOOTING.....	30
STORAGE	32
WINTER STORAGE.....	32
WIRING SCHEMATICS.....	33
LIMITED WARRANTY	34

SAFETY

SAFETY ALERT SYMBOL

This symbol means: **ATTENTION! BECOME ALERT! YOUR SAFETY IS INVOLVED!**



The safety alert symbol appears above information which alerts you to unsafe actions or situations and will be followed by the word **DANGER, WARNING, or CAUTION.**

 **DANGER:** White lettering/Red background.

Indicates an imminently hazardous situation which, if not avoided, will result in death or serious injury.

 **WARNING:** Black letters on orange background.

Indicates a potentially hazardous situation which, if not avoided, could result in death or serious injury.

 **CAUTION:** Black letters on yellow background.

Indicates a potentially hazardous situation which, if not avoided, may result in minor or moderate injury. It may also be used to alert against unsafe practices

TRAINING

- Read the instructions carefully. Become familiar with the safe operation of the equipment, operator controls, and safety signs.
- All operators need to be trained before operating this unit.

- Never let children or untrained people operate the equipment without proper instruction.
- Keep everyone, especially children and pets, away from the area of operation. Remember that the operator or user is responsible for accidents or hazards occurring to other people or their property.

PREPARATION

- Evaluate the terrain to determine what accessories and attachments are needed to properly and safely perform the job. Use only accessories and attachments approved by **WORLDLAWN**
- The use of personal protective equipment, such as (but not limited to) safety glasses, hearing protection, substantial footwear and long trousers is highly recommended.



CAUTION

This machine produces sound levels in excess of 85 dBA at the operator's ear and can cause hearing loss through extended periods of exposure.

Wear hearing protection when operating this machine.

- Thoroughly inspect the area where the equipment is to be used and remove all stones, sticks, wires, bones, and other foreign objects which may damage the equipment or cause personal injury to operator or bystanders.
- Check that the operator's presence controls, safety switches, and shields are attached and functioning properly. Do Not operate unless they function properly.

DANGER

In certain conditions gasoline is extremely flammable and highly explosive.

A fire or explosion from gasoline can burn you, others and cause property damage.

- Refuel outdoors, on level ground while engine is cold.
- Never remove fuel cap or add fuel when engine is running or when engine is hot.
- Never fill the fuel tank so that gasoline level rises above the bottom of the filler neck to allow for gasoline expansion and prevent fuel spillage.
- If fuel is spilled, DO NOT attempt to start the engine. Move away from the area of the spill and avoid creating any source of ignition until fuel vapors have dissipated.
- Do not smoke while refueling and stay away from an open flame or where gasoline fumes may be ignited by spark.
- Do not operate without entire exhaust system in place and in proper working condition.
- Do not place any equipment that is leaking gasoline in an enclosed trailer.
- Be sure all fuel tanks and gasoline storage containers have proper caps installed to prevent spillage and minimize vapor escaping into the trailer.

DANGER

In certain conditions during fueling, static electricity can be released causing gasoline vapors to ignite.

A fire or explosion from gasoline can burn you, others, and cause property damage.

- Purchase and store gasoline only in an approved container.
- Always place gasoline containers on the ground away from your vehicle while filling.
- Do not fill gasoline containers inside a vehicle or on a truck or trailer bed because

interior carpets or plastic truck bed liners may insulate the container and slow the loss of any static charge.

- When practical, remove gas powered equipment from the truck or trailer and refuel the equipment with its wheels on the ground.
- If this is not possible, then refuel such equipment on a truck or trailer from a portable container, rather than from a gasoline dispenser nozzle.
- Before fueling, touch a metal surface to minimize the risk of static discharge.
- If a gasoline dispenser nozzle must be used, keep the nozzle in contact with rim of the fuel tank or container opening at all times until fueling is complete.

WARNING

Gasoline is harmful or fatal if swallowed. Long-term exposure to vapors and failure to use caution may cause serious injury or illness.

- **Avoid prolonged breathing of vapors.**
- **Keep face away from nozzle and gas tank/container opening.**
- **Keep away from eyes and skin.**
- **Never siphon by mouth.**

OPERATION

Although hazard control and accident prevention are partially dependent upon the design and configuration of the equipment, these factors are also dependent upon the awareness, concern and proper training of the personnel involved in the operation, transport, maintenance and the storage of the equipment. It is essential that all Operator Safety Mechanisms be connected and in operating condition prior to use for mowing.

WARNING

Operating engine parts, especially the muffler, become extremely hot. Severe burns can occur on contact and debris,

such as leaves, grass, brush, etc. can catch fire.

- Allow engine parts, especially the muffler, to cool before touching.
- Remove accumulated debris from muffler and engine area.



WARNING

Engine exhaust contains carbon monoxide, which is an odorless deadly poison that can kill you.

Do Not run engine indoors or in a small confined area where dangerous carbon monoxide fumes can collect.

- Operate only in daylight or good artificial light, keeping away from holes and hidden hazards.
- Be sure all drives are in neutral before starting engine.
- Never raise deck with blades running.
- Never operate the mower with damaged guards, shields, or covers. Always have safety shields, guards, switches and other devices in place and in proper working condition.
- Stop engine, wait for all moving parts to stop:
 - Before refueling.
 - Before making height adjustments.
- Park machine on level ground. Stop engine, wait for all moving parts to stop and remove key:
 - Before checking, cleaning or working on the mower.
 - After striking a foreign object or machine develops an abnormal vibration (inspect machine for damage and repair before resuming operation).
 - Before clearing blockages.
 - Before leaving the operator position.
- Never mow with the discharge deflector raised, removed or altered unless there is a

grass collection system or mulch kit in place and working properly.

- Do Not change the engine governor setting or overspeed the engine.



WARNING

Hands, feet, hair, clothing, or accessories can become entangled in rotating parts. Contact with rotating parts can cause traumatic amputation or severe lacerations.

Do Not operate the machine without guards, shields, and safety devices in place and working properly.

Keep hands, feet, hair, jewelry, or clothing away from rotating parts. Keep hands and feet from under deck when PTO is engaged.

DO NOT operate the mower when people, especially children, or pets are in the area. Never carry passengers.

- Stop the blades, slow down, and use caution when transporting the mower to and from the area to be mowed or crossing surfaces other than grass.
- Do not operate the mower under the influence of alcohol or drugs.
- Be alert, slow down and use caution when making turns. Look behind and to the side before changing directions.
- Use extreme care when loading and unloading the machine into a trailer or truck.
- Be aware of the mower discharge path and direct discharge away from others.
- Use care when approaching blind corners, shrubs, trees, or other objects that may obscure vision.
- Always wear eye protection when operating machine.

SLOPE OPERATION

Use extreme caution when mowing and/or turning on slopes as loss of traction and/or tip-over could occur. The operator is responsible for the safe operation on slopes.



DANGER

Mowing on wet grass or steep slopes can cause sliding and loss of control.

- **Mow across slopes, never up and down.**
- **Do Not mow slopes when grass is wet.**
- **Do Not mow near drop-offs or near water.**
- **Do Not mow slopes greater than 15 degrees.**
- **Reduce speed and use extreme caution on slopes.**
- **Avoid sudden turns or rapid speed changes.**
- Remove or mark obstacles such as rocks, tree limbs, etc. from the mowing area. Tall grass can hide obstacles.
- Be aware that operating on wet grass, across steep slopes or downhill may cause the mower to lose traction. Loss of traction to the wheels may result in sliding and a loss of steering.
- Watch for ditches, holes, rocks, dips and rises that change the operating angle, as rough terrain could overturn the machine.

MAINTENANCE AND STORAGE

- Before any maintenance, disengage drives, lower implement, stop engine and remove key or disconnect spark plug wire. Wait for all moving parts to stop before adjusting, cleaning or repairing.
- Park machine on level ground. Never allow untrained personnel to service machine
- For engine maintenance, follow the engine manufacturer's recommendations as stated in the engine manual.
- Keep engine, engine area, free from accumulation of grass, leaves, excessive grease, or oil and other debris. These materials can become combustible and may result in a fire.
- Maximum mowing results and safety can only be achieved if the mower is properly maintained and operated correctly.

- Check all bolts frequently to maintain proper tightness.
- Keep all guards, shields and safety devices in place and in safe working condition.
- All replacement parts must be the same as, or equivalent to, the parts supplied on original equipment.
- Use care when checking blades. Wrap the blade(s) or wear gloves, and use caution when servicing them. Only REPLACE damaged blades, NEVER straighten or weld them.
- Disconnect the battery cable from the negative battery post when the unit will be allowed to sit for more than 30 days without use.
- Store fuel in a container specifically designed for this purpose in a cool, dry place.
- Gasoline powered equipment or fuel containers should not be stored in a basement or any enclosed area where open pilot lights or heat appliances are present.
- Shut off fuel while storing or transporting. Do not store fuel near flames or drain indoors.
- Carefully release pressure from components with stored energy.
- If possible, Do Not make adjustments with the engine running.
- If the machine strikes a foreign object, stop and inspect the machine. Repair, if necessary, before restarting.
- Do not modify safety equipment. Check regularly to be sure it works properly. The machine must not be operated with defective or unmounted protective plate, protective cowlings, safety switches, or other protective devices.
- Regularly clean deck and underside of deck, avoid spraying engine and electrical components with water.

DANGER

Charging or jump starting the battery may produce explosive gasses. Battery gases can explode causing serious injury.

- Keep sparks, flames, or cigarettes away from battery.
- Ventilate when charging or using battery in an enclosed space.
- Make sure venting path of battery is always open once battery is filled with acid.
- Always shield eyes and face from battery.

DANGER

Battery electrolyte contains sulfuric acid, which is poisonous and can cause severe burns. Swallowing electrolyte can be fatal or if it touches skin can cause severe burns.

- Wear safety glasses to shield eyes, and rubber gloves to protect skin and clothing when handling electrolyte.
- Do Not swallow electrolyte.
- In the event of an accident, flush with water and seek medical attention immediately.
- Disconnect battery before making any repairs. Disconnect the negative terminal first and the positive last. Reconnect positive first and negative last.

CAUTION

If the ignition is in the “ON” position there is potential for sparks and engagement of components. Sparks could cause an explosion or moving parts could engage causing personal injury.

Be sure ignition switch is in the “OFF” position before charging the battery.

WARNING

Removing standard, original equipment parts and accessories may alter the warranty, traction, and safety of the machine. Unauthorized changes to the engine, fuel or venting system, may violate EPA and CARB regulations.

SAFETY AND INSTRUCTIONAL DECALS

- Keep all safety signs legible. Remove all grease, dirt and debris from safety signs and instructional labels.
- Replace all worn, damaged, or missing safety signs.
- When replacement components are installed, be sure that current safety signs are affixed to the replaced components.
- If an attachment or accessory has been installed, make sure current safety signs are visible.

New safety signs may be obtained from your authorized WORL DLAWN equipment dealer.

Safety signs may be affixed by peeling off the backing to expose the adhesive surface. Apply only to a clean, dry surface. Smooth to remove any air bubbles.

Familiarize yourself with the following safety signs and instructional labels. They are critical to the safe operation of your machine.



8304



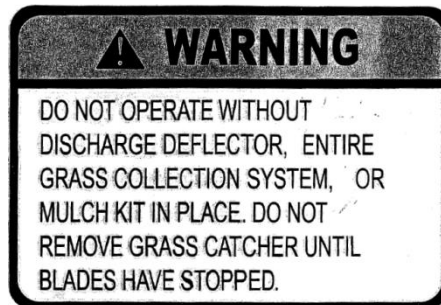
8303



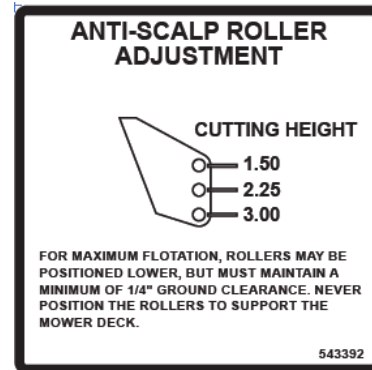
363023



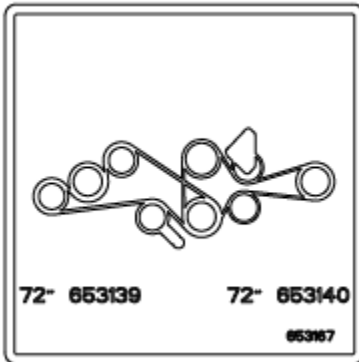
8008



8307



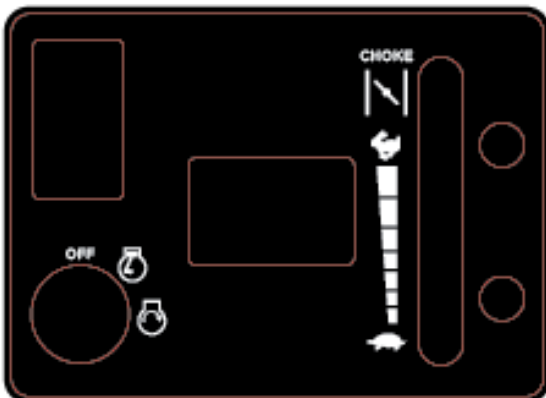
543392



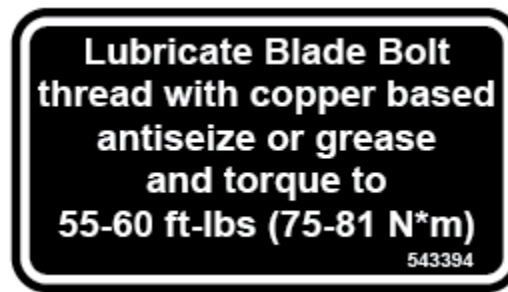
653167



543397



653141



543394

SPECIFICATIONS

MODEL NUMBER

WYT60CT656SD

WYT72CT724RD

WEIGHT & DIMENSIONS

	60"	72"
Width – Deflector Up	61.1"	73.3"
Length	137.6"	141.4"
Height	30.3"	30.3"
Wheelbase	46.5"	51.4"
Curb Weight	425 lbs	810 lbs

ENGINE

60" SD:

Briggs & Stratton CT656 16hp

Specs: See your Engine Owner's Manual

RPM: High Idle: 3600

Low Idle: 1750

72" RD:

Briggs & Stratton CT724 22 HP

Specs: See your Engine Owner's Manual

RPM: High Idle: 3600

Low Idle: 1750

FUEL SYSTEM

- Capacity: 5 Gal
- Type of Fuel: Regular Unleaded Gasoline 87 Octane or higher
- Fuel Filter: In-line

ELECTRICAL SYSTEM

- Charging System: 12 Volt, 15 Amp @ 3600 RPM
- Battery Type: Group UI
- Battery Class: 280 CCA Minimum
- Battery Voltage: 12V DC
- Polarity: Neg. Ground
- Fuses: (1) 15A Main
 - (1) 15A Clutch

CUTTING DECK

- Cutting Width: 60" & 72"
- Discharge: Side & Rear
- Blade Size: 60" 20.5" (3 per)
72" 24.5" (3 per)
- Deck Drive: Electric Clutch
- Deck: 7 ga Welded Steel Floating Deck
- Deck Depth: 5.5"
- Cutting Height: 1.5" to 5.00"

TIRES

60": Front: 13 x 5.00-6 Turf

Pressure 12-14 psi (83-97 kPa)

Rear: 13 x 5.00-6 Turf

Pressure: 12-14 psi (83-97 kPa)

72": Front 13 x 6.5-6 Turf

Pressure 12-14 psi (83-97 kPa)

Rear: 13 x 6.5-6 Turf

Pressure 12-14 psi (83-97 kPa)

TORQUE REQUIREMENTS

BOLT LOCATION	TORQUE
CUTTER HOUSING NUT	130-160 ft/lb
BLADE BOLT	50-60 ft/lb
ENGINE MOUNTING BOLTS BRIGGS CT	17 ft/lb
CLUTCH RETAINING BOLT	50-55 ft/lb

OPERATION

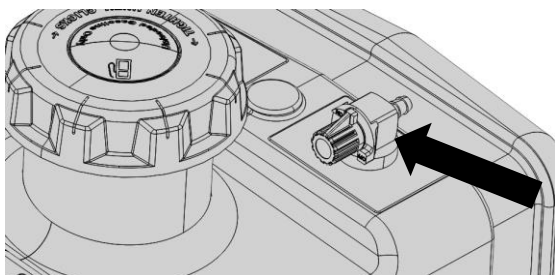
THROTTLE CONTROL

The red paddle located on the control console. The throttle is used to control engine speed. Moving the throttle lever forward will increase engine speed and moving the throttle lever to the rear will decrease engine speed. Moving the throttle forward into the detent is full throttle. Moving past detent will move the choke into the “on” position.



FUEL SHUT-OFF VALVE

Located on fuel tank.



The fuel shut-off valve is used to shut off the fuel when the machine will not be used for a few days, during transport to and from the jobsite, and when parked inside a building.

IGNITION SWITCH

Located on the control console.

The ignition switch is used to start and stop the engine. The switch has three positions “OFF”, “ON” and “START”. Insert key into switch and rotate clockwise to the “ON” position. Rotate clockwise to the next position to engage the starter (key must be held against spring pressure in this position). Allow the key to

return to the “ON” position immediately after the engine starts. **NOTE:** To start the engine, blade switch must be off.

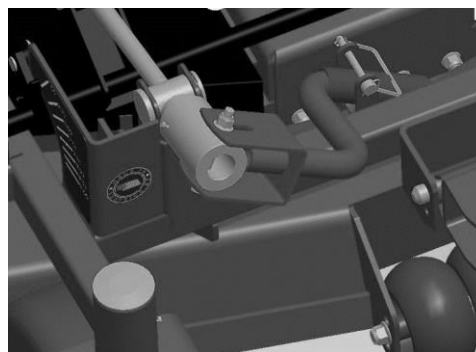
HOURLY METER

Located on the control console

The hour meter records the number of hours that the engine has run.

HEIGHT CRANK

Located at the right front corner of the mower.



BLADE ENGAGEMENT SWITCH

Located on console.

Switch must be pulled out (up) to engage the blades. Switch is pushed in to disengage the blades.

PRE-START

Fill fuel tank on level ground. For best results use only clean, fresh regular grade unleaded gasoline with an octane rating of 87 or higher.

IMPORTANT: Never use methanol, gasoline containing methanol, gasohol containing more than 10% ethanol (E15 or E85), or white gas. Performance issues may result. Also the fuel system and/or engine could be damaged which may not be covered under warranty.

It is acceptable to use oxygenated fuel with up to a maximum 10% ethanol or 15% MTBE by volume.

Do Not add oil to gasoline.

Do Not over fill fuel tank. Fill the fuel tank to the bottom of the filler neck. The empty space in the tank allows gasoline to expand. Overfilling may result in fuel leakage or damage to the engine or emission system.

Make sure you understand the controls, their locations, their functions, and their safety requirements.

Refer to the Maintenance section and perform all the necessary inspection and maintenance steps.

OPERATING INSTRUCTIONS

- Perform daily maintenance.
- Check fuel level.
- Open Fuel valve.

INTENDED USE

- This Pull Behind mower is designed to produce a quality finish cut on lawns. It is NOT designed to clear brush or cut saplings. Your Pull Behind mower should be towed behind an ATV, a golf cart, lawn tractor, or similar approved vehicle. It is not meant for speeds exceeding 5 MPH.

ATTACHING PULL BEHIND MOWER TO TOW VEHICLE

- Refer to vehicle owners' manual for recommendations and proper connections to the vehicle used to tow the mower. Make certain the vehicle can handle towing attachments. Some vehicles may require a strengthened draw bar to tow the mower.
- Place mower behind vehicle and back vehicle up to desired attaching position.
- When offsetting your Pull Behind Mower do so to the side opposite the discharge of the tow vehicle.
- Attach swivel hitch to a 2" ball coupler on the vehicle tow receiver.

- Check that the 2" ball coupler is connected correctly and locking pin is installed.

STARTING THE ENGINE

1. Push in (down) on the PTO switch to the "disengage" position.
2. Place the throttle midway between the "SLOW" and "FAST" positions.
3. On a cold engine, push throttle past detent into the choke "ON" position.

On a warm engine, leave the choke in the "OFF" position.

4. Turn ignition switch to the "START" position. Release the switch as soon as the engine starts.

IMPORTANT: Do Not crank the engine continuously for more than ten seconds at a time. If the engine does not start, allow a 60 second cool-down period between starting attempts. Failure to follow these guidelines can burn out the starter motor.

5. If the choke is in the "ON" position, gradually return choke to the "OFF" position as the engine warms up.

BLADE ENGAGEMENT



The rotating blades under the mower deck are dangerous. Blade contact can cause serious injury or death.

Do Not put hands or feet under the mower or mower deck when the blades are engaged.



An uncovered discharge opening will allow objects to be thrown in an operator's or bystander's direction. Also, contact with the blade could occur. Thrown objects or blade contact can cause serious injury or death.

Never operate the mower with the discharge deflector raised, removed, or altered unless there is a grass collection system or mulch kit in place and working properly.

The PTO switch engages the cutting blades. Be sure all persons are clear of mower deck and discharge area before engaging the PTO.

1. Set throttle to an intermediate position between slow and fast.
2. Pull up on the blade control switch (PTO). The clutch should engage and the mower blades begin rotating.
3. If engage PTO stalls engine, try partially choking the engine. When PTO is engaged return choke to OPEN.
4. Place the throttle in the "FAST" position to begin mowing.

DISENGAGING THE BLADES

1. Set the throttle midway between the "SLOW" and "FAST" positions.
2. Push down on the PTO switch to disengage the blades.

STOPPING THE ENGINE

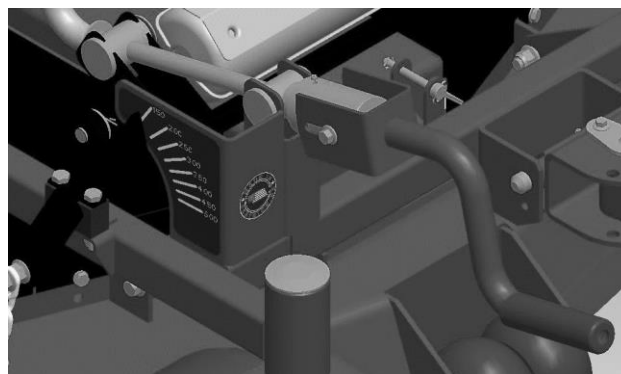
1. Bring the unit to a full stop.
2. Push down on the PTO switch to disengage the blades.
3. Place the throttle midway between the "SLOW" and "FAST" positions.
4. Turn the ignition switch to the "OFF" position to stop the engine.
5. Remove the key to prevent children or other unauthorized persons from starting engine
6. Shut off fuel.

ADJUSTING THE CUTTING HEIGHT

The cutting height of the mower deck is adjusted from 1.5 to 5.00 inches (3.8 cm to 12.7 cm) in infinite increments.

1. Disengage the PTO.
2. Unfold crank handle from operating position and slide into adjustment position by pushing crank into the pivot bushing.
3. Rotate handle clockwise or counter clockwise to desired height based on the deck height gauge.

Note: When changing the cutting height positions, always come to a complete stop and disengage the PTO.

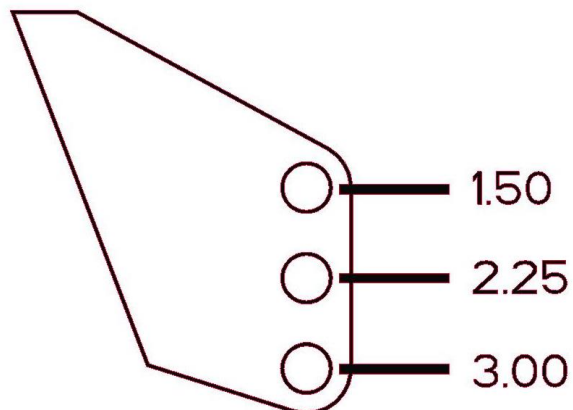


ADJUSTING THE ANTI-SCALP ROLLERS

It is recommended to change the anti-scalp roller position, when the height of cut has changed.

1. Disengage the PTO.
2. Stop the engine, remove the key and wait for all moving parts to stop.

- Place the rollers in one of the positions shown. Rollers will maintain 3/4 inch (19 mm) clearance to the ground to minimize gouging and roller wear or damage.



For cutting heights above 3.5 inches (90 mm) use the bottom hole. The rollers will still be effective against scalping.

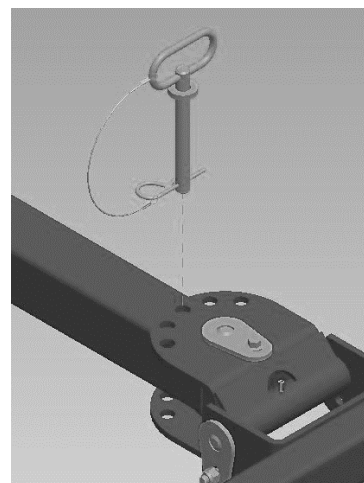
For Maximum Deck flotation, place the rollers one hole position lower. Rollers should maintain 1/4 (6.4 mm) clearance to the ground. **Do Not** adjust the rollers to support the deck.

STARTING TO MOW

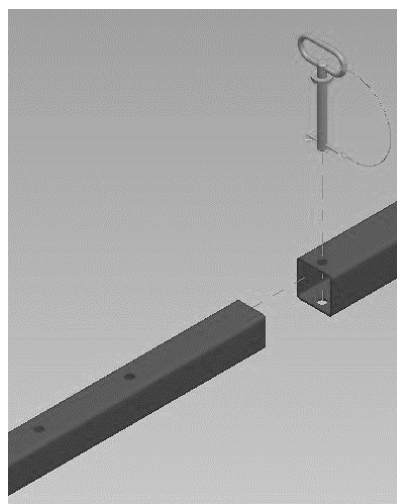
- Adjust the cutting height.
- Double check vehicle to mower attachment.
- Start mower engine properly.
- Pull up on the blade control switch (PTO). The clutch should engage and the mower blades begin rotating.
- Carefully mount tow vehicle and start mowing slowly.

TONGUE ADJUSTMENT

- Disengage the PTO.
- Stop the engine, remove the key and wait for all moving parts to stop.
- To offset tongue, remove hitch pin, place tongue in desired angle and re-install hitch pin.



- To lengthen or shorten tongue, remove hitch pin from the middle of the tongue, lengthen or shorten tongue to desired position, re-install hitch pin.



TRANSPORTING

TRANSPORTING A UNIT

Use a heavy-duty trailer or truck to transport the machine. Lock brake and block wheels.

Securely fasten the machine to the trailer or truck with straps, chains, cable, or ropes. Be sure that the trailer or truck has all necessary lighting and marking as required by law.

Secure a trailer with a safety chain.



CAUTION

This unit does not have proper turn signals, lights, reflective markings, or a slow moving vehicle emblem. Driving on a street or roadway without such equipment is dangerous and can lead to accidents causing personal injury. Driving on a street or roadway without such equipment may also be a violation of State laws and the operator may be subject to traffic tickets and/or fines.

Do Not drive a unit on a public street or roadway.

LOADING A UNIT

Use extreme caution when loading units on trailers or trucks. Backing unit onto trailer or truck is recommended practice.

Having a full width ramp provides a surface for the frame members to contact if the unit starts to tip backward. If it is not possible to use one full width ramp, use enough individual ramps to simulate a full width continuous ramp. The ramp should be long enough so that the angles between the ramp and the ground and the ramp and the trailer or truck do not exceed 15 degrees. A steeper angle may cause mower deck components to get caught as the unit moves from ramp to trailer or truck. Steeper angles may also cause the unit to tip backward. If loading on or near a slope, position the trailer or truck so it is on the down side of the slope and the ramp extends up the slope. This will minimize the ramp angle. The trailer or truck should be as level as possible.

IMPORTANT: Do Not attempt to turn the unit while on the ramp, you may lose control and drive off the side.

Avoid sudden acceleration or sudden deceleration when loading or unloading. Both maneuvers can cause the unit to tip backward.

MAINTENANCE

Note: The *left* and *right* side of the machine is determined by sitting in the normal operator's position of pulling vehicle.



WARNING

Remove the key from the ignition switch, engage parking brake, and pull the wire(s) off the spark plug(s) before you do any maintenance. Also push the wire(s) aside so accidental contact with the spark plug does not occur.

While maintenance or adjustments are being made, someone could start the engine. Accidental starting of the engine could seriously injure you or other bystanders.



WARNING

Allow the engine to cool completely before service or making repairs around the engine area.

The engine can become very hot. Touching a hot engine can cause severe burns.

RECOMMENDED MAINTENANCE SCHEDULE(S)

Maintenance Service Interval	Maintenance Procedure
Before each use or daily	<ul style="list-style-type: none"> • Check the engine oil level • Check the mower blades • Check the safety interlock system • Check for loose hardware • Check for belt obstructions • Check for fuel and oil leakage • Clean the engine and exhaust system area • Clean the grass and debris build-up from the machine and cutting deck, including under the deck
After the first 8 hours	<ul style="list-style-type: none"> • Change the engine oil
Every 40 hours	<ul style="list-style-type: none"> • Check the condition of the belts • Check the tire pressures • Lubricate the caster wheel bearings
Every 100 hours	<ul style="list-style-type: none"> • Clean dust and dirt from cylinder and cylinder head fins • Change engine oil • Check V-Belts • Clean and regap spark plugs
Every 200 hours	<ul style="list-style-type: none"> • Check front caster wheel rotation • Change engine oil filter
Every 250 hours	<ul style="list-style-type: none"> • Replace the primary air cleaner • Check secondary air cleaner – replace if dirty. See the Engine manual for additional information
Every 500 hours	<ul style="list-style-type: none"> • Replace the secondary air cleaner. See the Engine manual for additional information.
Monthly	<ul style="list-style-type: none"> • Check the battery charge
Yearly	<ul style="list-style-type: none"> • Grease the front caster pivots, deck crank and trunnion

CHECK ENGINE OIL LEVEL

Check the engine oil daily before starting the engine otherwise shortage of the engine oil may cause serious damage to the engine such as seizure.

- Place the engine on a level surface. Clean area around the oil gauge before removing it.
- Remove the oil gauge and wipe it with a clean cloth.
- Reinsert the oil gauge to check the oil level. The level should be between “ADD” and “FULL” marks. Do not overfill.
- Install and tighten the oil gauge



CAUTION

Do not fill above the “FULL” mark. Excess oil will cause a smoking condition, and may cause the engine to overheat.

CHECK BATTERY CHARGE

Service Interval: Monthly

IMPORTANT INFORMATION

Do not attempt to open or remove caps or covers. Adding or checking level of electrolyte is not necessary.

Always use two wrenches for the terminal screws.



WARNING

Do not short battery terminals by allowing a wrench or any other object to contact both terminals at the same time. Before connecting battery, remove metal bracelets, wristwatch bands, rings, etc.

Positive terminal must be connected first to prevent sparks from accidental grounding.



WARNING

CALIFORNIA PROPOSITION 65

BATTERY POSTS, TERMINALS, AND RELATED ACCESSORIES CONTAIN LEAD AND LEAD COMPOUNDS, CHEMICALS KNOWN TO THE STATE OF CALIFORNIA TO CAUSE CANCER AND REPRODUCTIVE HARM. WASH HANDS AFTER HANDLING.

Allowing batteries to stand for an extended period of time without recharging them will result in reduced performance and service life. To preserve optimum battery performance and life, recharge batteries in storage when the open circuit voltage drops to 12.4 volts.

NOTE: To prevent damage due to freezing, battery should be fully charged before putting away for winter storage.

Check the voltage of the battery with a digital voltmeter. Locate the voltage reading of the battery in the table and charge the battery for the recommended time interval to bring the charge up to a full charge of 12.6 volts or greater.

IMPORTANT: Make sure the negative battery cable is disconnected and the battery charger used for charging the battery has an output of 16 volts and 7 amps or less to avoid damaging the battery (see chart for recommended charger settings).

Voltage Reading	Percent Charge	Maximum Charger Settings	Charging Interval
12.6 or greater	100%	16 volts/7 amps	No Charging Required
12.4 – 12.6	75%-100%	16 volts/7 amps	30 Minutes
12.2 – 12.4	50- 75%	16 volts/7 amps	1 Hour
12.0 – 12.2	25 – 50%	14.4 volts/4 amps	2 Hours
11.7 – 12.0	0 – 25%	14.4 volts/4 amps	3 Hours
11.7 or less	0%	14.4 volts/2 amps	6 Hours or More

RECOMMENDED JUMP STARTING PROCEDURE

Service Interval: As required

1. Check the weak battery for terminal corrosion (white, green, or blue “snow”), it must be cleaned off prior to jump starting, Clean and tighten connections as necessary.



CAUTION

Corrosion or loose connections can cause unwanted electrical voltage spikes at anytime during the jump starting procedure.

Do Not attempt to jump start with loose or corroded battery terminals or damage to the engine may occur.



DANGER

Jump starting a weak battery that is cracked, frozen, has low electrolyte level, or an open/shorted battery cell, can cause an explosion resulting in serious personal injury.

Do Not jump start a weak battery if these conditions exist.

2. Make sure the booster is a good and fully charged lead acid battery at 12.6 volts or greater. Use properly sized jumper cables (4 to 6 AWG) with short lengths to reduce voltage drop between systems. Make sure the cables are color coded or labeled for the correct polarity.



CAUTION

Connecting the jumper cables incorrectly (wrong polarity) can immediately damage the electrical system.

Be certain of battery terminal polarity and jumper cable polarity when hooking up batteries.

NOTE: The following instructions are adapted from the SAE J1494 Rev. Dec. 2001 – Battery Booster Cables – Surface Vehicle Recommended Practice (SAE – Society of Automotive Engineers).



WARNING

Batteries contain acid and produce explosive gasses.

- **Shield the eyes and face from the batteries at all times.**
- **Do Not lean over the batteries.**

NOTE: Be sure the vent caps are tight and level. Place a damp cloth, if available, over any vent caps on both batteries. Be sure the vehicles do not touch and that both electrical systems are off and at the same rated system voltage. These instructions are for negative ground systems only.

3. Connect the positive (+) cable to the positive (+) terminal of the discharged battery.
4. Connect the other end of the positive cable to the positive terminal of the booster battery.
5. Connect the black negative (-) cable to the other terminal (negative) of the booster battery.
6. **MAKE THE FINAL CONNECTION ON THE ENGINE BLOCK OF THE STALLED VEHICLE (NOT TO THE NEGATIVE POST) AWAY FROM THE BATTERY. STAND BACK.**
7. Start the vehicle and remove the cables in the reverse order of connection (the engine block (black) connection is the first to disconnect).

CHECK MOWER BLADES

Service Interval: Before each use or daily

Stop engine, wait for all moving parts to stop, and remove key.

1. Lift deck and secure in raised position as stated in the **Clean Grass Build-Up Under Deck** section.
2. Inspect blades and sharpen or replace as required.
3. Reinstall the blades (if they were removed) in the following order:
 - A. **72" RD** – Install bushing through blade with flange on bottom (grass) side of blade.
NOTE: Red Blade is for reverse drive on 72" RD
 - B. Install the bushing and blade onto spindle.
 - C. Apply lubricant to threads of blade bolt as needed to prevent seizing. Copper-based anti-seize preferable. Grease acceptable substitute. Install blade bolt finger tight then torque the blade bolts to 50-60 ft-lb (68-81 N-m).



WARNING

Incorrect installation of the blade or components used to retain the blade can be dangerous. Failure to use all original components and assembled as shown could allow a blade or blade component to be thrown out from under the deck resulting in serious personal injury or death.

Always use original equipment, i.e. blades, blade bushings, and blade bolts as shown.



WARNING



Blades are sharp. Protect your hands with gloves and/or wrap blades with a heavy cloth when handling.

CHECK SAFETY INTERLOCK SYSTEM

Service Interval: Before each use or daily



CAUTION

It is essential that operator safety mechanisms be connected and in proper operating condition prior to use.

- Do not tamper with the interlock switch.
- Check the operation of the interlock switches daily and replace any damaged switches before operating the machine.

Note: To prevent engine from running while clutch is engaged at start-up, a safety interlock is used.

1. Check starting circuit. Starter **should** crank with PTO **disengaged**

Try to start with PTO **engaged** – starter **must not crank**.

Note: If machine does not pass any of these tests, do not operate. Contact your authorized **WORL DLAWN service dealer**.

Important: It is essential that operator safety mechanisms be connected and in proper operating condition prior to use for mowing.

CHECK FOR LOOSE HARDWARE

Service Interval: Before each use or daily

1. Stop engine, wait for all moving parts to stop and remove key.
2. Visually inspect machine for any loose hardware or any other possible problem. Tighten hardware or correct problem before operating.

SERVICE AIR CLEANER

Service Interval: 250 Hours

1. Stop engine, wait for all moving parts to stop and remove key.
2. See the Engine Owner's Manual for maintenance instructions.

CHANGE ENGINE OIL

Service Interval: 100 hours

NOTE: Change oil and filter after first eight (8) hours of operation.

1. Stop engine, wait for all moving parts to stop and remove key.
2. Drain oil while engine is warm.
3. The oil drain valve is located on the RH side of the engine. Place the pan under the machine to catch the oil. Loosen the oil drain valve and allow the oil to drain. Tighten the oil drain valve .
4. Clean around oil fill cap and remove cap. Fill to specified capacity and replace cap.
5. Use oil recommended in the Engine Owner's Manual. DO NOT overfill. Wipe up any spilled oil from engine deck mounting surfaces.
6. Start the engine and check for leaks. Stop engine and recheck oil level.

CHANGE ENGINE OIL FILTER

Service Interval: 200 hours

1. Follow steps 1 through 3 above for engine oil change.
2. Replace the oil filter per the engine Owner's Manual. Clean around the oil filter and carefully remove the filter by unscrewing it. Make sure no oil drains onto the belt drive or clutch through the holes in the engine deck. Before the new filter is installed, apply a thin coating of oil on the surface of the rubber seal. Turn filter clockwise until rubber seal contacts the filter adapter, then tighten filter and additional 2/3 to 3/4 turn.
3. Follow steps 4 through 6 above to refill engine oil.

CHECK TIRE PRESSURES

Service Interval: Every 40 hours

1. Stop engine, wait for all moving parts to stop and remove key. Engage parking brake.
2. Check tire pressure.
3. Inflate tires to 15 psi.

CHECK CONDITION OF BELTS

Service Interval: Every 40 hours

1. Stop engine, wait for all moving parts to stop and remove key.
2. Look on the top side of the cutting deck to check the mower blade drive belt condition.
3. Check all idler arms to be sure they pivot freely.

LUBRICATE GREASE FITTINGS

Note: See chart for service intervals.

1. Stop engine, wait for all moving parts to stop and remove key.
2. Lubricate fittings with NGLI #2 multi-purpose grease.

CASTER WHEEL ROTATION

Service Interval: Every 200 hours

Removal and Installation

Remove nut and caster bolt. Pull the wheel out of the fork. Install in reverse order. Tighten caster bolt. Torque to 45 ft-lbs (61Nm), then back nut off 1/2 turn.

NOTE: Tire should rotate freely but axle spacers should not.

If wheels do not rotate freely take the unit to the dealer for service.

Lubrication Chart

FITTING LOCATIONS	INITIAL PUMPS	NUMBER OF PLACES	SERVICE INTERVAL
1. Front Caster Wheel Hubs	1	2	Weekly
2. Front Caster Pivots	0	2	Yearly

CHECK SPARK PLUGS

Service Interval: Every 100 Hours

Remove spark plugs, check condition and reset gaps, or replace with new plugs. See Engine Owner's Manual.

CAUTION

Raising the mower for service or maintenance relying solely on mechanical or hydraulic jacks could be dangerous. The mechanical or hydraulic jacks may not be enough support or may malfunction allowing the unit to fall, which could cause injury.

Do not rely solely on mechanical or hydraulic jacks for support. Use adequate jack stands or equivalent support.

The following procedures should be performed with the vehicle drive wheels off the ground, then repeated under normal operating conditions.

WARNING

POTENTIAL FOR SERIOUS INJURY

Certain procedures require the vehicle engine to be operated and the vehicle to be raised off the ground. To prevent possible injury to the servicing technician and/or bystanders, insure the vehicle is properly secured.

THREAD LOCKING ADHESIVES

Thread locking adhesives such as “Loctite 242” or “Fel-Pro, Pro-lock nut type” are used on the following fasteners:

1. Clutch retaining bolt in end of engine crankshaft.

COPPER-BASED ANTI-SEIZE

Copper-based anti-seize can be used in the following locations:

1. On threads of Blade Bolts. See **Check Mower Blades section**.
2. Between engine crankshaft and clutch.

DIELECTRIC GREASE

Dielectric grease can be used on all blade type electrical connections to prevent corrosion and loss of contact.

CASTER PIVOT BEARINGS PRE-LOAD AND LUBRICATION

Service Interval: Once a Year

Tighten the nut until it is snug then back it off 1/8-1/4 turn. This will set the preload on the bearing. You should feel a slight drag as you rotate the caster fork clockwise and counterclockwise.

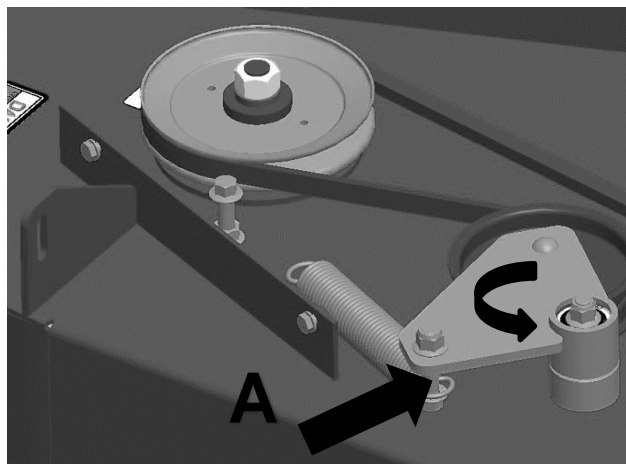
1. Remove the protective cap from the top.
2. Pump grease into the fitting until grease is seen coming up through the bearing. Do not over fill. Do not fill the housing.
3. Reinstall the protective cap and tap into place

CHECK V-BELTS

Service Interval: Every 100 Hours

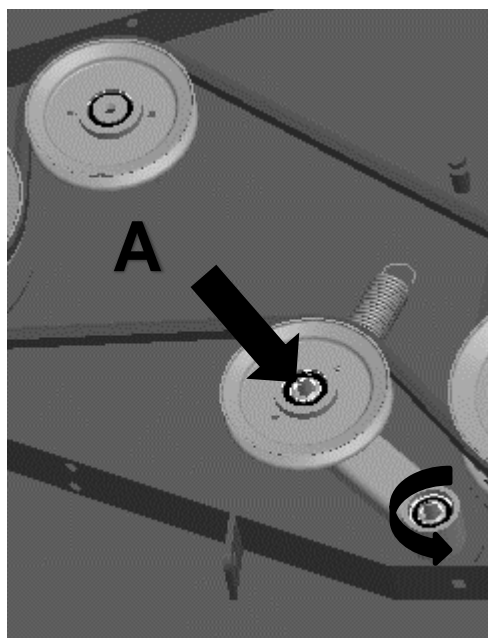
Deck Belt Removal: Side Discharge/Rear Discharge Primary (Clutch Drive)

1. Stop engine
2. Lower deck to lowest position
3. Remove belt shields
4. Place box end wrench on the nut (18mm) or head (15mm) of the bolt of the deck idler arm (Loc A in Figure)
5. Push or pull wrench to release tension on belt.
6. Remove deck belt



Deck Belt Removal: Rear Discharge Secondary (Reverse Drive Pulley)

1. Stop engine
2. Lower deck to lowest position
3. Remove belt shields
4. Place box end wrench on the nut (18mm) or head (15mm) of the bolt of the deck idler arm (Loc A in Figure)
5. Push or pull wrench to release tension on belt.
6. Remove deck belt



Deck Belt Installation

1. Route belt onto deck sheaves and idlers. Refer to routing decal located on cutting deck.
2. Refer to step 4 of Deck Belt Removal to finish install.
3. Verify belt is routed properly and is seated in all sheaves and idlers.
4. Replace belt shields.

ADJUSTMENTS

Note: Disengage PTO, shut off engine, wait for all moving parts to stop, and remove key before servicing, cleaning, or making any adjustments to the unit.



CAUTION

Raising the mower for service or maintenance relying solely on mechanical or hydraulic jacks could be dangerous. The mechanical or hydraulic jacks may not be enough support or may malfunction allowing the unit to fall, which could cause injury.

Do Not rely solely on mechanical or hydraulic jacks for support. Use adequate jack stands or equivalent support.

DECK LEVELING

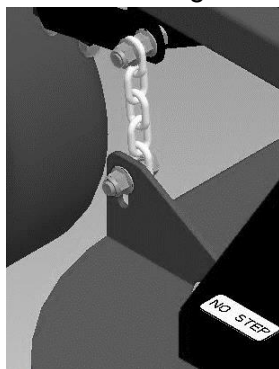
Note: Small adjustments can be accomplished by increasing the tire pressure in the tire on the low side.

1. Park the machine on a level surface and disengage the blade control switch.
2. Stop engine, wait for all moving parts to stop, and remove key.
3. Check the air pressure in the drive tires. If needed, adjust to the recommended inflation; refer to **Checking the Tire Pressure** in the Drive System Maintenance section.
4. Set the height of cut to the desired position.
5. Raise the discharge deflector.
6. Carefully rotate the blades front to rear. Measure from the tip of the front blade to the level surface.

NOTE: In most conditions, the back tips should be adjusted 1/4 inch (6.4 mm) higher than the fronts.

7. Fine tune the front deck lift assembly by loosening adjuster jam nut, then slide bolt up or down in slot until blade is at the correct height.

8. Fine tune rear adjusters same as front detailed in #7.
9. Re-measure until all four sides are the correct height. Tighten all the nuts on the deck lift arm assemblies.
10. Lower discharge deflector.



11. Re-tighten front and rear height-of-cut plate mounting bolts.
Important: Torque the front and rear height-of-cut plate mounting bolts to 27-33 ft-lb (37-45 N-m).
12. Repeat steps 6 through 10.
13. To achieve a cutting height greater than 5" you can remove additional blade spacers from the blade spindle assembly.

⚠ CAUTION

Raising the mower for service or maintenance relying solely on mechanical or hydraulic jacks could be dangerous. The mechanical or hydraulic jacks may not be enough support or may malfunction allowing the unit to fall, which could cause injury.

Do Not rely solely on mechanical or hydraulic jacks for support. Use adequate jack stands or equivalent support.

CLEANING

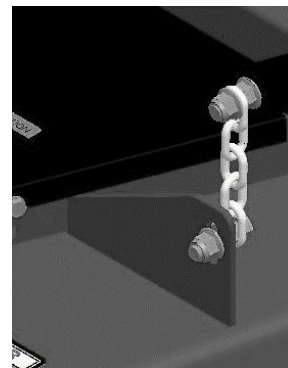
Service Interval: Before each use or daily (May be required more often in dry or dirty conditions.)

⚠ CAUTION

Excessive debris around engine cooling air intake and exhaust system area can cause engine exhaust area and hydraulic system to overheat which can create a fire hazard.

CLEAN ALL DEBRIS FROM ENGINE AND EXHAUST SYSTEM AREA.

1. Stop engine, wait for all moving parts to stop, and remove key.
2. Clean all debris from rotating engine air intake screen around engine shrouding, and exhaust system area.
3. Wipe up any excessive grease or oil around the engine and exhaust system area.



CLEAN DUST AND DIRT FROM CYLINDER HEAD FINS.

Service Interval: Every 100 hours

1. Stop engine, wait for all moving parts to stop, and remove key. Engage parking brake.
2. Remove cooling shrouds from engine and clean cooling fins. Also clean dust, dirt and oil from external surfaces of engine which can cause improper cooling.
3. Make sure cooling shrouds are properly reinstalled. Operating the engine without cooling shrouds will cause engine damage due to overheating.

CLEAN DEBRIS FROM MACHINE

Service Interval: Before each use or daily

1. Stop engine, wait for all moving parts to stop, and remove key.
2. Clean off any oil, debris, or grass build-up on the machine and cutting deck, especially under deck belt shields, around the fuel tank, around engine and exhaust area.

CLEAN GRASS BUILD-UP UNDER DECK

Service Interval: Before each use or daily

1. Stop engine, wait for all moving parts to stop, and remove key.
2. Raise deck to the transport (maximum cutting height) position. Lift the front of unit and support unit using jack stands or equivalent support.



CAUTION

Raising the mower for service or maintenance relying solely on mechanical or hydraulic jacks could be dangerous. The mechanical or hydraulic jacks may not be enough support or may malfunction allowing the unit to fall, which could cause injury.

Do not rely solely on mechanical or hydraulic jacks for support. Use adequate jack stands or equivalent support.

3. Clean out any grass build-up from underside of deck and in discharge deflector.

TROUBLESHOOTING

IMPORTANT: It is essential that all operator safety mechanisms be connected and in proper operating condition prior to mower use.

When a problem occurs, do not overlook the simple causes. For example, starting problems could be caused by an empty fuel tank.

The following table lists some of the common causes of trouble. Do not attempt to service or replace major items or any items that call for special timing of adjustments procedures. Have this work done by your Service Dealer.

PROBLEM	POSSIBLE CAUSE
Engine will not start	<ul style="list-style-type: none"> • Contamination in the carburetor or fuel line. • Fuel supply is closed or the tap for the fuel tank is in the wrong position. • Clogged fuel filter or fuel line. • Faulty ignition system.
Starter does not turn the engine over.	<ul style="list-style-type: none"> • Blade switch is engaged. • Dead battery. • Poor contacts on the battery terminal cable connections. • Fuse blown. • Ignition system faulty. • Fault in the starter safety circuit See <i>Safety Interlock System</i> in the Maintenance section.
Engine runs rough.	<ul style="list-style-type: none"> • Faulty carburetor. • Choke control is in on position with warm engine. • Clogged fuel filter or jet. • Clogged ventilation valve on the fuel cap. • Fuel tank nearly empty. • Fouled spark plug. • Spark plug is loose. • Rich fuel mixture or fuel-air mixture (gasoline). • Wrong fuel type (gasoline). • Water in the fuel (gasoline). • Clogged air filter

TROUBLESHOOTING

PROBLEM	POSSIBLE CAUSE
Engine seems weak	<ul style="list-style-type: none"> • Clogged air filter • Fouled spark plugs. • Carburetor incorrectly adjusted
Machine vibrates.	<ul style="list-style-type: none"> • Blades are loose. • Blades are incorrectly balanced. • Engine is loose.
Engine overheats.	<ul style="list-style-type: none"> • Clogged air intake or cooling fins. • Engine overloaded. • Poor ventilation around engine. • Defective engine speed regulator. • Too little or no oil in the engine. • Fouled spark plug.
Battery not charging.	<ul style="list-style-type: none"> • Poor contact with battery terminal cable connectors. • Charging lead is disconnected.
Mower deck not engaging.	<ul style="list-style-type: none"> • Drive belt for the mower deck has come loose. • Electric connection to clutch has loosened. • Blade switch is faulty or has come loose from the cable contact. • Fuse has blown.
Uneven mowing results.	<ul style="list-style-type: none"> • Unequal tire pressure on the left and right sides. • Bent blades. • Suspension for the mower deck is uneven. • Blades are dull. • Driving speed too high. • Grass is too long. • Grass collected under the mower deck.

STORAGE

WINTER STORAGE

The machine should be readied for storage at the end of the mowing season, or if it will not be in use for more than 30 days.

Fuel allowed to stand for long periods of time (30 days or more) can leave sticky residues that can plug the carburetor and disrupt engine function.

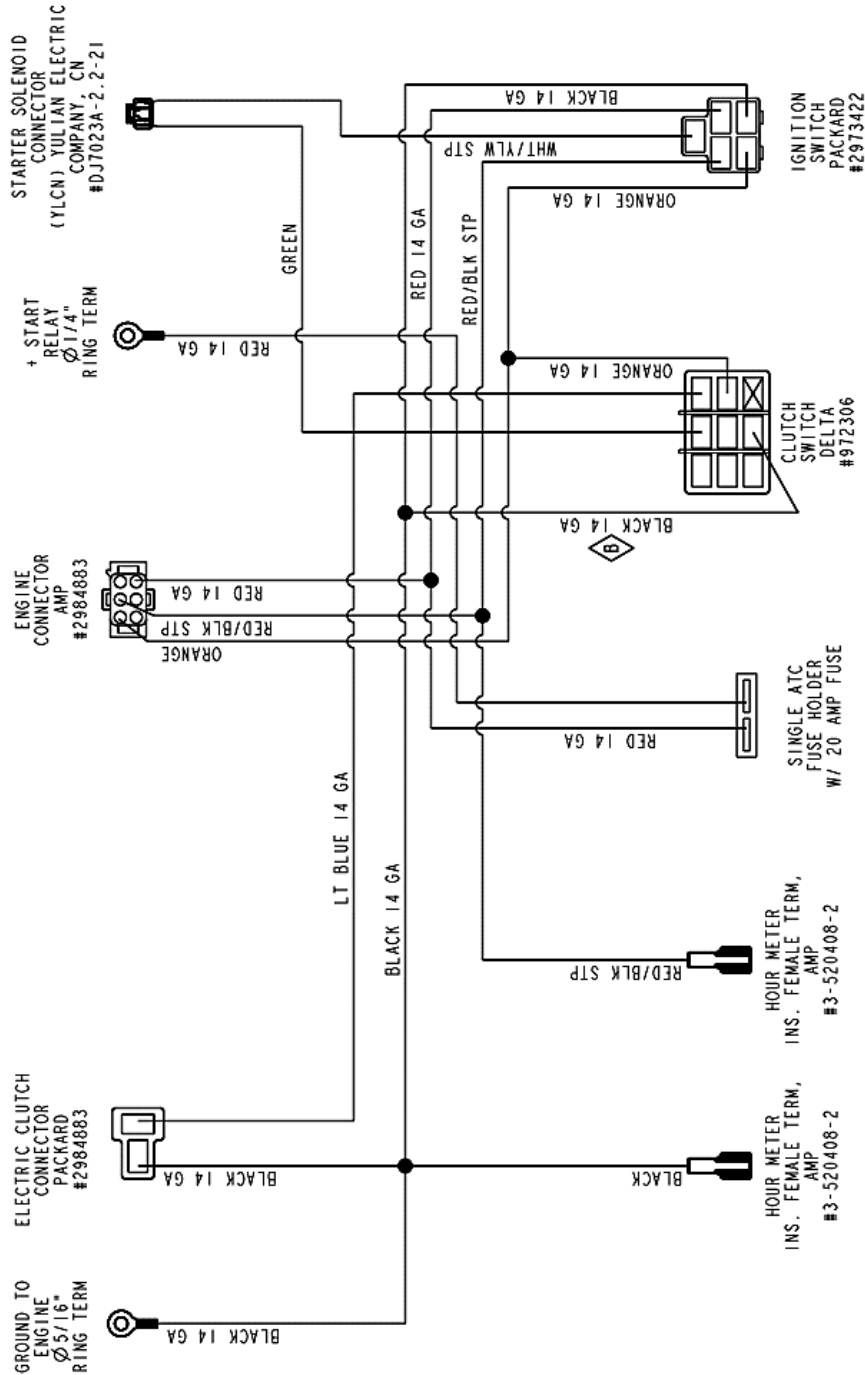
Fuel stabilizers are an acceptable option in regards to the sticky residues that can occur during storage.

Add stabilizer to the fuel in the tank or in the storage container. Always use the mixing ratios specified by the manufacturer of the stabilizer. Run the engine for at least 10 minutes after adding the stabilizer so that it reaches the carburetor. Do not empty the fuel tank and the carburetor if a stabilizer has been added.

To ready the machine for storage, follow these steps:

1. Thoroughly clean the machine, especially under the mower deck. Touch up damage to the paint and spray a thin layer of oil on the underside of the mower deck to avoid corrosion.
2. Inspect the machine for worn or damaged parts and tighten any nuts or screws that may have become loose.
3. Change the engine oil; dispose of properly.
4. Empty the fuel tank or add a fuel stabilizer. Start the engine and allow it to run until the carburetor is drained of fuel or the stabilizer has reached the carburetor.
5. Remove the spark plug and pour about a tablespoon of engine oil into the cylinder. Turn over the engine so that the oil is evenly distributed and then refit the spark plug.
6. Lubricate all grease zerks, joints, and axles.
7. Remove the battery. Clean, charge, and store the battery in a cool place, but protect it from direct cold.
8. Store the machine in a clean, dry place and cover it for extra protection.

WIRING SCHEMATICS



- NOTES:
1. ALL WIRE IS 18 GA. UNLESS NOTED OTHERWISE
 2. ALL WIRE, TERMINALS AND CONNECTIONS ARE TO BE PER NMMA/ABYC ENGINEERING SPECIFICATIONS.
 3. ALL LIVE COLORED WIRES MUST BE ELECTRONICALLY CONNECTED UNLESS CIRCUIT CODING SHOWS OTHERWISE.
 4. ALL TERMINALS ARE TO BE SIZED TO THE GAUGE OF WIRE THEY ARE BEING INSTALLED ON.
 5. ALL HOUSINGS AND MOLDED PLUGS THAT SHOW PIN POSITION ARE FROM REAR (WIRE SIDE) VIEW.



LIMITED WARRANTY

Worldlawn Power Equipment, Inc. (“Worldlawn”) warrants that the SIDEWINDER mower (“Mower”), purchased from an Authorized Encore Dealer, will be free from defects in material and workmanship for a period of three years commercial/residential from the original date of purchase (see details below). Worldlawn also warrants the Mower’s deck shell will be free from defects in material and workmanship for a period of ten years commercial/residential from the original date of purchase (see details below). During the limited warranty period, Worldlawn will repair or replace, at its discretion, any Mower or part thereof which is found to be defective in material and workmanship. This limited warranty specifically excludes wear items, included but not limited to belts, blades, and tires. This limited warranty also specifically excludes parts covered by another manufacturer’s warranty, in which parts are covered only by that manufacturer’s warranty. **This limited warranty does not extend to the engine which is warranted separately by the engine manufacturer.**

This limited warranty extends only to the original retail purchaser (“Owner”) of a Mower. This limited warranty may not be assigned or transferred without prior express written consent of Worldlawn. This limited warranty extends only to those Mowers purchased for private residential and commercial use. A Mower purchased for any other reason, for example as a rental unit, shall have a (90) day limited warranty under the same terms and conditions as set forth herein.

Proof of purchase will be required to substantiate all warranty claims. All warranty work must be performed by an Authorized Worldlawn Dealer. Any work done on or to the Mower by anyone other than an Authorized Worldlawn Dealer, including the original purchaser, voids all provisions of the warranty except those provisions which limit Encore’s liability (as set forth below).

Any Mower or part thereof which, in Worldlawn’s sole discretion, is deemed defective shall be repaired or replaced, at Worldlawn’s option, without charge for parts or labor up to three years of the original date of purchase. Any Mower deck shell, in Worldlawn’s sole discretion, is deemed defective shall be repaired or replaced, at Worldlawn’s option, without charge for parts or labor for the first five years of the original date of purchase, and without charge for parts only for years six through ten from the original date of purchase. To take advantage of this limited warranty, the Mower must be returned to an Authorized Worldlawn Dealer within the warranty period. **The cost of delivering the Mower to the Authorized Dealer and return delivery shall be the responsibility of the Owner.**

Worldlawn’s sole responsibility with any claim made under this warranty is limited only to repairing or replacing the Mower or a defective part thereof, and no claim of breach of warranty shall be cause for rescission, cancellation, or voiding the contract of sale of the Mower.

This limited warranty does not extend to any Mower or part thereof which has been misused, neglected, damaged, abused, not properly installed or maintained, altered or which has been operated in any way contrary to the operating instructions as specified in the Owner/Operator Manual. This limited warranty does not extend to any repair or replacement made necessary by normal use.

THE WARRANTY EXPRESSED HEREIN IS IN LIEU OF OTHER WARRANTIES, EXPRESSED OR IMPLIED, INCLUDING, WITHOUT LIMITATION, ANY IMPLIED WARRANTY OR MERCHANTABILITY OR FITNESS FOR A PARTICULAR USE, AND IS IN LIEU OF ANY AND ALL OTHER OBLIGATIONS OR LIABILITY ON WORLWLAWN’S PART.

UNDER ANY AND ALL CIRCUMSTANCES, WORLWLAWN’S TOTAL LIABILITY TO OWNER FOR ANY AND ALL CLAIMS, LOSSES OR DAMAGES, INCLUDING LOSS OF PROFITS, ARISING OUT OF ANY CAUSE WHATSOEVER, WHETHER BASED IN CONTRACT, NEGLIGENCE OR OTHER TORT, STRICT LIABILITY, BREACH OF WARRANTY OR OTHERWISE, SHALL IN NO EVENT EXCEED THE PURCHASE PRICE OF THE MOWER. IN NO EVENT SHALL ENCORE BE RESPONSIBLE FOR SPECIAL, INCIDENTAL, CONSEQUENTIAL OR EXEMPLARY DAMAGES.



WORLDLAWN[®]
POWER EQUIPMENT