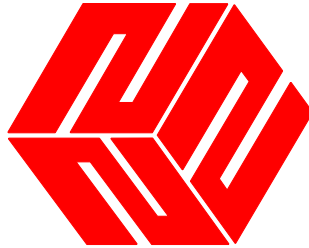


WORLDLAWN®



PARTS MANUAL

**WYK52FX730V5
WYK60FX801V5
WYK52ECV7495
WYK60ECV7495
WYK52ECV7495CA
WYK60ECV7495CA
WYK52FX730V5CA
WYK60FX801V5CA**



WORLDLAWN®

WORLDLAWN POWER EQUIPMENT, INC.

WORLDLAWNPOWEREQUIPMENT.COM

401 COMMERCE STREET

BEATRICE, NE 68310

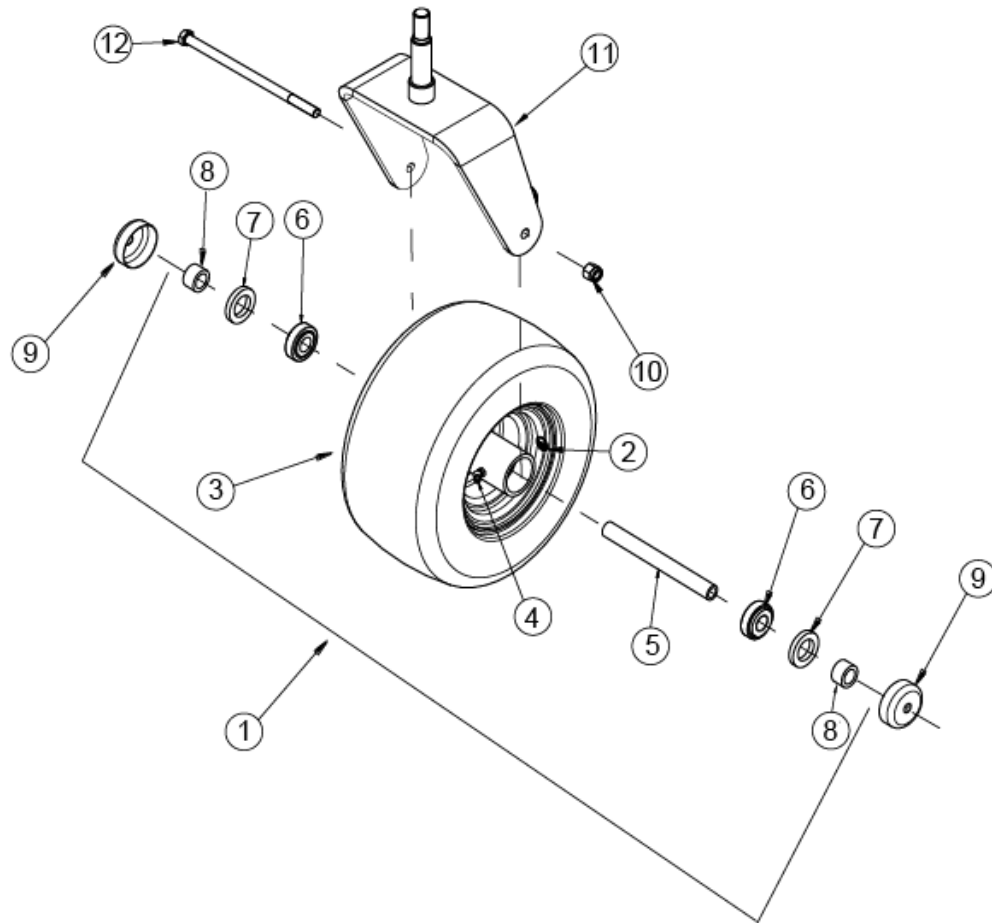
800-267-4255

FAX – 402-223-4103

Contents

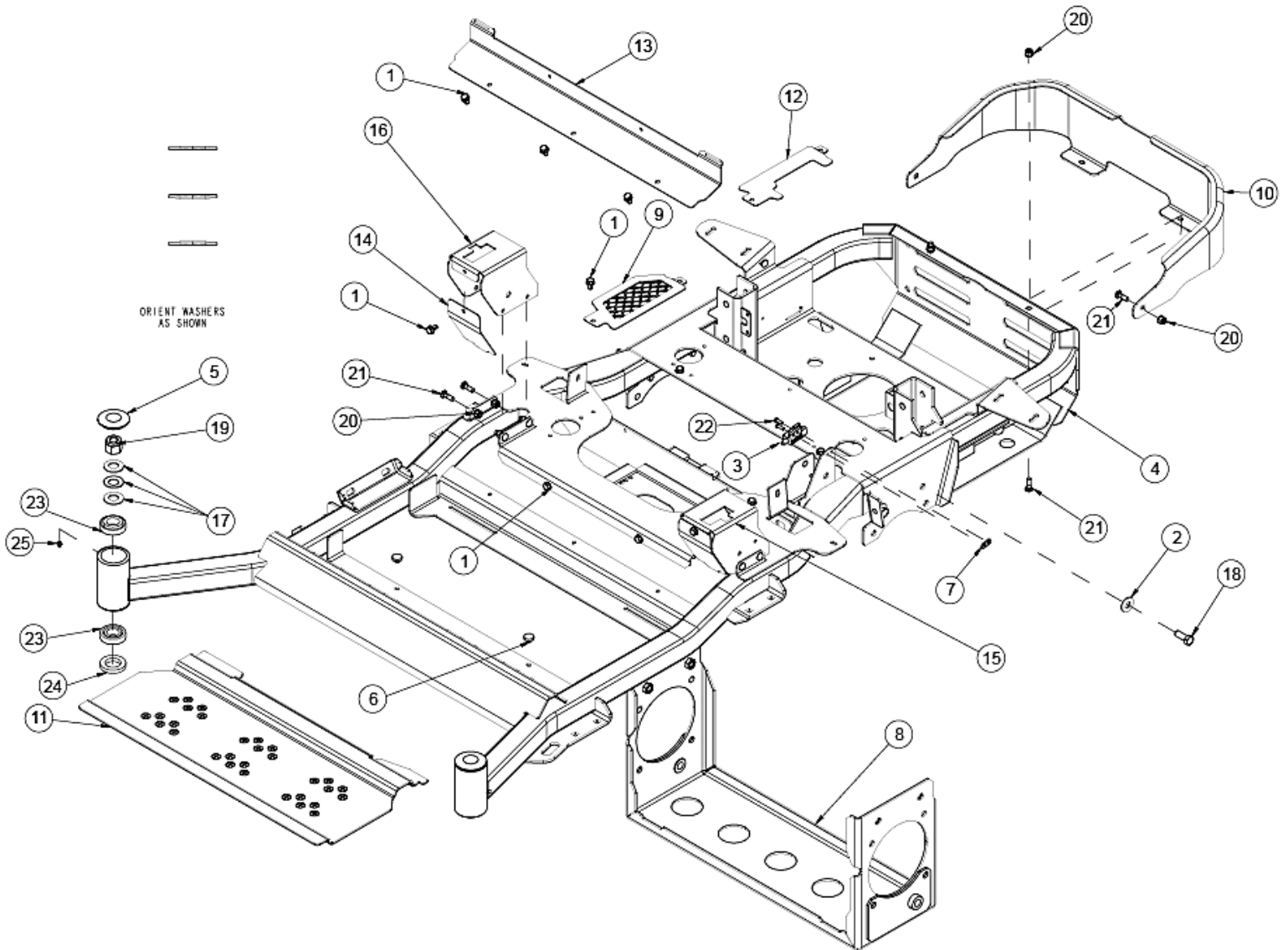
CASTER ASSEMBLY	7
FRAME ASSEMBLY 5400 HYDRO MODELS	8
MOTION CONTROL ASSEMBLY	10
SEAT ASSEMBLY	12
REAR TIRE ASSEMBLY – 52” MODELS	14
REAR TIRE ASSEMBLY – 60” MODELS	15
DECK LIFT ASSEMBLY	16
52” DECK ASSEMBLY	18
60” DECK ASSEMBLY	20
SPINDLE HOUSING ASSEMBLY	22
DECK IDLER ASSEMBLY	24
RIGHT DECK IDLER	26
LEFT DECK IDLER	27
ENGINE ASSEMBLY FX730V	28
ENGINE ASSEMBLY FX801	30
ENGINE ASSEMBLY ECV7495	32
FUEL ASSEMBLY – FX730 & FX801	34
FUEL ASSEMBLY – CARB FX730 & FX801	36
FUEL ASSEMBLY ECV749	38
FUEL ASSEMBLY – EFI - CARB	40
5400 HYDRO ASSEMBLY	42
ROPS ASSEMBLY	45
ELECTRICAL ASSEMBLY	46
DECAL GROUP	48

CASTER ASSEMBLY



ITEM	PART NO.	DESCRIPTION
1	632041	ASM, BLK WHEEL COMPLETE W/BEARINGS
2	453389	DECAL, FRONT TIRE PRESSURE
3	632040	TIRE AND RIM, BLK, 13 X 6.5-6 PNEUMATIC
	542007	TIRE, 13 X 6.5-6 PNEUMATIC
4	111009	ZERK, 45° 1/4-28
5	543230	TUBE, AXLE
6	5202037	BEARING, TAPERED ROLLER
7	5202036	SEAL, LIP
8	5202035	BUSHING
9	5202026	CAP, DUST
10	B6182-12	NUT, NYLOC M12
11	542011-2	WLD, CASTER FORK 6.5, RED
12	543189	BOLT, M12 X 225 MM

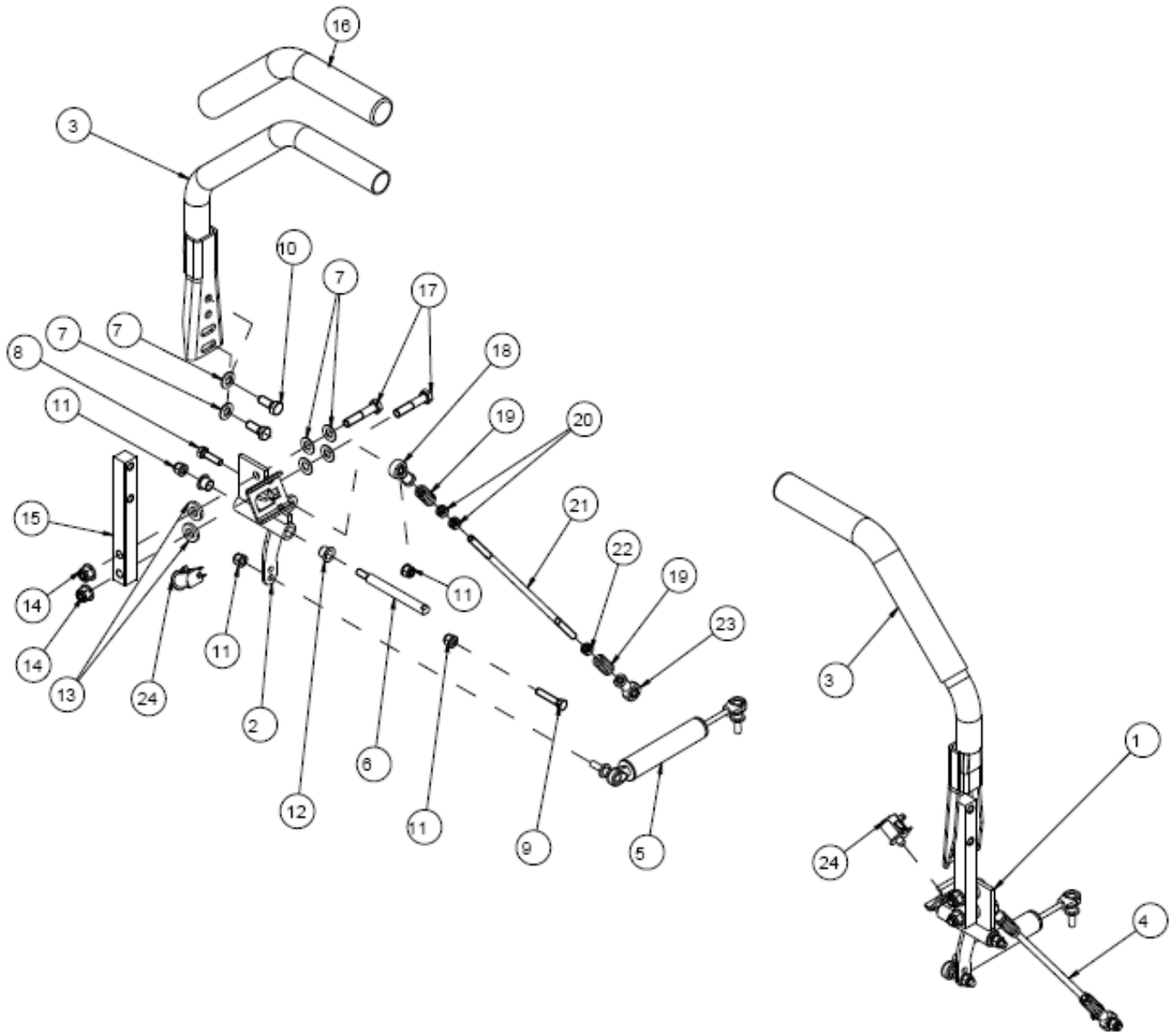
FRAME ASSEMBLY 5400 HYDRO MODELS



FRAME ASSEMBLY 5400 HYDRO MODELS

ITEM	PART NO.	DESCRIPTION
1	102500	SCREW, FLANGE TF M8X16 CA-PT
2	105502	WASHER, SPRING DISC 1/2
3	523034	PARK SWITCH
4	542106	52" FRAME W/DECALS 5400
	542107	60" FRAME W/DECALS 5400
5	5202009	DUST CAP
6	5203907	BUMPER, RUBBER
7	5208103	NUT RACK
8	542021-2	WLD, LOWER HYDRO 5400, RED
9	542081-1	WLD, FAN GUARD RH, BLACK
10	543224-1	GUARD, ENGINE, BLACK
11	543226-1	FLOORPAN, BLACK
12	543319-1	GUARD, FAN LH, BLACK
13	543418-1	KICKBOARD, BLK
14	543419-1	COVER, MOTION CONTROL, BLK
15	542108	T SLOT LH W/DECALS
16	542109	T SLOT RH W/DECALS
17	B1972-A40	WASHER, SPRING DISC A40
18	B5783-1230	BOLT M12x30
19	B6182-20	NUT, NYLOC M20
20	B6183-8	NUT, FLANGED NYLOC M8
21	B801-825	BOLT, CARRIAGE SN M8X25
22	B823-516	SCREW M5x16
23	B297-30205	BEARING 30205
24	B13871-B32528	SEAL (F) 32x52x8
25	B1152-6	GREASE FITTING M6

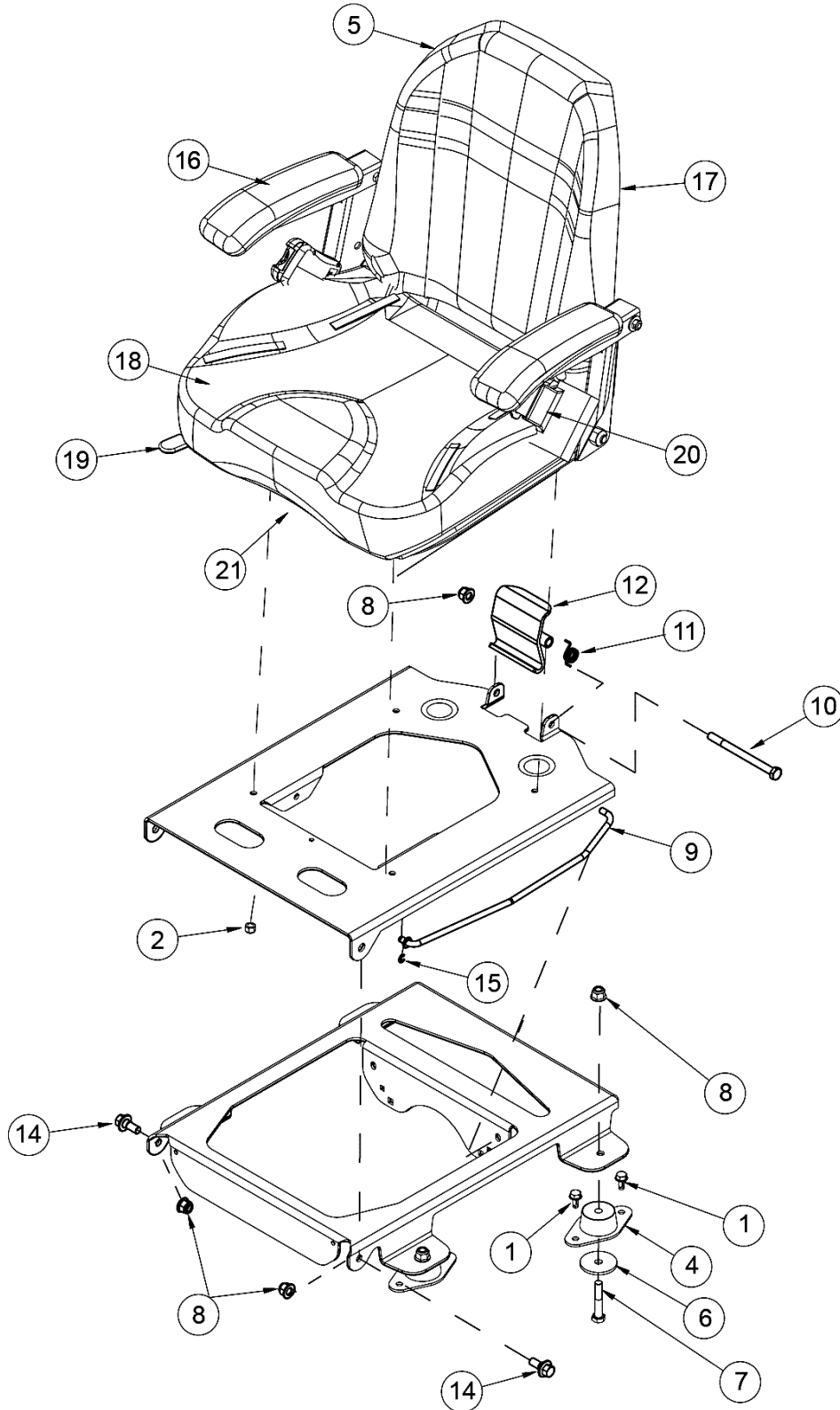
MOTION CONTROL ASSEMBLY



MOTION CONTROL ASSEMBLY

ITEM	PART NO.	DESCRIPTION
1	542044	WLD, MOTION CONTROL LH
2	542079	WLD, MOTION CONTROL RH
3	542048	MOTION CONTROL LEVER W/GRIP
4	542065	5400 LINKAGE COMPLETE
5	543229	DAMPER
6	5002111	ROD, MOTION CONTROL
7	B1972-A22.5-2	WASHER, SPRING DISC A22.5 OD
8	B5783-830	SCREW, HH TAP M8x30
9	B5783-840	SCREW, HH TAP M8 X 40
10	B5783-1025	SCREW, HH TAP M10x25
11	B6183-8	NUT, FLANGED NYLOC M8
12	543154	BUSHING, MOTION CONTROL
13	543152	WASHER, PLASTIC
14	B6183-10	NUT, NYLOC FLANGE M10
15	543153	ARM, MOTION CONTROL
16	543156	GRIP, MOTION CONTROL LEVER
17	B5782-1050	BOLT 10X50
18	5205016	ROD END, SPHERICAL M8 RH SIBJK8S
19	5205003	SPRING, COMPRESSION
20	B6171-8	NUT M8
21	543193	ROD, LINKAGE HYDRO LONG
22	B6171-8L	NUT M8X1 (LH)
23	5205017	ROD END, SPHERICAL M8 LH SILBJK8S
24	353048	SWITCH

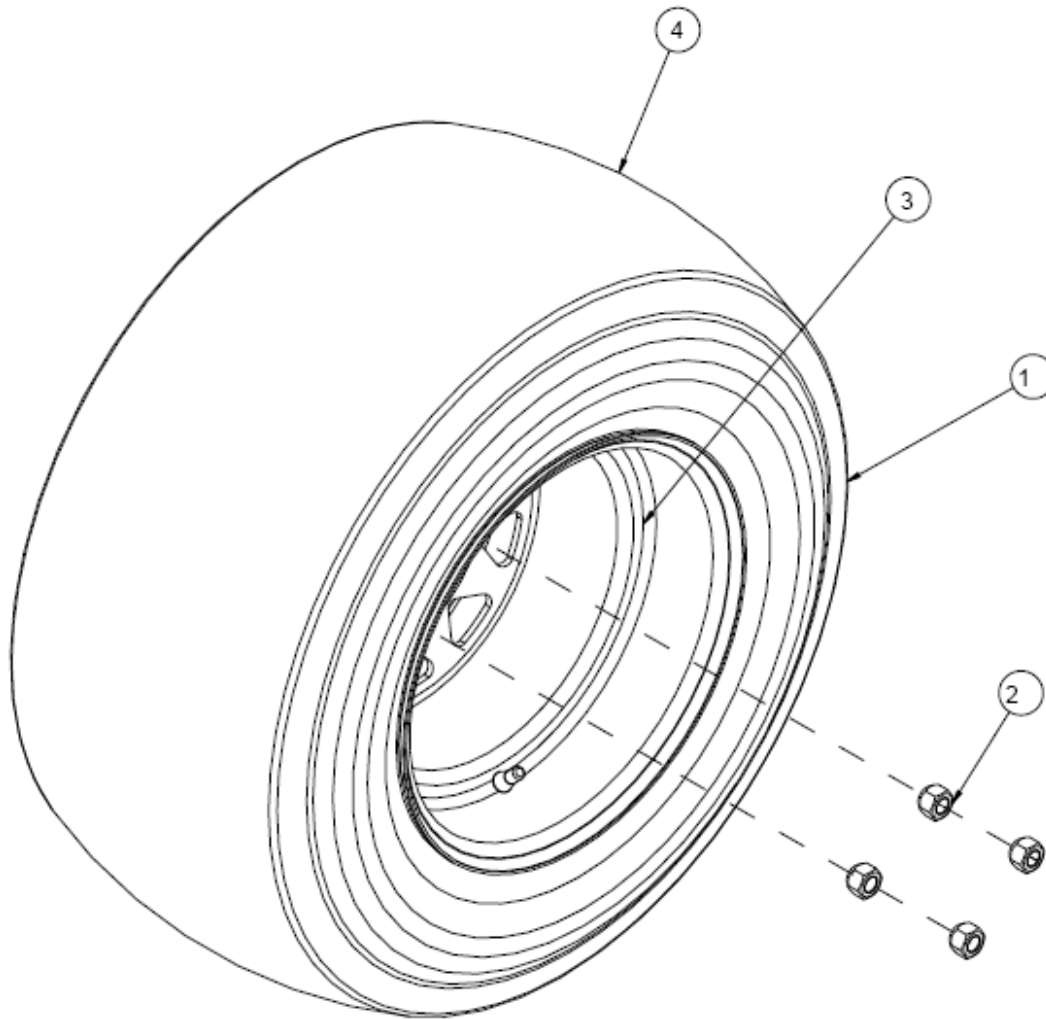
SEAT ASSEMBLY



SEAT ASSEMBLY

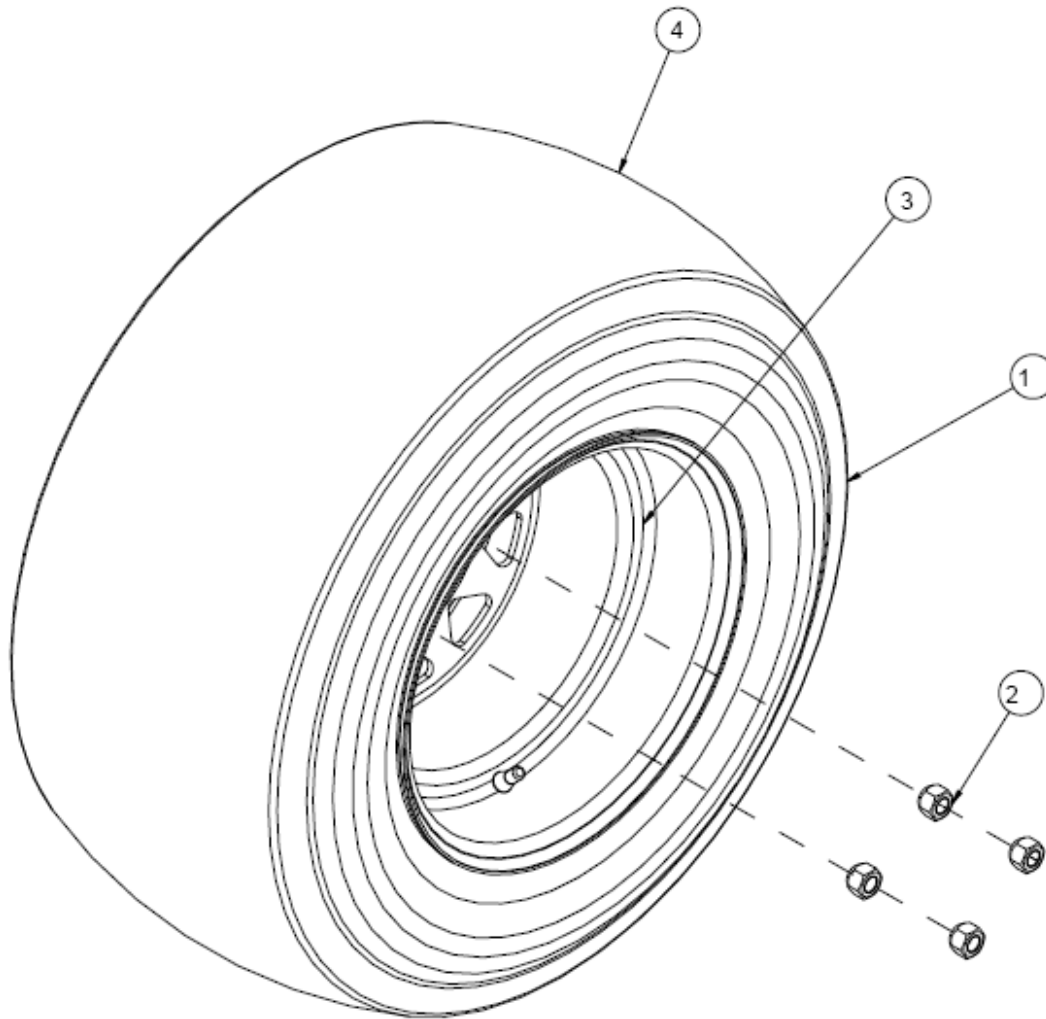
ITEM	PART NO	DESCRIPTION
1	102500	SCREW, FLANGE TF M8X16 CA-PT
2	104256	5/16-18 HEX NYLOC NUT
3	542110	PAN, SEAT, BLACK WITH DECALS
4	543181	ISO- MOUNT, SEAT
5	543271	SEAT, WORLDLAWN
6	543296	WASHER, SNUBBER
7	B5782-1055	SCREW, HH M10x55
8	B6183-10	NUT, NYLOC FLANGE M10
9	543252	SEAT ROD
10	B5782-10125	SCREW, HH M10x125
11	543180	SPRING, TORSION
12	542060	WLD, SEAT LATCH
13	542111	FRAME, SEAT, BLACK WITH DECALS
14	543177	SHOULDER BOLT 10MM
15	B896-6	E-CLIP 6
16	593097	ARM REST PAD-GREY/MOLDED
17	543442	BACK, SEAT WL
18	543441	CUSHION, SEAT WL
19	543438	KIT, SEAT TRACK 4"
20	543004	KIT, SEAT BELT, RETRACTABLE
21	353048	SEAT SWITCH

REAR TIRE ASSEMBLY – 52” MODELS



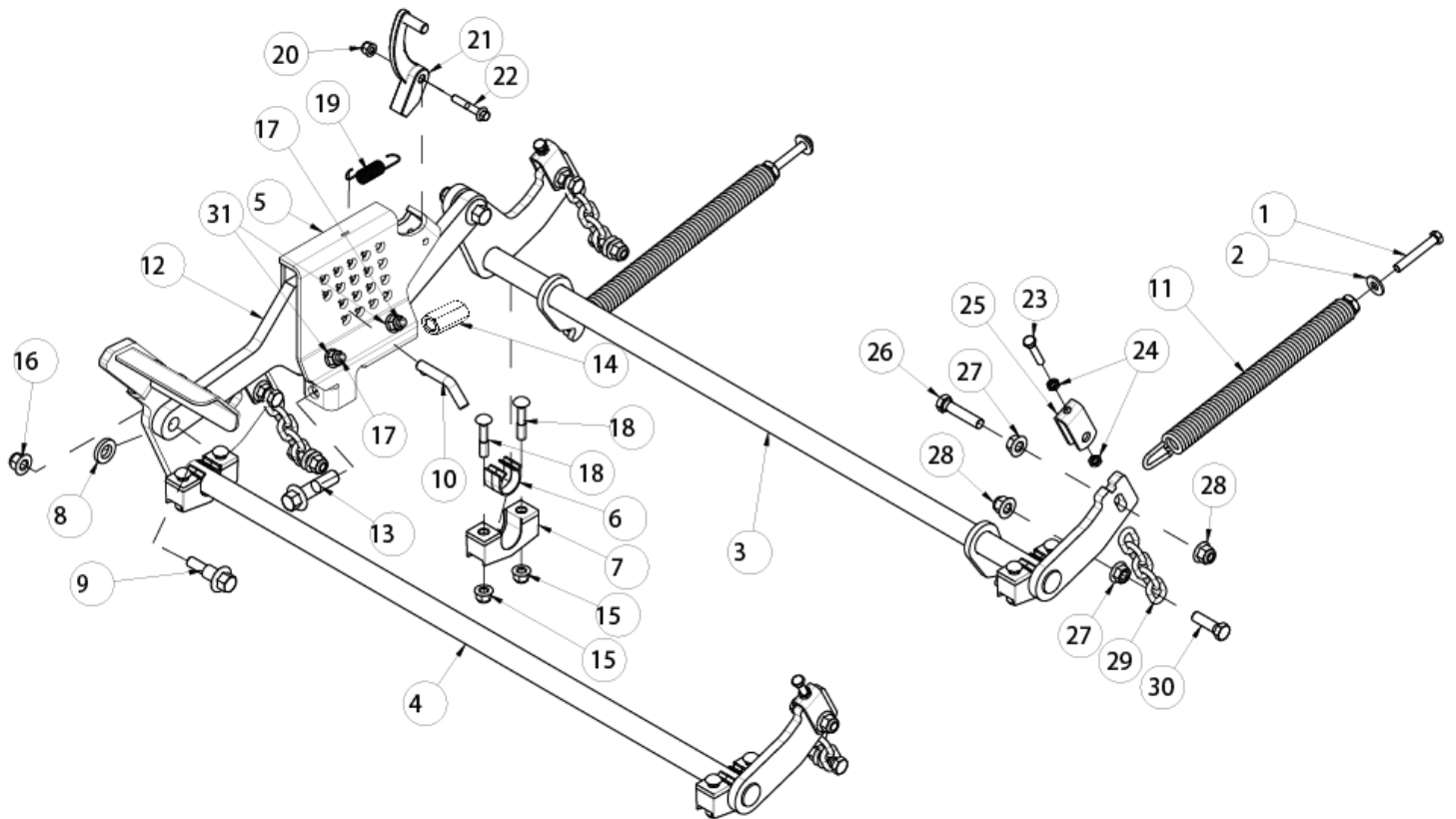
ITEM	PART NO.	DESCRIPTION
1	543427	ASM, WHEEL 24 X 9.5-12
	543494	ASM, BLK WHEEL 24 X 9.5-12
2	103023	1/2-20 X 60 T LUG NUT
3	542101	WHEEL, 12 X 7
	542150	WHEEL, BLK 12 X 7
4	542102	TIRE, 24 X 9.5-12

REAR TIRE ASSEMBLY – 60” MODELS



ITEM	PART NO.	DESCRIPTION
1	543012	ASM, WHEEL 24 X 12-12
	543496	ASM, BLK WHEEL 24 X 12-12
2	103023	1/2-20 X 60 T LUG NUT
3	542018	WHEEL, 12 X 10.5
	542153	WHEEL, BLK 12 X 10.5
4	542019	TIRE, 24 X 12.0-12

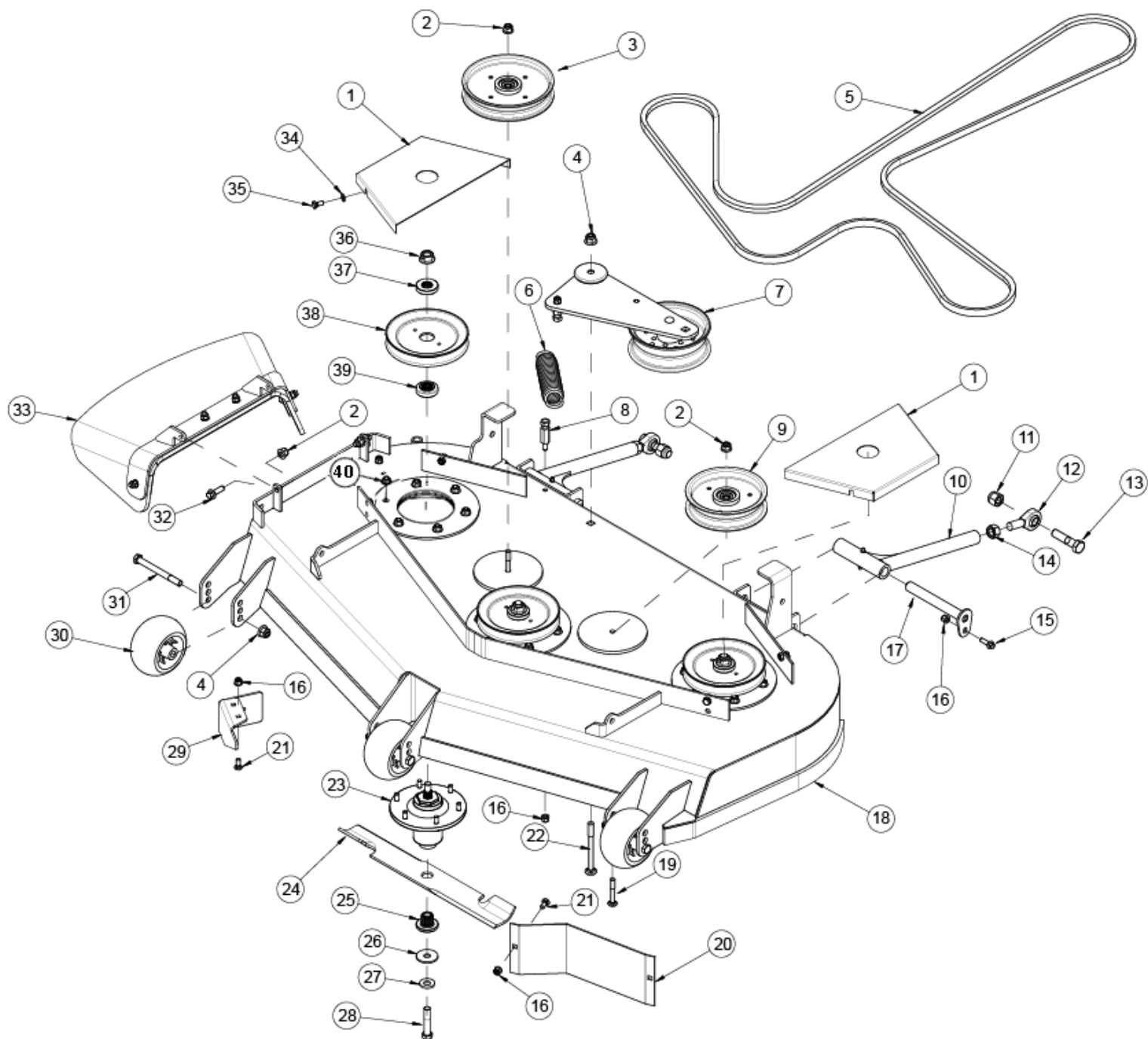
DECK LIFT ASSEMBLY



DECK LIFT ASSEMBLY

ITEM	PART NO.	DESCRIPTION
1	100028	SCREW, HH TAP 3/8-16 X 2-1/2
2	105260	3/8 STD FLAT WASHER
3	542038	ASM, CROSS SHAFT REAR
4	542039	ASM, CROSS SHAFT FRONT
5	542112	HOC PLATE WITH DECAL
6	543123	BUSHING, CROSS SHAFT
7	543124	MOUNT, CROSS SHAFT
8	543126	SPACER, 16MM X 5M
9	543127	BOLT, SHOULDER 12MM
10	543207	PIN, HOC
11	622135	SPRING TENSION ASSY.755x1.147x14.71
12	543122-1	LINK, SIDE, BLACK
13	B5787-1660	SCREW, HH FLANGE M16 X 60
14	543445	NUT, LONG 16MM
15	B6183-10	NUT, NYLOC FLANGE M10
16	B6183-12	NUT, NYLOC FLANGE M12
17	B801-1030	BOLT, CARRIAGE SN M10X30
18	B801-1050	BOLT, CARRIAGE SN M10x50
19	543302	SPRING, EXTENSION
20	B6183-8	NUT, FLANGED NYLOC M8
21	543138	PAWL, TRANSPORT
22	B5787-845	SCREW, HH FLANGE M8X45
23	B5783-840	SCREW, HH TAP M8 X 40
24	B6172-8	NUT, THIN HEX M8
25	543125	YOKE, DECK ADJUST
26	B5783-1255	SCREW,HH TAP M12 x 55
27	B6177-12	Nut M12
28	B6183-12	NUT, NYLOC FLANGE M12
29	423359	CHAIN (5 LINKS)
30	B5783-1240	SCREW, HH TAP M12 x 40

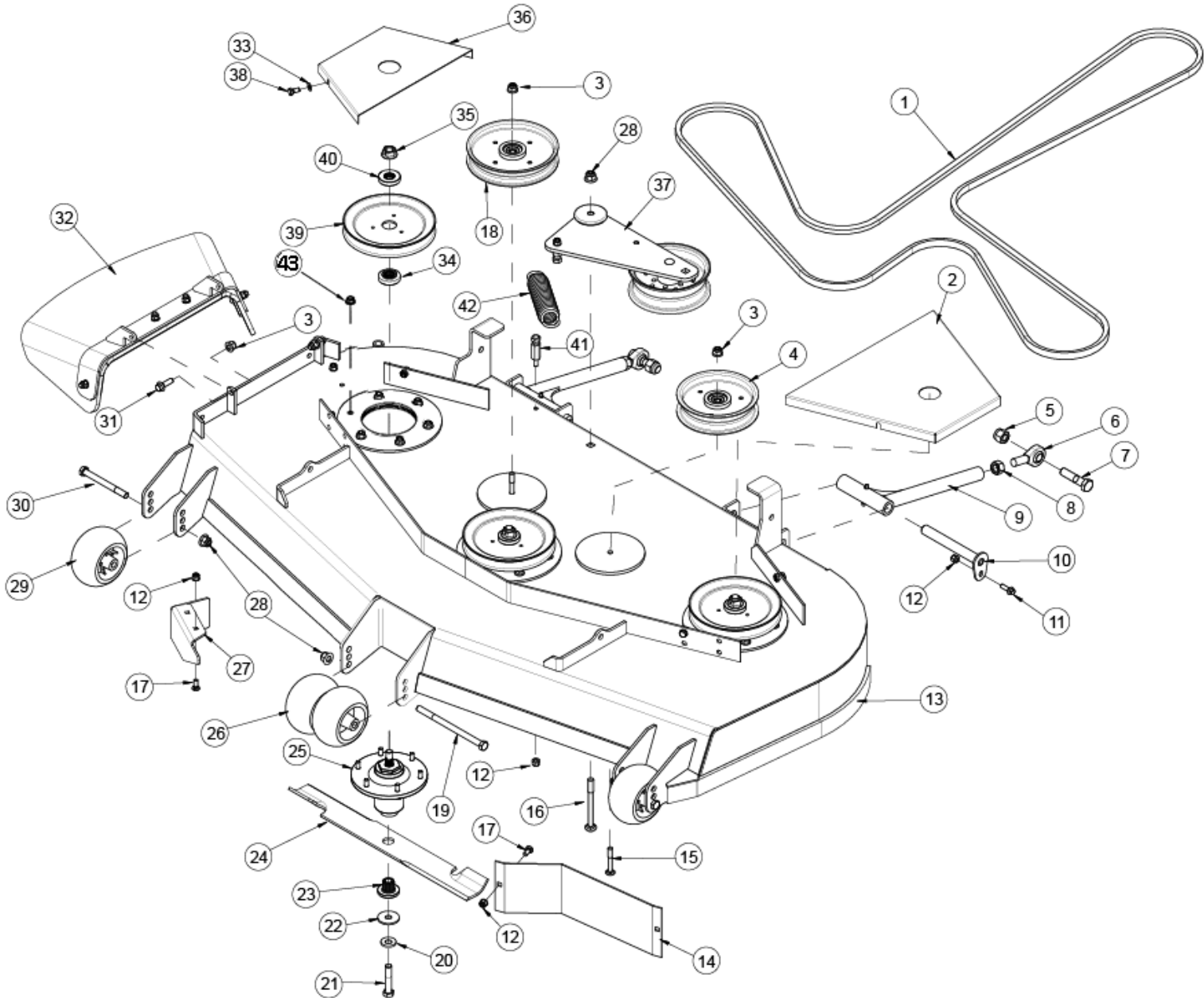
52" DECK ASSEMBLY



52" DECK ASSEMBLY

ITEM	PART NO.	DESCRIPTION
1	542115	BELT SHIELD SHORT W/DECALS
2	B6183-10	NUT, NYLOC FLANGE M10
3	542125	IDLER, FLAT 175MM W/NEW SPACER DETAIL ON PG 27
4	B6183-12	NUT, NYLOC FLANGE M12
5	543097	BELT, DECK 52"
6	5201002	SPRING, EXTENSION
7	542132	ASM, COMPLETE DECK IDLER DETAIL ON PG 24
8	543374	ANCHOR, SPRING 1.46
9	542147	ASM, 150MM FLAT IDLER W/SPACER DETAIL ON PG 26
10	542025	ASM, DECK STRUT
11	B6182-16	NYLOC NUT M16
12	SABJK16C	ROD END, SPHERICAL 16MM
13	B5782-1665	SCREW, HH M16 X 65
14	B6170-16	NUT, M16
15	B5787-825	SCREW, HH FLANGE M8 X 25
16	B6183-8	NUT, FLANGED NYLOC M8
17	5201055	AXLE PIN WELDMENT
18	542113	52" DECK W/DECALS
19	B801-1060	BOLT, CARRIAGE M10 X 60
20	543046-2	BAFFLE, BIRDWING LH, PTD
21	B801-820	BOLT, CARRIAGE SN M8 X 20
22	B801-12120	BOLT, CARRIAGE M12 X 120
23	542014	ASM, SPINDLE HOUSING DETAIL ON PG 22
24	543293	BLADE, STD 18.0"
25	542123	DRIVER, BLADE
26	103038	WASHER, FLAT .530 X 1.75 X .125
27	105502	WASHER, SPRING DISC 1/2
28	100537	1/2-20 X 2-1/2 HHCS
29	543213-2	BAFFLE, DOGLEG 52, RED
30	543225	ROLLWER, ANTI SCALP
31	B5782-12120	SCREW, HH M12 X 120
32	B5787-1030	SCREW, HH FLANGE M12 X 30
33	6001050A	ASM, DISCHARGE CHUTE 52/60
34	B97.1-8	WASHER 8
35	B5783-816	SCREW, HH TAP M8 X 16
36	109047	NUT, FLANGED SIDELOCK 5/8-18 UNF
37	543337	SPACER, SPLINED
38	543013	SHEAVE, BLADE DRIVE 6.23
39	543014	SPACER, BLADE DRIVE
40	109048	NUT, FLANGE NYLOC 3/8-16 UNC

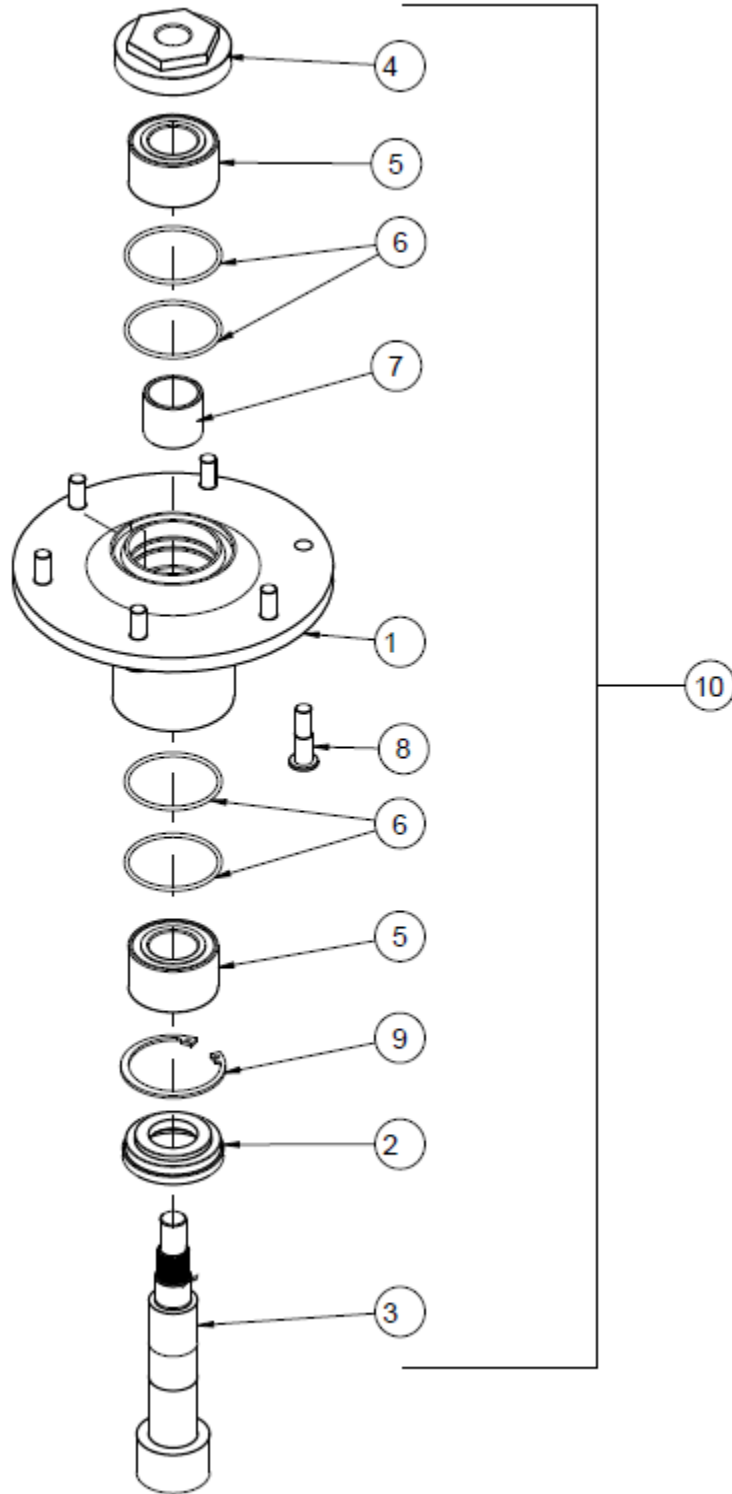
60" DECK ASSEMBLY



60" DECK ASSEMBLY

ITEM	PART NO.	DESCRIPTION
1	543103	BELT, DECK 60"
2	542116	BELT SHIELD LONG W/DECALS
3	B6183-10	NUT, NYLOC FLANGE M10
4	542147	ASM, 150MM FLAT IDLER W/SPACER DETAIL ON PG 26
5	B6182-16	NYLOC NUT M16
6	SABJK16C	ROD END, SPHERICAL 16MM
7	B5782-1665	SCREW, HH M16 X 65
8	B6170-16	NUT M16
9	542025	ASM, DECK STRUT
10	5201055	AXLE PIN WELDMENT
11	B5787-825	SCREW, HH FLANGE M8 X 25
12	B6183-8	NUT, FLANGED NYLOC M8
13	542114	60" DECK W/DECALS
14	543217-2	BAFFLE, BIRDWING 60, RED
15	B801-1060	BOLT, CARRIAGE M10 X 60
16	B801-12120	BOLT, CARRIAGE M12 X 120
17	B801-820	BOLT, CARRIAGE SN M8 X 20
18	542125	IDLER, FLAT 175MM W/NEW SPACER DETAIL ON PG 27
19	5202029	SCREW, HH CAP M12 X 185
20	105502	WASHER, SPRING DISC 1/2
21	100537	1/2-20 X 2-1/2 HHCS
22	103038	WASHER, FLAT .530 X 1.75 X .125
23	542123	DRIVER, BLADE
24	543294	BLADE, STD 20.5"
25	542014	ASM, SPINDLE HOUSING DETAIL ON PG 22
26	423023	ROLER, ANTI SCALP
27	543214-2	BAFFLE, DOGLEG 60, RED
28	B6183-12	NUT, NYLOC FLANGE M12
29	543225	ROLLER, ANTI SCALP
30	B5787-12120	SCREW, HH FLANGE M12 X 120
31	B5787-1030	SCREW, HH FLANGE M10 X 30
32	6001050A	ASM, DISCHARGE CHUTE 52/60
33	B97.1-8	WASHER 8
34	543014	SPACER, BLADE DRIVE
35	109047	NUT, FLANGE SIDELOCK 5/8-18 UNF
36	542115	BELT SHIELD SHORT W/DECALS
37	542132	ASM, COMPLETE DECK IDLER DETAIL ON PG 24
38	B5783-816	SCREW, HH TAP M8 X 16
39	543080	SHEAVE, BLADE DRIVE 6.86
40	543337	SPACER, SPLINED
41	543374	ANCHOR, SPRING 1.46
42	5201002	SPRING, EXTENSION
43	109048	NUT, FLANGE NYLOC 3/8-16 UNC

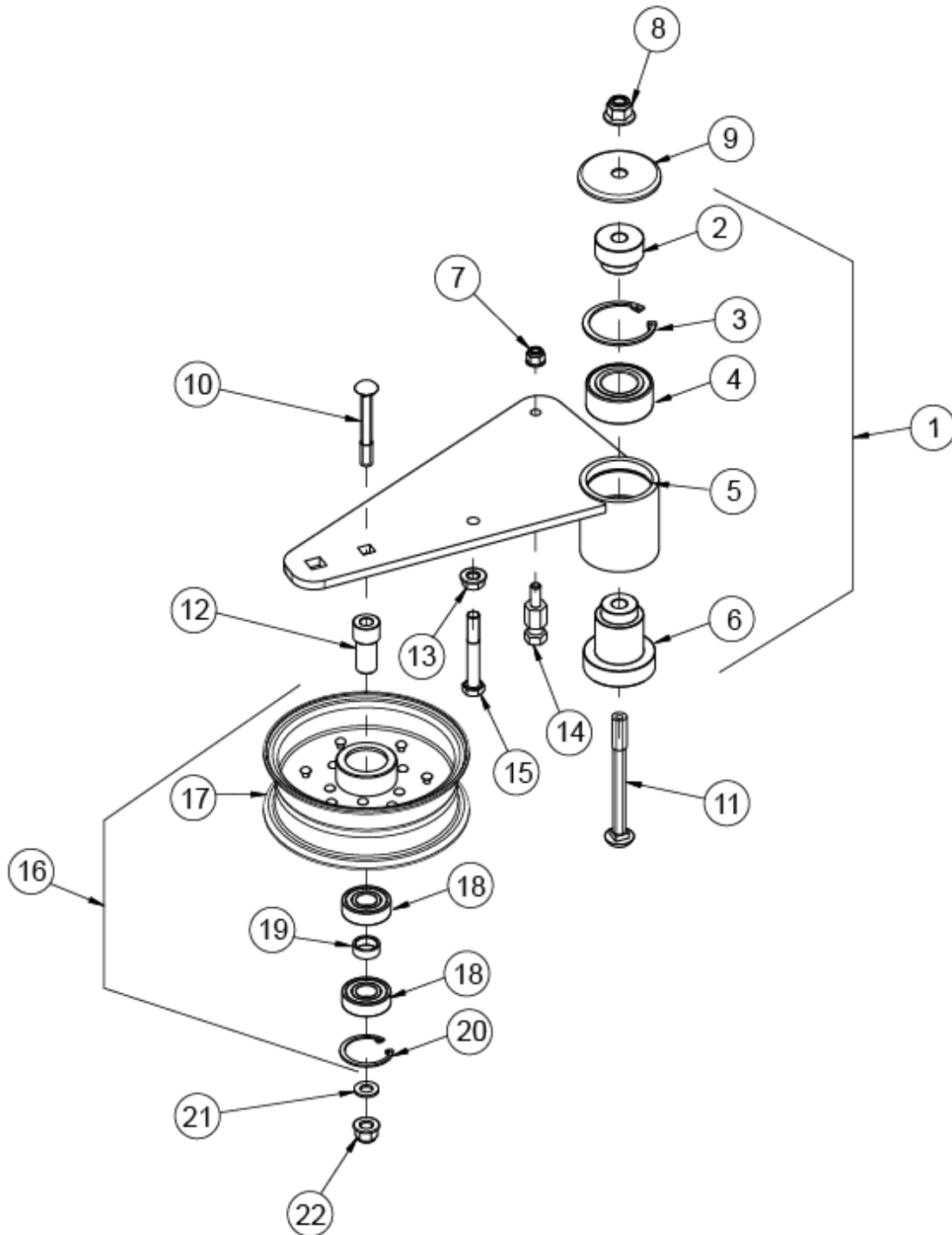
SPINDLE HOUSING ASSEMBLY



SPINDLE HOUSING ASSEMBLY

ITEM	PART NO.	DESCRIPTION
1	542012	HOUSING, CUTTER WITH STUDS
2	543008	GUARD, BOTTOM
3	543009	SPINDLE
4	543010	NUT, SPINDLE
5	543166	BEARING, DAC3055RK
6	B3452.1-545X265	O-RING 54.5 X 2.65
7	543237	SPACER
8	543015	STUD, WHEEL 10MM
9	B893.2-60	RING, SNAP INTERNAL 60mm
10	542014	ASM, CUTTER HOUSING

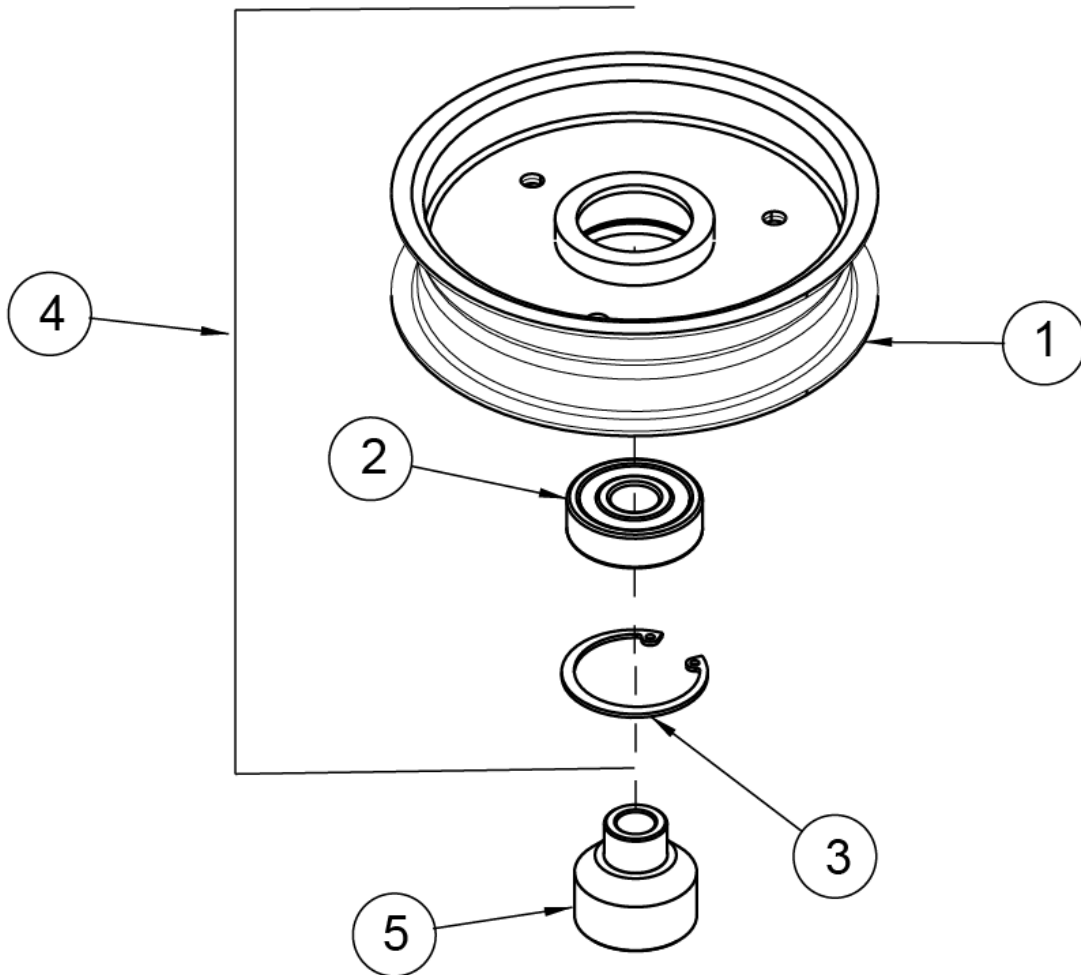
DECK IDLER ASSEMBLY



DECK IDLER ASSEMBLY

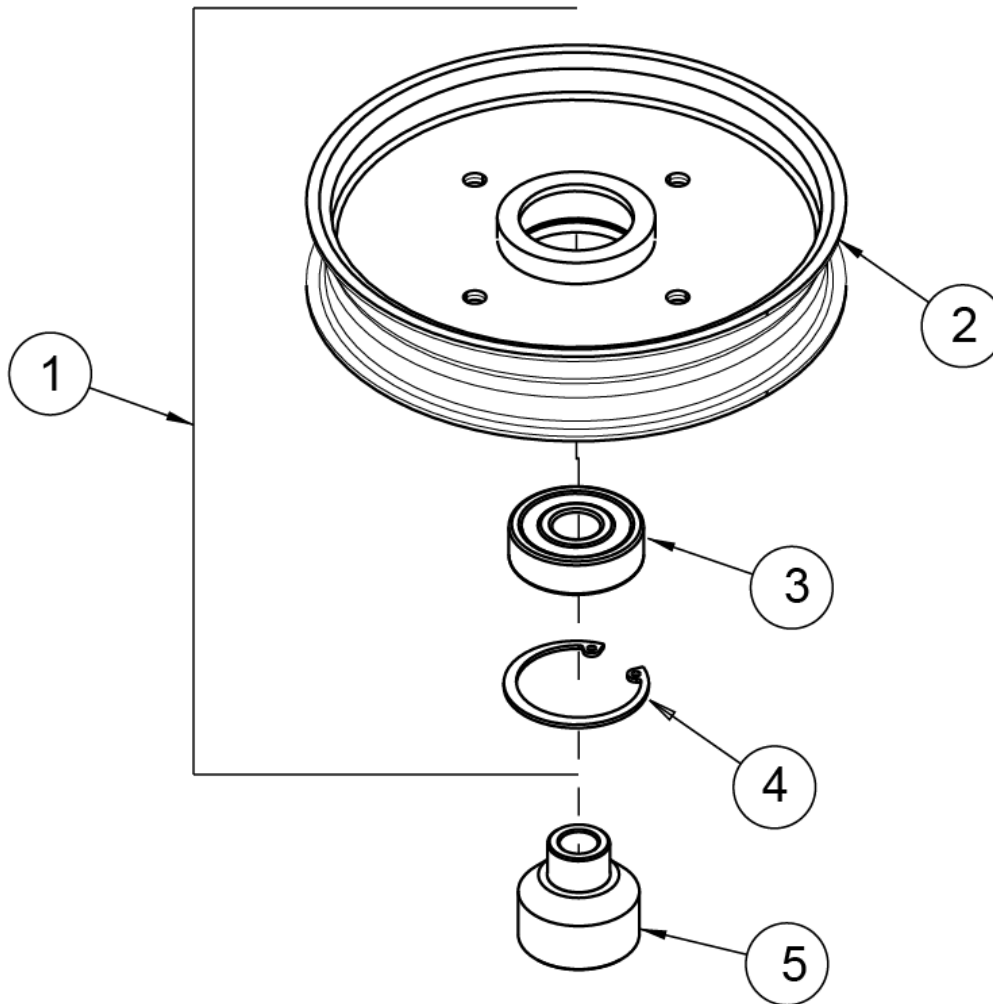
ITEM	PART NO.	DESCRIPTION
1	542131	ASM, DECK IDLER
2	543096	SPACER, STEPPED
3	B893.2-56	RING, SNAP 56MM
4	543236	BEARING, 30BD40DF2
5	542130	WLD, DECK IDLER
6	543463	SPACER, TALL IDLER
7	B6183-8	NUT, FLANGED NYLOC M8
8	B6183-12	NUT, NYLOC FLANGE M12
9	543099	CAP, DUST
10	B801-1075	BOLT, CARRIAGE M10 X 75
11	B801-12120	BOLT, CARRIAGE M12 X 120
12	543462	SPACER, PULLEY
13	B6177-10	NUT, FLANGED M10
14	543100	ANCHOR, SPRING .91
15	B5782-1070	HEX HD BOLT M10- X 70
16	542134	ASM, PULLEY 150MM X 48MM W/BEARINGS
17	542133	ASM, PULLEY 150MM X 48MM
18	B276-6203RS	BEARING 6203-2RS
19	5201077	BUSHING
20	B893.1-40	SNAP RING 40
21	B97.1-10	WSHER, FLAT M10
22	B6183-10	NUT, NYLOC FLANGE M10

RIGHT DECK IDLER



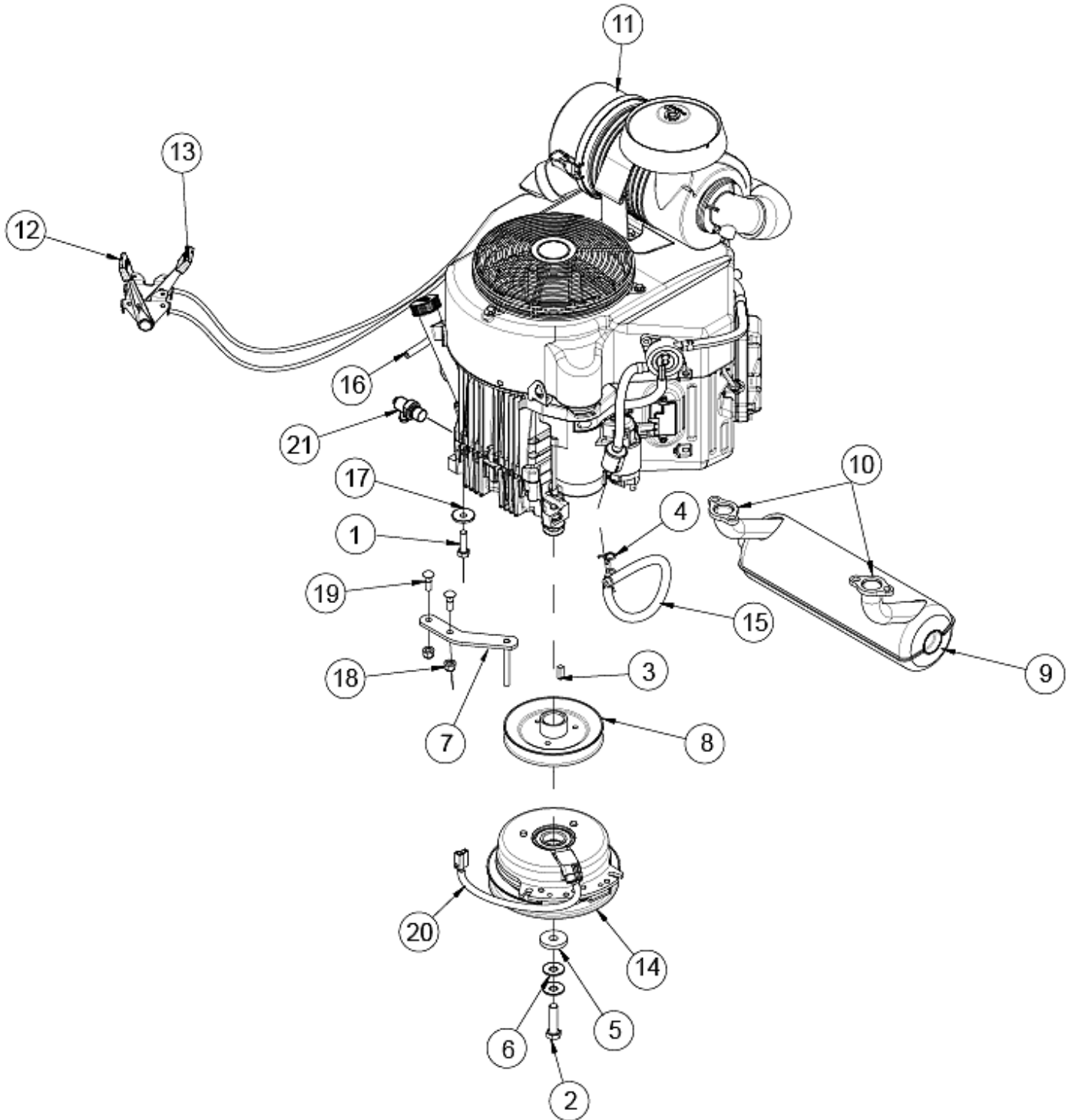
ITEM	PART NO.	DESCRIPTION
1	542137	WLD, FLAT IDLER 150MM
2	B276-6303RS	BEARING 6303-2RS
3	B893.2-47	SNAP RING 47
4	542138	IDLER, FLAT 150MM W/BEARING
5	543450	SPACER, IDLER

LEFT DECK IDLER



ITEM	PART NO.	DESCRIPTION
1	542125	IDLER, FLAT 175MM W/NEW SPACER
2	542032	WLD, FLAT IDLER 175MM
3	B276-6303RS	BEARING 6303-2RS
4	B893.2-47	SNAP RING 47
5	543450	SPACER, IDLER

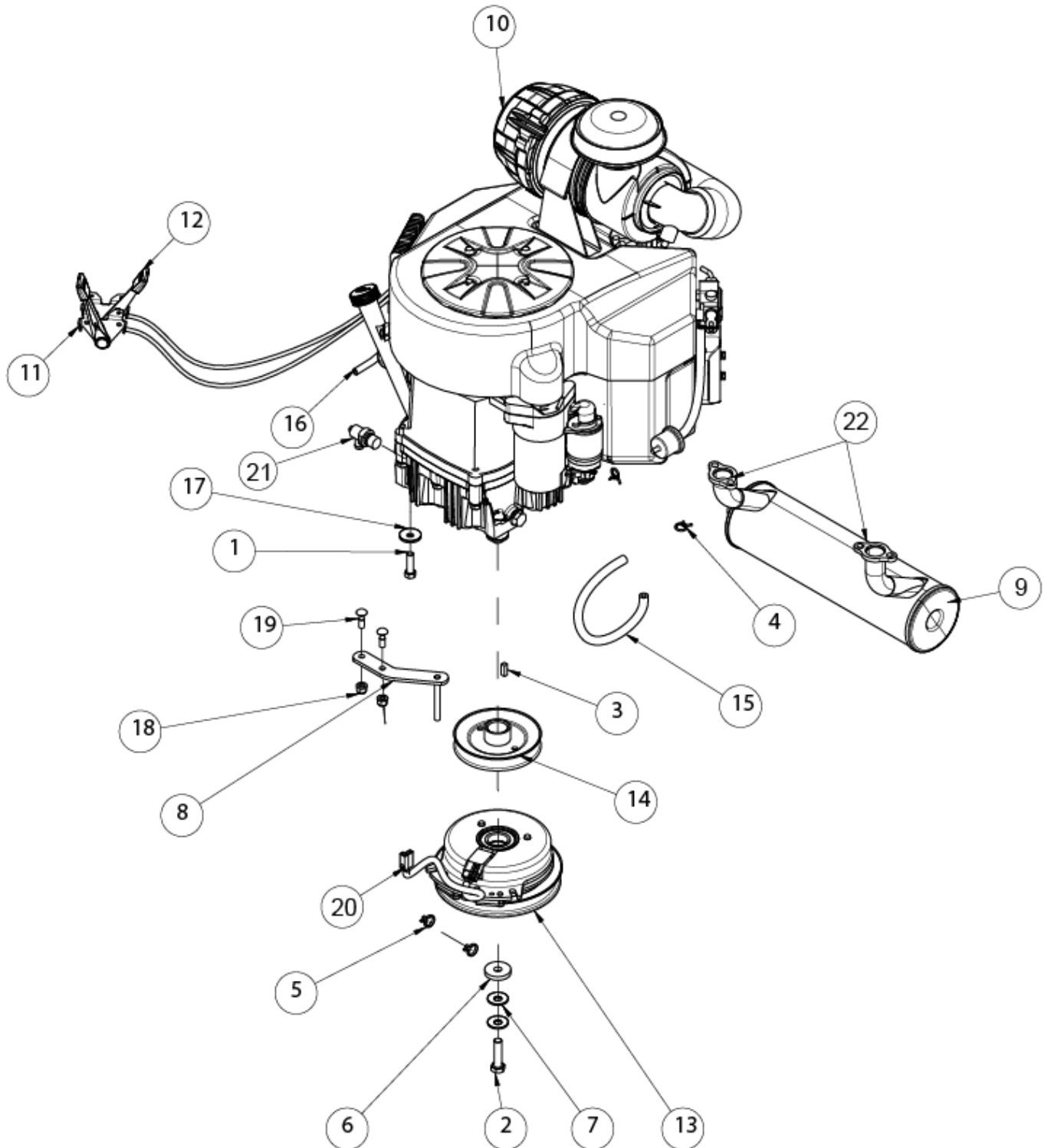
ENGINE ASSEMBLY FX730V



ENGINE ASSEMBLY FX730V

ITEM	PART NO.	DESCRIPTION
1	100293	3/8-16 X 1-1/4 HHCS
2	100533	7/16-20 X 1-3/4 HHCS
3	107258	1/4 X 1/4 X 3/4 MACH KEY
4	363098	CLAMP, FUEL LINE 1/4 ID
5	423068	CLUTCH WASHER
6	423069	WASHER, SPRING DISC.- 7/16
7	542077	WLD, CLUTCH ANCHOR 5400
8	543411	SHEAVE, PUMP DRIVE FOR 5400 HYDRO MODELS
9	543183	MUFFLER, KAW 726cc
10	483098	MUFFLER GASKET
11	REFERENCE ONLY	ENGINE
12	543250	CABLE, THROTTLE
13	543251	CABLE, CHOKE
14	543288	CLUTCH, MS200 W/PIGTAIL
15	583470	HOSE, FUEL 1/4 ID X 13
16	623418	HOSE, FUEL 3/16 ID X 29
17	753027	WASHER, SPRING DISC
18	B6183-8	NUT, FLANGED NYLOC M8
19	B801-825	BOLT, CARRIAGE SN M8X25
20	543364	HARNESS, CLUTCH PIGTAIL
21	343146	OIL DRAIN

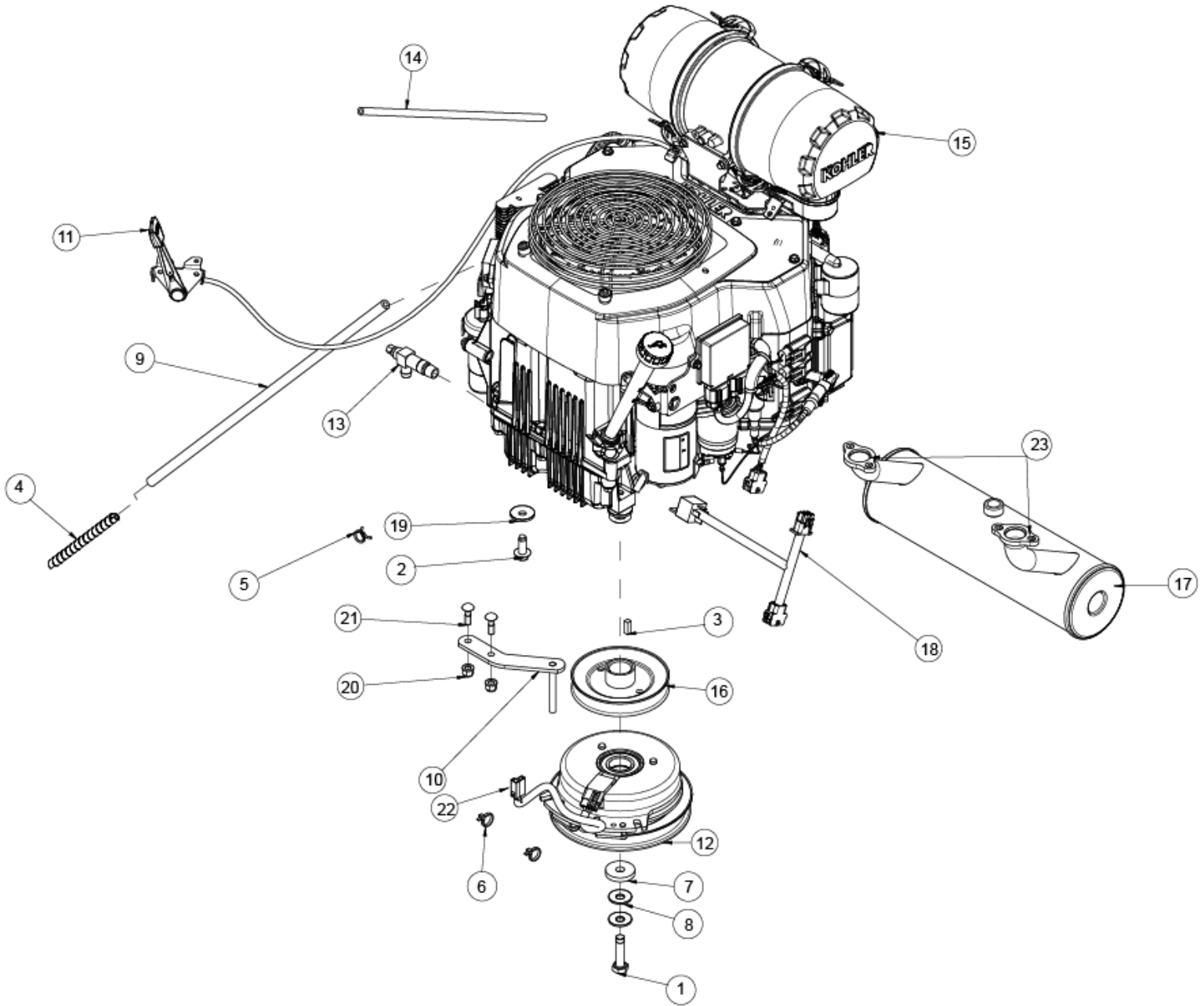
ENGINE ASSEMBLY FX801



ENGINE ASSEMBLY FX801

ITEM	PART NO.	DESCRIPTION
1	100293	3/8-16 X 1-1/4 HHCS
2	100533	7/16-20 X 1-3/4 HHCS
3	107258	1/4 X 1/4 X 3/4 MACH KEY
4	363098	CLAMP, FUEL LINE 1/4 ID
5	363222	PLASTIC TIE
6	423068	CLUTCH WASHER
7	423069	SPRING DISC. WASHER – 7/16
8	542077	WLD, CLUTCH ANCHOR 5400
9	543184	MUFFLER, KAW 852 CC
10	REFERENCE ONLY	ENGINE FX801V
11	543250	CABLE, THROTTLE
12	543251	CABLE, CHOKE
13	543288	CLUTCH, MS200 W/PIGTAIL
14	543411	SHEAVE, HYDRO DRIVE – 5400
15	583470	HOSE, FUEL 1/4 ID X 13
16	623418	3/16” FUEL LINE DSL – 29”
17	753027	SPRING DISC WASHER
18	B6183-8	NUT, FLANGED NYLOC M8
19	B801-825	BOLT, CARRIAGE SN M8 X 25
20	543364	HARNESS, CLUTCH PIGTAIL
21	343146	OIL DRAIN
22	483098	EXHAUST GASKETS

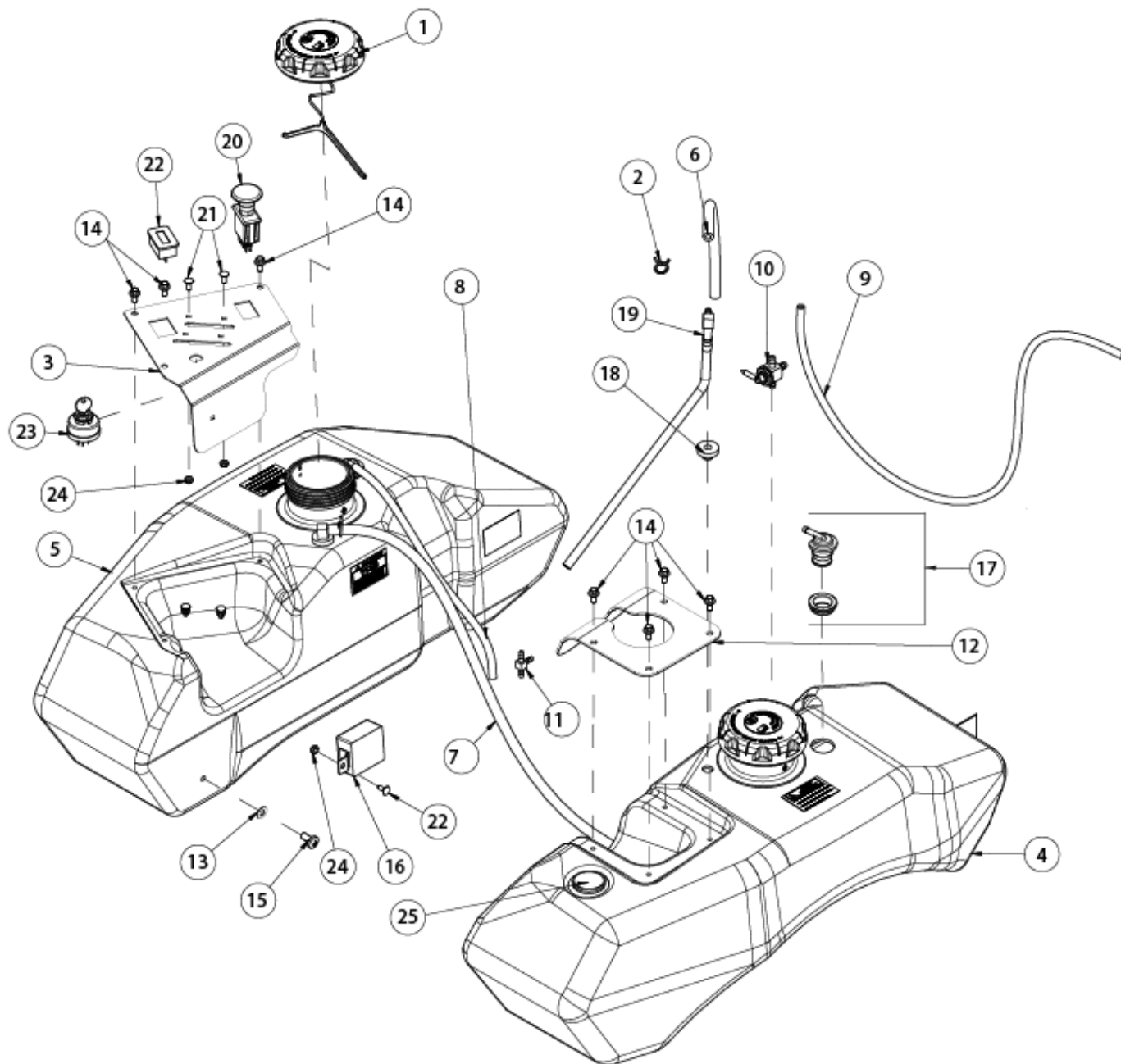
ENGINE ASSEMBLY ECV7495



ENGINE ASSEMBLY ECV7495

ITEM	PART NO.	DESCRIPTION
1	100533	7/16-20 X 1-3/4 HHCS
2	103000	3/8-16 X 1 THD FORMING FLANGE BOLT
3	107258	1/4 X 1/4 X 3/4 MACH KEY
4	353172	3/8" ID X 6" HOSE GUARD
5	363098	CLAMP, FUEL LINE 1/4 ID
6	363222	PLASTIC TIE
7	423068	CLUTCH WASHER
8	423069	SPRING DISC.- 7/16
9	533085	FUEL LINE / 21 1/2" LONG (.25")
10	542077	WLD, CLUTCH ANCHOR 5400
11	543250	CABLE, THROTTLE
12	543288	CLUTCH, MS200 W/PIGTAIL
13	543307	DRAIN, OIL
14	543361	HOSE, VENT 3/16 ID X 15
15	FOR REFERENCE ONLY	ENGINE, KOH ECV749
16	543411	SHEAVE, HYDRO DRIVE – 5400
17	543444	MUFFLER, KOH ECV
18	543461	EFI JUMPER HARNESS
19	753027	SPRING DISC WASHER
20	B6183-8	NUT, FLANGED NYLOC M8
21	B801-825	BOLT, CARRIAGE SN M8X25
22	543364	HARNESS, CLUTCH PIGTAIL
23	483098	EXHAUST GASKET

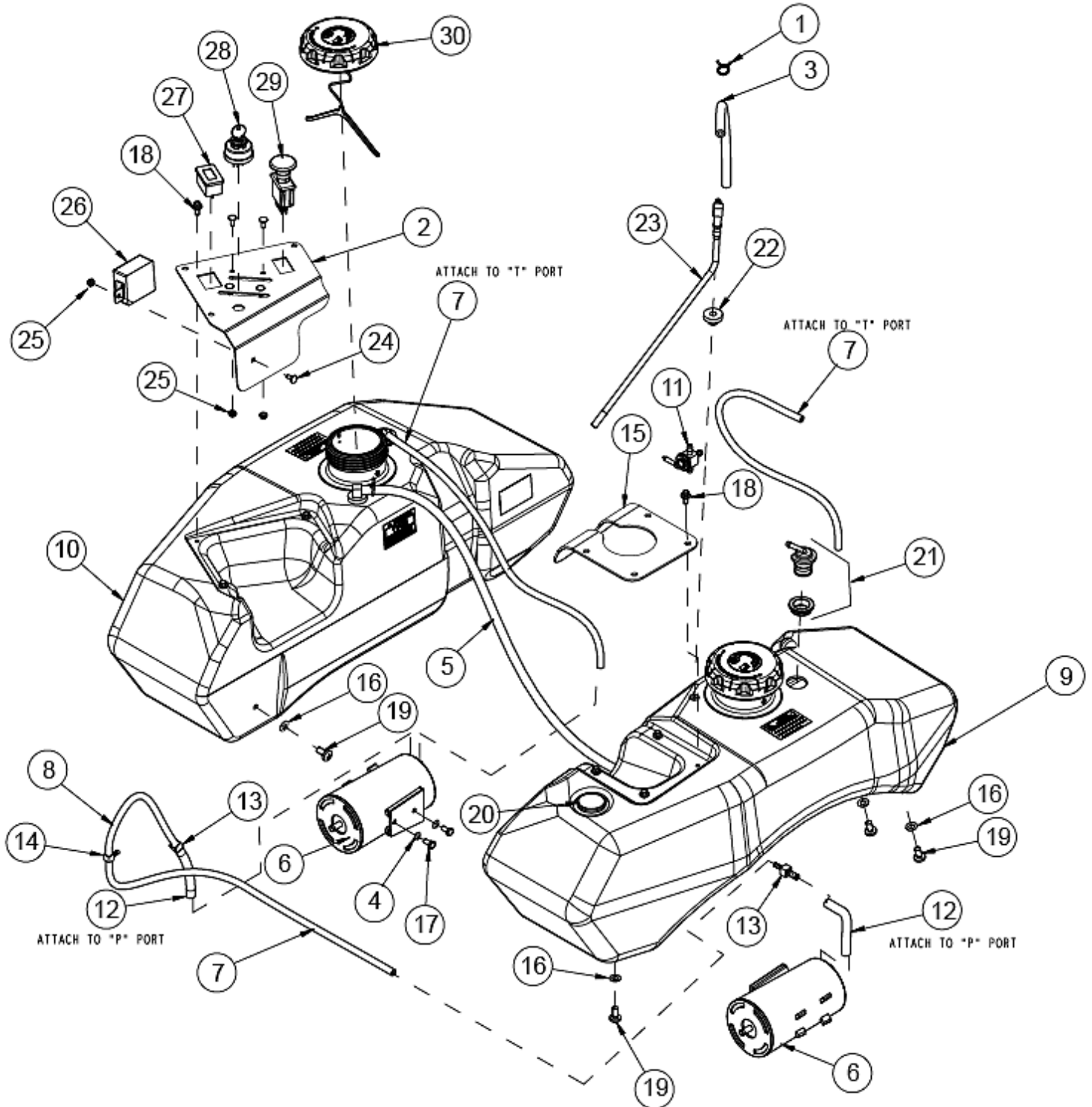
FUEL ASSEMBLY – FX730 & FX801



FUEL ASSEMBLY – FX730 & FX801

ITEM	PART NO.	DESCRIPTION
1	5204019	GAS CAP-EPA
2	363098	CLAMP, FUEL LINE 1/4 ID
3	542117	CONTROL PANEL W/DECAL
4	543375	ASM, FUEL TANK LH - WL
5	543376	ASM, FUEL TANK RH - WL
6	543323	HOSE, FUEL 1/4 ID X 14.5
7	543328	HOSE, FUEL 1/4 ID X 32.5
8	543361	HOSE, VENT 3/16 ID X 15
9	543362	HOSE, VENT 3/16 ID X 36
10	583050	FUEL VALVE
11	5204010	TEE, HOSE 3/16 ID
12	543277-1	CUP HOLDER, BLACK
13	B1972-A16	WASHER, SPRING DISC A16-1
14	B5787-612	SCREW, FLANGED HH M6 X 12
15	B818-816	SCREW, PAN HEAD PHILLIPS M8 X 16
16	543308	MODULE, SEAT DELAY
17	543283	ASM, FUEL VENT W/GROMMET
18	533125	VALVE GROMMET - VITON
19	543306	FITTING, 90° FUEL W/TUBE 10"
20	523031	PTO SWITCH
21	107527	BOLT, CARRIAGE #10-24 X 1/2
22	453417	METER, MS HOUR
23	5208070	ASM, IGNITION SWITCH
24	104252	#10-24 HEX NYLOC NUT
25	543278	FUEL GAUGE
NOT SHOWN	5204047	GROMMET, FUEL GAUGE

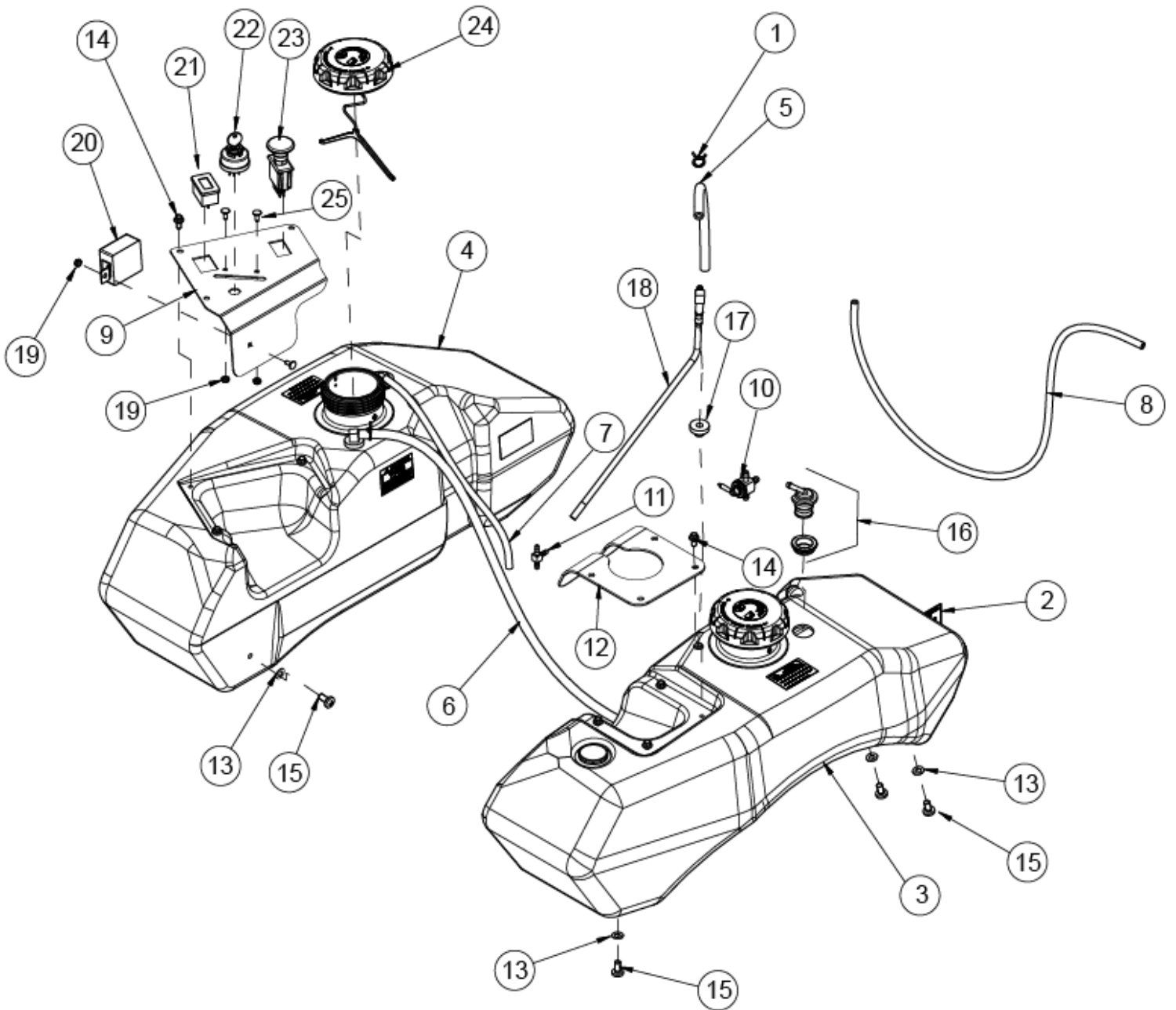
FUEL ASSEMBLY – CARB FX730 & FX801



FUEL ASSEMBLY – CARB FX730 & FX801

ITEM	PART NO.	DESCRIPTION
1	363098	CLAMP, FUEL LINE 1/4 I.D.
2	542117	CONTROL PANEL W/DECALS
3	543323	HOSE, FUEL 1/4 ID X 14.5
4	543326	WASHER, SPRING DISC 1/4
5	543328	HOSE, FUEL 18/4 ID X 32.5
6	543363	CANISTER, CARBON 680cc
7	543371	HOSE, VENT 3/16 ID X 26
8	543372	HOSE, VENT 3/16 ID X 12
9	543375	ASM, FUEL TANK LH
10	543376	ASM, FUEL TANK RH
11	583050	FUEL VALVE
12	623414	HOSE, FUEL 1/4 ID X 4"
13	5000130	REDUCER, HOSE 3/16-1/4
14	5204010	TEE, HOSE 3/16 ID
15	543277-1	CUP HOLDER, BLACK
16	B1972-A16	WASHER, SPRING DISC A16-1
17	B5783-612	SCREW, HH TAP M6 X 12
18	B5787-612	SCREW, FLANGED HH M6 X 12
19	B818-816	SCREW, PAN HEAD PHILLIPS M8 X 16
20	543278	GAUGE, FUEL 8.5"
21	543283	ASM, FUEL VENT W/GROMMET
22	533125	VALVE GROMMET – VITON
23	543306	FITTING, 90° FUEL W/TUBE 10"
24	107527	BOLT, CARRIAGE #10-24 X 1/2
25	104252	#10-24 HEX NYLOC NUT
26	543308	MODULE, SEAT DELAY
27	453417	METER, MS HOUR
28	5208070	ASM, IGNITION SWITCH
29	523031	PTO SWITCH
30	5204019	GAS CAP - EPA

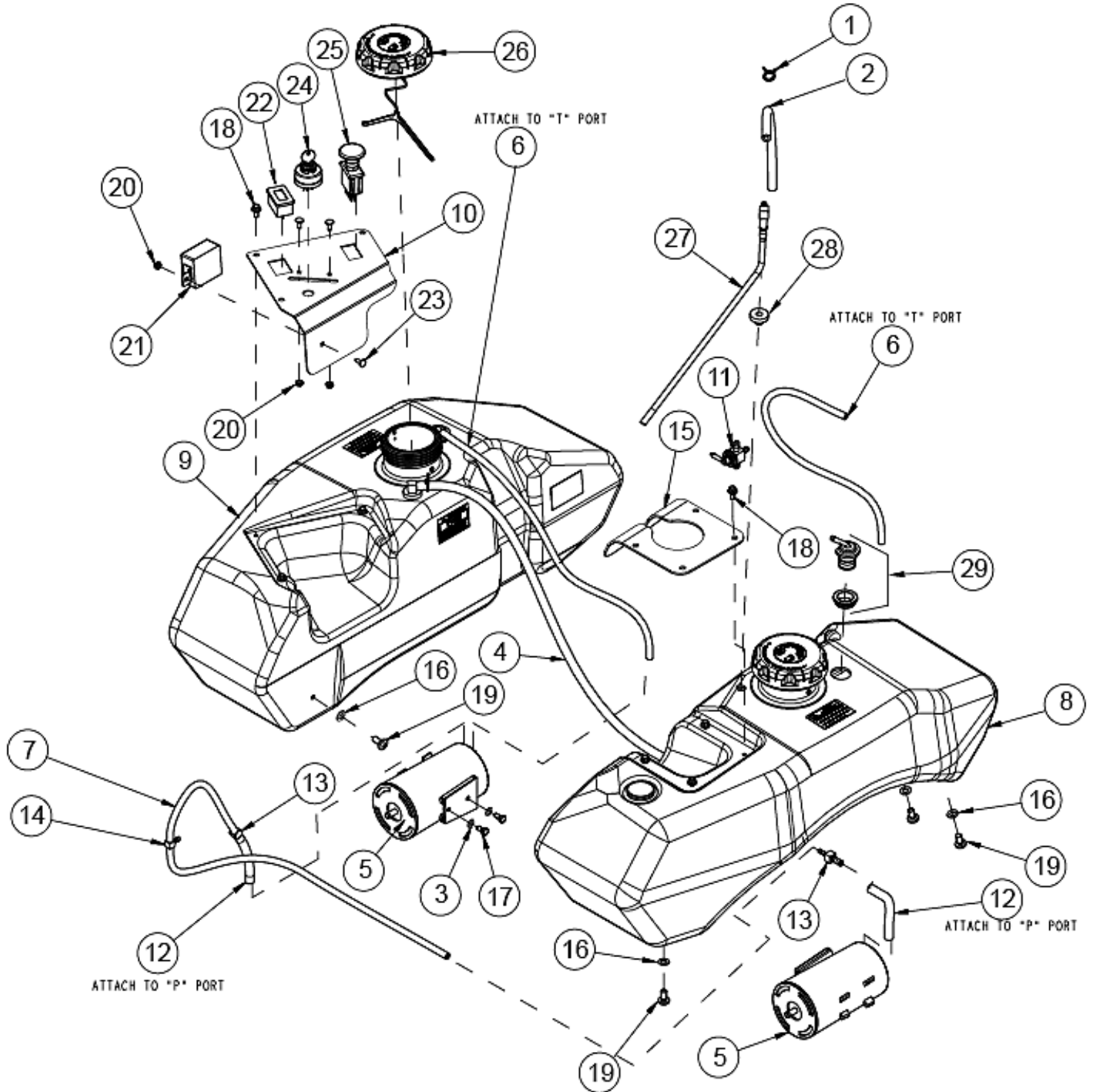
FUEL ASSEMBLY ECV749



FUEL ASSEMBLY – ECV749

ITEM	PART NO.	DESCRIPTION
1	363098	CLAMP, FUEL LINE 1/4 ID
2	363416	EPA LABEL
3	543375	ASM, FUEL TANK LH
4	543376	ASM, FUEL TANK RH
5	543323	HOSE FUEL 1/4 ID X 14.5
6	543328	HOSE, FUEL 1/4 ID X 32.5
7	543361	HOSE, VENT 3/16 ID X 15
8	543362	HOSE, VENT 3/16 ID X 36
9	543446-1	PANEL, CONTROL EFI BLACK
10	583050	FUEL VALVE
11	5204010	TEE, HOSE 3/16 ID
12	543277-1	CUP HOLDER, BLACK
13	B1972-A16	WASHER, SPRING DISC A16-1
14	B5787-612	SCREW, FLANGED HH M6 X 12
15	B818-816	SCREW, PAN HEAD PHILLIPS M8 X 16
16	543283	ASM, FUEL VENT W/GROMMET
17	533125	VALVE GROMMET – VITON
18	543306	FITTING, 90° FUEL W/TUBE 10"
19	104252	#10-24 HEX NYLOC NUT
20	543308	MODULE, SEAT DELAY
21	453417	METER, MS HOUR
22	5208070	ASM, IGNITION SWITCH
23	523031	PTO SWITCH
24	5204019	GAS CAP – EPA
25	107527	BOLT, CARRIAGE #10-24 X 1/2

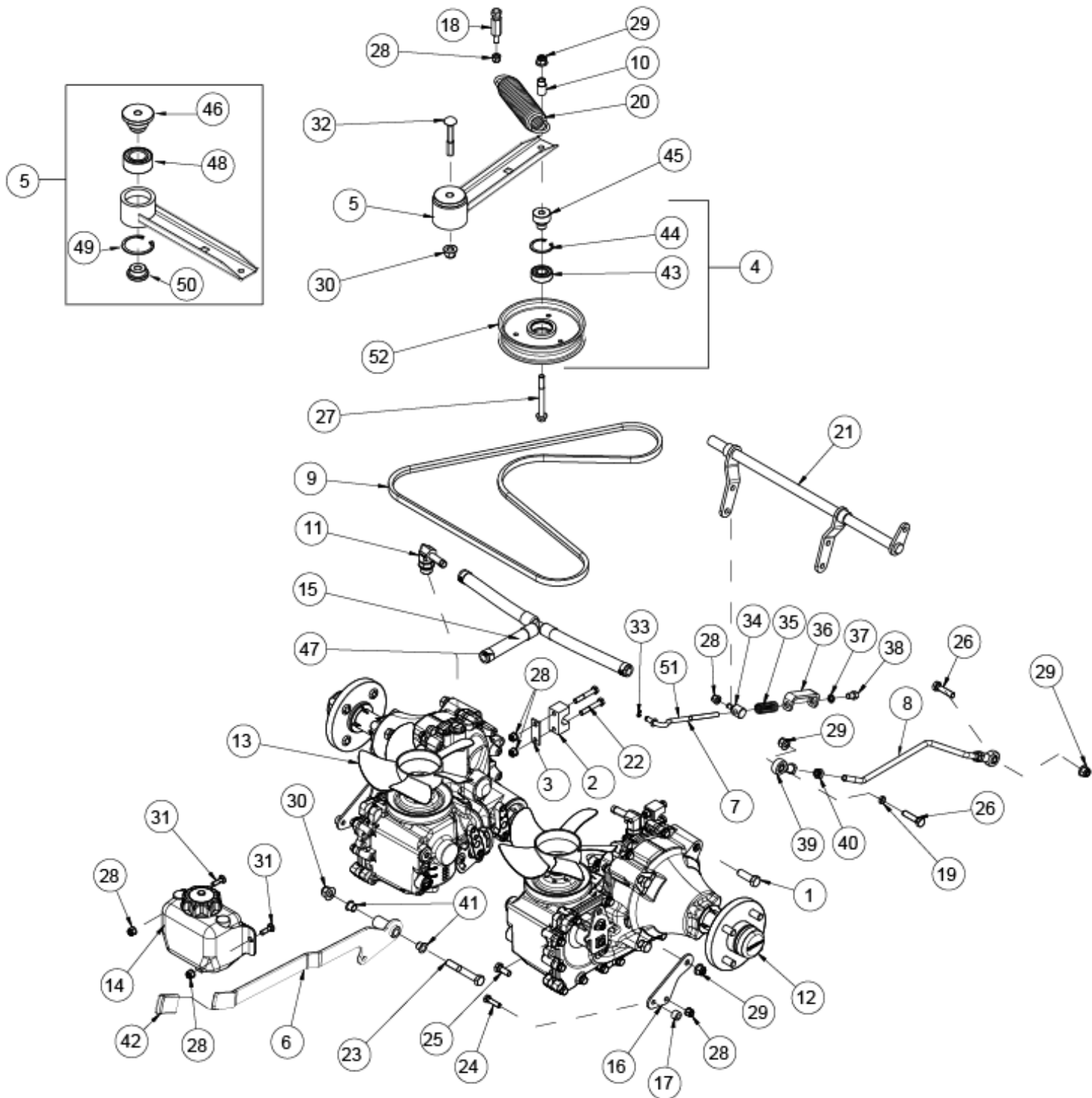
FUEL ASSEMBLY – EFI - CARB



FUEL ASSEMBLY – EFI - CARB

ITEM	PART NO.	DESCRIPTION
1	363098	CLAMP, FUEL LINE 1/4 ID
2	543323	HOSE, FUEL 1/4 ID X 14.5
3	543326	WASHER, SPRING DISC 1/4
4	543328	HOSE, FUEL 1/4 ID X 32.5
5	543363	CANISTER, CARBPM 680cc
6	543371	HOSE, VENT 3/16 ID X 26
7	543372	HOSE, VENT 3/16 ID X 12
8	543375	ASM, FUEL TANK LH
9	543376	ASM, FUEL TANK RH
10	543446-1	PANEL, CONTROL EFI, BLACK
11	583050	FUEL VALVE
12	623414	HOSE, FUEL 18/4 ID X 4
13	5000130	REDUCER, HOSE 3/16-1/4
14	5204010	TEE, HOSE 3/16 ID
15	543277-1	CUP HOLDER, BLACK
16	B1972-A16	WASHER, SPRING DISC A16-1
17	B5783-612	SCREW, HH TAP M6 X 12
18	B5787-612	SCREW, FLANGED HH M6 X 12
19	B818-816	SCREW, PAN HEAD PHILLIPS M8 X 16
20	104252	#10 -24 HEX NYLOC NUT
21	543308	MODULE, SEAT DELAY
22	453417	METER, MS HOUR
23	107527	BOLT, CARRIAGE #10-24 X 1/2
24	5208070	IGNITION SWITCH (ELECT)
25	523031	PTO SWITCH
26	5204019	GAS CAP – EPA
27	543306	FITTING, 90° FUEL W/TUBE 10”
28	533125	VALVE GROMMET – VITON
29	543283	ASM, FUEL VENT W/GROMMET

5400 HYDRO ASSEMBLY



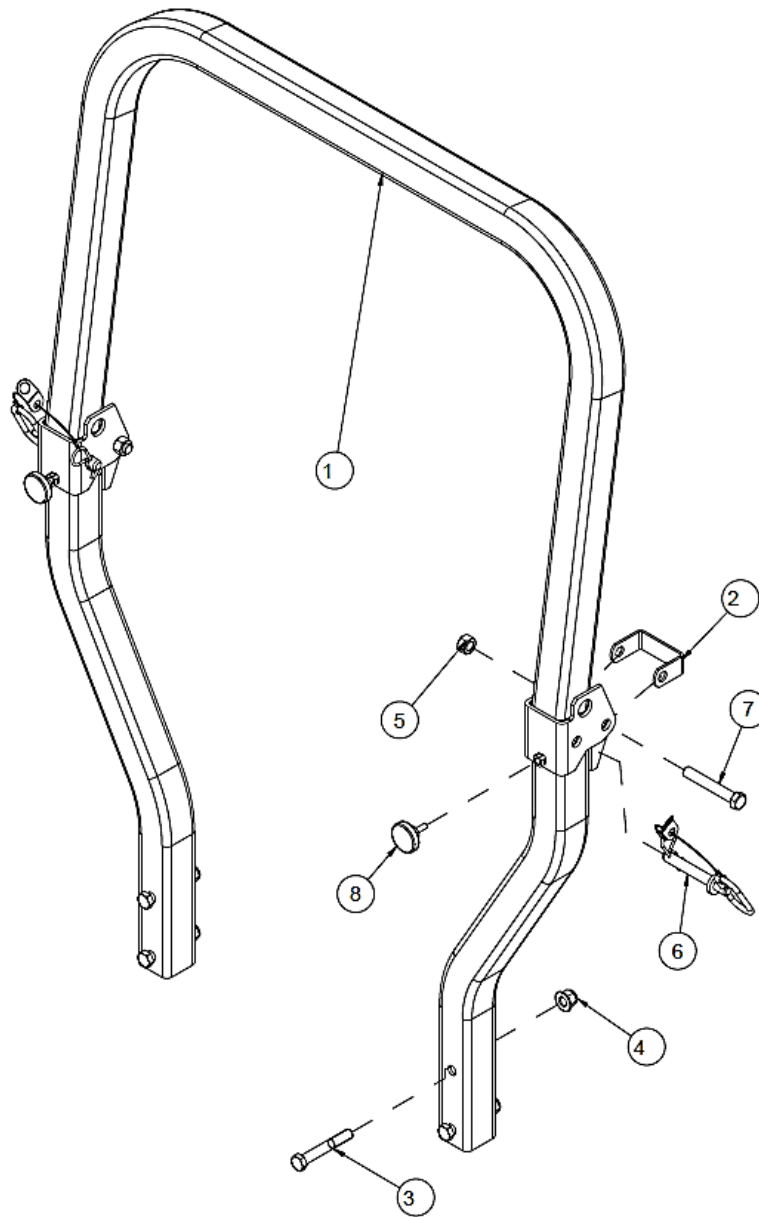
5400 HYDRO ASSEMBLY

ITEM	PART NO.	DESCRIPTION
1	100327	1/2-13 X 1-1/2 HHCS
2	353028	PIVOT BLOCK
3	353047	PIVOT BLOCK PLATE
4	542148	ASM, 150MM FLAT IDLER W/STEP SPACER
5	542126	ASM, HYDRO IDLER 5400 W/BEARING
6	542067	ASM, BRAKE LEVER WITH GRIP AND BUSHING
7	542094	ASM, BRAKE LINK 5400 COMPLETE
8	542103	ASM, BRAKE ROD COMPLETE
9	543005	BELT, HYDRO
10	543169	SPACER
11	543199	ADAPTER, HYDRAULIC 4601-08-10
12	543208	HYDRO, ZT 5400LH – 1015-1039L
13	543209	HYDRO, ZT 5400 RH – 1015-1039R
14	543285	TANK, HYDRO OVERFLOW 1 QT
15	543287	ASM, HYDRO VENT 5400
16	543315	EXTENSION, CONTROL ARM
17	543316	SPACER
18	543374	ANCHOR, SPRING 1.46
19	4801302	SPACER
20	5201002	SPRING, EXTENSION
21	542099-1	WLD, CROSS SHAFT BRAKE, BLACK
22	B5782-850	SCREW, HH M8x50
23	B5782-1280	SCREW, HH M12 X 80
24	B5783-830	SCREW, HH TAP M8x30
25	B5783-1025	SCREW, HH TAP M10x25
26	B5783-1040	BOLT M10X40
27	B5787-1090	SCREW, HH FLANGE M10 X 90
28	B6183-8	NUT, FLANGED NYLOC M8
29	B6183-10	NUT, NYLOC FLANGE M10
30	B6183-12	NUT, NYLOC FLANGE M12
31	B801-825	BOLT, CARRIAGE SN M8X25
32	B801-1275	BOLT, CARRIAGE SN M12 X 75
33	B896-6	E-CLIP 6
34	543201	SWIVEL, BRAKE
35	523024	SPRING, COMPRESSION
36	543386	RETAINER, BRAKE SPRING
37	363177	3/8 PUSH NUT
38	543387	NUT, BRAKE SPRING
39	543430	END, SPHERICAL ROD M10
40	B6170-10	NUT M10X1
41	543154	BUSHING, MOTION CONTROL
42	543300	GRIP, PARK BRAKE
43	B276-6303RS	BEARING 6303-2RS

5400 HYDRO ASSEMBLY

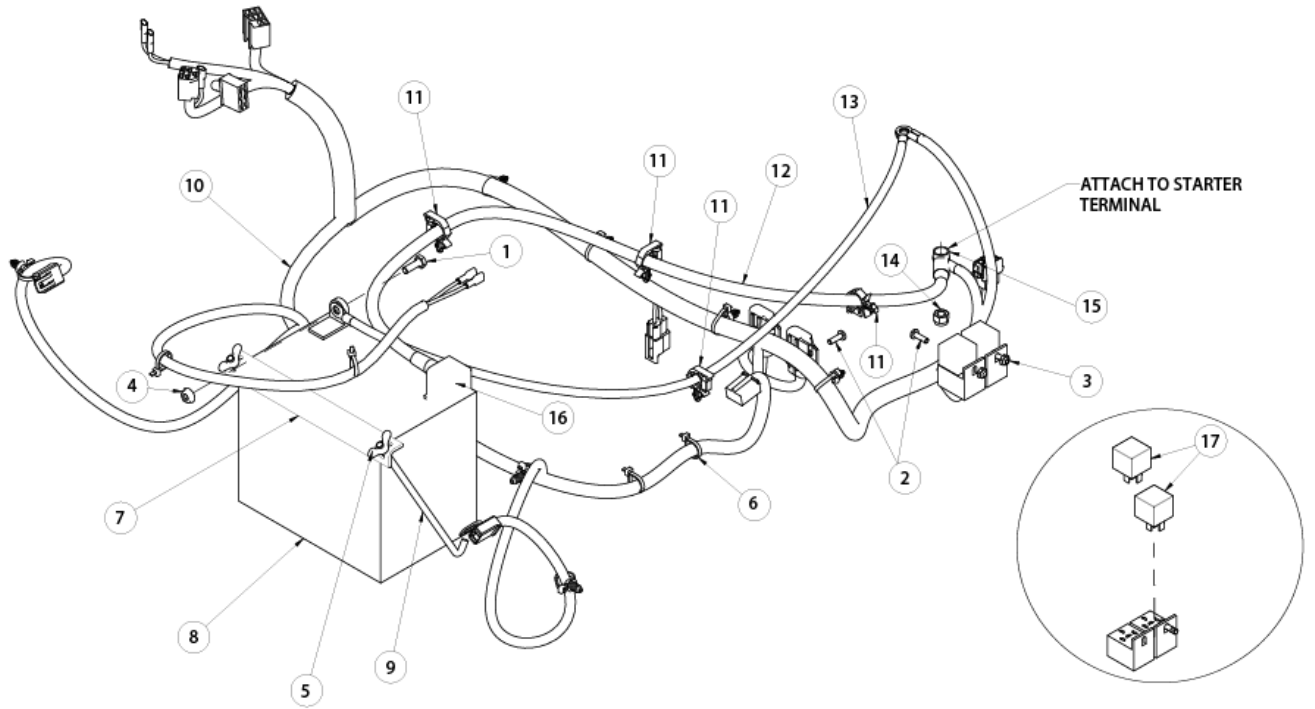
ITEM	PART NO.	DESCRIPTION
44	B893.2-47	SNAP RING 47
45	543098	SPACER, IDLER
46	543162	SPACER, STEPPED
47	363269	CLAMP, HYDRO HOSE
48	543236	BEARING, 30BD40DF2
49	B893.2-56	RING, SNAP 56mm
50	543164	SPACER, STEPPED
51	543205	LINK, BRAKE 5400
52	542028	IDLER, FLAT 150 mm

ROPS ASSEMBLY



ITEM	PART NO.	DESCRIPTION
1	541002	ROPS ASSEMBLY, COMPLETE
2	543443	ROPS STOP
3	B5782-1280	SCREW, HH M12 X 80
4	B6183-12	NUT, NYLOC FLANGE M12
5	104259	1/2-13 HEX NYLOC NUT
6	543262	PIN, ROPS W/LANYARD
7	100332	SCREW, HH 1/2-13 X 3-1/4
8	543261	KNOB, ROPS

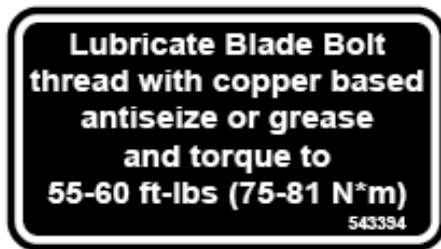
ELECTRICAL ASSEMBLY



ELECTRICAL ASSEMBLY

ITEM	PART NO.	DESCRIPTION
1	100252	1/4-20 X 3/4 HHCS
2	101039	#10-24 X 5/8 MACH SCREW
3	104252	#10-24 HEX NYLOC NUT
4	109000	1/4-20 WHIZLOCK NUT
5	109012	1/4 WING NUT
6	363222	PLASTIC TIE
7	423011	HOLDDOWN ANGLE - PAINTED
8	FOR REFERENCE ONLY	BATTERY 12V
9	423172	BATTERY HOLD DOWN ROD - PLATED
10	543267	HARNESS, WIRING
11	543309	CLIP, ROSEBUD LOOM 13MM
12	543329	ASM, BATTERY CABLE POSITIVE
13	543330	CABLE, BATTERY NEGATIVE
14	B6182-8	NUT, NYLOC M8
15	423158	TERMINAL INSULATOR CAP
16	343134	BATTERY BOOT
17	5208042	12V RELAY (USA)

DECAL GROUP



543394



543405



543408



8324



543391



543433



8303



543392



8307



8327



8326



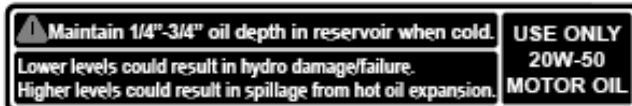
8304



8318



363023



543396



8008



543404



543401

DECAL GROUP



543395



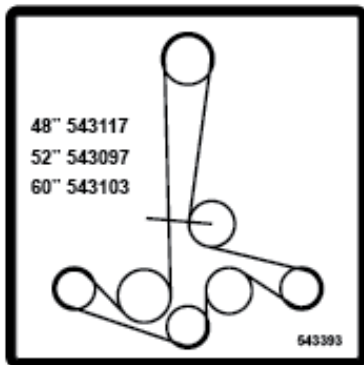
453389



453390



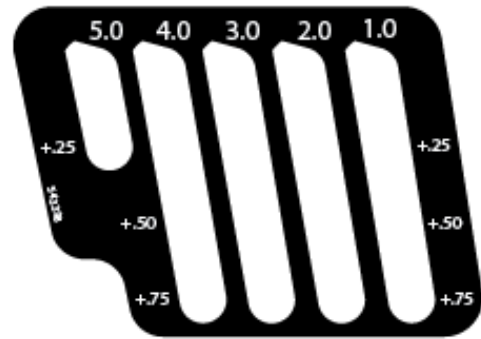
543455



543393



543380



543398

WORLDLAWN

463445

WORLDLAWN

463444

WARNING



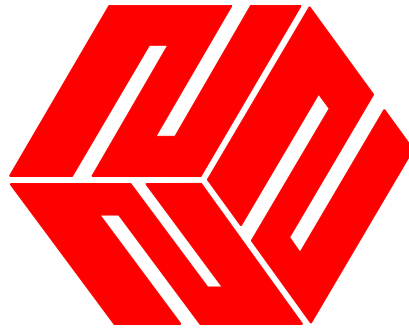
BATTERY CONTAINS SULFURIC ACID. AVOID CONTACT AND ALWAYS SHIELD EYES, FACE AND SKIN FROM BATTERY. CIGARETTES, FLAMES OR SPARKS COULD CAUSE BATTERY TO EXPLODE. DO NOT CHARGE OR USE BOOSTER CABLES WITHOUT PROPER TRAINING. IN EVENT OF AN ACCIDENT FLUSH WITH WATER AND CALL A PHYSICIAN IMMEDIATELY.

543397

543397

WORLDLAWN

633236



WORLDLAWN®

ALL RIGHTS RESERVED

CONTENTS SUBJECT TO CHANGE

KING COBRA PARTS MANUAL

933265

202308