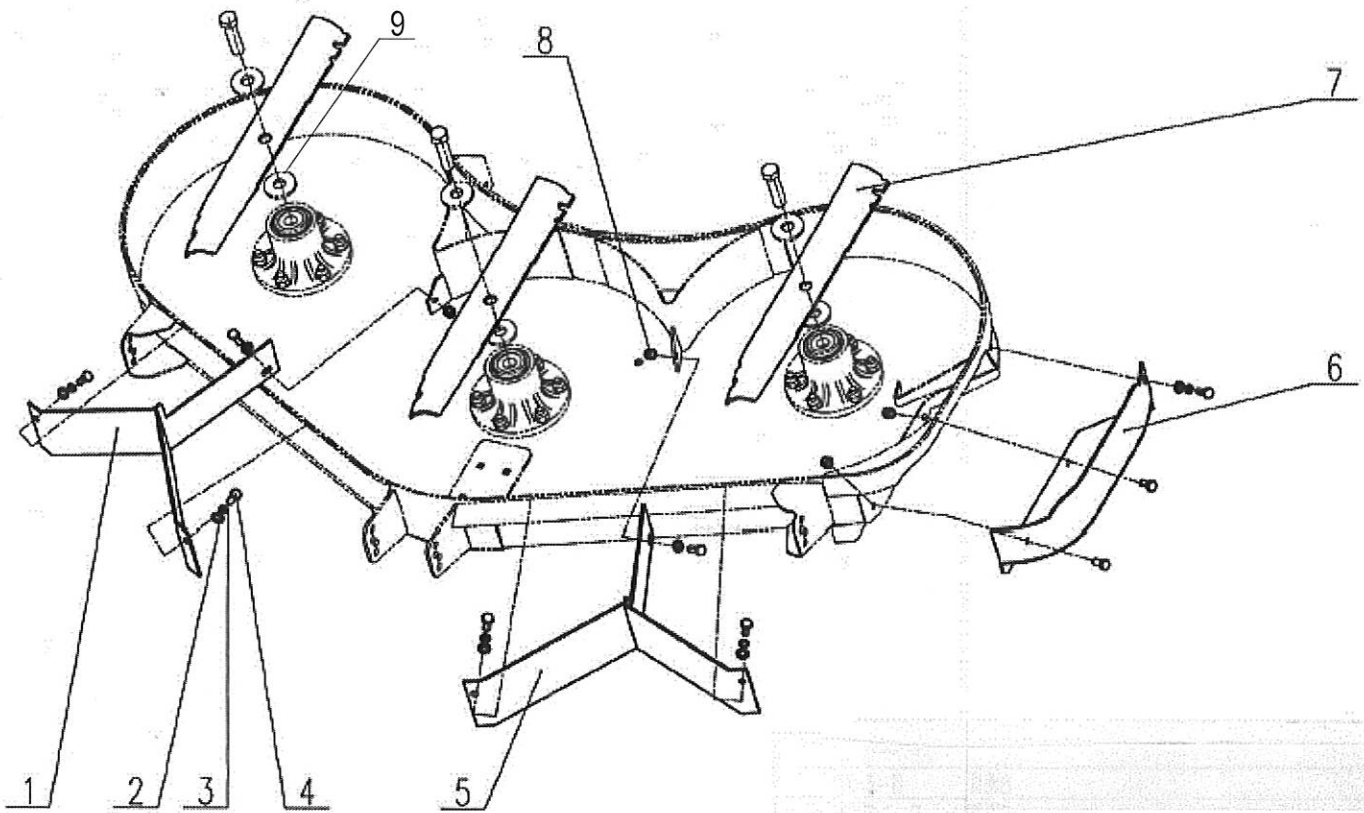


4601370 46" MULCH KIT



ITEM	DESCRIPTION	PART NO.	QTY
1	BAFFLE, LH MULCH	4601374	1
2	WASHER 8	B97.1-8	7
3	Washer 8 - LOCKWASHER	B93-8	5
4	BOLT M8 X 20	B5787-820	9
5	BAFFLE, RH MULCH	4601371	1
6	COVER, MULCH	4601377	1
7	BLADE, MULCH 16"	4601003	3
8	NUT, NYLOC M8	B6182-8	4
9	BLADE WASHER	5001301	3

INSTRUCTIONS:

1. Remove bird wing baffle from front left underside of the cutting deck and install the left and right mulch baffles provided in the kit. Attach with hardware provided 3 places for each baffle.
2. Remove standard blades from cutter spindles and install mulch blades. Torque the blade bolts to 50-60 ft-lb.
3. Remove discharge chute from deck and install block plate.