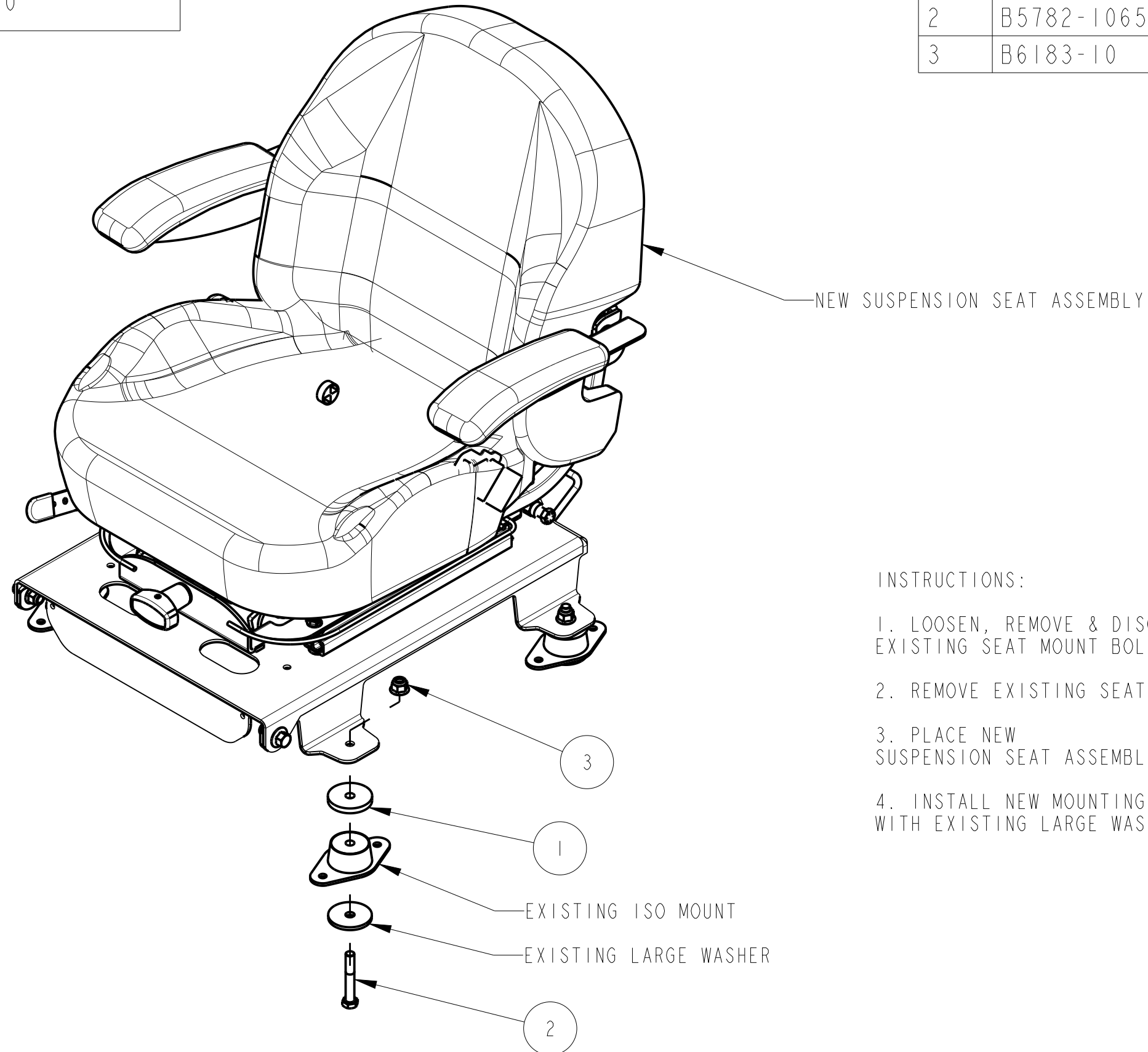


KIT, RETRO SUSP SEAT

933310

ITEM	PART NO.	DESC.	QTY.
1	103037	WASHER, FLAT .406 X 2.00 X .250	4
2	B5782-1065	SCREW, HH M10X65	4
3	B6183-10	NUT, FLANGED NYLOC M10	4



INSTRUCTIONS:

1. LOOSEN, REMOVE & DISCARD ALL FOUR EXISTING SEAT MOUNT BOLTS & NUTS, SIMILAR TO ITEM 2 & ITEM 3.
2. REMOVE EXISTING SEAT ASSEMBLY.
3. PLACE NEW SUSPENSION SEAT ASSEMBLY ONTO THE SEAT ISO MOUNTS.
4. INSTALL NEW MOUNTING HARDWARE (ITEMS 1, 2, & 3) ALONG WITH EXISTING LARGE WASHER, THEN TIGHTEN.