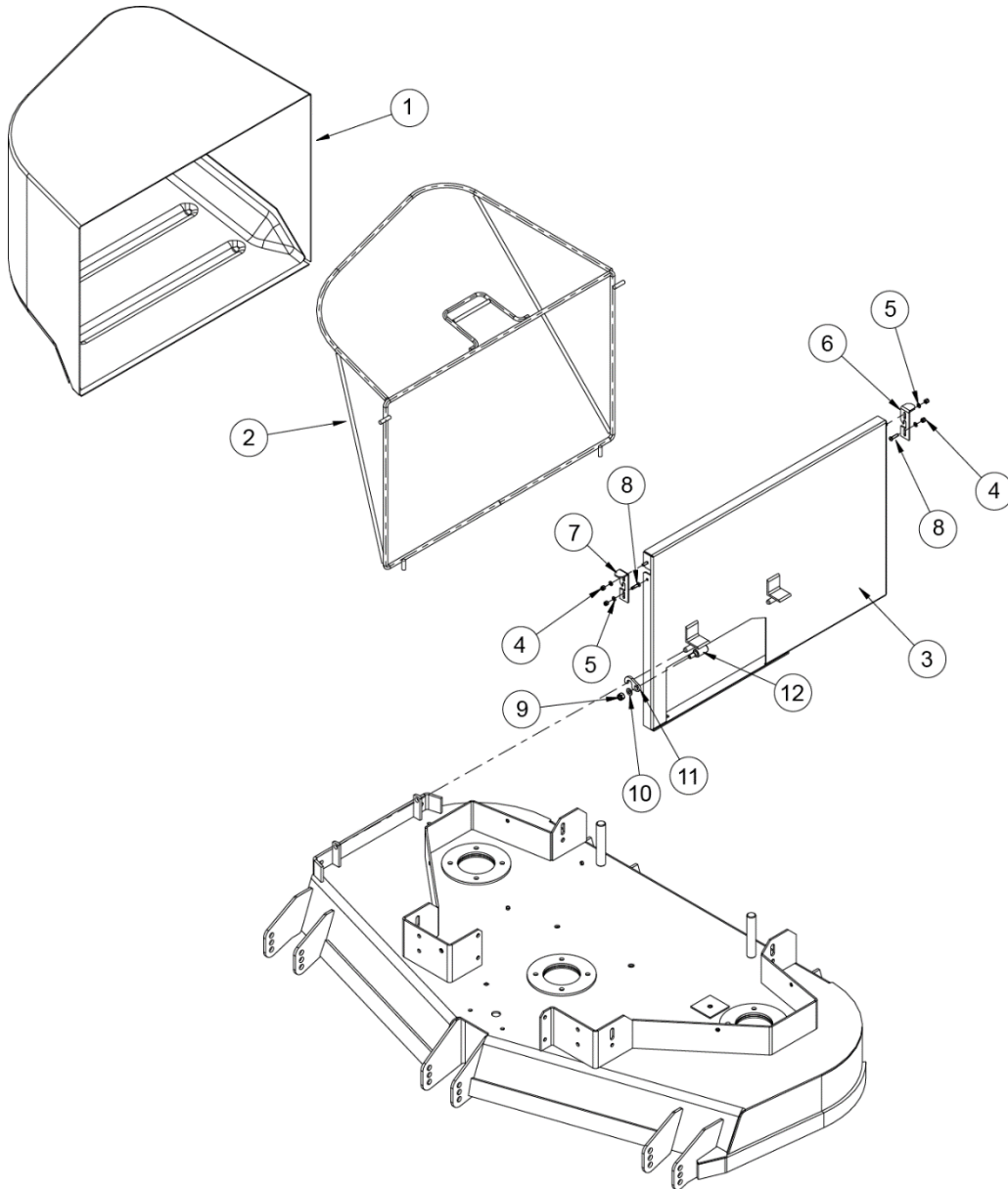


151035 GRASS CATCHER 48" STANDON



ITEM NO.	PART NO.	DESCRIPTION
1	152093	PAN AND CATCHER 2.8BU
2	4810200	GRASS CATCHER WIRE FRAME
3	4810100A	GRASS CATCHER MOUNT WELDMENT
4	B6182-5	NUT, NYLOC M5
5	B97.1-5	WASHER 5
6	2802203	GRASS CATCHER LATCH, RH
7	2802202	GRASS CATCHER LATCH LH
8	B823-520	SCREW M5X20
9	B6182-8	NUT, NYLOC M8
10	B97.1-8	WASHER 8
11	4810101	LOCK CATCH