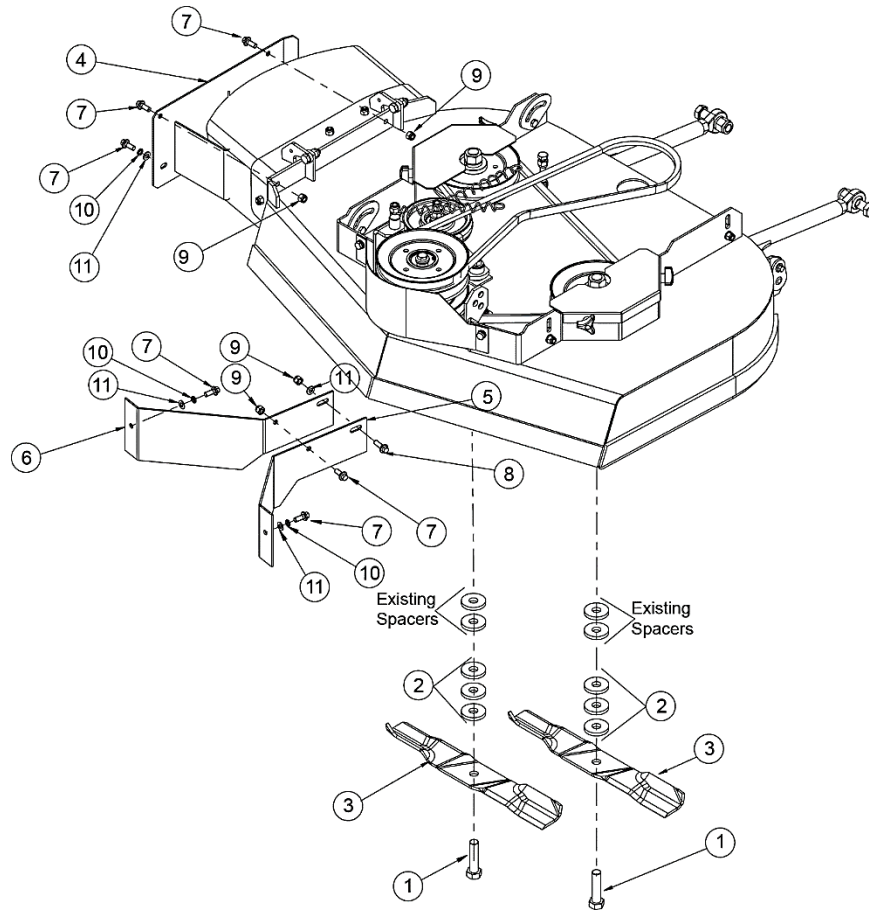


461033 MULCH KIT FOR 32" COMPACT STANDON



1. Remove the standard blades, save the hardware and spacers
2. Thoroughly clean the underside of the deck
3. Assembly the mulch baffle in the center for the deck
4. Install the mulch blades with five (5) washers and 2-1/2" bolt on each spindle.
Torque to 50/60 ft/lbs
5. Remove discharge chute from deck and install block plate with hardware provided.

ITEM	PART NO.	DESCRIPTION	QTY
1	100359	5/8-11 X 2 1/2 HHCS	2
2	363382	BLADE SPACER	6
3	463579	MULCHING BLADES, 16.5"	2
4	462169-2	WLD, 32/36 SO MULCH DOOR	1
5	463264-2	BAFFLE, LARGE MULCH	1
6	463265-2	BAFFLE, SMALL MULCH	1
7	B5787-820	SCREW, HH FLANGE M8X20	6
8	B5787-825	SCREW, HH FLANGE M8x25	1
9	B6182-8	NUT, NYLOC M8	4
10	B93-8	LOCKWASHER 8	3
11	B97.1-8	WASHER 8	4