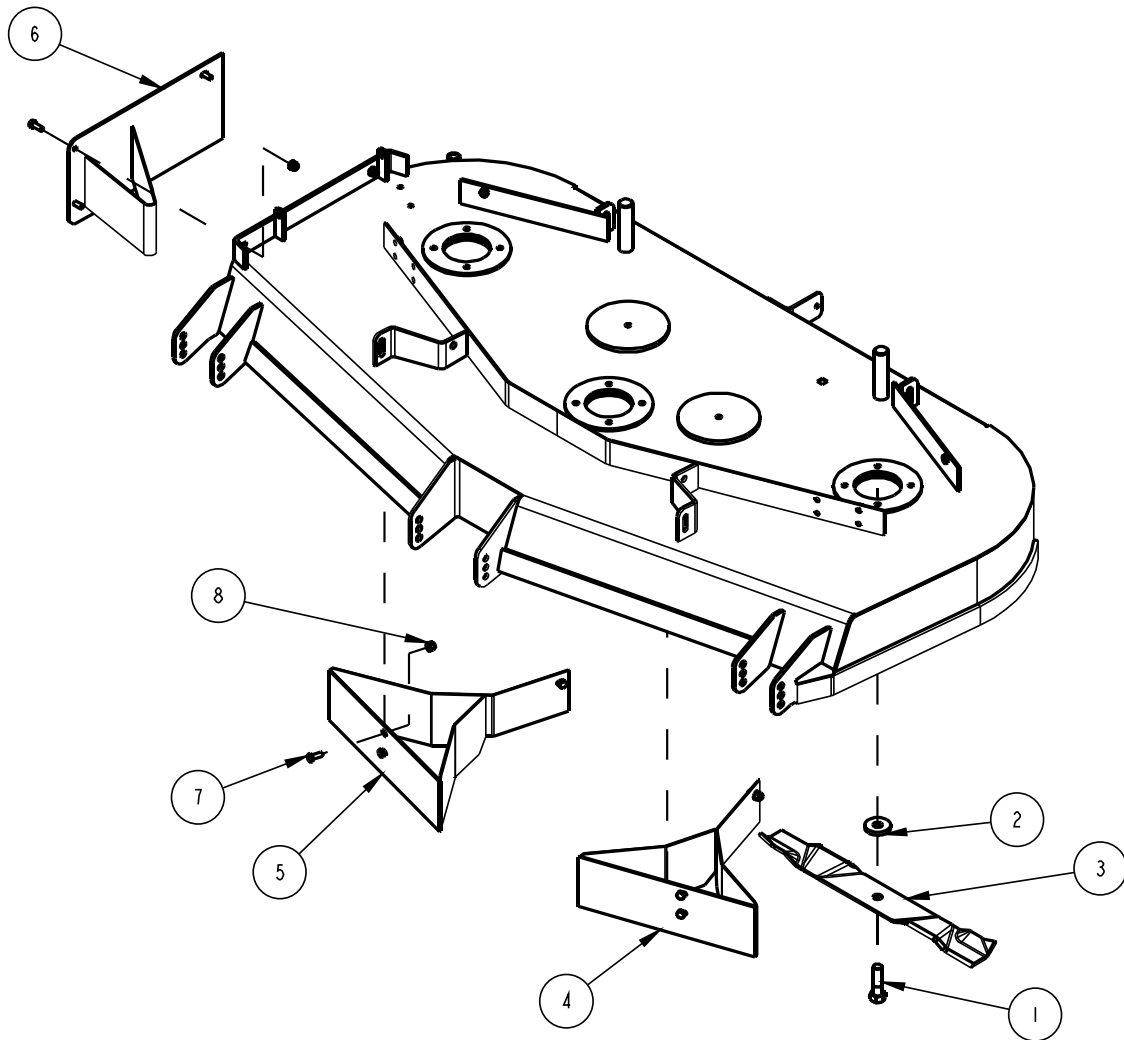


631027 MULCH KIT FOR 60" MODELS



ITEM	DESCRIPTION	PART NO.	QTY
1	5/8-11 X 2-1/4 HHCS	100358	3
2	BLADE SPACER	363382	3
3	BLADE, 20.5" MULCH	633340	3
4	WLD, MULCH 60 LH - RED	542087-2	1
5	WLD, MULCH 60 RH - RED	542088-2	1
6	WLD, BLOCK PLATE 60 - RED	542089-2	1
7	SCREW, HH TAP M8x20	B5783-820	9
8	NUT, FLANGED NYLOC M8	B6183-8	8

1. Remove bird wing baffle from front left underside of the cutting deck and install the left and right mulch baffles provided in the kit. Attach with hardware provided, 3 places for each baffle.
2. On each spindle, remove standard blades and fasteners from cutter spindles and install (4) blade spacers, using (3) existing, (1) mulch blade, (1) existing spring washer and (1) new 5/8" bolt. Torque the blade bolts to 50-60 ft-lb.
3. Remove discharge chute from deck and install block plate with hardware provided.