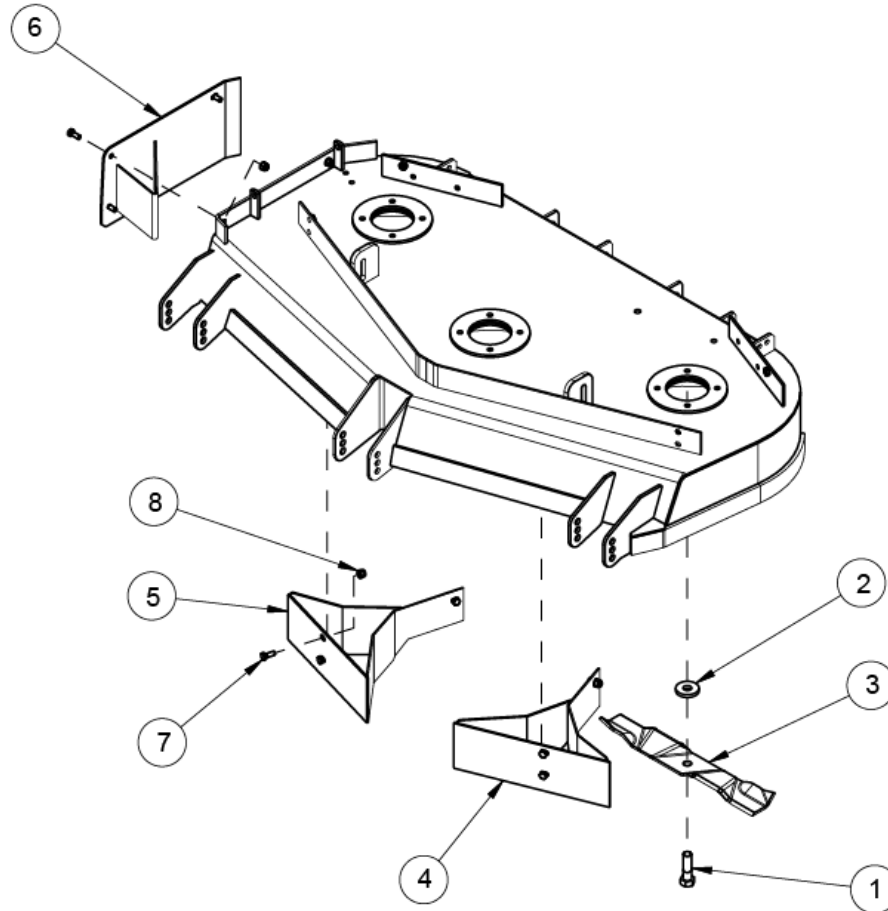


## 461025 48" MULCH KIT



ITEM	PART NO.	DESCRIPTION	QTY
1	100358	5/8-11 X 2-1/4 HHCS	3
2	363382	BLADE SPACER	3
3	483049	MULCH BLADE 16.25	3
4	542068-2	WLD, MULCH 48 LH – RED	1
5	542082-2	WLD, MULCH 48 RH – RED	1
6	542083-2	WLD, BLOCK PLATE 48 – RED	1
7	B5783-820	SCREW, HH TAP M8 X 20	9
8	B6183-8	NUT, FLANGED NYLOC M8	8

1. Remove bird wing baffle from from left underside of the cutting deck and install the left and right mulch baffles provided in the kit. Attach with hardware provided, 3 places for each baffle.
2. On each spindle, remove standard blades and fasteners from cutter spindles and install (4) blade spacer, using (3) existing, (1) mulch blade, (1) existing spring washer and (1) new 5/8" bolt. Torque the blade bolts to 50-60 ft-lb.
3. Remove discharge chute from deck and install block plate with hardware provided.