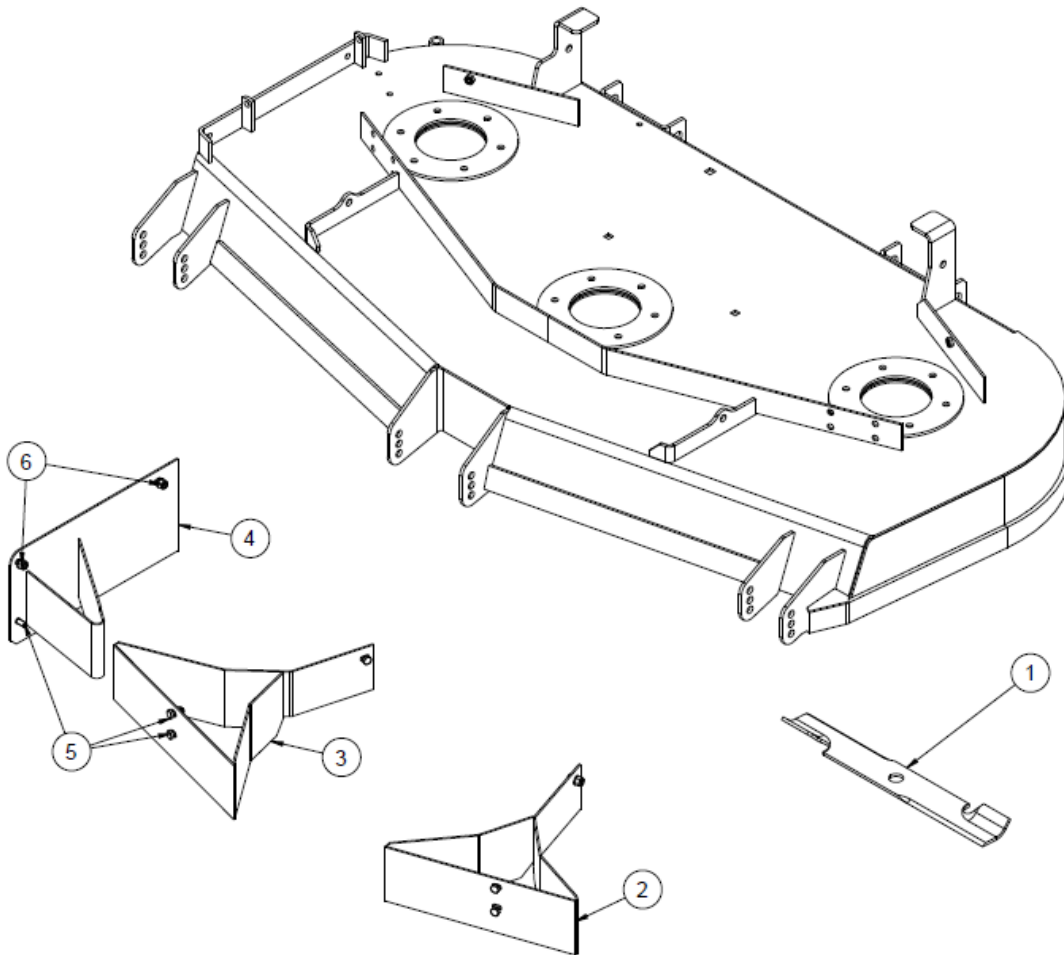


541006 MULCH KIT FOR 60 ZTR MODELS



ITEM	DESCRIPTION	PART NO.	QTY
1	MULCH BLADE 20.5"	543437	3
2	WLD, MULCH 60 LH	542087-2	1
3	WLD, MULCH 60 RH	542088-2	1
4	WLD, BLOCK PLATE 60	542089-2	1
5	BOLT M8 X 20	B5787-820	9
6	NUT M8	B6183-8	8

INSTRUCTIONS:

1. Remove bird wing baffle from front left underside of the cutting deck and install the left and right mulch baffles provided in the kit. Attach with hardware provided 3 places for each baffle.
2. Remove standard blades from cutter spindles and install mulch blades. Torque the blade bolts to 50-60 ft-lb.
3. Remove discharge chute from deck and install block plate.