



SERVICE BULLETIN



WORLDLAWN POWER EQUIPMENT, INC.

Bulletin Number: SB1205

Date: 8/03/2012

To: Distributors and Dealers:

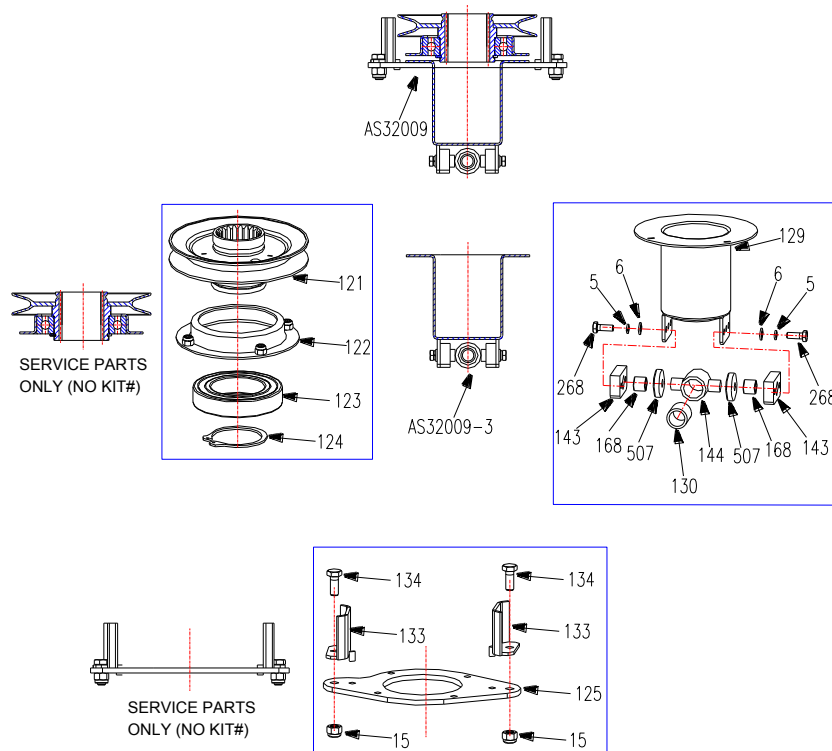
Model: WY32 & WY36 Walk-Behind Models

Subject: Additional information on deck drive spindle housing assembly retrofits and replacement parts and assemblies.

Course of Action:

Please add the attached documents to your Worldlawn service information for future reference.

5. AS32009 Spindle Housing Assembly AS32009-3 Dust Cover Assembly



(AS32009-3 ALSO CAN BE USED ON 2010 & 2011 MODELS WY36)

REF.	PART NO.	DESCRIPTION	QUANTITY
5	B93-6	Split Lock Washer M6	4
6	B97.1-6	Flat Washer M6	4
15	B6182-8	Locknut M8	2
121	3602820A	Belt Pulley Weldment	1
122	3602810	Bearing Housing	1
123	B276-6011RS	Bearing 6011-2RS	1
124	B894.2-55	Snap Ring M55	1
125	3202201	Mounting Plate	1

REF.	PART NO.	DESCRIPTION	QUANTITY
129	3602990	Dust Cover Weldment	1
130	3602029	Nylon Bushing	1
133	3602750	Belt Guide Weldment	2
134	B5783-820	Hex Hd Bolt M8x20	2
143	3602993	Sliding Block	2
144	3602995	Sleeve Weldment	1
168	B/T12613-P141212	Rolling Sleeve	2
268	B5783-616	Bolt M6x16	4
507	3602030	Rubber Pad	2

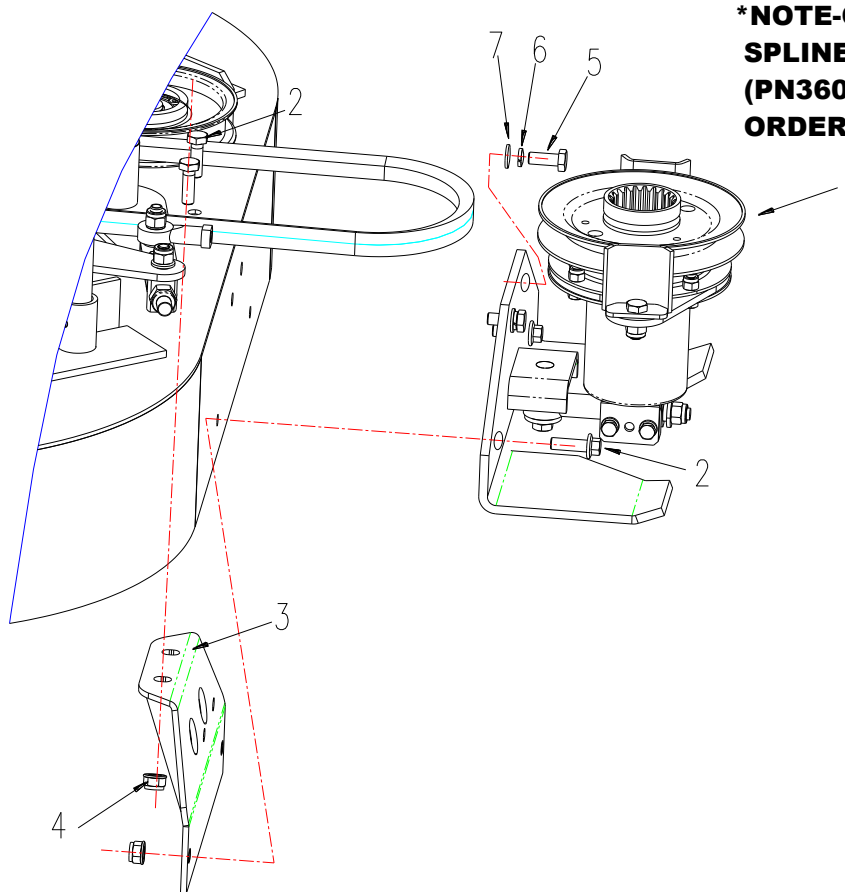
Reference number should be the same as that shown in the WY32 parts catalog (32102-201110).



***AS36009 KIT TO BE USED ON 2008&2009 MODELS-WY36
(NOTE: AS36009 kit can be used on WY32 2010&2011
models if mounting brackets are eliminated;
PN3602858 is not sold separately.)**

WY36

7. AS36009 Mower Deck Spindle Housing Assembly Complete



***NOTE-CHECK WEAR ON
SPLINE HOUSING ALSO
(PN3607005B) MUST BE
ORDERED SEPARATELY**

REF. NO.	PART NO.	DESCRIPTION	QUANTITY
* 1	3602858	Bearing Seat Assembly (As accessory)	1
2	B5787-825	Bolt M8×25	4
3	3602850	Reinforcing Plate Weldment	1
4	B6177-8	Nut M8	4
5	B5783-825	Bolt M8×25	2
6	B93-8	Split Lock Washer M8	2
7	B97-8	Washer M8	2

***NOTE-AS36009 COMES PRE-PACKAGED-(PN3602858 NOT SOLD SEPARATELY)**