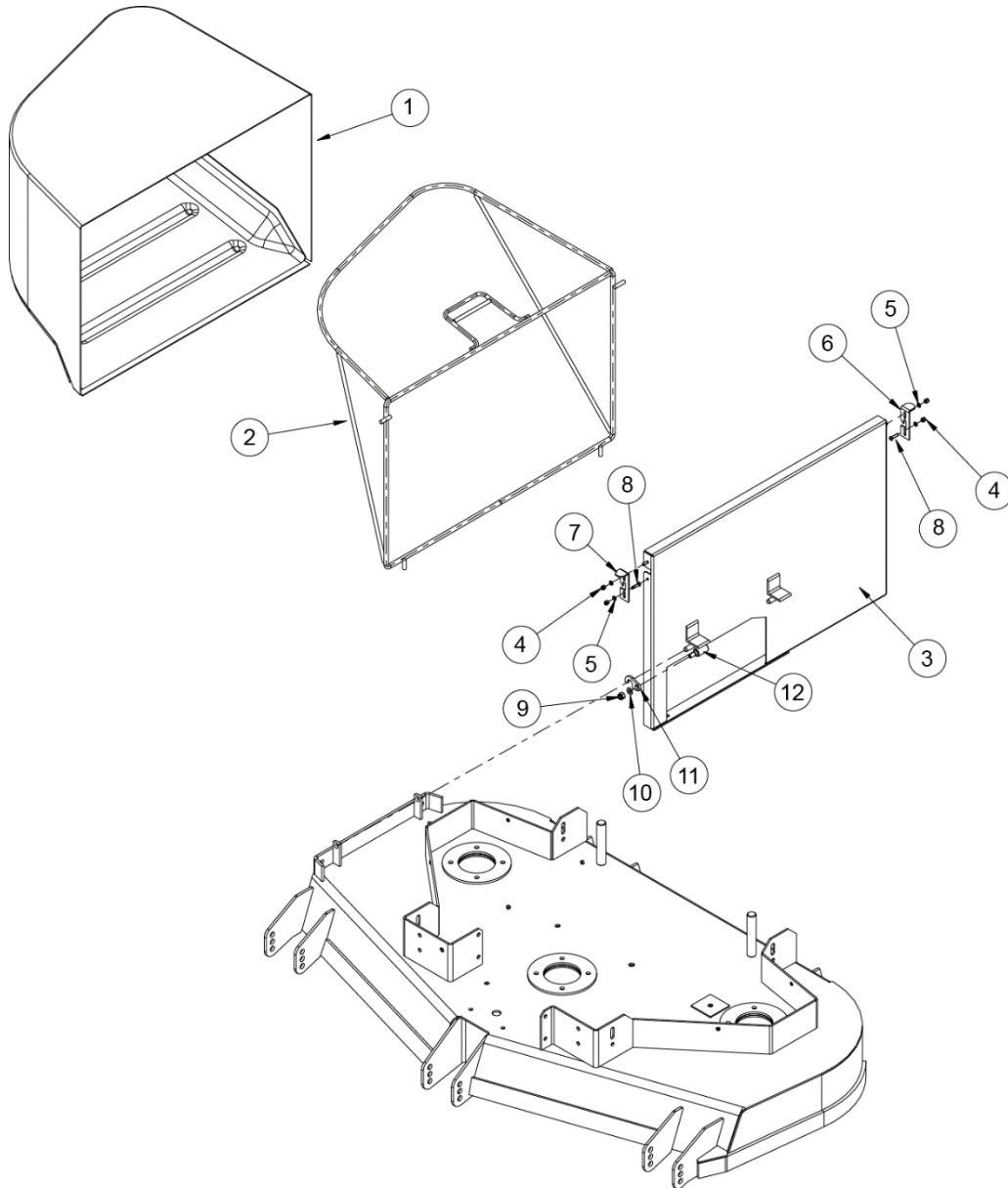


151034 GRASS CATCHER 52"/60" STANDON



ITEM NO.	PART NO.	DESCRIPTION
1	152092	PAN AND CATCHER 3.5BU
2	152091-1	GRASS CATCHER WIRE FRAME
3	152089	ASM, BACK PLATE 52 SO
4	B6182-5	NUT, NYLOC M5
5	B97.1-5	WASHER 5
6	2802203	GRASS CATCHER LATCH, RH
7	2802202	GRASS CATCHER LATCH LH
8	B823-520	SCREW M5X20
9	B6182-8	NUT, NYLOC M8
10	B97.1-8	WASHER 8
11	4810101	LOCK CATCH