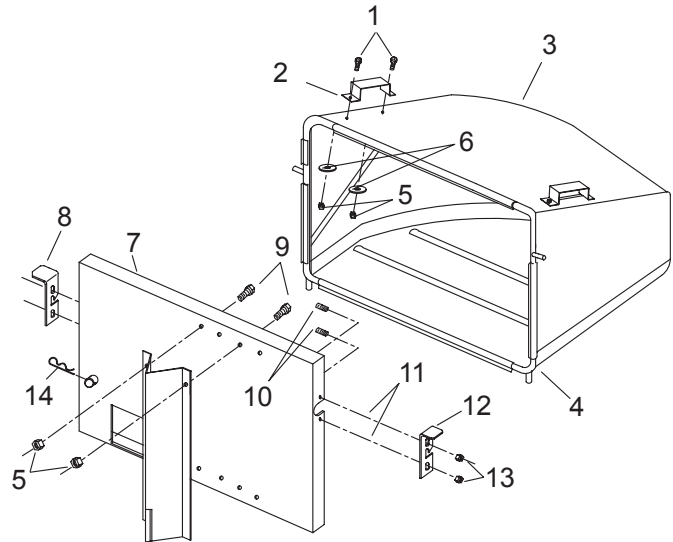


Parts List and Assembly Instructions

Part Number: 151001
Capacity: 3 Bushels

#	PART #	QTY	DESCRIPTION
1	100254	4	1/4 X 1 HHCS
2	153003	2	BAG HANDLE
3	152007	1	PAN & CATCHER COMPLETE
4	152005	1	FRAME ASSEMBLY
5	104255	8	1/4 NYLOC HEX NUT
6	105256	4	1/4 STANDARD FLAT WASHER
7	152003	1	BACKPLATE ASSEMBLY
8	153010	1	RIGHT LATCH </td
9	100251	4	1/4 X 5/8 HHCS
10	101039	4	#10 X 5/8 PAN HEAD MACHINE SCREW
11	105500	4	1/4" WAVY WASHER
12	153007	1	LEFT LATCH
13	104252	4	#10 NYLOC HEX NUT
14	153025	1	#4 HAIRPIN COTTER
15	152001	1	BACKPLATE SUPPORT ASSEMBLY



ASSEMBLY INSTRUCTIONS:

FIRST

Remove all items from carton and lay out in an orderly manner.

SECOND

Attach backplate to backplate support with four 1/4 – 20 x 5/8 Lg. hex head cap- screws and four 1/4 – 20 hex nuts.

THIRD

Attach left and right latch to backplate as shown above using four #10 – 24 x 5/8 pan head screws, four 1/4" spring washers and four #10 –24 hex nuts. Do not tighten nuts completely, as latches must slide up and down freely.

FOURTH

Install sewn bag to frame using a screwdriver to attach the "J" strip to frame.

FIFTH

Attach the two bag handles to bag/frame assembly with four 1/4 – 20 x 1 cap- screws, four handle washers and four 1/4 – 20 hex nuts. Insert capscrews through hole in handle – through bag and between two parallel round bars (welded in place on frame), install washers and tighten nuts.

NOTE!

To install on mower deck – Insert vertical rod welded on backplate support into tube receptacle welded on mower deck, swing backplate against deck inserting pin (welded on backplate) into hole on grass catcher mount bracket (welded on deck), install hairpin cotter into pin (welded on backplate).