

Operator's Manual



WORLDLAWN®

WY 36

Commercial Mower



Worldlawn Power Equipment, Inc.

422 Turnbull Canyon Road, City of Industry, CA 91744

Toll Free Number: 1-866-9-Mowers (1-866-966-9377)

OPERATOR'S MANUAL

This manual contains assembly, operating, maintenance, adjustment and safety instructions for your WY36 lawn mower.

Before operating your mower, carefully read this manual in its entirety.

By following the operating, maintenance, adjustment and safety instructions, you will prolong the life of your mower, maintain its maximum efficiency and promote safe operation .

Keep this mower Owner's Manual when lent or transferred.

Should this mower Operator's Manual become lost, damaged or illegible ,replace immediately, replacements may be ordered through our sales department.If additional information is needed, contact our sales department or a dealer.Always give the model number and serial number.

To improve the quality,maneuverability and security of our products,We may make changes of our products. Sorry for the inconvenience if you find the products in hand a bit different from the manual.



POTENTIAL HAZARD

- This product is a piece of power equipment

WHAT CAN HAPPEN

- Failure to follow safe operating practices can result in serious operator injury or even death

HOW TO AVIOD THE HAZARD

- Keep all shields ,guards and safety devices (especially the grass discharge system)in place and in proper working condition.
- Stop machine and wait for all moving parts to stop ,remove spark plug wires or remove key before adjusting ,servicing,or performing maintenance.,
- If mower deck becomes clogged, stop machine and wait for all moving parts to stop.Remove spark plug wire or remove key before cleaning blockage .
- Keep hands ,feet ,and clothing away from power driven parts ,
- Keep others off mower.



POTENTIAL HAZARD

- Gasoline is harmful or fatal if swallowed.Long-term exposure to vapors have been known to caused cancer in laboratory animals .

WHAT CAN HAPPEN

- Failure to use caution may cause serious injury or illness,

HOW TO AVIOD THE HAZARD

- Avoid prolonged breathing of vapors .
- Keep face away from nozzle and gas tank opening
- Keep away from eyes and skin.
- Never siphon by mouth .



TABLE OF CONTENTS

1. SAFETY 1

 1.1 Safety Alert Symbol..... 1

 1.2 Training..... 1

 1.3 Preparation..... 1

 1.4 Operation..... 2

 1.5 Maintenance & Storage..... 4

 1.6 Safety Signs..... 4

2. SPECIFICATIONS..... 7

 2.1 Model Number..... 7

 2.2 Engine..... 7

 2.3 Frame Assembly..... 7

 2.4 Drive System..... 7

 2.5 Cutter Deck..... 7

 2.6 Operator Controls..... 7

 2.7 Accessories..... 8

 2.8 Approximate Dimensions..... 9

 2.9 Torque Requirements..... 9

3. Assembly Instructions..... 9

 3.1 Open Crate..... 9

 3.2 Initial Instructions 9

 3.3 Service Engine..... 9

4. OPERATION INSTRUCTIONS..... 10

 4.1 Pre-start..... 10

 4.2 Starting Engine..... 10

 4.3 Mowing..... 10

 4.4 Moving Operation..... 11

 4.5 Stopping Engine..... 11

5. MAINTENANCE & ADJUSTMENTS..... 11

 5.1 Periodic Maintenance..... 11




CONTENTS

5.1.1 Check the engine Oil Lever.....	11
5.1.2 Clean Engine Air Cooling System.....	12
5.1.3 Clean Grass Build-up Under Deck.....	12
5.1.4 Check Mower Blades.....	12
5.1.5 Check Safety Interlock system.....	12
5.1.6 Check For Loose HardWare.....	13
5.1.7 Service Air Cleaner.....	12
5.1.8 Change Engine Oil.....	13
5.1.9 Check Tire Pressure.....	13
5.1.10 Check Condition of Belts.....	13
5.1.11Lubricate Grease Fitting.....	13
5.2 Adjustments.....	14
6. TROUBLE SHOOTING.....	15
7. ELECTRICAL DIAGRAM.....	17
8. WARRANTY.....	18



1. SAFETY

SAFETY ALERT SYMBOL


This **SAFETY ALERT SYMBOL**  is used both in this manual and on the machine to identify important safety messages which must be followed to avoid accidents. This symbol means:

ATTENTION! BECOME ALERT! YOUR SAFETY IS INVOLVED!

The safety alert symbol appears above information which alerts you to unsafe actions or situations and will be followed by the word **DANGER**, **WARNING**, or **CAUTION**.

 **DANGER**: White lettering/Red background.

indicates an imminently hazardous situation which, if not avoided, **WILL** result in death or serious injury.

 **WARNING**: Black lettering/Orange background.

Indicates a potentially hazardous situation which, if not avoided, **COULD** result in death or serious injury.

 **CAUTION**: Black lettering/Yellow background.

Indicates a potentially hazardous situation which, if not avoided, **MAY** result in minor or moderate injury.

1.2 TRAINING

1.2.1 Regard the Mower as a piece of power equipment and teach this regard to all who operate this unit.

1.2.2 Read the instructions carefully. Familiarize yourself with the controls and the proper use of the equipment.

1.2.3 Do not allow operation of this machine by untrained personnel. Never allow children, teenagers, or anyone unfamiliar with these instructions to use the mower.

1.2.4 Avoid mowing while people, especially

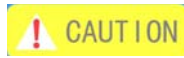
children, or pets, are nearby. Keep in mind that the operator or user is responsible for accidents or hazards occurring to other people or their property.

1.3 PREPARATION

1.3.1 Evaluate the terrain to determine what accessories and attachments are needed to properly and safely perform the job. Only use accessories and attachments approved by


Worldlawn Power Equipment, Inc.

1.3.2 The use of personal protective equipments, such as (but not limited to) protection for the eyes, ears, feet, and head is recommended.


POTENTIAL HAZARD
· This machine produces sound levels in excess of 85 dBA at the operator’s ear when in operation.
WHAT CAN HAPPEN
· Exposure to sound levels of 85dBA or above for extended periods of time can cause hearing loss.
HOW TO AVOID THE HAZARD
· Wear hearing protection when operating this machine.

1.3.3 While mowing, always wear substantial footwear and long trousers. Do not operate equipment when barefoot or when wearing open sandals.

1.3.4 Thoroughly inspect the area where the equipment is to be used and remove all stones, sticks, wires, bones, and other foreign objects which may damage the equipment or cause personal injury to operator or bystanders.


POTENTIAL HAZARD
· Engine exhaust contains carbon monoxide, which is an odorless deadly poison.
WHAT CAN HAPPEN
· Carbon monoxide can kill you.
HOW TO AVOID THE HAZARD
· Do not run engine indoors or in a small confined



area where dangerous carbon monoxide fumes can collect.



POTENTIAL HAZARD

· In certain conditions gasoline is extremely flammable and highly explosive.

WHAT CAN HAPPEN

· A fire or explosion from gasoline can burn you, others, and cause property damage.

HOW TO AVOID THE HAZARD

- Do not smoke while refueling, and stay away from an open flame or where gasoline fumes may be ignited by spark.
- Refuel only outdoors.
- Store gasoline in an approved container and keep it out of the reach of children.
- Add fuel before starting the engine. Never remove the cap of the fuel tank or add fuel when engine is running or when the engine is hot.
- Never fill the fuel tank so that gasoline level rises above a level that is 10(mm)below the bottom of the filler neck to allow for gasoline expansion and prevent fuel spillage.
- If fuel is spilled, **DO NOT** attempt to start the engine. Move away from the area of the spill and avoid creating any source of ignition fuel until vapors have dissipated.
- Do not operate without entire exhaust system in place and in proper working condition.



POTENTIAL HAZARD

· In certain conditions gasoline is extremely flammable and highly explosive.

WHAT CAN HAPPEN

· A static charge can ignite gasoline vapors. A fire or explosion from gasoline can burn you, others, and cause property damage.

HOW TO AVOID THE HAZARD

- Purchase and store gasoline only in an approved container.
- Always place gasoline containers on the ground away from your vehicle while filling.
- Do not fill gasoline containers inside a vehicle or on a truck or trailer bed because interior carpets or plastic truck bed liners may insulate the container and slow the loss of any static charge.
- When practical, remove gas-powered equipment from the truck or trailer and refuel the equipment with its wheels on the ground.
- If this is not possible, then refuel such equipment on a truck or trailer from a portable container, rather than from a gasoline dispenser nozzle.
- If a gasoline dispenser nozzle must be used, keep the nozzle in contact with rim of the fuel tank or container opening at all times until fueling is complete.



POTENTIAL HAZARD

· Gasoline vapor can collect inside enclosed trailers and may be ignited by electrical sparks or hot engine/exhaust components.

WHAT CAN HAPPEN

· Explosion and fire may occur, resulting in property damage, personal injury, and/or death.


HOW TO AVOID THE HAZARD


- Provide adequate ventilation of any enclosed trailer to prevent build up of gasoline vapors, especially at floor level.
- Refuel only outdoors, never inside an enclosed trailer.
- Be sure all fuel tanks and gasoline storage containers have proper caps installed to prevent spillage and minimize vapor escaping into the trailer.
- Do not place any equipment that is leaking gasoline in an enclosed trailer.

1.4 OPERATION



Although hazard control and accident prevention partially are dependent upon the design and configuration of the equipment, these factors are also dependent upon the awareness, concern, prudence, and proper training of the personnel involved in the operation, transport, maintenance and the storage of the equipment. It is essential that all Operator Safety Mechanisms be connected and in operating condition prior to use for mowing.

 WARNING
POTENTIAL HAZARD
<ul style="list-style-type: none"> · Operating engine parts, especially the muffler, becomes extremely hot.
WHAT CAN HAPPEN
<ul style="list-style-type: none"> · Severe burns can occur on contact. · Debris, such as leaves, grass, bush, etc. can catch fire.
HOW TO AVOID THE HAZARD
<ul style="list-style-type: none"> · Allow engine parts, especially the muffler, to cool before touching. · Remove accumulated debris from muffler and engine area. · Install and maintain in working order a spark arrester before using equipment on forest-covered, grass-covered, or brush-covered unimproved land.


 WARNING
POTENTIAL HAZARD
<ul style="list-style-type: none"> · Hands, feet, hair, clothing, or accessories can become entangled in rotating parts.
WHAT CAN HAPPEN
<ul style="list-style-type: none"> · Contact with rotating parts can cause traumatic amputation or severe lacerations.
HOW TO AVOID THE HAZARD
<ul style="list-style-type: none"> · Do not operate the machine without guards, shields, and safety devices in place and working properly. · Keep hands, feet, hair, jewelry, or clothing away from rotating parts.

1.4.1 Give complete, undivided attention to the job at hand.

1.4.2 Mow only in daylight or good artificial light, keeping away from holes and hidden hazards. **NEVER** carry passengers. DO not operate the mower when children or others are in the area!

1.4.3 When feasible, avoid operating the equipment in wet grass.

1.4.4 Use mower caution mowing and/or turning on slopes as loss of traction and/or tip-over could occur. The operator is responsible for safe operation on slopes.

 DANGER
POTENTIAL HAZARD
<ul style="list-style-type: none"> · Mowing on wet grass or steep slopes can cause sliding and loss of control.
WHAT CAN HAPPEN
<ul style="list-style-type: none"> · Wheels dropping over edges, ditches, steep banks, or water can cause rollovers, which may result in serious injury, death or drowning.
HOW TO AVOID THE HAZARD
<ul style="list-style-type: none"> · Do not mow on slopes when grass is wet. · Do not mow near drop-offs or near water. · Do not mow on slopes greater than 15 degrees. · Reduce speed and use extreme caution on slopes. · Avoid sudden turns or rapid speed changes.

- See inside the back cover to determine the approximate slope angle of the area to be mowed.
- Do not use a walk behind mower and/or a hand trimmer near drop-offs, ditches, steep banks or water. This area can be dangerous, see Figure 1.
- Progressively greater care is needed as the slope increases.
- Always avoid sudden starting or stopping on a slope. If tires lose traction, disengage the blades and proceed slowly off the slope.
- Avoid sudden starts when mowing uphill. Mower may tip backwards.
- Be aware that loss of traction may occur going downhill. Weight transfer to the front wheels may cause drive wheels to slip and cause loss of braking and steering.
- Watch for ditches, holes, rocks, dips, and rises



that change the operating angle, as rough terrain could overturn the machine.

- Use extreme care with grass catchers or attachments. These can change the stability of the machine and cause loss of control.

1.4.5 Use caution when backing up.

LOOK BEHIND YOU!!

1.4.6 Stop the blades when transporting the mower to and from the area to be mowed.

1.4.7 Never operate the mower with defective guards, shields, or covers. Always have safety shields, guards, switches, and other devices in place and in proper working condition.

1.4.8 DO NOT change the engine governor setting or overspeed the engine. Operating an engine at excessive speed may increase the hazard of personal injury.

1.4.9 Disengage PTO before starting engine.

1.4.10 Start the engine carefully with feet well away from the blades.

1.4.11 Keep hands, feet, and clothing away from rotating parts while the mower is being operated.

1.4.12 Stop engine, wait for all mowing parts to stop ,and remove key:

- Before checking, cleaning or working on the mower.
- After striking a foreign object(inspect mower for damage and make repairs before restarting and operating the mower).
- Before clearing blockages.
- When ever you leave the mower.

Stop the engine and wait for all moving parts to stop:

- Before refueling.
- Before dumping the grass catcher.

1.4.13 The fuel system is provided with a shut-off valve, CLOSE VALVE:

- When the machine will not be used for a few days.
- During transport to and from the job.
- When parked inside a building.
- TO remove the fuel tank.

1.4.14 This mower was designed for one operator only.

Keep all others away from mower during operation.

1.4.15 DO NOT mow with the discharge deflector raised, removed, or altered unless there is a grass collection system or mulch kit in place and working properly.

1.4.16 Be aware of the mower discharge and direct discharge away from others.

1.4.17 DO NOT operate the mower under the influence of alcohol drugs.

1.4.18 Use extra care when approaching blind corners, shrubs, trees, or other objects that may obscure vision.

1.5 MAINTENANCE AND STORAGE

1.5.1 For engine maintenance, follow the engine manufacture's recommendations precisely as stated in the engine manual.

1.5.2 Keep engine, engine area, free from accumulation of grass, leaves, excessive grease,or oil and other debris, which can accumulate in this areas. These materials can become combustible and may result in a fire.

1.5.3 Store fuel in a container specifically designed for this purpose in a cool, dry place.

1.5.4 Keep the mower and fuel container in locked storage to prevent children from playing or tampering with them.

1.5.5 Gasoline powered equipment or fuel containers should not be stored in a basement or any enclosed area where open pilot lights or heat appliances are present.

1.5.6 Maximum mowing results and safety can only be achieved if the mower is properly maintained and operated correctly.

1.5.7 Check all bolts frequently to maintain proper tightness.

1.5.8 Keep all guard, shields and all safety devices in place and in safe working condition.

1.5.9 Frequently check for worn or deteriorating components that could create a hazard.

1.5.10 All replacement parts must be the same as or equivalent to the parts supplied on original equipment.

1.6 SAFETY SIGNS



1.6.1 Keep all safety signs legible. Remove all grease, dirt, and debris from safety signs and instructional labels.

1.6.2 Safety signs must be replaced if they are missing or illegible.

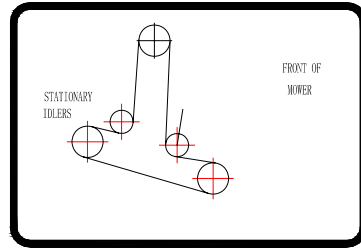
1.6.3 When new components are installed, be sure that current safety signs are affixed to the replaced components

1.6.4 New safety signs may be obtained from your authorized equipment dealer or distributor or from

Worldlawn Power Equipment, Inc.

1.6.5 Safety signs may be affixed by peeling off the backing to expose the adhesive surface. Apply only to clean, dry surface. Smooth to remove any air bubbles.

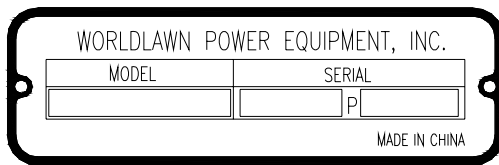
1.6.6 Familiarize yourself with the following safety signs and instruction labels. They are critical to the safe operation of your machine.



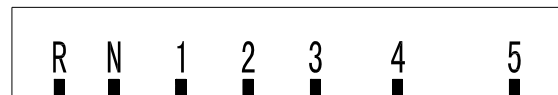
Location 3: On the Mower Deck



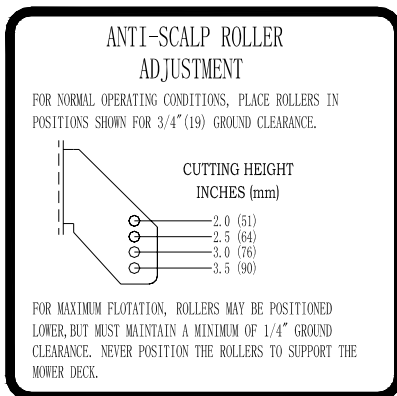
Location 4: On the Mower Deck



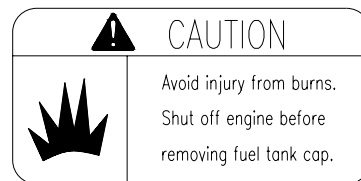
Location 1: on the panel of the engine frame



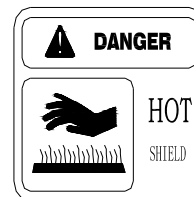
Location 5: Gear Lever on the engine frame



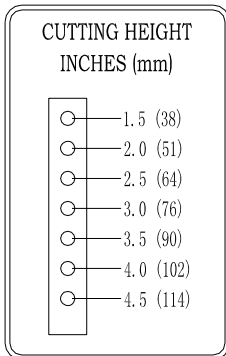
Location 2: On the Mower Deck



Location 6: On the Fuel Tank



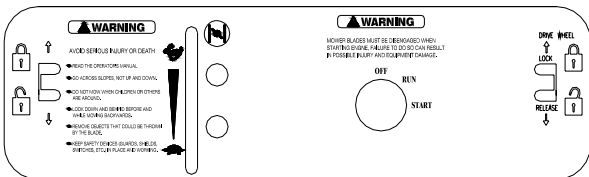
Location 7: RH of Mower deck frame



Location 8: On the Mower Deck



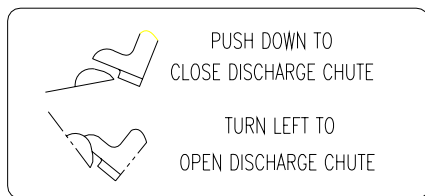
Location 9: Top Front of Console



Location 10: On the Console (Electric)



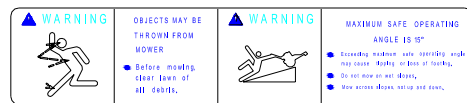
Location 11: Rear of LH console frame



Location 12: Rear of RH console frame



Location 13: On the Mower Deck



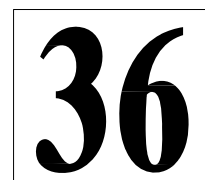
Location 14: Rear of Console



Location 15: On the cover



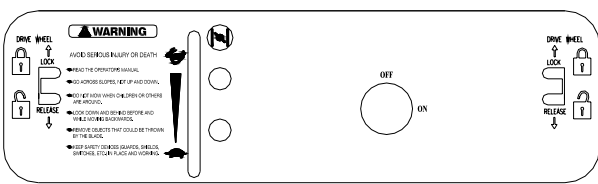
Location 16: on the console



Location 17: In the front of the mower deck



Location 18: In the front of the fuel tank



Location 19: On the Console (Recoil)

2.SPECIFICATIONS

2.1 Model Number:

WY3615KHE WY3615KW WY3615KWE

WY3613KW WY3613KWE

2.2 Engine:

MODEL	ENGINE	STARTER
WY3615KHE	Kohler CV15	Electric
WY3615KW	Kawasaki FH430V	Recoil
WY3615KWE	Kawasaki FH430V	Electric
WY3613KW	Kawasaki FH381	Recoil
WY3613KWE	Kawasaki FH381	Electric

2.3 Frame Assembly

- Front Frame: Rectangle tube 40*30*4mm
- Thickness:5mm steel.
- Fuel Tank:5 gallon seamless polyethylene, removable
- Drive Wheel: 13.0*6.50-6 two-ply pneumatic tubeless.
- Caster Wheel: 9*3.5 ,smooth,needle bearing pneumatic tubeless.

2.4 Drive System

- Type: Belt drive with twin power belts for increased friction to pulley surface.

- Transmissions: Peerless 5-speed transmission, Model #700-079
- Steering/Travel Control: Clutch/brake fingertip steering, key lock switch.
- Brakes: 6"brake drum,band brake, one on each wheel.
- Safety Group: Hand actuated operator presence system with blade clutch and transmission interlock to engine kill.
- Forward Speed Range:0 to 4.7mph(0-7.6km/h)
- Reverse Speed Range:0 to 2.0mph(0-3.2km/h)

2.5 Cutter Deck

- Type: Floating deck,Out-front design with anti-scalp rollers
- True Cutting Width: 36.0 " (904.4cm)
- Blade engagement: Mechanical
- Cutting Height Adjustment: Manual adjustment 1.5"(3.8cm) to 4.5"(11.43cm) in 0.5"(1.27cm) increments
- Cutter Blades: 5mm thick, two 18 " (45.7cm) blades.
- Cutter Deck Belts: B-section.

2.6 OPERATOR CONTROLS(See FIG1)

- Key switch: It is on the control panel, Recoil starter has two positions, turn to "on" could start the engine, turn to "off" stops the engine. Electronic ignition model has three positions, when starting, turn to "start" position, then remove your hand.
- Throttle Control: Located on the control panel. Throttle is used to control engine speed. Moving throttle lever forward will increase engine speed and moving throttle lever to the rear will decrease engine speed.
- Blade Drive Lever : Push the mower blade drive lever forward to the engaged position.Pull the mower blade drive lever backward to disengaged position to stop the blades.
- Hand actuated operator presence lever: When normal working, we must push the operator presence lever,if not,engine will flameout.
- Steering Brake Lever: While squeezing the

steering lever switch with both hands, release right and left neutral latched, release right and left steering lever to make move forward. When the steering levers are released, the mower will travel straight forward. To make right turn, squeeze the steering lever RH. To turn left, squeeze the steering lever LH. Squeeze the steering levers, lock right and left neutral latches, the mower will stop.

- Neutral Latch: Located on bottom of the handle bar. It is used to lock the steering brake lever when stopping.
- Gear shift lever :It is used to control the speed.
- Pedal: Tramp the pedal to the lowest position, meanwhile the discharge chute is up, mulching plate is closed, the mower is doing its mulching job. Turn the pedal leftward a bit, it will attain its highest position automatically, meanwhile the discharge chute is down, mulching plate is open, the mower is doing its discharging job.
- Fuel shut-off valve: The fuel shut-off valve is used to shut off the fuel when the machine will not be used for a few days, during transport to and from the jobsite, and when parked inside the building. see FIG6

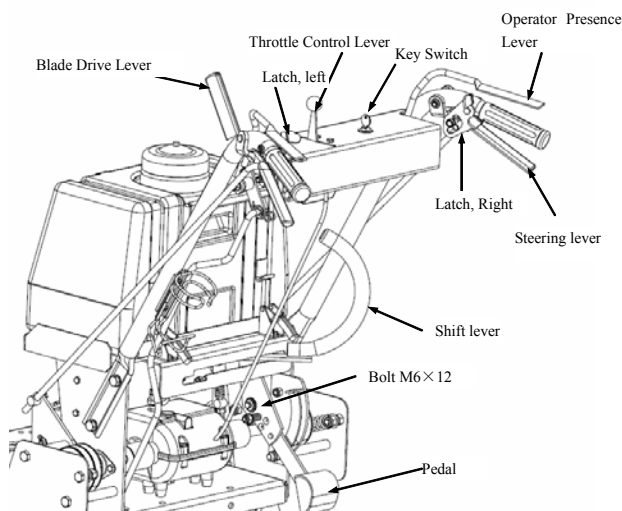


FIG1

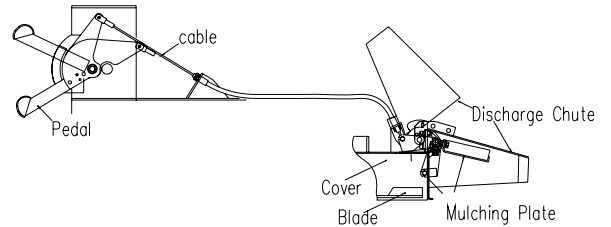


FIG 2

2.7 Accessories:

- Grass catcher: 100L, see FIG3
- Mulching Blade and Grass Board : see FIG4
- Platform: see FIG5

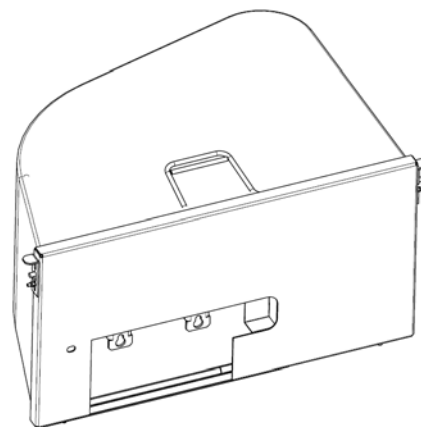


FIG3

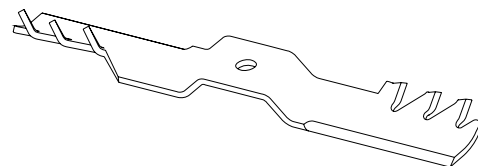


FIG4

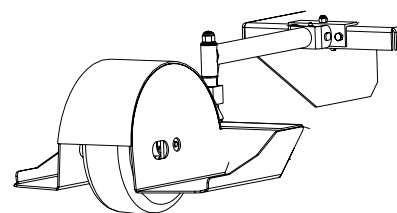


FIG5



● 2.8 Approximate Dimensions:

2.8.1 Width:

Discharge chute down 46.6in (118cm)

Discharge chute up 39.3in (100cm)

2.8.2 Overall Length: 71.6in (182.0cm);

2.8.3 Overall Height: 41.7in (108cm)

2.8.4 Curb Weight: 205Kg (450lbs)

2.9 Torque Requirements

- Cutter Housing Spindle Nut:190-197N.m
- Blade Mounting Bolt:156-163N.m
- Engine Deck/Front Frame Mount Bolts: 55-70N. m

3.ASSEMBLY INSTRUCTIONS

3.1 Open Crate

Open crate. Remove the loose parts (i.e., operator's manual, etc)from crate. Remove unit from crate, check there are no loose parts left.

3.2 Initial Instructions

- Attach the handle with four Hex Hd Bolts, Locknuts on each side as show in FIG6
- Each of the control rods must be connected. Follow the instructions to properly adjust each of the controls as show in FIG6.
- Attach the pedal to the console frame with bolt M6*12 and washer.See FIG6
- the Throttle Cable must be attached to engine according to Engine Operator Manual. Fuel Tank line connects the line of engine.See FIG7
(The positions of Fuel Filter And Throttle Cable Attachment are a bit different on different models of Engines.)
- Electric, Connect connection A to connection B on the handle bar.Recoil, Connect the wiring harness connection to engine flame-out wiring harness and neutral switch.

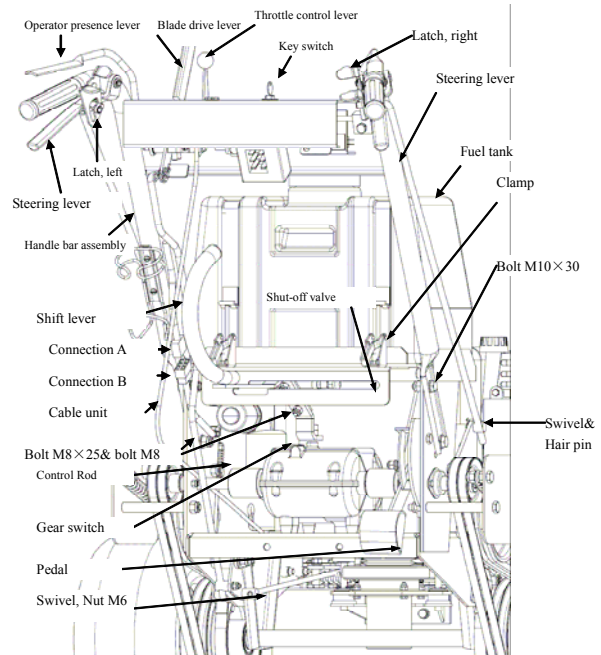


FIG6

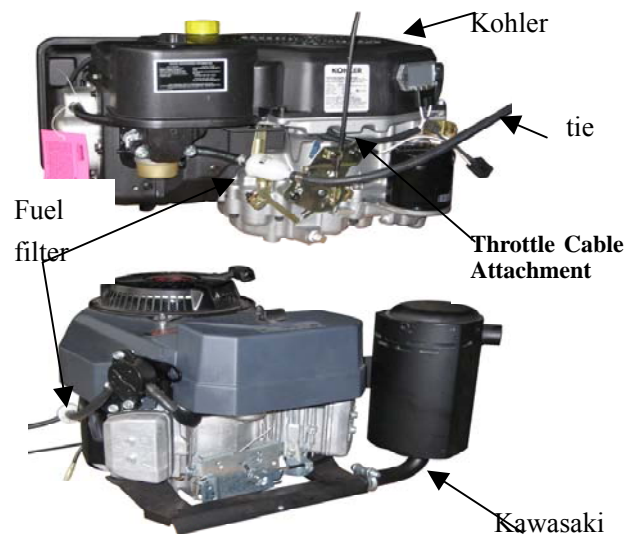


FIG7

- Put the fuel tank into the position and lock it as show as in FIG 6

3.3 Service Engine

Engine is shipped with oil. Fill to the appropriate lever with SAE10W-30 or 10W-40.

3.4 Grass Catcher Assembly

- Tramp the pedal down, the mower is doing its mulching job.Remove 4 bolts M8*25 fixing the discharge chute assembly, and 3 bolts M8*25 fixing the mulching plate, than fix the grass

catcher mount weldment to the pin on the mower deck, turn the pin at a 90 degree angle, insert it into the hole on the grass catcher mount weldment. See FIG8

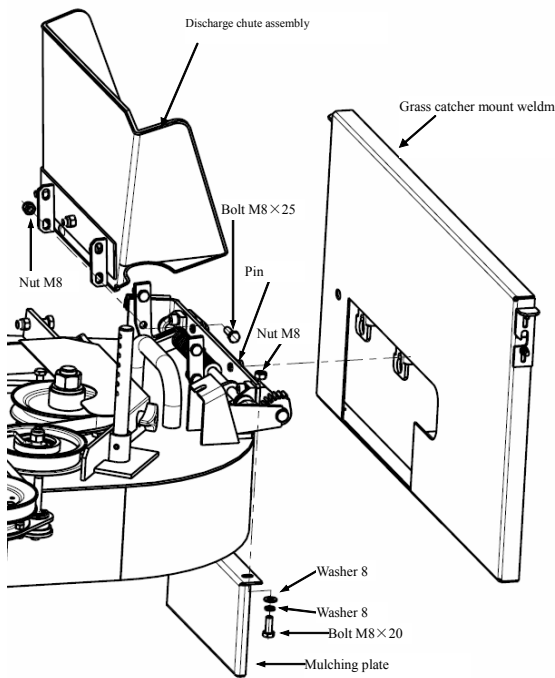


FIG8

4 Operation Instructions

Read the instructions carefully before operate the mower.

4.1 PRE-START

- Fill fuel tanks. For best results use only clean, fresh regular grade unleaded gasoline with an octane rating of 87 or higher. Regular grade leaded gasoline may also be used; however, combustion chamber and cylinder head will require more frequent service; see Engine Owner's Manual, do not add oil to gasoline. Do Not overfill fuel tank.
- Open the fuel tank shut-off valve.
- Make sure you understand the controls, their locations ,their functions, their safety requirements and how to stop quickly.
- Refer to Maintenance. Section 5,and perform all

necessary inspection and maintenance steps.

- Check tire pressure in drive wheels. Proper inflation pressure for tires is 20psi(140kpa)
- Check tire pressure in caster wheels. proper inflation pressure for tires is 20psi(140kpa)

4.2 Starting Engine

Recoil start,turn the key switch to “on” position.Electric start, turn the key switch to “run” position.The blade drive lever must be disengaged, The transmission must be in neutral.Operator presence levers must be released.

On a cold engine, place the throttle midway between the “SLOW” and “FAST” positions and push choke lever forward to the “ON” position. Turn ignition switch to the “start” position. Release the switch as soon as the engine starts.


4.3 Mowing

- Push the mower blade drive lever forward to engaged position. The blades will rotate at high speed.
- Be sure that all persons are clear of mower deck and discharge area before engine PTO.



IMPORTANT:Set throttle to “midway” position. Pull outward on the switch to the “ROTATE” position. Accelerate to full throttle to begin mowing.

Stopping the blade: Pull the mower blade drive lever backward to disengaged position to stop the blades.

FIG5.


<p>POTENTIAL HAZARD</p> <ul style="list-style-type: none"> • The rotating blades under the mower deck are dangerous.
<p>WHAT CAN HAPPEN</p> <ul style="list-style-type: none"> • Blade contact can cause serious injury or kill you.
<p>HOW TO AVOID THE HAZARD</p> <ul style="list-style-type: none"> • DO NOT put hands or feet under the mower or mower deck when the blades are engaged.



 DANGER	 WARNING
POTENTIAL HAZARD • An uncovered discharge opening will allow objects to be thrown in an operator’s or bystander’s direction. Also, contact with the blade could occur.	POTENTIAL HAZARD • While maintenance or adjustments are being made, someone could start the engine.
WHAT CAN HAPPEN • Thrown objects or blade contact can cause serious injury or death.	WHAT CAN HAPPEN • Accidental starting of the engine could seriously injure you or other bystanders.
HOW TO AVOID THE HAZARD • Never operate the mower with the discharge deflector raised, removed, or altered unless there is a grass collection system or mulch kit in place and working properly.	HOW TO AVOID THE HAZARD • Remove the key from the ignition switch and pull the wire off the spark plug before you do any maintenance. Also push the wire aside so it does not accidentally contact the spark plug.


4.4 Moving Operator

- Lock the steering levers (LH and RH), remove gear shift control to your need.
- Take the steering levers in hand, remove the locks. Then loosen the steering lever, the mower could travel.
- While squeezing the steering lever switch with both hands, release right and left neutral latch, release right and left steering levers to make mower travel. When the steering levers are released, the mower will travel straight. To turn right, squeeze the steering lever RH. To turn left, squeeze the steering lever LH.

4.5 Stopping engine: Bring unit to a full stop.

Disengage the blade drive lever backward to disengaged position to stop the blades. FIG5.
move steering levers to the neutral lock position and engage parking brake. Rotate key switch to “OFF” position. Remove the key to prevent children or other unauthorized persons from starting the engine. Close fuel shut-off valve when the machine will not be used for a few days, transporting, and when the unit is parked inside a building.

5.MAINTENANCE&ADJUSTMENTS

 WARNING
POTENTIAL HAZARD • The engine can become very hot.
WHAT CAN HAPPEN • Touching a hot engine can cause severe burns.
HOW TO AVOID THE HAZARD • Allow the engine to cool completely before service or making repairs around the engine area.

5.1PERIODIC MAINTENACE

5.1.1Check the engine oil level:

Service Interval: Daily


- Stop engine, wait for all moving parts to stop and make sure unit is on a level surface.
- Check with engine cold.
- Clean area around dipstick. Remove dipstick and wipe oil off. Reinsert te dipstick. Do not screw into place. Remove the dipstick and read the oil level.
- If the oil level is low, add oil to bring the oil level up to the “FULL” mark on the dipstick. Use oil as specified in the Engine Owner’s Manual.

DO NOT overfill.

IMPORTANT: DO NOT operate the engine with the oil level below the “LOW” or “ADD” mark on the dipstick, or over the “FULL” mark.

5.1.2 Clean engine cooling system:

Service Interval: Daily or more often in dry conditions


POTENTIAL HAZARD
<ul style="list-style-type: none"> Excessive debris can cause the engine and hydraulic system to overheat.
WHAT CAN HAPPEN
<ul style="list-style-type: none"> Excessive debris around the engine cooling air intake and inside of the pump compartment can create a fire hazard.
HOW TO AVOID THE HAZARD
<ul style="list-style-type: none"> Clean all debris from around the engine and hydraulic pumps daily. <ol style="list-style-type: none"> Stop engine, wait for all moving parts to stop, and remove the key. Clean all debris from rotating engine air intake screen and from around engine shrouding.

5.1.3 Clean grass build-up under deck.

Service Interval: Daily

- Stop engine, wait for all moving parts to stop, and remove key.
- Clean out any grass build-up from underside of deck and in discharge chute.

5.1.4 Check mower blades.

Service Interval: Daily

- Stop engine, wait for all moving parts to stop, and remove the key.
- Lift deck.
- Inspect blades and sharpen or replace as required.
- Re-install the blades(if they were removed)by placing a block of wood between the front or rear baffles and the blade then torque the blade bolts to 115-120ft.lbs(156-163 N-M).Be sure the

spring disk washer cone is installed toward the bolt head.(See FIG9).

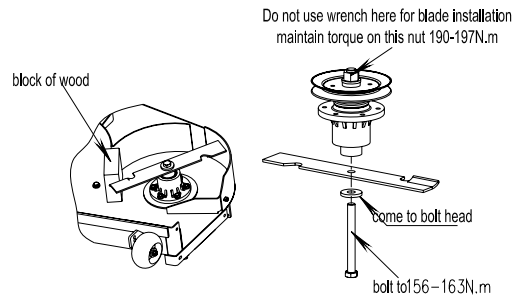



FIG 9


POTENTIAL HAZARD
<ul style="list-style-type: none"> Operating a mower deck with loose or weakened blade bolts can be dangerous.
WHAT CAN HAPPEN
<ul style="list-style-type: none"> A loose or weakened blade could allow a blade rotating at a high speed to come out from under the deck, causing serious injury or property damage.
HOW TO AVOID THE HAZARD
<ul style="list-style-type: none"> DO NOT lubricate the threads of the bolt or spindle before assembly. <p>Torque the blade bolt to 115-120ft.lbs(156-163 N-M).</p>

5.1.5 Check safety interlock system.

Service Interval: Daily

- Check starting circuit.

Starter can not start. with blade drive lever engaged .When the blade drive lever is disengage , the the transmission is in neutral, key switch is in the “on” position (recoil), the engine can start.

- Check kill circuit.

Run engine and release the operator presence lever, with blade drive lever or shift lever travelling form neutral to having a gear lever, Engine must stop after approx.1/2 seconds has elapsed.

NOTE: If machine does not pass any of these tests, do not operate. Contact your authorized WORL DLAWN



POWER EQUIPMENT SERVICE DEALER. It is essential that operator safety mechanisms be connected and in proper operating condition prior to use for mowing.

5.1.6 Check for loose hardware.

Service Interval: Daily

- Stop engine, wait for all moving parts to stop, and remove key.
- Visually inspect machine for any loose hardware or any other possible problem. Tighten hardware or correct the problem before operating.

5.1.7 Service air cleaner.

Service Interval: 50 hrs.

More often under severe conditions. See Engine manual for additional information.

- Stop engine, wait for all moving parts to stop, and remove the key.
- Loosen retaining clips and remove air cleaner compartment cover.
- Remove paper element. Check the condition of the paper element. Replace if dirty, bent or damaged.
- Do NOT wash or use pressurized air to clean paper element or inner element.

5.1.8 Change engine oil.

Service Interval: 100 hrs.

NOTE: Change oil and filter after first five(5)hrs. of operation.

- Stop engine, wait for all moving parts to stop, and remove key.
- Drain oil while engine is warm from operation.
- Replace the oil filter Every Other oil change. Clean around oil filter and unscrew filter to remove. Before reinstalling new filter, apply a thin coating of oil on the surface of the rubber seal. Turn filter clockwise until rubber seal contacts the filter adapter then tighten filter an additional 2/3 to 3/4 turn.
- Clean around oil fill cap and remove cap. Fill to specified capacity and replace cap. Use oil recommended in engine owner's manual. DO NOT overfill.

- Start the engine and check for leaks. Stop engine and recheck oil level.

5.1.9 Check tire pressures:

Service Interval: 40hrs.

Stop engine, wait for all moving parts to stop, and remove key.

- Check tire pressure in drive tires.
- Inflate drive tires to 20psi(140kPa).
- Check tire pressure in Caster tires.
- Inflate caster tires to 20psi(140kPa).

5.1.10 Check condition of belts:

Service Interval: 40hrs.

- Stop engine, wait for all moving parts to stop, and remove key.
- Check under engine deck to belts.
- Remove left and right belt shields on deck and lift out floor pan to inspect belts.
- See Sections 5.2.2 and 5.2.3, for belt adjustment.

5.1.11 Lubricate grease fitting:

- Service Interval: Refer to chart.

Stop engine, wait for all moving parts to stop, and remove key. See the FIG10.

LUBRICATION CHART

FITTING LOCATIONS	FITTING TIMES	SERVICE INTERVAL
1	1	50hrs
2	1	100hrs
3	1	50hrs
4	1	200hrs
5	1	100hrs

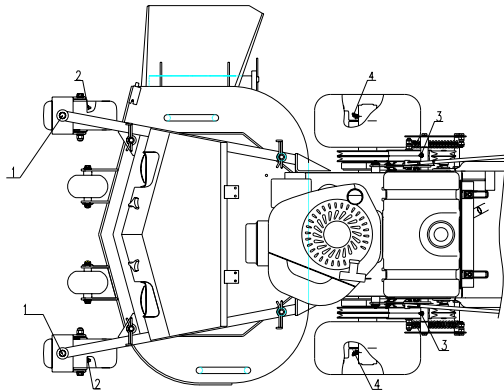


FIG10

5.2 ADJUSTMENTS

IMPORTANT: Disengage the blade drive lever, shut off engine, wait for all moving parts to stop, and remove key before servicing, cleaning or making adjustments to the unit.

5.2.1 Cutting Height Adjustment.

- Stop machine and move drive levers out to neutral lock position.

NOTE: When changing cutting height positions, always come to a complete stop and disengage the blade drive lever.

- Insert height adjustment pin into hole corresponding to desired cutting height and install hairpin cotter. See decal on deck lift plate. Move lever out of transport position and down onto height adjustment pin to mow at selected height.
- Adjust anti-scalp rollers for Normal Operating Conditions.

Stop engine, wait for all moving parts to stop, and remove key. Rollers will maintain 3/4 in. (19mm) clearance to the ground to minimize gouging and roller wear or damage. For Maximum Deck Flotation, place rollers one hole position lower. Rollers should maintain 1/4 in.(6.4mm) minimum clearance to ground. Do Not adjust rollers to support the deck. Be sure bolt is tightened properly or loss of anti-scalp roller may result.

5.2.2 Blade Drive Belt Adjustments

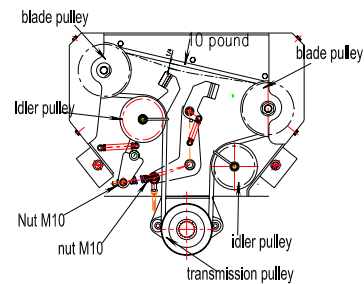


FIG11

Remove the belt cover. Adjust the mower deck belt using a belt tension gauge. The blade drive lever is engaged, tension the mower belt, and adjust the belt so that the belt moves 1/4" with 10 pounds of pressure. Adjust the tension by tightening or loosening the nut. See FIG11.

WARNING: Be sure engine is off before removing belt cover.

5.2.3 Transmission Drive Belt

Transmission drive belt is on the underside of the engine frame weldment, adjust the belt moves 1/4" with 10 pounds of pressure, adjust the tension by moving transmission drive idler pulley. See FIG12

WARNING: Shut off engine and disconnect the spark plug wire before adjusting the belt.

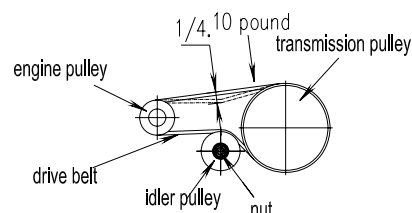


FIG12

5.2.4 Drive Control Adjustments

- The drive control is a system of interconnected machine element made up of steering and braking functions, that is to say, one steering lever applies to neutral latch lock position or neutral latch unlock position. When two steering levers are in neutral lock position, the power is disengaged. To brake, adjust brake lever and

control rod beside the mower of the same strength.

- Adjusting control rod: Remove hair pin on the top of control rod, pull out the control rod from steering lever, turn the control rod so that the length of two control rods is same, reinstall all parts in proper order.
- Adjusting brake lever: Loosen or tighten locknut at the bottom of brake lever to adjust the length of the brake lever. See FIG 13

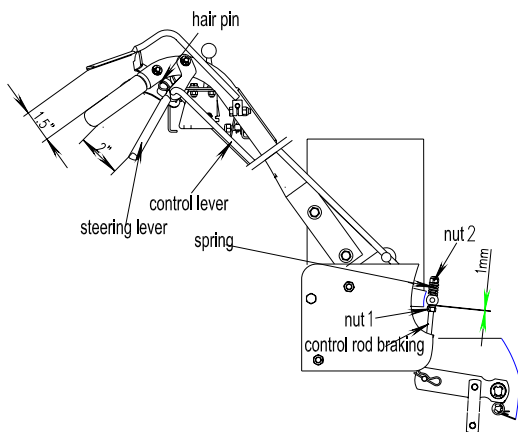


FIG 13

6 TROUBLE SHOOTING

6.1 MOWER PULLS LEFT OR RIGHT (W/LEVERS FULLY FORWARD).

Check air pressure in tires;20psi (140kpa) /drive,20psi (140kpa) / casters.

6.2 MOWER CUTS UNEVENLY.

- Check air pressure in tires;20psi (140kpa) /drive, 20psi (140kpa) /casters.
- Check deck leveling
- Check blades tip to tip for straightness

Note: The front of the mower deck will be approximately 1/8" ---1/4" lower than the back of the mower deck, This is the "rake" of the deck.

6.3 ENGINE WILL NOT START

- Make sure there is fuel in the fuel tank and that the fuel valve is open.
- Check that the blade drive lever is disengaged.The key switch is in the "ON" position (Recoil)
- Check that the spark plug wires are properly connected.
- If the transmission is in neutral.
- Check for loose or faulty wiring connections.
- Check for corrosion at all wiring connections. Even minor corrosion may cause a faulty connection. Clean connector terminals thoroughly with electrical contact cleaner, apply dielectric grease and reconnect.

NOTE: After carefully checking the above steps, attempt to start the engine. If it does not start, contact your authorized machine service dealer.

IMPORTANT: It is essential that all operator safety mechanisms be connected and in proper operating condition prior to mower use.

When a problem occurs, do not overlook the simple causes. For example, starting problems could be caused by an empty fuel tank.

The following table lists some of the common causes of trouble. Do not attempt to service or replace major items or any items that call for special timing of adjustments procedures. Have this work done by your Engine Service Dealer.

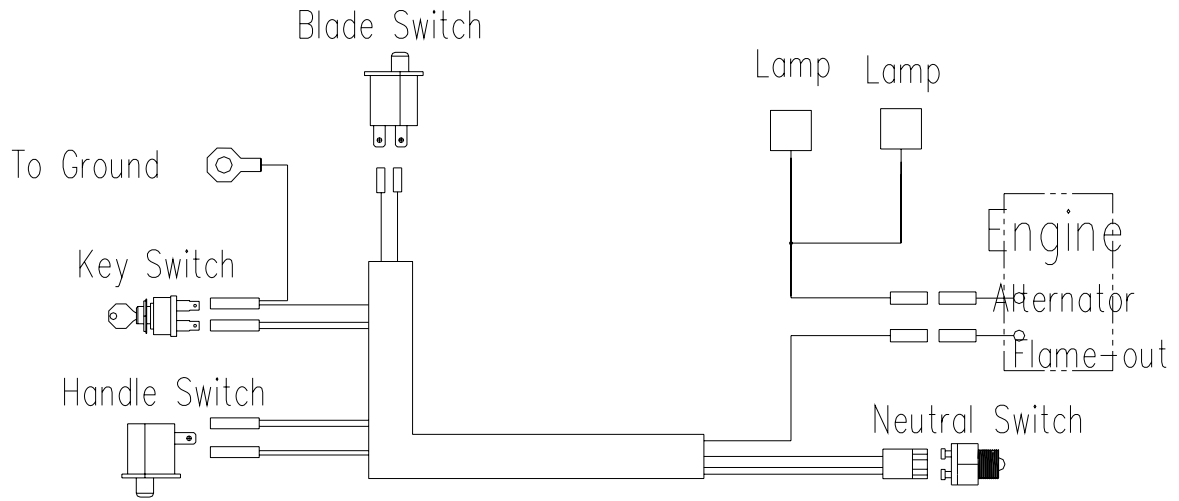


consumption								
-------------	--	--	--	--	--	--	--	--

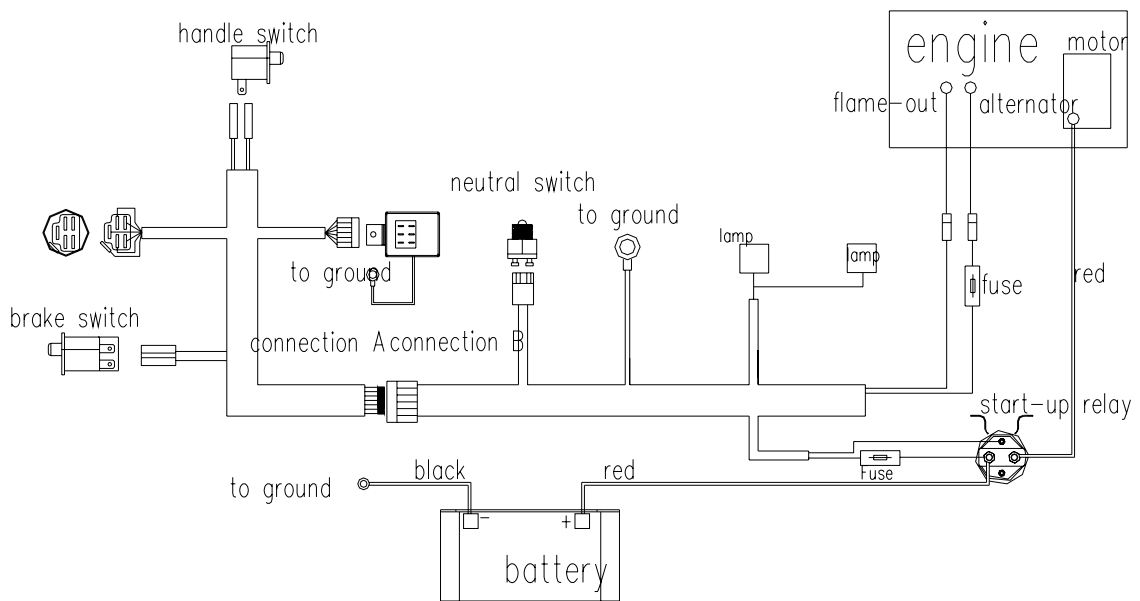
ENGINE TROUBLESHOOTING TABLE

Will not Start	1		3	4	5	6	7	
Hard starting	1	2	3	4	5	6	7	
Stops suddenly	1		3	4		6	7	8
Lacks power		2	3	4	5	6	7	8
Operates erratically		2	3	4	5	6	7	
Knock or pings		2				6		
Skin or misfires		2	3	4	5			
Backfires			3	4	5	6		
Overheats			3	4		6		8
High fuel				4	5	6		

- 1→NO FUEL
- 2→IMPROPER FUEL
- 3→DIRT IN FUEL LINE
- 4→DIRTY AIR FILTER
- 5→FAULTY SPARK PLUG
- 6→ENGINE OVERLOADED
- 7→BLOCKED FUEL FILTER
- 8→INCORRECT OIL LEVER



Recoil Diagram



Electrical Diagram



LIMITED WARRANTY
WORL DLAWN POWER EQUIPMENT, INC
36" MOWER

Worldlawn Power Equipment, Inc, ("Worldlawn") warrants that the worldlawn 36" Mower ("Mower") will be free from defects in material and workmanship for a period of one year commercial from the original date of purchase. During the warranty period, Worldlawn will repair or replace, at its option, any Mower or part thereof which is found to be defective in material or workmanship. This warranty specifically excludes wear items, including but not limited to belts, blades and tires. This warranty also specifically excludes parts covered by another manufacturer's warranty, which parts are covered only by that manufacturer's warranty.

This limited warranty extends only to the original retail purchaser ("Owner") of a Mower. It is not transferable. This warranty extends only to those Mowers purchased for private residential and commercial use. A Mower purchased for any other reason, for example as a rental unit, shall have a ninety (90) day warranty under the same terms and conditions as set forth herein.

Proof of purchase will be required to substantiate all warranty claims. All warranty work must be performed by an authorized Worldlawn Dealer. Any work done on or to the Mower by anyone other than an authorized Worldlawn Dealer, including the original purchaser, voids all provisions of this warranty except those provisions which limit Worldlawn's liability (as set forth below).

Any Mower or part thereof which, in worldlawn's sole discretion, is deemed defective shall be repaired or replaced, at worldlawns option, without charge for parts or labor. To take advantage of this warranty, the Mower must be returned to an authorized worldlawn Dealer within the warranty period. The cost of delivering the Mower to the authorized Dealer and return delivery shall be the responsibility of the Owner.

Worldlawn's sole responsibility with any claim made under this warranty is limited only to repairing or replacing the mower or a defective part thereof, and no claim of breach of warranty shall be cause for rescision, cancellation, or voiding the contract of sale of the Mower.

This warranty does not extend to any Mower or part thereof which has been misused, neglected, damaged, abused, not properly installed or maintained, altered or which has been operated in any way contrary to the operating instructions as specified in the Owner/Operator Manual. This warranty does not extend to any repair or replacement made necessary by normal use. This warranty does not extend to the engine which is warranted separately by the engine manufacturer.

THE WARRANTY EXPRESSED HEREIN IS IN LIEU OF OTHER WARRANTIES, EXPRESSED OR IMPLIED, INCLUDING, WITHOUT LIMITATION, ANY IMPLIED WARRANTY OR MERCHANTABILITY OR FITNESS FOR A PARTICULAR USE, AND IS IN LIEU OF ANY AND ALL OTHER OBLIGATIONS OR LIABILITY ON WORL DLAWN'S PART.

UNDER ANY AND ALL CIRCUMSTANCES, WORL DLAWN'S TOTAL LIABILITY TO OWNER FOR ANY AND ALL CLAIMS, LOSSES OR DAMAGES, INCLUDING LOSS OF PROFITS, ARISING OUT OF ANY CAUSE WHATSOEVER, WHETHER BASED IN CONTRACT, NEGLIGENCE OR OTHER TORT, STRICT LIABILITY, BREACH OF WARRANTY OR OTHERWISE, SHALL IN NO EVENT EXCEED THE PURCHASE PRICE OF THE MOWER. IN NO EVENT SHALL WORL DLAWN BE RESPONSIBLE FOR SPECIAL, INCIDENTAL, CONSEQUENTIAL OR EXEMPLARY DAMAGES



Worldlawn Power Equipment, Inc.

422 Turnbull Canyon Road, City of Industry, CA 91744

Phone:(626) 934-8552

Fax: (626) 934-8162

E-mail: worldlawnmower@adelphia.net