

Operator's Manual



WORLDLAWN®

Commercial / Residential 28" Mower

- *Service Information*
- *Mower Operation*
- *Adjustments & Repairs*
- *Warranty*



Worldlawn Power Equipment, Inc.

422 Turnbull Canyon Road City of Industry CA 91744

Toll Free Number: 1-866-9-Mowers (1-866-966-9377)



WORLDLAWN 28” COMMERCIAL RESIDENTIAL MOWER

SERVICE AND REPAIR PARTS INFORMATION

If you have questions, problems, need an Operator’s or Parts Manual, please contact your local Worldlawn authorized dealer or call the Factory. When calling or writing, please provide the Model and Serial Number of your Mower.

WORLDLAWN POWER EQUIPMENT INC.

Phone: (626)934-8552

Fax: (626)934-8162

E-mail: Worldlawnmower@adelphia.net

Some of the pictures will vary between models but they usually depict similar information.

MODEL NUMBERS 28” MOWERS

MODEL	Cutting Height
WY28...	1.5”-3”
WY28B...	2”-4”

Factory specified replacement parts for your Mower are available from either your local worldlawn authorized dealer or by calling the Factory.

For engine information, contact your nearest authorized Engine Service Dealer. The Engine Warranty is covered by the Engine Manufacturer’s Limited Warranty.

Record

Model No. _____

Serial No. _____



TABLE OF CONTENTS

SAFETY INFORMATION

Equipment Safety and Training.....	1
General Safety Instructions.....	1
Unpacking & Initial Assembly.....	1
Preparation to Mow.....	2
Operating the Mower.....	2
Maintenance And Storage.....	3

MOWER OPERATION

Initial Run-in Procedures.....	3
Mower Operation.....	3
Before Starting the engine.....	3
Starting the engine.....	3
Blade Drive.....	3
Wheel Drives.....	4
Stopping the Mower.....	4

ADJUSTMENTS AND REPAIRS

Mower Deck Adjustments.....	4
Mower Deck Belt Adjustments.....	4
Transmission Drive Belt Adjustments.....	4
Wheel Drive Belt Adjustments.....	5
Blade Replacement.....	5
Blade Drive Belt Replacement (1.5"-3").....	5
Blade Drive Belt Replacement (2"-4").....	5
Synchronous Belt Replacement.....	5
Transmission Drive Belt Replacement.....	6
Blade Brake Pad Replacement.....	6
Wheel Drive Belt Replacement.....	6
Rear Wheel Tube Replacement.....	6
Drive Control Adjustments.....	7
Shift Control Rod Adjustment.....	6
Electrical Schematic.....	8
Service Instructions To Transmission.....	9

ACCESSORY

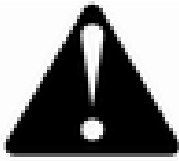
Grass Catcher.....	10
--------------------	----

WARRANTY

Warranty Information.....	11
---------------------------	----

NOTES

Notes.....	12
------------	----



RULES FOR SAFE OPERATION

LOOK FOR THIS SYMBOL TO POINT OUT IMPORTANT SAFETY PRECAUTIONS. IT MEANS ATTENTION!

BECOME ALERT! YOUR SAFETY IS INVOLVED.

EQUIPMENT SAFETY AND TRAINING

- **READ** the OPERATOR'S Manual Carefully. Be thoroughly familiar with the controls and the proper use of the Mower.
- **NEVER** allow children to operate or ride on the Mower. Do not allow adults to operate the Mower without proper instruction.
- **KEEP** the area of operation clear of all bystanders, particularly small children and pets.
- **DO NOT** operate the Mower if under the influence of alcohol, medication or when tired or ill.

Your mower was built to the highest standards in the industry. However, the prolonged life and maximum efficiency of your mower depends on you following the operating, maintenance and adjustment instructions in this manual.

We encourage you to contact your dealer for repairs. Worldlawn dealers are informed of the latest methods to service this mower and provide prompt and efficient service .

A replacement operator's manual is available from your dealer or by contacting Worldlawn Power Equipment, Inc. 422 Turnbull Canyon Road, City of Industry , CA 91744 .

E-mail: Worldlawnmower@adelphia.net . Please indicate the complete model and serial number of your Worldlawn mower.

Use of other than original Worldlawn replacement parts will void the warranty.

The "Right" and "Left", "Front" and "Rear" of the machine are referenced from the operator's perspective when in the normal operating position and facing the forward travel direction.

GENERAL SAFETY INSTRUCTIONS

- Read this operator's manual and instructions furnished with attachments. Perform only those maintenance procedures described in this manual. If major repairs are ever needed or assistance is desired, contact an authorized Worldlawn dealer. To ensure optimum performance and safety, always purchase genuine Worldlawn replacement parts and accessories.
- FAILURE TO FOLLOW THESE INSTRUCTIONS OR INCORRECTLY OPERATE THE MOWER COULD RESULT IN PERSONAL SERIOUS INJURY.

 This symbol means "Attention! Become Alert!"

	<h2>DANGER</h2>
The signal word "DANGER" denotes that an extremely hazardous situation exists on or near the machine that could result in high probability of death or irreparable injury if proper precautions are not taken.	

	<h2>WARNING</h2>
The signal word "WARNING" denotes that a hazard exist on or near the machine that can result in injury or death if precautions are not taken.	

	<h2>CAUTION</h2>
The signal word "CAUTION" is a reminder of safety practices on or near the machine that could result in personal injury if proper precautions are not taken.	

UNPACKING & INITIAL ASSEMBLY

- Open crate.
- Remove loose parts (i.e., Operator's manual, etc) from crate.
- Remove unit from crate, check crate thoroughly for loose parts.
- Attach the handlebars with two Hex Hd. bolts, Locknuts and Washers on each side as show in FIG1

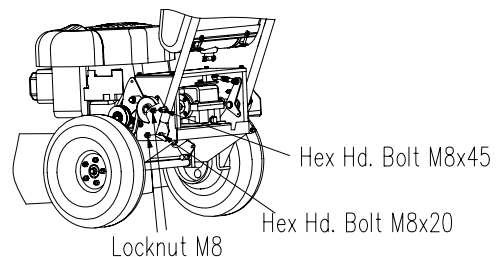


FIG1



Adjustment & Repairs

• Each of the control rods must be connected as shown in FIG2. Follow the instructions to properly adjust each of the controls.

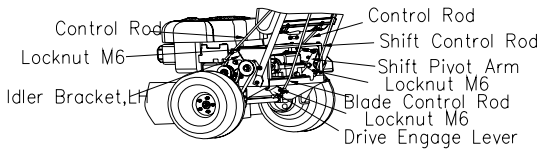


FIG2

- Route the throttle control cable through the rear shield and attach to the engine as show in FIG3 and in the engine operator manual.
- Install the discharge chute as show in FIG4

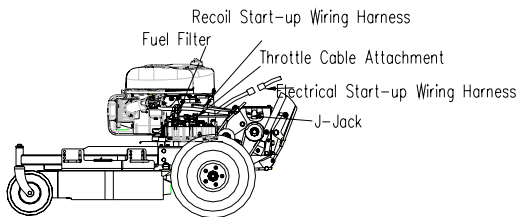


FIG3

SAFETY OPERATION

PREPARATION TO MOW

- Remove all debris or other objects that might be picked up and thrown by the blades. Keep all bystanders away from the mowing areas.
- **DO NOT** operate the Mower when barefoot or wearing open sandals. Always wear appropriate footwear.
- **CHECK** the fuel before starting the engine. Do not fill the Gasoline Tank indoors or when the Engine is running, wait until the Engine has been allowed to cool for several minutes after running. Clean off any spilled gasoline before starting the engine.
- **KEEP** the Blade Drive Lever in the disengaged position and shift the Transmission into neutral before starting the engine. Never make a height adjustment or any Mower adjustment while the engine is running.
- **NEVER** operate the Mower in wet grass. Always be sure of your footing; keep a firm hold on the handles and walk; never run.
- Do not smoke while handling gasoline.
- Fill the tank outdoors and up to approximately 1" (25 mm) below the bottom of the filler neck.
- Keep all shields, safety devices, and decals in place. If a shield, safety device or decal is defective or damaged, repair or replace it before operating. **ALSO, CHECK ALL NUTS, BOLTS AND SCREWS FOR PROPER TIGHTNESS, TO ASSURE THE MOWER IS IN SAFE OPERATING CONDITION.**

- Know the controls and how to stop quickly.
- Do not allow children under fourteen years old to operate the mower. Do not allow adults to operate the mower without proper instruction.
- The owner/user can prevent and is responsible for accidents or injuries occurring to themselves, other people or property.

OPERATING THE MOWER

- **ALWAYS** wear safety goggles or safety glasses with side shields when operating the Mower.
- **DO NOT** change the Engine Governor setting or overspeed the engine.
- **DO NOT** put hands or feet near or under rotating parts. Keep clear of the discharge opening at all times.
- Disengage the blades and wait for them to stop before crossing gravel drives, walks or roads.
- **MOW** only in daylight or in good artificial light. Always run the Engine at the fast speed setting for best mowing performance.
- If the cutting blades should strike a solid object or the equipment should start to vibrate abnormally, stop the engine, disconnect the spark plug wire, and check immediately for the cause. Vibration is generally a warning of trouble. Check the mower for damaged or defective parts. Repair any damage before starting the engine or operating the mower deck. Be sure the blades are in good condition and the blade bolts are tight.
- **STOP** the Engine whenever you leave the Mower, or during cleaning, repairing or inspecting. Make certain the Blades and all moving parts have stopped. Disconnect the spark plug wire, and keep the wire away from the plug to prevent accidental starting.
- **MOW** across the face of slopes; never up and down. Exercise extreme caution when changing direction on slopes. Do not mow on slopes (with an incline of more than 15°). Exceeding the maximum safe operating angle may cause tipping and loss of Mower control.
- The discharge chute must always be installed and in the down position except when the optional grass catcher or mulching shield is properly installed. If the discharge area should plug, shut the engine off and wait for all movement to stop before removing the obstruction.
- Do not touch the engine or muffler while the engine is running or a short time after it is stopped. These areas could be hot enough to cause a burn.
- Start the engine when the neutral latches are in the neutral lock position, the blades are disengaged, the transmission is in neutral and the operator's presence levers must be released.
- Do not run the engine in a confined area without adequate ventilation. Exhaust fumes are hazardous and could possibly be deadly.
- Using the mower demands attention. To prevent loss of control:
 - A. Watch for holes or other hidden hazards.
 - B. Do not drive close to a drop-off, ditch, creek bank, or other hazard.
 - C. Reduce speed when making sharp turns and when turning on



Adjustment & Repairs

hillsides.

- Do not operate the mower under the influence of alcohol or drugs.
- Before leaving the operator's position or leave the mower unattended, shift the transmission into neutral, place the neutral latches in the neutral lock position, and release the Blade Drive Lever. Shut the engine off.
- Shut the engine off and wait until the blades come to a complete stop before removing the grass catcher.
- Never raise the mower deck while the blades are rotating.
- Always park the mower and/or start the engine on a level surface.
- Do not pass or stand on the grass discharge side of any mower while the engine is running. Stop operation when another person approaches.

FIG4.

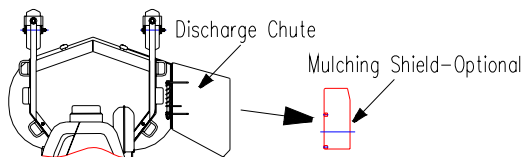


FIG4

MAINTENANCE AND STORAGE

Allow only trained personnel to service the mower.

- Disconnect the spark plug wire from the spark plug to prevent accidental starting of the engine when servicing, adjusting or storing the mower.
- If the mower must be tipped to perform maintenance or adjustment, drain the gasoline from the fuel tank.
- To reduce potential fire hazard, keep the engine free of excessive grease, grass, leaves and accumulations of dirt.
- Be sure the mower is in safe operation condition by keeping nuts, bolts, and screws tight. Check the blade bolts and nuts frequently to be sure they are tight.
- If the engine must be running to perform a maintenance adjustment, keep hands, feet, clothing and other parts of the body away from the blades and other moving parts.
- Do not overspeed the engine by changing governor settings. To be sure of safety and accuracy, have an authorized dealer check maximum engine speed with a tachometer.
- The engine must be shut off before checking the oil or adding oil to the crankcase.
- Allow the engine to cool before storing the mower in any enclosure such as a garage or storage shed.
- Always store gasoline in a safety-approved, red container.
- Caution must be taken while maintenance is being made to battery.

Battery with corrosive acid can burn your skin and cloth.

- Keep battery away from fire, short circuit of battery can cause explosion.
 - Drain and refill the transmission oil yearly- use one pint of SAE30
 - Grease Fittings are provided on important parts requiring lubrication.
- FIG17

MOWER OPERATION

CAREFULLY READ AND UNDERSTAND ALL SAFETY INSTRUCTIONS BEFORE ATTEMPTING TO OPERATE THE MOWER.

INITIAL RUN PROCEDURES

- Check the belts for proper tension at 2, 4 and 8 hours.
- Check the steering control rods for neutral adjustment .
- Check the tires for proper pressure.

Drive wheels: 20 PSI (140kPa)

- Check for loose hardware. Tighten as needed.
- Check the safety switches for proper adjustment:
 - ⚠ The engine will crank, but not start if the mower is not in neutral.
 - ⚠ The engine will crank, but not start if the blade drive lever is engaged.
 - ⚠ The engine should start if the transmission is in neutral and the blade drive lever is disengaged.
- Check to make sure that all the fittings have been lubricated

MOWER OPERATION

READ AND UNDERSTAND THE SAFETY INSTRUCTIONS BEFORE ATTEMPTING TO OPERATE THE MOWER

BEFORE STARTING THE ENGINE

- ⚠ Check oil level in the engine.
- ⚠ Fill the fuel tank with clean, lead-free gasoline.
- ⚠ Open the fuel line shut-off on the bottom of the fuel tank.
- ⚠ **NOTE:**
 - The transmission must be in neutral.
 - The blade drive lever must be disengaged.
 - Operator presence levers must be released.
 - Steering levers must be in the neutral lock position.

START THE ENGINE

When starting a cold engine, move throttle control to choke position. When restarting a warm engine , move throttle control to a mid position.

BLADE DRIVE



Adjustment & Repairs

Squeeze and hold the operator presence levers engaged. Push the mower blade drive lever forward to engaged position. The blades will rotate at high speed. Pull the mower blade drive lever backward to disengaged position to stop the blades. FIG5.

THE BLADE TIP SPEED ON 28" IS 14,240 FEET PER MINUTE

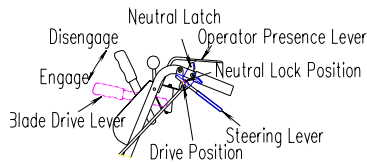


FIG5



NOTE:

When the blade drive lever is engaged or disengaged, a squealing sound from the underside of the mower deck is normal. It is caused by the blade rotate speed sudden changing. Slowly push the mower blade drive lever forward to engaged position. For best mower life, engage the blade drive lever with the engine at 3/4 throttle.

WHEEL DRIVES

SQUEEZE THE STEERING LEVERS WITH BOTH HANDS TO KEEP THE NEUTRAL LATCHES IN THE NEUTRAL LOCK POSITION, MOVE GEAR SHIFT LEVER TO I, II, OR III POSITION.



NOTE:

- Top speed is only used for transportation.
- While squeezing the steering levers with both hands, release right and left neutral latches, release right and left steering lever to make the mower travel.
- When the steering levers are released, the mower will travel straight. To make a right turn, squeeze the steering lever RH. To turn left, squeeze the steering lever LH.

STOPPING THE MOWER

To stop, squeeze both the steering levers, lock the neutral latches, and shift the transmission into neutral.



NOTE:

Push the gear shift lever forward to increase speed, but the mower must be at full stop before decreasing speed.

ADJUSTMENTS AND REPAIRS

MOWER DECK ADJUSTMENTS

- Due to the many cutting conditions that exist, it is necessary to adjust

the cutting height. The cutting height can be adjusted from 1.5" to 3" (WY28B: form 2" to 4") in 0.5" increments by changing the height of the mower deck.

- To raise the mower deck, pull J-pin, align the hole of left carrier frame or right carrier frame on the register mark of the mower deck, release J-pin, make sure the reading of register mark is the same. FIG6.



WARNING:

Be sure engine is off and blade is at a full stop to adjust the cutting height. Failure to follow this instruction could result in personal injury or mower damage.

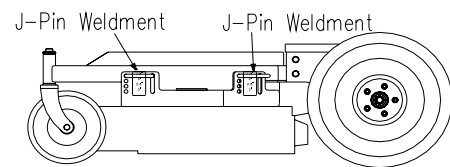


FIG6

MOWER DECK BELT ADJUSTMENTS

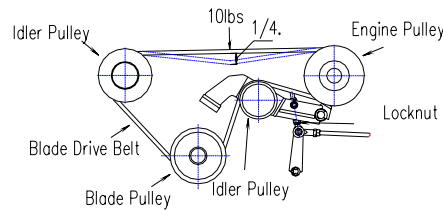


FIG7

- Remove the belt cover.
- Adjust the mower deck belt using a belt tension gauge. The blade drive lever is engaged, tension the mower belt, and adjust the belt so that the belt moves 1/4" with 10 pounds of pressure. Adjust the tension by tightening or loosening the nut. FIG7



NOTE:

Due to initial belt stretch and to prevent the belt from slipping, check this adjustment after the first 2 hours, 4 hours and 8 hours of operation.



WARNING:

Be sure engine is off before removing belt cover.

TRANSMISSION DRIVE BELT

Transmission drive belt is on the underside of the engine frame weldment, adjust the belt so that the belt moves 1/4" with 10 pounds of pressure, adjust the tension by moving transmission drive idler pulley. FIG8.

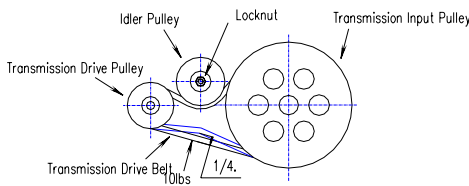


FIG8



WARNING:

Shut off engine and disconnect the spark plug wire before adjusting the belt.

WHEEL DRIVE BELTS ADJUSTMENTS

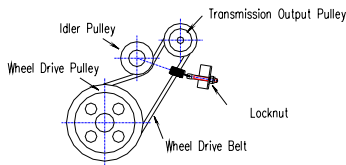


FIG9

Adjust the wheel drive belts on both sides of the mower when the mower pulls to one side. Turn to left, adjust the belt on the right side of the mower, tension it more, otherwise, adjust the belt on the left side of the mower. FIG9.

BLADE REPLACEMENT

Remove belt cover, remove blade bolts, washer, plate and locknut. Replace all parts in proper order. Be sure Blade coupling above the blade and the flats in blade are aligned with flats on the blade spindle. Torque to $90 \pm 18\text{N.M}$. Be sure that both blades are positioned equally and perpendicular to each other. FIG10, FIG11.

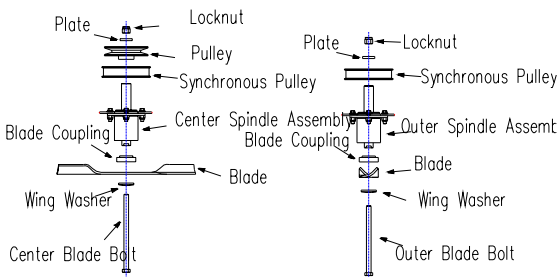
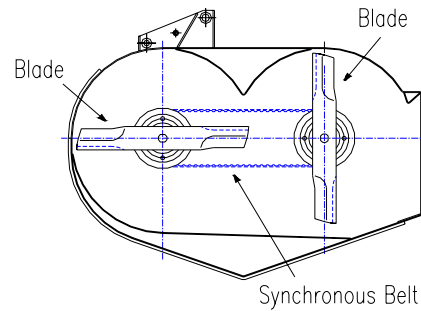


FIG10



WY28 WY28B

FIG11



WARNING:

Be sure engine is off before removing belt cover and replacing blades.

BLADE DRIVE BELT Replacement (1.5"—3")

Remove the belt cover, loosen four locknuts of belt guard bracket(s) on the mower deck, rotate the belt guard bracket(s) outward at an angle. Loosen the locknuts of the belt guard besides engine pulley on the engine frame, rotate the guards upward at an angle, and install new belt. Reinstall guards and guards bracket(s), keep the blade drive lever in the engage position, tighten the belt, and give a 3mm clearance between the guards and pulley. Tighten all the nuts. Check the belt for proper tension. Reinstall the belt cover. FIG12. Otherwise, owner/user is responsible for accidents or injuries occurring.

BLADE DRIVE BELT Replacement (2"—4")

Remove the belt cover, loosen four locknuts of the belt guard bracket(s) on the mower deck, rotate the belt guard bracket(s) outward at an angle. Loosen locknuts of the belt guard on the belt guard fixed seat on the mower deck, loosen bolts of the belt guard bracket(s) besides engine pulley on the engine frame and nuts of the long bolt on the right belt guard bracket(s). Rotate the guards upward at an angle, and install new belt. Reinstall guards and guards bracket(s), keep the blade drive lever in the engage position, tighten the belt, and give a 3mm clearance between the guards and pulley. Tighten all the nuts and bolts. Check the belt for proper tension. Reinstall the belt cover. FIG13. Otherwise, owner/user is responsible for accidents or injuries occurring.



NOTE:

All locknuts on belt guards (and brackets) must be securely tightened.

SYNCHRONOUS BELT REPLACEMENT

Remove the belt cover, remove blade drive belt from the blade pulley, remove plank, Remove locknut and plate on the outer blade bolt, remove synchronous belt and synchronous pulley. Replace all parts in proper order. FIG11.

Replace synchronous belt every 200 hours.



WARNING:

Be sure that both blades are perpendicular to each other while installing. It could otherwise result in serious mower damage. FIG11.

TRANSMISSION DRIVE BELT REPLACEMENT

Loosen the locknuts of the belt guard besides engine pulley (or bolts of the belt guard brackets on both sides and nuts of the long bolt on the right belt guard bracket). Rotate the guard (or belt guard brackets on both sides) at an angle, remove the blade drive belt from the engine pulley, loosen the locknut of transmission drive idler pulley, move the transmission drive idler pulley. Remove the old belt, install new belt. Replace all parts in proper order. Adjust the belt following proper procedure. Tighten all the locknuts. FIG12. FIG13



NOTE:

All locknuts on belt guards must be securely tightened.

BLADE BRAKE PAD REPLACEMENT

Remove belt cover, move blade brake arm assembly out of way, remove hardware securing blade brake pad. Install new pad, center the pad in the blade pulley groove, re-tighten nuts. Test operation of the blade brake system, to see that the blade brake stops blade rotation within 3 seconds. FIG12.

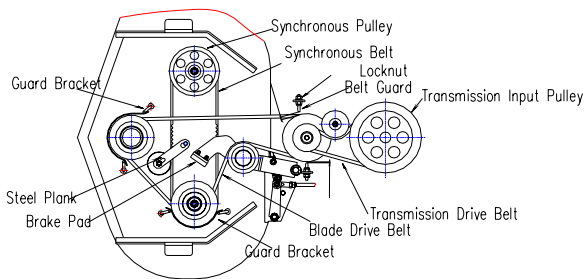


FIG12

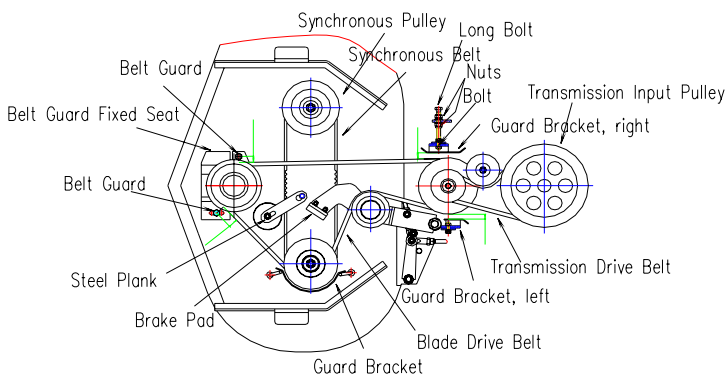


FIG13



NOTE:

Shut off engine and disconnect the spark plug wire before removing belt cover.

WHEEL DRIVE BELT REPLACEMENTS

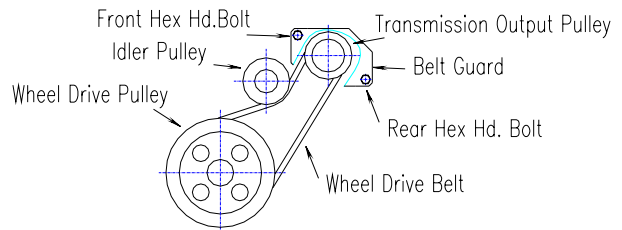


FIG14

Remove rear Hex Hd. Bolt securing Belt Guard, loosen front Hex Hd. Bolt securing Belt Guard, then turn the belt guard around Front Hex Hd. Bolt, squeeze Steering Lever to loosen Idler Pulley, remove the wheel drive belt from Transmission Output Pulley, then remove the belt from wheel drive pulley and drive wheels. Install new belt, replace all parts in proper order, adjust the belt following adjusting belt procedures. FIG14.

REAR WHEEL TUBE REPLACEMENTS

To replace tube, remove tire & rim assembly from the wheel hub weldment, remove bolts from tire & rim assembly, split the rim, remove old tube, install new tube, reinstall drive wheel assembly in proper order.

DRIVE CONTROL ADJUSTMENTS

The drive control is a system of interconnected machine element made up of steering and braking functions, that is to say, one steering lever applies to neutral latch lock position or neutral latch unlock position. When two steering levers are in neutral lock position, the power is disengaged. To brake, adjust brake lever and control rod beside the mower for the same strength.

Adjusting control rod: Remove hair pin on the top of control rod, pull out the control rod from steering lever, turn the control rod so that the length of two control rods is same, reinstall all parts in proper order.

Adjusting brake lever: Loose or tighten locknut at the bottom of brake lever to adjust the length of the brake lever. FIG15.

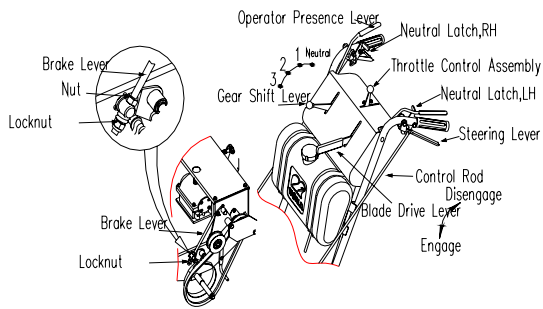


FIG15

SHIFT CONTROL ROD ADJUSTMENTS

When the transmission is in neutral, adjust the shift control rod so that the switch travel is compressed more than 5 mm. To adjust the shift control rod, remove the hair pin on the top of the shift control rod, pull out the shift rod from the gear shift lever, turn the shift control rod as needed, then reinstall all parts in proper order. FIG16.

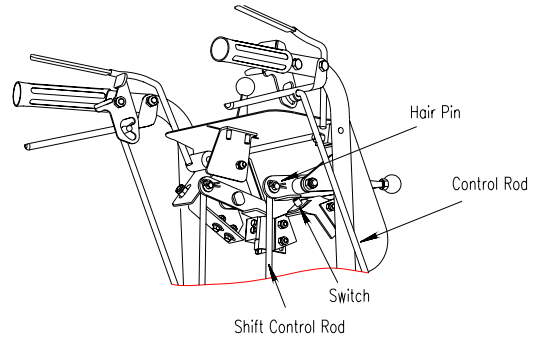


FIG16

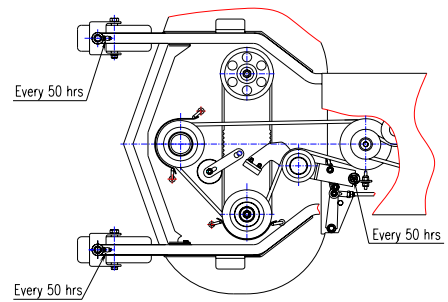
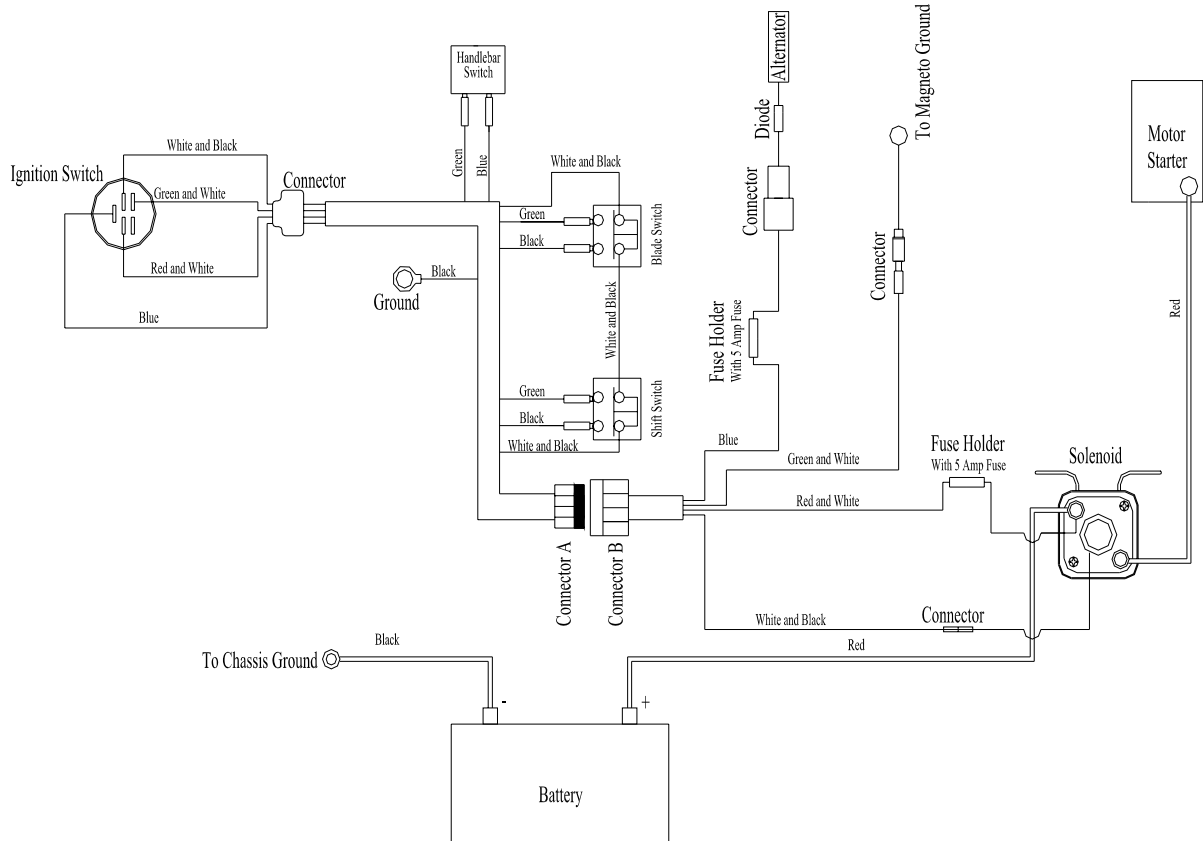


FIG17

Electrical Schematic

WIRING HARNESS DIAGRAM

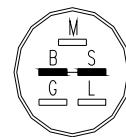
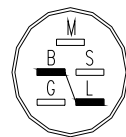
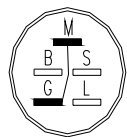


Switch Code

M- [Magneto]
 S- [Solenoid-coil]
 L- [Antifire Solenoid(Optional)]
 G- [Ground]
 B- [Battery]

Ignition Switch

Position One Position Two Position Three



OFF: Mag to Ground **RUN:** Alt to Batt **START:** Batt to Sol

REAR VIEW

SERVICE INSTRUCTIONS TO TRANSMISSION

Service Interval

The first service time: 80 hours

The next service time: every 300 hours

Service Method

- Remove drain plug from the back of transmission , and drain lubricate oil into a container, see FIG19.
Caution: Make sure to completely drain all the lubricating oil from transmission.
- Replace drain plug into the transmission and tighten.
- Remove the fill / plug.
- Put 0.25L #18 hyperbolic gear oil into the transmission, see FIG19.
- Replace fill/ plug into the transmission and tighten. Clean the surface of transmission, see FIG19.

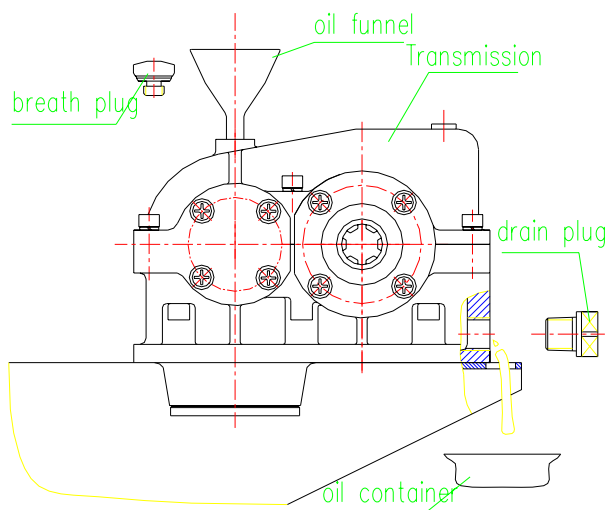


FIG19

GRASS CATCHER & COUNTER-WEIGHT

Grass catcher : FIG18.

Model: WY28-NGC

Capacity: 80 Liters (2.1 Bushels)

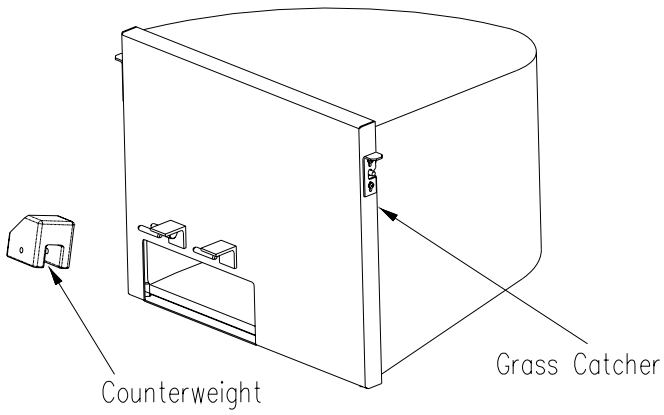


FIG18



LIMITED WARRANTY
WORL DLAWN POWER EQUIPMENT, INC
28" MOWER

Worldlawn Power Equipment, Inc, ("Worldlawn") warrants that the worldlawn 28" Mower ("Mower") will be free from defects in material and workmanship for a period of one year commercial from the original date of purchase. During the warranty period, Worldlawn will repair or replace, at its option, any Mower or part thereof which is found to be defective in material or workmanship. This warranty specifically excludes wear items, including but not limited to belts, blades and tires. This warranty also specifically excludes parts covered by another manufacturer's warranty, which parts are covered only by that manufacturer's warranty.

This limited warranty extends only to the original retail purchaser ("Owner") of a Mower. It is not transferable. This warranty extends only to those Mowers purchased for private residential and commercial use . A Mower purchased for any other reason, for example as a rental unit, shall have a ninety (90) day warranty under the same terms and conditions as set forth herein.

Proof of purchase will be required to substantiate all warranty claims. All warranty work must be performed by an authorized Worldlawn Dealer. Any work done on or to the Mower by anyone other than an authorized Worldlawn Dealer, including the original purchaser, voids all provisions of this warranty except those provisions which limit Worldlawn's liability (as set forth below).

Any Mower or part thereof which, at worldlawn's sole discretion, is deemed defective shall be repaired or replaced , at worldlawns option, without charge for parts or labor. To take advantage of this warranty, the Mower must be returned to an authorized worldlawn Dealer within the warranty period. The cost of delivering the Mower to the authorized Dealer and return delivery shall be the responsibility of the Owner.

Worldlawn's sole responsibility with any claim made under this warranty is limited only to repairing or replacing the mower or a defective part thereof, and no claim of breach of warranty shall be cause for rescision , cancellation, or voiding the contract of sale of the Mower.

This warranty does not extend to any Mower or part thereof which has been misused, neglected, damaged, abused, not properly installed or maintained , altered or which has been operated in any way contrary to the operating instructions as specified in the Owner/Operator Manual. This warranty does not extend to any repair or replacement made necessary by normal use . This warranty does not extend to the engine which is warranted separately by the engine manufacturer.

THE WARRANTY EXPRESSED HEREIN IS IN LIEU OF OTHER WARRANTIES,EXPRESSED OR IMPLIED, INCLUDING, WITHOUT LIMITATION, ANY IMPLIED WARRANTY OR MERCHANTABILITY OR FITNESS FOR A PARTICULAR USE AND IS IN LIEU OF ANY AND ALL OTHER OBLIGATIONS OR LIABILITY ON WORL DLAWN'S PART.

UNDER ANY AND ALL CIRCUMSTANCES, WORL DLAWN'S TOTAL LIABILITY TO OWNER FOR ANY AND ALL CLAIMS, LOSSES OR DAMAGES, INCLUDING LOSS OF PROFITS, ARISING OUT OF ANY CAUSE WHATSOEVER, WHETHER BASED IN CONTRACT, NEGLIGENCE OR OTHER TORT, STRICT LIABILITY, BREACH OF WARRANTY OR OTHERWISE, SHALL IN NO EVENT EXCEED THE PURCHASE PRICE OF THE MOWER . IN NO EVENT SHALL WORL DLAWN BE RESPONSIBLE FOR SPECIAL, INCIDENTAL, CONSEQUENTIAL OR EXEMPLARY DAMAGES.



Worldlawn Power Equipment, Inc.

422 Turnbull Canyon Road City of Industry CA 91744

Phone:(626) 934-8552

Fax: (626) 934-8162

E-mail: worldlawnmower@adelphia.net

Form No. 28102-200801