

Parts Catalog



WORLDLAWN®

WYRZ46XS/50XL/60XL

Residential Zero Turn Mower



WorldlawnPower Equipment, Inc.
401 N. Commerce Street, Beatrice, NE 68310
Toll Free Number: 1-800-267-4255



Table of Contents

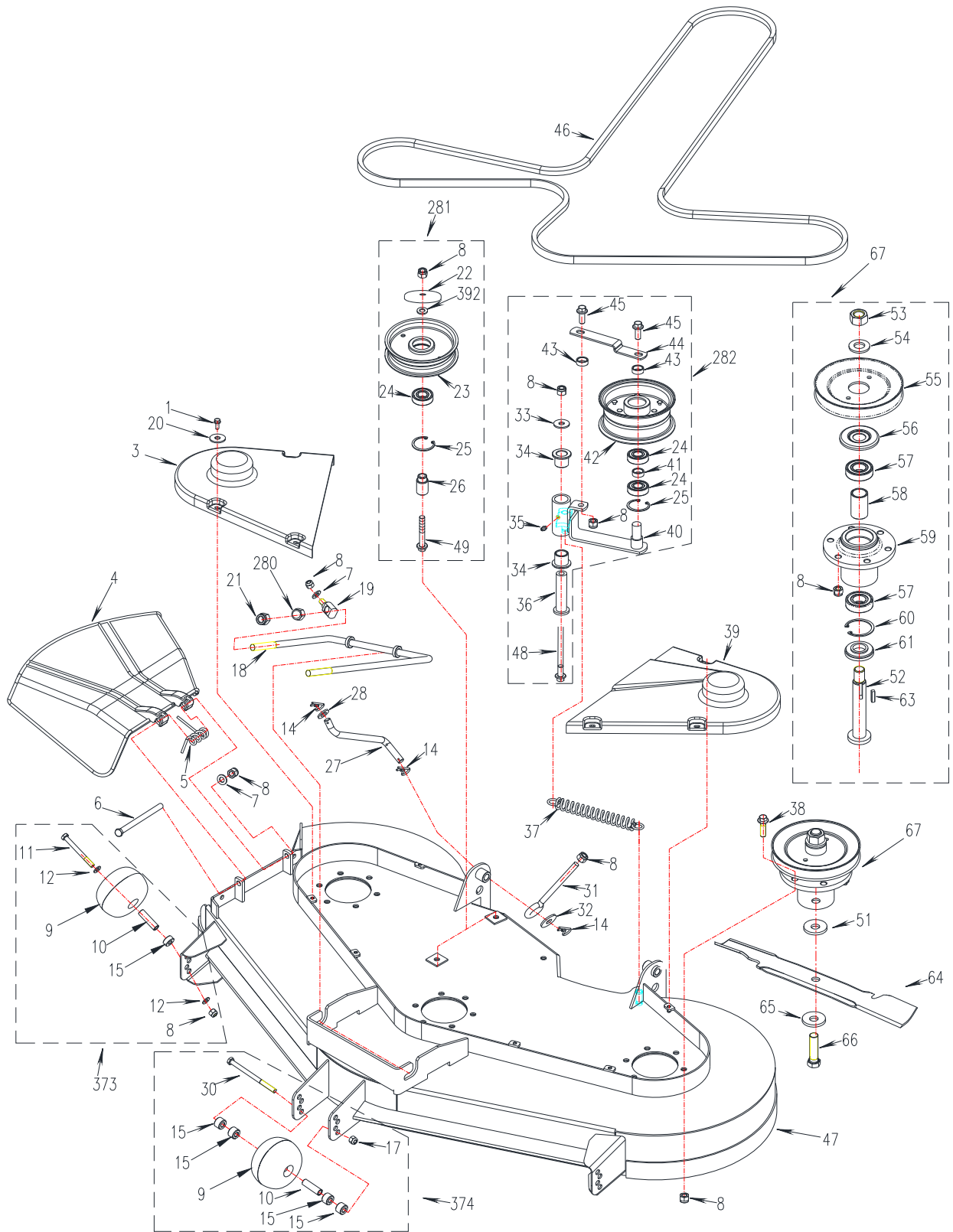
Table of Contents

Mower Deck Assembly.....	1
Front Frame Assembly.....	3
Control Assembly.....	5
Engine System	7
Driving System.....	9
Mower Deck Height Adjustment	10
Fuel Tank Assembly.....	11
Safety/Operation and Product Decals.....	12
Electrical System	14



WORLDLAWN®

Mower Deck Assembly

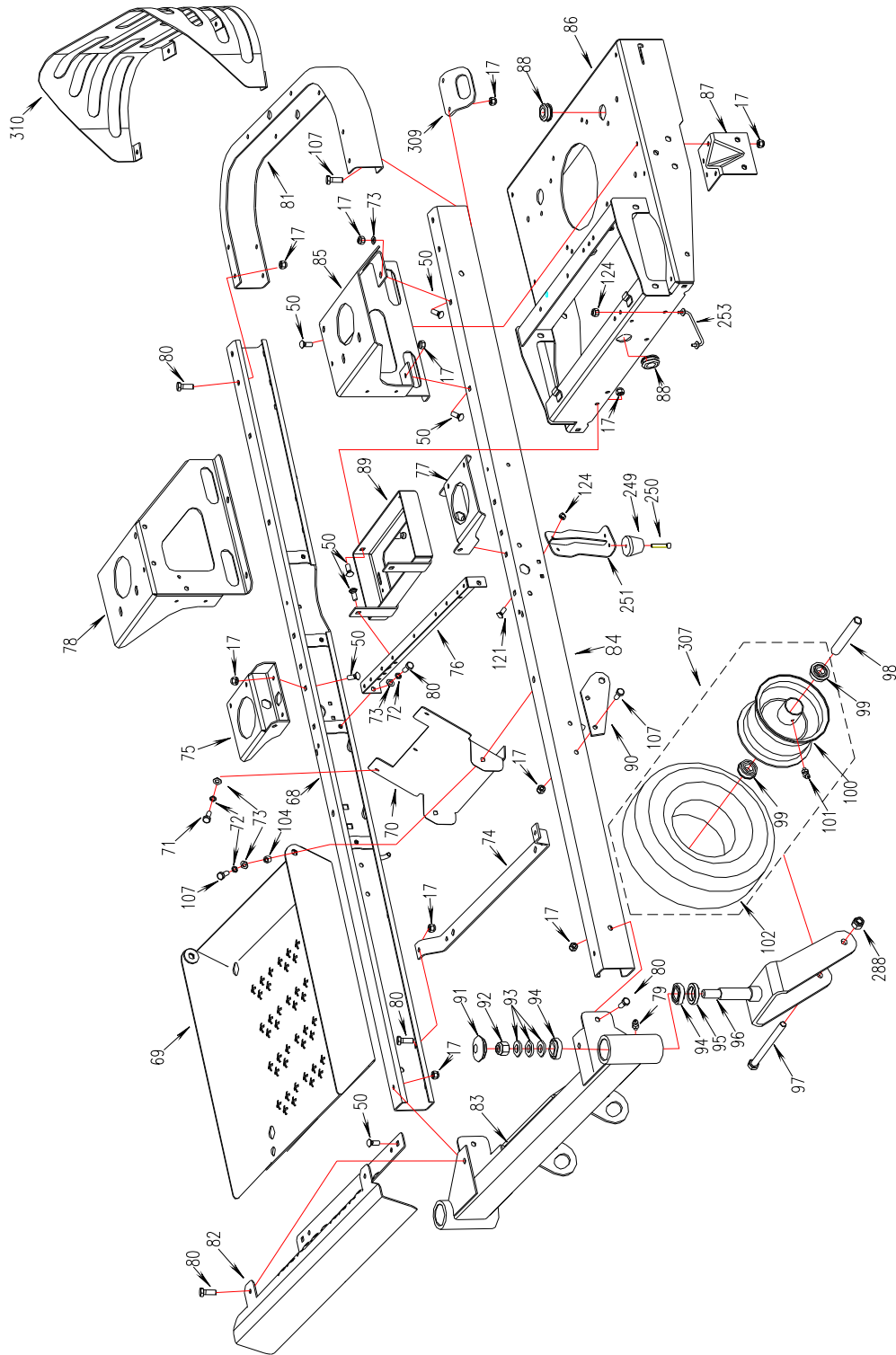




Ref	P/N	Description	46XS	50XL	60XL	Ref	P/N	Description	46XS	50XL	60XL
1	B5783-616	Hex hd bolt M6×16	x	x	x	41	5201077	Bearing Spacer	x	x	x
3	4601119	Right Belt Cover	x			42	5201064	Tension Pulley	x	x	x
	5001016	Right Belt Cover		x		43	5201078	Bearing Spacer M10	x	x	x
	6011003	Right Belt Cover			x	44	5201062	Tension Pulley Brace	x	x	x
4	5001004	Discharge Chute	x	x	x	45	B5787-1025	Bolt M10X25	x	x	x
5	5001007	Torsion Spring	x	x	x	46	4601002	Blade Drive Belt	x		
6	2802008	Bolt M10*160	x	x	x		5001002	Blade Drive Belt		x	
7	B97.1-10	Flat Washer M10	x	x	x		6011001	Blade Drive Belt			x
8	B6182-10	Locknut M10	x	x	x	47	4601340	Deck Weldment	x	x	x
9	5001333	Floating Roller	x	x	x		5001340	Deck Weldment	x	x	x
10	5001334	Bolt Sleeve	x	x	x		6011040	Deck Weldment	x	x	x
11	B5782-880	Bolt M8*80	x	x	x	48	B5787-10110	Bolt M10×110	x	x	x
12	B97.1-8	Flat Washer M8	x	x	x	49	B5787-1070	Bolt M10×70	x	x	x
14	4806002	Hair Pin	x	x	x	51	5001307	Blade Washer	x	x	
15	5001332A	Bushing 2	x	x	x	52	6011143	Spindle Shaft	x	x	x
17	B6182-8	Locknut M8	x	x	x	53	B6171-20	Nut M20×1.5	x	x	x
18	5001304	Front Deck Support Rod	x	x	x	54	5201048	Washer (2)	x	x	x
19	5001303	Support Rod Pivot Bushing	x	x	x	55	4601356	Blade Pulley	x		
20	B96-6	Flat washer M6	x	x	x		5001306	Blade Pulley		x	
21	B6182-12	Locknut M12	x	x	x		6011141	Blade Pulley			x
22	5201291	Bearing Cover	x	x	x	56	5201044	Upper Dust Guard	x	x	x
23	5201012	Idler Pulley	x	x	x	57	B276-6205RS	Bearing 6205-2RS	x	x	x
24	B276-6203RS	Bearing 6203-2RS	x	x	x	58	5201049	Spindle Bearing Spacer	x	x	x
25	B893.1-40	Snap Ring M40	x	x	x	59	5201050	Spindle Housing	x	x	x
26	5201011	Idler Spacer Bushing	x	x	x	60	B893.2-52	Snap Ring M52	x	x	x
27	5001005	Deck Stabilizer Rod	x	x	x	61	5201043	Lower Dust Guard	x	x	x
28	B97.1-12	Washer M12	x	x		63	B1096-B625	Key B6×25	x	x	x
30	B5782-8120	Bolt M8×120	x	x	x	64	4601001U	Blade	x		
31	5001401	Deck lift Rod	x	x	x		5001001U	Blade		x	
32	5001006	Washer M12	x	x	x		6001004U	Blade			x
33	5001083	Washer M10	x	x	x	65	5201042	Washer (1)	x	x	x
34	3301003	Olite bronze bushing	x	x	x	66	B5785-161560	Bolt M16×1.5×60	x	x	x
35	B1152-6	Grease Fitting M6	x	x	x	67	4601355	Spindle Assembly	x		
36	5001081	Pivot Tensioner Mount	x	x	x		5001305	Spindle Assembly		x	
37	5207015	Tension Spring		x	x		6011140	Spindle Assembly			x
	4211004	Tension Spring	x			280	B6172-12	Locknut M12	x	x	x
38	B5787-1035	Bolt M10×35	x	x	x	281	5201010	Tension Pulley ASM	x	x	x
39	4601120	Left Belt Cover	x			282	5001080	Tension Pulley ASM	x	x	x
	5001017	Left Belt Cover		x		373	T001120	Anti Scalp Roller ASM	x	x	x
	6011002	Left Belt Cover			x	374	5001330	Anti Scalp Roller ASM	x	x	x
40	5001090	Deck Belt Tension Arm	x	x	x	392	5002164	Padding Block	x	x	x



Front Frame Assembly





WORLDLAWN®

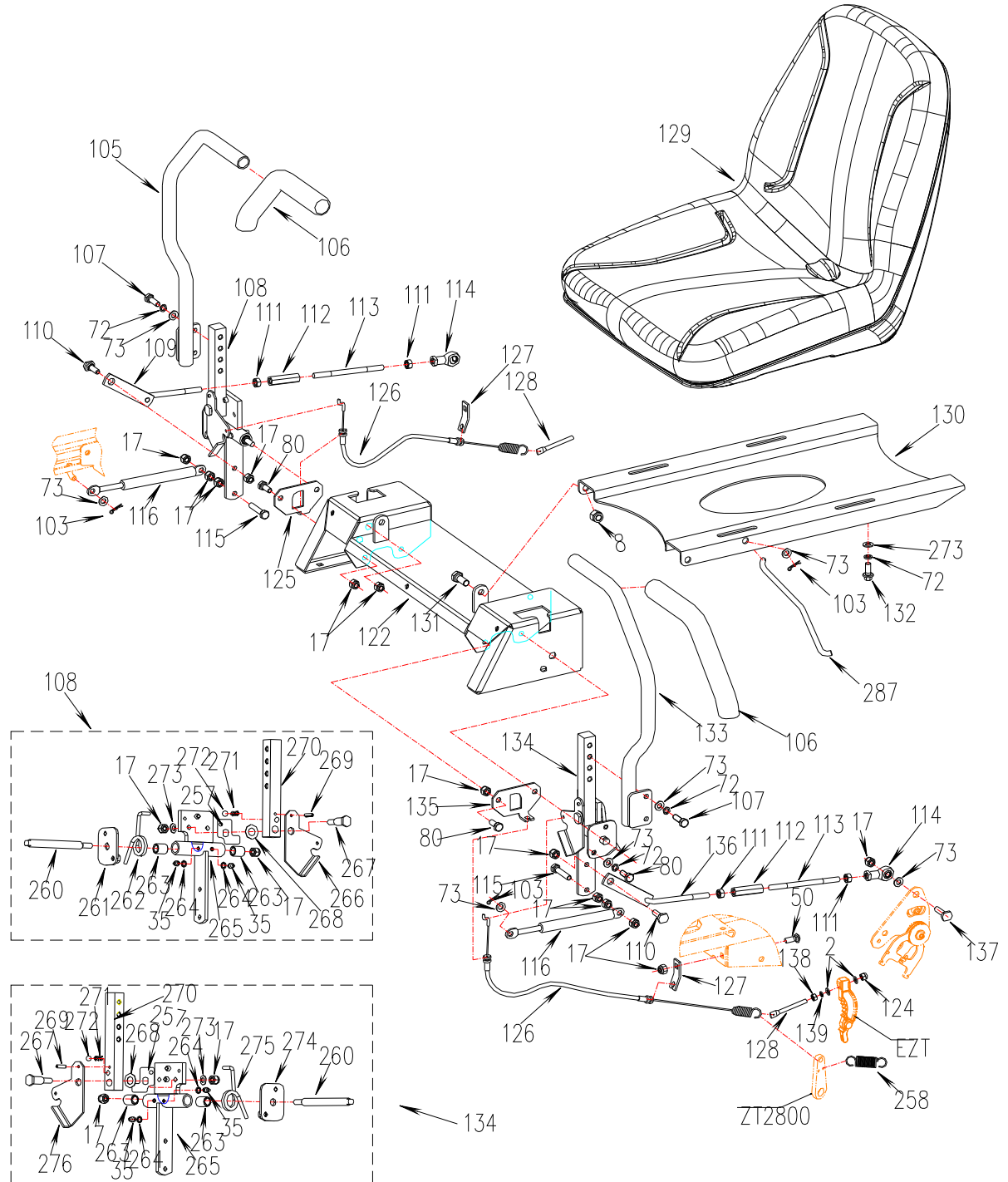
Front Frame Assembly

Ref	P/N	Description	46XS	50XL	60XL	Ref	P/N	Description	46XS	50XL	60XL
17	B6182-8	Locknut M8	x	x	x	93	5002091	Spring washer M16	x	x	x
50	B801-820	Hex Hd Bolt M8×20	x	x	x	94	B297-32922	Bearing 329/22	x	x	x
68	5002335	Right Beam	x	x	x	95	B9877.1-28407	Grease Seal 28×40×7	x	x	x
69	5002355	Foot Plate	x	x	x	96	5002435	Caster Wheel Yoke		x	x
70	5002305	Panel	x	x	x		5002095	Caster Wheel Yoke	x		
71	B5783-816	Hex Hd Bolt M8×16	x	x	x	97	B5782-12180	Bolt M12×180		x	x
72	B93-8	Split Lock Washer M8	x	x	x		B5782-12150	Bolt M12×150	x		
73	B97.1-8	Flat Washer M8	x	x	x	98	5002431	Caster Wheel Bushing		x	x
74	5002321	Front Supporting Plate	x	x	x		5002092	Caster Wheel Bushing	x		
75	5002017	Front RH Tank Bracket	x	x	x	99	5002103	Bearing	x	x	x
76	5002322	Middle Cross Beam	x	x	x	100	5002442A	Wheel Rim 6×3.2		x	x
77	5002016	Front LH Tank Bracket	x	x	x		5002102	Wheel Rim 5×3	x		
78	5002310	Rear RH Tank Bracket	x	x	x	101	B1153-6	Grease Fitting M6, 45°	x	x	x
79	B1152-8	Grease Fitting M8×1	x	x	x	102	5002411	Tire 13×5		x	x
80	B5783-820	Bolt M8×20	x	x	x		5002101	Tire 11×4	x		
81	5002339	Rear Guard	x	x	x	104	5002007	Bushing	x	x	x
82	5002307	Front Bump	x			107	B5783-825	Hex Hd Bolt M8×25	x	x	x
	5002407	Front Bump		x	x	121	B801-616	Hex Hd Bolt M6×16	x	x	x
83	5002325	Front Bump	x			124	B6182-6	Locknut M6	x	x	x
	5002425	Front Beam		x	x	249	5201003	Cushion			
84	5002330	Left Beam	x	x	x	250	B70-630	Screw M6×30	x	x	x
85	5002309	Rear LH Tank Bracket	x	x	x	251	5002365	Deck Stop			
86	5002380	Engine Base Weldment	x	x	x	253	5002390	Wire rod welding	x	x	x
87	5002085	Frame Brace	x	x	x	288	B6182-12	Locknut M12	x	x	x
88	4LZ2.16.4-04	Rubber Bushing M29	x	x	x	307	5002440A	Front Wheel(black)		x	x
89	5002336	Battery Tray	x	x	x		462110	Front Wheel(black)	x		
90	5002408	StabilizerArm Mount		x	x	309	5009026	Fixed Plate	x	x	x
	5002308	StabilizerArm Mount	x			310	5002029A	Rear Engine Guard	x	x	x
91	5002020	Cap,Dust	x	x	x						
92	B6184-16	Nut M16	x	x	x						



WORLDLAWN®

Control Assembly





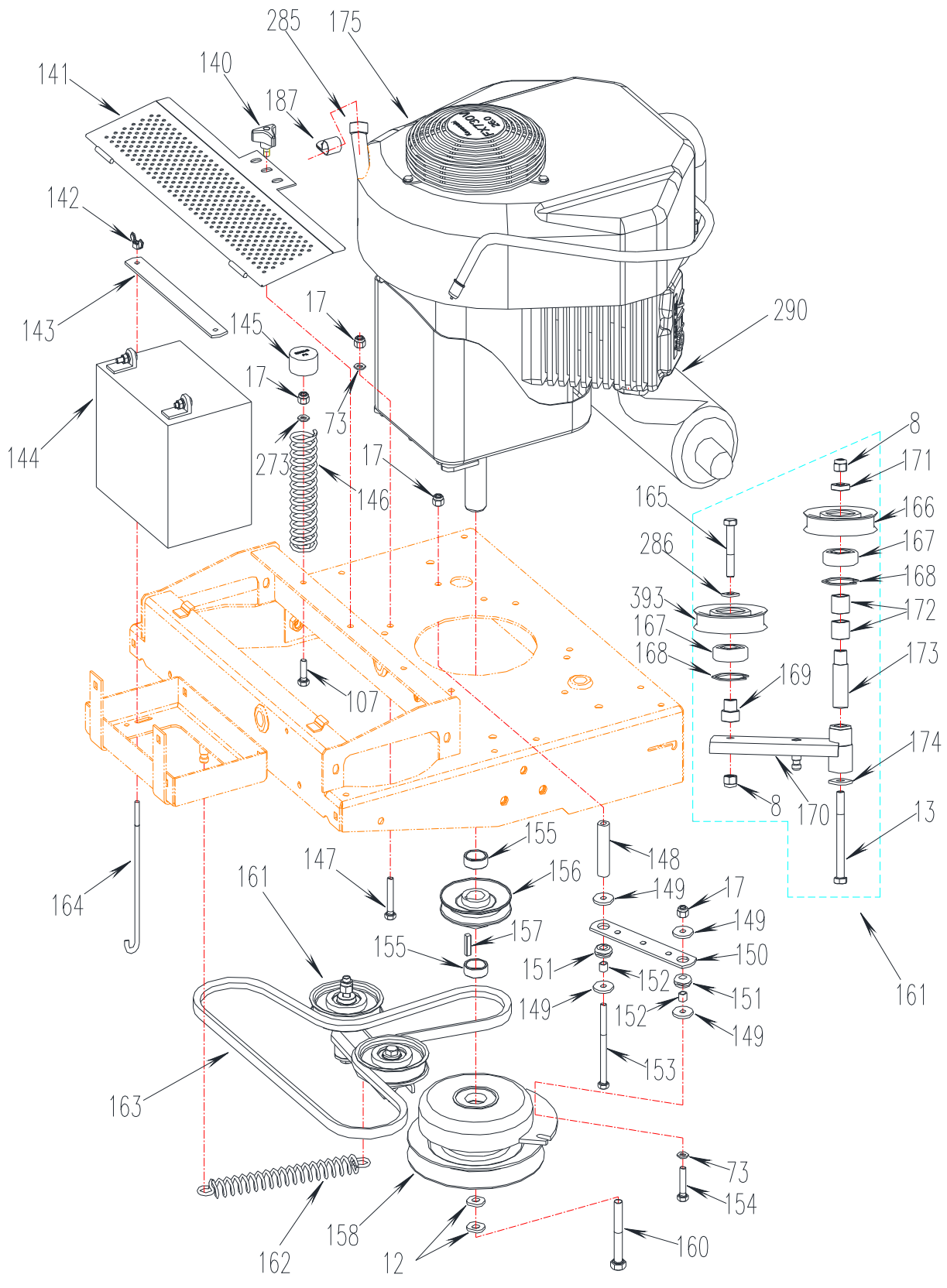
WORLDLAWN®

Control Assembly

Ref	P/N	Description	46XS	50XL	60XL	Ref	P/N	Description	46XS	50XL	60XL
2	B97.1-6	Flat Washer M6	x			131	B5783-1025	Bolt M10×25	x	x	x
8	B6182-10	Locknut M10	x	x	x	132	100271	Bolt 5/16-18×3/4	x	x	x
17	B6182-8	Locknut M8	x	x	x	133	5002145A	Left Handle	x	x	x
35	B1152-6	Grease Fitting M6	x	x	x	134	5002341	LH Handle Mount ASM	x	x	x
50	B801-820	Hex Hd Bolt M8×20	x	x	x	135	5002032	Left Switch Bracket	x	x	x
72	B93-8	Split Lock Washer M8	x	x	x	136	5002131	Left Control Link	x	x	x
73	B97.1-8	Flat Washer M8	x	x	x	137	5002009	Axle Pin 2	x	x	x
80	B5783-820	Bolt M8×20	x	x	x	138	B6170-6	Nut M6	x		
103	XSZ56-1-17	Hair Pin	x	x	x	139	B93-6	Lock Washer M6	x		
105	5002140A	Right Handle	x	x	x	257	5002270	Pad	x	x	x
106	5002034	Handle Grip	x	x	x	258	5002260	Brake Tension Spring	x	x	x
107	B5783-825	Hex Hd Bolt M8×25	x	x	x	260	5002111	Pivot Shaft	x	x	x
108	5002343	RH Handle Mount ASM	x	x	x	261	5002347	Spring Bracket RH	x	x	x
109	5002138	RH Control link	x	x	x	262	5002118	Torsion Spring, RH	x	x	x
110	5002008	Shoulder Pin	x	x	x	263	B2685-121618	Oilite Bronze Bearing 12×16×18	x	x	x
111	B6170-8	Locknut M8	x	x	x	264	B861.1-6	Washer M6	x	x	x
112	5002134	Neutral Buckle M8	x	x	x	265	5002120	Pivot Block Weldment	x	x	x
113	5002135	Screw M8	x	x	x	266	5002344	Right Brake Panel	x	x	x
114	SIBJK 8T	Rod End Bearing	x	x	x	267	5002112	Operating Pin Roll	x	x	x
115	B5783-840	Hex Hd Bolt M8×40	x	x	x	268	2806061	Washer M12	x	x	x
116	5205012	Damper	x	x	x	269	B879-52	Pin 5×20	x	x	x
122	5002350	Control Panel Mount	x	x	x	270	5002113	Pole	x	x	x
124	B6182-6	Locknut M6	x			271	5002114	Spring	x	x	x
125	5002031	Right Switch Bracket	x	x	x	272	B308-4	Steel Ball SR4	x	x	x
126	5002210	Brake Cable	x	x	x	273	2800006	Flat Washer M8	x	x	x
127	5002005	Cable Mount Bracket	x	x	x	274	5002345	Spring Bracket LH	x	x	x
128	5002026	Brake Adjustment Link	x			275	5002117	Torsion Spring, LH	x	x	x
129	5000098	Seat	x	x	x	276	5002342	Left Brake Panel	x	x	x
130	5000081A	Seat Plate	x	x	x	287	5000002	Seat Pull Rod	x	x	x



Engine System



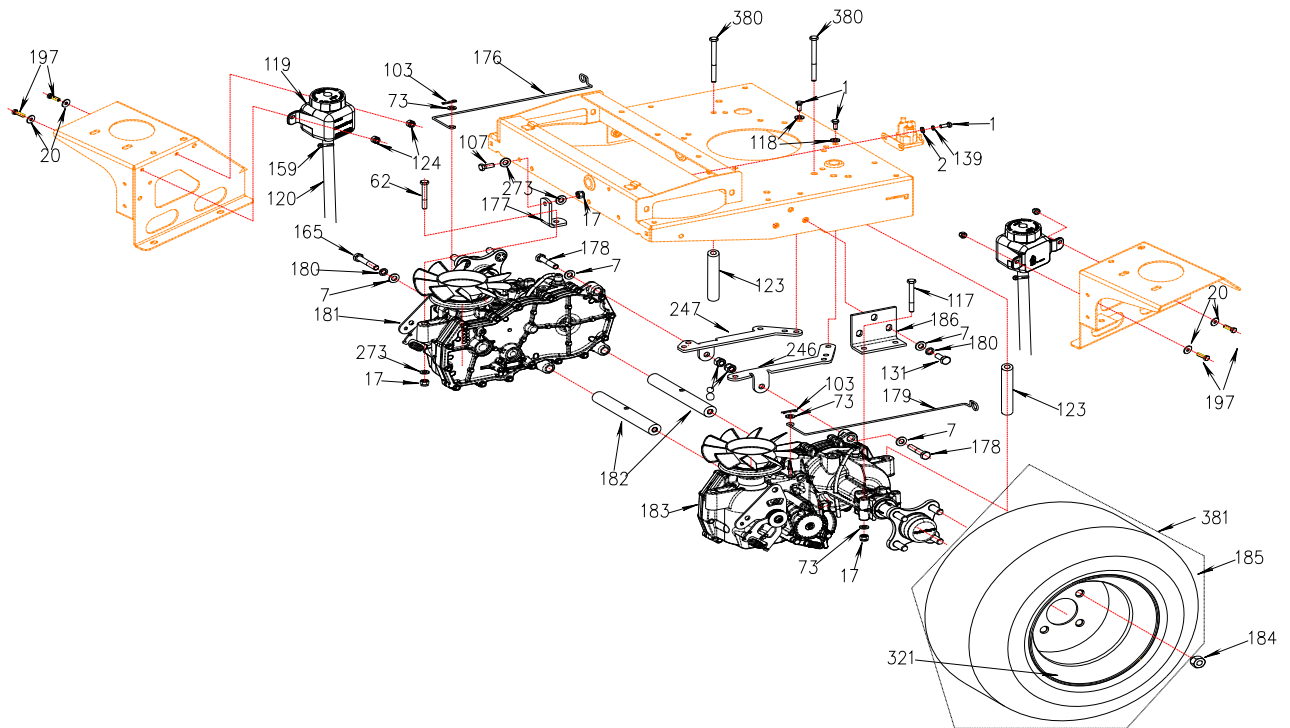


Ref	P/N	Description	46XS	50XL	60XL
8	B6182-10	Locknut M10	x	x	x
12	5201061	Washer	x	x	x
13	B5782-10100	Bolt M10×100	x	x	x
17	B6182-8	Locknut M8	x	x	x
73	B97.1-8	Flat Washer M8	x	x	x
107	B5783-825	Hex Hd Bolt M8×25	x	x	x
140	3302190	Three-Arm Knob	x	x	x
141	5002385	Fan Cover	x	x	x
142	B62-6	Nut M6	x	x	x
143	3203004	Battery Strap	x	x	x
144		Battery	x	x	x
145	5203045	Spring Cover	x	x	x
146	5002022	Spring	x	x	x
147	B5783-835	Hex Hd Bolt M8×35	x	x	x
	5203435	Bolt 3/8-16UNC×1-1/2		x	x
148	5002371	Clutch Stop Spacer	x	x	x
149	5203408	Washer	x	x	x
150	5203411	Clutch Stop Strap	x	x	x
151	5203410	Rubber Washer M17	x	x	x
152	5203409	Bushing	x	x	x
153	B5782-890	Hex Hd Bolt M8×90	x	x	x
154	B5783-835	Hex Hd Bolt M8×35	x	x	x
155	3607002	Bushing	x	x	x
156	5002152	Pump Drive Pulley	x	x	x
157	5203405	Key 6.35×25	x	x	x
158	463564	Clutch	x		
	4804005A	Clutch		x	x

Ref	P/N	Description	46XS	50XL	60XL
160	5203412	Bolt 7/16-20UNF×3	x	x	x
161	5002160	Tension Pulley Assembly	x		
	6012010	Tension Pulley Assembly		x	x
162	4806004	Idler Spring	x	x	x
163	5002004	Pump Drive Belt	x		
	6012004	Pump Drive Belt		x	x
164	5208203	hook rod	x	x	x
165	B5782-1060	Bolt M10×60	x	x	x
166	5002175	Tension Idler	x	x	x
167	B276-6303RS	Bearing 6303-2RS	x	x	x
168	B893.2-47	Snap Ring M47	x	x	x
169	5002161	Spacer	x	x	x
170	5002165	Idler Fixed seat	x		
	6012011	Idler Fixed seat		x	x
171	5002164	Padding block	x	x	x
172	B2685-202420	Bearing 20×24×20	x	x	x
173	5002163	Pivot Bushing	x	x	x
174	3307004	Washer M11	x	x	x
175		Kawasaki FR651V	x		
		Kawasaki FR691V		x	x
187	3601020	Clamp	x	x	
273	2800006	Flat Washer M8	x	x	x
285	5203420	Oil Drain Hose			Kawasaki Engine
286	3302058	Washer M10	x	x	x
290	5002268	Muffler(Kawasaki FR)	x	x	x
393	6012015	Tension Idler	x	x	x

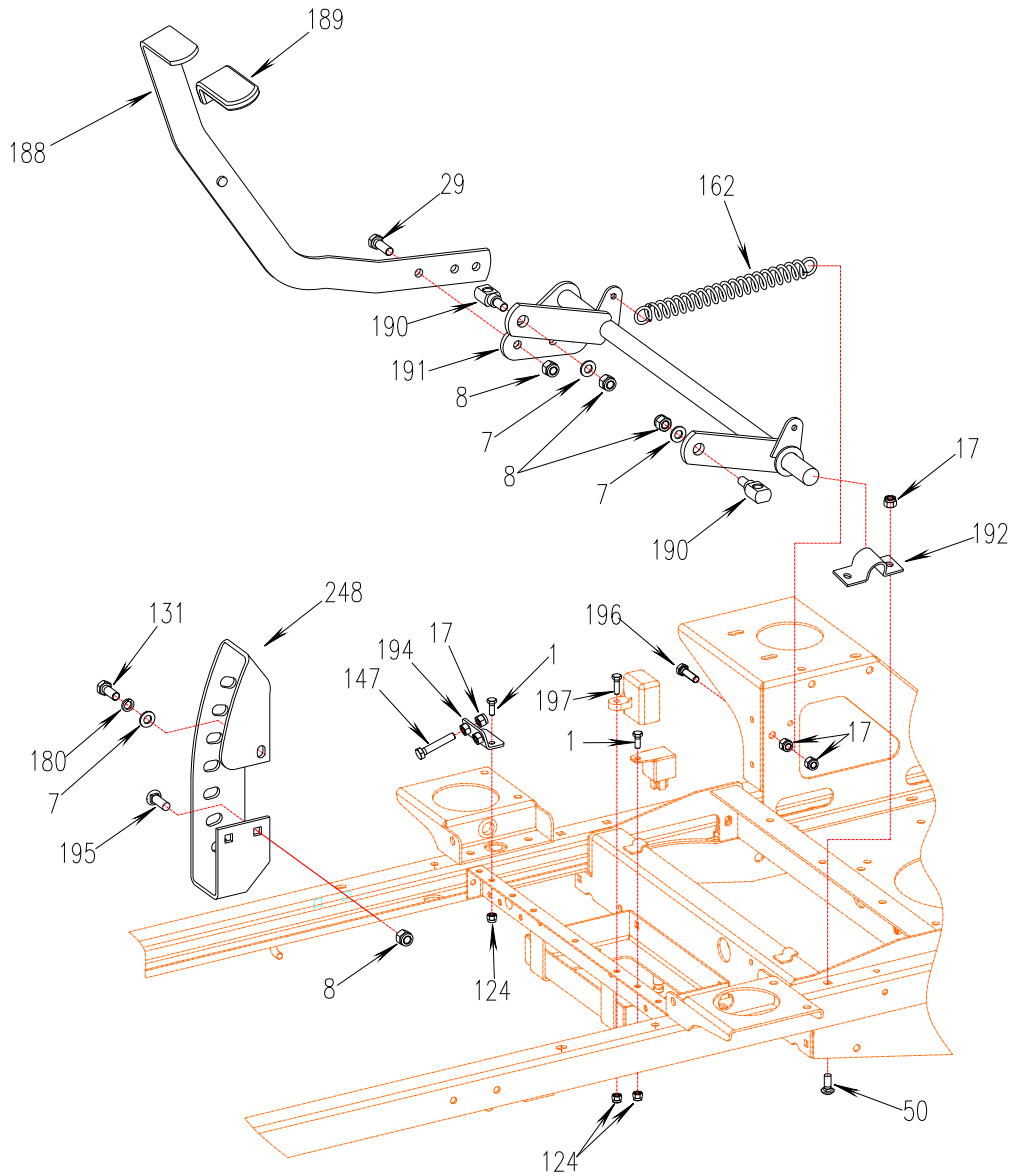


Driving System



Ref	P/N	Description	46XS	50XL	60XL
1	B5783-616	Hex hd bolt M6×16	x	x	x
2	B97.1-6	Flat Washer M6	x	x	x
7	B97.1-10	Flat Washer M10	x	x	x
17	B6182-8	Locknut M8	x	x	x
20	B96-6	Flat washer M6		x	x
62	B5782-860	Bolt M8×60	x	x	x
73	B97.1-8	Flat Washer M8	x	x	x
103	XSZ56-1-17	Hair Pin	x	x	x
107	B5783-825	Hex Hd Bolt M8×25	x	x	x
117	B5782-870	Bolt M8×70	x		
	B5782-880	Bolt M8×80		x	x
118	2802183	Washer M6	x	x	x
119	6012021	Oil Tank		x	x
120	6012022	HOSE		x	x
123	6012005	Spacer Bushing		x	x
124	B6182-6	Locknut M6		x	x
131	B5783-1025	Bolt M10×25	x	x	x
139	B93-6	Lock Washer M6	x	x	x
159	B8870-20	Hose Clamp 12-20		x	x
165	B5782-1060	Bolt M10×60	x	x	x
176	5002024	Release, Hydro RH	x		
	6012009	Release, Hydro RH		x	x
177	5002012	Fixed Plate, Front	x	x	x

Ref	P/N	Description	46XS	50XL	60XL
178	B5782-1050	Bolt M10×50	x		
179	5002023	Release, Hydro LH	x		
	6012008	Release, Hydro LH		x	x
180	B93-10	Washer M10	x	x	x
181	5002011	Right Drive Axle	x		
	6012014	Right Drive Axle		x	x
182	5002087	Axle	x		
	6012020	Axle		x	x
183	5002010	Left Drive Axle	x		
	6012013	Left Drive Axle		x	x
184	5000011/103023	Nut 1/2-20UNF	x	x	x
185	5000056	Tire 20×10-8		x	x
	5000051	Tire 18×9.5-8	x		
186	5002013	Outer Axle Bracket	x	x	x
197	B5783-620	Bolt M6×20		x	x
246	5002014	LH Inner Axle Bracket	x	x	x
247	5002015	RH Inner Axle Bracket	x	x	x
273	2800006	Flat Washer M8	x	x	x
380	B5782-8130	Bolt M8×130		x	x
321	5000052A	Rim 8×7	x	x	x
381	5000055	Drive Wheel 20×10-8		x	x
	5000050A	Drive Wheel 18×9.5-8	x		

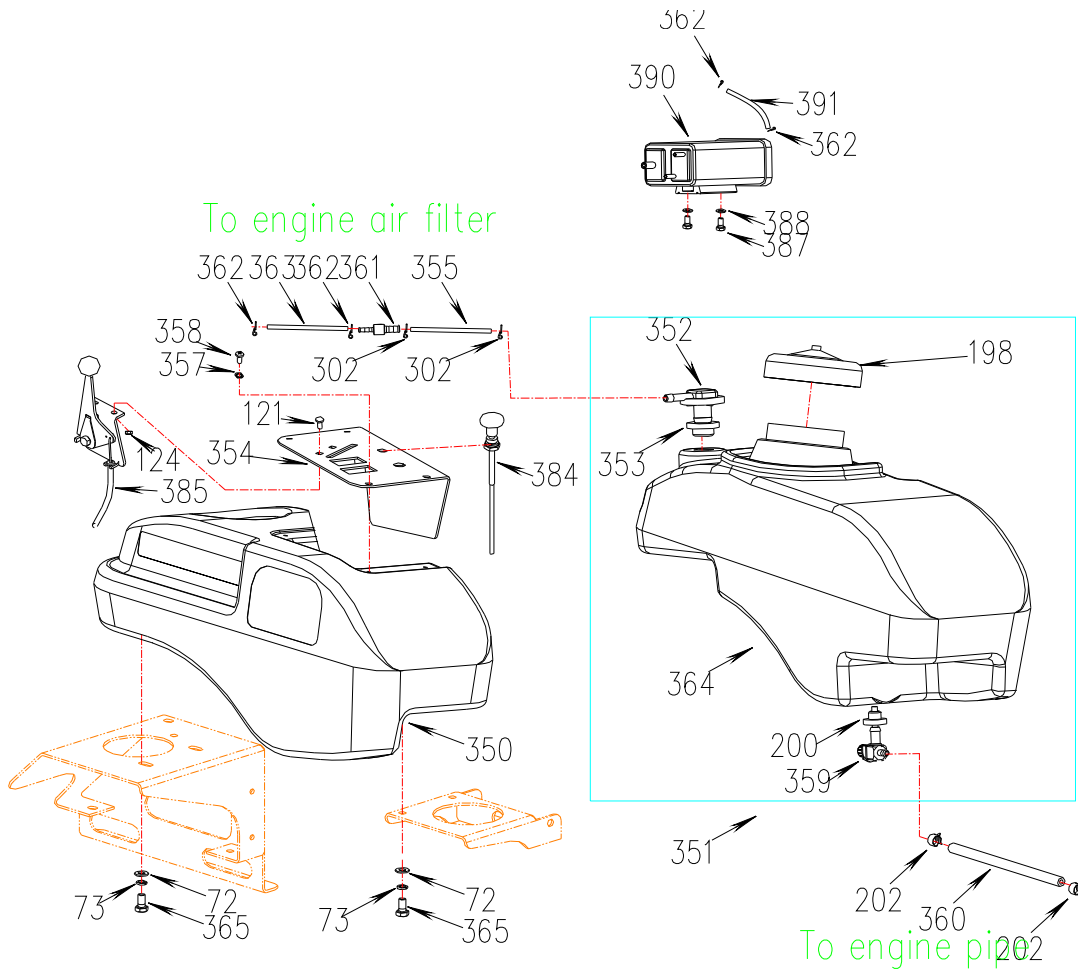


Ref	P/N	Description	46XS	50XL	60XL	Ref	P/N	Description	46XS	50XL	60XL
1	B5783-616	Hex hd bolt M6×16	x	x	x	188	5002190	Lift Lever	x	x	x
7	B97.1-10	Flat Washer M10	x	x	x	189	5002025	Handle Grip	x	x	x
8	B6182-10	Locknut M10	x	x	x	190	5002001	Swivel	x	x	x
17	B6182-8	Locknut M8	x	x	x	191	5002360	DeckLiftShaft Weldment	x	x	x
29	B5783-1030	Hex Hd Bolt M10×30	x	x	x	192	5002306	Clamp	x	x	x
50	B801-820	Hex Hd Bolt M8×20	x	x	x	194	5002250	Limited Adjustable Plate	x	x	x
124	B6182-6	Locknut M6	x	x	x	195	B801-1030	Bolt M10×30	x	x	x
131	B5783-1025	Bolt M10×25	x	x	x	196	B5783-830	Hex Hd Bolt M8x30	x	x	x
147	B5783-845	Bolt M8×45	x	x	x	197	B5783-620	Bolt M6*20	x	x	x
162	4806004	Idler Spring	x	x	x	248	4602021	Cutting Height Bracket	x	x	x
180	B93-10	Washer M10	x	x	x						



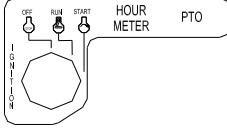

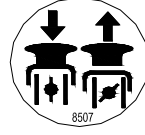
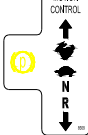
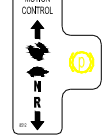

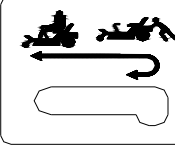
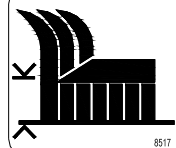
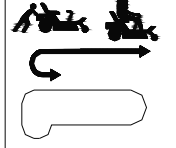
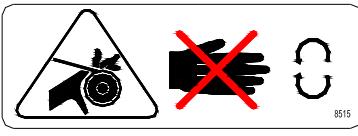
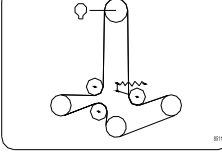
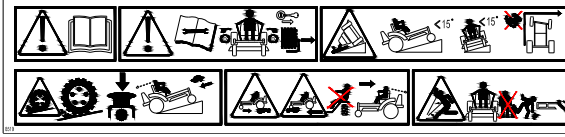




WORLDLAWN®

Fuel Tank Assembly



Ref	P/N	Description	46XS	50XL	60XL
72	B93-8	Split Lock Washer M8	x	x	x
73	B97.1-8	Flat Washer M8	x	x	x
198	363413	Fuel Tank Cap	x	x	x
200	533125	Fuel Tank Bushing	x	x	x
202	B8870-16	Hose Clamp 10-16	x	x	x
302	12105-1P68FS-0000	Flexible Clamp	x	x	x
350	823374	Fender	x	x	x
351	822153	Fuel Tank ASM	x	x	x
352	593370	vent valve	x	x	x
353	363412	seal ring	x	x	x
354	5000152A	Control Panel	x	x	x
355	5000140	Fuel Line (Φ8.5×2)	x	x	x
357	B861.1-5	Washer	x	x	x
358	5000129	Bolt 10-24UNC×1/2	x	x	x
359	393044	SHUT-OFF	x	x	x

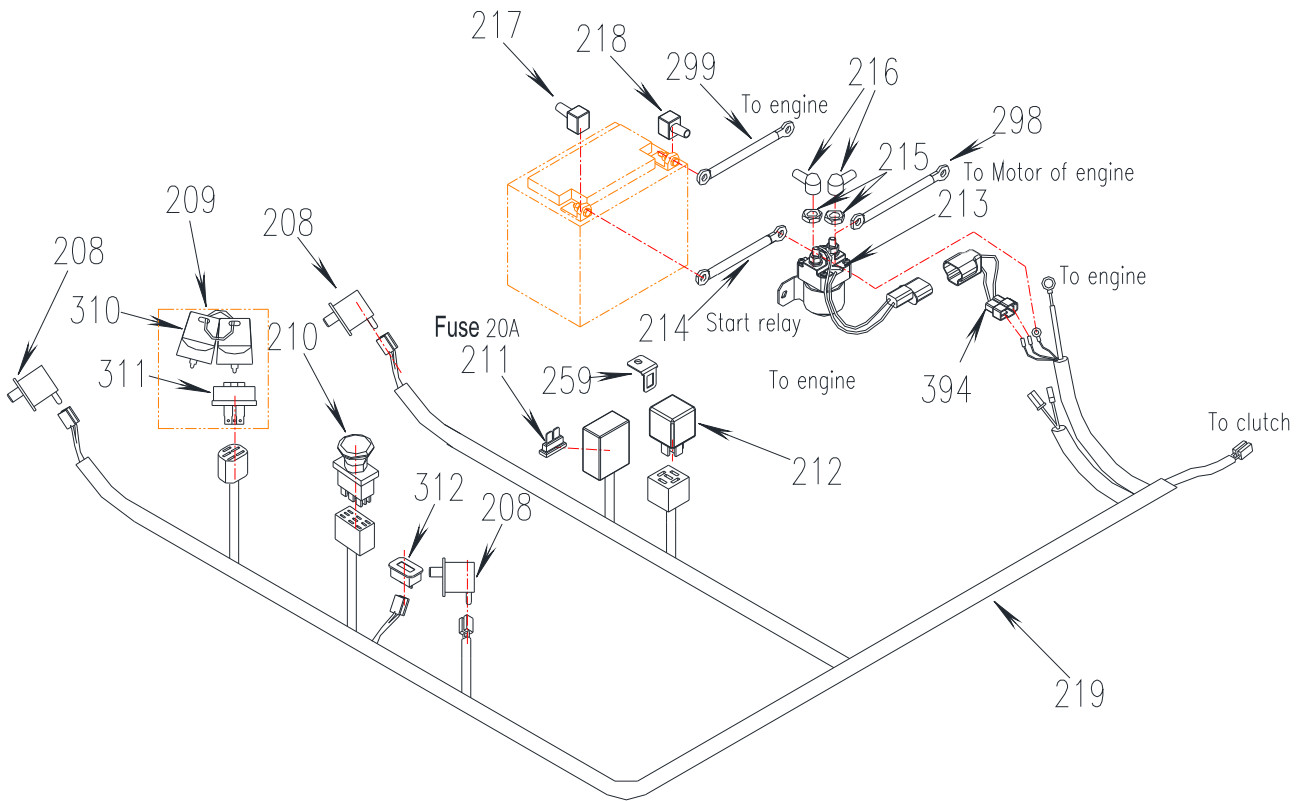
Ref	P/N	Description	46XS	50XL	60XL
360	5000144	Fuel Line		x	x
	5000141	Fuel Line	x	x	x
361	5000130	Adaptor	x	x	x
362	3307041	Clamp	x	x	x
363	5000142	Fuel Line	x	x	x
	5000143	Fuel Line		x	x
364	823373	Fuel Tank	x	x	x
365	100271	Bolt 5/16-UNC×3/4	x	x	x
384	4806020	Chock Cable	x	x	x
385	2806005	Throttle Control ASM	x	x	x
387	B5783-616	Bolt M6× 16	x	x	x
388	B97.1-6	Flat Washer M6	x	x	x
390	5002438	Carbon canister	x	x	x
391	5000145	Pipe	x	x	x
121	B801-616	Bolt M6× 16	x	x	x
124	B6182-6	Nut M6	x	x	x

 <p>220</p>	 <p>221</p>	<p>FUSE BLOCK 8509</p> <p>222</p>	 <p>8507</p> <p>223</p>	 <p>233</p>	 <p>236</p>
 <p>8510</p> <p>245</p>	<p>60</p> <p>227</p>	 <p>229</p>	 <p>8517</p> <p>228</p>	 <p>230</p>	
 <p>8515</p> <p>238</p>		 <p>241</p>	<p>46</p> <p>8513</p> <p>232</p>		
<p>50</p> <p>8511</p> <p>240</p>	 <p>235</p>		<p>CAUTION</p> <p>DO NOT OPERATE WITHOUT DISCHARGE DEFLECTOR, ENTIRE GRASS COLLECTION SYSTEM, OR MULCH KIT IN PLACE. DO NOT REMOVE GRASS CATCHER UNTIL BLADES HAVE STOPPED.</p> <p>234</p>		
 <p>224</p>	<p>WORLDLAWN POWER EQUIPMENT, INC</p> <p>MODLE NO:</p> <p>SERIAL NO:</p> <p>MADE IN CHANA</p> <p>231</p>		 <p>248</p>		
<p>CAUTION</p> <ul style="list-style-type: none"> Loose or Damaged Blade Bolt may allow blade to come out from under deck at HIGH SPEED. Replace Blade Bolt after striking a foreign object. Torque Blade Bolt to 115-120 FT-LBS(158-163N m). <p>SEE OPERATOR'S MANUAL</p> <p>242</p>	<p>DANGER</p> <p>COVER IS MISSING. DO NOT OPERATE THIS UNIT WHEN COVER IS NOT IN PLACE.</p> <p>243</p>		<p>DANGER</p> <p>To avoid serious injury or death:</p> <ul style="list-style-type: none"> Avoid blades unless engine and blades are stopped.  <p>237</p>		
 <p>244/246/247</p>					

Safety/Operation and Product Decals



Ref	P/N	Description	46XS	50XL	60XL	Ref	P/N	Description	46XS	50XL	60XL
220	8312A	Decal, Ignition	×	×	×	234	8307	Discharge Warning	×	×	×
221	8314	Decal		×	×	235	8519	Operational Warning	×	×	×
222	8509	Fuse Decal	×	×	×	236	8512	Motion Control RH	×	×	×
223	8507	Decal, Throttle		×	×	237	8325	Danger Blades	×	×	×
224	8550B	Viper XL Decal		×	×	238	8515	Rotating Parts	×	×	×
	8550A	Viper Decal	×			239	8501	International Logo	×	×	×
225	8303	Caution Guard	×	×	×	240	8513	Decal 50"		×	
227	8327	Decal 60"			×	241	8511	Deck Belt Routing	×	×	×
228	8517	Cutting Height Locator	×	×	×	242	8308	Shield Warning	×	×	×
229	8603	Transaxle Release LH	×	×	×	243	8305	Danger Foot Plate	×	×	×
230	8604	Transaxle Release RH	×	×	×	244	633236	WORLDLAWN Decal-front beam	×	×	×
231		Serial Number Plate	×	×	×	245	8510	Cutting Height Outer	×	×	×
232	8606	Decal 46"	×			246	463444	WORLDLAWN Decal-seat	×	×	×
233	8508	Motion Control LH	×	×	×	247	463445	WORLDLAWN Decal-Fuel tank	×	×	×
						248	543383	WORLDLOGO-fuel tank	×	×	×



Ref	P/N	Description	46XS	50XL	60XL	Ref	P/N	Description	46XS	50XL	60XL
208	5008003	Plunger Switch	x	x	x	218	3312031	Battery Boot (Negative)	x	x	x
209	5208070	Ignition Switch ASM	x	x	x	219	5008021A	Wiring Harness	x	x	x
210	5208022	Blade Control Switch	x	x	x	259	5008012	Bracket of Relay	x	x	x
211	5208007	Fuse 20A	x	x	x	299	5008008	Negative Cable	x	x	x
212	5008011	12V Relay	x	x	x	298	5008006	Wire to Motor	x	x	x
213	463234	Start-up Relay	x	x	x	310	5208072	Ignition key	x	x	x
214	5008004	Positive Cable/Power Wire	x	x	x	312	523283	Hour Meter	x	x	x
215	5008005	Nut 5/16-24UNF	x	x	x	394	5008015	Relay Wire	x	x	x
216	2808107	Relay Cable Cover	x	x	x						
217	3312032	Battery Boot (Positive)	x	x	x						



Worldlawn Power Equipment, Inc.

401 N. Commerce Street Beatrice NE 68310

Phone: (402) 228-4255 Fax: (402) 223-4103

www.worldlawn.com

Form No. 46105-202008