



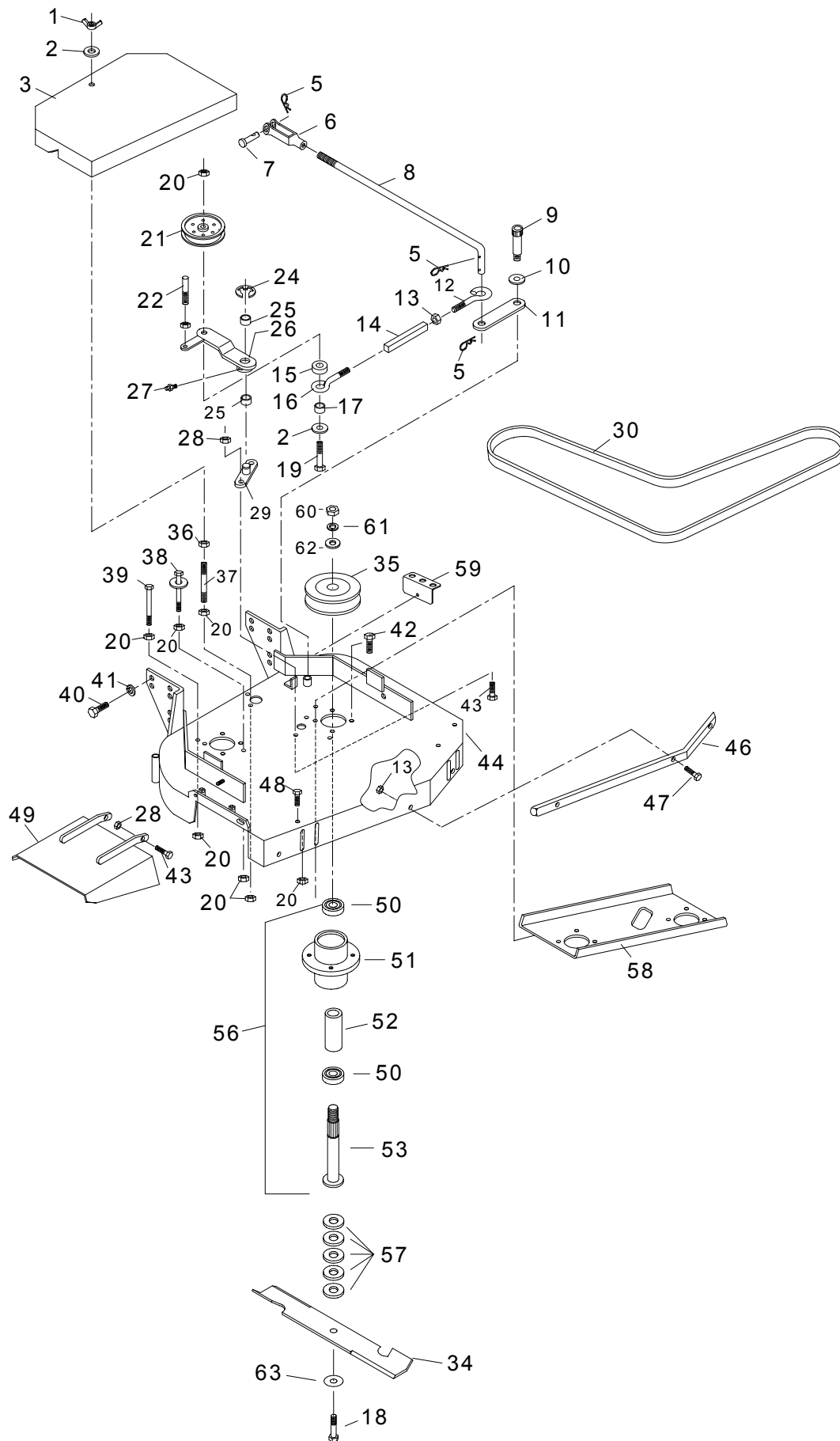
WORLDLAWN®

WY48FS481VH

WY36FS481VH

**PARTS
MANUAL**

36" FRONT DECK ASSEMBLY



HYDRO DRIVE WALK BEHIND 36" FRONT DECK ASSEMBLY

SEE NOTES

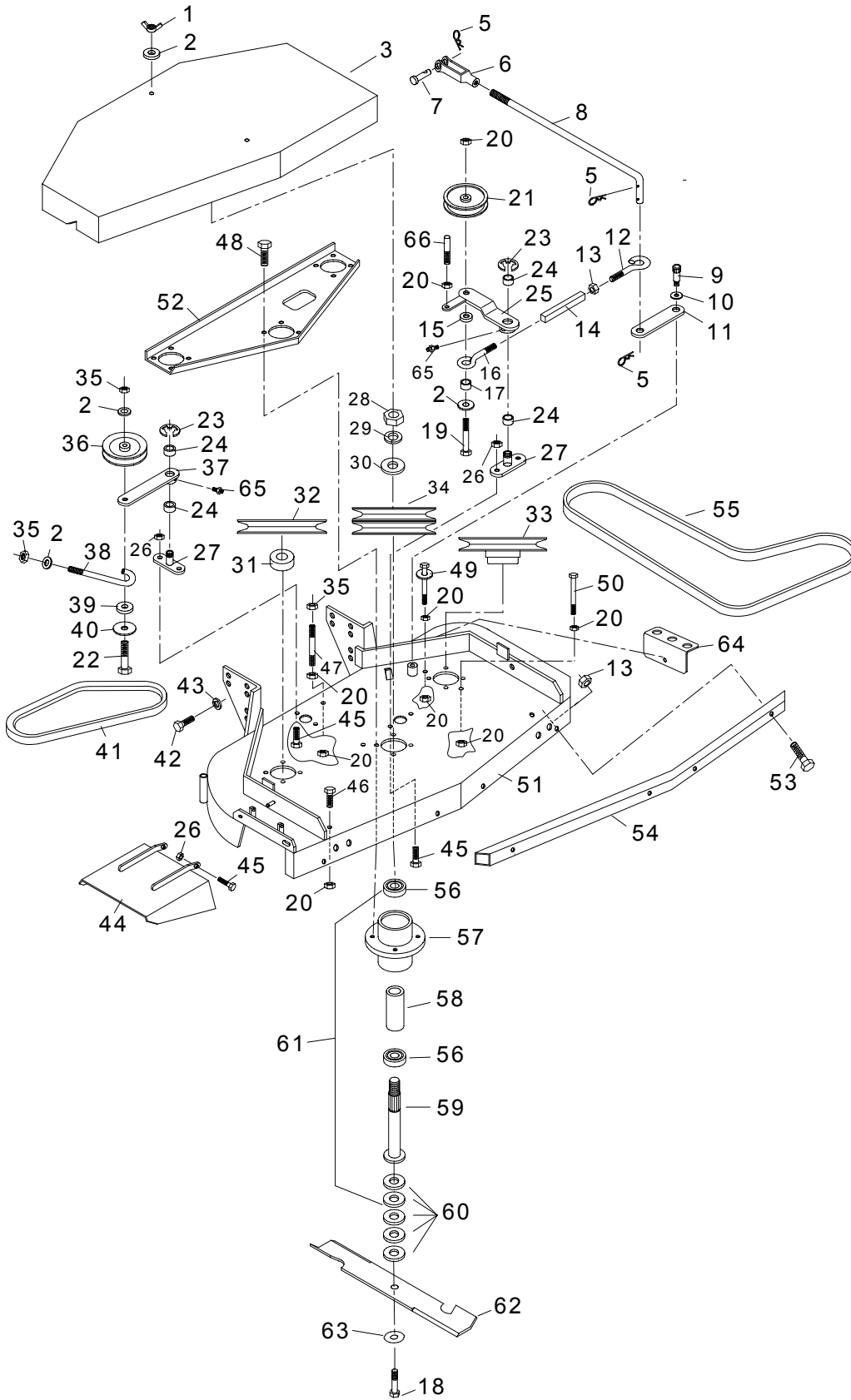
#	PART NO.	QTY	DESCRIPTION
1	103027	3	3/8" WING NUT
2	105260	4	3/8" STD. FLAT WASHER
3	362088	1	BELT COVER
5	363165	3	HAIRPIN COTTER
6	363192	1	LARGE YOKE
7	363196	1	CLEVIS PIN
8	363194	1	BLADE DRIVE LINKAGE
9	109014	1	SHOULDER BOLT
10	363240	1	SHOULDER SPACER
11	363085	1	CAM LINK
12	363080	1	RIGHT EYEBOLT
13	109001	4	5/16" WHIZLOCK NUT
14	363172	1	TURNBUCKLE BODY
15	363097	1	TURNBUCKLE SPACER
16	363082	1	LEFT EYEBOLT
17	363174	1	EYEBOLT SPACER
18A	100356	2	5/8"-11 X 1 1/2" HEX BOLT
18B	100358	2	5/8"-11 X 2 1/4" HEX BOLT
19	100298	1	3/8" X 2 1/2" BOLT
20	109007	18	3/8" WHIZLOCK NUT
21	363264	1	ENGAGEMENT IDLER (WF)
22	363249	1	BELT SNUBBER
24	108509	1	"E" RING
25	363089	2	BRONZE BUSHING
26	362071	1	ENGAGEMENT ARM W/BUSHING
27	111004	1	1/4" - 28 ZERK
28	104256	14	5/16" NYLOC HEX NUT
29	362024	1	IDLER PIVOT ASSY.
30	363210	1	BLADE DRIVE BELT
34	363291	2	18" BLADE
35	363378	2	RAISED PULLEY
36	104257	1	3/8" NYLOC HEX NUT
37	363090	2	BELT SHIELD SUPPORT
38	362018	2	FRONT BELT GUIDE
39	100306	2	3/8" X 5" HEX BOLT
40	100309	6	7/16" 1" HEX BOLT
41	105007	6	7/16" LOCK WASHER
42	100274	8	5/16" X 1 1/4" HEX BOLT
43	100273	8	5/16" X 1" HEX BOLT
44	362077	1	36" FRONT DECK

HYDRO DRIVE WALK BEHIND 36" FRONT DECK ASSEMBLY

SEE NOTES

#	PART NO.	QTY	DESCRIPTION
46	363304	1	SQUARE BUMPER
47	100276	3	5/16" X 1 3/4" HEX BOLT
48	100292	6	3/8" X 1" HEX BOLT
49	362012	1	GRASS DEFLECTOR
50	363350	4	SPINDLE BEARING
51	363380	2	BLADE SPINDLE HOUSING
52	583113	2	BEARING SPACER TUBE
53	583112	2	SPINDLE SHAFT
56	363379	2	SPINDLE ASSY COMPLETE
57	363382	10	BLADE SPACER
58	363301	1	36" DECK CHANNEL
59	322019	1	SPACER BRACKET
60	104511	2	3/4"-16 HEX NUT
61	105010	2	3/4" LOCK WASHER
62	105269	2	3/4" S.A.E. FLAT WASHER
63	583108	2	5/8" DISC SPRING WASHER

48" FRONT DECK ASSEMBLY



HYDRO DRIVE WALK BEHIND 48" FRONT DECK ASSEMBLY

SEE NOTES

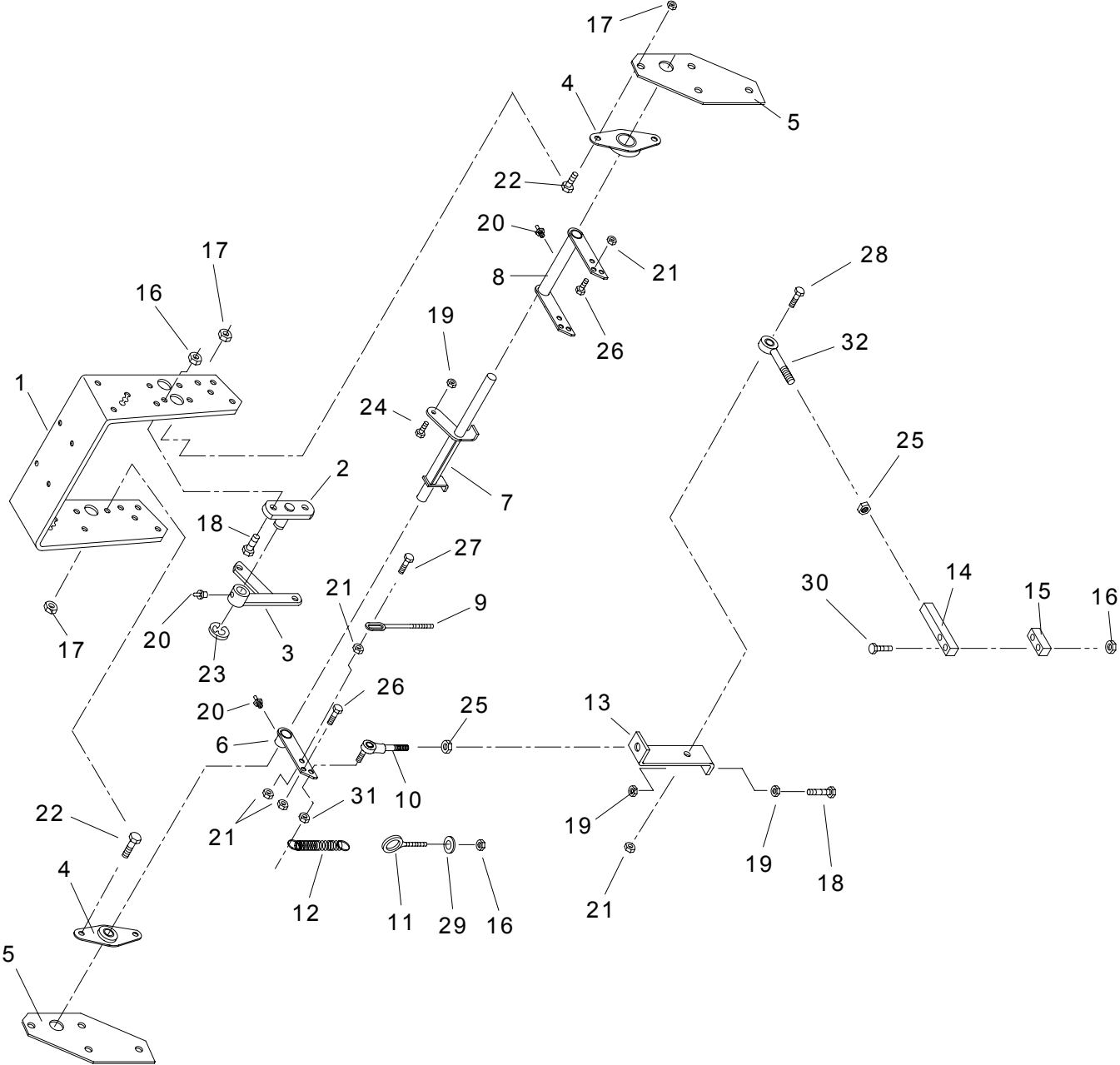
#	PART NO.	QTY	DESCRIPTION
1	103027	3	3/8" WING NUT
2	105260	4	3/8" STD. FLAT WASHER
3	482049	1	BELT COVER
5	363165	3	HAIRPIN COTTER
6	363192	1	LARGE YOKE
7	363196	1	CLEVIS PIN
8	483028	1	BLADE DRIVE LINKAGE
9	109014	1	SHOULDER BOLT
10	363240	1	SHOULDER SPACER
11	363085	1	CAM LINK
12	363080	1	RIGHT EYEBOLT
13	109001	4	5/16" WHIZLOCK NUT
14	363172	1	TURNBUCKLE BODY
15	363097	1	TURNBUCKLE SPACER
16	363082	1	LEFT EYEBOLT
17	363174	1	EYEBOLT SPACER
18A	100356	2	5/8"-11 X 1 1/2" HEX BOLT
18B	100358	2	5/8"-11 X 2 1/4" HEX BOLT
19	100298	1	3/8" X 2 1/2" BOLT
20	109007	18	3/8" WHIZLOCK NUT
21	363264	1	ENGAGEMENT IDLER (WF)
22	100297	1	3/8" x 2 1/4" HEX BOLT
23	108509	1	"E" RING
24	363089	4	BRONZE BUSHING
25	362071	1	ENGAGEMENT ARM W/BUSHING
26	104256	15	5/16" NYLOC HEX NUT
27	362024	2	IDLER PIVOT ASSY.
28	104511	3	3/4"-16 HEX NUT
29	105010	3	3/4" LOCK WASHER
30	105269	3	3/4" S.A.E. FLAT WASHER
31	583110	1	PULLEY SPACER
32	583107	1	PULLEY
33	363378	1	RAISED PULLEY
34	363377	1	DOUBLE PULLEY
35	104257	3	3/8" NYLOC HEX NUT
36	483025	1	RIGHT HAND IDLER PULLEY
37	482005	1	IDLER ARM RIGHT
38	483003	1	BELT TENSION ROD
39	483017	1	RIGHT HAND IDLER SPACER
40	483019	1	RIGHT HAND IDLER WASHER
41	483031	1	RIGHT HAND BLADE BELT
42	100309	6	7/16" X 1" HEX BOLT
43	105007	6	7/16" LOCK WASHER
44	482017	1	GRASS DEFLECTOR

HYDRO DRIVE WALK BEHIND 48" FRONT DECK ASSEMBLY

SEE NOTES

#	PART NO.	QTY	DESCRIPTION
45	100273	8	5/16" X 1" HEX BOLT
46	100292	8	3/8" X 1" HEX BOLT
47	363090	1	BE.T SHIELD SUPPORT
48	100274	12	5/16" X 1 1/4" HEX BOLT
49	362018	1	FRONT BELT GUIDE
50	100306	3	3/8" X 5" HEX BOLT
51	482019	1	48" FRONT DECK
52	482015	1	48" DECK CHANNEL
53	100276	4	5/16" X 1 3/4" HEX BOLT
54	483043	1	SQUARE BUMPER
55	483030	1	BLADE DRIVE BELT
56	363350	6	SPINDLE BEARING
57	363380	3	BLADE SPINDLE HOUSING
58	583113	3	BEARING SPACER TUBE
59	583112	3	SPINDLE SHAFT
60	363382	15	BLADE SPACER
61	363379	3	CUTTER HOUSING ASSY
62	483035	3	16" BLADE
63	583108	3	5/8" DISC SPRING WASHER
64	322019	1	SPACER BRACKET
65	322019	2	1/4" ZERK
66	363249	1	BELT SNUBBER

CONTROL ASSEMBLY

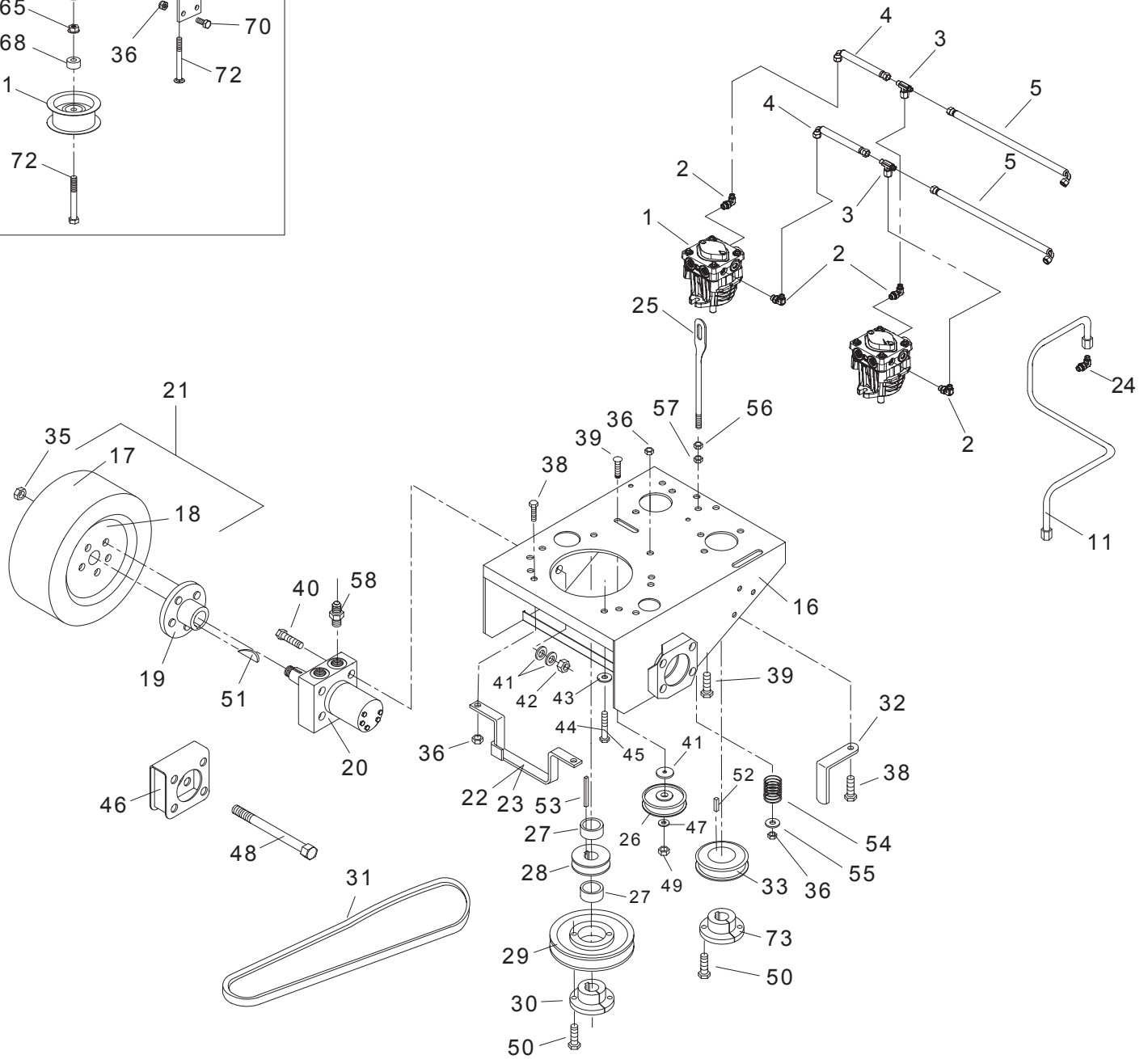
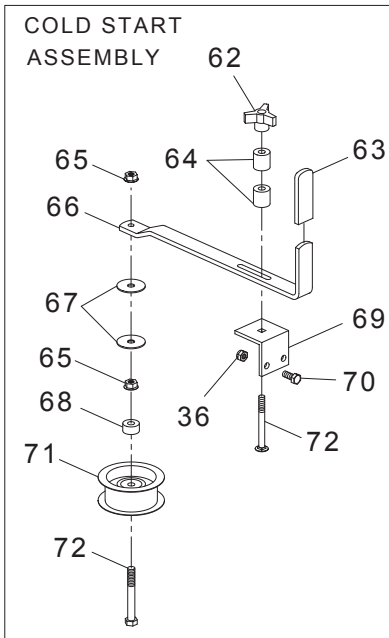


HYDRO WALK BEHIND CONTROL ASSEMBLY

#	PART NO.	QTY	DESCRIPTION
1	363148	1	LOWER HANDLE
2	362033	1	BELL CRANK MOUNT
3	362040	1	BELL CRANK
4	363292	2	FLANGE BEARING
5	453150	2	CONTROL BEARING MOUNT
6	452028	1	RIGHT CONTROL W/ZERK
7	452018	1	CAM WELDMENT
8	452027	1	LEFT CONTROL W/ZERK
9	453080	2	STOP ROD
10	423160	2	MALE ROD END
11	453130	2	1/4" EYE BOLT
12	363117	2	TENSION SPRING
13	453148	2	THREADED PUMP LINK
14	453092	2	PUMP CONTROL BAR
15	453090	2	CLAMP BAR
16	104255	8	1/4"-20 NYLOC HEX NUT
17	100292	8	3/8"-16 NYLOC HEX NUT
18	100004	4	1/4"-20 X 1" HEX BOLT
19	109000	5	1/4"-20 WHIZLOC NUT
20	111004	3	1/4"-28 GREASE ZERK
21	109001	10	5/16"-18 WHIZLOCK NUT
22	100292	8	3/8"-16 X 1" HEX BOLT
23	108500	1	5/8" E-RING
24	100255	1	1/4"-20 X 1 1/4" HEX BOLT
25	104752	6	5/16"-24 JAM NUT
26	100274	2	5/16"-18 X 1 1/4" HEX BOLT
27	100275	2	5/16"-18 X 1 1/2" HEX BOLT
28	100273	2	5/16"-18 X 1" HEX BOLT
29	105256	2	1/4" FLAT WASHER
30	100257	4	1/4"-20 X 1 3/4" HEX BOLT
31	104251	2	3/8"-24 NYLOC NUT
32	453082	2	.312 ROD END (MALE)

NOTES:

REAR DECK ASSEMBLY



HYDRO WALK BEHIND REAR DECK ASSEMBLY

SEE NOTES

#	PART NO.	QTY	DESCRIPTION
1	453166	2	BDP-10A PUMP
2	453074	4	90 DEGREE ADAPTER
3	453106	2	SWIVEL TEE
4	453127	2	PUMP TO PUMP FEED LINE
5	453168	2	PUMP TO PUMP FEED LINE
11	453118	1	RIGHT HAND INSIDE LINE
11	453119	1	RIGHT HAND OUTSIDE LINE
11	453120	1	LEFT HAND INSIDE LINE
11	453121	1	LEFT HAND OUTSIDE LINE
16	452002	1	HYDRO REAR DECK
17	453066	2	TIRE 16-6.50 X 8
18	453067	2	RIM W/VALVE STEM
19	453064	2	WHEEL HUB
20	453068	2	WHEEL MOTOR
21	453065	2	RIM & TIRE COMPLETE
22	362031	1	BELT GUIDE BRKT (36" DECK)
23	482003	1	BELT GUIDE BRKT (48" DECK)
24	453167	4	PUMP ELBOW
25	453080	2	STOP ROD
26	363169	1	SMALL IDLER
27	363124	2	SPACER
28	453071	1	PUMP DRIVE PULLEY
29	363216	1	TAPER LOCK SHEAVE
30	363215	1	1" TAPER HUB
31	363212	1	DRIVE BELT
32	523320	1	FLAT BELT GUIDE
33	453161	2	HYDRO PULLEY-TAPER LOCK

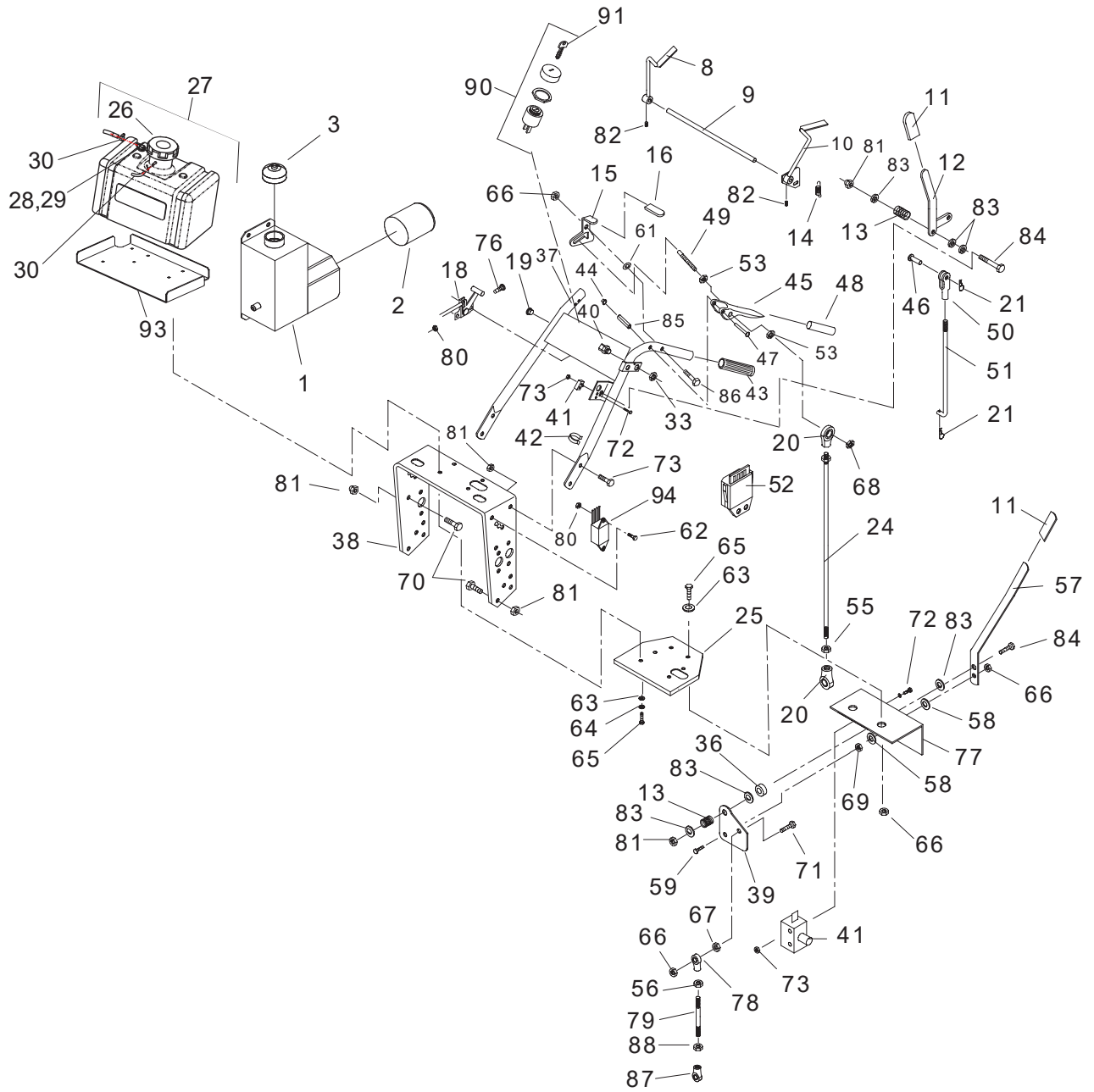
HYDRO WALK BEHIND REAR DECK ASSEMBLY

SEE NOTES

#	PART NO.	QTY	DESCRIPTION
35	103023	10	1/2"-20 HEX LUG NUT
36	104256	4	5/16-18 HEX NYLOC NUT
38	100273	3	5/16"-18 X 1" HEX BOLT
39	100293	4	3/8"-16 X 1 3/4" HEX BOLT
40	100334	8	1/2" X 3 1/2" HEX BOLT
41	105268	17	1/2" FLAT WASHER
42	104261	8	1/2"-13 NYLOC HEX NUT
43	363226	4	SPRING DISC WASHER
44	100275	4	5/16"-18 X 1 1/2" HEX BOLT (BRIGGS)
45	109018	4	8MM-1.25 X 25MM HEX BOLT (KAW)
46	452026	1	MOTOR EXTENSION (48 ONLY)
47	105260	5	3/8" FLAT WASHER
48	100340	1	1/2-13 X 6-1/2 HHCS (48 ONLY)
49	104257	5	3/8"-16 NYLOC HEX NUT
50	105503	6	1/4"-20 X 3/4" HEX BOLT
51	107012	2	#808 WOODRUFF KEY
52	453102	2	PUMP KEY
53	107262	1	1/4" SQ X 2 1/2" KEY
54	373054	2	SPRING
55	483019	2	IDLER WASHER
56	104751	2	5/16"-18 JAM NUT
57	109001	2	5/16"-18 WHIZLOCK NUT
58	453114	4	MOTOR ADAPTER
62	753028	1	KNOB
63	363022	1	ADJUSTMENT LEVER GRIP
64	363041	2	SPACER
65	109007	2	3/8"-16 WHIZLOCK NUT
66	453139	1	COLD START LEVER
67	483019	2	IDLER WASHER
68	483017	1	IDLER SPACER
69	453141	1	COLD START ANGLE
70	107505	1	5/16"-18 X 3/4" HEX BOLT
71	393004	1	PULLEY
72	100030	1	3/8"-16 X 3" HEX BOLT
73	423178	2	TAPER LOCK HUB

NOTES:

HANDLE ASSEMBLY



HYDRO WALK BEHIND HANDLE ASSEMBLY

SEE NOTES

#	PART NO.	QTY	DESCRIPTION
1	423307	1	OIL TANK
2	423361	1	OIL FILTER
3	583406	1	OIL TANK CAP
8	362051	1	RIGHT HAND O.P.C. LEVER
9	363157	1	CONNECTING ROD
10	362053	1	LEFT HAND O.P.C. LEVER
11	363022	2	ADJUSTMENT LEVER GRIP
12	362058	1	ENGAGEMENT LEVER W/GRIP
13	363024	2	COMPRESSION SPRING
14	363155	1	O.P.C. SPRING
15A	452013	1	LEFT THUMB LATCH
15B	452014	1	RIGHT THUMB LATCH
16	363069	2	THUMB LATCH GRIP
18	593043	1	THROTTLE CONTROL
19	363159	2	PLASTIC BUSHING
20	453081	4	ROD END
21	363165	2	HAIRPIN COTTER
24	453086	2	DRIVE LINK
25	453096	1	SPEED CONTROL MOUNT
26	5204019	1	FUEL CAP W/GASKET
27	363410	1	FUEL TANK ASSY EPA
28	363418	1	FUEL SHUT OFF
29	3307023B	1	GROMMET
30	4805008	2	FUEL LINE

HYDRO WALK BEHIND HANDLE ASSEMBLY

SEE NOTES

33		363234		1	NUT - O.P.C. SWITCH	
36		363097		1	SPACER	
37		362085		1	HANDLE ASSEMBLY	
38		363148		1	LOWER HANDLE ASSEMBLY	
39		453098		1	LINK PLATE	
40		363208		1	O.P.C. SWITCH	
41		823193		2	BLADE SWITCH	
42		363221		1	CABLE CLIP	
43		363218		2	HANDLE GRIP	
44		363219		2	PUSH NUT	
45		362059		2	DRIVE LEVER W/GRIP	
46		363144		1	CLEVIS PIN - SMALL	
47		363073		2	DRIVE LEVER PIN	
48		363067		2	DRIVE LEVER GRIP	
49		453084		2	LEVER STUD	
50		363152		1	YOKE - SMALL	
51		363150		1	UPPER CRANK LINKAGE	
52		363372		1	SAFETY MODULE	
53		104751		4	5/16"-18 JAM NUT	
55		104752		4	5/16"-24 JAM NUT	
56		104750		4	1/4"-28 JAM NUT	
57		452006		1	SPEED CONTROL LEVER W/GRIP	
58		453063		2	PLASTIC WASHER	
59		100256		1	1/4"-20 X 1 1/2" HEX BOLT	
61		105500		4	1/4" WAVY WASHER	
62		101039		1	#10-24 X 5/8" SCREW	
63		105256		4	1/4" FLAT WASHER	
64		105004		4	1/4" LOCK WASHER	
65		100004		4	1/4"-20 X 1" HEX BOLT	
66		104255		5	1/.4"-20 NYLOC NUT	
67		109000		1	1/4"-20 WHIZLOCK NUT	
68		104256		4	5/16"-18 NYLOC NUT	
69		109001		1	5/16"-18 WHIZLOCK NUT	
70		100292		6	3/8"-16 X 1" HEX BOLT	
71		100255		1	1/4"-20 X 1 1/4" HEX BOLT	
72		101252		4	#5-40 X 1" SCREW	

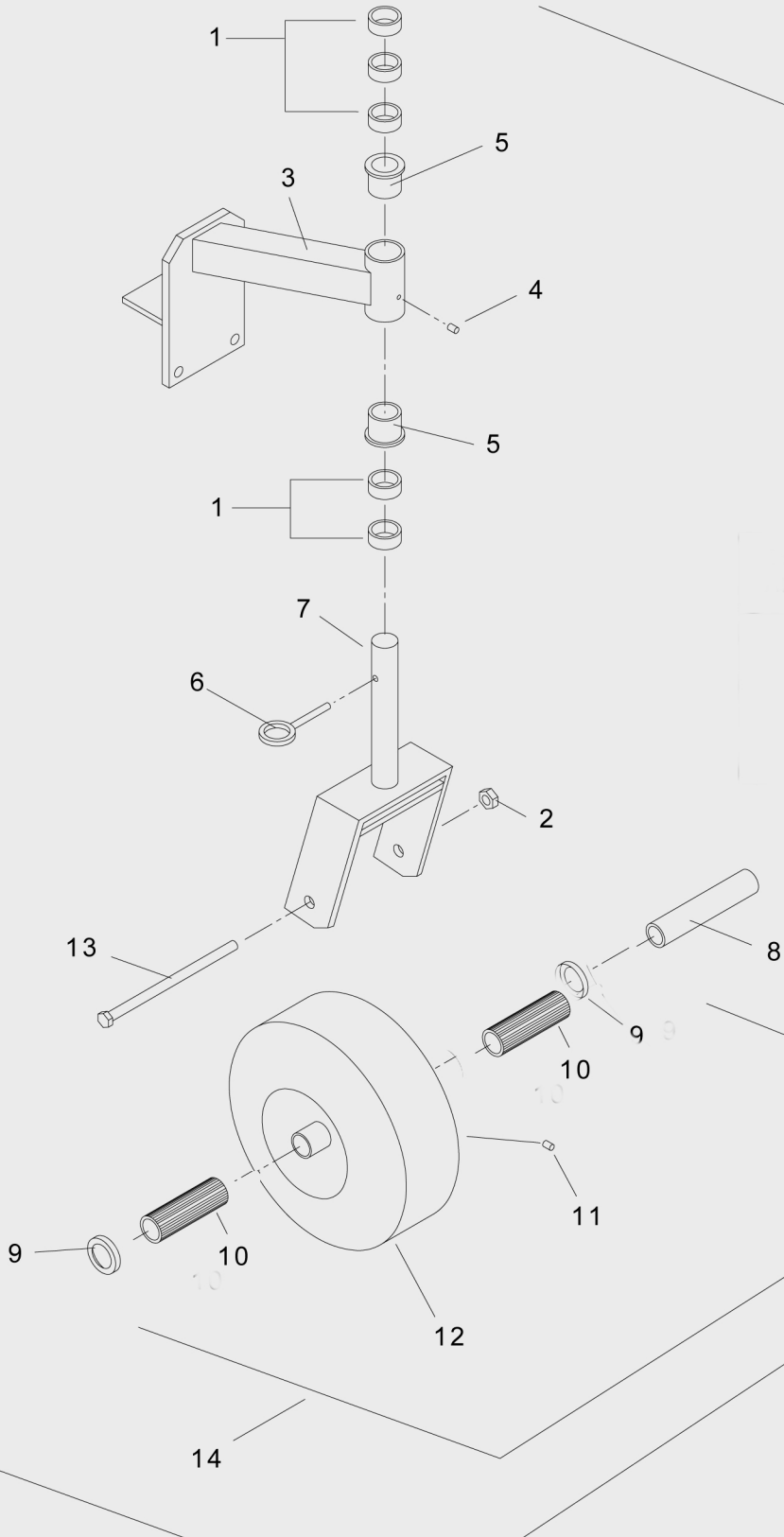
HYDRO WALK BEHIND HANDLE ASSEMBLY

SEE NOTES

73	104520	4	#5-40 REG HEX NUT
76	101295	2	#10-24 X 1-1/2 MACH SCREW
77	453062	1	SPEED CONTROL BRKT
78	453070	1	ROD END - 1/4"
79	453137	1	ADJUSTER LINK - PLATED
80	104252	3	#10-24 HEX NYLOC NUT
81	104257	14	3/8-16 HEX NYLOC NUT
82	103292	2	1/4-28 X 1/4 SETSCREW
83	105260	3	3/8 STD FLAT WASHER
84	100296	1	3/8-16 X 2 HHCS
85	106340	2	5/16 X 1 ROLL PIN PLTD
86	100257	2	1/4-20 X 1-3/4 HHCS
87	453135	1	.25 ROD END-LH THD.
88	103018	1	1/4-28 LH HEX JAM NUT-PLTD YELLOW
90	603060	1	RUN/STOP SWITCH
91	423209	1	IGNITION KEY
93	363360	1	FUEL TANK MT. (PAINTED)
94	453160	1	WIRE HARNESS 17 KAW HYDRO

NOTES:

CASTER ASSEMBLY



HYDRO DRIVE WALK BEHIND CASTER ASSEMBLY

SEE NOTES

#	PART NO.	QTY	DESCRIPTION
1	363006	10	CASTER SPACER
2	104259	2	1/2"-13 NYLOC NUT
3	362007	2	CASTER SUPPORT W/BUSHINGS
4	111001	2	GREASE ZERK
5	363007	4	FLANGE BEARING
6	109020	1	QUICK PIN
7	362081	2	YOKE STRUT
8	363307	2	AXLE TUBE
9	423201	4	END CAP
10	423200	2	ROLLER BEARING
11	111005	2	GREASE ZERK
12	363260	2	SMOOTH TIRE AND TUBE
13	100339	2	1/2"-13 X 6" BOLT
14	363311	2	WHEEL COMPLETE
15	362082	2	CASTER ASSY COMPLETE

NOTES:

WALK BEHIND DECALS

1

CAUTION

1. READ INSTRUCTION MANUAL BEFORE OPERATING EQUIPMENT.
2. BE SURE THE OPERATING CONTROLS ARE LOCKED IN NEUTRAL BEFORE STARTING THE ENGINE.
3. MOWER SHALL NOT BE USED UNLESS ALL GUARDS ARE BOLTED IN PLACE.
4. KEEP FEET, HANDS, & ALL OBJECTS FROM UNDER DECK. KEEP PEOPLE AND PETS AT A SAFE DISTANCE.
5. USE CAUTION ON SLOPES.
6. BEFORE LEAVING OPERATOR'S POSITION:
 - A. LOCK DRIVE LEVERS IN NEUTRAL WITH LATCHES.
 - B. DISENGAGE ATTACHMENT CLUTCH.
 - C. SHUT OFF ENGINE.
7. WHEN ADJUSTING WHEELS BE SURE ENGINE IS OFF.
8. DISCONNECT SPARK PLUG WIRE BEFORE SERVICING OR CLEANING.
9. DO NOT ADD FUEL WHILE ENGINE IS WARM OR RUNNING.

363038

5

WORLDLAWN®

9

ROTATE
↑ CUTTER
↓ BLADES
STOP

2

ENGINE-BLADE SPEED

↑ START
FAST
↓ SLOW
STOP

3

NEUTRAL
LOCK
↓

4

CAUTION

OPERATE MOWER WITH CHUTE DEFLECTOR BOLTED IN PLACE, EXCEPT WHEN USED WITH GRASS CATCHER. DO NOT REMOVE GRASS CATCHER UNTIL BLADE OR BLADES HAVE STOPPED.

363001

6

DANGER

KEEP HANDS and FEET AWAY



7



8

STOP SLOW FAST



11

OIL

SAE 15w 50
SYNTHETIC
ENGINE OIL
ONLY

12

48

13

36

14

HYDRO WALK BEHIND DECALS

#	PART NO.	QTY	DESCRIPTION
2	363037	1	Cutter Blade Label
3	363039	1	Throttle Decal
4	363040	2	Neutral Lock Decal
5	363038	1	Caution/Instr. Label
6	363001	1	Caution Decal
7	363023	1	Danger Decal
8A	543291	2	Worldlawn Logo, Small
8B	363405	1	Worldlawn Logo, Large
9A	363427	1	Worldlawn Decal, Small
9B	363428	1	Worldlawn Decal, Large
11	453011	1	Ground Speed Label
12	453354	1	Oil Decal
13	8328	1	48" Decal
14	8360	1	36" Decal

Notes:

Notes:

Notes:

