



WORLDLAWN[®]
POWER EQUIPMENT



PARTS MANUAL

**WYS48FX730VX
WYS48FX730VXCA**

**WYS52FX730VX
WYS52FX730VXCA**

**WYS60FX730VX
WYS60FX730VXCA**



WORLDLAWN®
POWER EQUIPMENT

WORLDLAWN POWER EQUIPMENT, INC.

WORLDLAWNPOWEREQUIPMENT.COM

401 COMMERCE STREET

BEATRICE, NE 68310

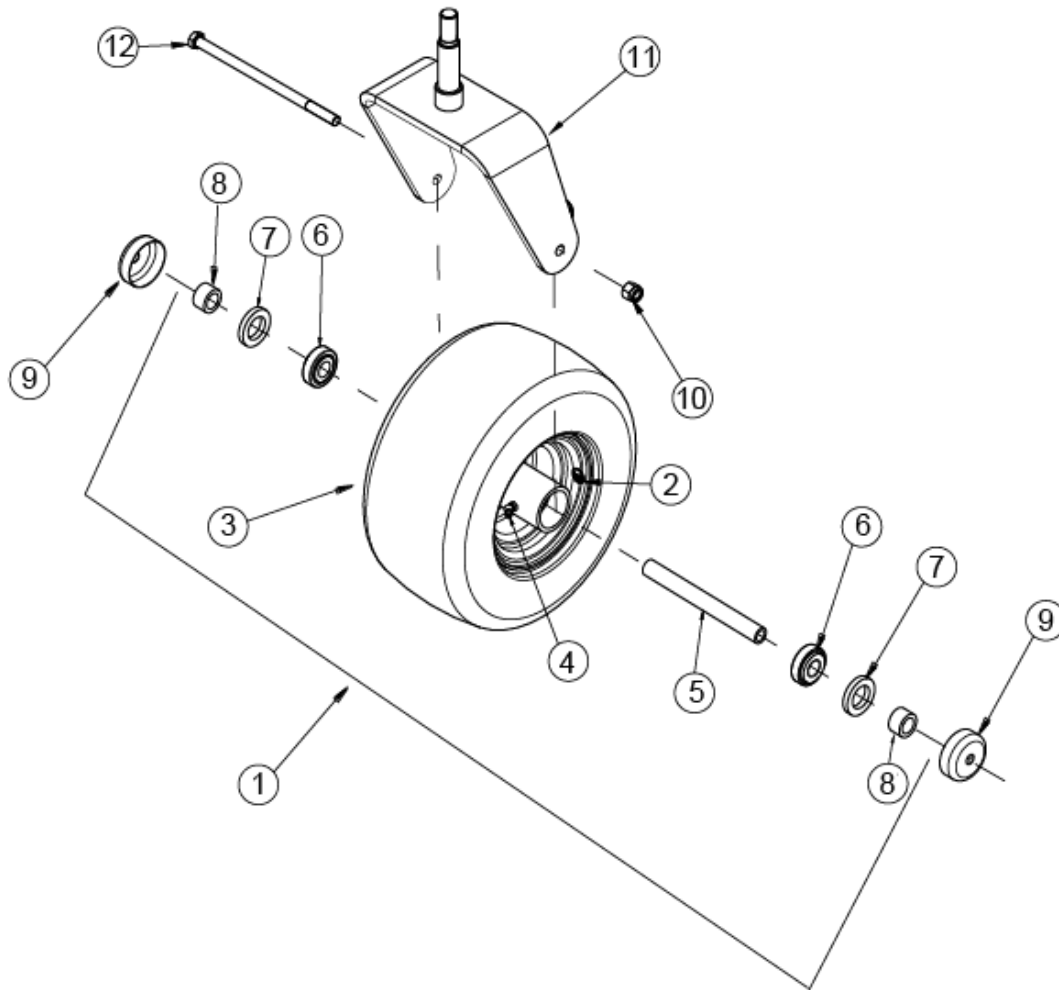
800-267-4255

FAX – 402-223-4103

Contents

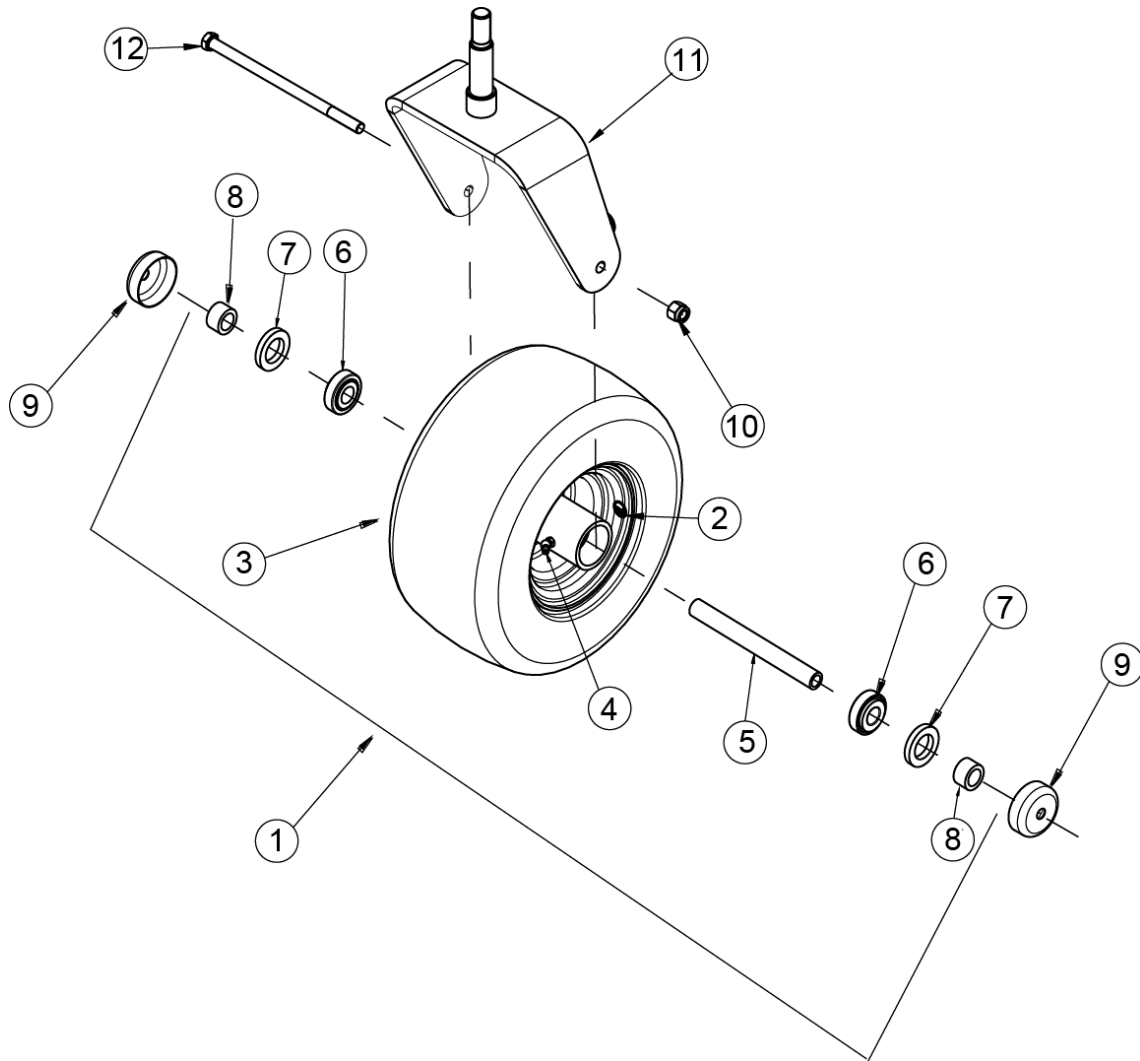
| | |
|---------------------------------------|-----------|
| 48" CASTER ASSEMBLY..... | 7 |
| 52" – 60" CASTER ASSEMBLY..... | 8 |
| CONTROL ASSEMBLY LH..... | 9 |
| CONTROL ASSEMBLY RH..... | 11 |
| UPPER HANDLE ASSEMBLY..... | 13 |
| MAIN FRAME..... | 15 |
| PUMP IDLER ASM..... | 18 |
| UPPER FRAME ASSEMBLY..... | 19 |
| LIFT LEVER ASSEMBLY..... | 22 |
| FLOATING IDLER BAR..... | 23 |
| FLOATING IDLER ASSEMBLY..... | 24 |
| LEG PAD ASSEMBLY..... | 25 |
| FUEL TANK ASSEMBLY..... | 26 |
| 48" DECK ASSEMBLY..... | 27 |
| 52" DECK ASSEMBLY..... | 30 |
| 60" DECK ASSEMBLY..... | 33 |
| DRIVE IDLER ASSEMBLY..... | 36 |
| BLADE SPINDLE ASSEMBLY..... | 37 |
| IDLER PULLEY ARM ASSEMBLY..... | 38 |
| DECK PULLEY ASSEMBLY..... | 40 |
| PARK BRAKE ASSEMBLY..... | 41 |
| ENGINE GROUP..... | 43 |
| DRIVE ASSEMBLY..... | 45 |
| WIRE HARNESS..... | 47 |
| DECAL GROUP..... | 48 |

48" CASTER ASSEMBLY



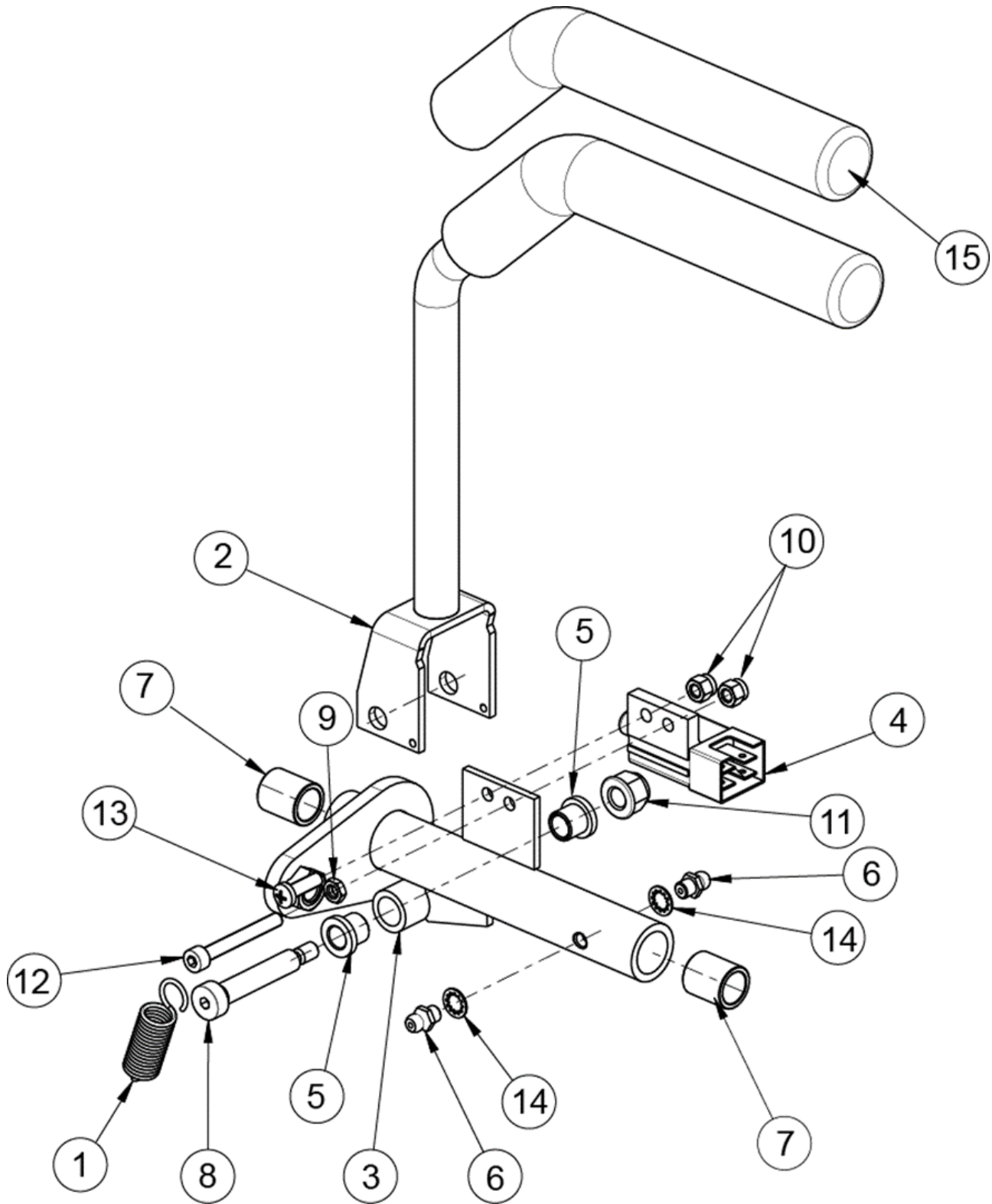
| ITEM | PART NO. | DESCRIPTION |
|------|----------|--|
| 1 | 632068 | ASM, BLK WHEEL COMPLETE 13 X 5.0-6 PNEUMATIC |
| 2 | 453389 | DECAL, FRONT TIRE PRESSURE |
| 3 | 5202039 | TIRE, 13 X 5.0-6 PNEUMATIC |
| 4 | B1153-8 | GREASE FITTING M8X1X45 |
| 5 | 5202038 | BUSHING |
| 6 | 5202037 | BEARING, TAPERED ROLLER |
| 7 | 5202036 | SEAL, LIP |
| 8 | 5202035 | BUSHING |
| 9 | 5202026 | CAP, DUST |
| 10 | B6183-12 | NUT, NYLOC FLANGE M12 |
| 11 | 5202150 | CASTER WHEEL YOKE |
| 12 | 5202029 | SCREW, HH CAP M12 X 185 |

52" – 60" CASTER ASSEMBLY



| ITEM | PART NO. | DESCRIPTION |
|------|----------|------------------------------------|
| 1 | 632041 | ASM, BLK WHEEL COMPLETE W/BEARINGS |
| 2 | 453389 | DECAL, FRONT TIRE PRESSURE |
| 3 | 542007 | TIRE, 13 X 6.5-6 PNEUMATIC |
| 4 | 111009 | ZERK, 45° 1/4-28 |
| 5 | 543230 | TUBE, AXLE |
| 6 | 5202037 | BEARING, TAPERED ROLLER |
| 7 | 5202036 | SEAL, LIP |
| 8 | 5202035 | BUSHING |
| 9 | 5202026 | CAP, DUST |
| 10 | B6182-12 | NUT, NYLOC M12 |
| 11 | 542011-2 | WLD, CASTER FORK 6.5, RED |
| 12 | 543189 | BOLT, M12 X 225 MM |

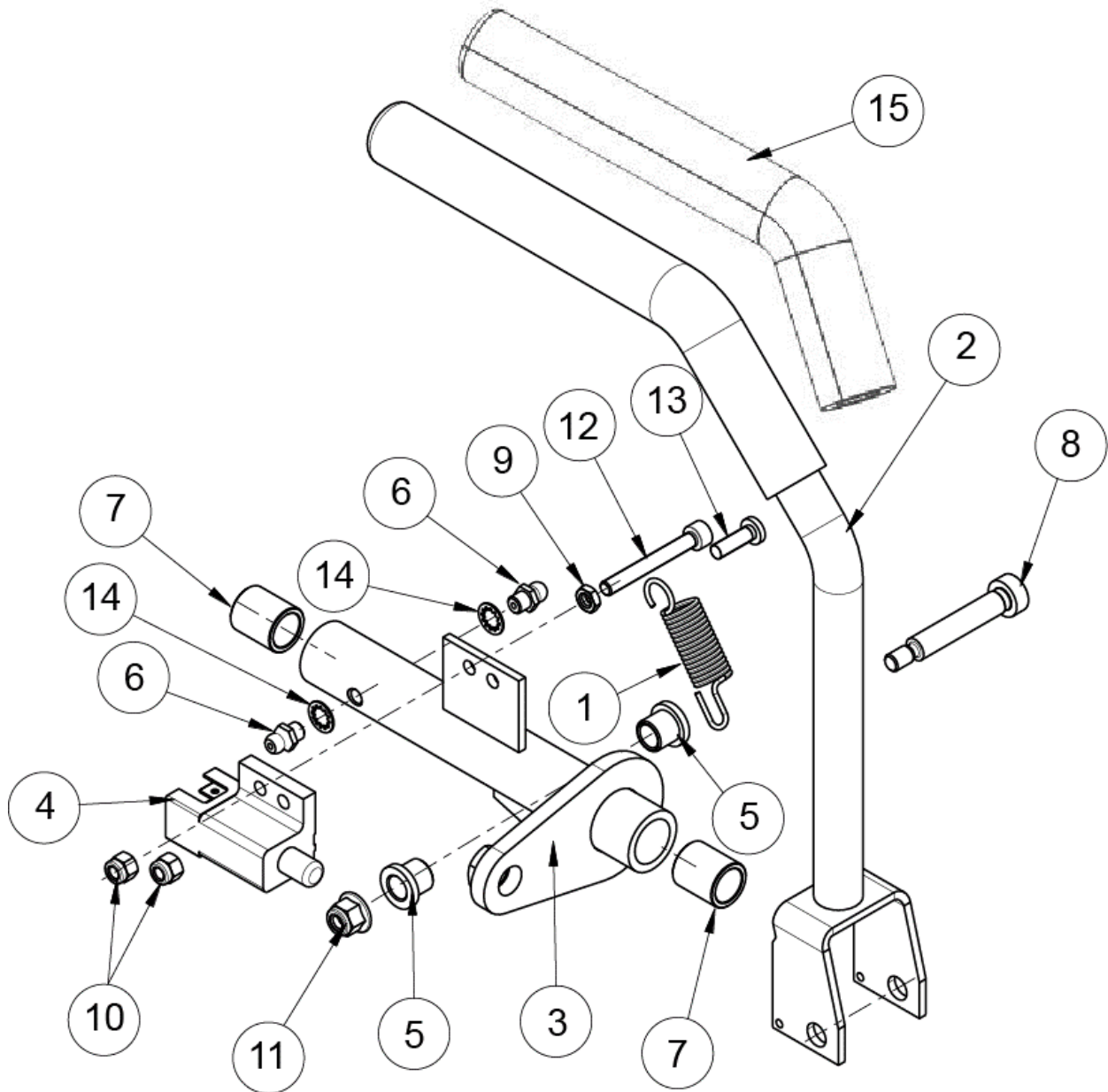
CONTROL ASSEMBLY LH



CONTROL ASSEMBLY LH

| ITEM | PART NO. | DESCRIPTION |
|------|--------------|--------------------------------|
| 1 | 363155 | OPC SPRING |
| 2 | 452081 | HANDLE W/GRIP |
| 3 | 462219 | WLD, 52 LH HANDLE PIVOT |
| 4 | 523034 | PARK SWITCH |
| 5 | 2806010 | NYLON BUSHING |
| 6 | B1152-6 | GREASE FITTING M6 |
| 7 | B2685-121618 | OILITE BRONZE BEARING 12X16X18 |
| 8 | B5281-840 | SHOULDER BOLT |
| 9 | B6172-5 | NUT, JAM M5 |
| 10 | B6182-5 | NUT, NYLOC M5 |
| 11 | B6183-8 | NUT, FLANGED NYLOC M8 |
| 12 | B70-540 | SCREW M5X40 |
| 13 | B823-516 | SCREW M5X16 |
| 14 | B861.1-6 | INT TOOTH LOCKWASHER 6 |
| 15 | 463805 | HANDLE GRIP 215MM |

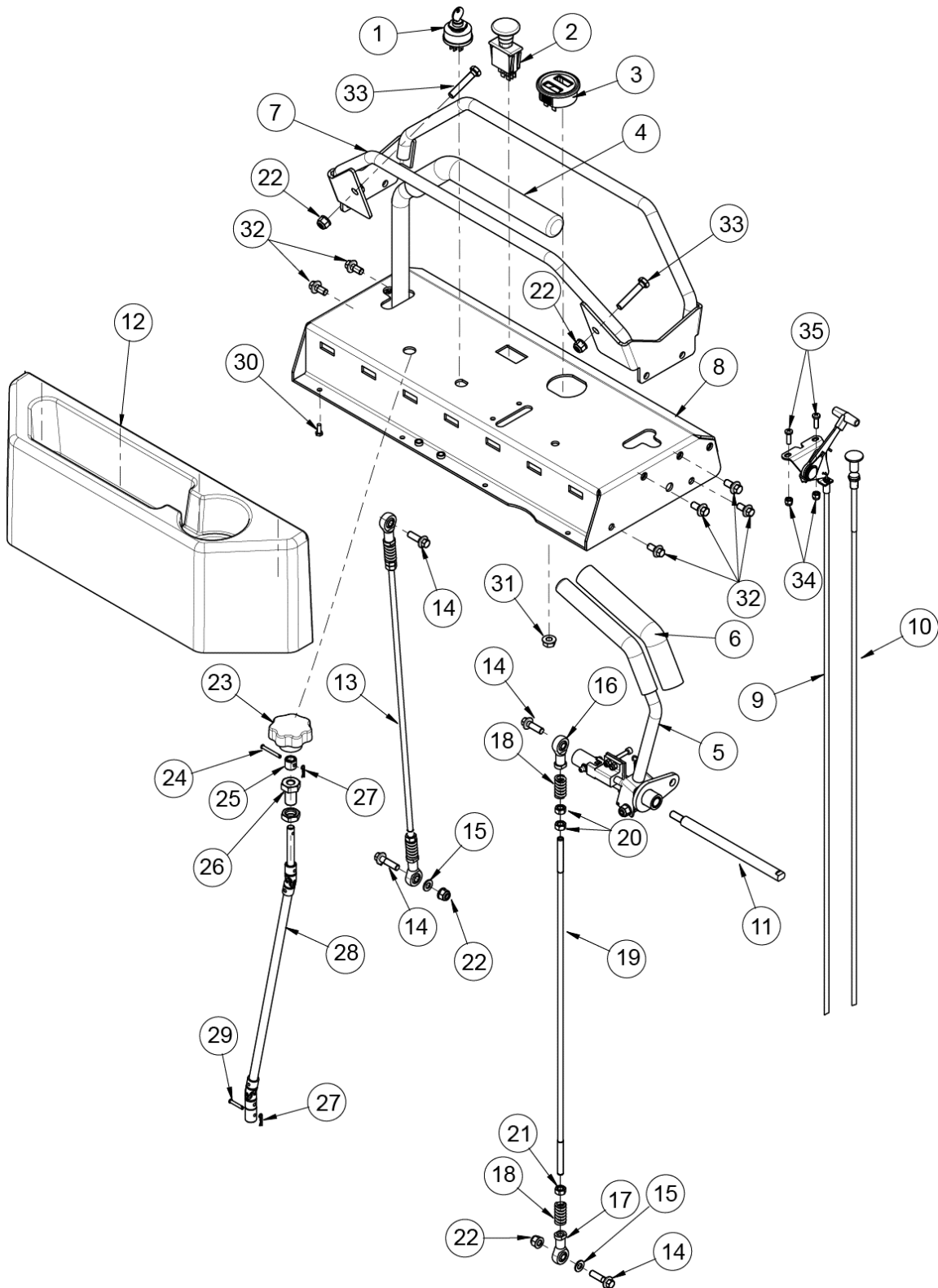
CONTROL ASSEMBLY RH



CONTROL ASSEMBLY – RH

| ITEM | PART NO. | DESCRIPTION |
|------|--------------|--------------------------------|
| 1 | 363155 | OPC SPRING |
| 2 | 452081 | HANDLE W/GRIP |
| 3 | 462220 | WLD, 52 RH HANDLE PIVOT |
| 4 | 523034 | PARK SWITCH |
| 5 | 2806010 | NYLON BUSHING |
| 6 | B1152-6 | GREASE FITTING M6 |
| 7 | B2685-121618 | OILITE BRONZE BEARING 12X16X18 |
| 8 | B5281-840 | SHOULDER BOLT |
| 9 | B6172-5 | NUT, JAM M5 |
| 10 | B6182-5 | NUT, NYLOC M5 |
| 11 | B6183.1-6 | FLANGED LOCKNUT M6 |
| 12 | B70-540 | SCREW M5X40 |
| 13 | B823-516 | SCREW M5X16 |
| 14 | B861.1-6 | INT TOOTH LOCKWASHER 6 |
| 15 | 463805 | HANDLE GRIP 215MM |

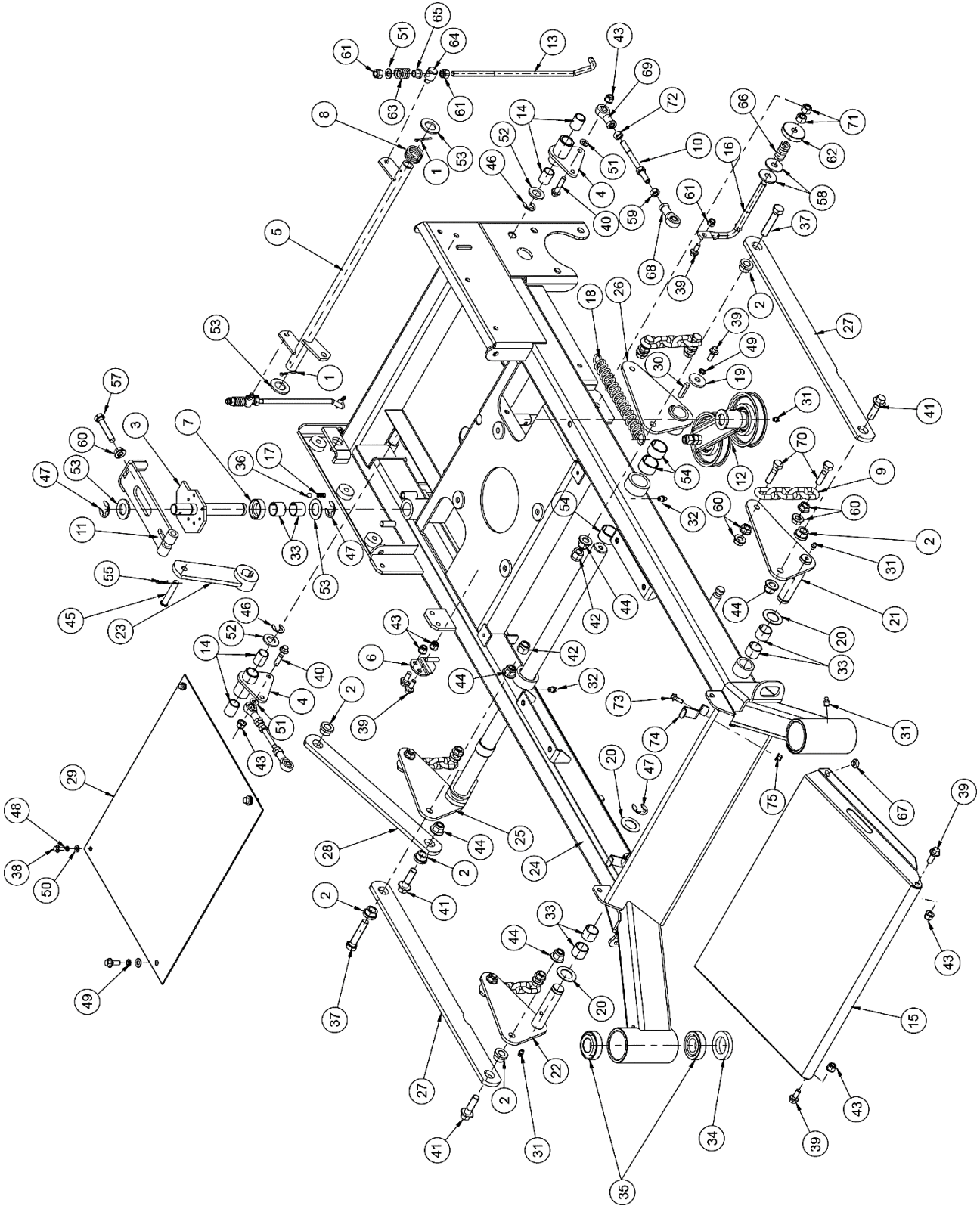
UPPER HANDLE ASSEMBLY



UPPER HANDLE ASSEMBLY

| ITEM | PART NO. | DESCRIPTION |
|------|---------------|-------------------------------------|
| 1 | 423027 | IGNITION SWITCH |
| 2 | 523031 | PTO SWITCH |
| 3 | 463766 | GAUGE, HOUR/FUEL |
| 4 | 464137 | ASM, 52 RH DRIVE HANDLE DETAIL PG 7 |
| 5 | 464136 | ASM, 52 LH DRIVE HANDLE DETAIL PG 9 |
| 6 | 463805 | HANDLE GRIP 215MM |
| 7 | 462253-2 | WLD, REFERENCE BAR |
| 8 | 462278 | WLD, 52 CONTROL PANEL W/DECALS |
| 9 | 463555 | THROTTLE CONTROL - CONSOLE |
| 10 | 463554 | CABLE, CHOKE |
| 11 | 453237 | PIN, CONTROL PIVOT |
| 12 | 463539 | TRAY, UTILITY |
| 13 | 464138 | ASM, 52 SO PUMP ROD |
| 14 | B5787-830 | SCREW, HH FLANGE M8X30 |
| 15 | B97.1-8 | WASHER 8 |
| 16 | 5205016 | ROD END, SPHERICAL M8 RH SIBJK8S |
| 17 | 5205017 | ROD END, SPHERICAL M8 LH SILBJK8S |
| 18 | 5205003 | SPRING, COMPRESSION |
| 19 | 463673 | ROD, 52 SO PUMP CONTROL |
| 20 | B6171-8 | NUT M8 |
| 21 | B6171-8L | NUT M8X1 (LH) |
| 22 | B6183-8 | NUT, FLANGED NYLOC M8 |
| 23 | B7274.4-16063 | KNOB, 16 X 63 |
| 24 | B882-4035B | PIN, 4 X 35 CLEVIS |
| 25 | 463675 | SPACE, FLEXIBLE SHAFT |
| 26 | 463674 | MOUNT, FLEXIBLE SHAFT |
| 27 | 2ZS6-049001 | HAIR PIN COTTER |
| 28 | 462221 | FLEXIBLE DRIVE SHAFT |
| 29 | B882-4024B | PIN, 4 X 24 CLEVIS |
| 30 | 103003 | #10-14 X 1/2 PP PLASTITE |
| 31 | 109008 | 3/8-24 WHIZLOCK NUT |
| 32 | B5787-816 | SCREW, HH FLANGE M8X16 |
| 33 | B5783-845 | BOLT M8X45 |
| 34 | B6182-5 | NUT, NYLOC M5 |
| 35 | B823-516 | SCREW M5X16 |

MAIN FRAME



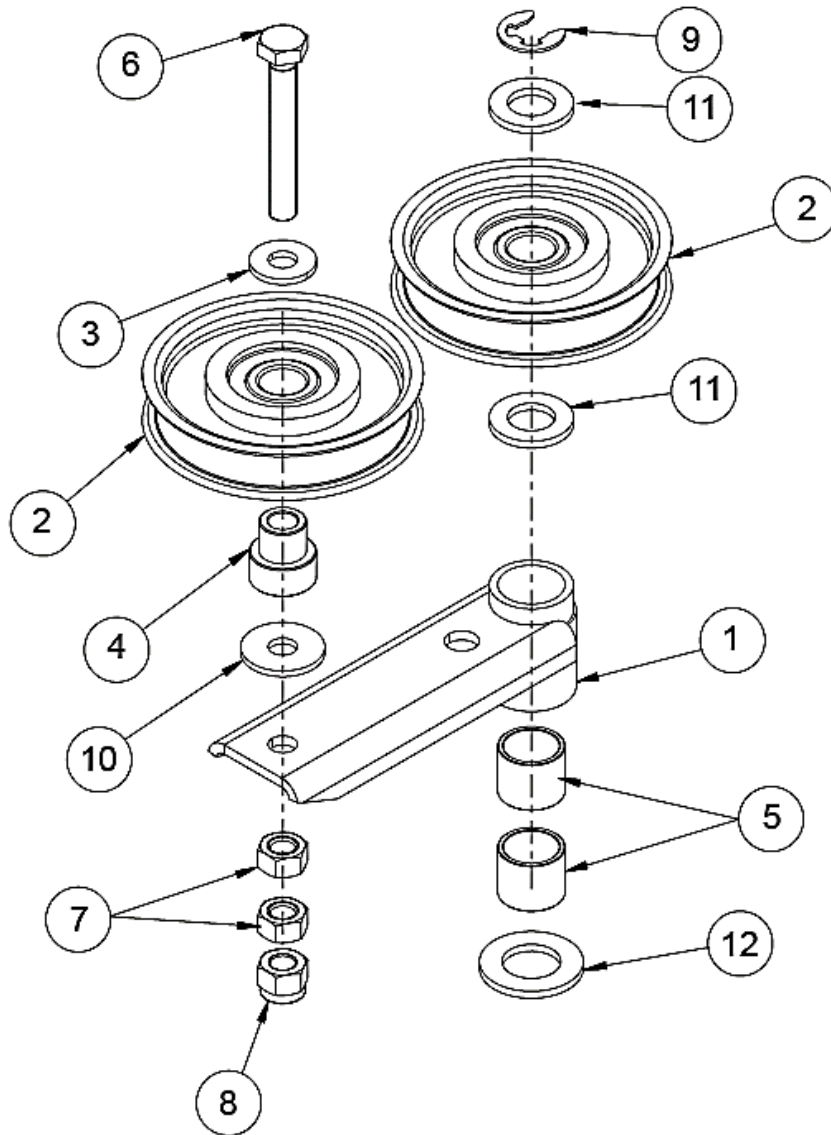
MAIN FRAME

| ITEM | PART NO. | DESCRIPTION |
|------|----------------|---------------------------------------|
| 1 | 106763 | 1/8 X 1-1/4 COTTER PIN |
| 2 | 453288 | BUSHING |
| 3 | 462123 | WLD, LIFT STOP CAM |
| 4 | 462144 | ASM, PUMP CNTL CRANK |
| 5 | 462202 | WLD, BRAKE SHAFT |
| 6 | 462203 | WLD, CLUTCH STOP |
| 7 | 463188 | SPACER, CAM HUB |
| 8 | 463538 | SPRING, TORSION |
| 9 | 463320 | CHAIN, DECK |
| 10 | 462179 | ASM, SHORT PUMP LINK |
| 11 | 464104 | ASM, CAM SLIDE |
| 12 | REFERENCE ONLY | ASM, 52 SO PUMP IDLER DETAIL ON PG 16 |
| 13 | 463629 | LINK, 52 SO BRAKE RH |
| 14 | B2685-162025 | OILITE BRONZE BEARING 16X20X25 |
| 15 | 462273 | PAN, FRONT COVER W/DECALS |
| 16 | 463631 | PIN, REAR TENSION ARM |
| 17 | 2804038 | DETENT SPRING |
| 18 | 543520 | EXTENSION SPRING |
| 19 | 463811 | WASHER, 9 X 32 X 4 |
| 20 | 5202020 | WASHER |
| 21 | 462125-2 | WLD, RH FRONT LIFT CRANK |
| 22 | 462126-2 | WLD, LH FRONT LIFT CRANK |
| 23 | 462282-1 | WLD, HGT STOP ARM |
| 24 | 462274 | WLD, 48/52/60 MAIN FRAME W/DECALS |
| 25 | 462259-2 | WLD, CROSS SHAFT REAR |
| 26 | 462260-2 | WLD, BRACKET REAR |
| 27 | 463625-2 | LINK, LONG LIFT |
| 28 | 463626-2 | LINK, SHORT LIFT |
| 29 | 463762-2 | CENTER COVER |
| 30 | B1096-B832 | KEY 8 X 32 TYPE B |
| 31 | B1152-6 | GREASE FITTING M6 |
| 32 | B1152-8 | GREASE FITTING 8MM |
| 33 | B12613-252220 | BUSHING 25X22X20 |
| 34 | B13871-B32528 | SEAL (F) 32X52X8 |
| 35 | B297-30205 | BEARING 30205 |
| 36 | B308-4 | BALL SR4 |
| 37 | B5783-1260 | SCREW, HH TAP M12 X 60 |
| 38 | B5787-612 | SCREW, FLANGED HH M6 X 12 |
| 39 | B5787-820 | SCREW, HH FLANGE M8X20 |
| 40 | B5787-835 | BOLT, M8 X 35 FLANGE HEAD |
| 41 | B5787-1240 | SCREW, HH FLANGED M12 X 40 |
| 42 | B6182-12 | NUT, NYLOC M12 |
| 43 | B6183-8 | NUT, FLANGED NYLOC M8 |
| 44 | B6183-12 | NUT, NYLOC FLANGE M12 |
| 45 | B882-1055B | PIN, M10 X 55 CLEVIS |
| 46 | B896-12 | SNAP RING 12 |

MAIN FRAME

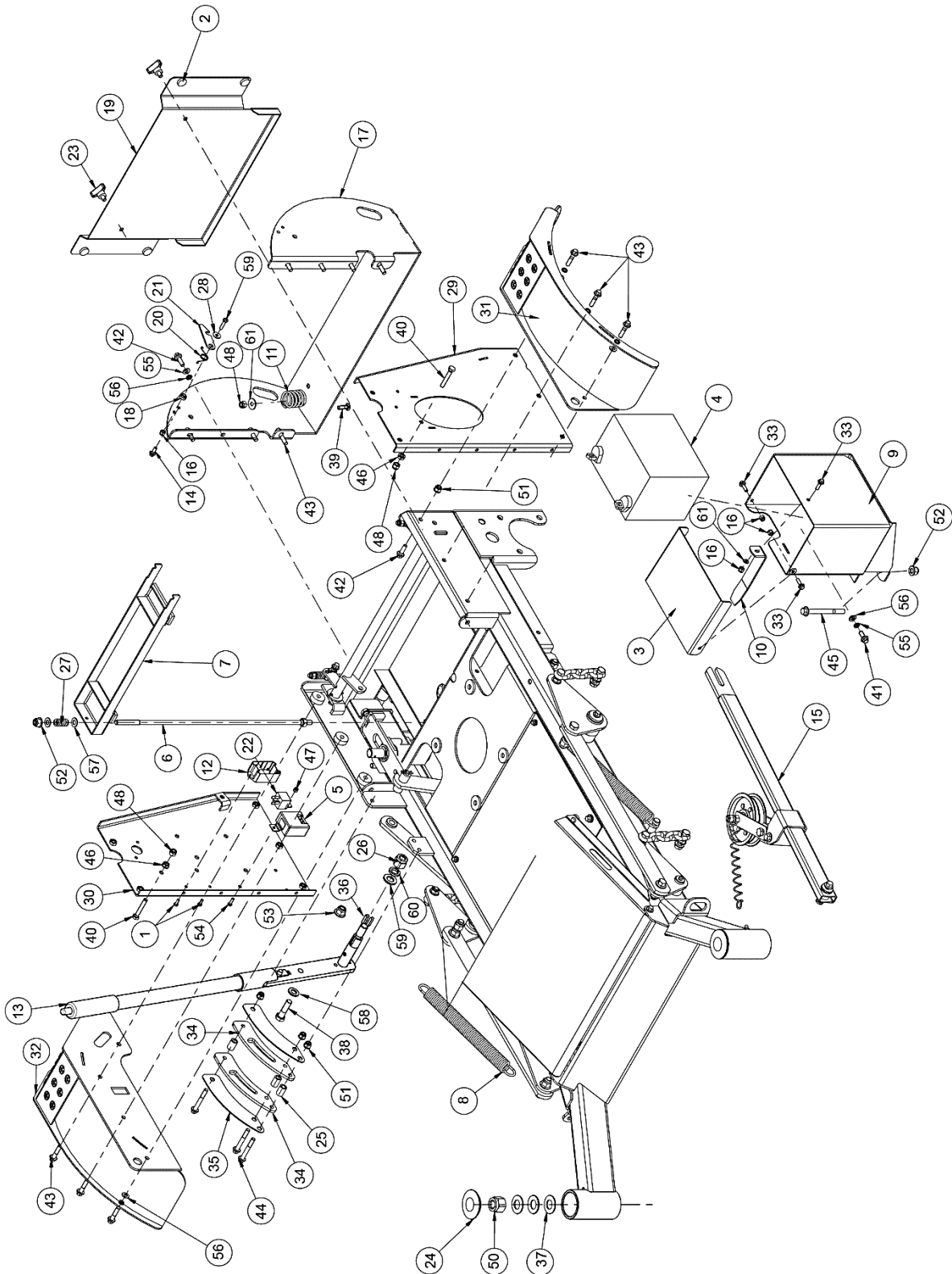
| ITEM | PART NO. | DESCRIPTION |
|------|---------------|-----------------------------------|
| 47 | B896-15 | SNAP RING 15 |
| 48 | B93-6 | LOCKWASHER 6 |
| 49 | B93-8 | LOCKWASHER 8 |
| 50 | B97.1-6 | WASHER 6 |
| 51 | B97.1-8 | WASHER 8 |
| 52 | B97.1-16 | WASHER 16 |
| 53 | B97.1-20 | WASHER 20 |
| 54 | B12613-322820 | BUSHING 32 X 28 X 20 |
| 55 | XSZ56-1-17 | HAIR PIN |
| 56 | B6177-10 | NUT, FLANGED M10 |
| 57 | B5786-1055B | SCREW, HH TAP M10 X 1.25 X 55 |
| 58 | B96-12 | WASHER, FLAT LARGE M12 |
| 59 | B6171-8 | NUT M8 |
| 60 | B6177.2-10 | NUT, SERRATED FLANGE M10 X 1.25MM |
| 61 | B6182-8 | NUT, NYLOC M8 |
| 62 | 463632 | NUT, HAND M12 |
| 63 | 2800017 | COMPRESSION SPRING |
| 64 | 2800020 | BRAKE SWIVEL |
| 65 | 2806010 | NYLON BUSHING |
| 66 | 3332005 | COMPRESSION SPRING |
| 67 | 5203907 | BUMPER, RUBBER |
| 68 | 5205016 | ROD END, SPHERICAL M8 RH SIBJK8S |
| 69 | 5205017 | ROD END, SPHERICAL M8 LH SILBJK8S |
| 70 | B5782-1040 | SCREW, HH M10x40 |
| 71 | B6170-12 | NUT M12 |
| 72 | B6171-8L | NUT M8X1 (LH) |
| 73 | B5787-616 | SCREW, HH FLANGE M6X16 |
| 74 | 463804-2 | STOP, FRONT COVER RED |
| 75 | B6183.1-6 | FLANGED LOCKNUT M6 |

PUMP IDLER ASM



| ITEM | PART NO. | DESCRIPTION |
|------|--------------|---------------------------|
| 1 | 462201 | WLD, 52 SO PUMP IDLER ARM |
| 2 | 462262 | ASM, IDLER 90MM |
| 3 | 3302058 | WASHER 10 |
| 4 | 5002161 | BUSHING |
| 5 | B2685-202420 | BEARING 20X24X20 |
| 6 | B5783-1070 | SCREW, HH TAP M10 X 70 |
| 7 | B6170-10 | NUT M10X1 |
| 8 | B6182-10 | NUT, NYLOC M10 |
| 9 | B896-12 | SNAP RING 12 |
| 10 | B96-10 | WASHER, FLAT LARGE M10 |
| 11 | B97.1-16 | WASHER 16 |
| 12 | B97.1-20 | WASHER 20 |

UPPER FRAME ASSEMBLY



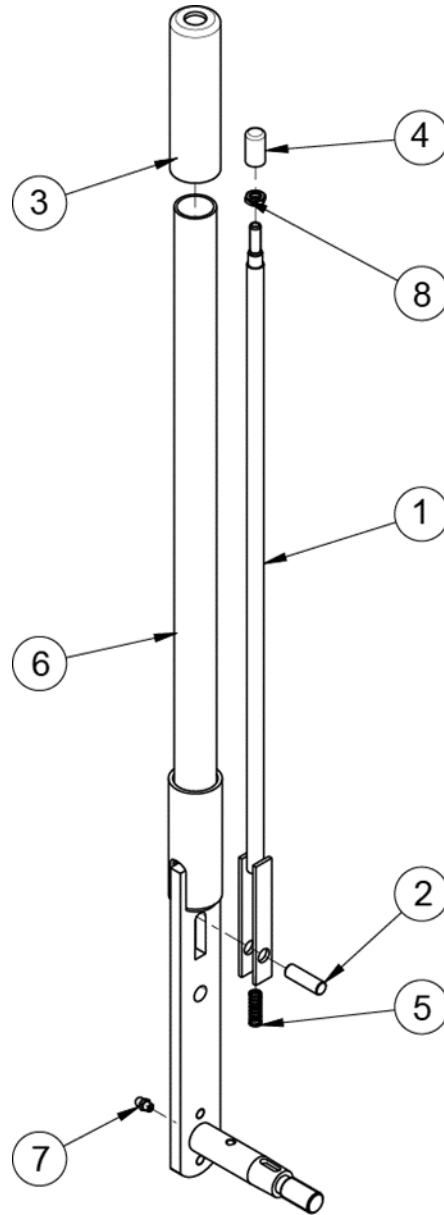
UPPER FRAME ASSEMBLY

| ITEM | PART NO. | DESCRIPTION |
|------|----------------|---|
| 1 | 103003 | #10-14 X 1/2 PP PLASTITE |
| 2 | 5203907 | BUMPER, RUBBER |
| 3 | 463746-2 | CAP, BATTERY BOX |
| 4 | REFERENCE ONLY | BATTERY 12V |
| 5 | 453416 | MODULE, SAFETY |
| 6 | 462208 | WLD, TANK HOLD-DOWN |
| 7 | 462261 | ASM, GAS TANK BRKT |
| 8 | 463521 | SPRING, DECK |
| 9 | 462250-2 | WLD, BATTERY BOX |
| 10 | 463745-2 | CLAMP, BATTERY |
| 11 | 5203044 | SEAT SPRING |
| 12 | 463782 | MODULE, SOFT START |
| 13 | 464187 | ASM, LIFT LEVER |
| 14 | B5787-616 | SCREW, HH FLANGE M6X16 |
| 15 | 464128 | ASM, 52 SO FLOATING IDLER BAR DETAIL ON PG 23 |
| 16 | B6182-6 | NUT, NYLOC M6 |
| 17 | 462213-2 | WLD, FOOT PLATE FRAME |
| 18 | 463211 | BUSHING, LATCH |
| 19 | 463665-2 | PAN, TOE PANEL |
| 20 | 463212 | SPRING, LATCH |
| 21 | 463210-2 | LATCH, FOOT PLATE |
| 22 | 583351 | ELECTRIC LIFT RELAY |
| 23 | 3302190 | KNOB, 3-PRONGED W/STUD |
| 24 | 5202009 | DUST CAP |
| 25 | 5202022 | BUSHING |
| 26 | B6182-16 | NYLOC NUT M16 |
| 27 | 5205003 | SPRING, COMPRESSION |
| 28 | B96-6 | WASHER, FLAT LARGE M6 |
| 29 | 462209-2 | WLD, LH UPPER SIDE |
| 30 | 462210-2 | WLD, RH UPPER SIDE |
| 31 | 462211-2 | WLD, LH FENDER |
| 32 | 462212-2 | WLD, RH FENDER |
| 33 | B5787-620 | HEX FLANGE HD BOLT M6X20 |
| 34 | 463193-2 | PLATE, LOCK |
| 35 | 463194-2 | COVER, LOCK PLATE |
| 36 | B1096-625 | ASM, LIFT LEVER |
| 37 | B1972-A40 | WASHER, SPRING DISC A40 |
| 38 | B5782-1245 | SCREW, HH M12 X 45 |
| 39 | B801-825 | BOLT, CARRIAGE SN M8X25 |
| 40 | B5783-850 | BOLT M8X50 |
| 41 | B5787-820 | SCREW, HH FLANGE M8X20 |
| 42 | B5787-825 | SCREW, HH FLANGE M8x25 |
| 43 | B5787-835 | BOLT, M8 X 35 FLANGE HEAD |
| 44 | B5787-860 | SCREW, HH FLANGED M8 X 60 |
| 45 | B5787-10100 | SCREW, HH FLANGED M10 X 100 |
| 46 | B6177-8 | NUT M8 |

UPPER FRAME ASSEMBLY

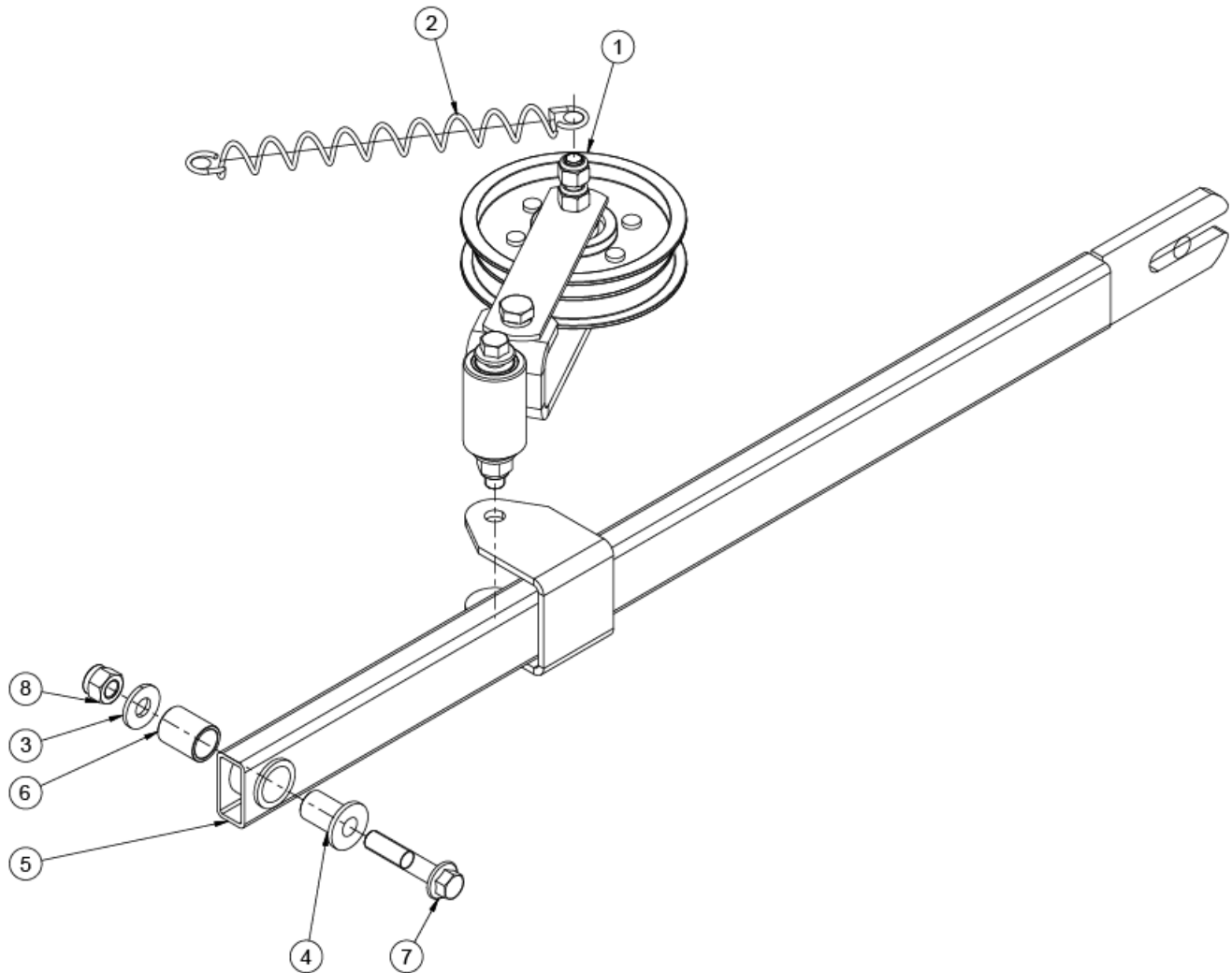
| ITEM | PART NO. | DESCRIPTION |
|------|----------|-----------------------|
| 47 | B6182-5 | NUT, NYLOC M5 |
| 48 | B6182-8 | NUT, NYLOC M8 |
| 49 | B6182-12 | NUT, NYLOC M12 |
| 50 | B6182-20 | NUT, NYLOC M20 |
| 51 | B6183-8 | NUT, FLANGED NYLOC M8 |
| 52 | B6183-10 | NUT, NYLOC FLANGE M10 |
| 53 | B6183-12 | NUT, NYLOC FLANGE M12 |
| 54 | B823-516 | SCREW M5X16 |
| 55 | B93-8 | LOCKWASHER 8 |
| 56 | B97.1-8 | WASHER 8 |
| 57 | B97.1-10 | WASHER, FLAT M10 |
| 58 | B97.1-12 | WASHER 12 |
| 59 | B97.1-16 | WASHER 16 |
| 60 | B93-16 | WASHER 16MM LOCK |

LIFT LEVER ASSEMBLY



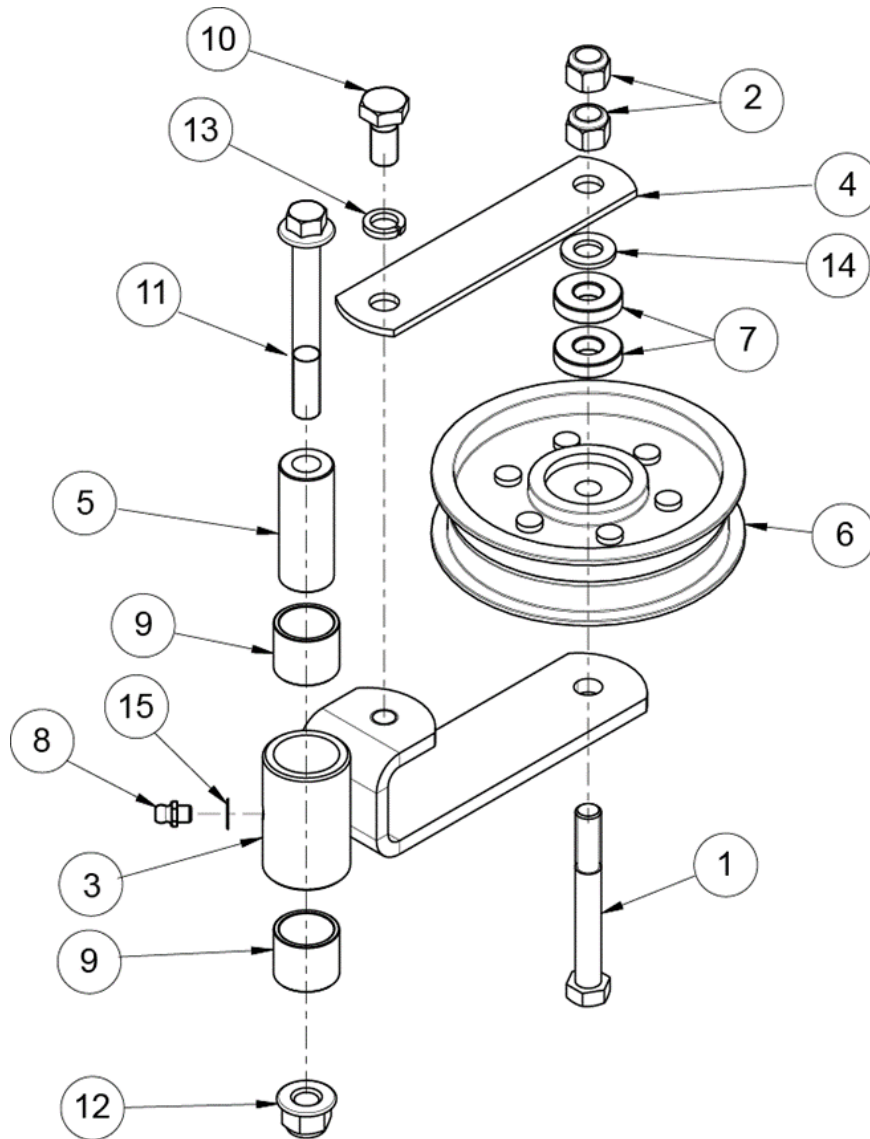
| ITEM | PART NO. | DESCRIPTION |
|------|----------|----------------------|
| 1 | 462128 | WLD, RELEASE ROD |
| 2 | 5202030 | ROLLER |
| 3 | 5202032 | HANDLE GRIP |
| 4 | 5202033 | PUSH BUTTON |
| 5 | 5202034 | COMPRESSION SPRING |
| 6 | 462281-2 | WLD, DECK LIFT LEVER |
| 7 | B1152-6 | GREASE FITTING M6 |
| 8 | B6172-8 | NUT, THIN HEX M8 |

FLOATING IDLER BAR



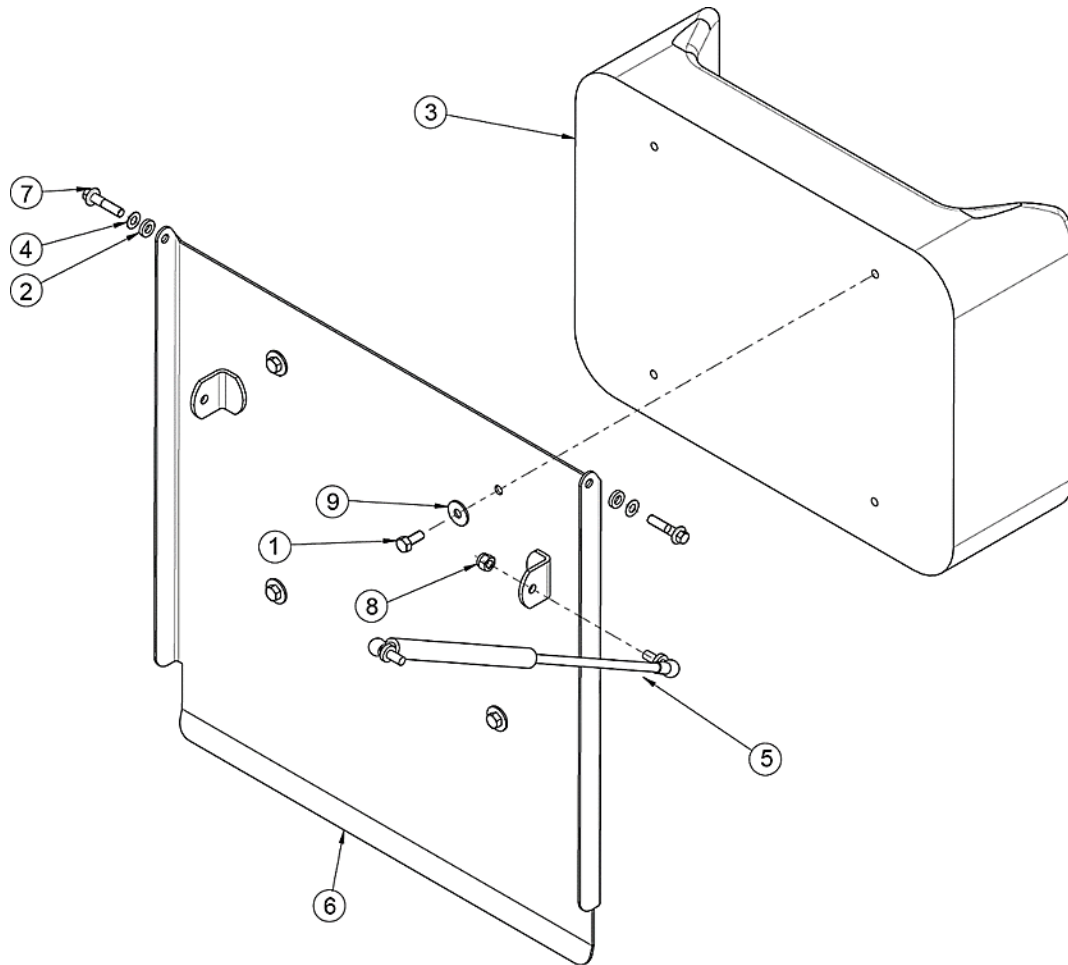
| ITEM | PART NO. | DESCRIPTION |
|------|----------------|---|
| 1 | REFERENCE ONLY | ASM, 52 SO FLOATING IDLER DETAIL ON PG 24 |
| 2 | 463787 | SPRING, TENSION |
| 3 | 3302058 | WASHER 10 |
| 4 | 4201801 | BUSHING |
| 5 | 462204-2 | WLD, FLTG IDLER BAR |
| 6 | B2685-162025 | OILITE BRONZE BEARING 16X20X25 |
| 7 | B5787-1050 | SCREW, HH FLANGED M10 X 50 |
| 8 | B6182-10 | NUT, NYLOC M10 |

FLOATING IDLER ASSEMBLY



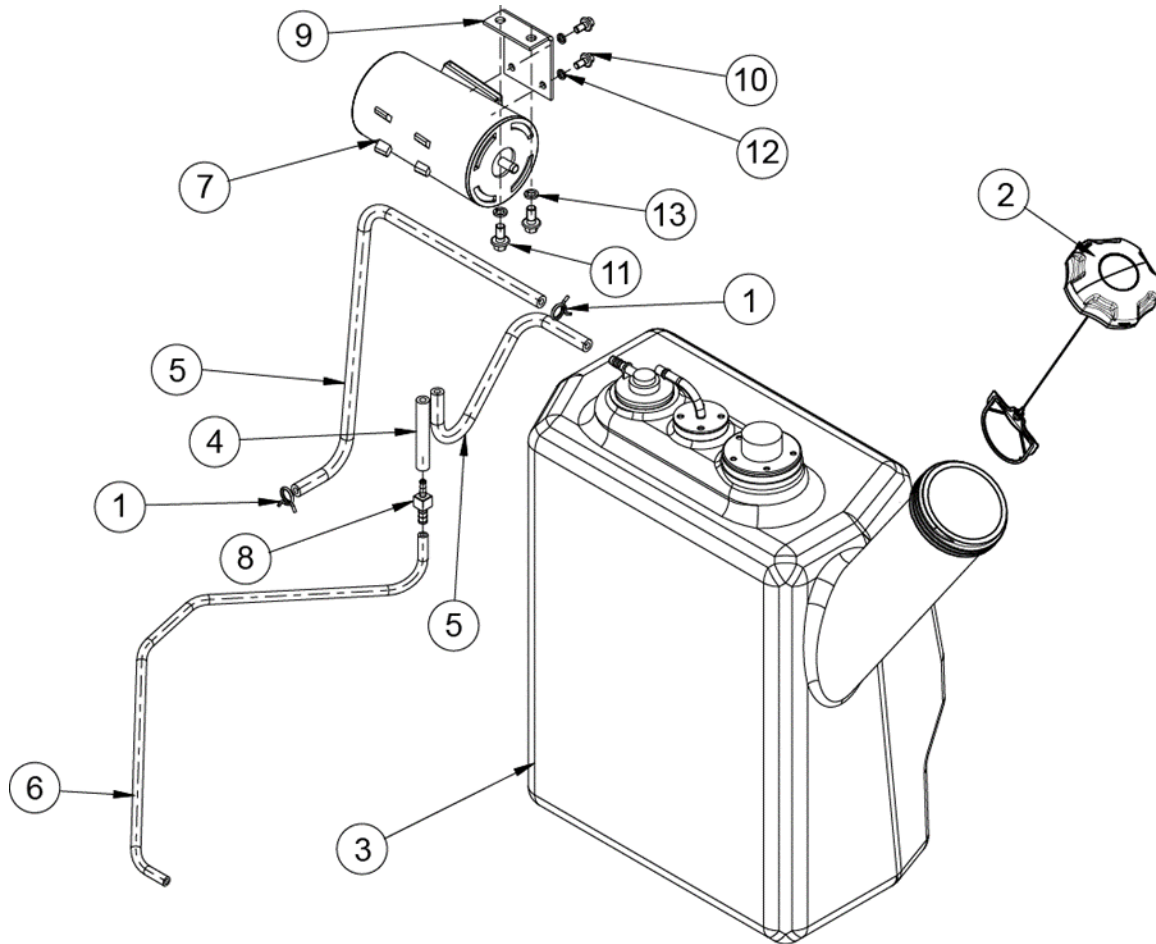
| ITEM | PART NO. | DESCRIPTION |
|------|--------------|-----------------------------|
| 1 | 100030 | 3/8-16 X 3 HHTB |
| 2 | 104257 | 3/8-16 HEX NYLOC NUT |
| 3 | 462196 | WLD, DECK TENSION ARM |
| 4 | 463570 | LINK, DECK TENSION |
| 5 | 463638 | BUSHING, DECK TENSION |
| 6 | 523329 | FLOATING IDLER - FLAT |
| 7 | 5002164 | PADDING BLOCK |
| 8 | B1152-6 | GREASE FITTING M6 |
| 9 | B2685-202420 | BEARING 20X24X20 |
| 10 | B5783-1020 | SCREW, HH TAP M10 X 20 |
| 11 | B5787-1080 | SCREW, FLANGE HEAD M10 X 80 |
| 12 | B6183-10 | NUT, NYLOC FLANGE M10 |
| 13 | B93-10 | SPLIT LOCK WASHER M10 |
| 14 | B97.1-10 | WASHER, FLAT M10 |
| 15 | B861.1-16 | INT TOOTH LOCKWASHER 6 |

LEG PAD ASSEMBLY



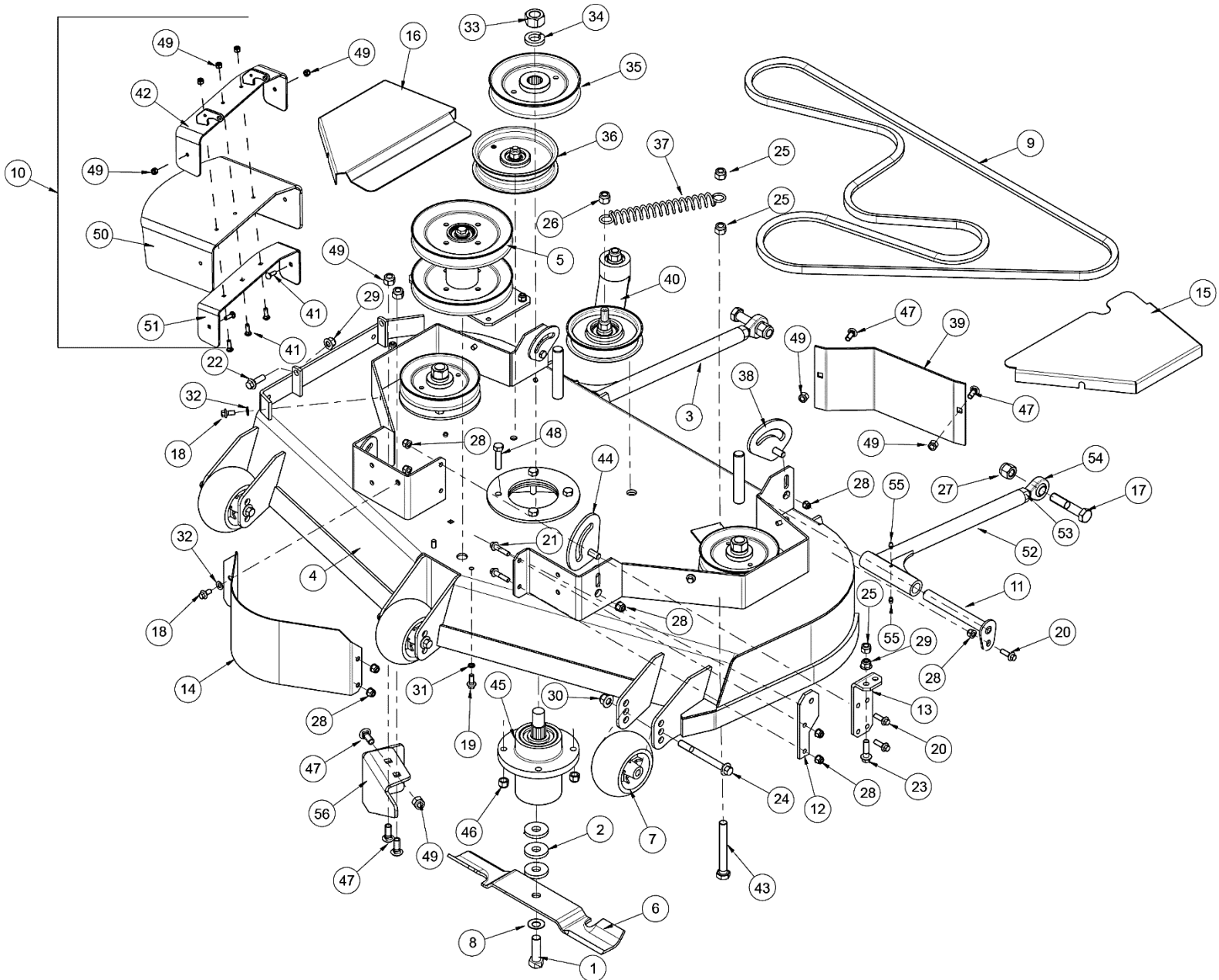
| ITEM | PART NO. | DESCRIPTION |
|------|-----------|---------------------------|
| 1 | 100271 | 5/16-18 X 3/4 HHCS |
| 2 | 253075 | CABLE ANCHOR SPACER |
| 3 | 453379 | CUSHION |
| 4 | 463454 | WASHER, .312 ID WAVEY |
| 5 | 5210107 | DAMPER |
| 6 | 462177-1 | WLD, LEG PAD PAN |
| 7 | B5787-835 | BOLT, M8 X 35 FLANGE HEAD |
| 8 | B6182-8 | NUT, NYLOC M8 |
| 9 | B96-8 | WASHER 8 |

FUEL TANK ASSEMBLY



| ITEM | PART NO. | DESCRIPTION |
|------|-----------|---------------------------|
| 1 | 363098 | CLAMP, FUEL LINE 1/4 ID |
| 2 | 363413 | FUEL CAP - EPA/CARB |
| 3 | 462217 | ASM, 8 GAL FUEL TANK |
| 4 | 463552 | HOSE, VENT 1/4 X 3" |
| 5 | 463785 | 1/4" FUEL LINE - 14" |
| 6 | 463790 | 3/16 FUEL LINE - 22" |
| 7 | 543363 | CANISTER, CARBON 680cc |
| 8 | 5000130 | REDUCER, HOSE 3/16 - 1/4 |
| 9 | 463714-2 | MOUNT, CANISTER |
| 10 | B5787-612 | SCREW, FLANGED HH M6 X 12 |
| 11 | B5787-816 | SCREW, HH FLANGE M8X16 |
| 12 | B93-6 | LOCKWASHER 6 |
| 13 | B93-8 | LOCKWASHER 8 |

48" DECK ASSEMBLY



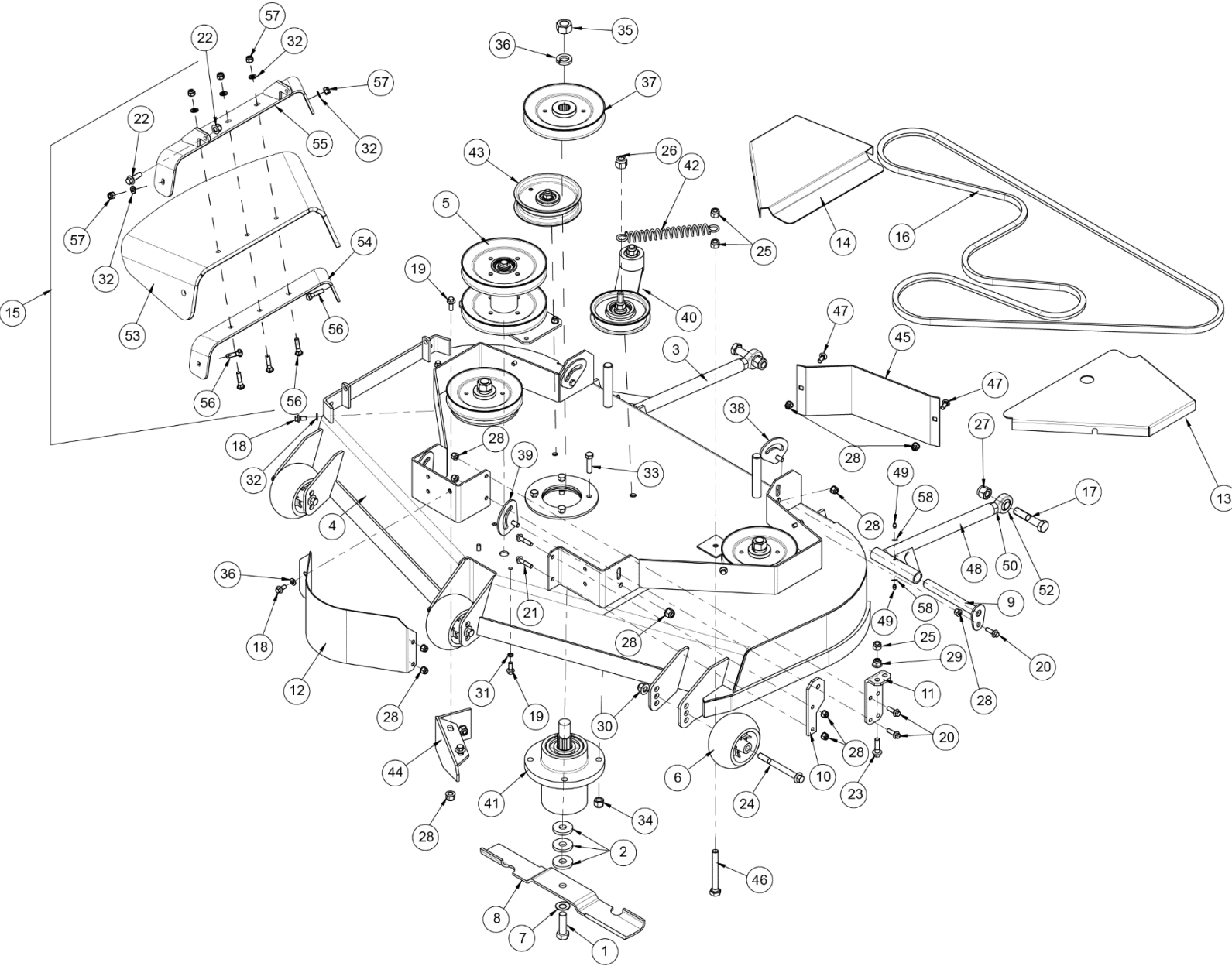
48" DECK ASSEMBLY

| ITEM | PART NO. | DESCRIPTION |
|------|----------------|---------------------------------------|
| 1 | 100347 | 5/8-11 X 2 HHCS |
| 2 | 363382 | BLADE SPACER |
| 3 | 462264 | ASM, 48 DECK STRUT |
| 4 | 462275 | WLD, 48 DECK W/DECALS |
| 5 | REFERENCE ONLY | ASM, DRIVE IDLER DETAIL ON PG 34 |
| 6 | 483103 | BLADE, 16.250" OFFSET |
| | 483049 | 16.25 MULCHER (WAVY) |
| 7 | 543225 | ROLLER, ANTI SCALP |
| 8 | 583108 | 5/8 SPRING DISC WASHER |
| 9 | 603050 | BLADE BELT (R) |
| 10 | 4801050 | ASM, DISCHARGE CHUTE |
| 11 | 5201055 | AXLE PIN WELDMENT |
| 12 | 463690-2 | TAB, IDLER STRAP MT |
| 13 | 463691-2 | ANGLE, SPRING MT |
| 14 | 462266 | PULLEY COVER, FRONT DECK W/DECALS |
| 15 | 462269 | PULLEY COVER, 48 LH DECK W/DECALS |
| 16 | 462270 | PULLEY COVER, 48 RH DECK W/DECALS |
| 17 | B5782-1680 | SCREW, HH M16 X 80 |
| 18 | B5787-816 | SCREW, HH FLANGE M8X16 |
| 19 | B5787-820 | SCREW, HH FLANGE M8X20 |
| 20 | B5787-825 | SCREW, HH FLANGE M8x25 |
| 21 | B5787-835 | BOLT, M8 X 35 FLANGE HEAD |
| 22 | B5787-1030 | SCREW, HH FLANGE M10x30 |
| 23 | B5787-1035 | HEX FLANGE HD BOLT M10X35 |
| 24 | B5787-12120 | SCREW, HH FLANGE M12 X 120 |
| 25 | B6182-10 | NUT, NYLOC M10 |
| 26 | B6182-12 | NUT, NYLOC M12 |
| 27 | B6182-16 | NYLOC NUT M16 |
| 28 | B6183-8 | NUT, FLANGED NYLOC M8 |
| 29 | B6183-10 | NUT, NYLOC FLANGE M10 |
| 30 | B6183-12 | NUT, NYLOC FLANGE M12 |
| 31 | B93-8 | LOCKWASHER M8 |
| 32 | B97.1-8 | WASHER 8 |
| 33 | 104511 | 3/4-16 UNF REG HEX NUT |
| 34 | 105010 | 3/4 LOCKWASHER |
| 35 | 632061 | PULLEY, 48 DECK |
| 36 | 5201010 | DECK PULLEY ASSEMBLY DETAIL ON PG 38 |
| 37 | 543520 | EXTENSION SPRING |
| 38 | 462147 | WLD, DECK ADJUSTER |
| 39 | 543212-2 | BAFFLE, DOGLEG 48, RED |
| 40 | REFERENCE ONLY | ASM, IDLER PULLEY ARM DETAIL ON PG 36 |
| 41 | B12-825 | SQUARE BOLT M8 X 25 |
| 42 | 4801060 | CHUTE, BRACKET WLD, INNER |

48" DECK ASSEMBLY

| ITEM | PART NO. | DESCRIPTION |
|------|------------|------------------------------------|
| 43 | B5783-1080 | HEX HD BOLT M10X80 |
| 44 | 462235 | WLD, DECK ADJUSTER MIR |
| 45 | 583106 | BLADE SPINDLE ASSY DETAIL ON PG 35 |
| 46 | 104257 | 3/8-16 HEX NYLOC NUT |
| 47 | B801-820 | BOLT, CARRIAGE SN M8X20 |
| 48 | 100294 | 3/8-16 X 1-1/2 HHCS |
| 49 | B6182-8 | NUT, NYLOC M8 |
| 50 | 4801052 | DISCHARGE CHUTE |
| 51 | 4801051 | CHUTE BRACKET, INNER |
| 52 | 462231-1 | WLD, 48 DECK STRUT |
| 53 | B6170-16 | NUT M16 |
| 54 | SABJK16C | ROD END, SPHERICAL 16mm |
| 55 | B1152-6 | GREASE FITTING M6 |
| 56 | 543212-2 | BAFFLE, DOGLEG 48, RED |

52" DECK ASSEMBLY



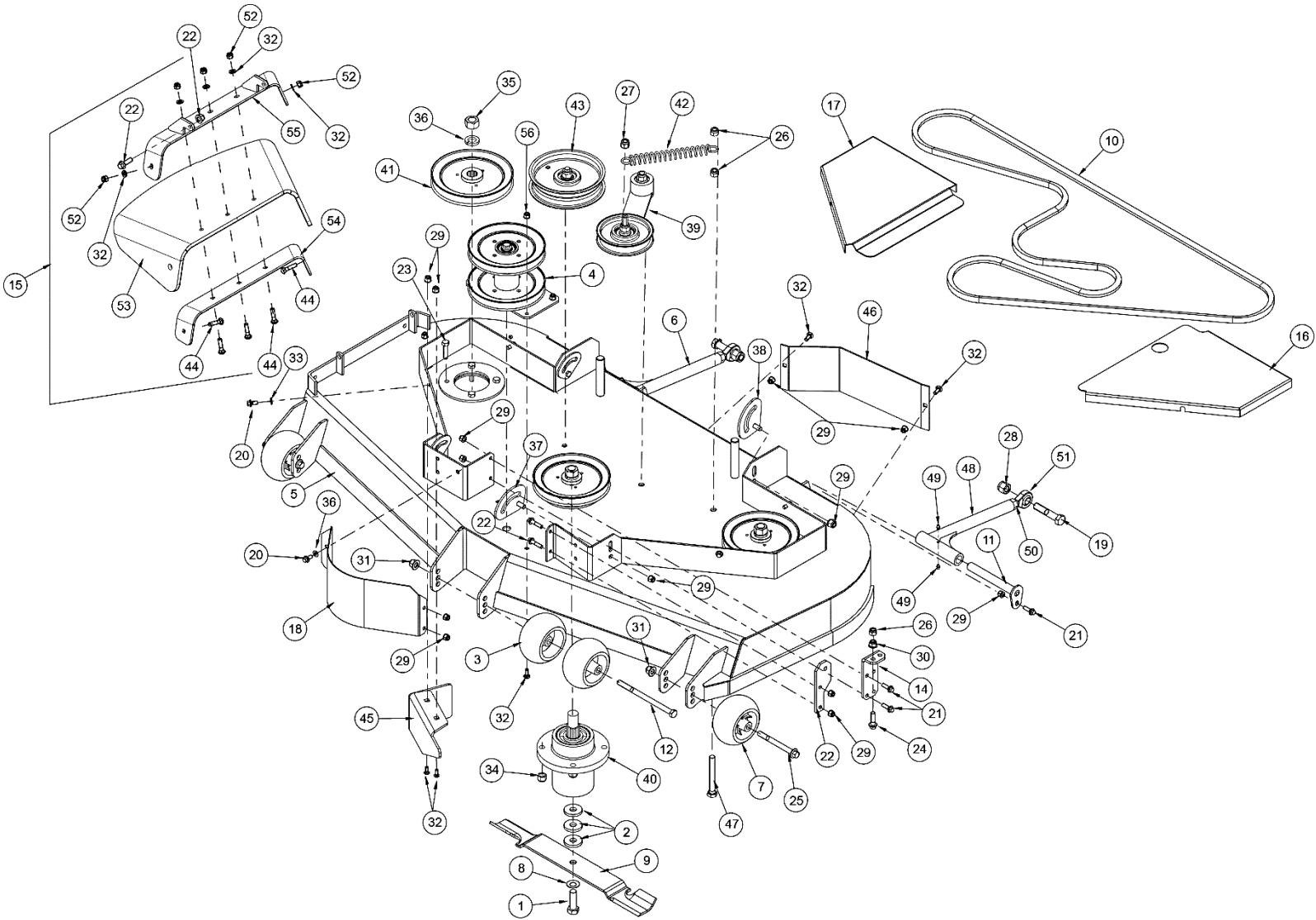
52" DECK ASSEMBLY

| ITEM | PART NO. | DESCRIPTION |
|------|----------------|---------------------------------------|
| 1 | 100347 | 5/8-11 X 2 HHCS |
| 2 | 363382 | BLADE SPACER |
| 3 | 462265 | ASM, 52 DECK STRUT |
| 4 | 462276 | WLD, 52 DECK W/DECALS |
| 5 | REFERENCE ONLY | ASM, DRIVE IDLER DETAIL ON PG 34 |
| 6 | 543225 | ROLLER, ANTI SCALP |
| 7 | 583108 | 5/8 SPRING DISC WASHER |
| 8 | 823004 | 18" HI LIFT BLADE |
| | 823353 | 18" MULCHING BLADE |
| 9 | 5201055 | AXLE PIN WELDMENT |
| 10 | 463690-2 | TAB, IDLER STRAP MT |
| 11 | 463691-2 | ANGLE, SPRING MT |
| 12 | 462266 | PULLEY COVER, FRONT DECK W/DECALS |
| 13 | 462267 | PULLEY COVER, 52 LH DECK W/DECALS |
| 14 | 462268 | PULLEY COVER, 52 RH DECK W/DECALS |
| 15 | 6001050A | ASM, DISCHARGE CHUTE 52/60 |
| 16 | 603053X | 61" DECK DRIVE BELT |
| 17 | B5782-1680 | SCREW, HH M16 X 80 |
| 18 | B5787-816 | SCREW, HH FLANGE M8X16 |
| 19 | B5787-820 | SCREW, HH FLANGE M8X20 |
| 20 | B5787-825 | SCREW, HH FLANGE M8x25 |
| 21 | B5787-835 | BOLT, M8 X 35 FLANGE HEAD |
| 22 | B5787-1030 | SCREW, HH FLANGE M10x30 |
| 23 | B5787-1035 | HEX FLANGE HD BOLT M10X35 |
| 24 | B5787-12120 | SCREW, HH FLANGE M12 X 120 |
| 25 | B6182-10 | NUT, NYLOC M10 |
| 26 | B6182-12 | NUT, NYLOC M12 |
| 27 | B6182-16 | NYLOC NUT M16 |
| 28 | B6183-8 | NUT, FLANGED NYLOC M8 |
| 29 | B6183-10 | NUT, NYLOC FLANGE M10 |
| 30 | B6183-12 | NUT, NYLOC FLANGE M12 |
| 31 | B93-8 | LOCKWASHER 8 |
| 32 | B97.1-8 | WASHER 8 |
| 33 | 100294 | 3/8-16 X 1-1/2 HHCS |
| 34 | 104257 | 3/8-16 HEX NYLOC NUT |
| 35 | 104511 | 3/4-16 UNF REG HEX NUT |
| 36 | 105010 | 3/4 LOCKWASHER |
| 37 | 452073 | PULLEY, DECK |
| 38 | 462147 | WLD, DECK ADJUSTER |
| 39 | 462235 | WLD, DECK ADJUSTER MIR |
| 40 | REFERENCE ONLY | ASM, IDLER PULLEY ARM DETAIL ON PG 36 |
| 41 | 583106 | BLADE SPINDLE ASSY DETAIL ON PG 35 |
| 42 | 543520 | EXTENSION SPRING |
| 43 | 5201010 | DECK PULLEY ASSEMBLY DETAIL ON PG 38 |

52" DECK ASSEMBLY

| ITEM | PART NO. | DESCRIPTION |
|------|------------|--------------------------------|
| 44 | 452119-2 | WLD, DISCHARGE BAFFLE, PTD |
| 45 | 543046-2 | BAFFLE, BIRDWING LH, PTD |
| 46 | B5783-1080 | HEX HD BOLT M10X80 |
| 47 | B801-820 | BOLT, CARRIAGE SN M8X20 |
| 48 | 5201091 | SUPPORT POLE |
| 49 | B1152-6 | GREASE FITTING M6 |
| 50 | B6170-16 | NUT M16 |
| 51 | B93-6 | LOCKWASHER 6 |
| 52 | SABJK16C | ROD END, SPHERICAL 16MM |
| 53 | 6001053 | DISCHARGE CHUTE (RUBBER) |
| 54 | 6001052A | INNER BRACKET, DISCHARGE CHUTE |
| 55 | 6001054A | OUTER BRACKET, DISCHARGE CHUTE |
| 56 | B12-835 | HEX HD BOLT M8X35 |
| 57 | B6182-8 | NUT, NYLOC M8 |
| 58 | B97.1-6 | WASHER 6 |

60" DECK ASSEMBLY



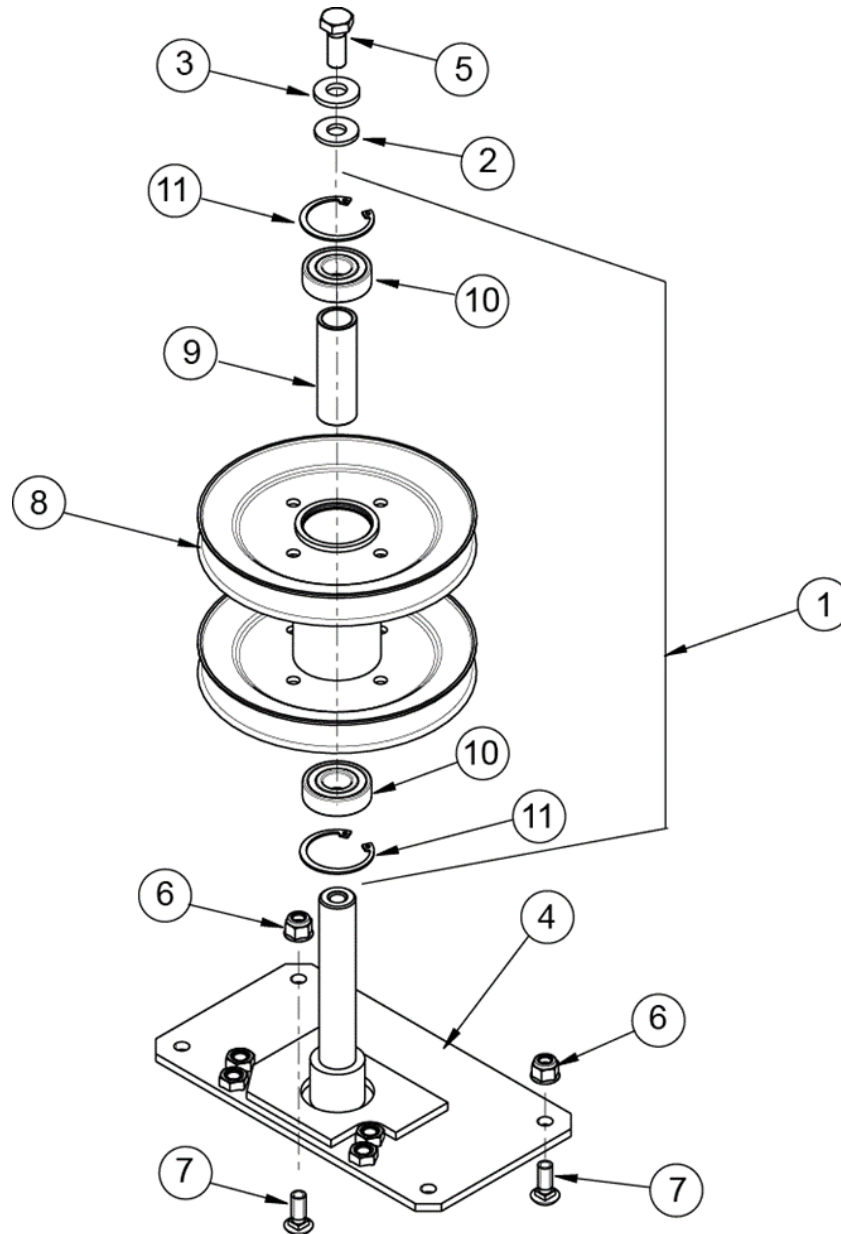
60" DECK ASSEMBLY

| ITEM | PART NO. | DESCRIPTION |
|------|----------------|---------------------------------------|
| 1 | 100347 | 5/8-11 X 2 HHCS |
| 2 | 363382 | BLADE SPACER |
| 3 | 423023 | ROLLER, ANTI SCALP |
| 4 | REFERENCE ONLY | ASM, DRIVE IDLER DETAIL ON PG 34 |
| 5 | 462277 | WLD, 60 DECK W/DECALS |
| 6 | 542025 | ASM, DECK STRUT |
| 7 | 543225 | ROLLER, ANTI SCALP |
| 8 | 583108 | 5/8 SPRING DISC WASHER |
| 9 | 633335 | BLADE, 20.5" HI LIFT |
| 10 | 5001002 | BELT- BLADE DRIVE |
| 11 | 5201055 | AXLE PIN WELDMENT |
| 12 | 5202029 | SCREW, HH CAP M12 X 185 |
| 13 | 463690-2 | TAB, IDLER STRAP MT |
| 14 | 463691-2 | ANGLE, SPRING MT |
| 15 | 6001050A | ASM, DISCHARGE CHUTE 52/60 |
| 16 | 462271 | PULLEY COVER 60 LH DECK W/DECALS |
| 17 | 462272 | PULLEY COVER, 60 RH DECK W/DECALS |
| 18 | 462266 | PULLEY COVER, FRONT DECK W/DECALS |
| 19 | B5782-1680 | SCREW, HH M16 X 80 |
| 20 | B5787-816 | SCREW, HH FLANGE M8X16 |
| 21 | B5787-825 | SCREW, HH FLANGE M8X25 |
| 22 | B5787-835 | BOLT, M8 X 35 FLANGE HEAD |
| 23 | 100294 | 3/8-16 X 1-1/2 HHCS |
| 24 | B5787-1035 | HEX FLANGE HD BOLT M10X35 |
| 25 | B5787-12120 | SCREW, HH FLANGE M12 X 120 |
| 26 | B6182-10 | NUT, NYLOC M10 |
| 27 | B6182-12 | NUT, NYLOC M12 |
| 28 | B6182-16 | NYLOC NUT M16 |
| 29 | B6183-8 | NUT, FLANGED NYLOC M8 |
| 30 | B6183-10 | NUT, NYLOC FLANGE M10 |
| 31 | B6183-12 | NUT, NYLOC FLANGE M12 |
| 32 | B801-820 | BOLT, CARRIAGE SN M8X20 |
| 33 | B97.1-8 | WASHER 8 |
| 34 | 104257 | 3/8-16 HEX NYLOC NUT |
| 35 | 104511 | 3/4-16 UNF REG HEX NUT |
| 36 | 105010 | 3/4 LOCKWASHER |
| 37 | 462147 | WLD, DECK ADJUSTER |
| 38 | 462235 | WLD, DECK ADJUSTER MIR |
| 39 | REFERENCE ONLY | ASM, IDLER PULLEY ARM DETAIL ON PG 38 |
| 40 | 583106 | BLADE SPINDLE ASSY DETAIL ON PG 35 |
| 41 | 632044 | PULLEY, 60 DB DECK |
| 42 | 543520 | EXTENSION SPRING |
| 43 | 5201010 | DECK PULLEY ASSEMBLY DETAIL ON PG 38 |

60" DECK ASSEMBLY

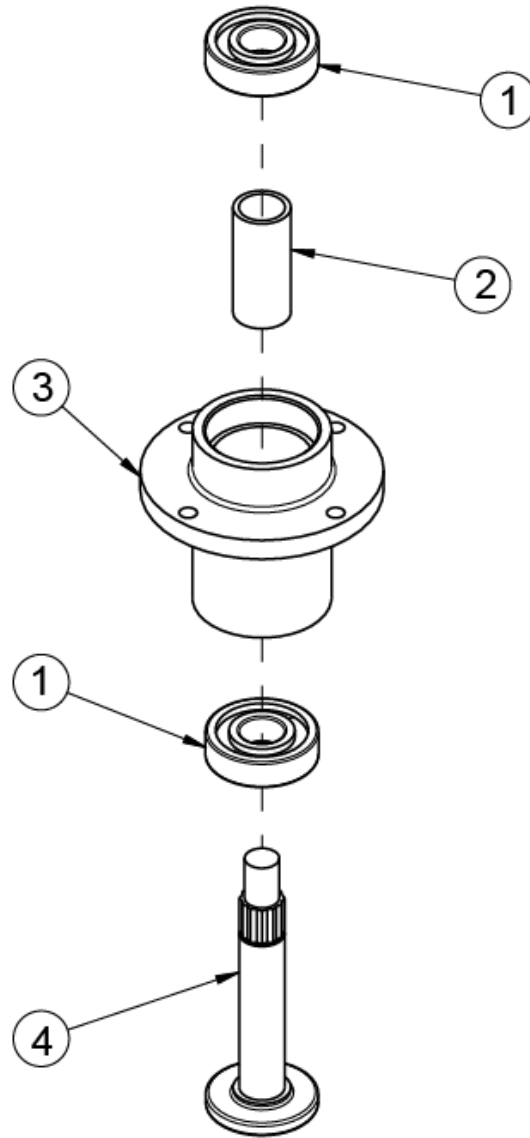
| ITEM | PART NO. | DESCRIPTION |
|------|------------|--------------------------------|
| 44 | B12-835 | HEX HD BOLT M8X35 |
| 45 | 543214-2 | BAFFLE, DOGLEG 60, RED |
| 46 | 543217-2 | BAFFLE, BIRDWING 60, RED |
| 47 | B5783-1080 | HEX HD BOLT M10X80 |
| 48 | 542024-1 | WLD, STRUT, BLACK |
| 49 | B1152-6 | GREASE FITTING M6 |
| 50 | B6170-16 | NUT M16 |
| 51 | SABJK16C | ROD END, SPHERICAL 16MM |
| 52 | B6182-8 | NUT, NYLOC M8 |
| 53 | 6001053 | DISCHARGE CHUTE (RUBBER) |
| 54 | 6001052A | INNER BRACKET, DISCHARGE CHUTE |
| 55 | 6001054A | OUTER BRACKET, DISCHARGE CHUTE |
| 56 | B6182-8 | NUT, NYLOC M8 |

DRIVE IDLER ASSEMBLY



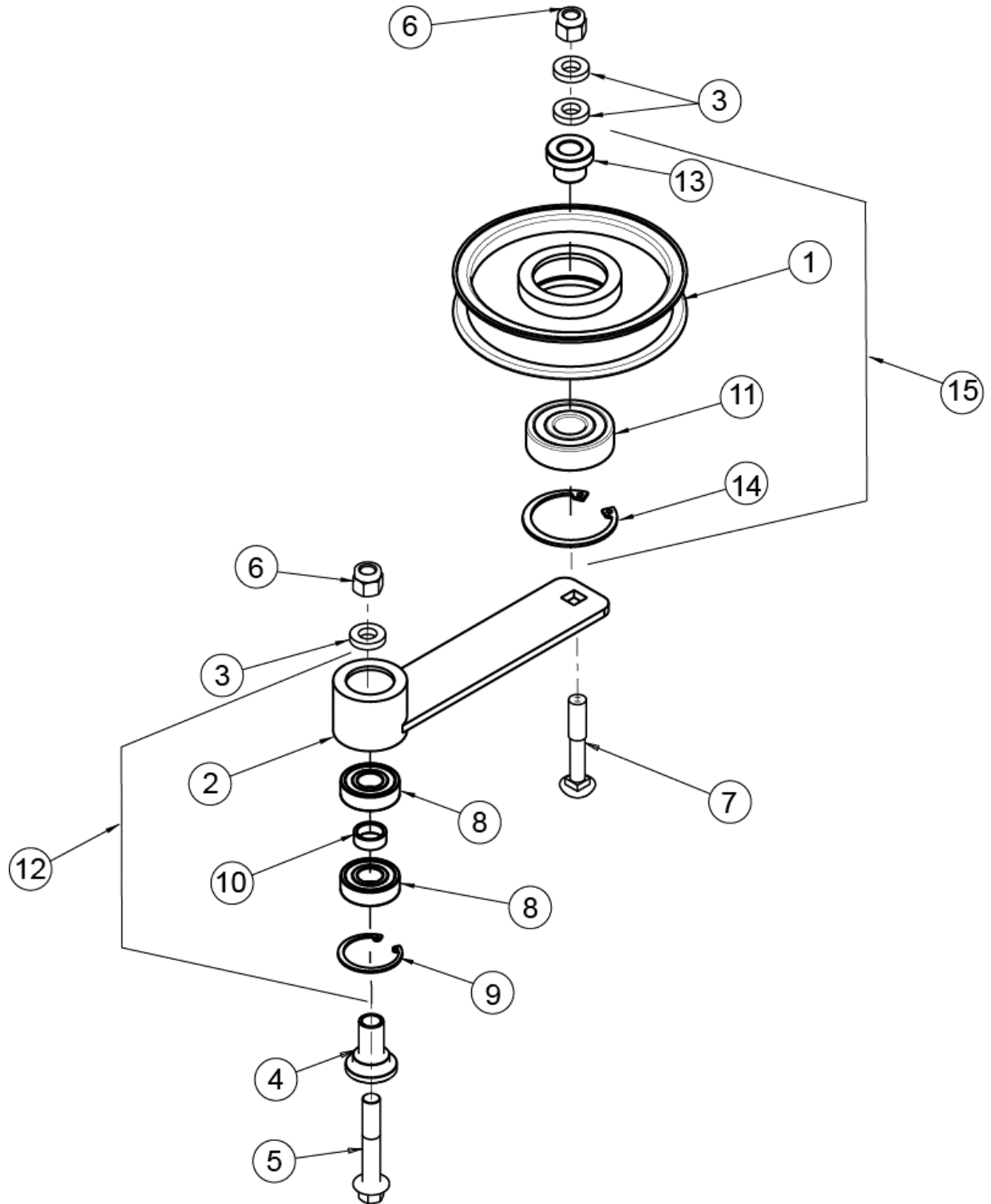
| ITEM | PART NO. | DESCRIPTION |
|------|-------------|-------------------------|
| 1 | 462263 | ASM, DRIVE IDLER PULLEY |
| 2 | 3302058 | WASHER 10 |
| 3 | 5201061 | WASHER |
| 4 | 462233-1 | WLD, DRIVE IDLER AXLE |
| 5 | B5783-1025 | SCREW, HH TAP M10x25 |
| 6 | B6182-8 | NUT, NYLOC M8 |
| 7 | B801-820 | BOLT, CARRIAGE SN M8X20 |
| 8 | 462234 | WLD, DRIVE IDLER 7.5" |
| 9 | 463683 | SPACER, DRIVE IDLER |
| 10 | B276-6204RS | BEARING |
| 11 | B893.2-47 | SNAP RING 47 |

BLADE SPINDLE ASSEMBLY



| ITEM | PART NO. | DESCRIPTION |
|------|----------|-------------------------|
| 1 | 363350 | BEARING – BLADE SPINDLE |
| 2 | 583113 | BEARING SPACER TUBE |
| 3 | 583111 | SPINDLE HOUSING |
| 4 | 583112 | SPINDLE SHAFT |

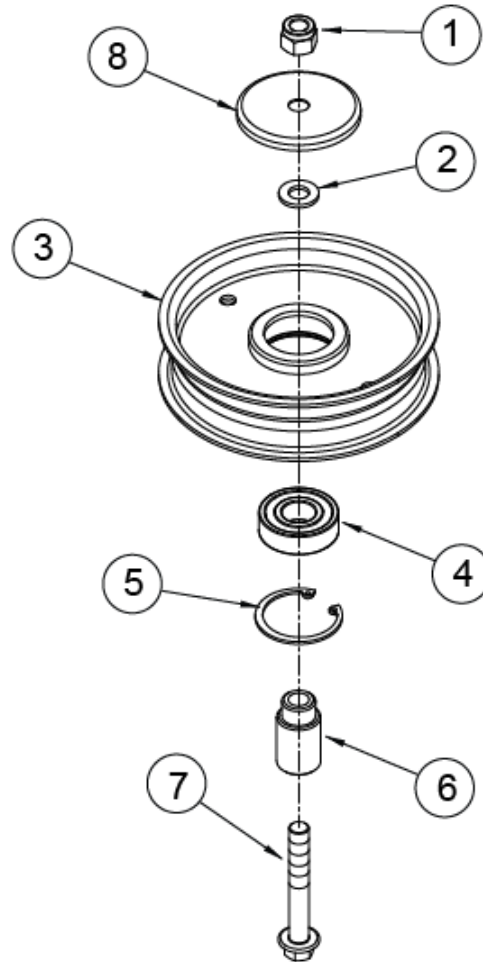
IDLER PULLEY ARM ASSEMBLY



IDLER PULLEY ARM ASSEMBLY

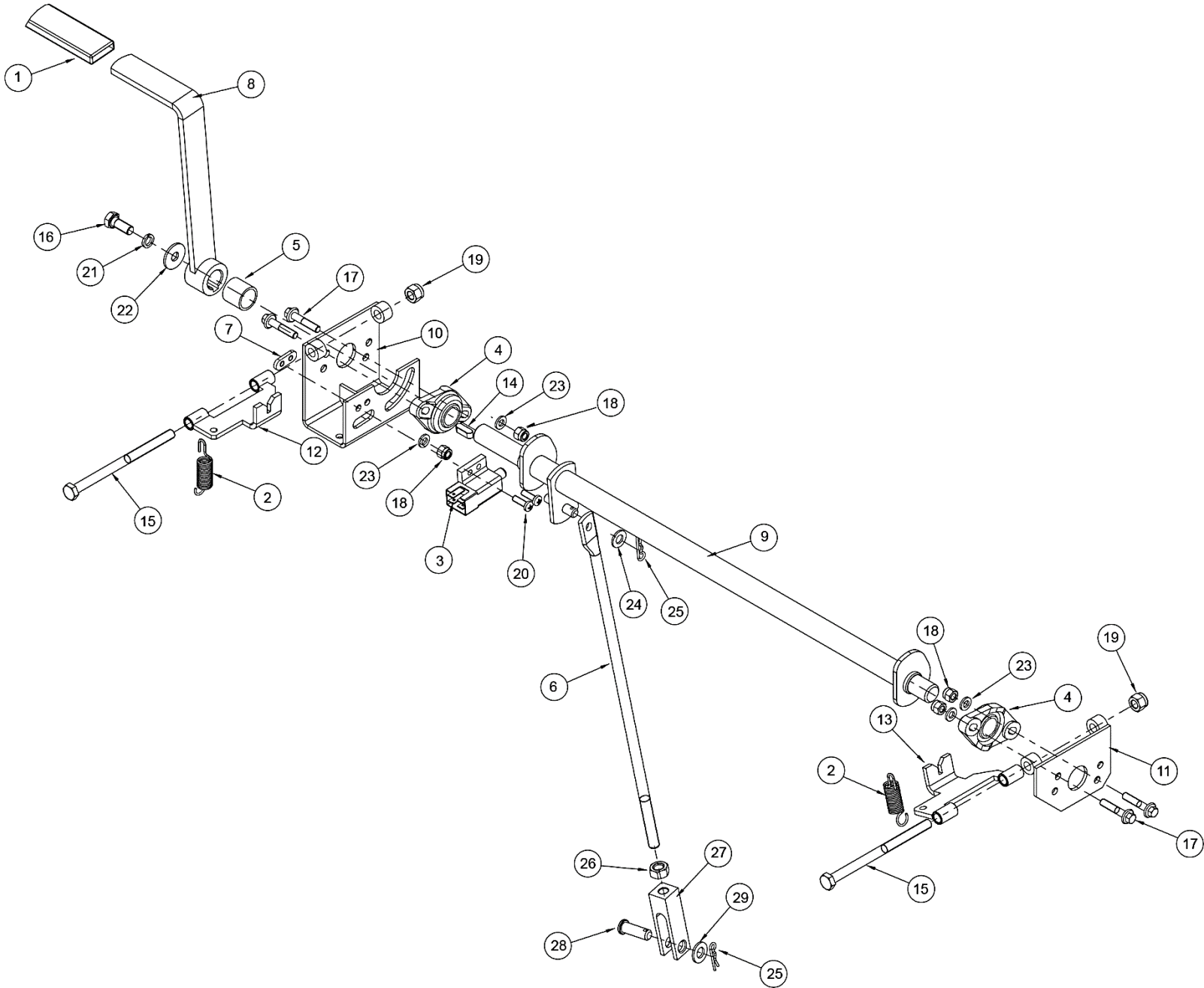
| ITEM | PART NO. | DESCRIPTION |
|------|-------------|-----------------------------|
| 1 | 3302056 | IDLER PULLEY |
| 2 | 452063 | WLD, IDLER ARM |
| 3 | 453220 | SPACER |
| 4 | 453313 | BUSHING, STEPPED |
| 5 | B5787-1270 | SCREW, HH FLANGED MM12 X 70 |
| 6 | B6182-12 | NUT, NYLOC M12 |
| 7 | B801-1270 | CARRIAGE BOLT M12X70 |
| 8 | B276-6203RS | BEARING 6203-2RS |
| 9 | B893.1-40 | SNAP RING 40 |
| 10 | 5201077 | BUSHING |
| 11 | B276-6303RS | BEARING 6303-2RS |
| 12 | 452071 | ARM, IDLER W/BEARINGS |
| 13 | 543167 | SPACER, STEPPED |
| 14 | B893.2-47 | SNAP RING 47 |
| 15 | 452062 | ASM, IDLER PULLEY |

DECK PULLEY ASSEMBLY



| ITEM | PART NO. | DESCRIPTION |
|------|-------------|---------------------------|
| 1 | B6182-10 | NUT, NYLOC M10 |
| 2 | 5201078 | SPACER |
| 3 | 5201012 | IDLER PULLEY |
| 4 | B276-6203RS | BEARING 6203-2RS |
| 5 | B893.1-40 | SNAP RING 40 |
| 6 | 5201011 | BUSHING |
| 7 | B5787-1070 | HEX FLANGE HD BOLT M10X70 |
| 8 | 5201291 | COVER |

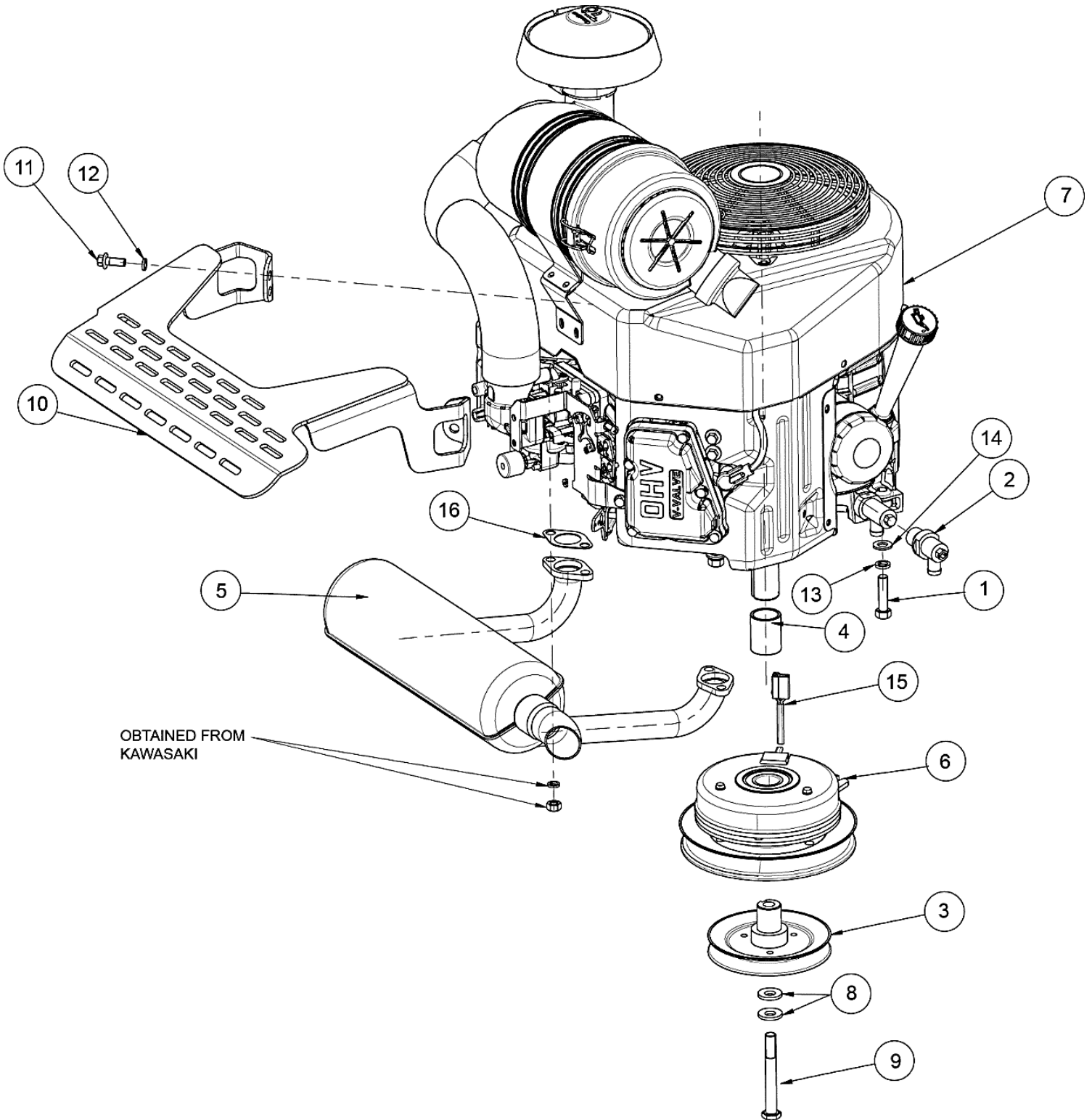
PARK BRAKE ASSEMBLY



PARK BRAKE ASSEMBLY

| ITEM | PART NO. | DESCRIPTION |
|------|------------|---------------------------|
| 1 | 363022 | ADJ. LEVER GRIP |
| 2 | 363155 | OPC SPRING |
| 3 | 463513 | SWITCH, NO/NO PARK |
| 4 | 463535 | BEARING, TWO BOLT 17MM |
| 5 | 463536 | SPACER, BRAKE LEVER |
| 6 | 463676 | ROD, 52 SO BRAKE |
| 7 | 5208103 | NUT RACK |
| 8 | 462159-1 | WLD, 36 SO PRK BRK LEVER |
| 9 | 462171-1 | WLD, BRAKE LOCK SHAFT |
| 10 | 462222-1 | WLD, RH BRAKE LEVER BRKT |
| 11 | 462223-1 | WLD, LH BRAKE LEVER BRKT |
| 12 | 462224-1 | WLD, NEUTRAL LOCK PAWL RH |
| 13 | 462225-1 | WLD, NEUTRAL LOCK PAWL LH |
| 14 | B1096-618 | SQUARE KEY 6X18 |
| 15 | B5782-8120 | BOLT M8X120 |
| 16 | B5783-820 | SCREW, HH TAP M8X20 |
| 17 | B5787-625 | M6 X 25 HH FLAT SCREW |
| 18 | B6182-6 | NUT, NYLOC M6 |
| 19 | B6182-8 | NUT, NYLOC M8 |
| 20 | B823-516 | SCREW M5X16 |
| 21 | B93-8 | LOCKWASHER 8 |
| 22 | B96-8 | WASHER 8 |
| 23 | B97.1-6 | WASHER 6 |
| 24 | B97.1-8 | WASHER 8 |
| 25 | XSZ56-1-17 | HAIR PIN |
| 26 | B6171-10 | NUT M10X1 |
| 27 | 5206003 | CONNECTING YOKE |
| 28 | B882-1030 | PIN SHAFT B10X30 |
| 29 | B97.1-10 | WASHER, FLAT M10 |

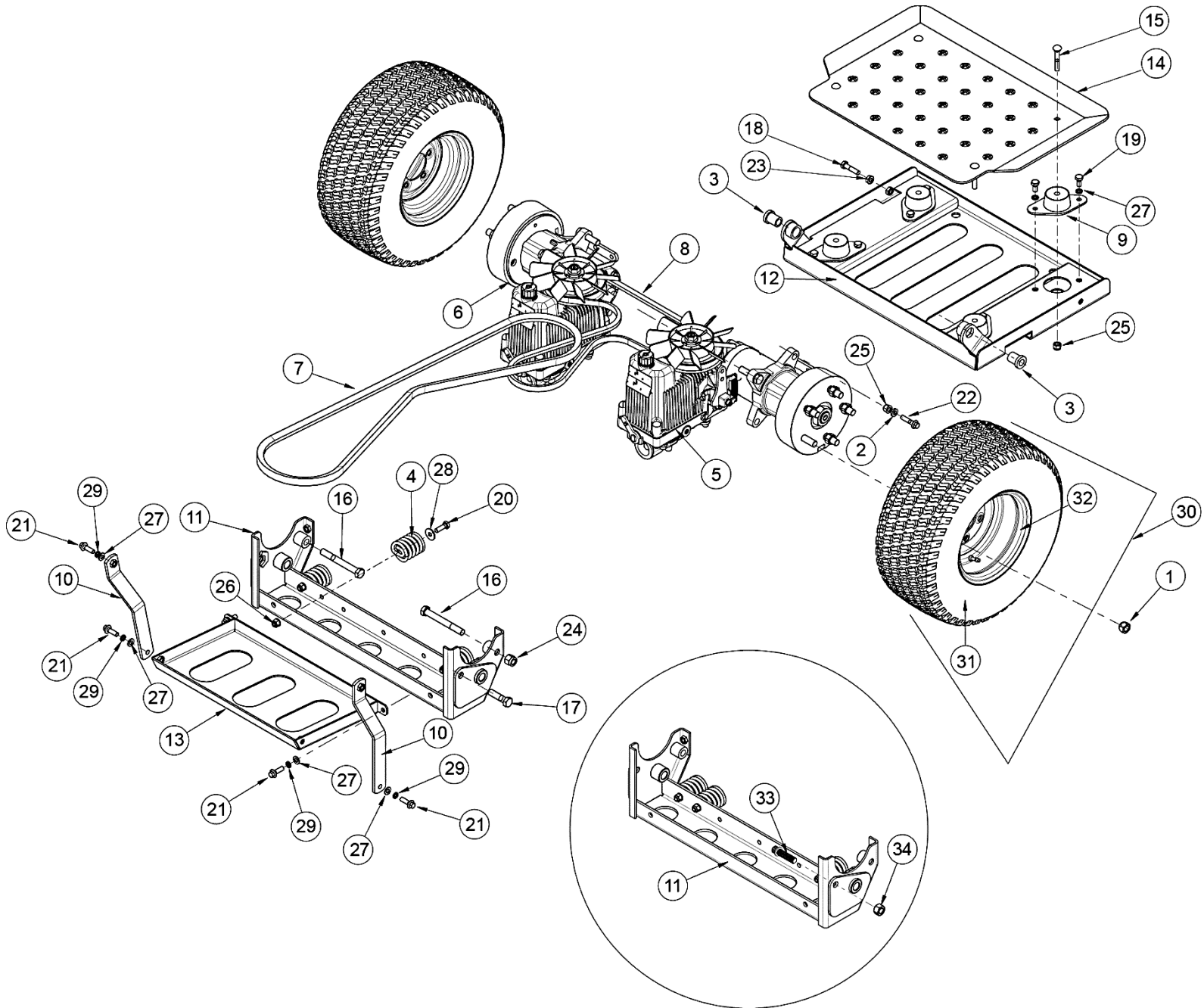
ENGINE GROUP



ENGINE GROUP

| ITEM | PART NO. | DESCRIPTION |
|-----------|----------------|-------------------------------|
| 1 | 100294 | 3/8-16 X 1-1/2 HHCS |
| 2 | 343146 | 90 DEGREE DRAIN -KAW BLK |
| 3 | 462151 | WLD, PUMP DRIVE PULLEY |
| 4 | 463816 | SPACER, 52 SO CLUTCH |
| 5 | 463688 | MUFFLER - FX730V KAW |
| 6 | 463803 | CLUTCH, 5218-201 |
| 7 | REFERENCE ONLY | ENGINE, KAW FX730V |
| 8 | 423069 | SPRING DISC. WASHER - 7/16 |
| 9 | 2807016B | BOLT 7/16-20UNFX3-1/2 |
| 10 | 462226-1 | WLD, MUFFLER COVER |
| 11 | B5787-820 | SCREW, HH FLANGE M8X20 |
| 12 | B93-8 | LOCKWASHER 8 |
| 13 | B93-10 | SPLIT LOCK WASHER M10 |
| 14 | B97.1-10 | WASHER, FLAT M10 |
| 15 | 603083 | CLUTCH ADAPT. HARNESS |
| 16 | 423324 | MUFFLER GASKET - 15,17 HP KAW |
| NOT SHOWN | 463699 | HARNESS, WIRE |

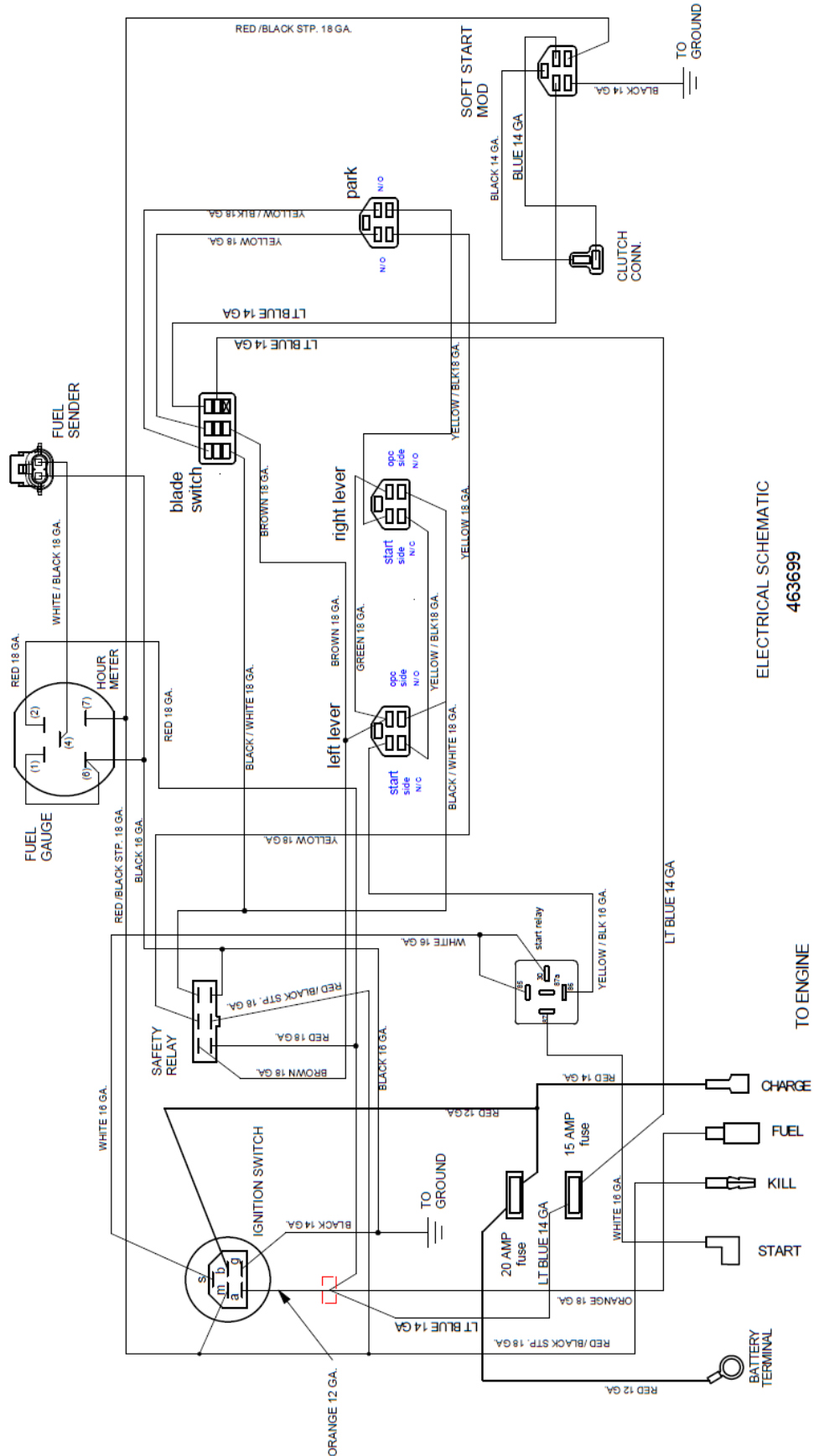
DRIVE ASSEMBLY



DRIVE ASSEMBLY

| ITEM | PART NO. | DESCRIPTION |
|------|-------------|---|
| 1 | 103023 | 1/2-20 X 60 T LUG NUT |
| 2 | 253075 | CABLE ANCHOR SPACER |
| 3 | 463209 | BUSHING, FOOT PLATE |
| 4 | 463524 | SPRING, COMPRESSED |
| 5 | 463642 | HTJ TRANSAXLE LH |
| 6 | 463643 | HTJ TRANSAXLE RH |
| 7 | 463668 | BELT, 52 SO DECK DRIVE |
| 8 | 523348 | PUMP DRIVE BELT |
| 9 | 543181 | ISO- MOUNT, SEAT |
| 10 | 462136-1 | WLD, AXLE PAN STRAP |
| 11 | 462207-1 | WLD, LOWER AXLE MOUNT |
| 12 | 462214-2 | WLD, FOOT PLATE |
| 13 | 462215-1 | WLD, AXLE PAN |
| 14 | 463661-2 | PAN, FOOT ISO |
| 15 | B12-850 | BOLT, M8 X 50 |
| 16 | B5782-12100 | SCREW, HH M12 X 100 |
| 17 | B5782-1245 | SCREW, HH M12 X 45 |
| 18 | B5782-835 | BOLT M8X35 |
| 19 | B5783-816 | SCREW, HH TAP M8X16 |
| 20 | B5783-825 | HEX HD BOLT M8X25 |
| 21 | B5787-825 | SCREW, HH FLANGE M8X25 |
| 22 | B5787-835 | BOLT, M8 X 35 FLANGE HEAD |
| 23 | B6177-8 | NUT, SERRATED FLANGE M8 |
| 24 | B6182-12 | NUT, NYLOC M12 |
| 25 | B6182-8 | NUT, NYLOC M8 |
| 26 | B6183-8 | NUT, FLANGED NYLOC M8 |
| 27 | B93-8 | WASHER 8MM LOCK |
| 28 | B96-8 | WASHER, FLAT M8 |
| 29 | B97.1-8 | WASHER 8MM FLAT |
| 30 | 462257 | ASM, 48 SO DRIVE WHEEL BLK |
| | 462205 | ASM, 52 SO DRIVE WHEEL WHT |
| 31 | 463783 | TIRE, 22 X 10.00 - 10 DRIVE - 48" MODEL |
| | 463639 | TIRE, 22 X 11.00 - 10 DRIVE - 52" & 60" MODELS |
| 32 | 463784 | RIM FIVE HOLES, BLK 10 X 7 - 48" MODEL |
| | 463640 | RIM FIVE HOLES, BLK 10 X 8.5 - 52" & 60" MODELS |
| 33 | 103034 | BOLT, 1/2 - 13 X 1.75 FERRY HD |
| 34 | 104259 | 1/2-13 HEX NYLOC NUT |

WIRE HARNESS



ELECTRICAL SCHEMATIC
463699

DECAL GROUP



363023



453390



453389



8304



8303



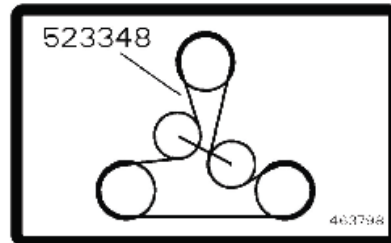
543397



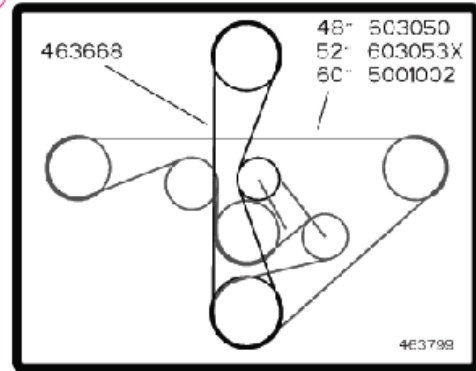
8307



543380



463798



463799



8318



8008



463576



543392

543392

DECAL GROUP



463443



8328



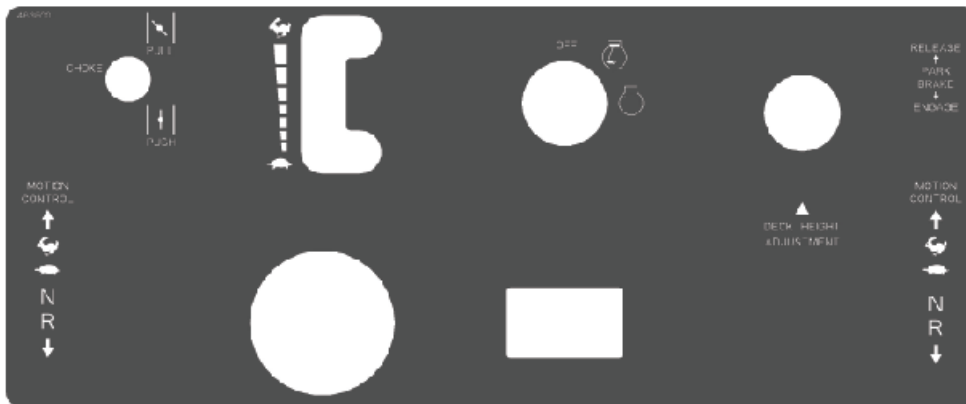
8326



8327



463801



463800



463445



633275



WORLDLAWN[®]
POWER EQUIPMENT

ALL RIGHTS RESERVED

WYS48FX730VL WYS52FX730V PARTS MANUAL

CONTENTS SUBJECT TO CHANGE

STANDON

201911