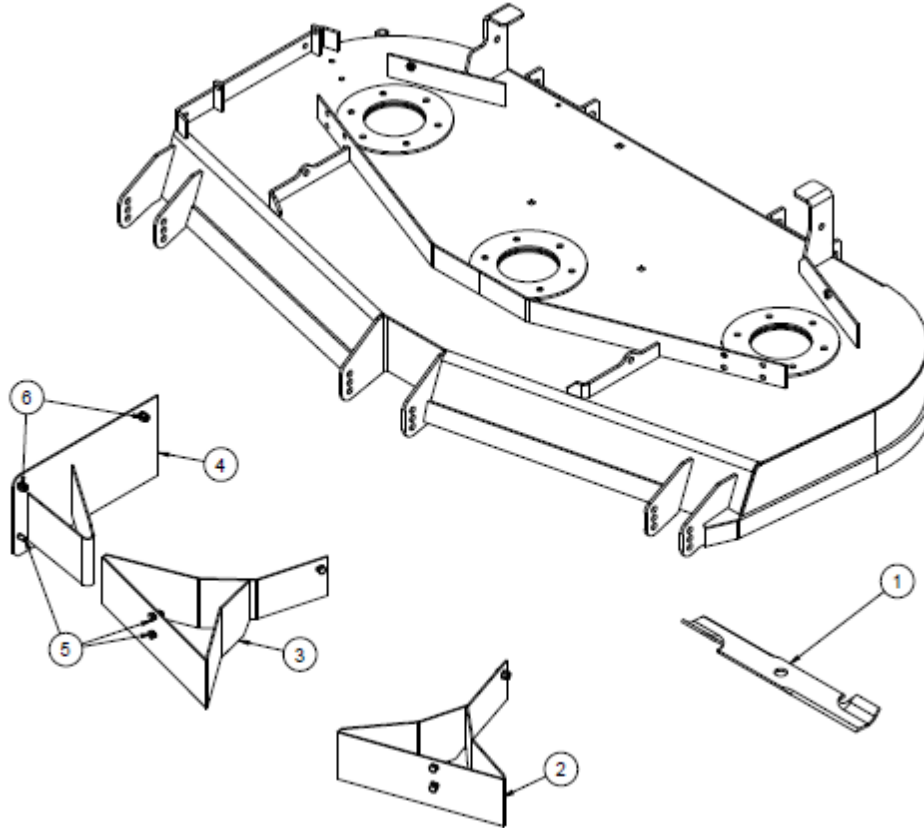


541005 MULCH KIT FOR 52" ZTR MODELS



ITEM	DESCRIPTION	PART NO.	QTY
1	18" MULCH BLADE	543436	3
2	WLD, MULCH 52 LH	542084-2	1
3	WLD, MULCH 52 RH	542085-2	1
4	WLD, BLOCK PLATE 52	542086-2	1
5	BOLT M8 X 20	B5787-820	9
6	NUT M8	B6183-8	8

INSTRUCTIONS:

1. Remove bird wing baffle from front left underside of the cutting deck and install the left and right mulch baffles provided in the kit. Attach with hardware provided 3 places for each baffle.
2. Remove standard blades from cutter spindles and install mulch blades. Torque the blade bolts to 50-60 ft-lb.
3. Remove discharge chute from deck and install block plate.