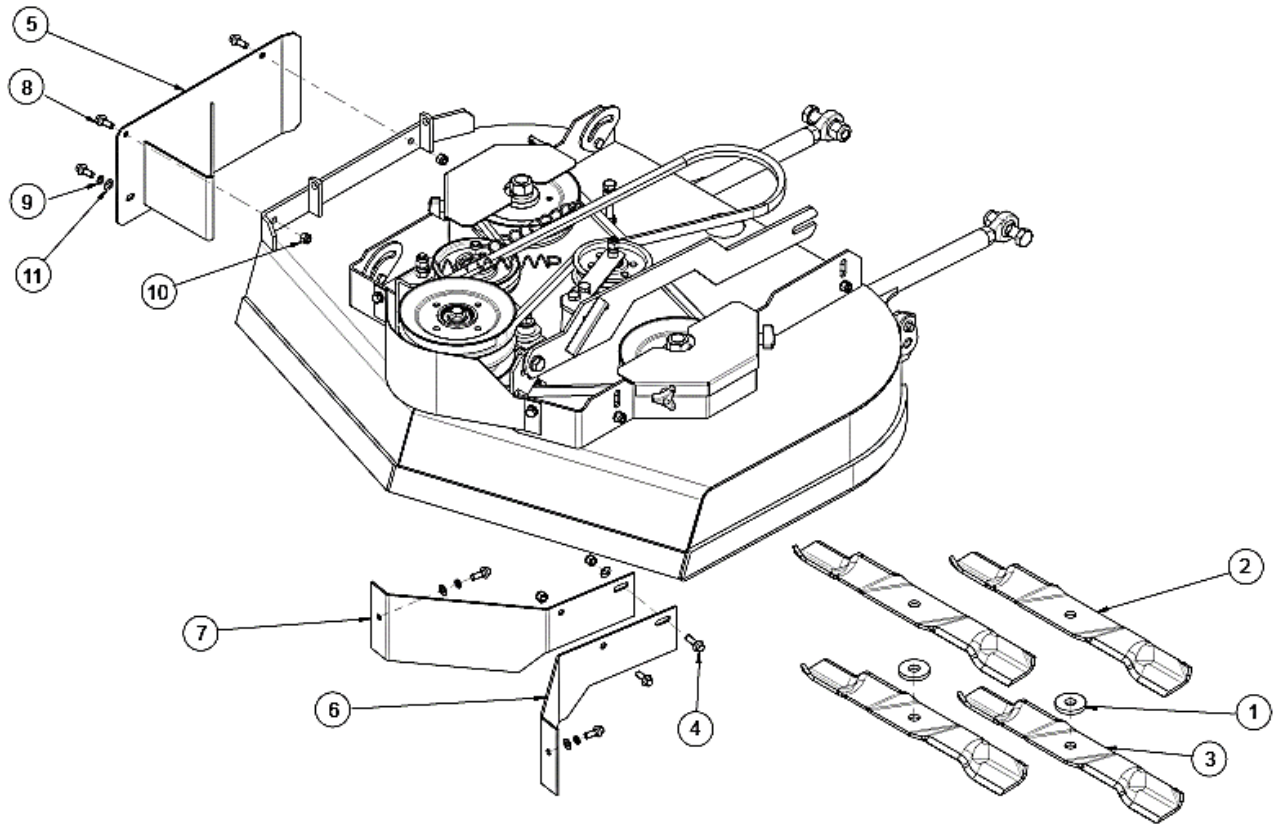


461032 MULCH KIT FOR 32"/36" COMPACT STANDON



ITEM	PART NO.	DESCRIPTION	QTY
1	363382	BLADE SPACER	2
2	463557	MULCHING BLADES, 17.75	2
3	463579	MULCHING BLADES, 16.5"	2
4	B5787-825	SCREW, HH FLANGE M8 X 25	1
5	462169-2	WLD, 32/36 SO MULCH DOOR	1
6	463264-2	BAFFLE, LARGE MULCH	1
7	463265-2	BAFFLE, SMALL MULCH	1
8	B5787-820	SCREW, HH FLANGE M8 X 20	6
9	B93-8	LOCKWASHER 8	1
10	B6182-8	NUT, NYLOC M8	4
11	B97.1-8	WASHER 8	3

1. Remove the standard blades, save the hardware and spacers
2. Thoroughly clean the underside of the deck
3. Assembly the mulch baffle in the center for the deck
4. Install the appropriate mulch blades and required spacers
 - 32" deck – 2-16.5" blades and 2 spacers (1 per blade)
 - 36" deck – 2-17.75" blades

Torque to 50/60 ft/lbs
5. Remove discharge chute from deck and install block plate with hardware provided.