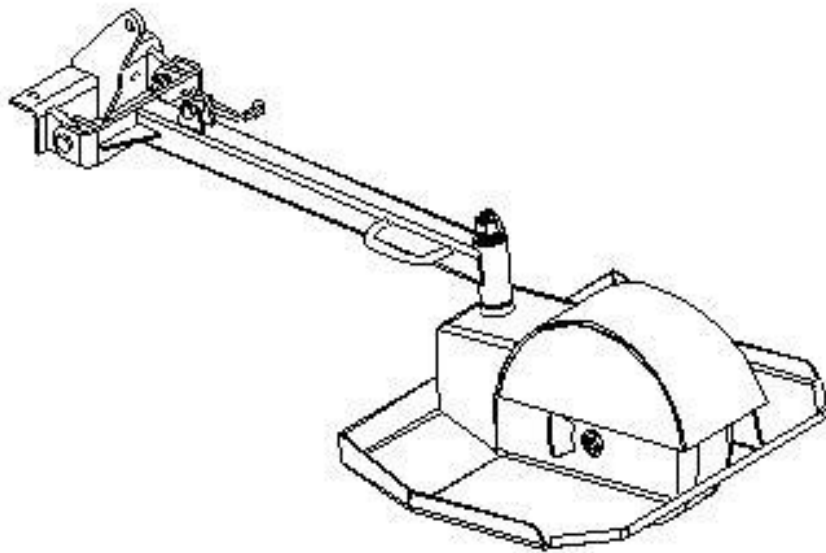



SK-9 Operator's Manual





APPLY TO: WY36, WY42, WY48

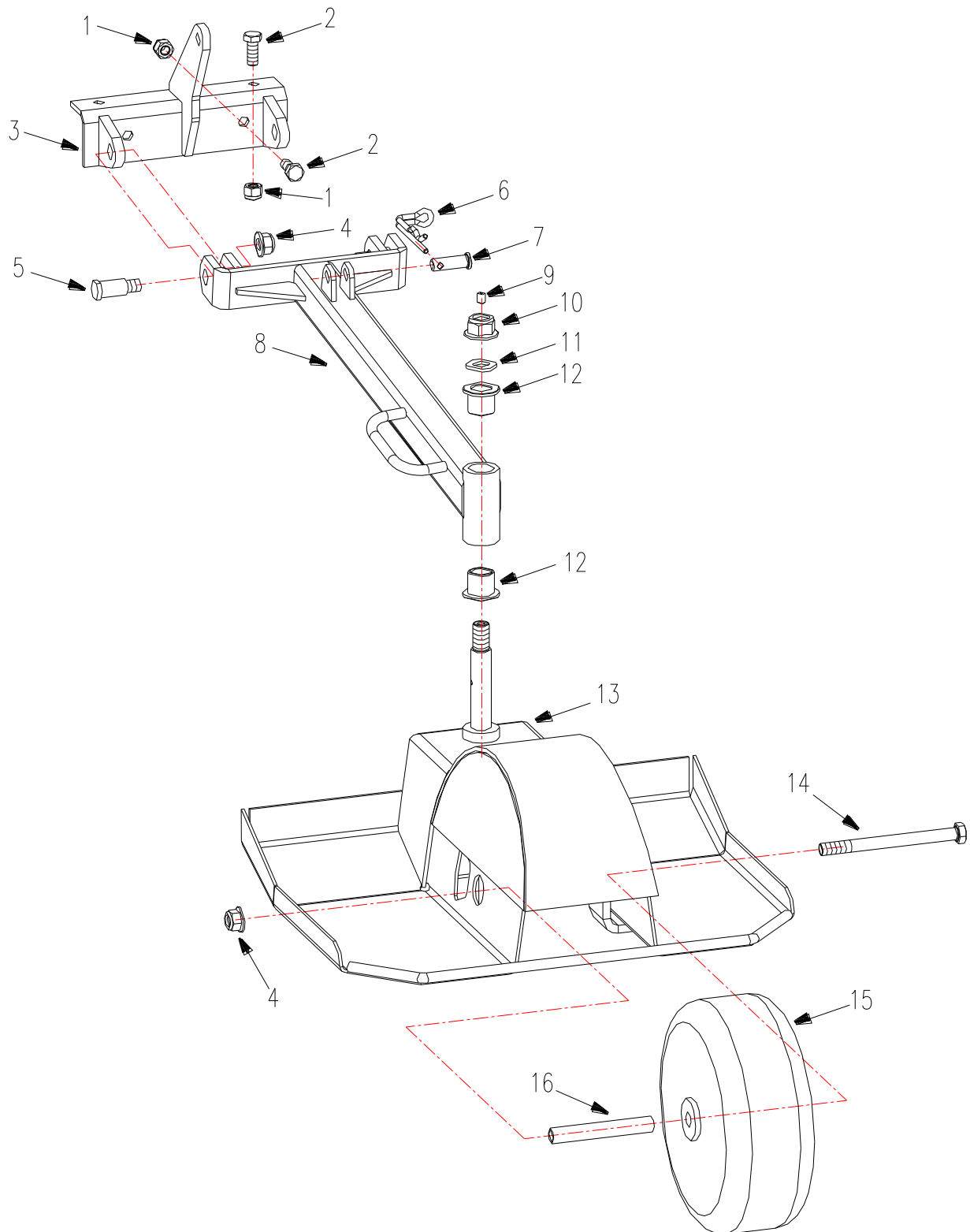
Welcome to www.worldlawnpowerequip.com

SAFETY INFORMATION

 **WARNING**: The SULKY must be working in a good condition, if not, **COULD** result in serious injury.

 **WARNING**: Don't operate the mower when you are tired or have alcohol, if not, **COULD** result in a serious injury.

 **WARNING**: The rated bearing weight is 100kg. Slow down while taking a turning, if not, you may be thrown out, resulting in serious injury.



REF.	PART NO.	DESCRIPTION
1	B6182-10	Nut M10
2	B5783-1025	Bolt M10*25
3	4815100	Bracket
4	B6187-12	Nut M12
5	4815003	Axis Pin
6	4800008	Latch
7	4815001	Pin
8	4815200	Beam
9	B1155-8	Grease Fitting 8
10	B6187-16	Nut M16
11	B97.1-16	Washer 16
12	3301003	Bushing
13	4815300	Platform
14	B5782-12135	Bolt
15	4803100	Caster Wheel Assembly
16	4803001	Bushing

1.UNPACKING & ASSEMBLY

Open crate.

Remove unit from the crate, loose the nuts on the bracket, then attach the unit on the engine frame. See FIG 1

2.OPERATION INSTRUCTIONS

After assembling, operator may stand on the platform moving forward with the mower. For storage, pull the handle upward, remove the Latch from the rear beam, hang the rear part on the bracket

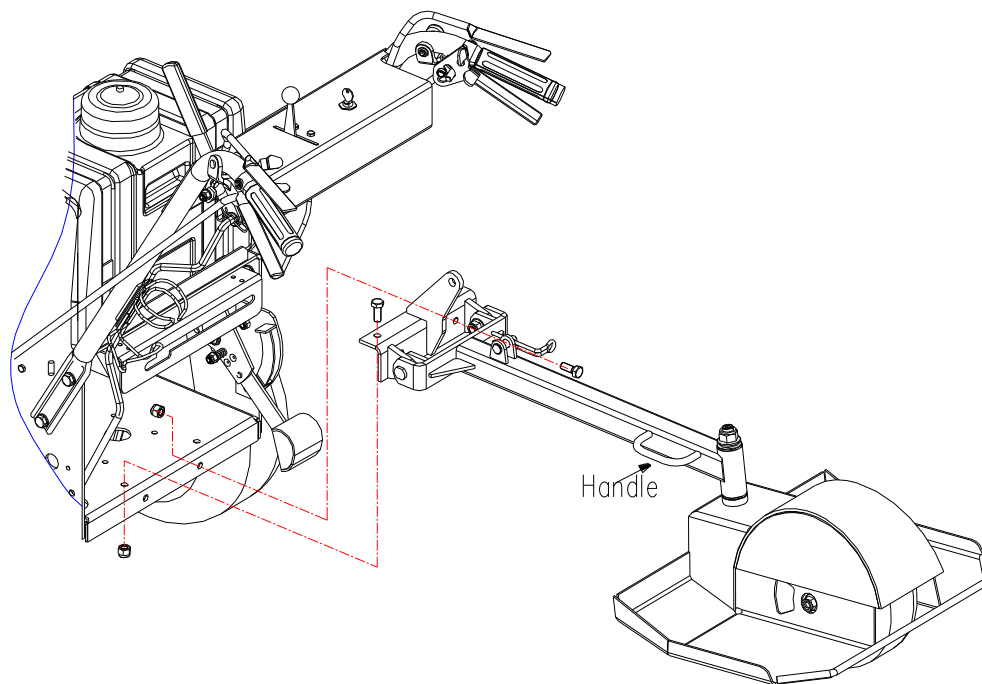


FIG1



SULKY



WORLDLAWN®

Worldlawn Power Equipment, Inc.

422 Turnbull Canyon Road City of Industry CA 91744

Phone: (626) 934-8552

Fax: (626) 934-8162

E-mail: worldlawnmower@adelphia.net