

Parts Catalog



WORLDLAWN[®]

WYRZ 46/50 Residential
Zero Turn Mower



Worldlawn Power Equipment, Inc.

Industrial Park 2415 Ashland Ave. Beatrice, NE 68310

Toll Free Number: 1-800-267-4255

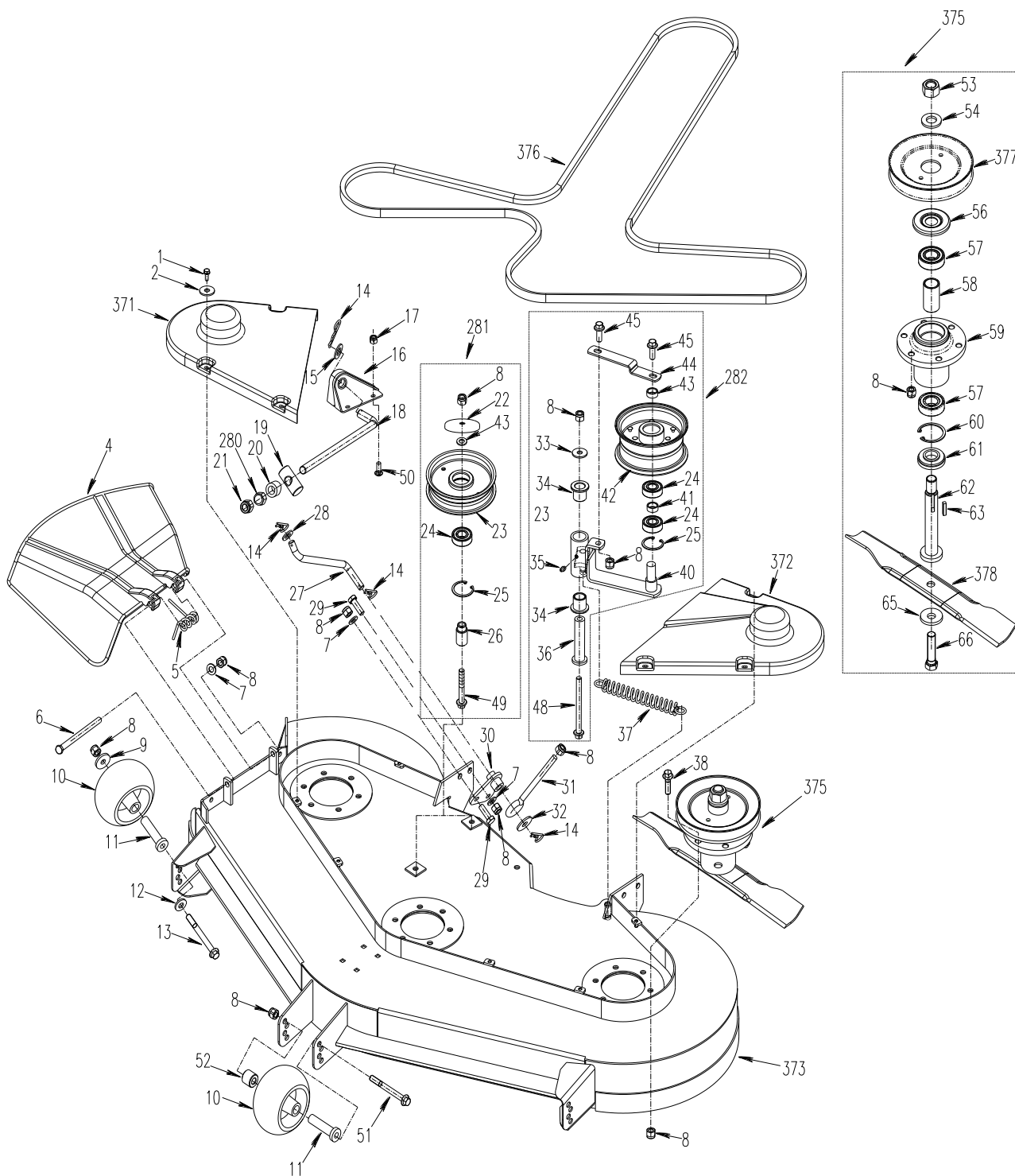


Table of Contents

Table of Contents

46” Mower Deck Assembly.....	1
50” Mower Deck Assembly.....	3
Front Frame Assembly.....	5
Control Assembly	7
Engine System	9
Driving System.....	11
Mower Deck Height Adjustment	12
Fuel Tank Assembly 1.....	13
Fuel Tank Assembly 2.....	14
Safety/Operation and Product Decals.....	15
Electrical System	17

46 Mower Deck Assembly

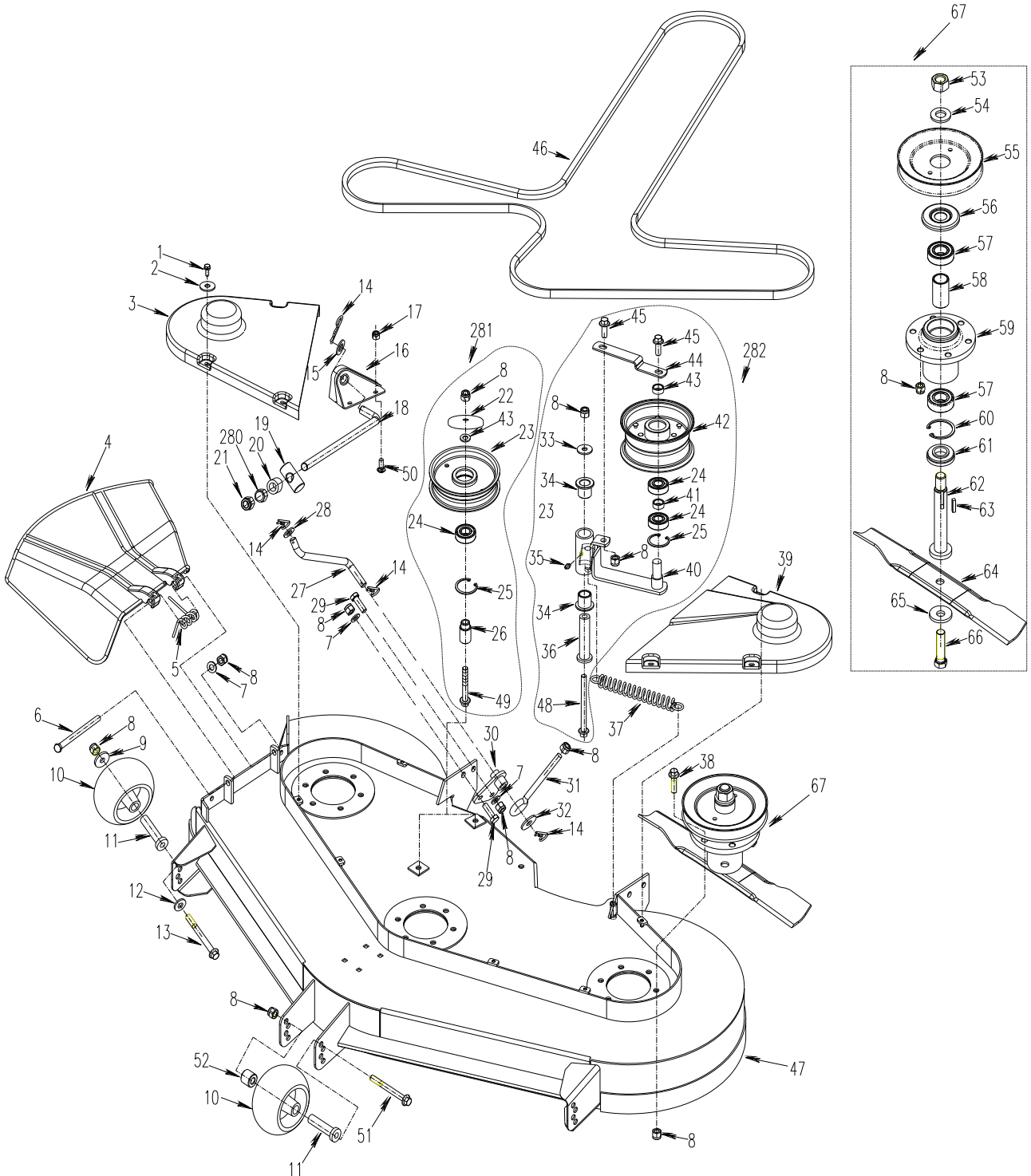




46 Mower Deck Assembly

REF.	PART NO.	DESCRIPTION	46	REF.	PART NO.	DESCRIPTION	46
1	B5783-616	Hex Hd. Bolt M6×16	×	38	B5787-1035	Bolt M10×35	×
2	B96-6	Washer M6	×	40	5001090	Deck Belt Tension Arm	×
4	5001004	Discharge Chute	×	41	5201077	Bearing Spacer	×
5	5001007	Torsion Spring	×	42	5201064	Tension Pulley	×
6	2802008	Bolt M8×160	×	43	5201078	Bearing Spacer M10	×
7	B97.1-10	Flat Washer M10	×	44	5001082	Tension Pulley Brace	×
8	B6182-10	Locknut M10	×	45	B5787-1025	Hex Hd. Bolt M10×25	×
9	5201083	Washer M10	×	48	B5787-10110	Bolt M10×110	×
10	5201081	Anti Scalp Roller	×	49	B5787-1070	Hex Hd. Bolt M10×70	×
11	5201082	Scalp Roller Bushing	×	50	B801-825	Hex Hd. Bolt M8×25	×
12	5201061	Disk Spring Washer M11	×	51	B5787-10120	Hex Hd. Bolt M10×120	×
13	B5782-10100	Bolt M10×100	×	52	3602014	Deck Wheel Spacer	×
14	5202012	Hair Pin	×	53	B6171-20	Nut M20×1.5	×
15	B97.1-14	Washer M14	×	54	5201048	Disk Spring Washer M20	×
16	5001130	Front Suspension Bracket	×	56	5201044	Top Dust Cover	×
17	B6182-8	Locknut M8	×	57	B276-6205RS	Bearing 6205-2RS	×
18	5001010	Front Deck Support Rod	×	58	5201049	Spindle Bearing Spacer	×
19	5001011	Support Rod Pivot Bushing	×	59	5201050	Spindle Housing	×
20	5001012	Support Rod Spacer	×	60	B893.1-52	Snap Ring M52	×
21	B6182-14	Nut M14	×	61	5201043	Lower Dust Guard	×
22	5201291	Bearing Cover	×	62	5001141	Spindle Shaft	×
23	5201012	Stationary Idler	×	63	B1096-B625	Key B6×25	×
24	B276-6203RS	Bearing 6203-2RS	×	65	5201042	Disk Spring Washer M16	×
25	B893.1-40	Snap Ring M40	×	66	B5785-161560	Bolt M16×1.5×60	×
26	5201011	Idler Spacer Bushing	×	73	B97.1-8	Washer M8	×
27	5001005	Deck Stabilizer Rod	×	280	B6172-14	Nut M14	×
28	B97.1-12	Flat Washer M12	×	281	5201010	Tension Pulley Assembly	×
29	B5783-1030	Hex Hd. Bolt M10×30	×	282	5001080	Tension Pulley Assembly Drive Belt	×
30	5001100	Deck Lift Bracket	×	371	4601119	Right Belt Pulley Safety Guard	×
31	5001008	Deck lift Rod	×	372	4601120	Left Belt Pulley Safety Guard	×
32	5001006	Washer M12	×	373	4601040	Deck Weldment	×
33	5001083	Washer M10	×	375	4601140	Spindle Assembly	×
34	3301003	Flange Bushing 20×26×25	×	376	4601002	Blade Drive Belt	×
35	B1152-6	Grease Fitting M6	×	377	4601110	Blade Pulley	×
36	5001081	Pivot Tensioner Mount	×	378	4601001	Blade	×
37	5207015	Deck Belt Tension Spring	×				

50 Mower Deck Assembly

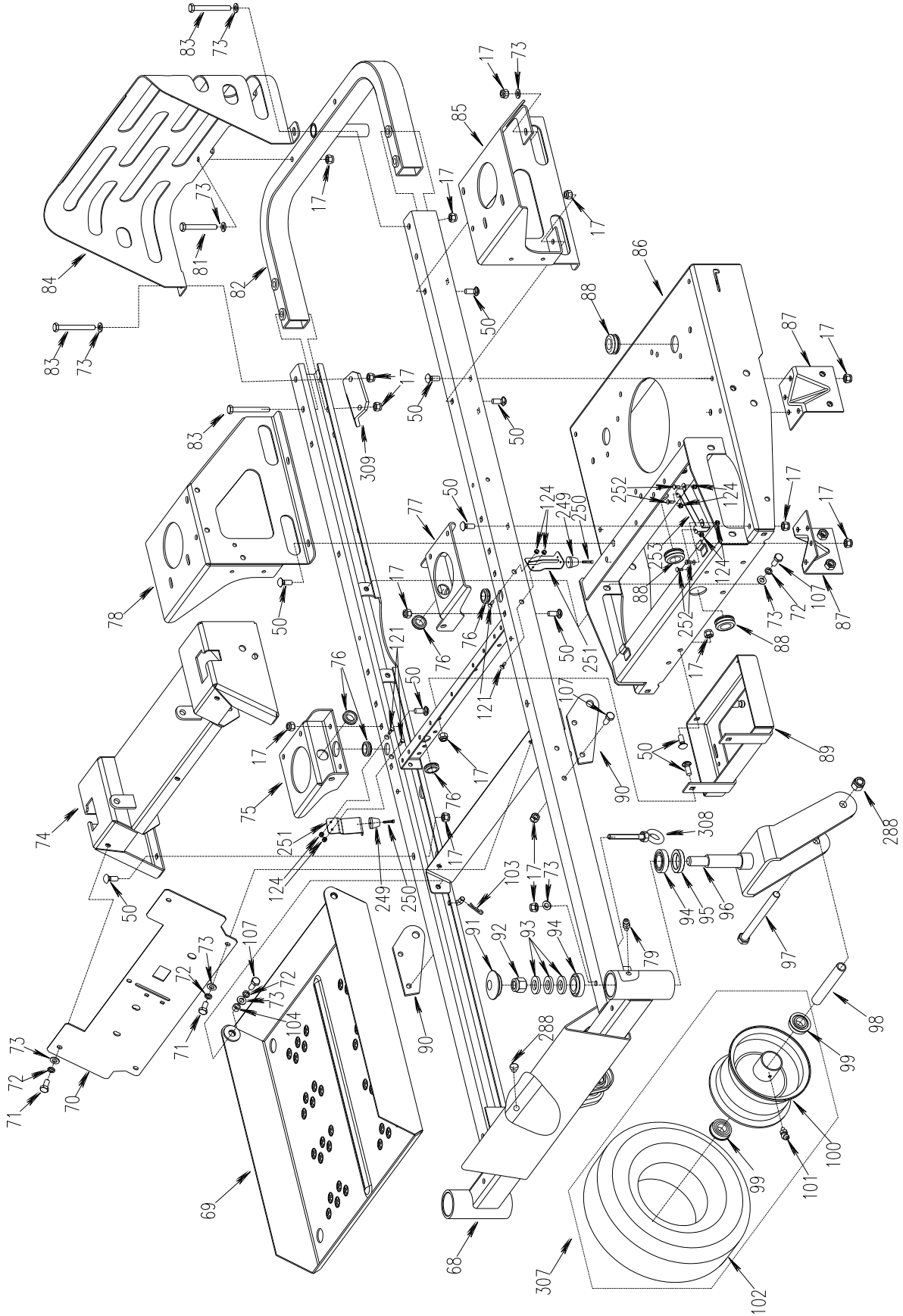




50 Mower Deck Assembly

REF.	PART NO.	DESCRIPTION	50	REF.	PART NO.	DESCRIPTION	50
1	B5783-616	Hex Hd. Bolt M6×16	×	36	5001081	Pivot Tensioner Mount	×
2	B97.1-6	Flat Washer M6	×	37	5207015	Deck Belt Tension Spring	×
3	5001016	RH Belt Cover	×	38	B5787-1035	Bolt M10×35	×
4	5001004	Discharge Chute	×	39	5001017	LH Belt Cover	×
5	5001007	Torsion Spring	×	40	5001090	Deck Belt Tension Arm	×
6	2802008	Bolt M8×160	×	41	5201077	Bearing Spacer	×
7	B97.1-10	Flat Washer M10	×	42	5201064	Tension Pulley	×
8	B6182-10	Locknut M10	×	43	5201078	Bearing Spacer M10	×
9	5201083	Washer M10	×	44	5001082	Tension Pulley Brace	×
10	5201081	Anti Scalp Roller	×	45	B5787-1025	Hex Hd. Bolt M10×25	×
11	5201082	Scalp Roller Bushing	×	46	5001002	Blade Drive Belt	×
12	5201061	Disk Spring Washer M11	×	47	5001040	Deck Weldment	×
13	B5782-10100	Bolt M10×100	×	48	B5787-10110	Bolt M10×110	×
14	5202012	Hair Pin	×	49	B5787-1070	Hex Hd. Bolt M10×70	×
15	B97.1-14	Washer M14	×	50	B801-825	Hex Hd. Bolt M8×25	×
16	5001130	Front Suspension Bracket	×	51	B5787-10120	Hex Hd. Bolt M10×120	×
17	B6182-8	Locknut M8	×	52	3602014	Deck Wheel Spacer	×
18	5001010	Front Deck Support Rod	×	53	B6171-20	Nut M20×1.5	×
19	5001011	Support Rod Pivot Bushing	×	54	5201048	Disk Spring Washer M20	×
20	5001012	Support Rod Spacer	×	55	5001110	Blade Pulley	×
21	B6182-14	Nut M14	×	56	5201044	Top Dust Cover	×
22	5201291	Bearing Cover	×	57	B276-6205RS	Bearing 6205-2RS	×
23	5201012	Stationary Idler	×	58	5201049	Spindle Bearing Spacer	×
24	B276-6203RS	Bearing 6203-2RS	×	59	5201050	Spindle Housing	×
25	B893.1-40	Snap Ring M40	×	60	B893.1-52	Snap Ring M52	×
26	5201011	Idler Spacer Bushing	×	61	5201043	Lower Dust Guard	×
27	5001005	Deck Stabilizer Rod	×	62	5001141	Spindle Shaft	×
28	B97.1-12	Flat Washer M12	×	63	B1096-B625	Key B6×25	×
29	B5783-1030	Hex Hd. Bolt M10×30	×	64	5001001	Blade	×
30	5001100	Deck Lift Bracket	×	65	5201042	Disk Spring Washer M16	×
31	5001008	Deck lift Rod	×	66	B5785-161560	Bolt M16×1.5×60	×
32	5001006	Washer M12	×	67	5001140	Spindle Assembly	×
33	5001083	Washer M10	×	280	B6172-14	Nut M14	×
34	3301003	Flange Bushing 20×26×25	×	281	5201010	Tension Pulley Assembly	×
35	B1152-6	Grease Fitting M6	×	282	5001080	Tension Pulley Assembly Drive Belt	×

Front Frame Assembly

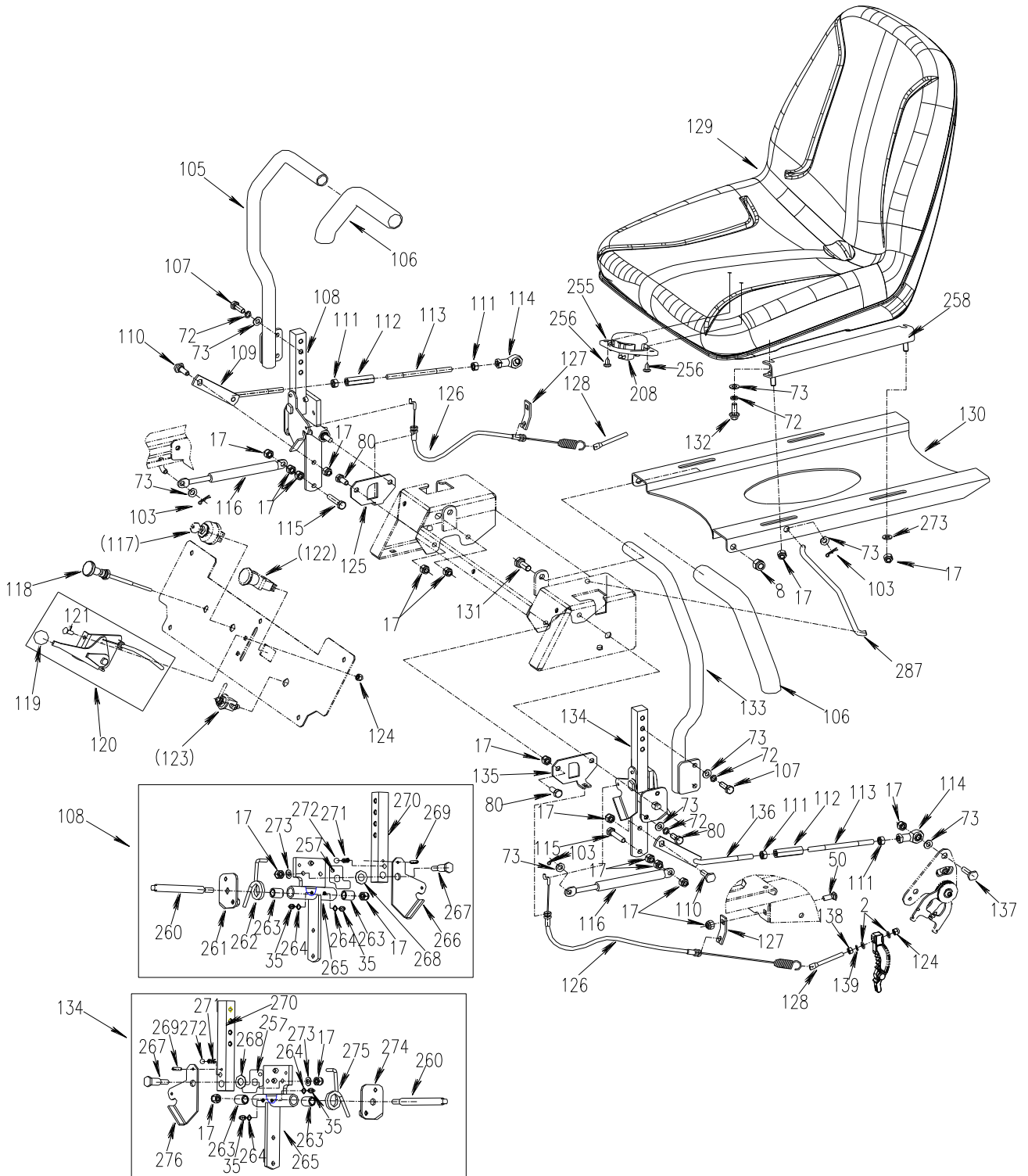




Front Frame Assembly

REF.	PART NO.	DESCRIPTION	46	50	REF.	PART NO.	DESCRIPTION	46	50
17	B6182-8	Locknut M8	×	×	92	B6182-16	Nut M16	×	×
50	B801-820	Hex Hd. Bolt M8×20	×	×	93	5002091	Spring washer M16	×	×
68	5002040	Main Frame	×	×	94	B297-32922	Bearing 329/22	×	×
69	5002170	Foot Plate	×	×	95	B9877.1-28407	Grease Seal 28×40×7	×	×
70	5002006	Control Panel	×	×	96	5002095	Caster Wheel Yoke	×	×
71	B5783-816	Hex Hd. Bolt M8×16	×	×	97	B5782-12150	Bolt M12×150	×	×
72	B93-8	Split Lock Washer M8	×	×	98	5002092	Caster Wheel Bushing	×	×
73	B97.1-8	Flat Washer M8	×	×	99	5002103	Bearing	×	×
74	5002070	Control Panel Mount	×	×	100	5002102	Rim 5×3	×	×
75	5002017	Front RH Tank Bracket	×	×	101	B1153-645	45°Grease Fitting M6	×	×
76	5002030	Rubber Bushing M20	×	×	102	5002101	Tire 11×4	×	×
77	5002016	Front LH Tank Bracket	×	×	103	XSZ56-1-17	Hair Pin	×	×
78	5002019	Rear RH Tank Bracket	×	×	104	5002007	Foot Plate Pivot Bushing	×	×
79	B1152-8	Grease Fitting M8×1	×	×	107	B5783-825	Bolt M8×25	×	×
81	B5782-860	Hex Hd. Bolt M8×60	×	×	121	B801-616	Bolt M6×16	×	×
82	5002065	Bumper	×	×	124	B6182-6	Locknut M6	×	×
83	B5782-870	Bolt M8×70	×	×	249	5201003	Bumper Block	×	×
84	5002029	Rear Engine Guard (B&S)	×	×	250	B70-630	Screw M6×30	×	×
	5002029A	Rear Engine Guard (Kawa)	×	×	251	5002261	Deck Stop	×	×
85	5002018	Rear LH Tank Bracket	×	×	252	B823-620	Bolt M6×20	×	×
86	5002060	Engine Base	×	×	253	5002265	Safety Guard	×	×
87	5002085	Frame Brace	×	×	288	B6182-12	Nut M12	×	×
88	4LZ2.16.4-04	Rubber Bushing M29	×	×	307	5002100	Front Wheel	×	×
89	5002055	Battery Tray	×	×	308	5009027	Pull Ring	×	×
90	5002002	Stabilizer Arm Mount	×	×	309	5009026	Fixed Plate	×	×
91	5002020	Caster Pivot Cap	×	×					

Control Assembly





Control Assembly

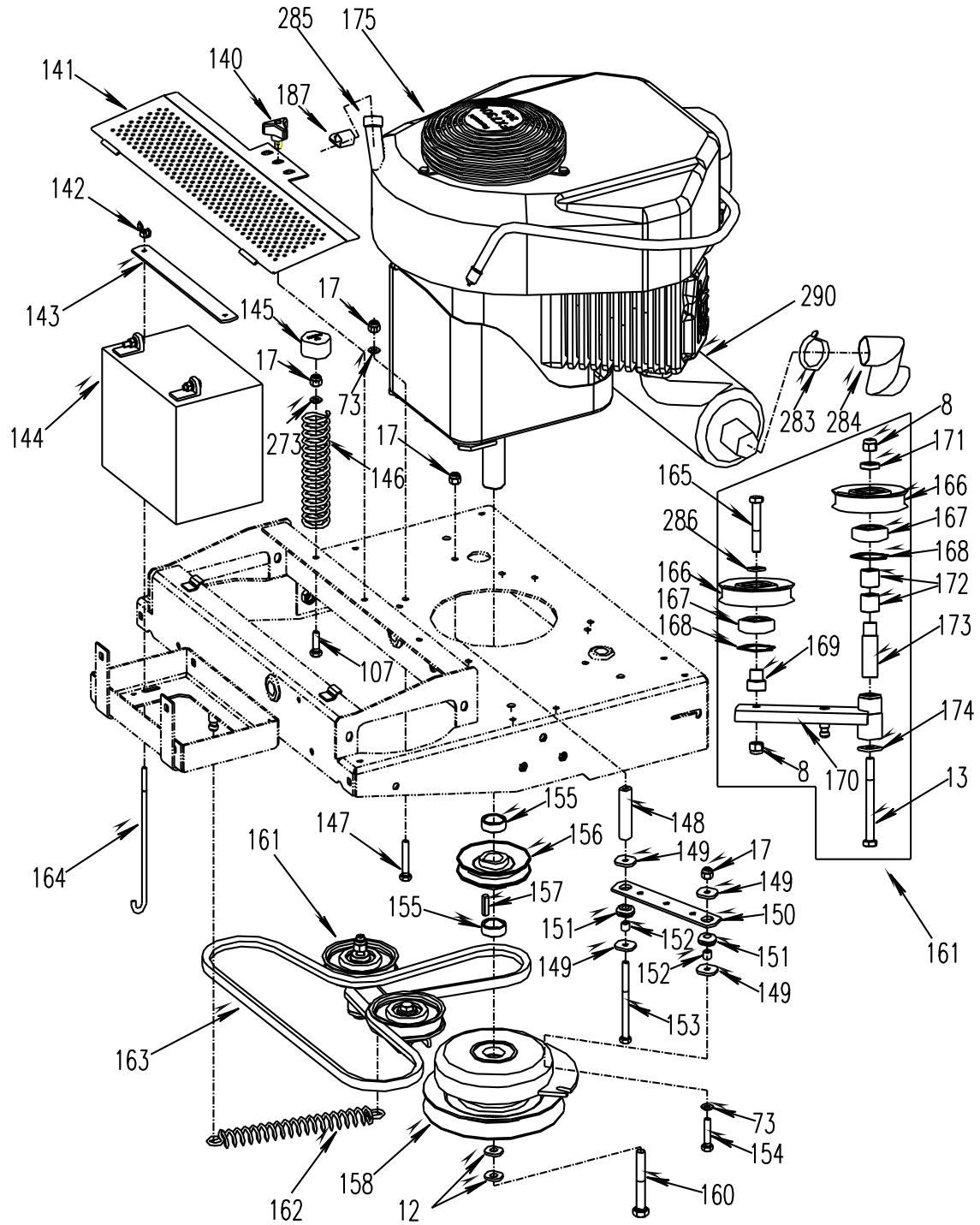
REF.	PART NO.	DESCRIPTION	46	50
2	B97.1-6	Flat Washer M6	×	×
8	B6182-10	Locknut M10	×	×
17	B6182-8	Locknut M8	×	×
35	B1152-6	Grease Fitting M6	×	×
50	B801-820	Hex Hd. Bolt M8×20	×	×
72	B93-8	Split Lock Washer M8	×	×
73	B97.1-8	Flat Washer M8	×	×
80	B5783-820	Hex Hd. Bolt M8×20	×	×
105	5002145A	Right Handle	×	×
106	5002034	Handle Grip	×	×
107	B5783-825	Hex Hd. Bolt M8×25	×	×
108	5002119	RH Handle Mount Assembly	×	×
109	5002138	RH Control link	×	×
110	5002008	Shoulder Pin	×	×
111	B6170-8	Locknut M8	×	×
112	5002134	Neutral Buckle M8	×	×
113	5002135	Screw M8	×	×
114	SIBJK 8T	Ball Joint	×	×
115	B5783-840	Hex Hd. Bolt M8×40	×	×
116	5205012	Damper	×	×
(117)	5208003	Ignition Switch	×	×
118	5002220	Choke Cable	×	×
119	3306030	Throttle Control Knob	×	×
120	3336019	Throttle Control Assembly	×	×
121	B801-616	Bolt M6×16	×	×
(122)	5208022	PTO Switch	×	×
(123)	5204015A	Three Way Valve	×	×
124	B6182-6	Locknut M6	×	×
125	5002031	Right Switch Bracket	×	×
126	5002210	Brake Cable	×	×
127	5002005	Cable Mount Bracket	×	×
128	5002026	Brake Adjustment Link	×	×
129	5000091	Seat	×	×

REF.	PART NO.	DESCRIPTION	46	50
130	5000081A	Seat Plate	×	×
131	B5783-1025	Bolt M10×25	×	×
132	3300106	Hex Hd Bolt 5/16-18UNC	×	×
133	5002140A	Left Handle	×	×
134	5002110	LH Handle Mount Assembly	×	×
135	5002032	Left Switch Bracket	×	×
136	5002131	Left Control Link	×	×
137	5002009	Axle Pin 2	×	×
138	B6170-6	Nut M6	×	×
139	B93-6	Split Lock Washer M6	×	×
208	5008003	Plunger Switch	×	×
255	5000016A	Seat Switch	×	×
256	B845-ST6312	Screw ST6.3×12	×	×
257	5002270	Washer	×	×
258	5000083	Seat Rail	×	×
260	5002111	Pivot Shaft	×	×
261	5002129	Stop Bracket RH Torsion Spring	×	×
262	5002118	Torsion Spring, RH	×	×
263	B2685-121618	Bearing 12×16×18	×	×
264	B861.1-6	Washer M6	×	×
265	5002120	Pivot Block Weldment	×	×
266	5002116	Right Brake Panel	×	×
267	5002112	Operating Pin Roll	×	×
268	2806061	Washer M12	×	×
269	B897-520	Pin 5×20	×	×
270	5002113	Handle Mount Block	×	×
271	5002114	Spring	×	×
272	B308-4	Steel Ball SR4	×	×
273	2800006	Washer M8	×	×
274	5002125	Stop Bracket LH Torsion Spring	×	×
275	5002117	Torsion Spring, LH	×	×
276	5002115	Left Brake Panel	×	×
287	5000002	Seat Pull Rod	×	×



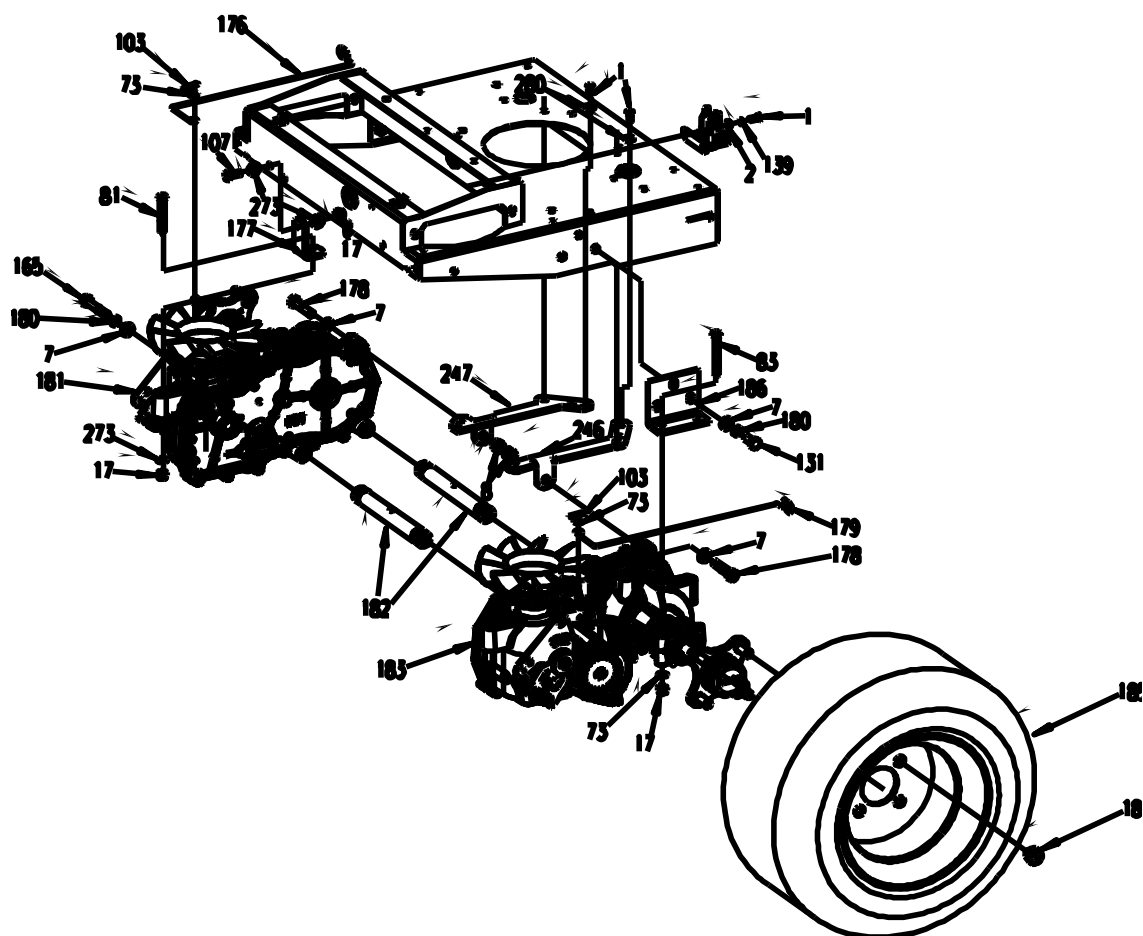
WORLDLAWN®

Engine Assembly



REF.	PART NO.	DESCRIPTION	46	50	REF.	PART NO.	DESCRIPTION	46	50
8	B6182-10	Locknut M10	×	×	160	5203412	Bolt 7/16-20UNF×3	×	×
13	B5782-10100	Bolt M10×100	×	×	161	5002160	Tension Pulley Assembly	×	×
17	B6182-8	Locknut M8	×	×	162	4806004	Tension Pulley Spring	×	×
73	B97.1-8	Flat Washer M8	×	×	163	5002004	Pump Drive Belt	×	×
107	B5783-825	Hex Hd Bolt M8×25	×	×	164	5208203	Battery Clamp Bolt	×	×
140	3302190	Three Arm Knob	×	×	165	B5782-1060	Bolt M10×60	×	×
141	5002195	Fan Cover	×	×	166	5002175	Tension Idler	×	×
142	B62-6	Wing Nut M6	×	×	167	B276-6303RS	Bearing 6303-2RS	×	×
143	3203004	Battery Strap	×	×	168	B893.2-47	Snap Ring M47	×	×
144	5208002	Battery 12V 33AH	×	×	169	5002161	Tension Pulley Spacer	×	×
145	5203045	Spring Cap	×	×	170	5002165	Pump Tension Arm	×	×
146	5002022	Spring	×	×	171	5002164	Tension Idler Spacer M10	×	×
147	B5783-845	Bolt M8×45	×	×	172	B2685-202420	Bearing 20×24×20	×	×
148	5002159	Clutch Stop Spacer	×	×	173	5002163	Pivot Bushing	×	×
149	5203408	Washer M8	×	×	174	3307004	Washer M11	×	×
150	5203411	Clutch Stop Strap	×	×	175		Kawasaki Engine	×	×
151	5203410	Rubber Washer M17	×	×			BS Engine	×	×
152	5203409	Clutch Stop Spacer	×	×	187	3601020	Wire Clamp (Kawasaki)	×	×
153	B5782-8100	Bolt M8×100	×	×	273	2800006	Washer M8	×	×
154	B5783-835	Hex Hd Bolt M8×35	×	×	283	B8870-50	Hose clamp 32-50	×	×
155	3607002	Engine Shaft Spacer	×	×	284	5002240	Muffler Adaptor (B&S)	×	×
156	5002152	Pump Drive Pulley	×	×	285	5203420	Oil Drain Pipe (Kawa)	×	×
157	5203405	Key 6.35×25	×	×	286	3302058	Washer M10	×	×
158	4804005	Electric Clutch	×	×	290	5002268	Muffler (Kawasaki FR)	×	×
12	5201061	Washer	×	×					

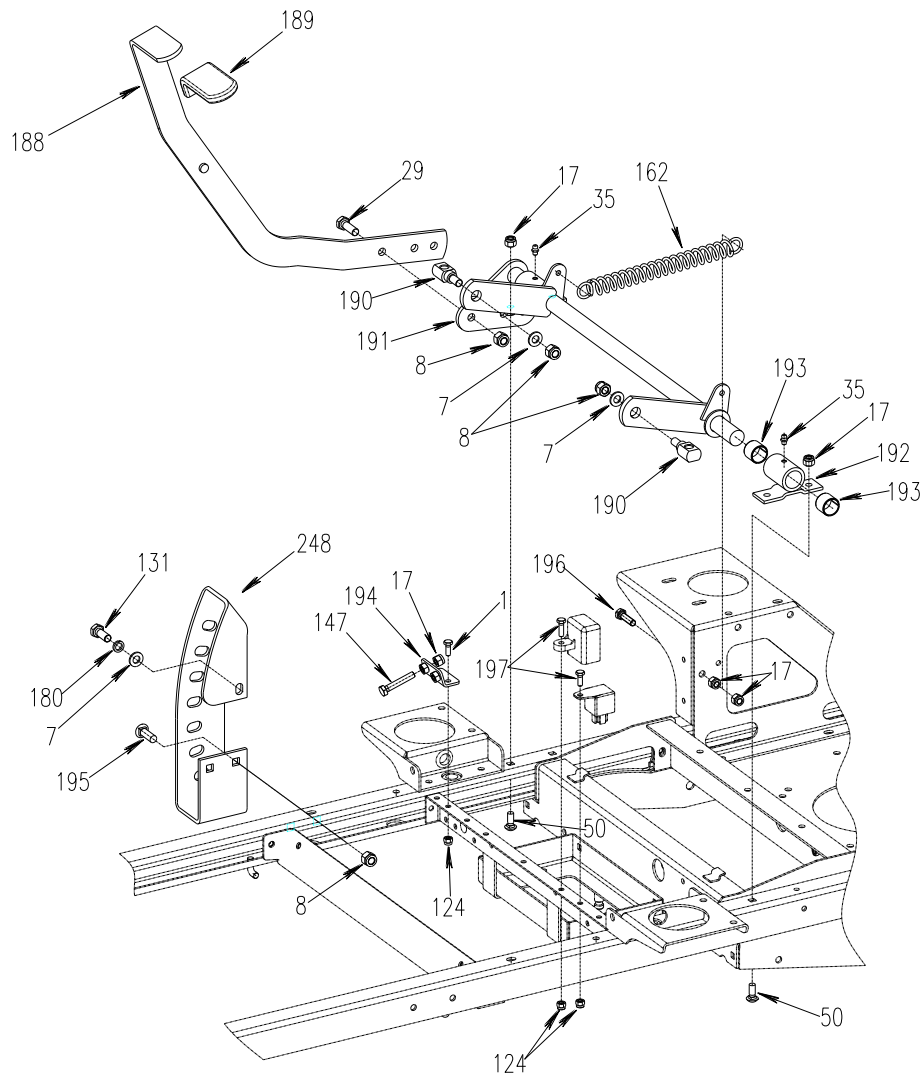
Driving System



REF.	PART NO.	DESCRIPTION	46	50
1	B5783-616	Hex Hd Bolt M6×16	×	×
2	B97.1-6	Flat Washer M6	×	×
7	B97.1-10	Flat Washer M10	×	×
17	B6182-8	Locknut M8	×	×
73	B97.1-8	Flat Washer M8	×	×
81	B5782-860	Hex Hd Bolt M8×60	×	×
83	B5782-870	Bolt M8×70	×	×
103	XSZ56-1-17	Hair Pin	×	×
107	B5783-825	Bolt M8×25	×	×
131	B5783-1025	Bolt M10×25	×	×
139	B93-6	Split Lock Washer M6	×	×
165	B5782-1060	Bolt M10×60	×	×
176	5002024	Right Pressure Relief Rod	×	×
177	5002012	Fixed Plate, Front	×	×

REF.	PART NO.	DESCRIPTION	46	50
178	B5782-1050	Bolt M10×50	×	×
179	5002023	Left Pressure Relief Rod	×	×
180	B93-10	Washer M10	×	×
181	5002011	Right Drive Axle	×	×
182	5002080	Axle Weldment	×	×
183	5002010	Left Drive Axle	×	×
184	5000001	Nut 1/2-20UNF	×	×
185	5000050	Tire 18×9.5-8	×	×
186	5002013	Outer Axle Mounting Bracket	×	×
246	5002014	Left Inner Axle Mounting Bracket	×	×
247	5002015	Right Inner Axle Mounting Bracket	×	×
273	2800006	Washer	×	×
280	2802183	Washer M6	×	×

Mower Deck Height Adjustment

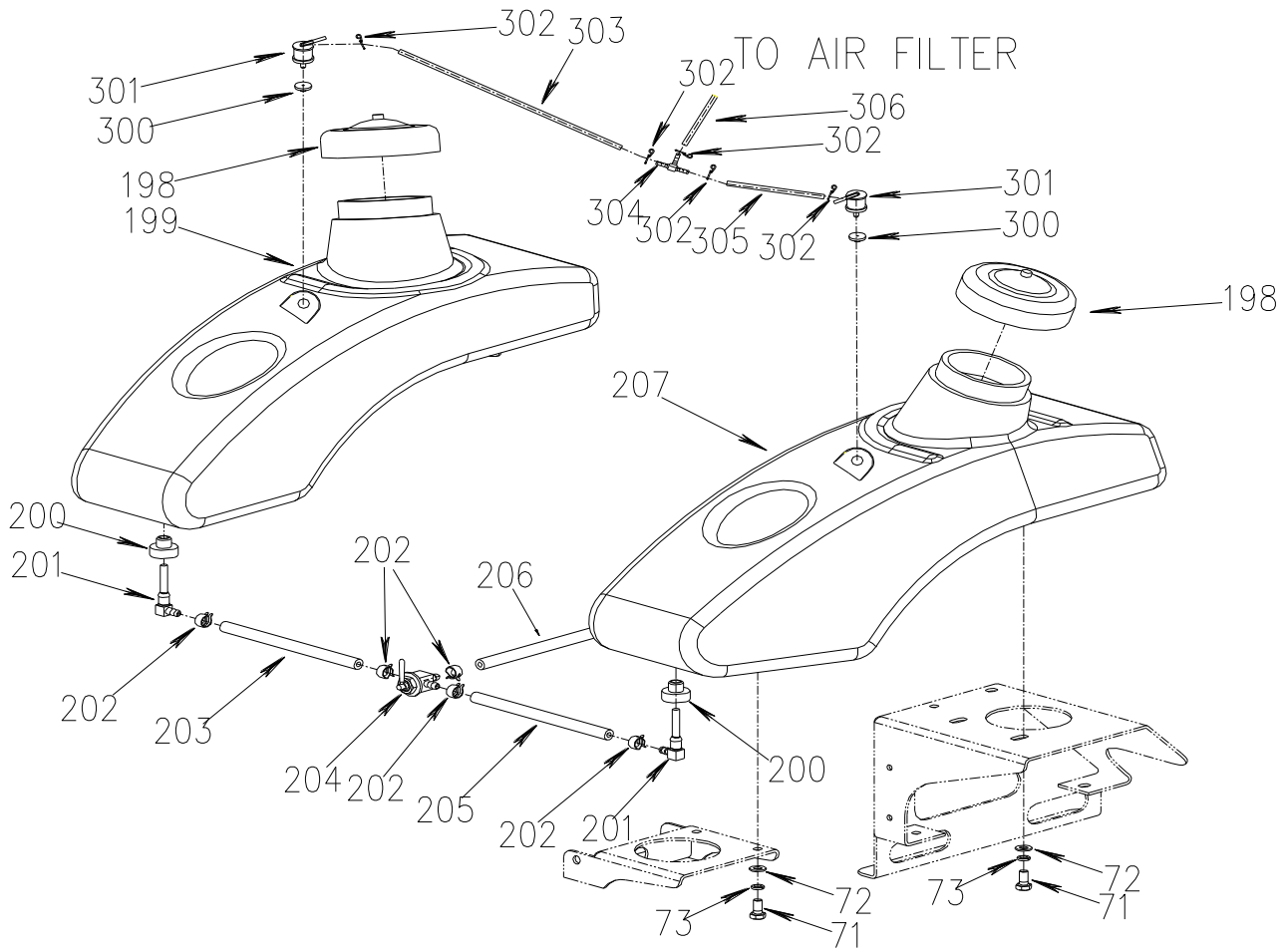


REF.	PART NO.	DESCRIPTION	46	50	REF.	PART NO.	DESCRIPTION	46	50
1	B5783-616	Hex Hd Bolt M6×16	×	×	188	5002190	Lift Lever	×	×
7	B97.1-10	Flat Washer M10	×	×	189	5002025	Handle Grip	×	×
8	B6182-10	Locknut M10	×	×	190	5002001	Swivel	×	×
17	B6182-8	Locknut M8	×	×	191	5002180	Deck Lift Shaft Weldment	×	×
29	B5783-1030	Hex Hd Bolt M10×30	×	×	192	5002185	Lift Shaft Mount	×	×
35	B1152-6	Grease Fitting M6	×	×	193	B12613-252220	Bushing 25×22×20	×	×
50	B801-820	Hex Hd Bolt M8×20	×	×	194	5002250	Tracking Plate	×	×
124	B6182-6	Locknut M6	×	×	195	B801-1030	Bolt M10×30	×	×
131	B5783-1025	Bolt M10×25	×	×	196	B5783-830	Bolt M8×30	×	×
147	B5783-845	Bolt M8×45	×	×	197	B5783-620	Hex Hd Bolt M6×20	×	×
162	4806004	Deck Lift Assist Spring	×	×	248	5002021	Cutting Height Bracket		×
180	B93-10	Washer 10	×	×		4602021	Cutting Height Bracket	×	



WORLDLAWN®

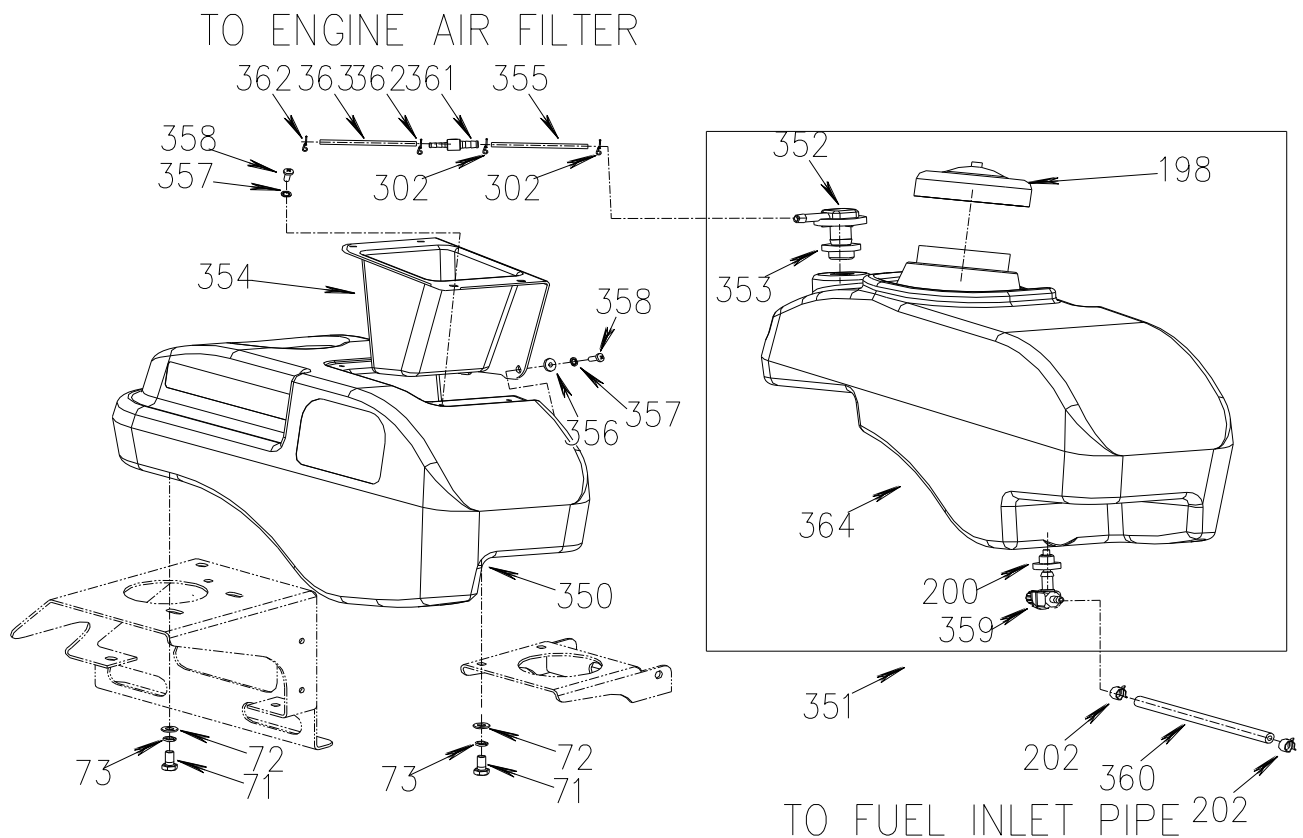
Fuel Tank Assembly 1



REF.	PART NO.	DESCRIPTION	46	50
71	B5783-816	Hex Hd Bolt M8×16	×	×
72	B93-8	Flat Washer M8	×	×
73	B97.1-8	Lock Washer M8	×	×
198	5204019	Fuel Tank Cap	×	×
199	5000101E	Right Fuel Tank	×	×
200	3307023B	Grommet	×	×
201	5204016	Right-Angle Connector	×	×
202	B8870-16	Hose Clamp 10-16	×	×
203	5000104E	Fuel Line 750	×	×
204	5204015A	3-Way Valve	×	×
205	5000103E	Fuel Line 450	×	×

REF.	PART NO.	DESCRIPTION	46	50
206	5000105E	Fuel Line 1150 (B&S)	×	×
	5000106E	Fuel Line 1470 (Kawasaki)	×	×
207	5000102E	Left Fuel Tank	×	×
300	2807102	Rubber Grommet	×	×
301	2807101	Roll-Over Valve Vent	×	×
302	3307041	Clamp	×	×
303	5000112	Fuel Line 500 (φ 8.5×2)	×	×
304	5204010	Adaptor	×	×
305	5000111	Fuel Line 760 (φ 8.5×2)	×	×
306	5000113	Fuel Line 580 (φ 8.5×2)	×	×
	5000116	Fuel Line 680 (φ 8.5×2)	×	×

Some machines are equipped with Fuel Tank Assembly 2



REF.	PART NO.	DESCRIPTION	46	50
71	B5783-816	Hex Hd Bolt M8×16	×	×
72	B93-8	Flat Washer M8	×	×
73	B97.1-8	Lock Washer M8	×	×
198	5204019	Fuel Tank Cap	×	×
200	3307023B	Grommet	×	×
202	B8870-16	Hose Clamp 10-16	×	×
302	12105-1P68F5-0000	Flexible Clamp	×	×
350	5000124	Right Fender	×	×
351	5000121	Left Fuel Tank Assembly	×	×
352	363411	Vent Valve	×	×
353	363412	Vent Grommet	×	×

REF.	PART NO.	DESCRIPTION	46	50
354	5000128	Storage Tray	×	×
355	5000140	Fuel Line (Φ8.5×2)	×	×
356	5204044	Washer	×	×
357	B861.1-5	Washer M5	×	×
358	5204045	British Bolt 10-32UNC×1/2	×	×
359	393044	Right-angle Switch Valve	×	×
360	5000141	Fuel Line	×	×
361	5000130	Adaptor	×	×
362	3307041	Clamp	×	×
363	5000142	Fuel Line	×	×
364	5000123	Left Fuel Tank	×	×

Decals



<p>220</p>	<p>221</p>	<p>222</p>	<p>223</p>	<p>233</p>	<p>236</p>
<p>245</p>	<p>227</p>	<p>229</p>	<p>228</p>	<p>230</p>	
<p>238</p>		<p>239</p>	<p>232</p>		
<p>238</p>		<p>241</p>	<p>225</p>		
<p>226</p>	<p>235</p>		<p>234</p>		
<p>224</p>	<p>231</p>	<p>402</p>	<p>240</p>		
<p>242</p>	<p>243</p>	<p>244</p>			
	<p>401</p>	<p>237</p>			

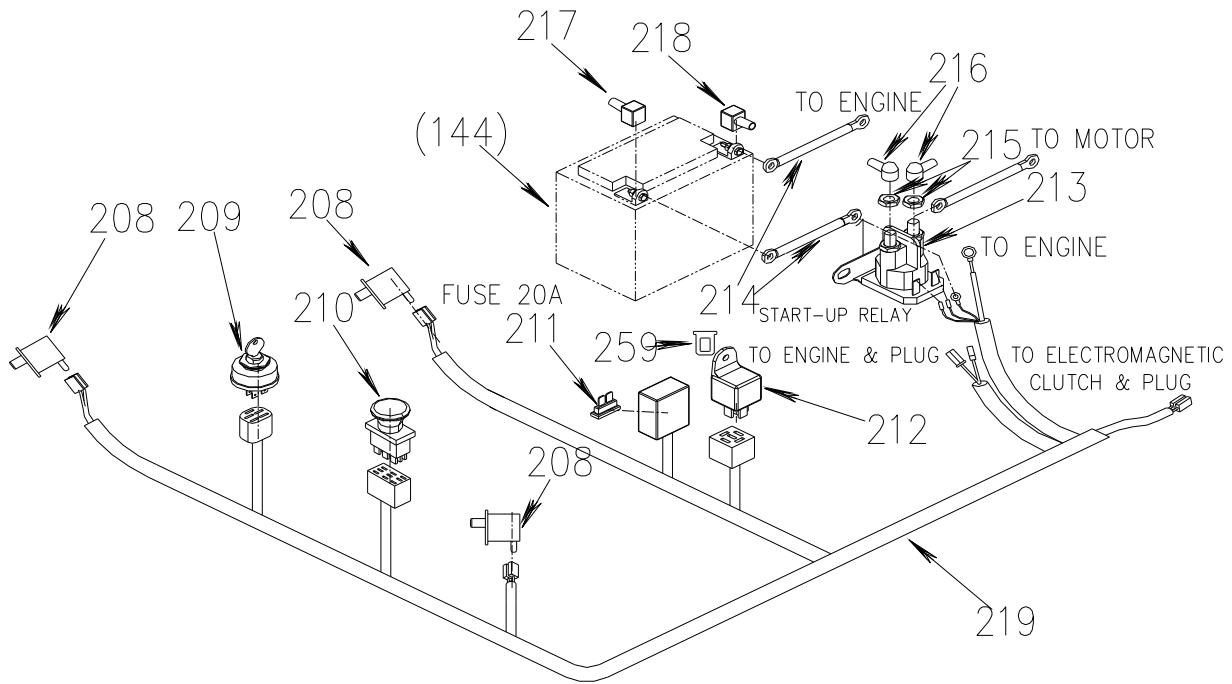


Decals

REF.	PART NO.	DESCRIPTION	46	50
220	8502	Ignition Switch Decal	×	×
221	8503	PTO Run Stop Decal	×	×
222	8504	Fuel Valve Decal	×	×
223	8507	Choke Decal	×	×
224	8500	Viper Logo	×	×
225	8303	Caution Guard	×	×
226	8375	WORLD Logo	×	×
227	8514	Cutting Height Inner	×	×
228	8517	Cutting Height Locator	×	×
229	8516	Transaxle Release LH	×	×
230	8518	Transaxle Release RH	×	×
231	8046	Serial Plate	×	×
232	8318	Rear Guard	×	×
233	8508	Motion Control LH	×	×

REF.	PART NO.	DESCRIPTION	46	50
234	8307	Discharge Warning	×	×
235	8519	Operational Warning	×	×
236	8512	Motion Control RH	×	×
237	8325	Danger Blades	×	×
238	8515	Rotating Parts	×	×
239	8501	International Logo	×	×
240	8513	Decal 50"		×
241	8511	Deck Belt Routing	×	×
242	8308	Shield Warning	×	×
243	8305	Danger Foot Plate	×	×
244	8341	Worldlawn logo	×	×
245	8510	Cutting Height Outer	×	×
401	8602	EPA Label	×	×
402	8606	Decal 46"	×	

Electrical System



REF.	PART NO.	DESCRIPTION	46	50
208	5008003	Switch (Normal Open)	×	×
209	5208003	Ignition Switch	×	×
210	5208022	PTO Switch	×	×
211	5208007	Fuse 20A	×	×
212	5208011	Relay 12V	×	×
213	5208043	Starter Relay	×	×
214	5208004	Battery Cables (+550)	×	×
215	5008005	Nut 5/16-24UNF	×	×

REF.	PART NO.	DESCRIPTION	46	50
216	2808107	Relay Cable Cover	×	×
217	3312032	Cover (positive)	×	×
218	3312031	Cover (negative)	×	×
219	5008001	Wiring Harness (B&S)	×	×
	5008009	Wiring Harness (Kawasaki)	×	×
259	5008012	Relay	×	×
(144)	5208002	Battery 12V 33AH	×	×



WORLDLAWN®

Worldlawn Power Equipment, Inc.

Industrial Park 2415 Ashland Ave. Beatrice, NE 68310

Phone: (402) 228-4255

Fax: (402) 223-4103

www.worldlawnpowerequipment.com