



PARTS MANUAL

WYS52FX730V

FOR SERIAL NUMBERS 21304U00192 THROUGH 201308U00534



WORLDLAWN POWER EQUIPMENT, INC.

WORLDLAWNPOWEREQUIPMENT.COM

2415 ASHLAND AVE

BEATRICE, NE 68310

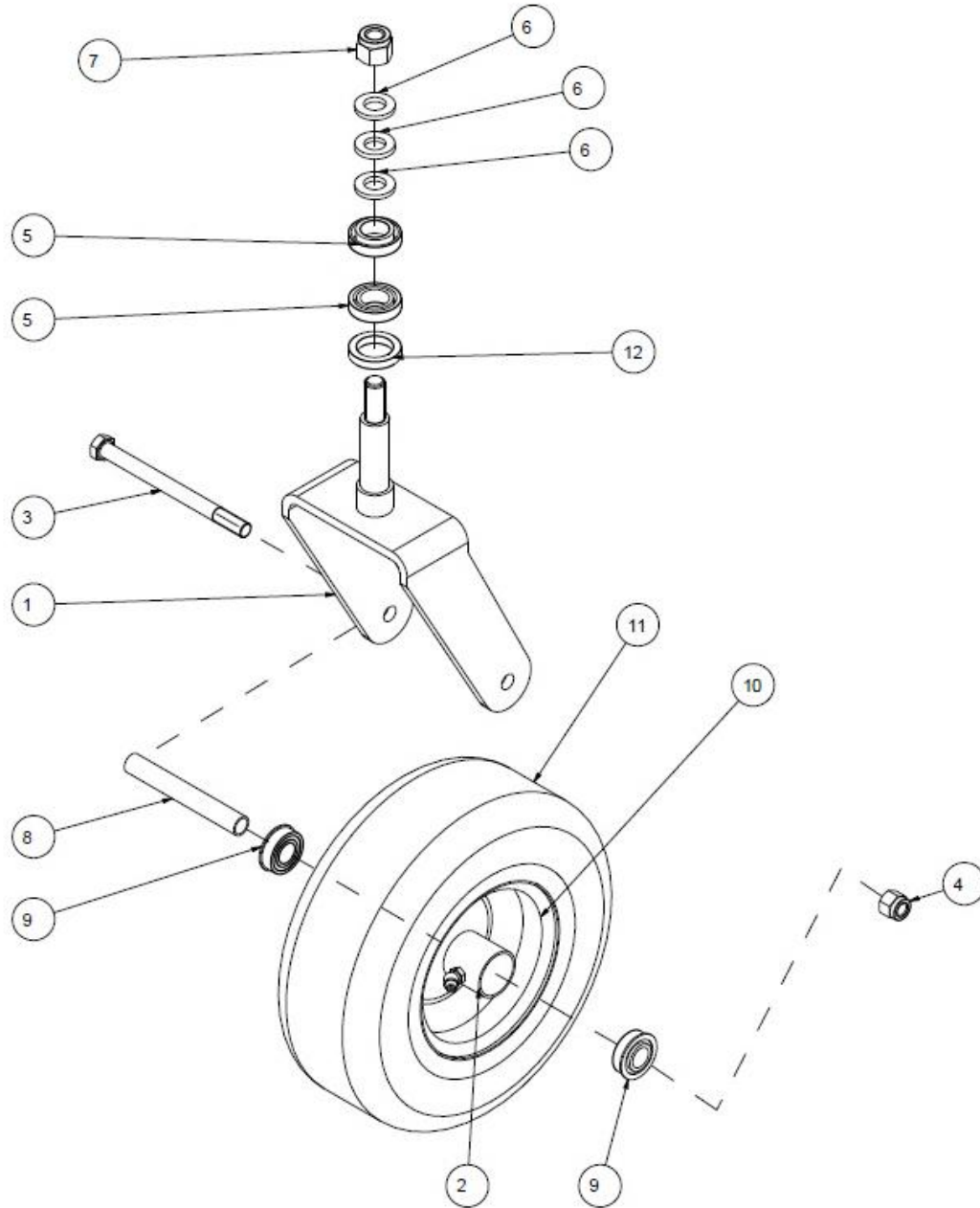
800-267-4255

FAX – 402-223-4103

Contents

CASTER ASSEMBLY	5
FRONT FRAME.....	7
CONTROL ASSEMBLY LH.....	9
CONTROL ASSEMBLY RH	10
UPPER HANDLE ASSEMBLY.....	11
UPPER FRAME GROUP.....	13
IDLER PULLEY ASSEMBLY	15
FUEL TANK ASSEMBLY.....	16
FUEL TANK STRAP UPDATE KIT	17
PUMP IDLER ASSEMBLY	18
52” DECK ASSEMBLY	20
LOWER DECK IDLER ASSEMBLY	22
UPPER DECK IDLER ASSEMBLY	24
SULKY/BRAKE GROUP	26
ENGINE GROUP.....	28
HYDRO GROUP.....	30
DECAL GROUP	32

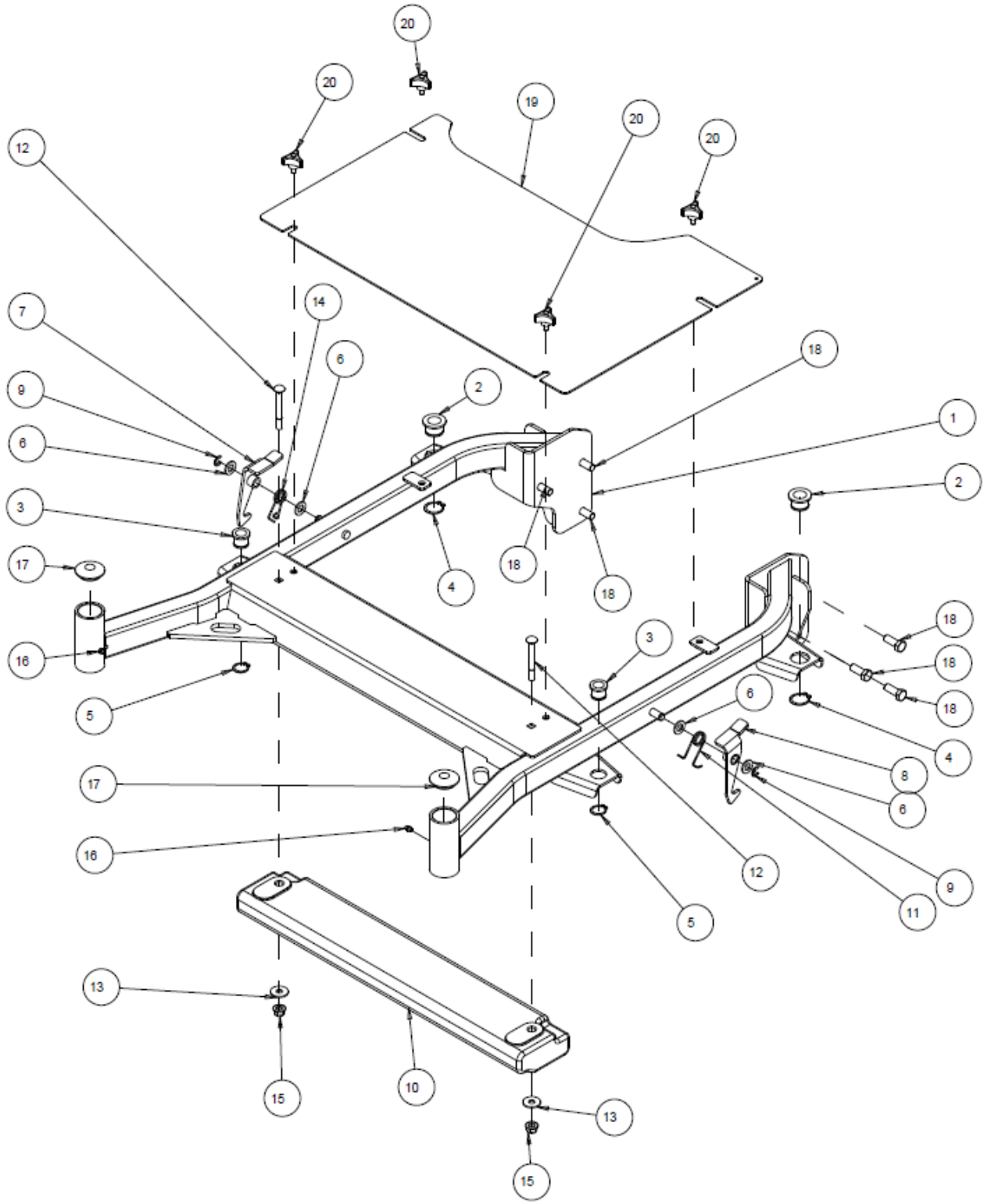
CASTER ASSEMBLY



CASTER ASSEMBLY

ITEM	PART NO.	DESCRIPTION
1	5002095	CASTER YOKE WELDMENT
2	5002100	CASTER WHEEL COMPLETE W/BEARINGS
3	B5782-12150	BOLT M12 X 150
4	B6182-12	LOCKNUT M12
5	B297-32922	BEARING
6	5002091	SPRING WASHER – A40
7	B6182-16	LOCKNUT M16
8	5002092	CASTER TUBE
9	5002103	CASTER WHEEL BEARING
10	5002101	TIRE
11	5002102	RIM
12	B9877.1-28407	SEAL

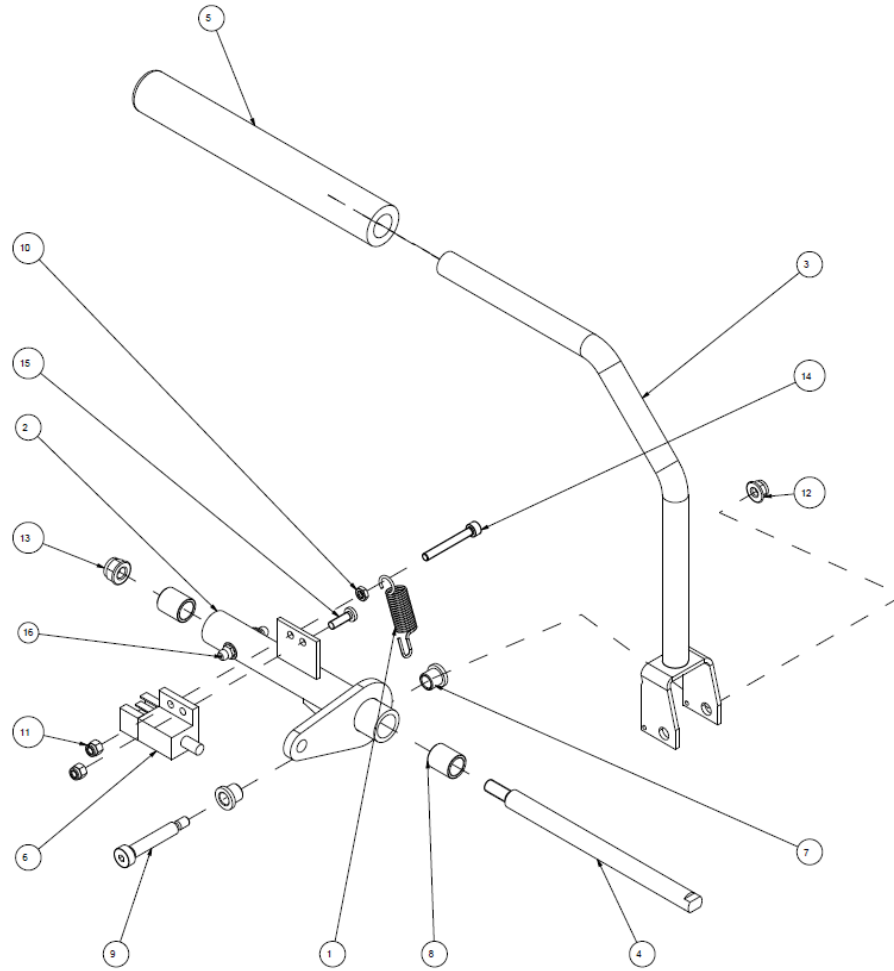
FRONT FRAME



FRONT FRAME

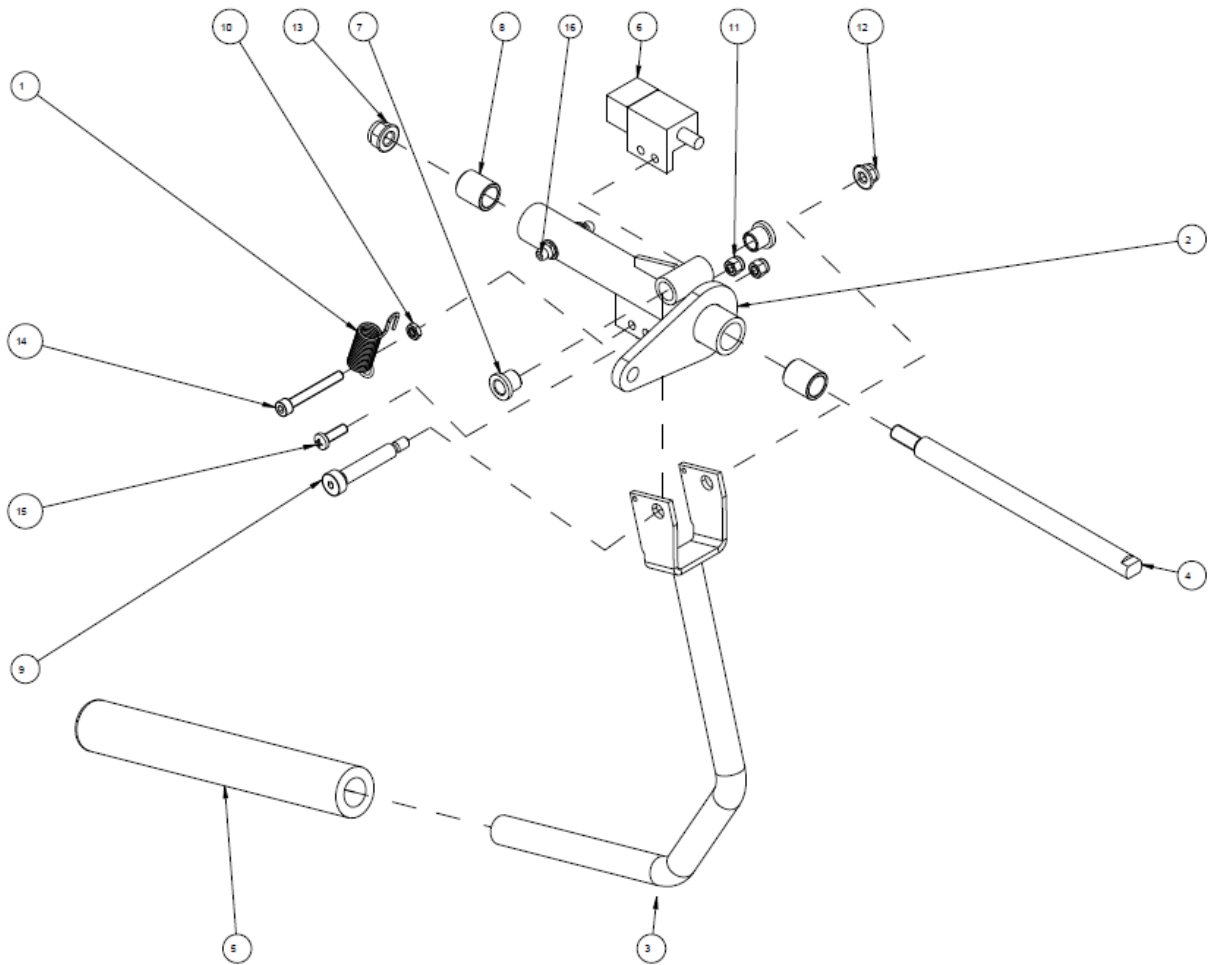
ITEM	PART NO.	DESCRIPTION
1	452084-2	FRONT FRAME WELDMENT
2	3601016	REAR BUSHING
3	3601015	FRONT BUSHING
4	B894.2-30	SNAP RING
5	B894.2-24	SNAP RING
6	B97.1-12	WASHER M12
7	452086	LATCH WELDMENT, RH
8	452085	LATCH WELDMENT, LH
9	B896-9	SNAP RING 9
10	453347	COUNTERWEIGHT
11	453352	SPRING
12	B801-1080	CARRIAGE BOLT SN M10X80
13	B96-10	FLAT WASHER M10
14	453353	SPRING
15	B6187-10	LOCKNUT M10
16	B1152-8	GREASE FITTING M8
17	5002020	DUST CAP
18	B5782-1230	SCREW, HH M12X30
19	452141	CENTER BELT SHIELD – BLACK
20	3302190	KNOB

CONTROL ASSEMBLY LH



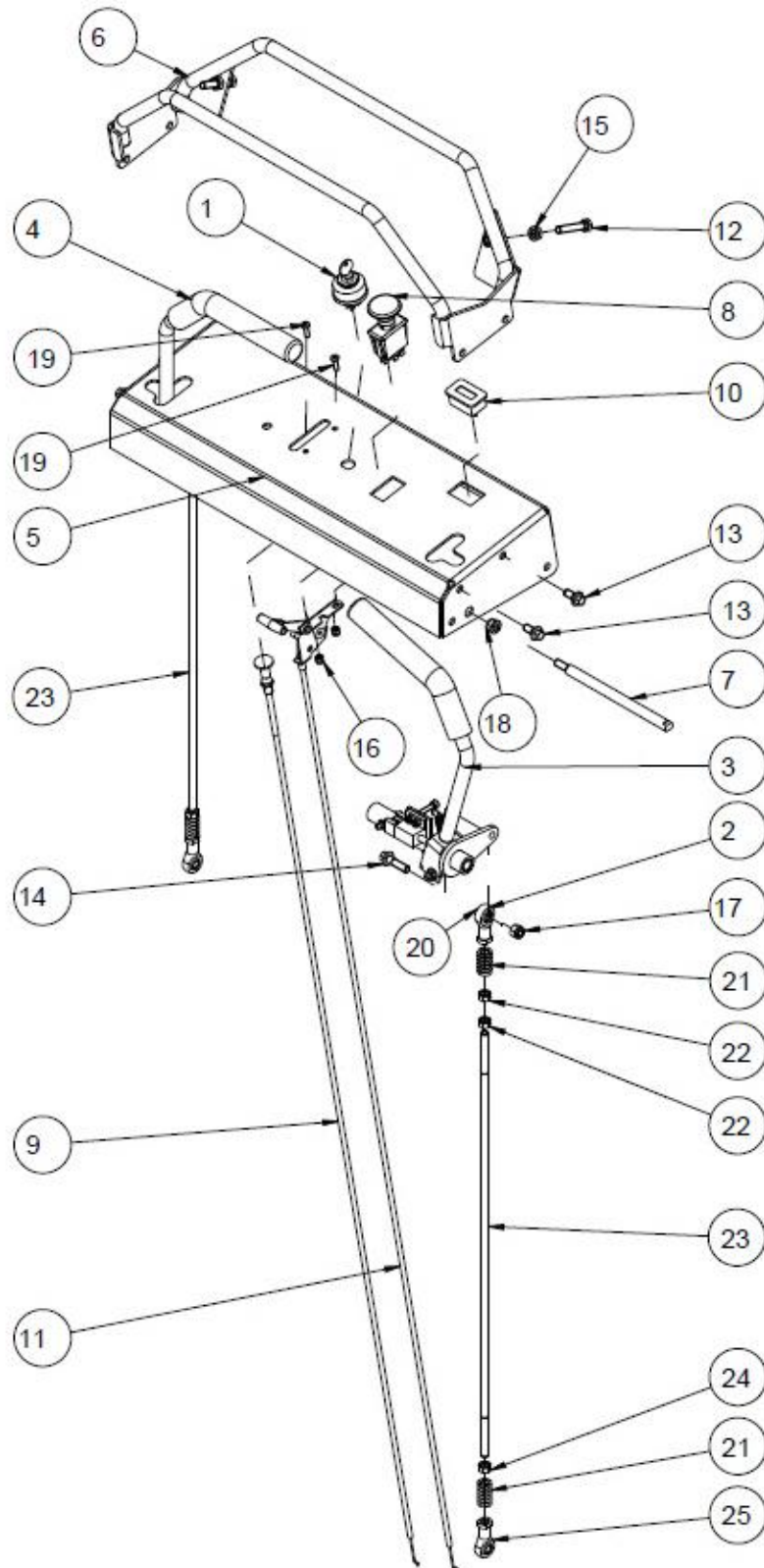
ITEM	PART NO.	DESCRIPTION
1	363155	SPRING
2	452080	CONTROL WLDMT LH W/ZERK
3	452081	HANDLE W/GRIP
4	453237	PIN, CONTROL PIVOT
5	453238	GRIP, MOTION CONTROL
6	453358	SWITCH, DELTA
7	2806010	NYLON BUSHING
8	B2685-121618	OILITE BRONZE BEARING
9	B5281-840	SHOULDER BOLT
10	B6172-5	NUT M5
11	B6182-5	LOCKNUT M5
12	B6187-6	LOCKNUT M6
13	B6187-8	LOCKNUT M8
14	B70-540	SCREW M5 X 40
15	B823-516	SCREW M5 X 16
16	B1152-6	GREASE FITTING M6

CONTROL ASSEMBLY RH



ITEM	PART NO.	DESCRIPTION
1	363155	SPRING
2	452079	CNTROL WLDMT RH W/ZERK
3	452081	HANDLE W/GRIP
4	453237	PIN, CONTROL PIVOT
5	453238	GRIP, MOTION CONTROL
6	453358	SWITCH, DELTA
7	2806010	NYLON BUSHING
8	B2685-121618	OILITE BRONZE BEARING
9	B5281-840	SHOULDER BOLT
10	B6172-5	NUT M5
11	B6182-5	LOCKNUT M5
12	B6187-6	LOCKNUT M6
13	B6187-8	LOCKNUT M8
14	B70-540	SCREW M5 X 40
15	B823-516	SCREW M5 X 16
16	B1152-6	GREASE FITTING M6

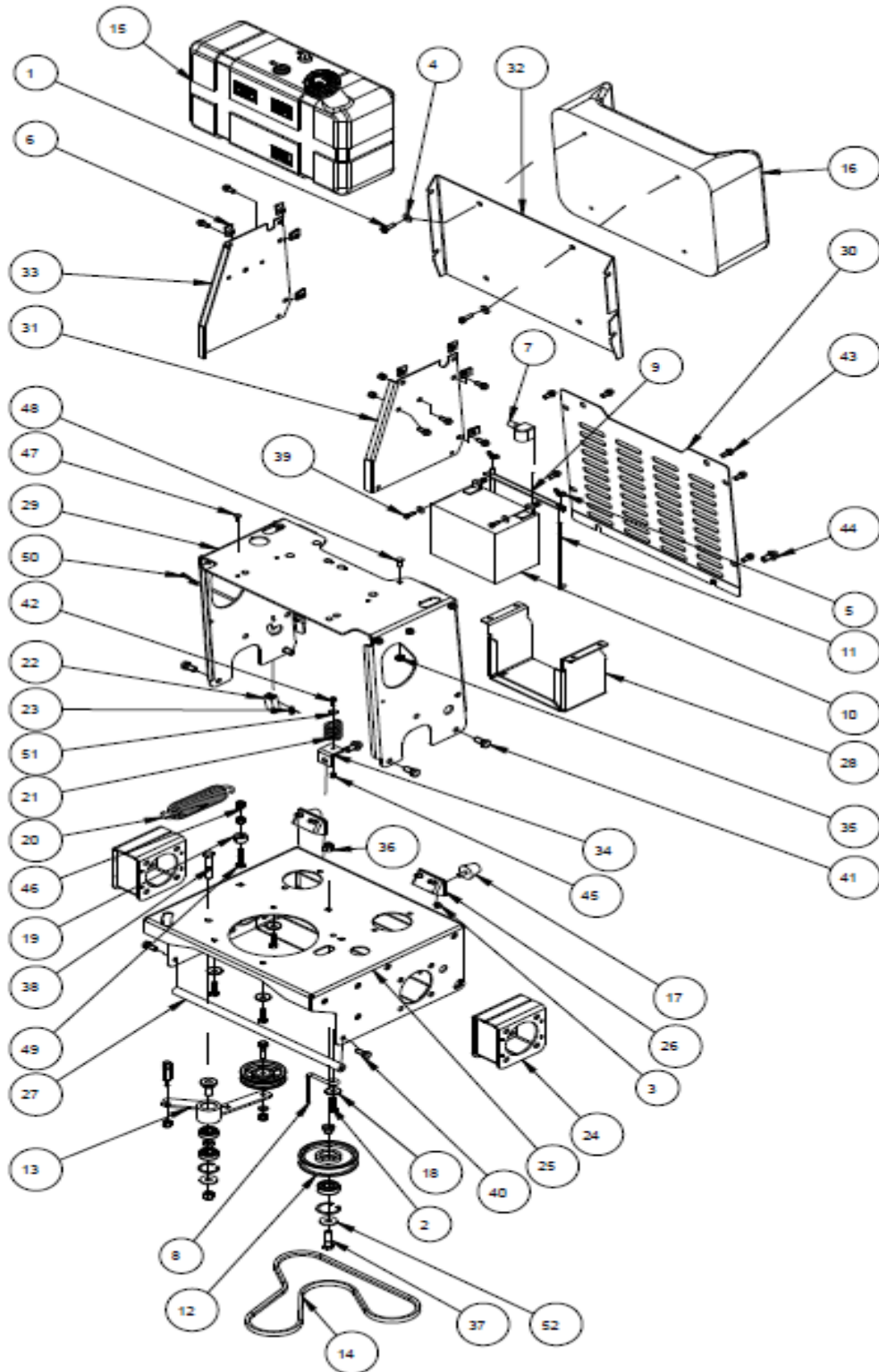
UPPER HANDLE ASSEMBLY



UPPER HANDLE ASSEMBLY

ITEM	PART NO.	DESCRIPTION
1	423027	SWITCH, KEY
2	452075	CONTROL ROD ASSEMBLY, COMPLETE
3	452082	CONTROL ASSEMBLY RH, COMPLETE
4	452083	CONTROL ASSEMBLY LH, COMPLETE
5	452124	CONSOLE WITH DECAL
6	452115	REFERENCE BAR WELDMENT
7	453237	PIN, CONTROL PIVOT
8	523031	SWITCH, BLADE
9	523037	CABLE, CHOKE
10	523283	HOURMETER
11	593043	CABLE, THROTTLE
12	B5787-845	SCREW, HH TAP M8X45
13	B5787-816	SCREW, HH FLANGED M8X16
14	B5787-830	SCREW, HH FLANGED M8X30
15	B6177-8	NUT, SERRATED FLANGE M8
16	B6182-5	NUT, NYLOC M5
17	B6182-8	NUT, NYLOC M8
18	B6187-8	LOCKNUT M8
19	B823-516	SCREW, PAN HEAD PHILLIPS M5X16
20	5205017	SPHERICAL ROD END LH, M8, SILBJK85
21	5205003	SPRING
22	B6171-8L	NUT M8 LH
23	453229	CONTROL ROD
24	B6171-8	NUT M8
25	5205016	SPHERICAL ROD ENG, M8, SIBJK8S

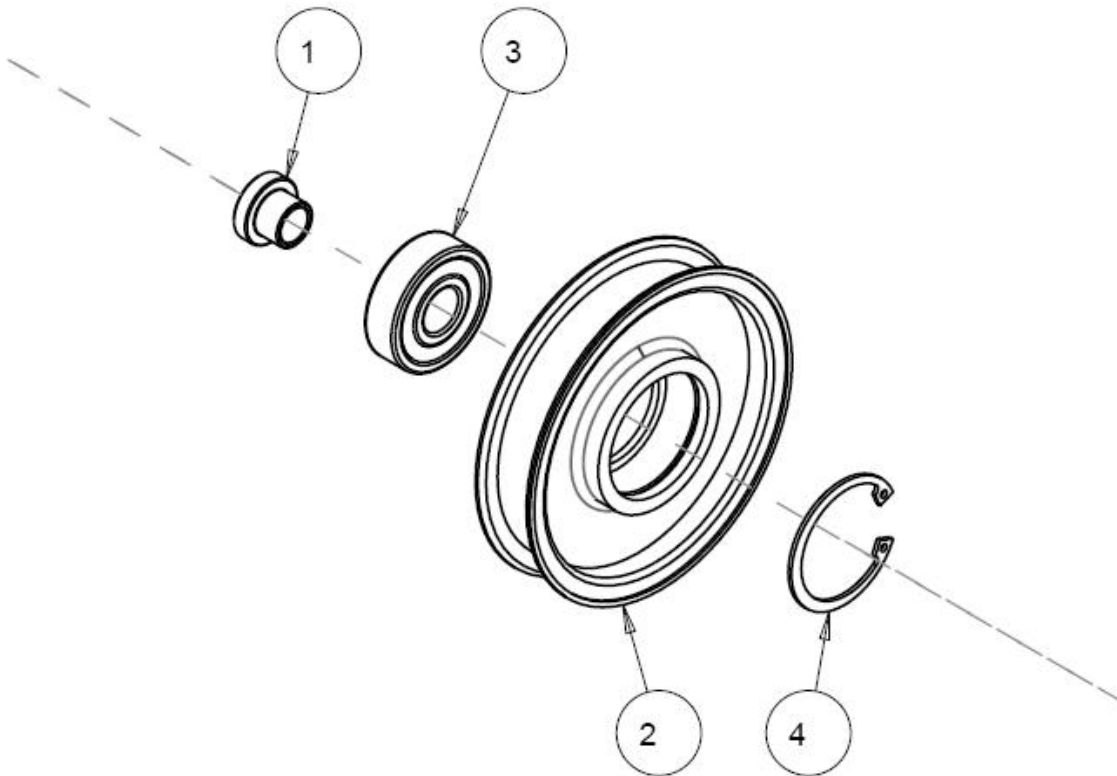
UPPER FRAME GROUP



UPPER FRAME GROUP

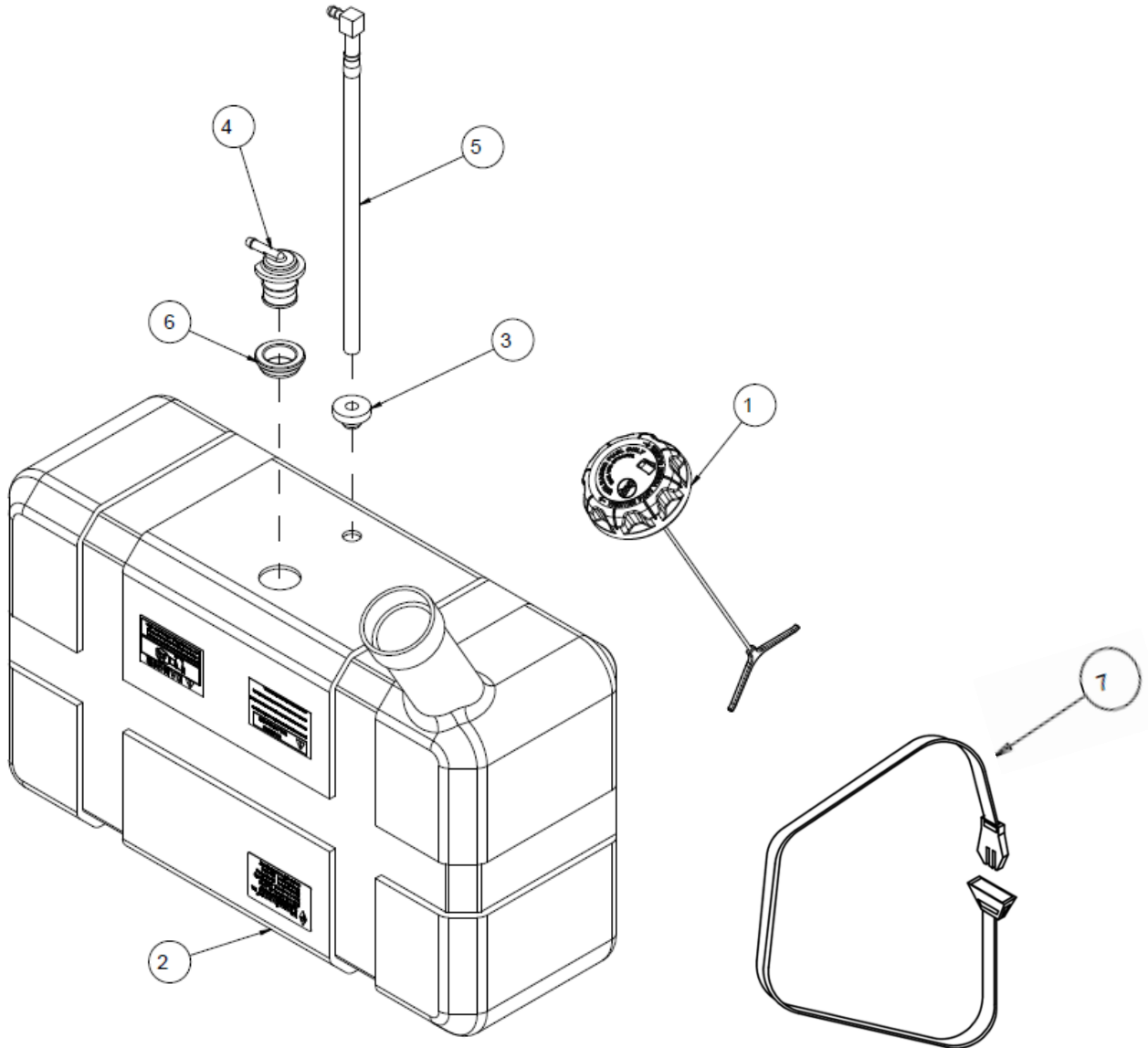
ITEM	PART NO.	DESCRIPTION
1	100273	5/16 X 1.00 BOLT
2	100293	BOLT 3/8 X 1-1/4
3	104253	NUT 5/16-24
4	105258	WASHER, 5/16 USS
5	109012	1/4 WING NUT
6	109045	CLIP, NUT M8
7	343134	BATTERY BOOT
8	373070	BELT GUIDE
9	423011	BATTERY HOLD DOWN
10	423142	BATTERY 350 CCA MIN
11	423172	ROD, BATTERY HOLD DOWN
12	452062	IDLER PULLEY ASM SEE PG 15 FOR EXPLODED VIEW
13	452110	PUMP IDLER ASM SEE PG 18 FOR EXPLODED VIEW
14	453311	BELT, PUMP
15	453362	FUEL TANK COMPLETE
16	453379	CUSHION, LEG WL
17	623239	BUMPER
18	753027	WASHER 3/8 DISC SPRING
19	823309	SPACER
20	5201002	SPRING
21	5203044	SPRING
22	5208015	BRAKE SWITCH
23	5208103	NUT PLATE
24	452026-2	STAND OFF, WL MOTOR
25	452090-2	WLD, REAR DECK
26	452117-2	WLD, BUMPER MOUNT
27	453257-2	BAR, CROSSMEMBER
28	453272-1	BATTERY TRAY
29	453273-2	TANK SUPPORT
30	453274-1	COVER
31	453275-2	SIDE PLATE LH
32	453276-1	COVER, UPPER
33	453278-2	SIDE PLATE RH
34	453361-1	BRACKET, BRAKE SPRING
35	B6182-8	LOCKNUT M8
36	B6182-12	LOCKNUT M12
37	B5782-1245	BOLT, M12 X 45
38	B5782-1270	BOLT M12 X 70
39	B5783-620	SCRFW, HH TAP M6 X 20
40	B5783-1025	SCREW, HH TAP M10 X 25
41	B5783-1225	SCREW, HH TAP M12 X 25
42	B5787-616	BOLT M6 X 16
43	B5787-820	BOLT M8 X 20
44	B5787-1225	BOLT, FLANGE M12 X 25
45	B6182-6	LOCKNUT M6
46	B6182-10	NUT, NYLOC M10
47	B801-616	BOLT, CARR M6 X 16
48	B801-820	BOLT, CARRIAGE SN M8 X 20
49	B801-1050	BOLT, CARRIAGE SN M10 X 50
50	B823-516	SCREW M5 X 16
51	B96-6	WASHER, FLAT M6
52	B96-12	WASHER, FLAT M12

IDLER PULLEY ASSEMBLY



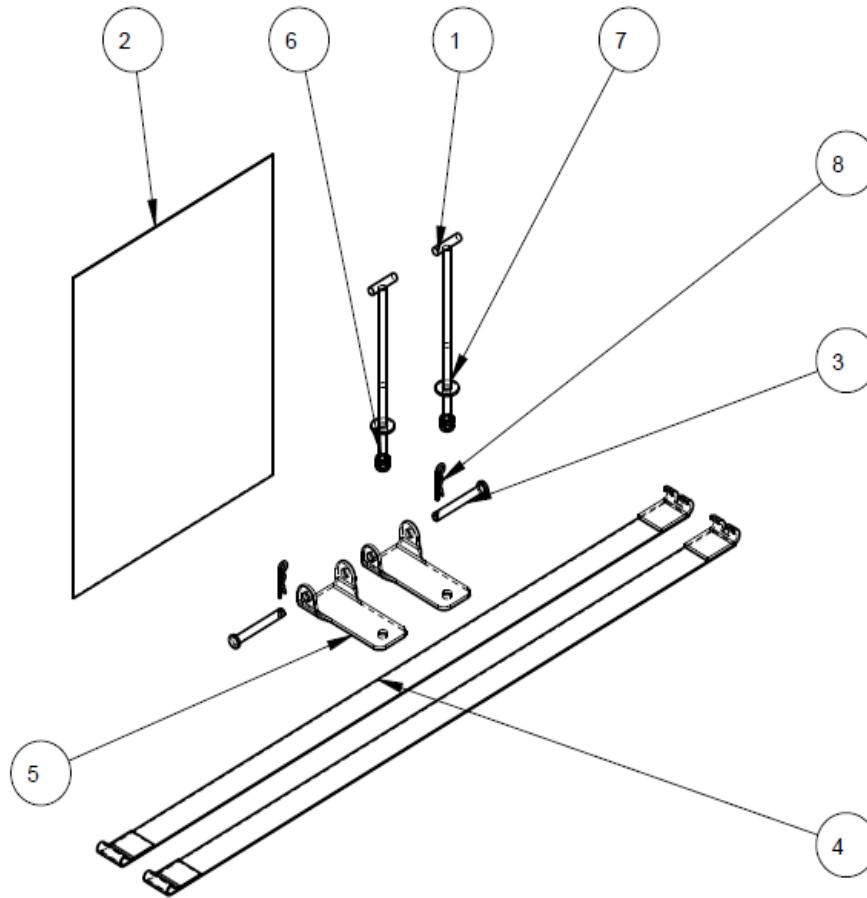
ITEM	PART NO.	DESCRIPTION
1	543167	STEPPED SPACER
2	3302056	IDLER PULLEY
3	B276-6303RS	BEARING
4	B893.2-47	SNAP RING
5	452062	IDLER PULLEY COMPLETE

FUEL TANK ASSEMBLY



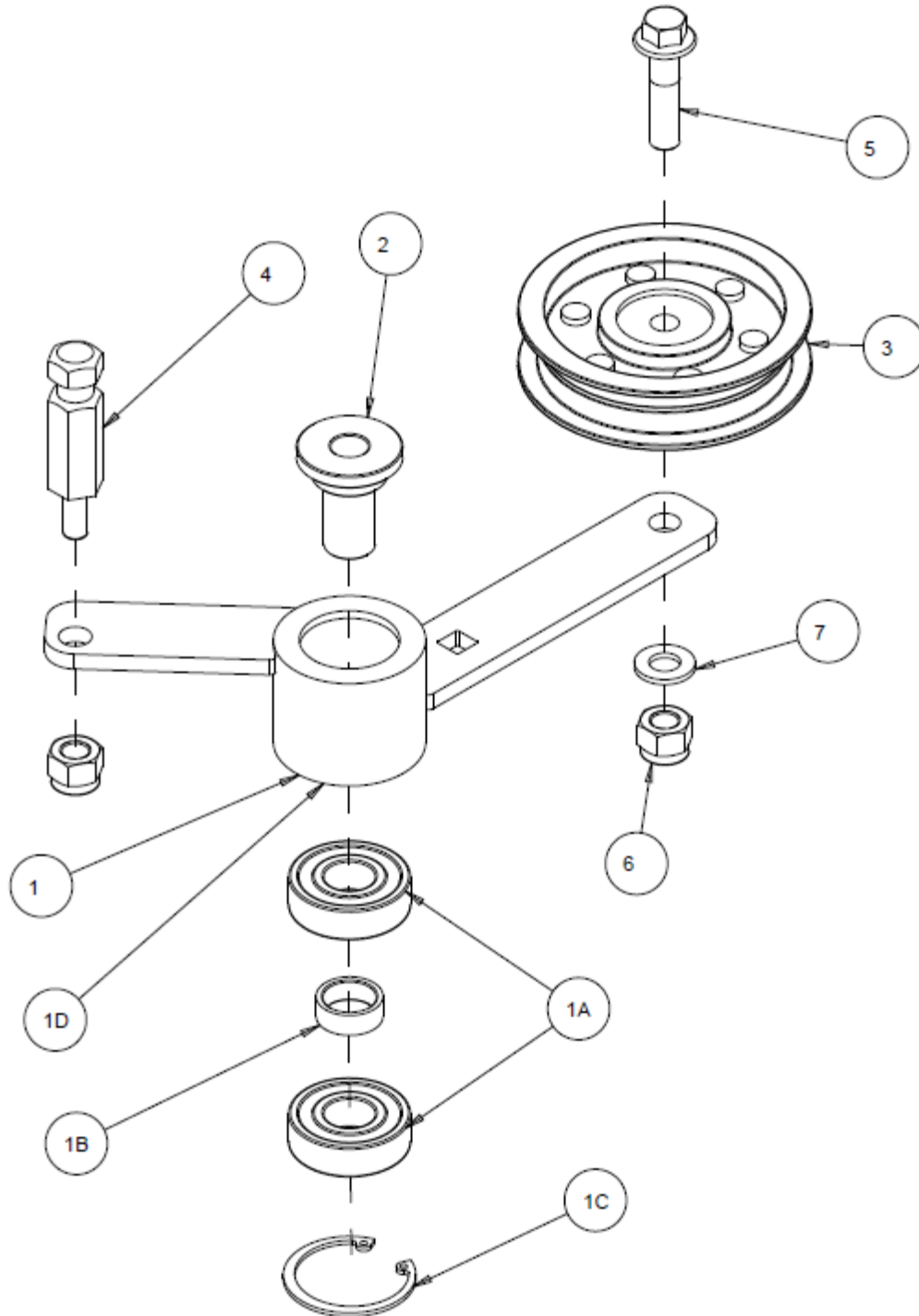
ITEM	PART NO.	DESCRIPTION
1	3307032	EPA GAS CAP W/TETHER
2	453362	FUEL TANK, COMPLETE
3	533125	GROMMET, RUBBER
4	544006	FUEL VENT ASSEMBLY WITH GROMMET
5	543306	90° FUEL FITTING WITH 10" TUBE
6	543284	GROMMET
7	363368	GAS TANK BELT

FUEL TANK STRAP UPDATE KIT KIT PART NO. 452137



ITEM	PART NO.	DESCRIPTION
1	452131	T-BOLT WELDMENT
2	933254	INSTRUCTION SHEET, FUEL TANK FIX KIT
3	4805003	PIN
4	4805010	STRAP, FUEL TANK
5	453400-1	BRACKET, TANK BAND LONG – BLACK
6	B6182-6	NUT, NYLOC M6
7	B96-6	WASHER, FLAT M6
8	XSZ56-1-17	HAIR PIN

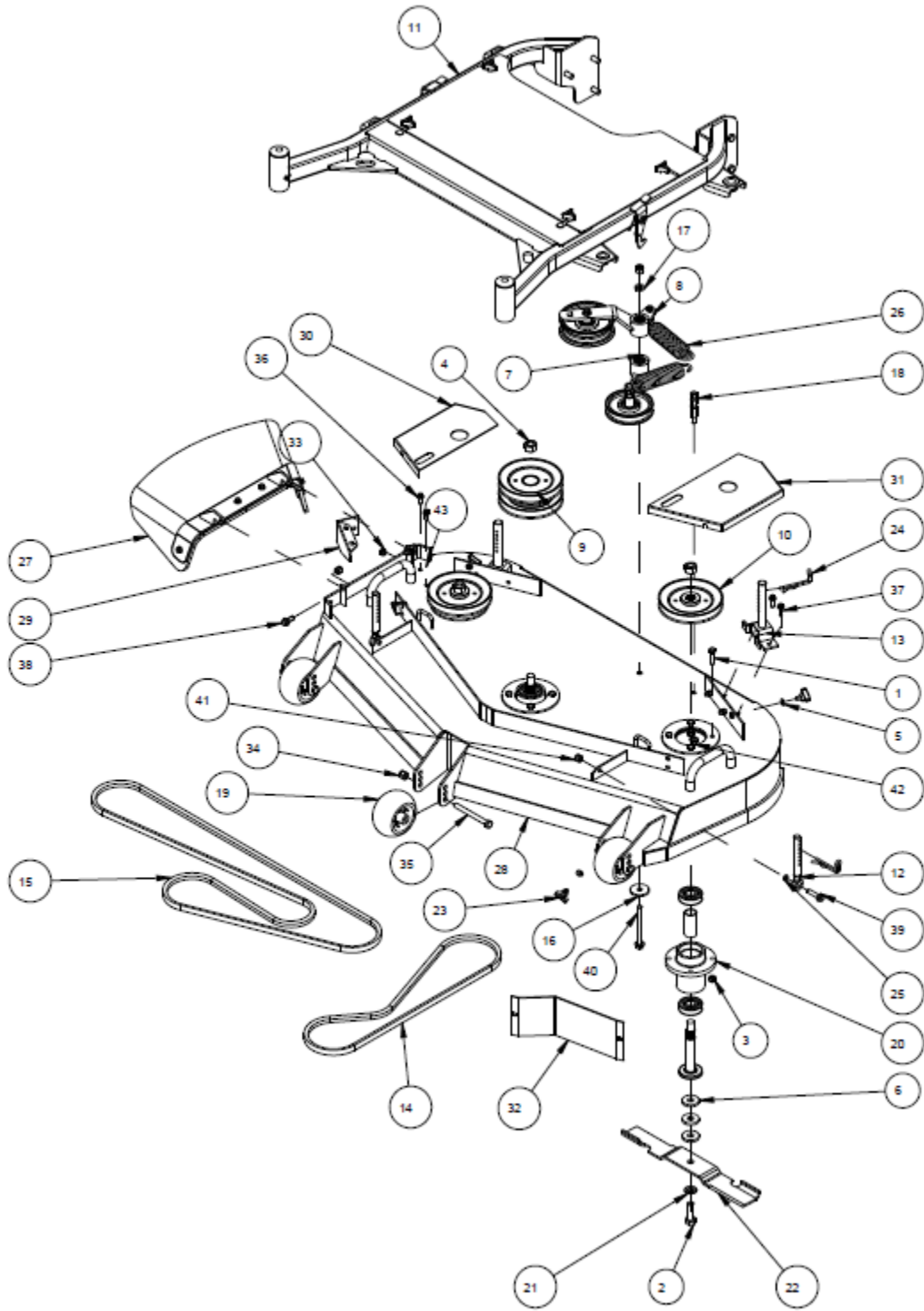
PUMP IDLER ASSEMBLY



PUMP IDLER ASSEMBLY

ITEM	PART NO.	DESCRIPTION
1	452100	IDLER ARM W/BEARINGS COMPLETE
1A	B2766-203RS	BEARING 6203-2RS
1B	5201077	BUSHING
1C	B893.1-40	SNAP RING 40
1D	452099	IDLER ARM WELDMENT
2	453313	BUSHING, STEPPED
3	523328	IDLER PULLEY
4	543101	ANCHOR, SPRING 1.46
5	B5787-1040	BOLT, M10 X 40
6	B6182-10	LOCKNUT M10
7	B97.1-10	WASHER M10

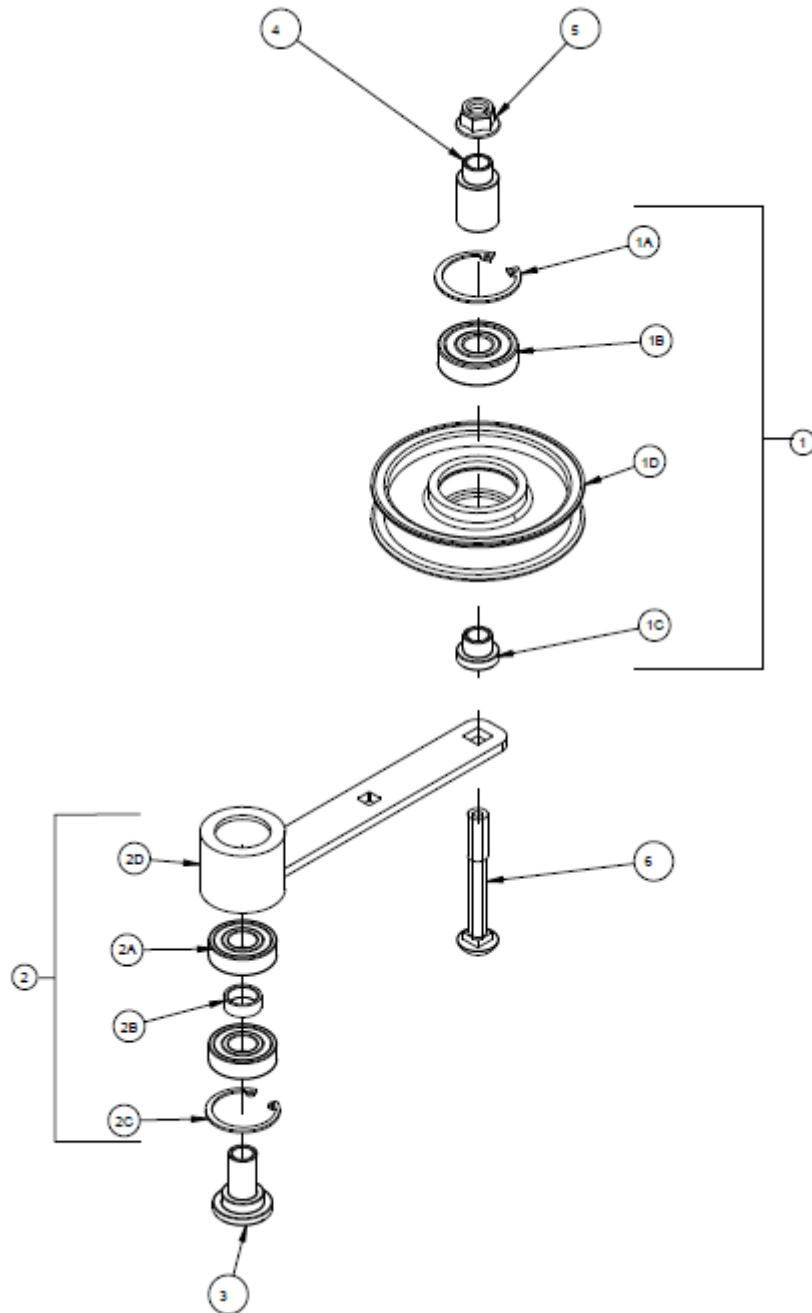
52" DECK ASSEMBLY



52" DECK ASSEMBLY

ITEM	PART NO.	DESCRIPTION
1	100294	BOLT 3/8 X 1-1/2
2	100347	BLADE BOLT
3	104257	NYLOC NUT 3/8-16
4	104511	3/4-16 HEX NUT
5	105257	WASHER, FLAT SAE 5/16
6	363382	BLADE SPACER, PLATED
7	452064	IDLER PULLEY ASM SEE PG 22 FOR EXPLODED VIEW
8	452068	IDLER ARM ASM SEE PG 24 FOR EXPLODED VIEW
9	452072	PULLEY, DOUBLE
10	452073	PULLEY, DECK
11	452087	FRONT FRAME ASM
12	452101	DECK HEIGHT ASM
13	452116	HEIGHT PIN WLDMT
14	453214	DECK BELT
15	453215	SERPENTINE BELT
16	453219	SPACER
17	453220	SPACER
18	453228	SPRING ANCHOR
19	543225	ROLLER, ANTI-SCALP
20	583106	BLADE SPINDLE ASM
21	583108	5/8 SPRING WASHER
22	823004	BLADE
23	3302190	KNOB
24	4800007	PIN, DECK
25	4801302	SPACER
26	5201002	SPRING
27	6001050	DISCHARGE CHUTE
27A	6001052	INNER BRACKET DISCHARGE CHUTE
27B	6001053	DISCHARGE CHUTE - RUBBER
27C	6001054	OUTER BRACKET DISCHARGE CHUTE
28	452125	DECK W/DECALS
29	452119-2	BAFFLE
30	452128	BELT SHIELD W/DECALS, RH
31	452129	BELT SHIELD W/DECALS, LH
32	543046-2	BAFFLE, BIRDWING LH
33	B6182-8	NUT NYLOC M8
34	B6182-12	NUT, NYLOC M12
35	B5782-12120	SCREW, HH M12 X 120
36	B5787-820	SCREW, HH FLANGE M8 x 20
37	B5787-825	SCREW, HH FLANGE M8 x 25
38	B5787-1025	SCREW, HH FLANGE M10 x 25
39	B5787-1040	SCREW, HH FLANGE M10 x 40
40	B5787-12120	SCREW, HH FLANGE M12 x 120
41	B6182-10	NUT, NYLOC M10
42	B6187-10	LOCKNUT M10
43	B801-820	BOLT, CARRIAGE SN M8 x 20

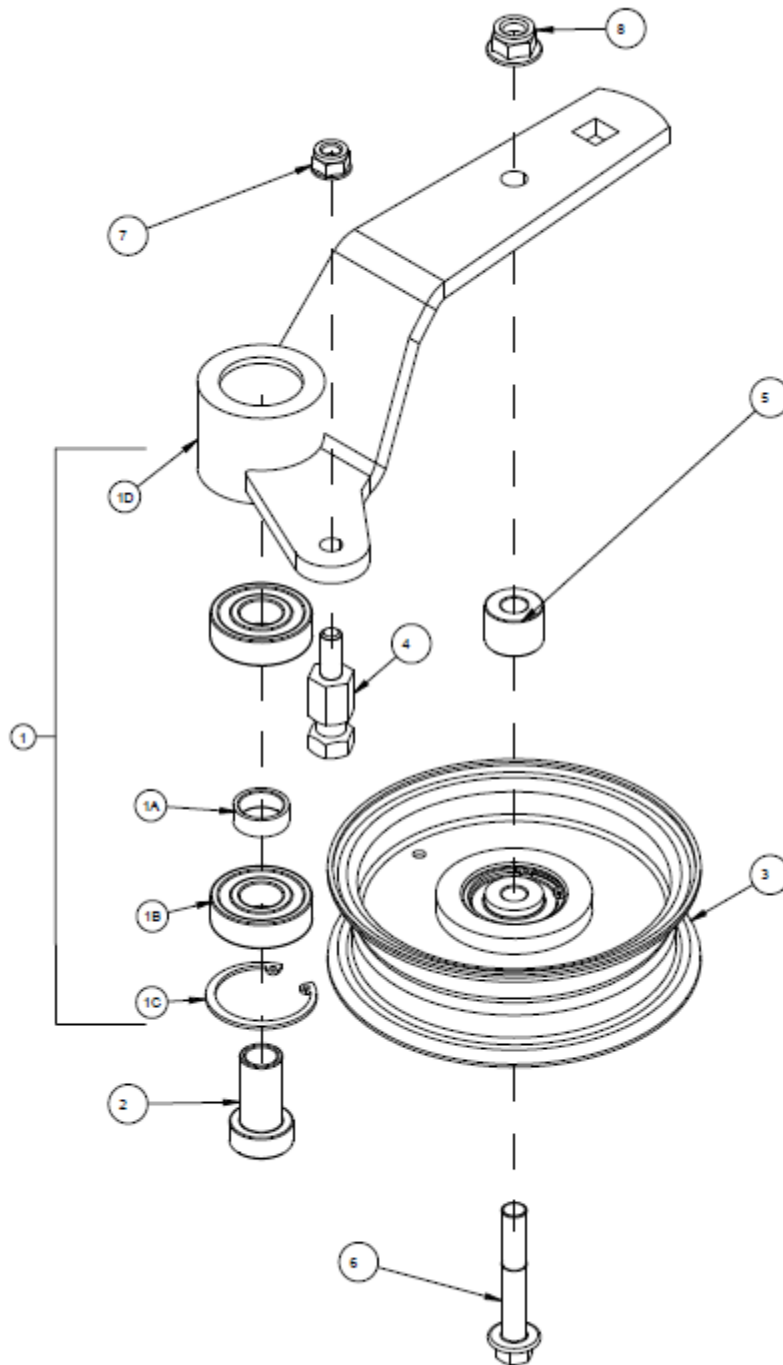
LOWER DECK IDLER ASSEMBLY



LOWER DECK IDLER ASSEMBLY

ITEM	PART NO.	DESCRIPTION
1	452062	IDLER PULLEY ASSEMBLY COMPLETE
1A	B893.2-47	SNAP RING 47
1B	B276-6303RS	BEARING 6303-2RS
1C	543167	SPACER, STEPPED
1D	3302056	PULLEY
2	452071	IDLER ARM W/BEARINGS COMPLETE
2A	B276-6303RS	BEARING 6303-2RS
2B	5201077	BUSHING
2C	B8931-40	SPACER 40
2D	452063	IDLER ARM
3	453313	BUSHING, STEPPED
4	453364	SPACER, STEPPED
5	B6187-12	NUT, M12
6	B801-1290	BOLT, CARRIAGE M12 X 90

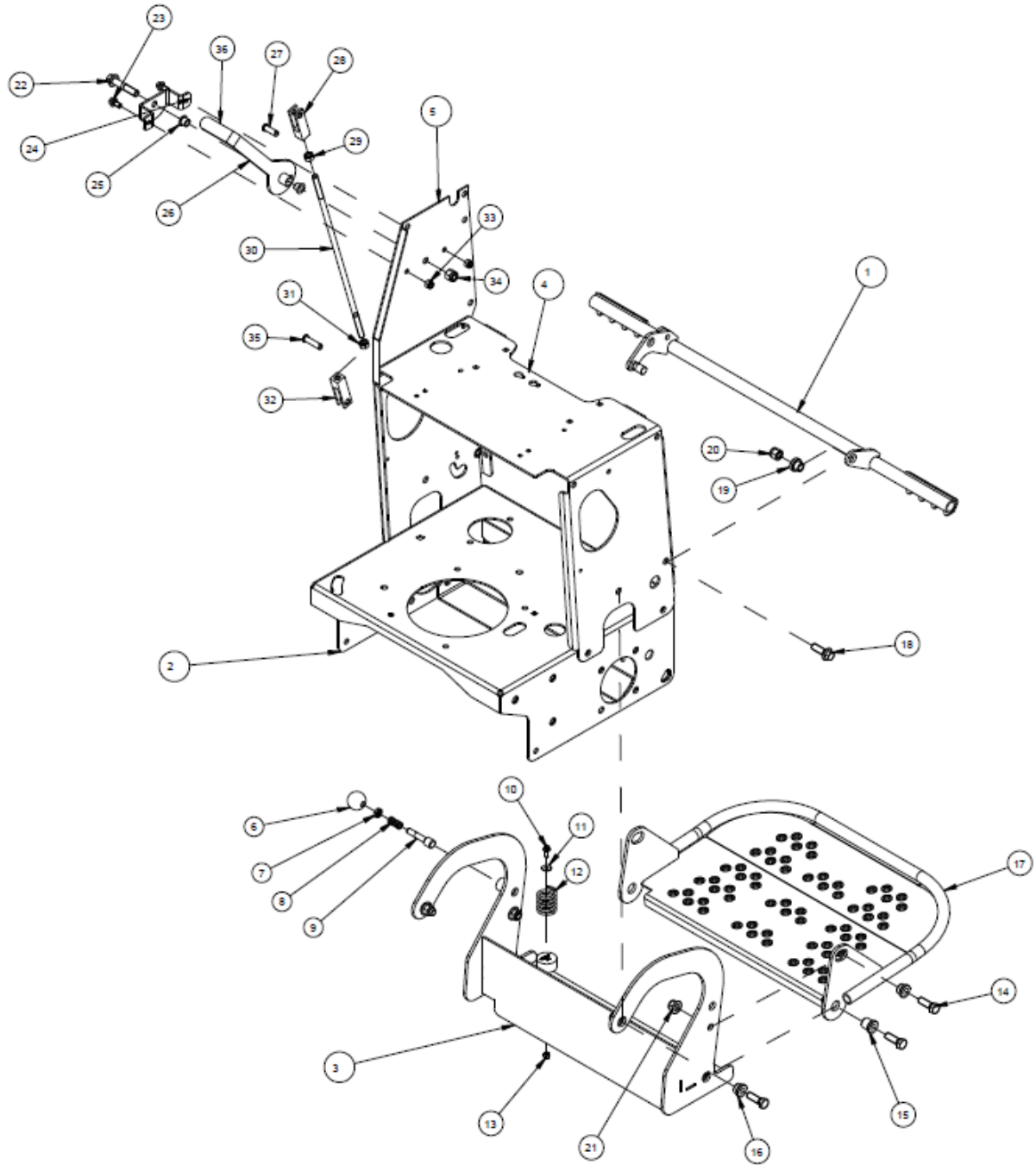
UPPER DECK IDLER ASSEMBLY



UPPER DECK IDLER ASSEMBLY

ITEM	PART NO.	DESCRIPTION
1	452067	IDLER ARM W/BEARINGS COMPLETE
1A	5201077	BUSHING
1B	B276-6203RS	BEARING 6203-2RS
1C	B893.1-40	SPACER 40
1D	452065	WELDMENT, IDLER ARM, TOP
2	453213	BUSHING, STEPPED
3	533114	DECK TENSION IDLER
4	543100	ANCHOR, SPRING .91
5	593439	ENGINE BASE SPACER
6	B5787-1060	BOLT M10 X 60
7	B6187-8	NUT M8
8	B6187-10	LOCKNUT M10

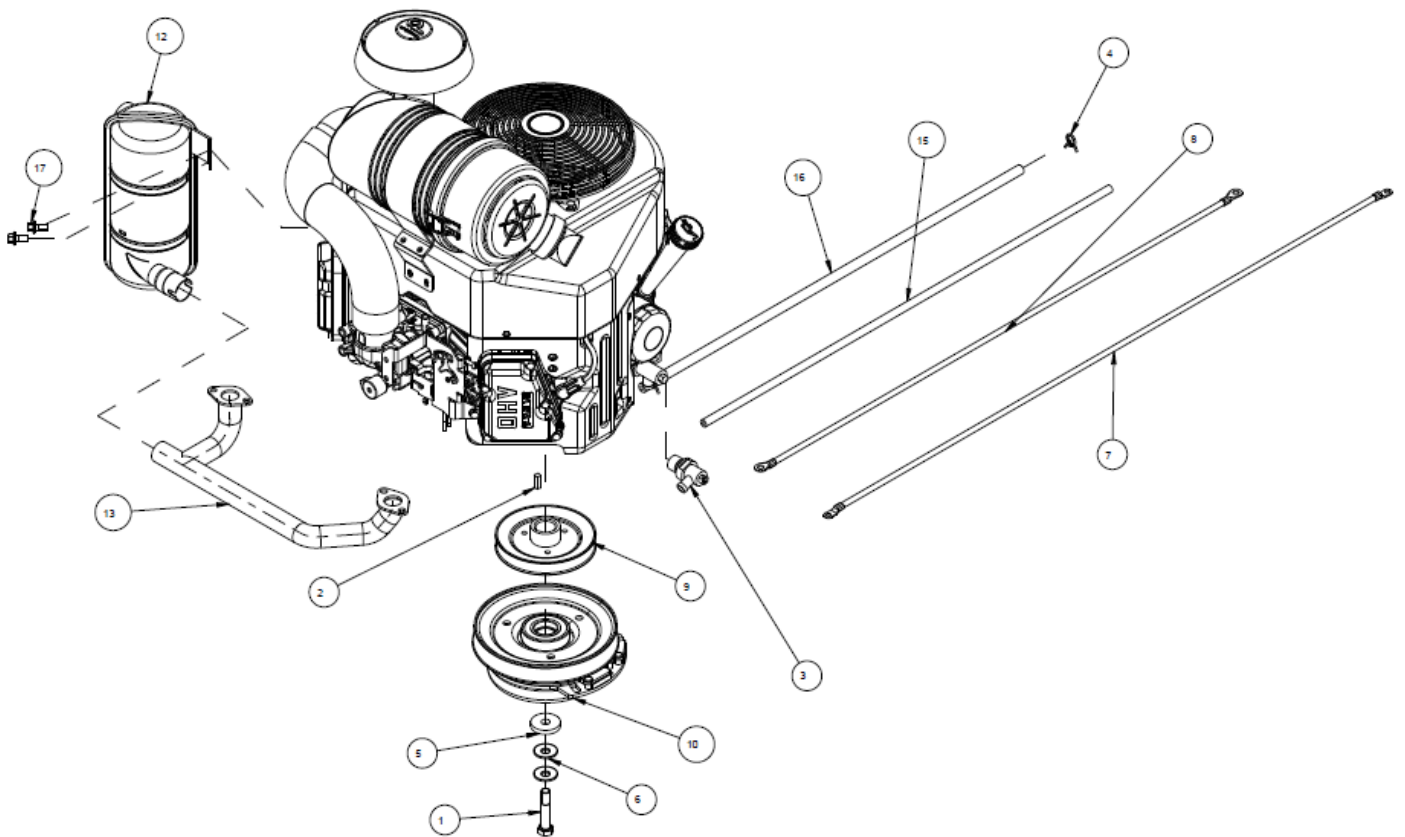
SULKY/BRAKE GROUP



SULKY/BRAKE GROUP

ITEM	PART NO.	DESCRIPTION
1	452094-1	WELDMENT, BRAKE PLATED
2	452090-2	WELDMENT, REAR DECK PAINTED
3	452092-2	WELDMENT, SULKY MOUNT, PAINTED
4	453273-2	SUPPORT, TANK PAINTED
5	453278-2	PLATE, SIDE RH
6	B4141-11-1035	KNOB M10 X 35
7	B6172-10	NUT M10
8	4806013	COMPRESSION SPRING
9	453279	PIN, LATCH
10	B5787-616	BOLT, M6 X 16
11	B96-6	WASHER 6
12	5203044	SEAT SPRING
13	B6182-6	LOCKNUT M6
14	B5783-1235	BOLT M12 X 35
15	453287	BUSHING
16	453288	BUSHING
17	452091-1	WELDMENT, FOOTPLATE PAINTED
18	B5787-1235	BOLT, FLANGE M12 X 35
19	543167	SPACER, STEPPED
20	B6182-12	LOCKNUT M12
21	B6187-12	NUT M12
22	B5787-1260	BOLT, FLANGE M12 X 60
23	B5787-816	BOLT, M8 X 16
24	453296-2	BRACKET, BRAKE PAINTED
25	543154	BUSHING, MOTION CONTROL
26	452139	BRAKE HANDLE W/BUSHINGS AND GRIP
27	B882-1030	PIN, SHAFT B 10 X 30
28	5206009	CONNECTING YOKE
29	B6171-10L	NUT, M10 X 1.0 L.H.
30	453402	ROD, BRAKE 19MM O.D.
31	B6171-10	NUT, M10 X 1.0
32	5206003	CONNECTING YOKE
33	B6182-8	LOCKNUT M8
34	B6182-12	LOCKNUT M12
35	B882-1040	PIN, SHAFT B10 X 40
36	363022	GRIP

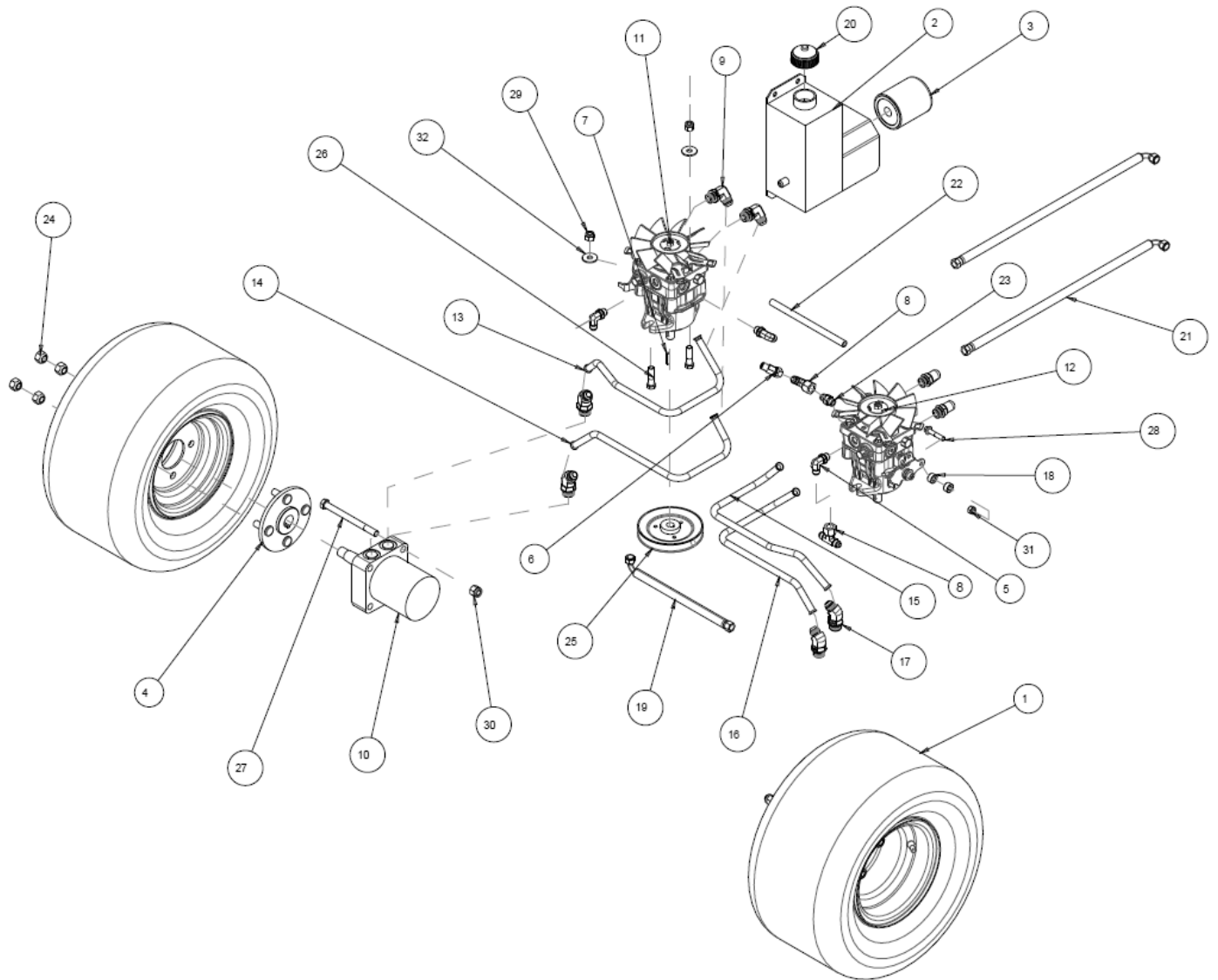
ENGINE GROUP



ENGINE GROUP

ITEM	PART NO.	DESCRIPTION
1	100530	BOLT 7/16-20 X 2/1-4
2	107258	KEY .25 SQ X .75
3	343146	DRAIN, OIL 90 DEG
4	363098	CLAMP FUEL LINE
5	423068	WASHER, 7/16 ID X 1.50 OD X .25 THK
6	423069	WASHER, SPRING DISC 7/16
7	423117	POSITIVE CABLE, LONG
8	423118	NEGATIVE CABLE
9	453309	PULLEY, PUMP DRIVE
10	453330	CLUTCH, 125 FT/LB
11	453332	HARNESS, WIRE, KAW (NOT SHOWN)
12	453359	MUFFLER, SHORT
13	453360	MANIFOLD, EXHAUST
14	N/A	26HP KAWASAKI – FOR REFERENCE ONLY
15	623418	HOSE, VENT 3/16 ID X 29
16	823315	FUEL LINE 1/4 X 27"
17	B5787-816	SCREW, HH FLANGED M8 X 16
NOT SHOWN	483098	MUFFLER GASKET

HYDRO GROUP



HYDRO GROUP

ITEM	PART NO.	DESCRIPTION
1	353126	WHEEL COMPLETE 18-9.5 X 8
2	423307	TANK, HYDRO SMALL
3	423361	OIL FILTER
4	452112	WHEEL HUB ASM
5	453074	ADAPTER 90 DEG 6801-6
6	453075	ADAPTER, 6502-6-6 45 DEG
7	453102	KEY, PUMP 5MM
8	453106	SWIVEL TEE F6600-6-6-6
9	453113	ELBOW F6801-8-8
10	453153	WHEEL MOTOR
11	453260	PUMP, RH PG W/FAN
12	453261	PUMP, LH PG W/FAN
13	453301	TUBE, 52 RH A
14	453302	TUBE, 52 RH B
15	453303	TUBE, 52 LH A
16	453304	TUBE, 52 LH B
17	453307	ADAPTER 45 DEG
18	453371	SPACER
19	583241	HOSE
20	583406	OIL TANK CAP
21	593073	HOSE
22	593309	HOSE
23	623463	ADAPTER, STR 6400-6-6
24	5000001	NUT, LUG
25	5207070	PULLEY, PUMP
26	B5782-1040	BOLT M10 X 40
27	B5782-12140	BOLT M12 X 140
28	B5787-840	BOLT, M8 X 40
29	B6182-8	NUT, NYLOC M8
30	B6182-10	NUT, NYLOC M10
31	B6182-12	NUT, NYLOC M12
32	B96-10	WASHER, FLAT M10
33	923073	HYDRO OIL, SYNTHETIC

DECAL GROUP

PART NO.	DESCRIPTION
363023	DANGER DECAL
363405	DECAL, LOGO WL LARGE
363427	DECAL, WORLDLAWN
453010	OIL DECAL
453363	DECAL, CONSOLE
453370	DECAL, VENOM
543291	WORLDLAWN LOGO DECAL
8008	DECAL, CAUTION
8303	DECAL, CAUTION
8304	DECAL NO STEP
8326	DECAL, 52"
8307	DECAL, WARNING
8406	DECAL, HEIGHT ADJUSTING
363416	EPA DECAL
453389	FRONT TIRE PRESSURE DECAL
453390	REAR TIRE PRESSURE DECAL



WORLDLAWN®

ALL RIGHTS RESERVED

CONTENTS SUBJECT TO CHANGE

WYS52FX730V PARTS MANUAL

STANDON

20130305