

# Parts Catalog



## **WORLDLAWN<sup>®</sup>** **WS2690BSE** **Snow Thrower**



**Worldlawn Power Equipment, Inc.**

**Industrial Park 2415 Ashland Ave. Beatrice NE 68310**

**Toll Free Number: 1-800-267-4255**





# Table of Contents

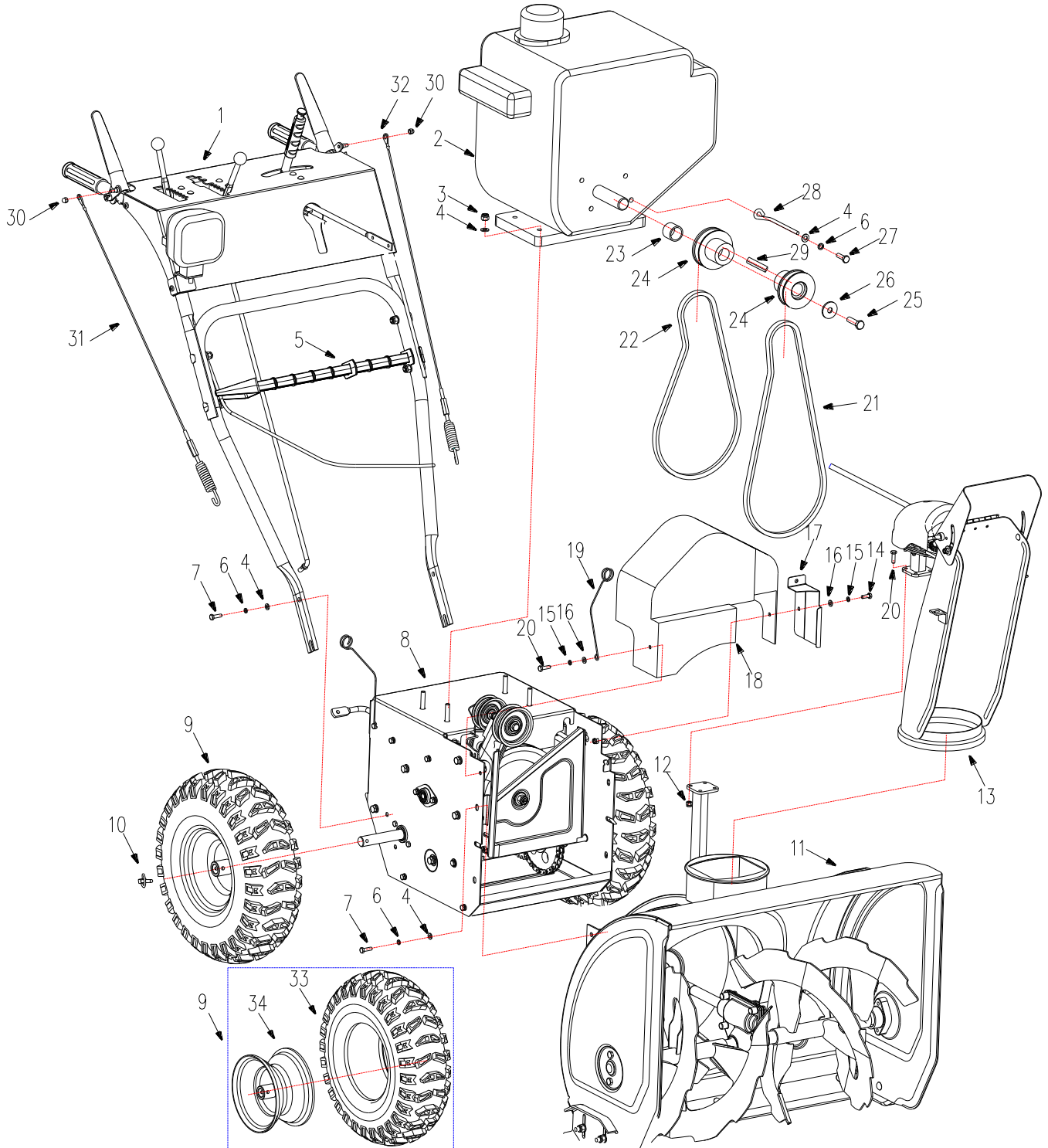
---

## Table of Contents

### **26" Snow thrower**

Snow thrower Assembly .....	1
Handle Assembly.....	3
Engine Frame Assembly.....	5
Blower Assembly.....	7
Chute Assembly.....	9
Wiring .....	11
Decals .....	12

# 26" Snow thrower Assembly

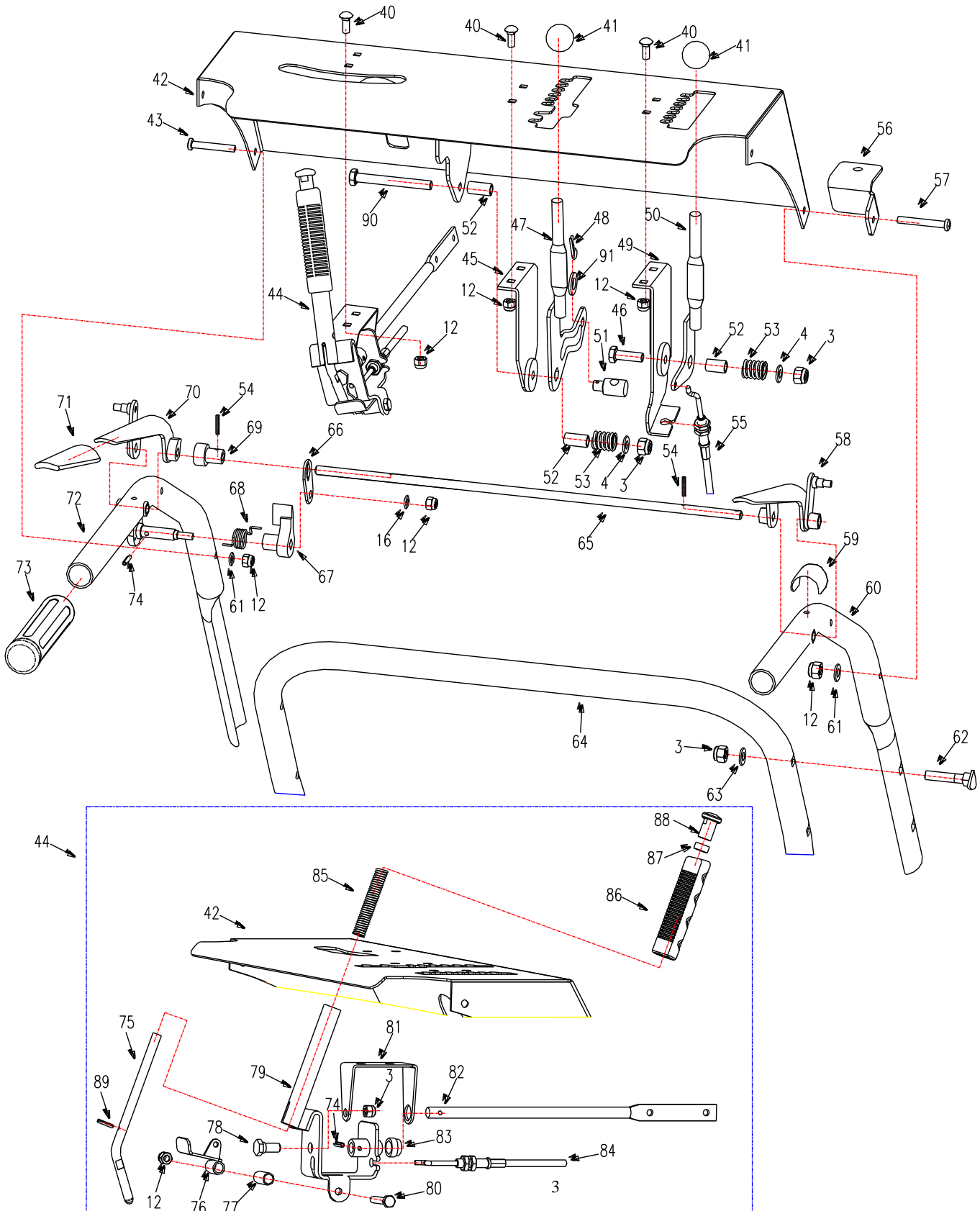


# 26" Snow thrower Assembly



REF.	PART NO.	DESCRIPTION	26	REF.	PART NO.	DESCRIPTION	26
1	S261000	Handle bar assembly	×	18	S260065	Belt cover	×
2	S260014	Engine	×	19	S260007	Steel wire base	×
3	B6182-8	Locknut M8	×	20	B5783-620	Hex hd. bolt M6×20	×
4	B97.1-8	Flat washer M8	×	21	S263001	Auger/Impeller drive belt	×
5	S220006	Snow clean-out tool	×	22	S262011	Traction drive belt	×
6	B93-8	Lock washer M8	×	23	S260011	Bushing	×
7	B5783-820	Bolt M8×20	×	24	S260012	Engine pulley	×
8	S262000	Transmission components	×	25	S260013	Bolt	×
9	S260075	Rear wheel assembly	×	26	S260016	Lock washer	×
10	3301010	Linchpin	×	27	S220053	5/16-24 UNF bolt	×
11	S263000	Auger/Impeller assembly	×	28	S220054	Belt guard rod	×
12	B6182-6	Locknut M6	×	29	3307002	Flat key	×
13	S264000	Discharge chute assembly	×	30	B923-6	Acorn nut M6	×
14	B5783-616	Hex hd. bolt M6×16	×	31	S260040	Auger/Blower cable assembly	×
15	B93-6	Lock washer M6	×	32	S260030	Wheel drive cable assembly	×
16	B97.1-6	Flat washer M6	×	33	S260076	Tire	×
17	S260003	Sealing plate	×	34	S260077	Wheel hub	×

# Handle Assembly





WORLDLAWN®

# Handle Assembly

REF.	PART NO.	DESCRIPTION	26
3	B6182-8	Locknut M8	×
4	B97.1-8	Flat washer M8	×
12	B6182-6	Locknut M6	×
16	B97.1-6	Flat washer M6	×
40	B12-618	Hex hd bolt M6×18	×
41	B4141.11-1035	Knob M10×35	×
42	S261300	Panel weldment	×
43	B818-640	Bolt M6×40	×
44	S261270	Discharge chute control components	×
45	S261120	Speed control mounting plate	×
46	B5783-845	Bolt M8×45	×
47	S261260	Speed control rod weldment	×
48	XSZ56-1-17	Hairpin	×
49	S261110	Discharge chute mounting plate	×
50	S261250	Discharge chute control rod	×
51	S261002	Rod swivel	×
52	S221007	Gear shift bushing	×
53	S221005	Compression spring	×
54	B879.1-3.516	Spring pin 3.5×16	×
55	S260020	Throttle cable assembly	×
56	S261004	Lamp socket	×
57	B818-645	Bolt M6×45	×
58	S261220	Drive lever - RH	×
59	S221018	Drive lever grip	×
60	S261240	Right handle weldment	×
61	B860-6	Washer M6	×
62	XSZ56-1-15	Socket-head bolt	×
63	B860-8	Washer M8	×

REF.	PART NO.	DESCRIPTION	26
64	S261001	Lower handle	×
65	S261003	Shaft	×
66	S221014	Lock link	×
67	S221015	Latch	×
68	S221017	Torsion spring	×
69	S221016	Drive lock bushing	×
70	S261210	Drive lever - LH	×
71	3306006	Drive lever grip	×
72	S261230	Left handle weldment	×
73	3306005	Handle grip	×
74	B879.1-418	Spring pin 4×18	×
75	S261275	Compression bar	×
76	S261290	Rotation axis weldment	×
77	S261273	Bushing	×
78	S261272	Bolt	×
79	S261280	Discharge chute control weldment	×
80	B5783-635	Bolt M6×35	×
81	S261271	Discharge chute control mount bkt	×
82	S261279	Discharge chute control connect rod	×
83	S261278	Teleflex	×
84	S260050	Discharge chute control cable	×
85	S261274	Return spring	×
86	S261286	Handle grip	×
87	S261277	Washer	×
88	S261276	Button release	×
89	B879.1-316	Spring pin 3×16	×
90	B5782-870	Bolt M8*70	×
91	3303125	Spacer	×





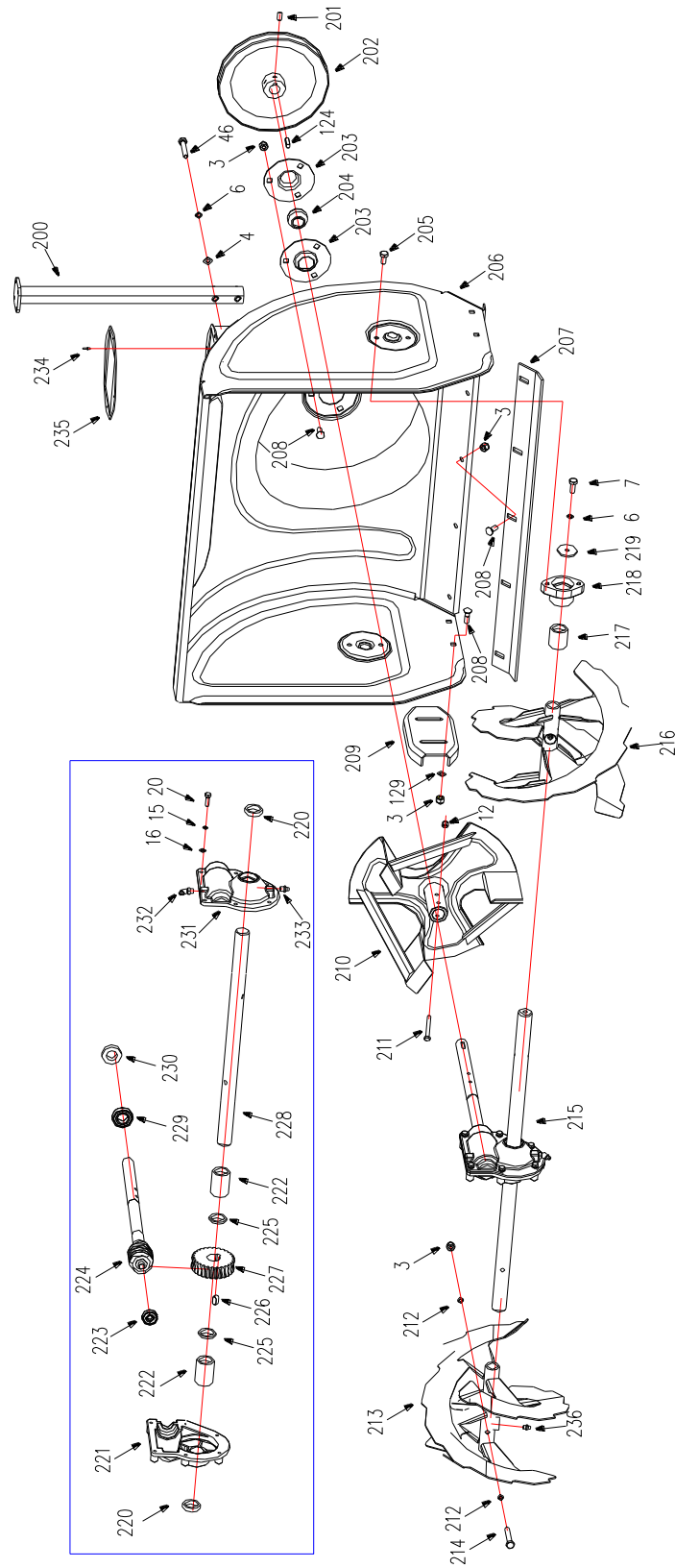


WORLDLAWN®

# Engine Frame Assembly

REF.	PART NO.	DESCRIPTION	26	REF.	PART NO.	DESCRIPTION	26
3	B6182-8	Nut M8	×	133	S262510	Engine frame front	×
4	B97.1-8	Flat washer M8	×	134	S260090	Speed control rod	×
6	B93-8	Split lock washer M8	×	135	S262520	Speed selector control rod	×
7	B5783-820	Hex hd bolt M8×20	×	136	MYM-10-10	Flange nut	×
12	B6182-6	Locknut M6	×	137	2800034	Friction drive tension pulley	×
14	B5783-616	Hex hd bolt M6×16	×	138	S222121	Bushing	×
15	B93-6	Split lock washer M6	×	139	S262182	Friction drv swing arm wldmnt	×
16	B97.1-6	Flat washer M6	×	140	S262185	Bushing	×
19	S260007	Steel wire base	×	141	S262181	Tension pulley spring	×
20	B5783-620	Hex hd bolt M6×20	×	142	B5782-1050	Bolt M10×50	×
31	S260040	Auger/Blower cable assembly	×	143	S262300	Friction drive assembly	×
32	S260020	Wheel drive cable assembly	×	144	MCM-12-02	Clamp bearing	×
48	XSZ56-1-17	Hairpin	×	145	B894.1-12	Snap ring M12	×
51	S261002	Rod swivel	×	146	B91-220	Cotter pin 2×20	×
101	S262150	Tension pulley mount	×	147	B97.1-10	Flat washer M10	×
102	S262170	Auger/Impeller tnsn pulley assy	×	148	S262004	Pulling plate	×
103	S262180	Friction drv tension pulley assy	×	149	S262006	Bolt	×
104	S262100	Engine frame side	×	150	S262009	Return spring	×
105	S262007	Internal gear and bushing	×	151	S262120	Pulling rod	×
106	S262010	Bearing flange	×	152	S262403	Bushing	×
107	B/T6001RS	Bearing 6001-2RS	×	153	B80-55	Screw M5×5	×
108	B6182-10	Locknut M10	×	154	B80-58	Screw M5×8	×
109	S262140	Engine frame top	×	155	S262402	Small chain wheel	×
110	S262400	Friction plate shaft assembly	×	156	B1096-520	Key 5×20	×
111	S262003	A/I Control Arm support bkt	×	157	S262401	Friction wheel shaft	×
112	S262110	Engine frame bottom	×	158	S322411	Friction wheel	×
113	S262500	Speed selector control rod assy	×	159	S262416	Bearing sleeve welded	×
114	S262001	Engine frame upper back	×	161	S262430	Bearing flange	×
115	S262002	Engine frame lower back	×	162	B894.2-30	Snap ring M30	×
116	085-1-42	Roller chain	×	163	S262151	Pulley reset plate	×
117	S262162	Bushing	×	164	S222008	Bolt	×
118	S262163	Planetary gear	×	165	S262008	Return spring	×
119	B2685-162028	Bearing 16×20×28	×	166	S262155	Brake pad	×
120	B97.1-16	Washer M16	×	167	B819-520	Screw M5×20	×
121	B879.1-530	Spring pin 5×30	×	168	B6182-5	Locknut M5	×
122	S262161	Planetary shaft	×	169	S262152	Pulley mounting plate	×
123	S262005	Rear axle	×	170	S262301	Friction drive pad	×
124	B1096-625	Key 6×25	×	171	S262315	Bushing	×
125	B97.1-20	Washer M20	×	172	B276-60032RS	Bearing 6003-2RS	×
126	B2686-202625	Olite bronze bushing	×	174	B893.1-35	Snap ring M35	×
127	S222012	Bearing housing	×	175	S262302	Bushing	×
128	B5783-835	Hex hd. bolt M8×35	×	176	S262310	Friction drive pad mounting plt	×
129	2800006	Washer	×	177	5201061	Washer	×
130	S262175	Friction drive tension pulley	×	178	B879.1-630	Spring pin 6×30	×
131	3333058	Bushing	×	180	S262177	Limit Plate	×
132	S262171	Speed control rod weldment	×	273	B801-620	Hex hd. bolt M6 x 20	×

# Blower Assembly



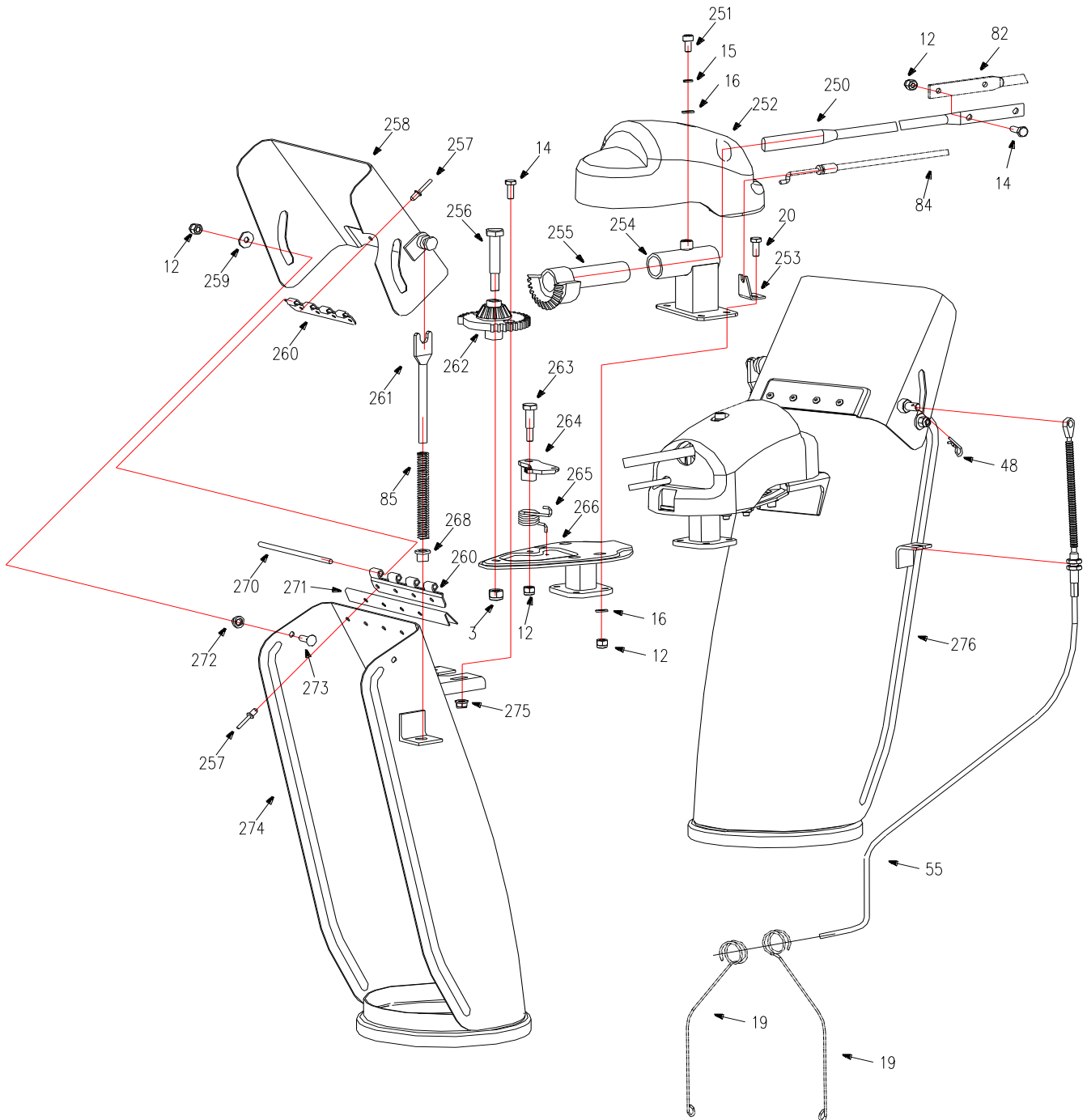


WORLDLAWN®

# Blower Assembly

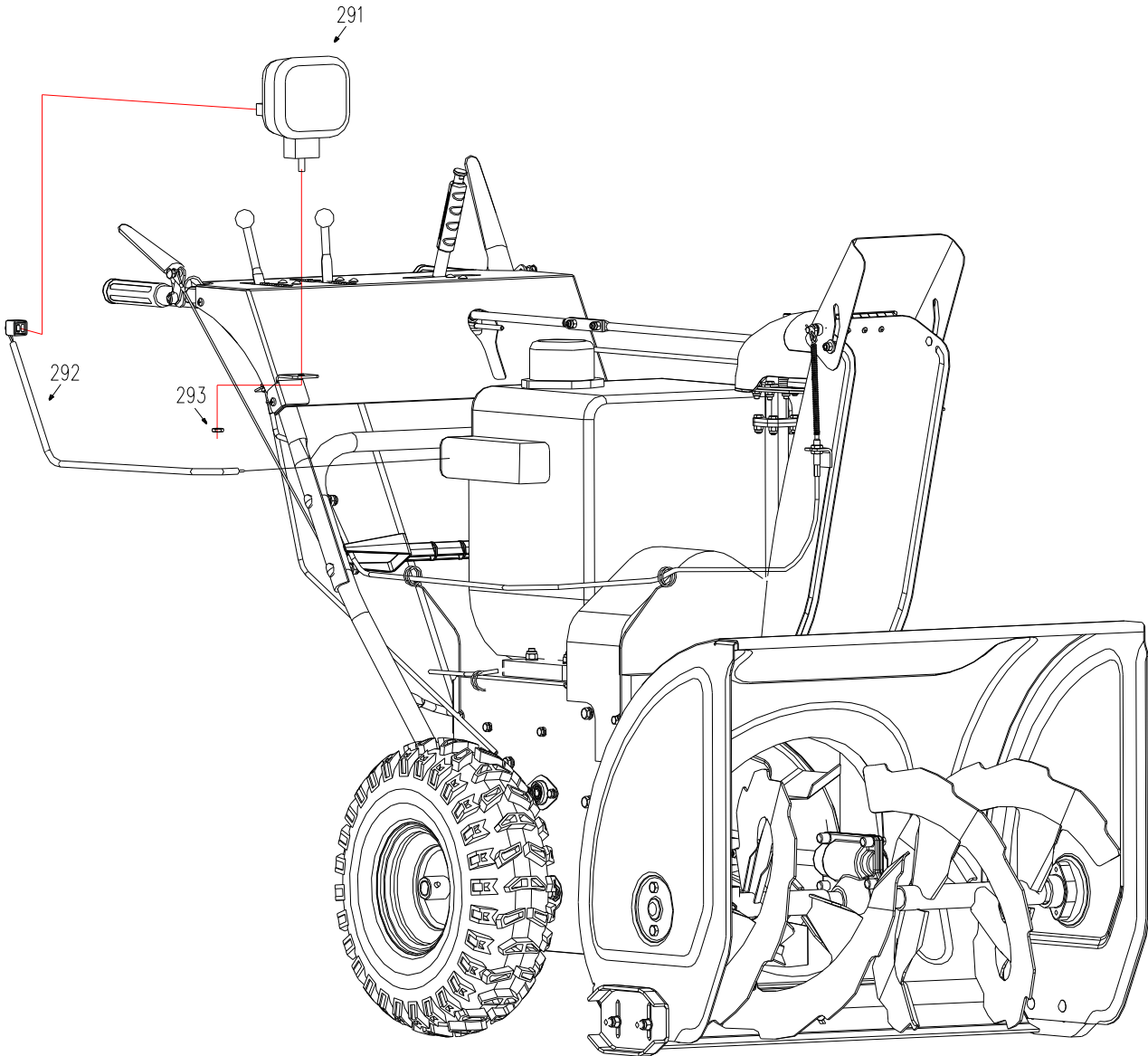
REF.	PART NO.	DESCRIPTION	26	REF.	PART NO.	DESCRIPTION	26
3	B6182-8	Locknut M8	×	213	S263230	Auger weldment-RH	×
4	B97.1-8	Flat washer M8	×	214	S223007	Safety pin	×
6	B93-8	Split lock washer M8	×	215	S263300	Gear case assembly	×
7	B5783-820	Hex hd bolt M8×20	×	216	S263220	Auger weldment-LH	×
12	B6182-6	Locknut M6	×	217	B2685-222825	Bearing 22×28×25	×
15	B93-6	Split lock washer M6	×	218	S223001	Bearing housing	×
16	B97.1-6	Flat washer M6	×	219	S263003	Washer	×
20	B5783-620	Hex hd bolt M6×20	×	220	S223310	Oil seal	×
46	B5783-845	Bolt M8×45	×	221	S223301	Left bushing case	×
124	B1096-625	Key 6×25	×	222	B12613-252215	Bushing 25×22×15	×
129	2800006	Washer	×	223	B/T16001RS	Bearing 16001-2RS	×
200	S263250	Bottom chute mounting bkt wld	×	224	S263304	Work drive shaft	×
201	B84-816	Screw M8×16	×	225	S223311	Washer	×
202	S263240	Pulley	×	226	B1096-818	Key 8×18	×
203	S223121	Bearing housing	×	227	S223306	Worm gear	×
204	B2687-203625	Bearing 20×36×25	×	228	S263305	Output shaft	×
205	B5783-816	Hex hd bolt M8×16	×	229	B/T61904RS	Bearing 61904-2RS	×
206	S263100	Front frame	×	230	B13871-35207	Oil seal FB35×20×7	×
207	S263002	Scraper	×	231	S223302	Right bushing case	×
208	B801-820	Hex hd bolt M8×20	×	232	B1153-8	Grease fitting M8×1×45°	×
209	S223005	Skid	×	233	S223101	Sealing bolt	×
210	S223080	Impeller weldment	×	234	B12618-3.212	Blind rivet 3.2 x 12	×
211	B5782-645	Hex hd bolt M6×45	×	235	S263004	Cushion	×
212	S223003	Bushing	×	236	B1152-6	Grease fitting M6	×

# Chute Assembly



# Chute Assembly

REF.	PART NO.	DESCRIPTION	26	REF.	PART NO.	DESCRIPTION	26
3	B6182-8	Locknut M8	×	257	B12618-510	Rivet 5×10	×
12	B6182-6	Locknut M6	×	258	S264130	Chute deflector	×
14	B5783-616	Hex hd bolt M6×16	×	259	B96-6	Flat washer M6	×
15	B93-6	Split lock washer M6	×	260	S264121	Hinge plate	×
16	B97.1-6	Flat washer M6	×	261	S264103	Chute deflector support rod	×
19	S260007	Steel wire base	×	262	S264003	Worm gear	×
20	B5783-620	Hex hd bolt M6×20	×	263	S264006	Custom bolt	×
48	XSZ56-1-17	Hairpin	×	264	S264005	Gear lock	×
55	S260020	Discharge chute cable assy	×	265	S264007	Torsion spring	×
82	S261279	Discharge chute cnecting rod	×	266	S264020	Strut weldment	×
84	S260050	Discharge chute cntrol cable	×	268	2806010	Nylon bushing	×
85	S261274	Return spring	×	270	S264122	Hinge pin	×
250	S260001	Chute control connecting rod	×	271	S264102	Snow guard	×
251	B70-612	Screw M6×12	×	272	S264101	Bushing	×
252	S260002	Chute gear assy cover	×	273	B801-620	Bolt M6×20	×
253	S264008	Cable tab	×	274	S264110	Discharge chute weldment	×
254	S264010	Gear attachment base	×	275	B6183.1-6	Flanged locknut M6	×
255	S264001	Worm drive shaft	×				
256	S264002	Bolt	×				

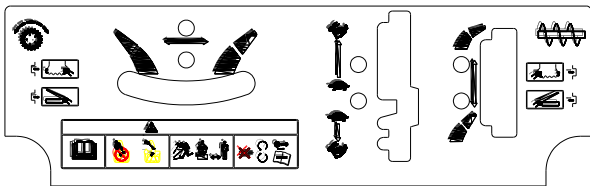


REF.	PART NO.	DESCRIPTION	26
291	S221070	Light kit	×
292	S260070	Wiring harness	×
293	6177-8	Nut M8 (With anti-slip wire)	×

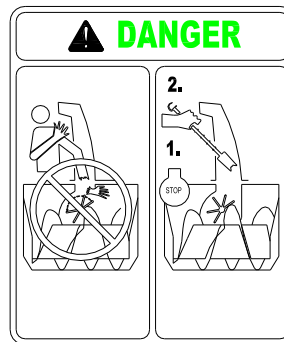
# Decals



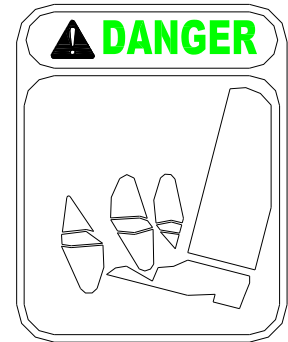
310



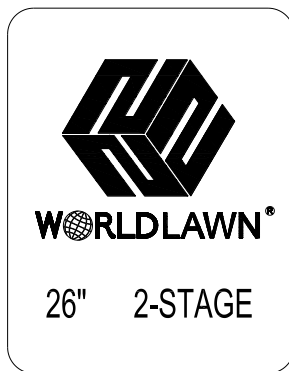
311



312



313



314

REF.	PART NO.	DESCRIPTION	26
310	S265003	Front panel decal	×
311	S265002	Control panel decal	×
312	S224001	Discharge chute decal	×
313	S224002	Front frame decal	×
314	S265004	Model size decal	×

# Decals

---







WORLDLAWN®

**Notes:**

---

**Notes:**

---









**WORLDLAWN®**

**Worldlawn Power Equipment, Inc.**

Industrial Park 2415 Ashland Ave. Beatrice, NE 68310

Phone: (402) 228-4255

Fax: (402) 223-4103

[www.worldlawnpowerequipment.com](http://www.worldlawnpowerequipment.com)