

**WORLDLAWN®**



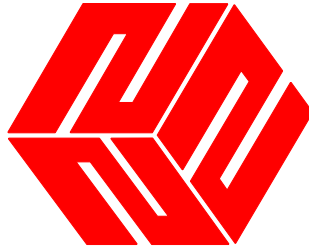
**PARTS MANUAL**

**WYK52FX730V5**

**WYK60FX801V5**

**WYK52ECV7495**

**WYK60ECV7495**



WORLDLAWN<sup>®</sup>

**WORLDLAWN POWER EQUIPMENT, INC.**

**WORLDLAWNPOWEREQUIPMENT.COM**

**2415 ASHLAND AVE  
BEATRICE, NE 68310  
800-267-4255  
FAX – 402-223-4103**



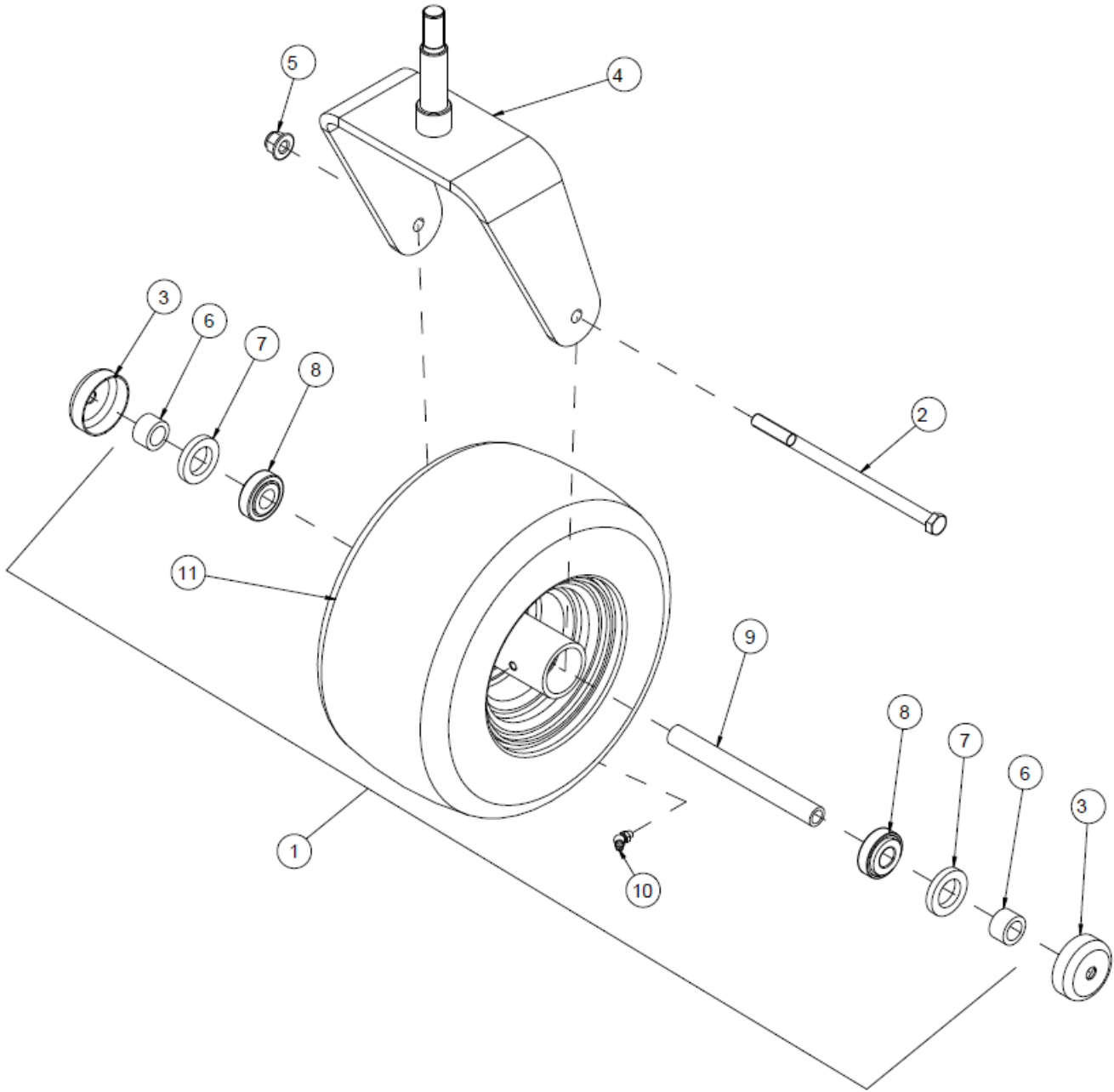
---

---

## Contents

CASTER ASSEMBLY.....	5
FRAME ASSEMBLY 5400 HYDRO MODELS .....	7
MOTION CONTROL ASSEMBLY .....	9
SEAT ASSEMBLY.....	11
REAR TIRE ASSEMBLY – 52” MODELS.....	13
REAR TIRE ASSEMBLY – 60” MODELS.....	14
DECK LIFT ASSEMBLY.....	15
52” DECK ASSEMBLY .....	17
60” DECK ASSEMBLY .....	19
SPINDLE HOUSING ASSEMBLY .....	21
DECK IDLER ASSEMBLY .....	23
LEFT DECK IDLER .....	25
CENTER DECK IDLER.....	26
ENGINE ASSEMBLY FX730V.....	27
ENGINE ASSEMBLY ECV7495 .....	29
FUEL ASSEMBLY.....	31
5400 HYDRO ASSEMBLY .....	33
ROPS ASSEMBLY .....	36
ELECTRICAL ASSEMBLY.....	37
DECAL GROUP.....	39

## CASTER ASSEMBLY

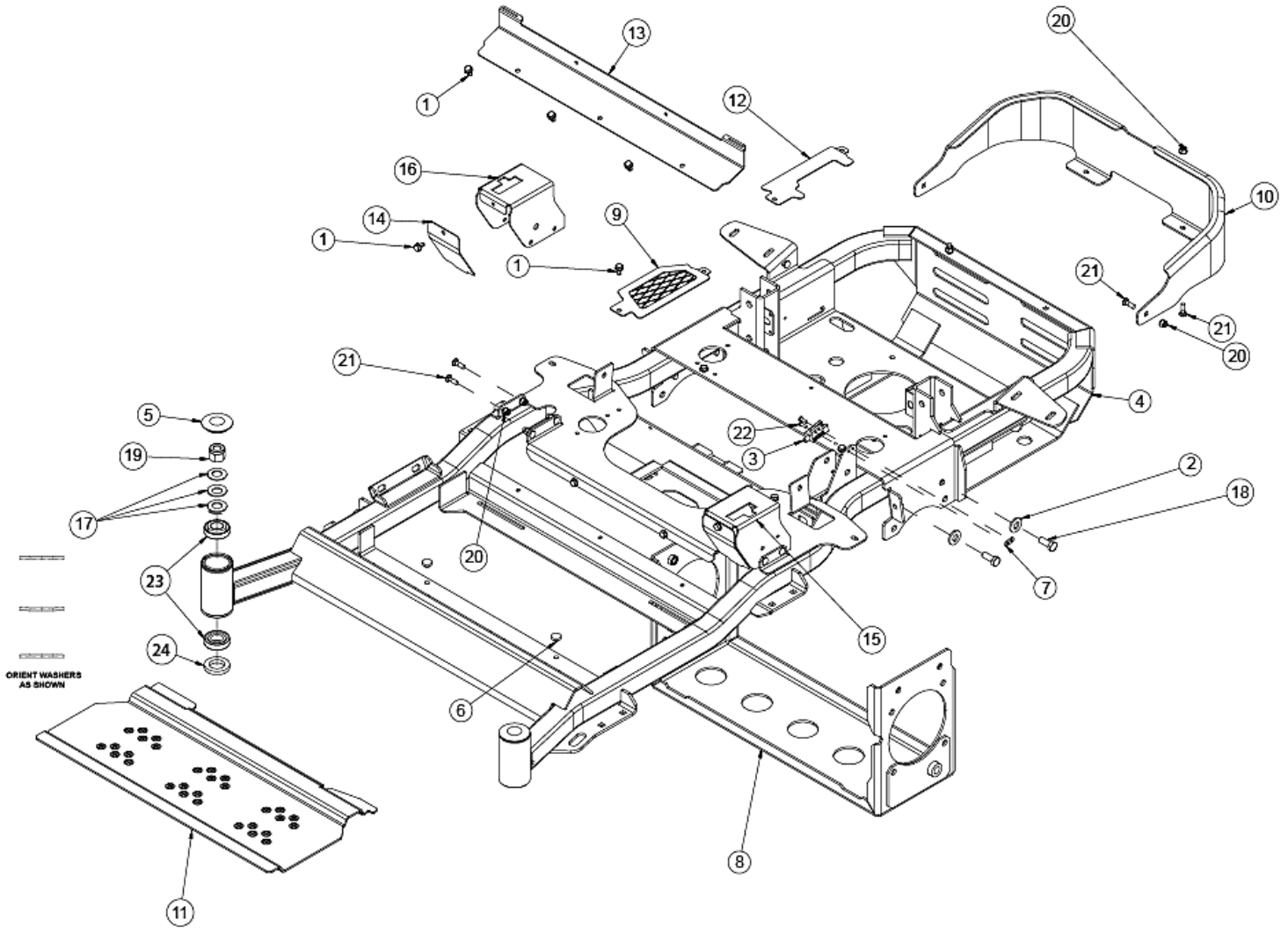


---

## CASTER ASSEMBLY

ITEM	PART NO.	DESCRIPTION
1	542070	ASM, WHEEL COMPLETE 13 X 6.5-6 PNEUM
2	543189	BOLT, M12 X 225 MM
3	5202026	CAP, DUST
4	542011-2	WLD, CASTER FORK 6.5, RED
5	B6183-12	NUT, NYLOC FLANGE M12
6	5202035	SPACER
7	5202036	SEAL. LIP
8	5202037	BEARING, TAPERED ROLLER
9	543230	TUBE, AXLE
10	111009	ZERK, 45° 1/4-28
11	542007	TIRE, 13 X 6.5-6 PNEUMATIC

## FRAME ASSEMBLY 5400 HYDRO MODELS

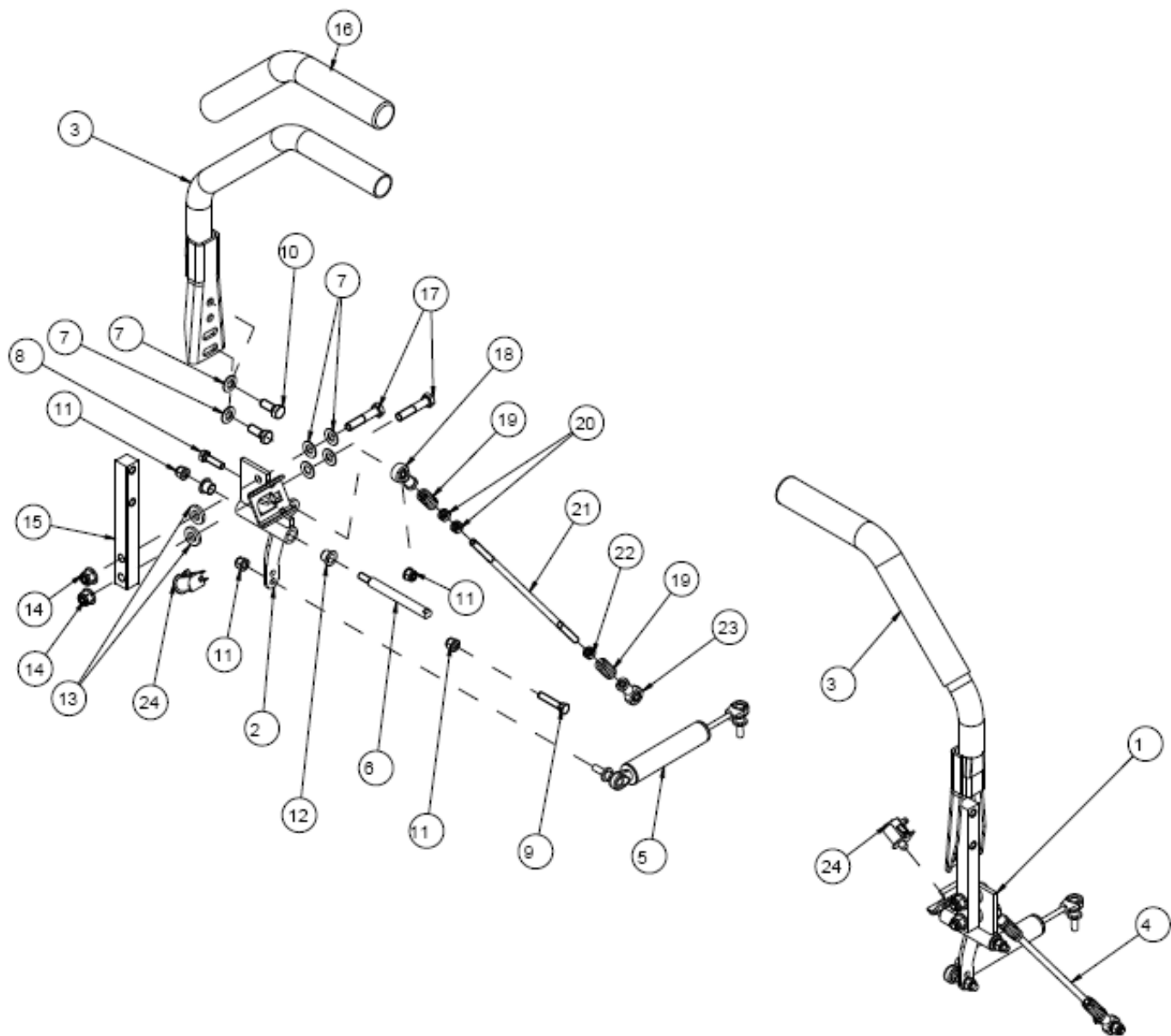


## FRAME ASSEMBLY 5400 HYDRO MODELS

ITEM	PART NO.	DESCRIPTION
1	102500	SCREW, FLANGE TF M8X16 CA-PT
2	105502	WASHER, SPRING DISC 1/2
3	523034	PARK SWITCH
4	542106	52" FRAME W/DECALS 5400
	542107	60" FRAME W/DECALS 5400
5	5202009	DUST CAP
6	5203907	BUMPER, RUBBER
7	5208103	NUT RACK
8	542021-2	WLD, LOWER HYDRO 5400, RED
9	542081-1	WLD, FAN GUARD RH, BLACK
10	543224-1	GUARD, ENGINE, BLACK
11	543226-1	FLOORPAN, BLACK
12	543319-1	GUARD, FAN LH, BLACK
13	543418-1	KICKBOARD, BLK
14	543419-1	COVER, MOTION CONTROL, BLK
15	542108	T SLOT LH W/DECALS
16	542109	T SLOT RH W/DECALS
17	B1972-A40	WASHER, SPRING DISC A40
18	B5783-1230	BOLT M12x30
19	B6182-20	NUT, NYLOC M20
20	B6183-8	NUT, FLANGED NYLOC M8
21	B801-825	BOLT, CARRIAGE SN M8X25
22	B823-516	SCREW M5x16
23	B297-30205	BEARING 30205
24	B13871-B32528	SEAL (F) 32x52x8



## MOTION CONTROL ASSEMBLY



---

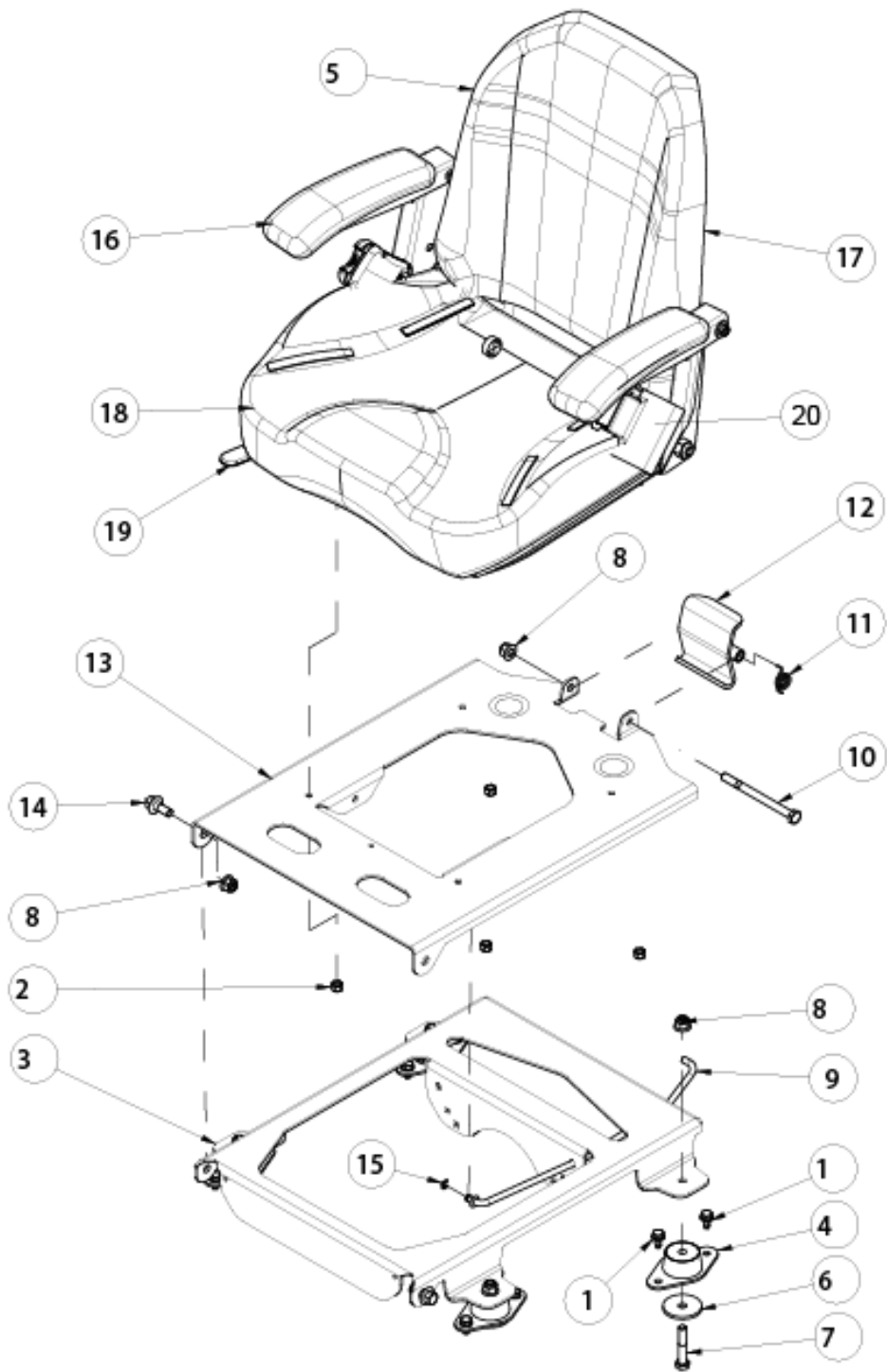


---

## MOTION CONTROL ASSEMBLY

ITEM	PART NO.	DESCRIPTION
1	542044	WLD, MOTION CONTROL LH
2	542079	WLD, MOTION CONTROL RH
3	542048	MOTION CONTROL LEVER W/GRIP
4	542065	5400 LINKAGE COMPLETE
5	543229	DAMPER
6	5002111	ROD, MOTION CONTROL
7	B1972-A22.5-2	WASHER, SPRING DISC A22.5 OD
8	B5783-830	SCREW, HH TAP M8x30
9	B5783-840	SCREW, HH TAP M8 X 40
10	B5783-1025	SCREW, HH TAP M10x25
11	B6183-8	NUT, FLANGED NYLOC M8
12	543154	BUSHING, MOTION CONTROL
13	543152	WASHER, PLASTIC
14	B6183-10	NUT, NYLOC FLANGE M10
15	543153	ARM, MOTION CONTROL
16	543156	GRIP, MOTION CONTROL LEVER
17	B5782-1050	BOLT 10X50
18	5205016	ROD END, SPHERICAL M8 RH SIBJK8S
19	5205003	SPRING, COMPRESSION
20	B6171-8	NUT M8
21	543193	ROD, LINKAGE HYDRO LONG
22	B6171-8L	NUT M8X1 (LH)
23	5205017	ROD END, SPHERICAL M8 LH SILBJK8S
24	353048	SWITCH

## SEAT ASSEMBLY



---

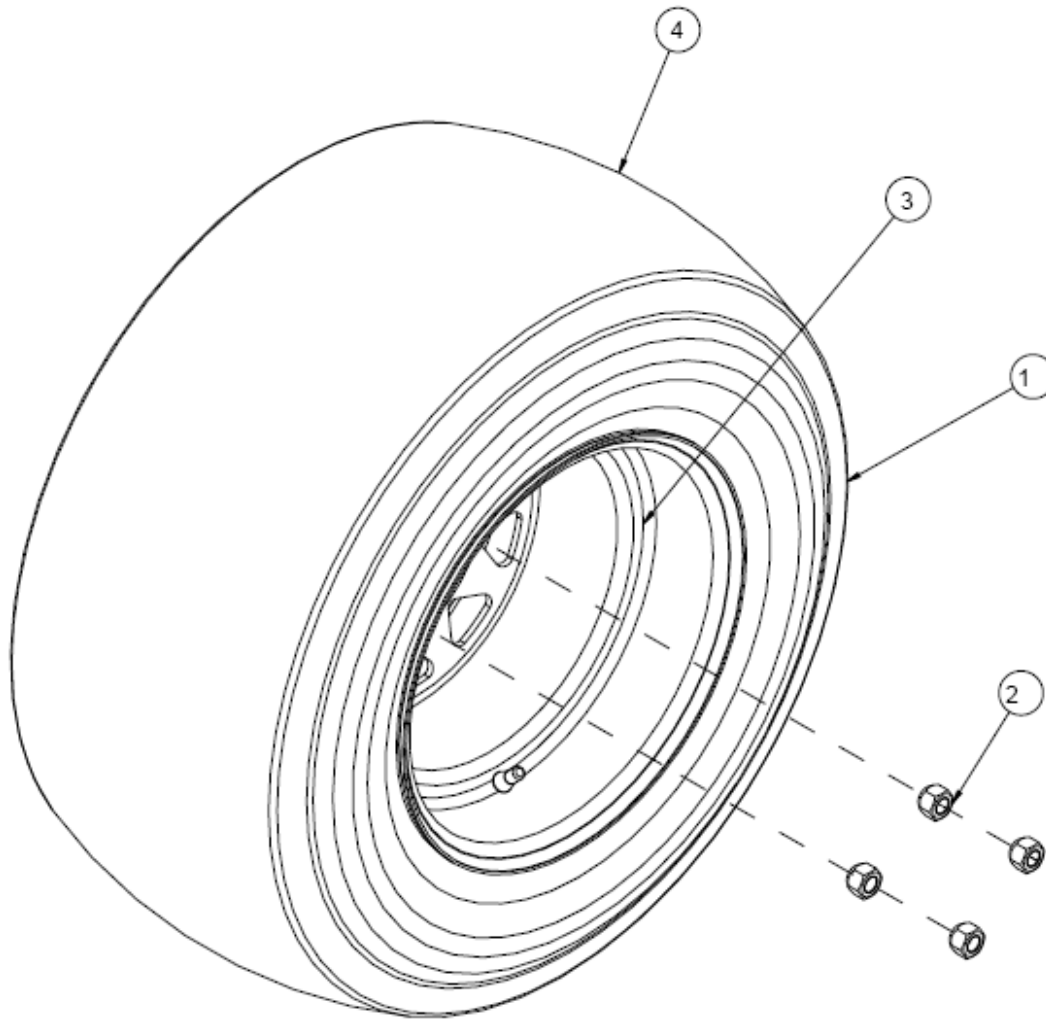


---

## SEAT ASSEMBLY

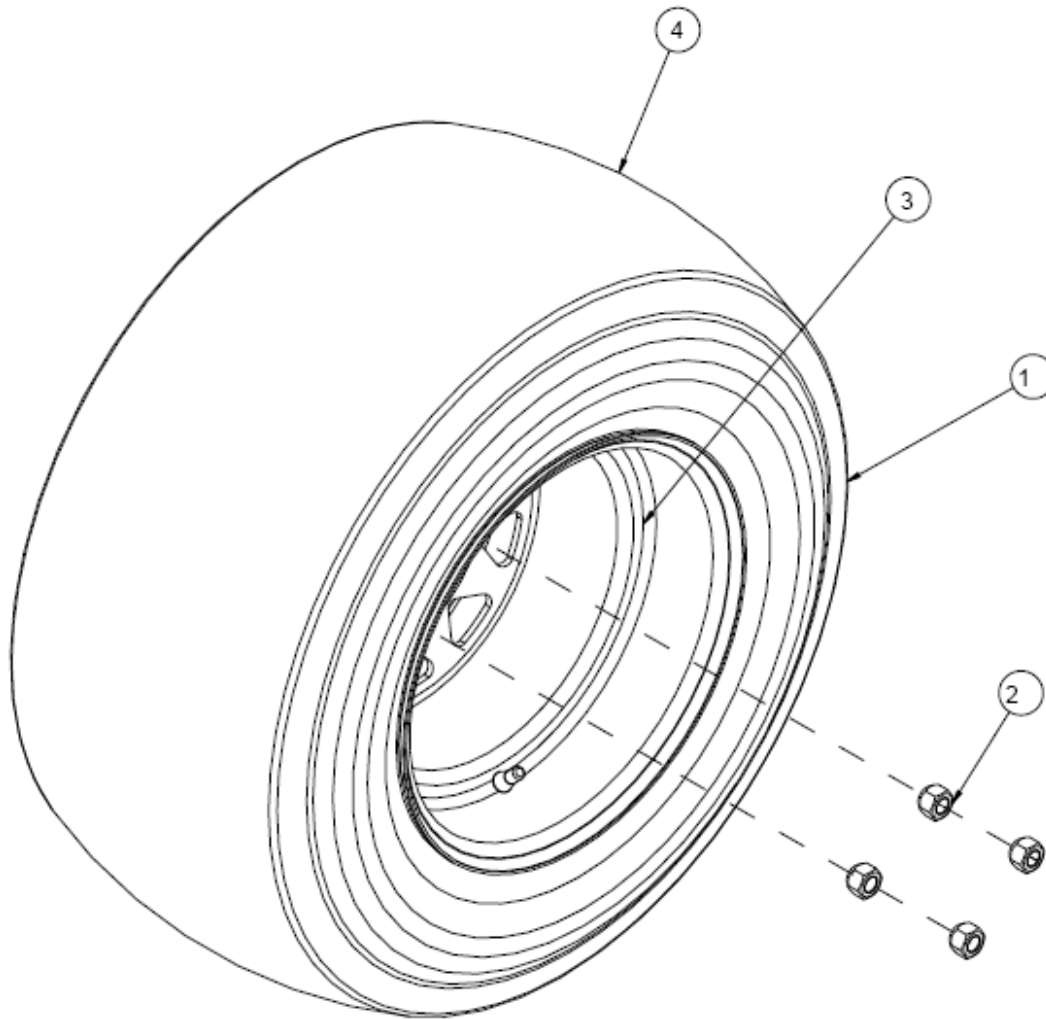
ITEM	PART NO	DESCRIPTION
1	102500	SCREW, FLANGE TF M8X16 CA-PT
2	104256	5/16-18 HEX NYLOC NUT
3	542110	PAN, SEAT, BLACK WITH DECALS
4	543181	ISO- MOUNT, SEAT
5	543271	SEAT, WORLDLAWN
6	543296	WASHER, SNUBBER
7	B5782-1055	SCREW, HH M10x55
8	B6183-10	NUT, NYLOC FLANGE M10
9	543252	SEAT ROD
10	B5782-10125	SCREW, HH M10x125
11	543180	SPRING, TORSION
12	542060	WLD, SEAT LATCH
13	542111	FRAME, SEAT, BLACK WITH DECALS
14	543177	SHOULDER BOLT 10MM
15	B896-6	E-CLIP 6
16	593097	ARM REST PAD-GREY/MOLDED
17	543442	BACK, SEAT WL
18	543441	CUSHION, SEAT WL
19	543438	KIT, SEAT TRACK 4"
20	543004	KIT, SEAT BELT, RETRACTABLE

## REAR TIRE ASSEMBLY – 52” MODELS



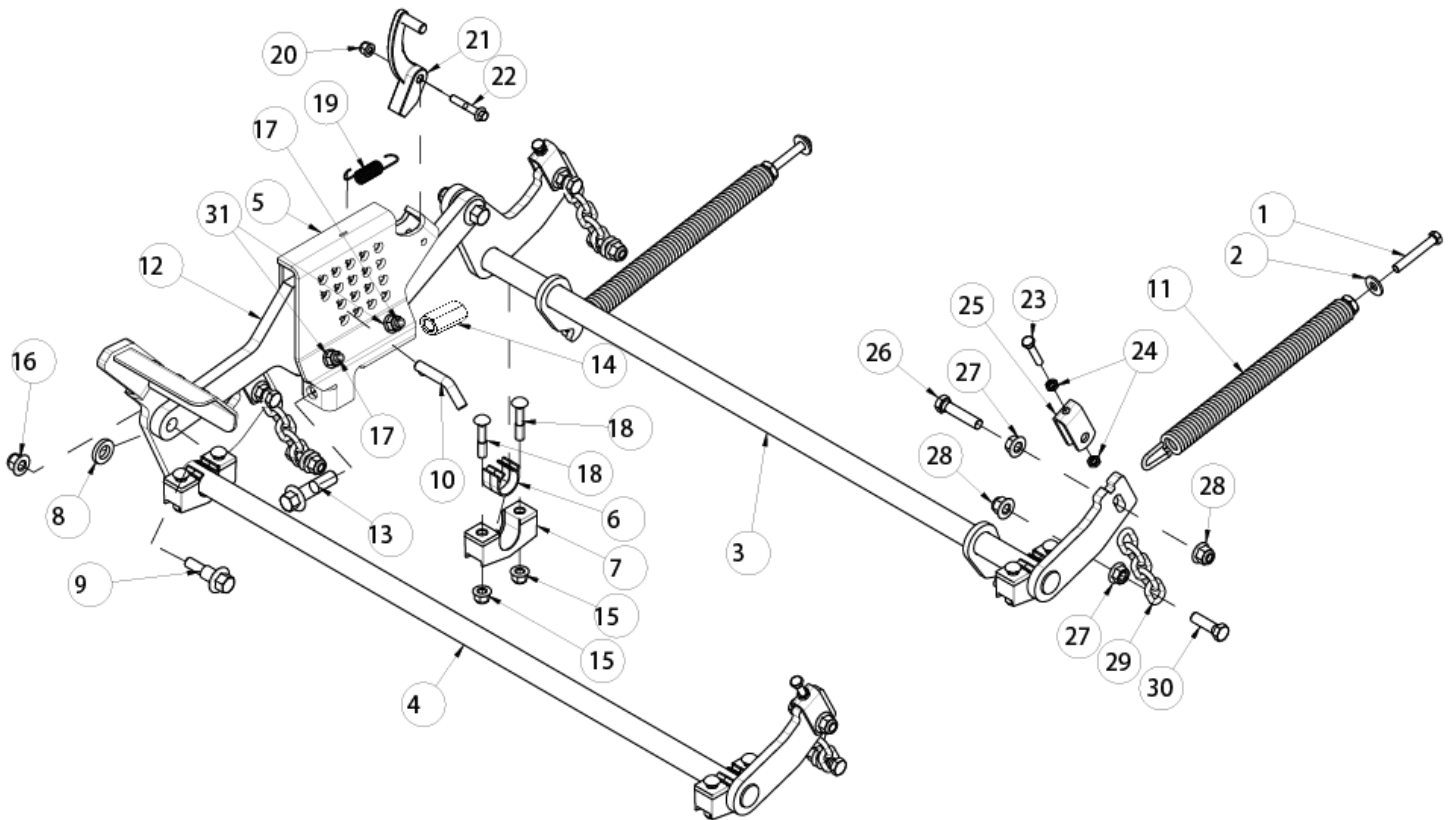
ITEM	PART NO.	DESCRIPTION
1	543427	ASM, WHEEL 24 X 9.5-12
2	103023	1/2-20 X 60 T LUG NUT
3	542101	WHEEL, 12 X 7
4	542102	TIRE, 24 X 9.5-12

## REAR TIRE ASSEMBLY – 60” MODELS



ITEM	PART NO.	DESCRIPTION
1	543012	ASM, WHEEL 24 X 12-12
2	103023	1/2-20 X 60 T LUG NUT
3	542018	WHEEL, 12 X 10.5
4	542019	TIRE, 24 X 12.0-12

## DECK LIFT ASSEMBLY

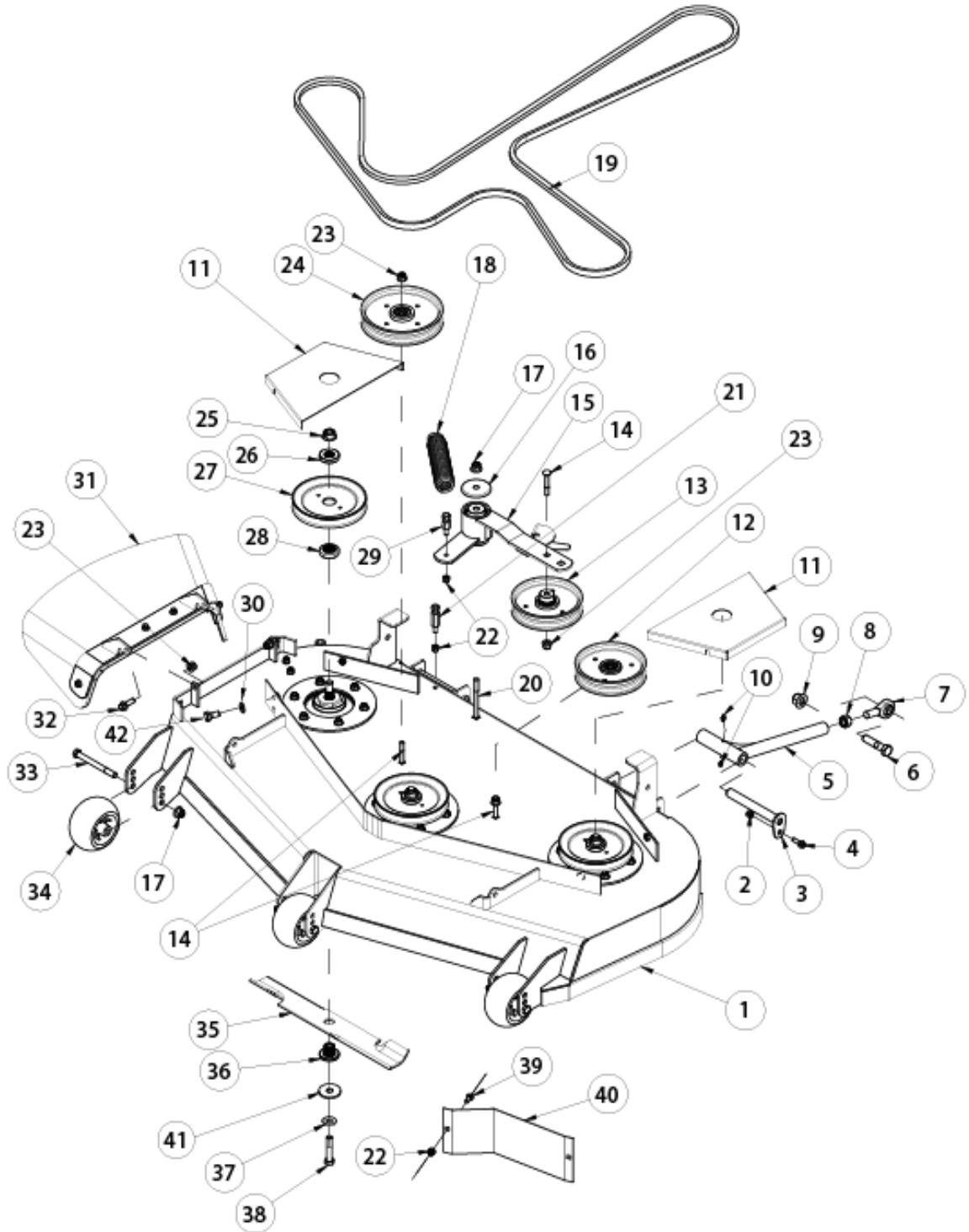


## DECK LIFT ASSEMBLY

ITEM	PART NO.	DESCRIPTION
1	100028	SCREW, HH TAP 3/8-16 X 2-1/2
2	105260	3/8 STD FLAT WASHER
3	542038	ASM, CROSS SHAFT REAR
4	542039	ASM, CROSS SHAFT FRONT
5	542112	HOC PLATE WITH DECAL
6	543123	BUSHING, CROSS SHAFT
7	543124	MOUNT, CROSS SHAFT
8	543126	SPACER, 16MM X 5M
9	543127	BOLT, SHOULDER 12MM
10	543207	PIN, HOC
11	622135	SPRING TENSION ASSY.755x1.147x14.71
12	543122-1	LINK, SIDE, BLACK
13	B5787-1660	SCREW, HH FLANGE M16 X 60
14	543445	NUT, LONG 16MM
15	B6183-10	NUT, NYLOC FLANGE M10
16	B6183-12	NUT, NYLOC FLANGE M12
17	B801-1030	BOLT, CARRIAGE SN M10X30
18	B801-1050	BOLT, CARRIAGE SN M10x50
19	543302	SPRING, EXTENSION
20	B6183-8	NUT, FLANGED NYLOC M8
21	543138	PAWL, TRANSPORT
22	B5787-845	SCREW, HH FLANGE M8X45
23	B5783-840	SCREW, HH TAP M8 X 40
24	B6172-8	NUT, THIN HEX M8
25	543125	YOKE, DECK ADJUST
26	B5783-1255	SCREW,HH TAP M12 x 55
27	B6177-12	Nut M12
28	B6183-12	NUT, NYLOC FLANGE M12
29	423359	CHAIN (5 LINKS)
30	B5783-1240	SCREW, HH TAP M12 x 40



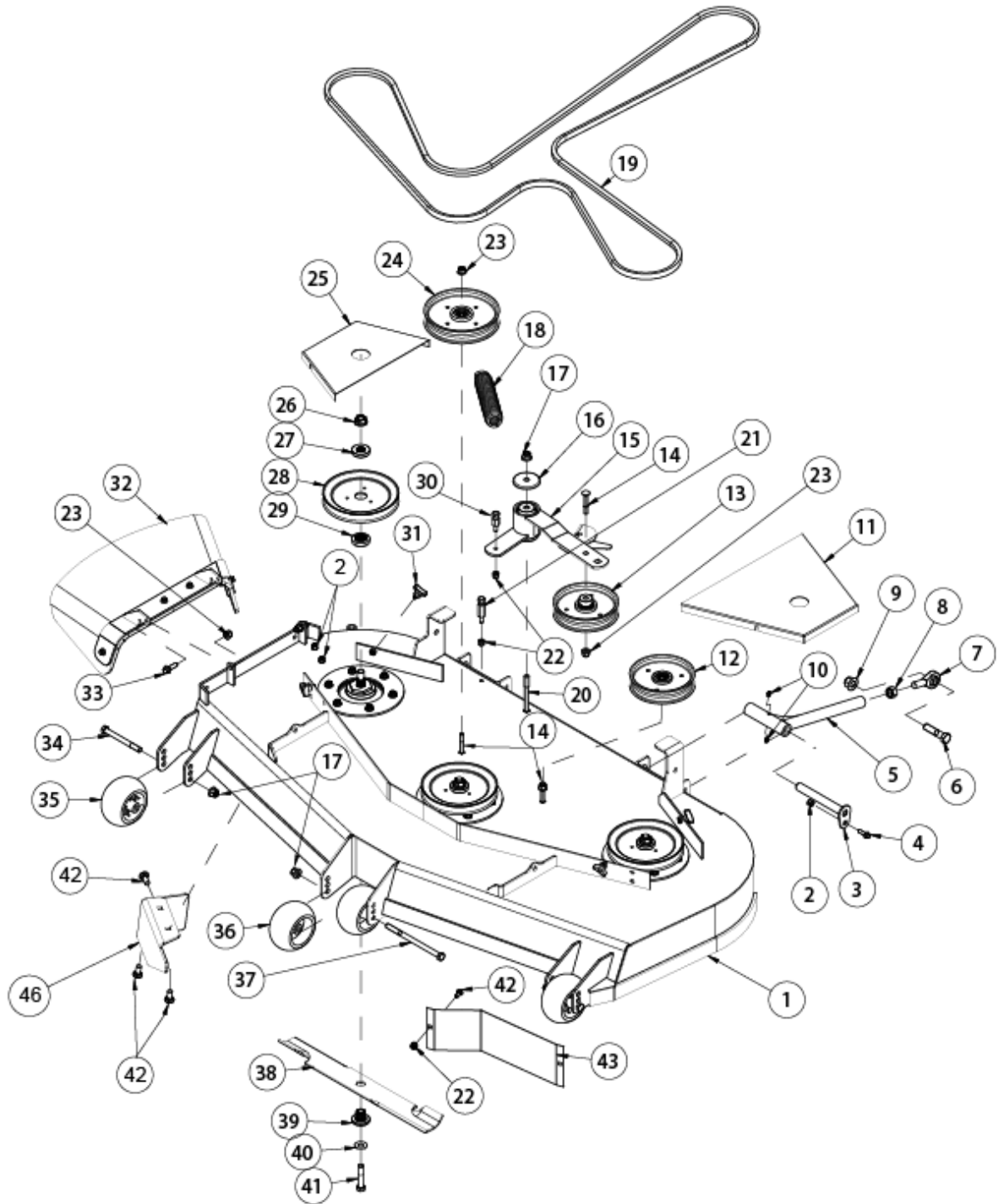
## 52" DECK ASSEMBLY



## 52" DECK ASSEMBLY

ITEM	PART NO.	DESCRIPTION
1	542113	52" DECK WITH DECALS
2	B6183-8	NUT, FLANGED NYLOC M8
3	5201055	AXLE PIN WELDMENT
4	B5787-825	SCREW, HH FLANGE M8x25
5	542024-1	WLD, STRUT, BLACK
6	B5782-1665	SCREW, HH M16 X 65
7	SABJK16C	ROD END, SPHERICAL 16mm
8	B6170-16	NUT M16
9	B6182-16	NUT, FLANGED NYLOC M16
10	B1152-6	GREASE FITTING M6
11	542115	SHIELD, BELT SHORT, RED WITH DECAL
12	542124	IDLER, FLAT 150mm W/NEW SPACER COMPLETE SEE PG 26
13	542036	IDLER, FLAT 150mm W/SPACER COMPLETE SEE PG 23
14	B801-1060	BOLT, CARRIAGE M10 X 60
15	542071	ASM, DECK IDLER ARM COMPLETE SEE PG 23
16	543099	CAP, DUST
17	B6182-12	NUT, NYLOC FLANGE M12
18	5201002	SPRING, EXTENSION
19	543097	BELT, DECK 52"
20	B801-12110	BOLT, CARRIAGE SN M12 X 110
21	543374	ANCHOR, SPRING 1.46
22	B6183-8	NUT, FLANGED NYLOC M8
23	B6183-10	NUT, NYLOC FLANGE M10
24	542125	IDLER, FLAT 175mm W/NEW SPACER SEE PG 25
25	109047	NUT, FLANGE SIDELOCK 5/8-18 UNF
26	543337	SPACER, SPINED
27	543013	SHEAVE, BLADE DRIVE 6.23
28	543014	SPACER, BLADE DRIVE
29	543100	ANCHOR, SPRING .91
30	B97.1-8	WASHER 8
31	6001050	ASM, DISCHARGE CHUTE 52/60
	6001052	INNER BRACKET, DISCHARGE CHUTE
	6001053	RUBBER DISCHARGE CHUTE
	6001054	OUTER BRACKET, DISCHARGE CHUTE
32	B5787-1030	SCREW, HH FLANGE M10x30
33	B5782-12120	SCREW, HH M12 X 120
34	543225	ROLLER, ANTI SCALP
35	543293	BLADE, STD 18.0"
36	543085	DRIVER, BLADE
37	105502	WASHER, SPRING DISC 1/2
38	100537	1/2-20 X 2-1/2 HHCS
39	B801-820	BOLT, CARRIAGE SN M8X20
40	543046-2	BAFFLE, BIRDWING LH, PTD
41	103038	WASHER, FLAT .530 X 1.75 X .125
42	B5783-816	SCREW, HH TAP M8x16

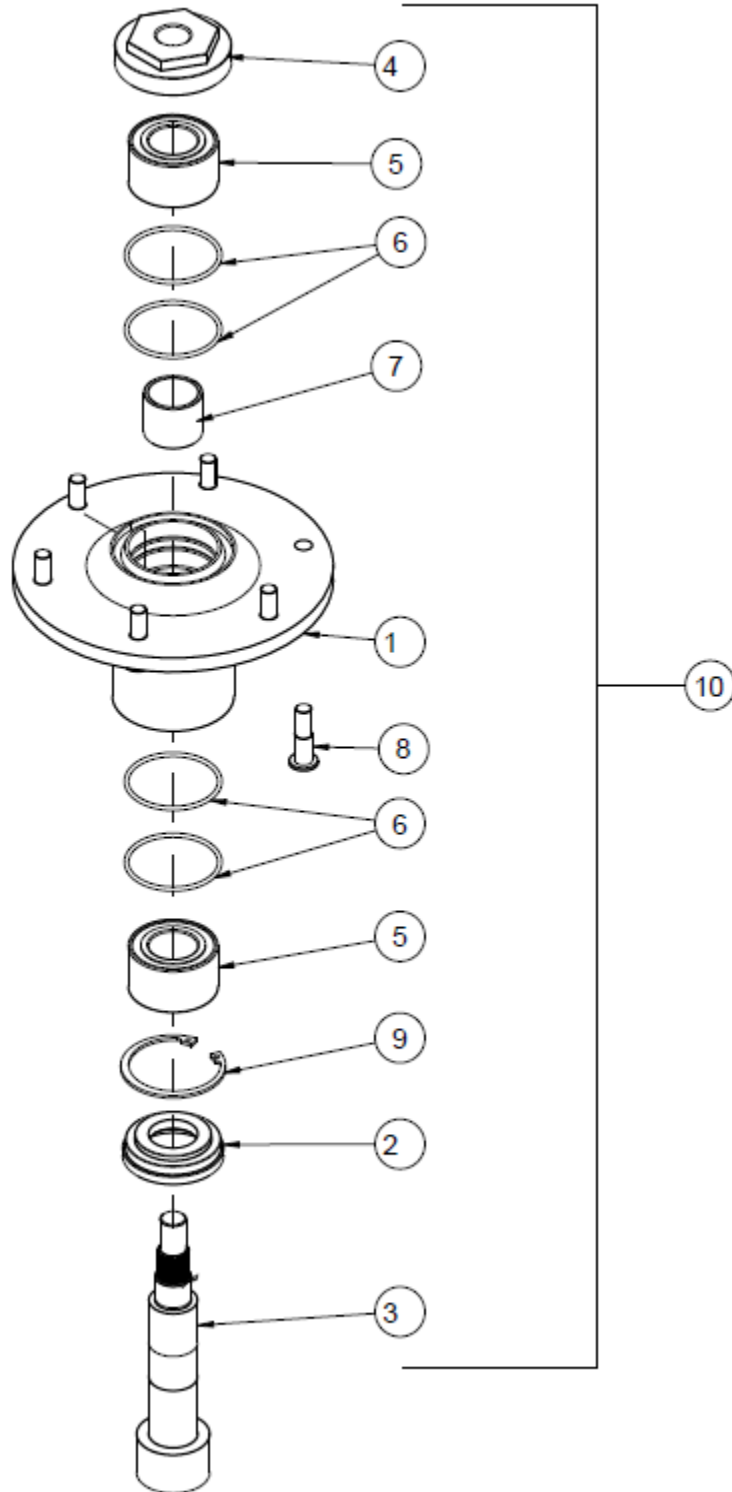
## 60" DECK ASSEMBLY



## 60" DECK ASSEMBLY

ITEM	PART NO.	DESCRIPTION
1	542114	60" DECK WITH DECALS
2	B6183-8	NUT, FLANGED NYLOC M8
3	5201055	AXLE PIN WELDMENT
4	B5787-825	SCREW, HH FLANGE M8x25
5	542024-1	WLD, STRUT, BLACK
6	B5782-1665	SCREW, HH M16 X 65
7	SABJK16C	ROD END, SPHERICAL 16mm
8	B6170-16	NUT M16
9	B6182-16	NYLOC NUT M16
10	B1152-6	GREASE FITTING M6
11	542116	BELT SHIELD, LOMG WITH DECALS
12	542124	IDLER, FLAT 150MM W/NEW SPACER SEE PG 26
13	542036	IDLER, FLAT 150mm W/SPACER COMLETE SEE PG 23
14	B801-1060	BOLT, CARRIAGE M10 X 60
15	542071	ASM, DECK IDLER ARM COMPLETE SEE PG 23
16	543099	CAP, DUST
17	B6183-12	NUT, NYLOC FLANGE M12
18	5201002	SPRING, EXTENSION
19	543103	BELT, DECK 60"
20	B801-12110	BOLT, CARRIAGE SN M12 X 110
21	543374	ANCHOR, SPRING 1.46
22	B6183-8	NUT, FLANGED NYLOC M8
23	B6183-10	NUT, NYLOC FLANGE M10
24	542125	IDLER, FLAT 175MM W/NEW SPACER SEE PG 25
25	542115	BELT SHEILD, SHORT W/DECALS
26	109047	NUT, FLANGE SIDELOCK 5/8-18 UNF
27	543337	SPACER, SPINED
28	543080	SHEAVE, BLADE DRIVE 6.86
29	543014	SPACER, BLADE DRIVE
30	543100	ANCHOR, SPRING .91
31	B97.1-8	WASHER 8
32	6001050	ASM, DISCHARGE CHUTE 52/60
	6001052	INNER BRACKET, DISCHARGE CHUTE
	6001053	RUBBER DISCHARGE CHUTE
	6001054	OUTER BRACKET, DISCHARGE CHUTE
33	B5787-1030	SCREW, HH FLANGE M10x30
34	B5782-12120	SCREW, HH M12 X 120
35	543225	ROLLER, ANTI SCALP
36	423023	ROLLER, ANTI SCALP, CENTER
37	5202029	SCREW, HH CAP M12 X 185
38	543294	BLADE, STD 20.5"
39	543085	DRIVER, BLADE
40	105502	WASHER, SPRING DISC 1/2
41	100537	1/2-20 X 2-1/2 HHCS
42	B801-820	BOLT, CARRIAGE SN M8X20
43	543217-2	BAFFLE, BIRDWING 60, RED
44	103038	WASHER, FLAT .530 X 1.75 X .125
45	B5783-816	SCREW, HH TAP M8x16
46	543214-2	BAFFLE, DOGLEG 60, RED

## SPINDLE HOUSING ASSEMBLY



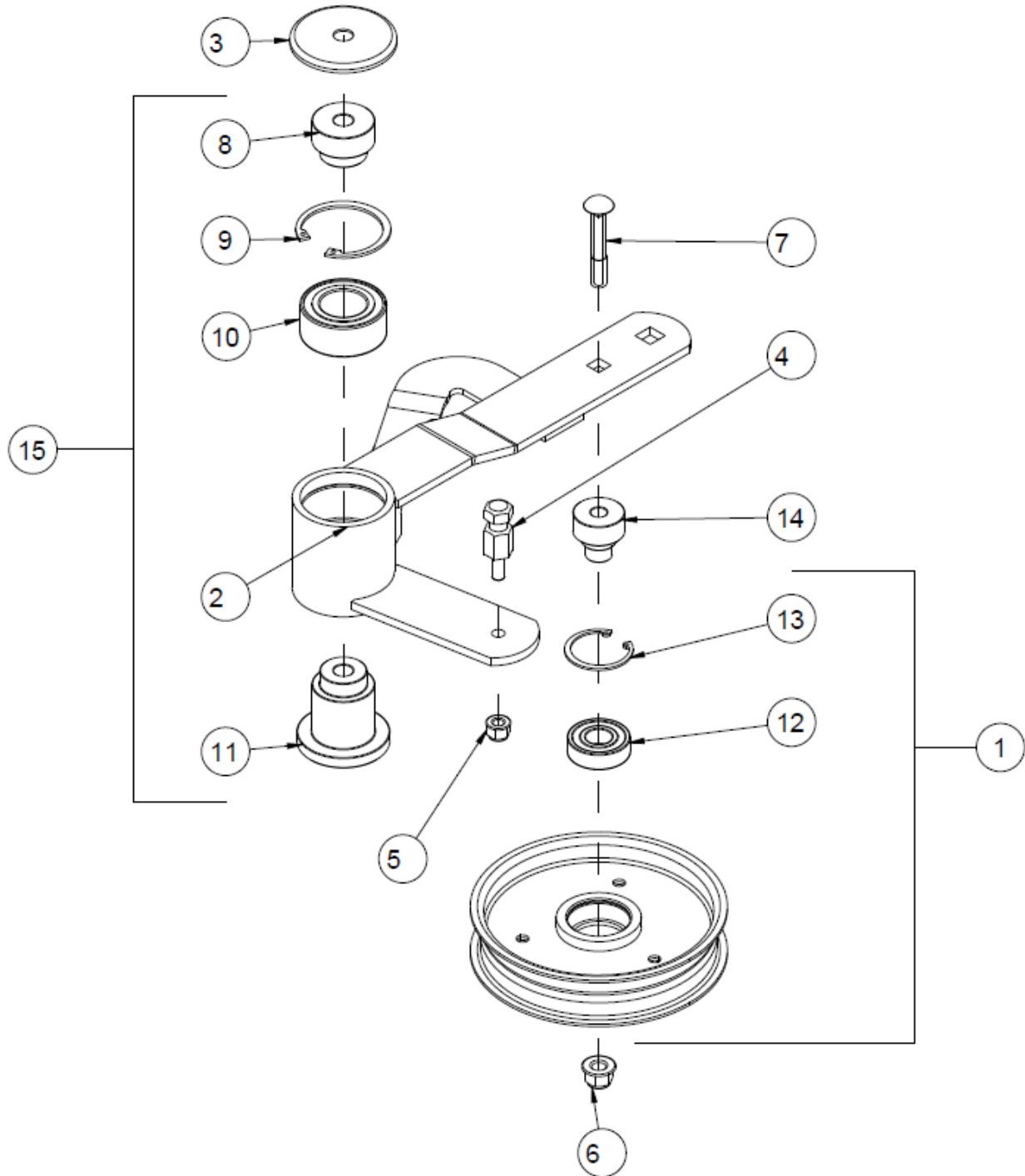
---

---

### SPINDLE HOUSING ASSEMBLY

ITEM	PART NO.	DESCRIPTION
1	542012	HOUSING, CUTTER WITH STUDS
2	543008	GUARD, BOTTOM
3	543009	SPINDLE
4	543010	NUT, SPINDLE
5	543166	BEARING, DAC3055RK
6	B3452.1-545X265	O-RING 54.5 X 2.65
7	543237	SPACER
8	543015	STUD, WHEEL 10MM
9	B893.2-60	RING, SNAP INTERNAL 60mm
10	542014	ASM, CUTTER HOUSING

## DECK IDLER ASSEMBLY



---

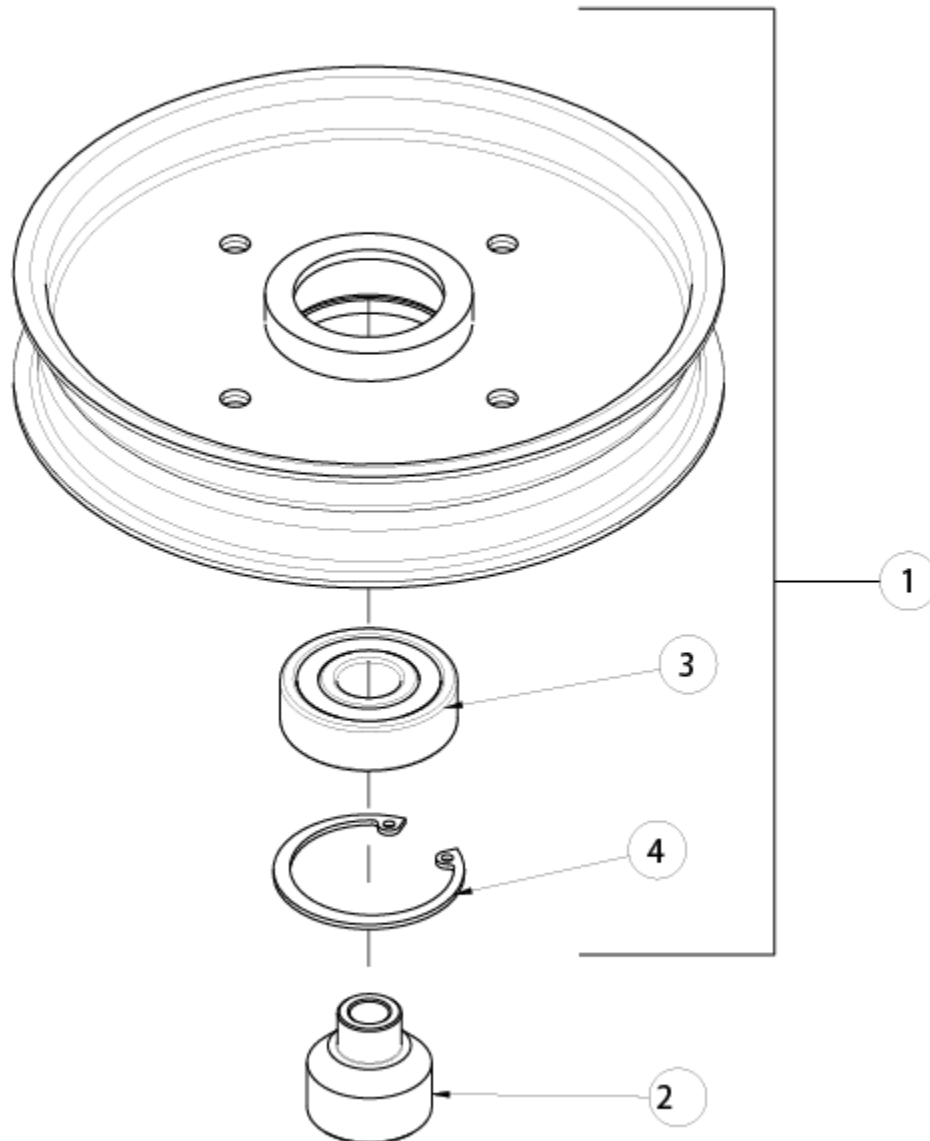
---

## DECK IDLER ASSEMBLY

ITEM	PART NO.	DESCRIPTION
1	542036	IDLER, FLAT 150mm W/SPACER
2	542072	WLD, DECK IDLER ARM
3	543099	CAP, DUST
4	543100	ANCHOR, SPRING .91
5	B6183-8	NUT, FLANGED NYLOC M8
6	B6183-10	NUT, NYLOC FLANGE M10
7	B801-1060	BOLT, CARRIAGE M10 X 60
8	543096	SPACER, STEPPED
9	B893.2-56	RING, SNAP 56mm
10	543236	BEARING, 30BD40DF2
11	543095	SPACER, STEPPED
12	B276-6203RS	BEARING 6203-2RS
13	B893.1-40	SNAP RING 40
14	543098	SPACER, IDLER
15	542071	ASM, DECK IDLER ARM

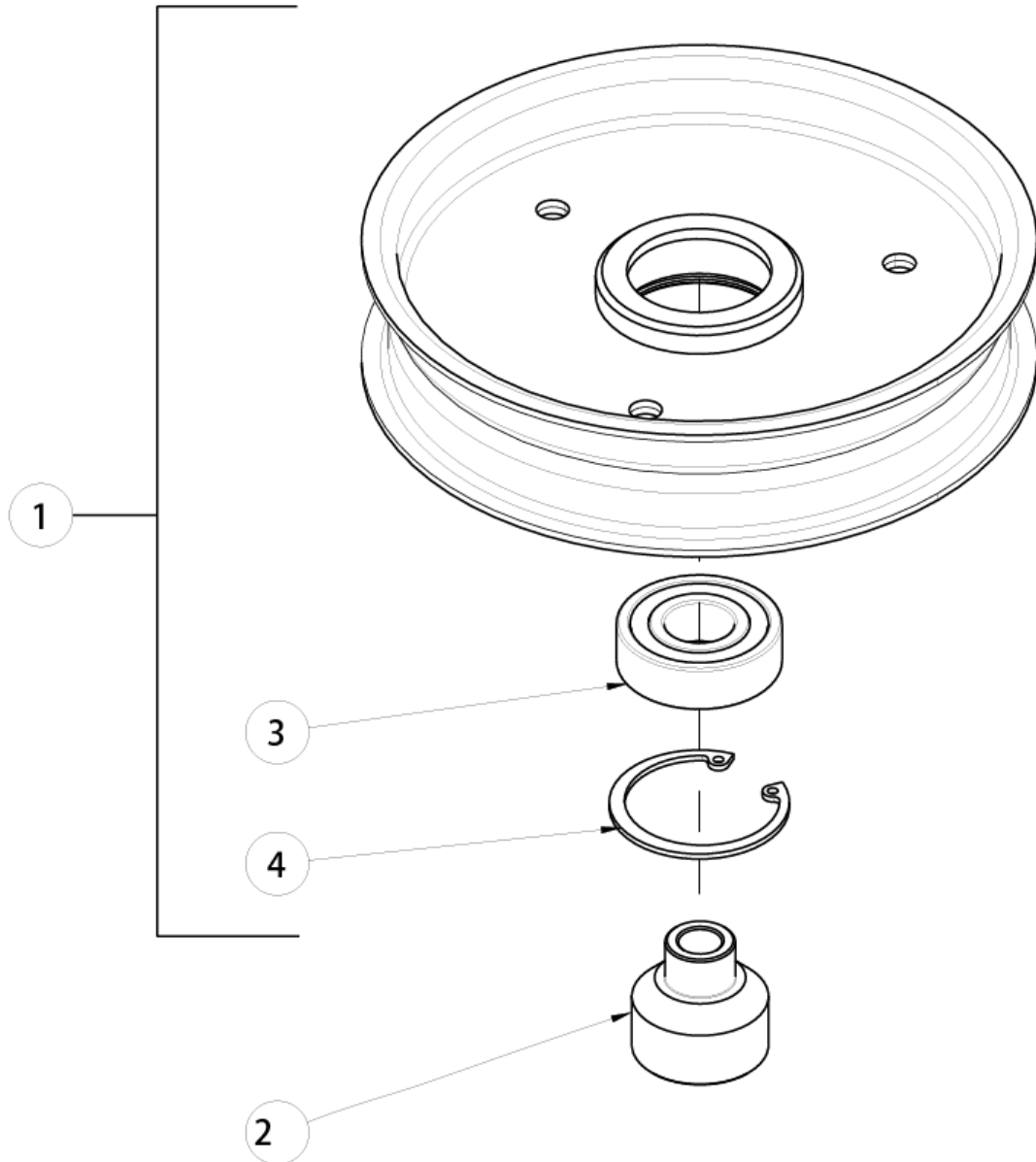


## LEFT DECK IDLER



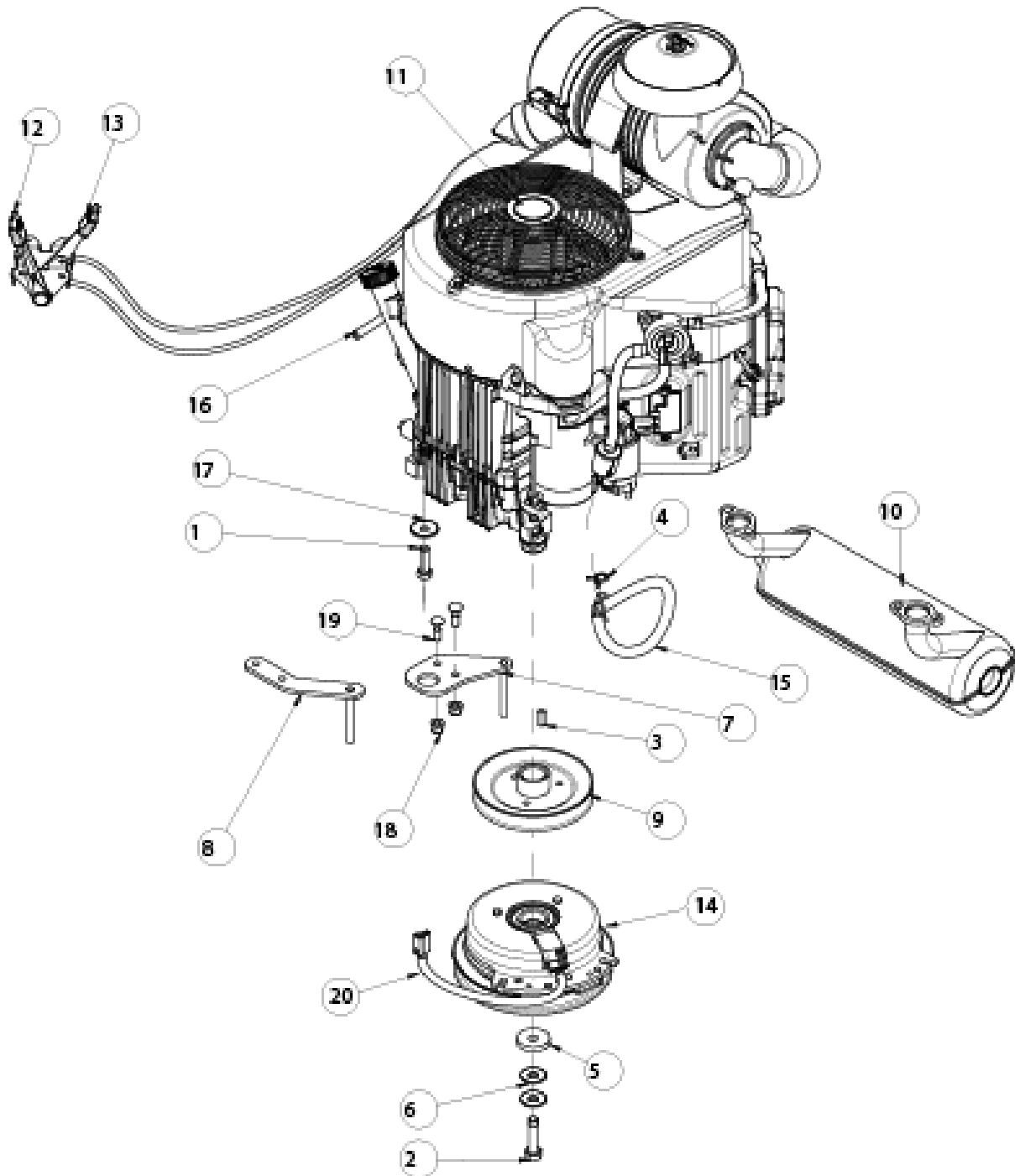
ITEM	PART NO.	DESCRIPTION
1	542031	IDLER, FLAT 175mm
2	543450	STAND-OFF, LG IDLER
3	B276-6303RS	BEARING 6303-2RS
4	B893.1-47	SNAP RING 47

## CENTER DECK IDLER



ITEM	PART NO.	DESCRIPTION
1	542028	ASM, FLAT IDLER 150 MM WITH BEARING
2	543450	STAND-OFF, LG IDLER
3	B276-6203RS	BEARING 6203-2RS
4	B893.1-40	SNAP RING 40

## ENGINE ASSEMBLY FX730V



---

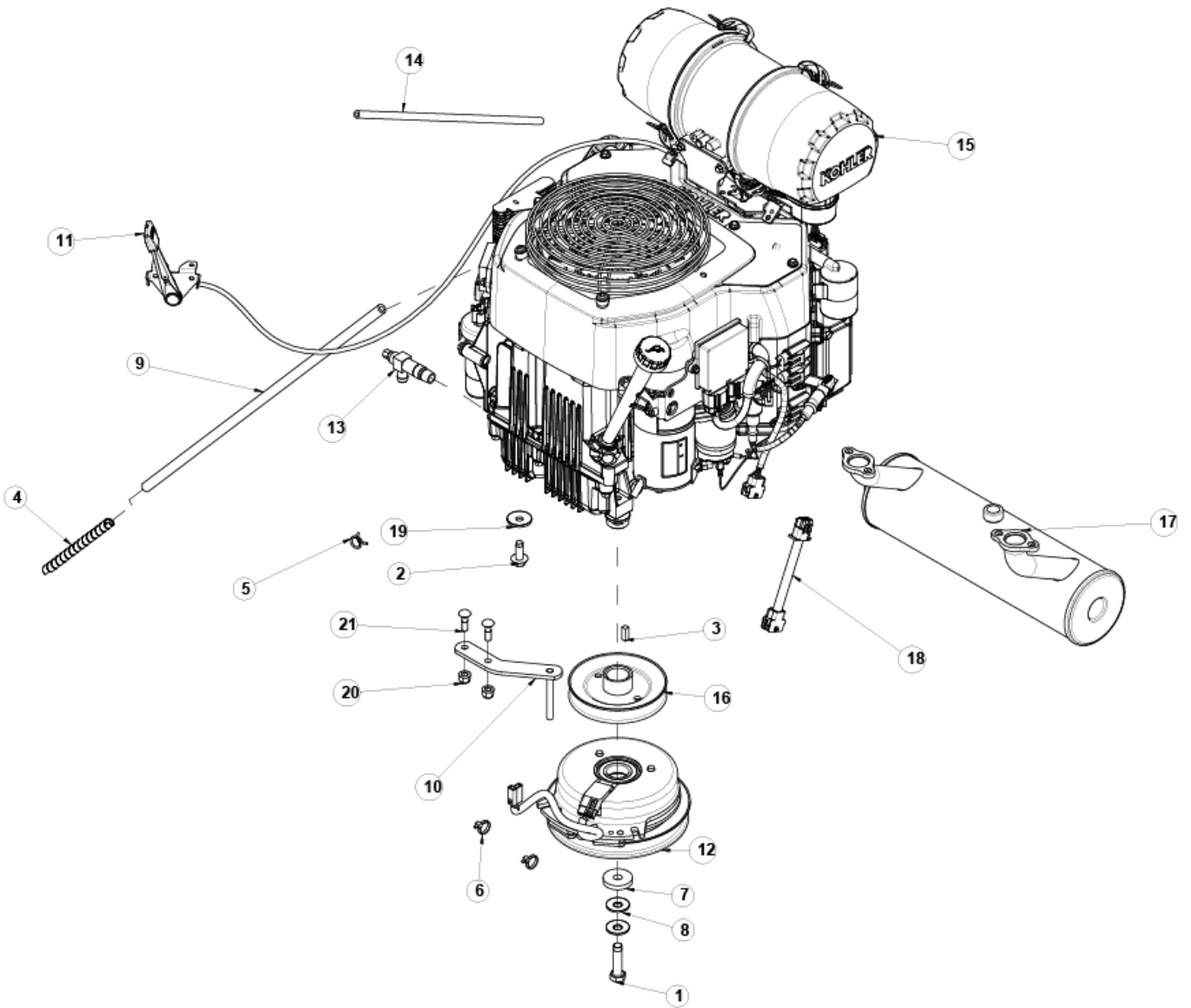


---

### ENGINE ASSEMBLY FX730V

ITEM	PART NO.	DESCRIPTION
1	100293	3/8-16 X 1-1/4 HHCS
2	100533	7/16-20 X 1-3/4 HHCS
3	107258	1/4 X 1/4 X 3/4 MACH KEY
4	363098	CLAMP, FUEL LINE 1/4 ID
5	423068	CLUTCH WASHER
6	423069	WASHER, SPRING DISC.- 7/16
7	542076	WLD, CLUTCH ANCHOR 3400 MODELS
8	542077	WLD, CLUTCH ANCHOR 5400
9	543003	SHEAVE, PUMP DRIVE FOR 3400 HYDRO MODELS
	543411	SHEAVE, PUMP DRIVE FOR 5400 HYDRO MODELS
10	543183	MUFFLER, KAW 726cc
	543184	MUFFLER, KAW 852cc
11	REFERENCE ONLY	ENGINE
12	543250	CABLE, THROTTLE
13	543251	CABLE, CHOKE
14	543288	CLUTCH, MS200 W/PIGTAIL
15	583470	HOSE, FUEL 1/4 ID X 13
16	623418	HOSE, FUEL 3/16 ID X 29
17	753027	WASHER, SPRING DISC
18	B6183-8	NUT, FLANGED NYLOC M8
19	B801-825	BOLT, CARRIAGE SN M8X25
20	543364	HARNESS, CLUTCH PIGTAIL

## ENGINE ASSEMBLY ECV7495



---

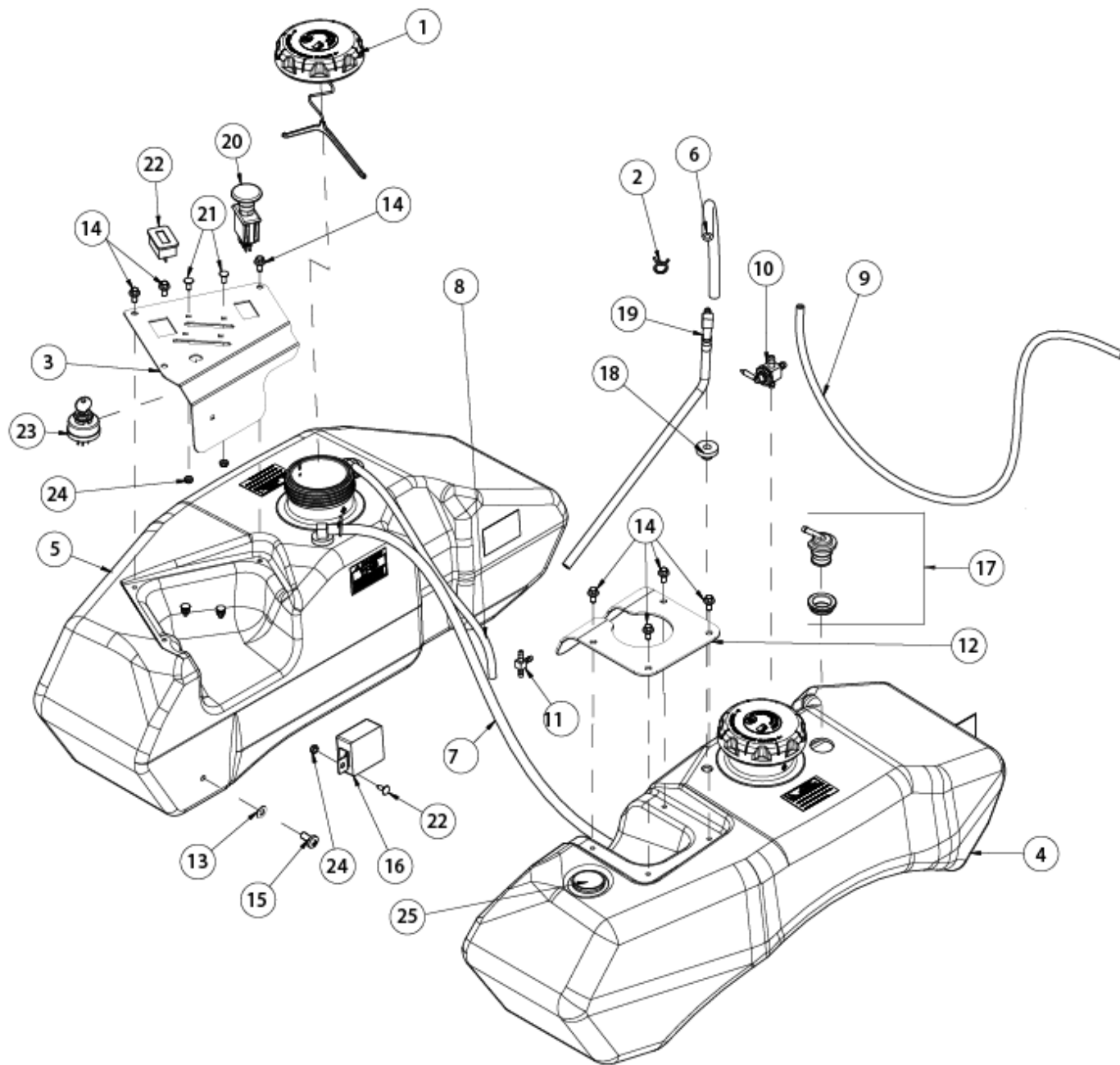


---

**ENGINE ASSEMBLY ECV7495**

<b>ITEM</b>	<b>PART NO.</b>	<b>DESCRIPTION</b>
1	100533	7/16-20 X 1-3/4 HHCS
2	103000	3/8-16 X 1 THD FORMING FLANGE BOLT
3	107258	1/4 X 1/4 X 3/4 MACH KEY
4	353172	3/8" ID X 6" HOSE GUARD
5	363098	CLAMP, FUEL LINE 1/4 ID
6	363222	PLASTIC TIE
7	423068	CLUTCH WASHER
8	423069	SPRING DISC.- 7/16
9	533085	FUEL LINE / 21 1/2" LONG (.25")
10	542077	WLD, CLUTCH ANCHOR 5400
11	543250	CABLE, THROTTLE
12	543288	CLUTCH, MS200 W/PIGTAIL
13	543307	DRAIN, OIL
14	543361	HOSE, VENT 3/16 ID X 15
15	FOR REFERENCE ONLY	ENGINE, KOH ECV749
16	543411	SHEAVE, HYDRO DRIVE – 5400
17	543444	MUFFLER, KOH ECV
18	543448	EFI JUMPER HARNESS
19	753027	SPRING DISC WASHER
20	B6183-8	NUT, FLANGED NYLOC M8
21	B801-825	BOLT, CARRIAGE SN M8X25

## FUEL ASSEMBLY

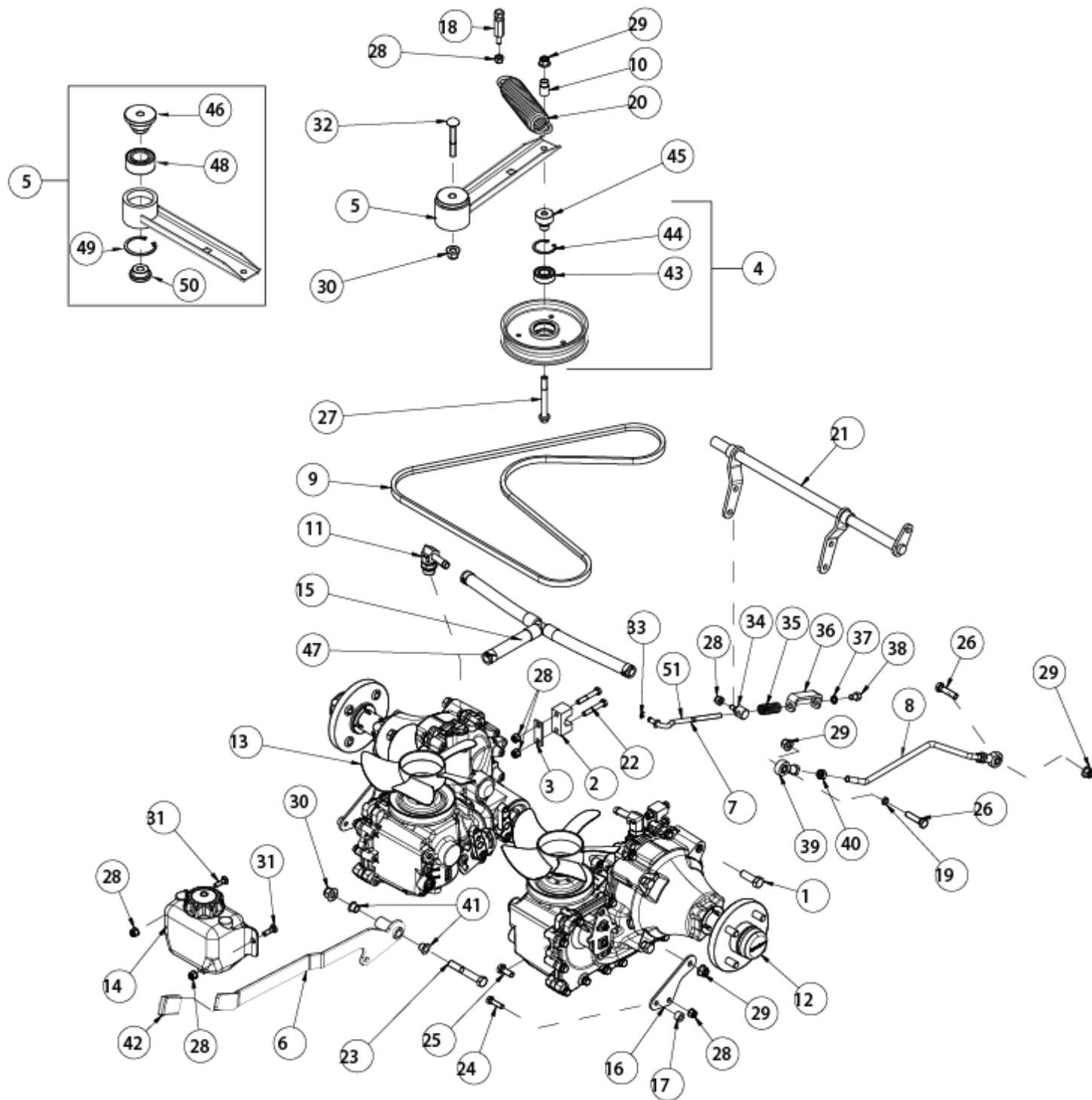


## FUEL ASSEMBLY

ITEM	PART NO.	DESCRIPTION
1	5204019	GAS CAP-EPA
2	363098	CLAMP, FUEL LINE 1/4 ID
3	542117	CONTROL PANEL W/DECAL
4	543279	ASM, FUEL TANK LH - WL
5	543280	ASM, FUEL TANK RH - WL
6	543323	HOSE, FUEL 1/4 ID X 14.5
7	543328	HOSE, FUEL 1/4 ID X 32.5
8	543361	HOSE, VENT 3/16 ID X 15
9	543362	HOSE, VENT 3/16 ID X 36
10	583050	FUEL VALVE
11	5204010	TEE, HOSE 3/16 ID
12	543277-1	CUP HOLDER, BLACK
13	B1972-A16	WASHER, SPRING DISC A16-1
14	B5787-612	SCREW, FLANGED HH M6 X 12
15	B818-816	SCREW, PAN HEAD PHILLIPS M8 X 16
16	543308	MODULE, SEAT DELAY
17	543283	ASM, FUEL VENT W/GROMMET
18	533125	VALVE GROMMET - VITON
19	543306	FITTING, 90° FUEL W/TUBE 10"
20	523031	PTO SWITCH
21	107527	BOLT, CARRIAGE #10-24 X 1/2
22	453417	METER, MS HOUR
23	5208003	IGNITION SWITCH (ELECT)
24	104252	#10-24 HEX NYLOC NUT
25	543278	FUEL GAUGE
NOT SHOWN	5204047	GROMMET, FUEL GAUGE



## 5400 HYDRO ASSEMBLY



## 5400 HYDRO ASSEMBLY

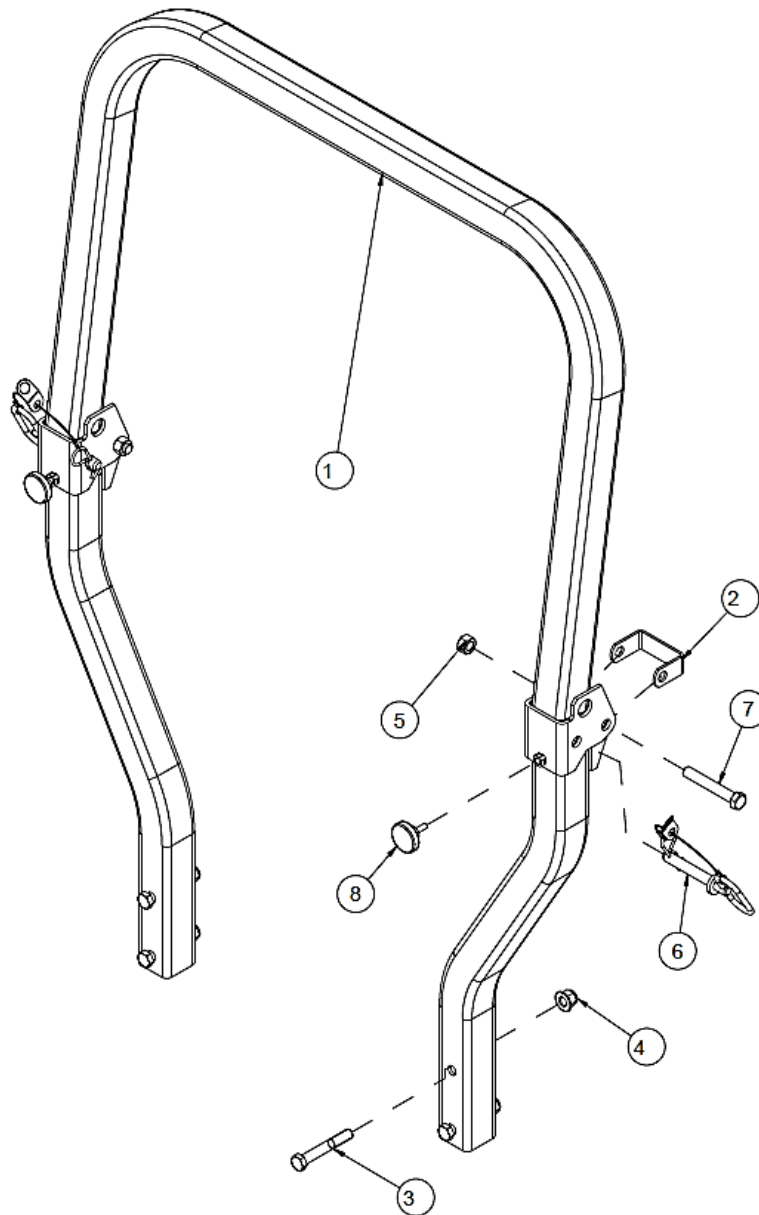
ITEM	PART NO.	DESCRIPTION
1	100327	1/2-13 X 1-1/2 HHCS
2	353028	PIVOT BLOCK
3	353047	PIVOT BLOCK PLATE
4	542028	ASM, IDLER, FLAT 150MM W/BEARING
5	542126	ASM, HYDRO IDLER 5400 W/BEARING
6	542067	ASM, BRAKE LEVER WITH GRIP AND BUSHING
7	542094	ASM, BRAKE LINK 5400 COMPLETE
8	542103	ASM, BRAKE ROD COMPLETE
9	543005	BELT, HYDRO
10	543169	SPACER
11	543199	ADAPTER, HYDRAULIC 4601-08-10
12	543208	HYDRO, ZT 5400LH – 1015-1039L
13	543209	HYDRO, ZT 5400 RH – 1015-1039R
14	543285	TANK, HYDRO OVERFLOW 1 QT
15	543287	ASM, HYDRO VENT 5400
16	543315	EXTENSION, CONTROL ARM
17	543316	SPACER
18	543374	ANCHOR, SPRING 1.46
19	4801302	SPACER
20	5201002	SPRING, EXTENSION
21	542099-1	WLD, CROSS SHAFT BRAKE, BLACK
22	B5782-850	SCREW, HH M8x50
23	B5782-1280	SCREW, HH M12 X 80
24	B5783-830	SCREW, HH TAP M8x30
25	B5783-1025	SCREW, HH TAP M10x25
26	B5783-1040	BOLT M10X40
27	B5787-1090	SCREW, HH FLANGE M10 X 90
28	B6183-8	NUT, FLANGED NYLOC M8
29	B6183-10	NUT, NYLOC FLANGE M10
30	B6183-12	NUT, NYLOC FLANGE M12
31	B801-825	BOLT, CARRIAGE SN M8X25
32	B801-1275	BOLT, CARRIAGE SN M12 X 75
33	B896-6	E-CLIP 6
34	543201	SWIVEL, BRAKE
35	523024	SPRING, COMPRESSION
36	543386	RETAINER, BRAKE SPRING
37	363177	3/8 PUSH NUT
38	543387	NUT, BRAKE SPRING
39	543430	END, SPHERICAL ROD M10
40	B6170-10	NUT M10X1
41	543154	BUSHING, MOTION CONTROL
42	543300	GRIP, PARK BRAKE
43	B276-6203RS	BEARING 6203-2RS

---

## 5400 HYDRO ASSEMBLY

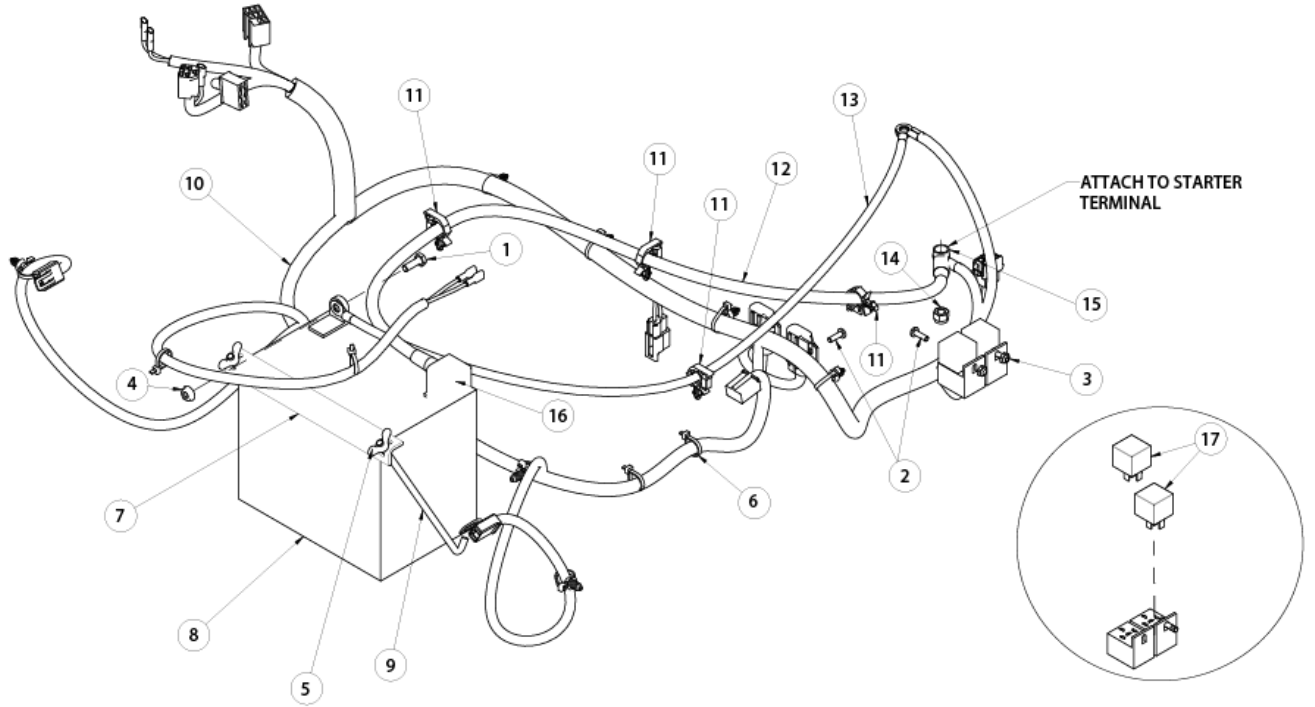
ITEM	PART NO.	DESCRIPTION
44	B893.1-40	SNAP RING 40
45	543098	SPACER, IDLER
46	543162	SPACER, STEPPED
47	363269	CLAMP, HYDRO HOSE
48	543236	BEARING, 30BD40DF2
49	B893.2-56	RING, SNAP 56mm
50	543164	SPACER, STEPPED
51	543205	LINK, BRAKE 5400
52	542028	IDLER, FLAT 150 mm

## ROPS ASSEMBLY



ITEM	PART NO.	DESCRIPTION
1	541002	ROPS ASSEMBLY, COMPLETE
2	543443	ROPS STOP
3	B5782-1280	SCREW, HH M12 X 80
4	B6183-12	NUT, NYLOC FLANGE M12
5	104259	1/2-13 HEX NYLOC NUT
6	543262	PIN, ROPS W/LANYARD
7	100332	SCREW, HH 1/2-13 X 3-1/4
8	543261	KNOB, ROPS

## ELECTRICAL ASSEMBLY



---

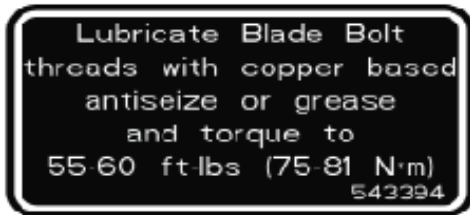


---

## ELECTRICAL ASSEMBLY

<b>ITEM</b>	<b>PART NO.</b>	<b>DESCRIPTION</b>
1	100252	1/4-20 X 3/4 HHCS
2	101039	#10-24 X 5/8 MACH SCREW
3	104252	#10-24 HEX NYLOC NUT
4	109000	1/4-20 WHIZLOCK NUT
5	109012	1/4 WING NUT
6	363222	PLASTIC TIE
7	423011	HOLDDOWN ANGLE - PAINTED
8	FOR REFERENCE ONLY	BATTERY 12V
9	423172	BATTERY HOLD DOWN ROD - PLATED
10	543267	HARNESS, WIRING
11	543309	CLIP, ROSEBUD LOOM 13MM
12	543329	ASM, BATTERY CABLE POSITIVE
13	543330	CABLE, BATTERY NEGATIVE
14	B6182-8	NUT, NYLOC M8
15	423158	TERMINAL INSULATOR CAP
16	343134	BATTERY BOOT
17	5208042	12V RELAY (USA)

## DECAL GROUP



543394



543405



543408



8324



543379



543391



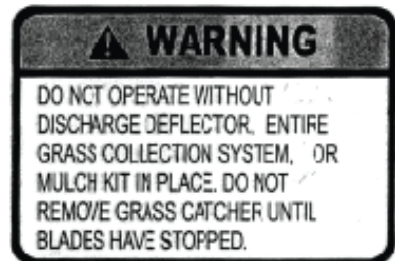
543433



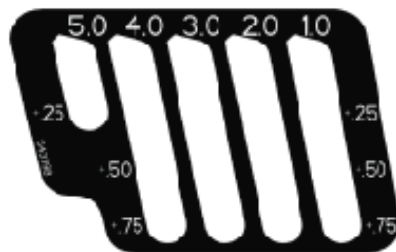
8303



543392



8307



543398



8008



543395



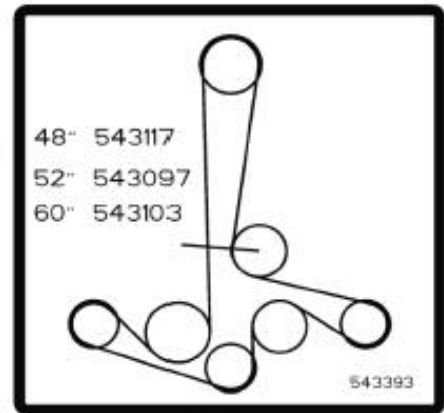
## DECAL GROUP



543397



543380



543393



363023



8327



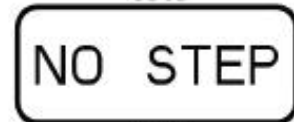
8326



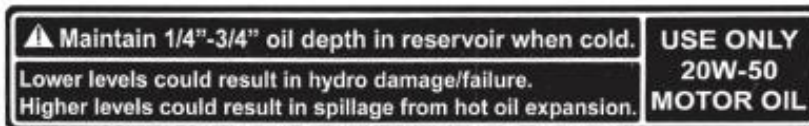
453389



453390



8304



543396



8318

# WORLDLAWN

543407



543404



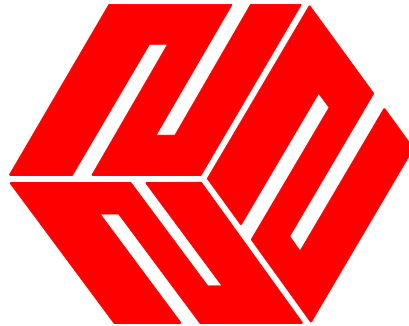
543401











WORLDLAWN<sup>®</sup>