

Parts Catalog



WORLDLAWN[®]

WYZ48/ 52/60

Zero Turn Mower



Worldlawn Power Equipment, Inc.

2415 Ashland Avenue, Beatrice, NE 68310

Toll Free Number: 1-800-267-4255

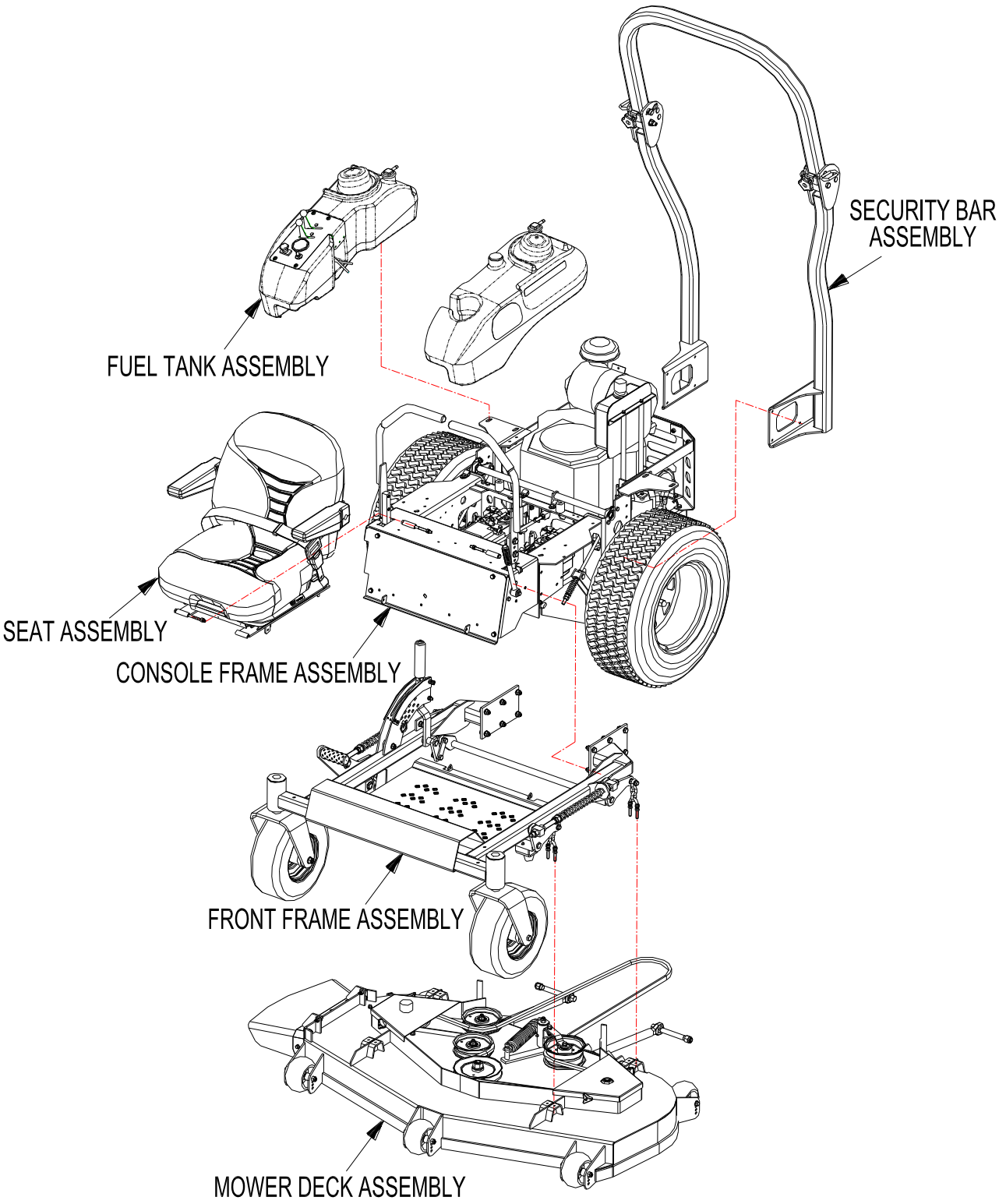
Content

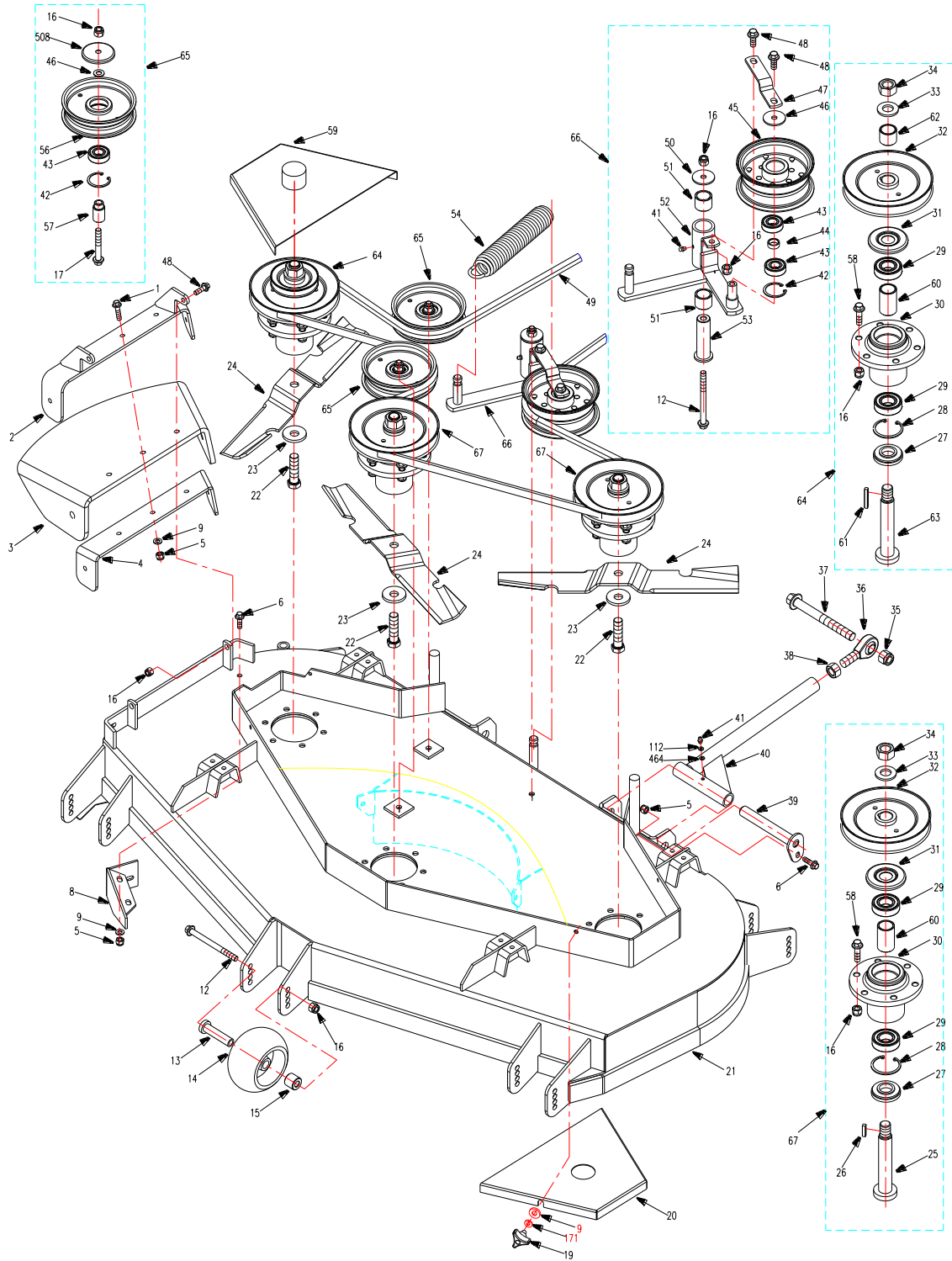
Mower Assembly.....	1
Mower Deck Assembly.....	2
Front Frame Assembly.....	4
Console Frame Assembly.....	6
Security Bar Assembly.....	8
Seat Assembly.....	9
Fuel Tank Assembly.....	10
Electric System	11
Drive Assembly.....	12
Brake System.....	14
Hydraulic System.....	16
Radiator.....	17
Driving System.....	18
Safety / Operation And Product Decals	20



WORLDLAWN®

Mower Assembly





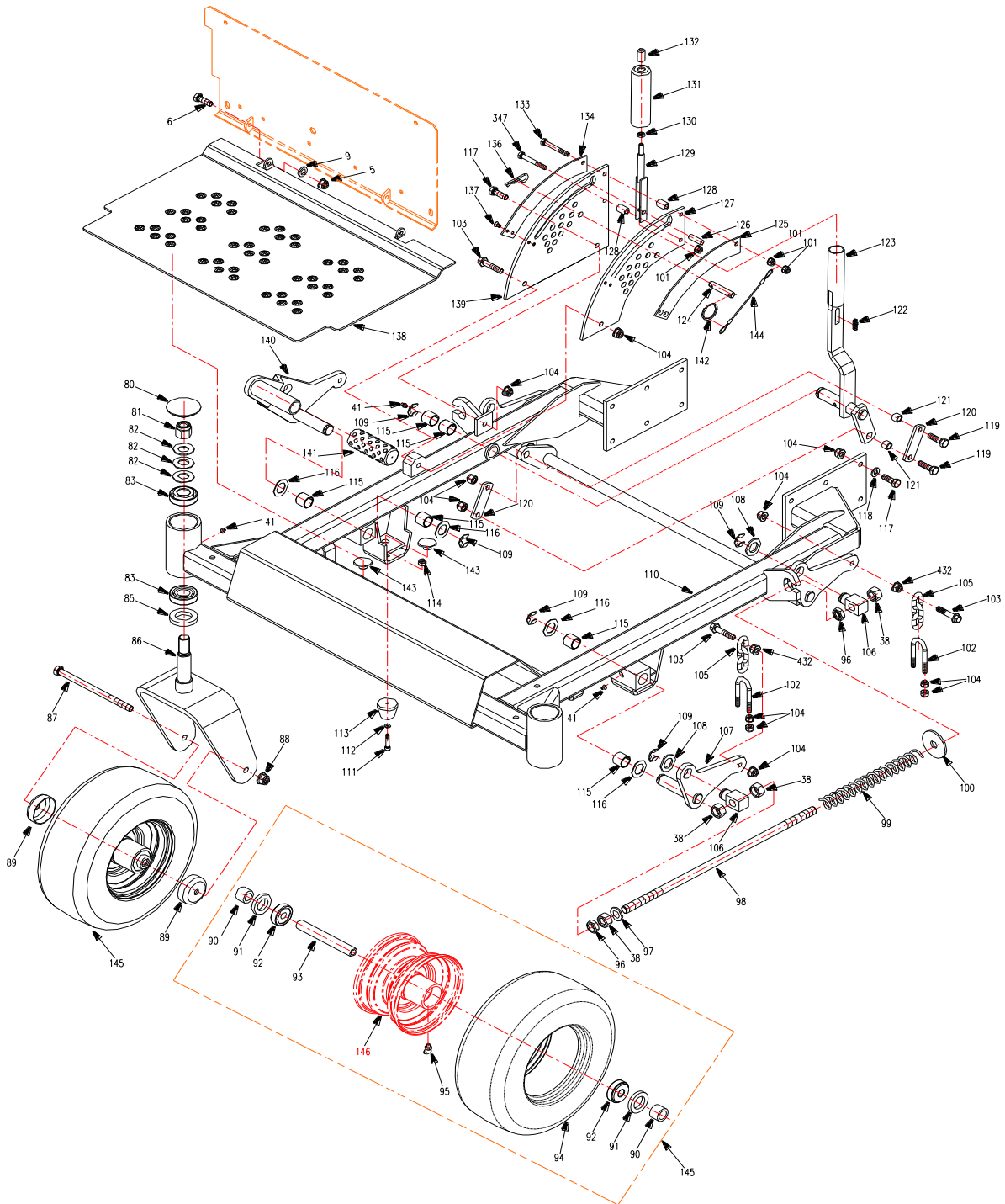
Mower Deck Assembly



REF.	PART NO.	DESCRIPTION	48	52	60
1	B5787-830	Hex Hd. Bolt M8×30		×	×
	B818-830	Phillips Hd Screw M8×30	×		
2	6001054	Outer Bracket, Discharge Chute		×	×
	4801040	Fixed Bracket	×		
3	6001053	Rubber Plate		×	×
	4801032	Discharge Chute	×		
4	6001052	Inner Bracket, Discharge Chute		×	×
	4801031	Bracket, Discharge Chute	×		
5	B6182-8	Locknut M8	×	×	×
6	B5787-825	Hex Hd Bolt M8×25	×	×	×
8	5201098	Grass Board		×	×
	4801200A	Grass Board	×		
9	B97.1-8	Washer M8	×	×	×
12	B5787-10120	Hex Hd Bolt M10×120	×	×	×
13	5201084	Scalp Roller Bushing	×	×	×
14	5201081	Anti Scalp Roller	×	×	×
15	3602014	Deck Wheel Spacer	×	×	×
16	B6182-10	Locknut M10	×	×	×
17	B5787-1070	Hex Hd Bolt M10×70	×	×	×
19	3302190	Knob	×	×	×
20	5201261	LH Belt Cover		×	
	6001002	LH Belt Cover			×
	4821100	Belt Cover	×		
21	5201240	Mower Deck		×	
	6001100	Mower Deck			×
	4821040	Mower Deck	×		
22	B5785-161560	Bolt M16×1.5×60	×	×	×
23	5201042	Disc Spring Washer M16	×	×	×
24	3602005U	Blade		×	
	6001004U	Blade			×
	4801401U	Blade	×		
25	5201051	Spindle Shaft	×	×	×
26	B1096-B625	Key B6×25	×	×	×
27	5201043	Lower Dust Guard	×	×	×
28	B893-52	Snap Ring M52	×	×	×
29	B276-6205RS	Bearing 6205-2RS	×	×	×
30	5201050	Spindle Housing	×	×	×
31	5201044	Top Dust Cover	×	×	×
32	5201045	Blade Pulley	×	×	
	6001070	Blade Pulley			×
33	5201048	Disc Spring Washer M20	×	×	×
34	B6171-20	Nut M20×1.5	×	×	×

REF.	PART NO.	DESCRIPTION	48	52	60
35	B6187-16	Nut M16	×	×	×
36	SABJK16C	Bearing SABJK16C	×	×	×
37	B5787-16150	Hex Hd BoltM16×150	×	×	×
38	B6170-16	Nut M16	×	×	×
39	5201055	Axle Pin Weldment	×	×	×
40	5201091	Support Pole	×	×	
	6001061	Support Pole			×
41	B1152-6	Grease Fitting M6	×	×	×
42	B893.1-40	Snap Ring M40	×	×	×
43	B276-6203RS	Bearing 6203-2RS	×	×	×
44	5201077	Bearing Spacer	×	×	×
45	5201064	Tension Pulley	×	×	×
46	5002164	Bearing Spacer 10x6	×	×	×
47	5201062	Tension Pulley Brace	×	×	×
48	B5787-1025	Hex Hd Bolt M10×25	×	×	×
49	5201008	Blade Drive Belt (Carlisle 9-0965)		×	
	6001001	Blade Drive Belt (Carlisle 9-0966)			×
	4821002	Blade Drive Belt	×		
50	5201067	Washer M10	×	×	×
51	B2685-253225	Bearing 25E8×32×25	×	×	×
52	5201068	Belt Tension Arm Weldment	×	×	×
53	5201066	Pivot Tensioner Mount	×	×	×
54	5201002	Deck Belt Tension Spring	×	×	×
508	5201291	Bearing Cover	×	×	×
56	5201012	Stationary Idler	×	×	×
57	5201011	Idler Spacer Bushing	×	×	×
58	B5787-1035	Hex Hd Bolt M10×35	×	×	×
59	5201104	RH Belt Cover		×	
	6001007	RH Belt Cover			×
	4821100	Belt Cover	×		
60	5201049	Spindle Bearing Spacer	×	×	×
61	B1096-B656	Key B6×56	×	×	×
62	5201079	Spindle Bearing Spacer	×	×	×
63	5210005	Spindle Shaft	×	×	×
64	5201060	Spindle Assembly	×	×	
	6001046	Spindle Assembly			×
65	5201010	Tension Pulley Assembly	×	×	×
66	5201290	Drive Belt Tension Pulley Assembly	×	×	×
67	5201040	Spindle Assembly	×	×	
	6001040	Spindle Assembly			×
112	B97.1-6	Flat Washer M6	×	×	×
171	B93-8	Washer 8	×	×	×
464	B861.1-6	Washer M6	×	×	×

Front Frame Assembly





WORLDLAWN®

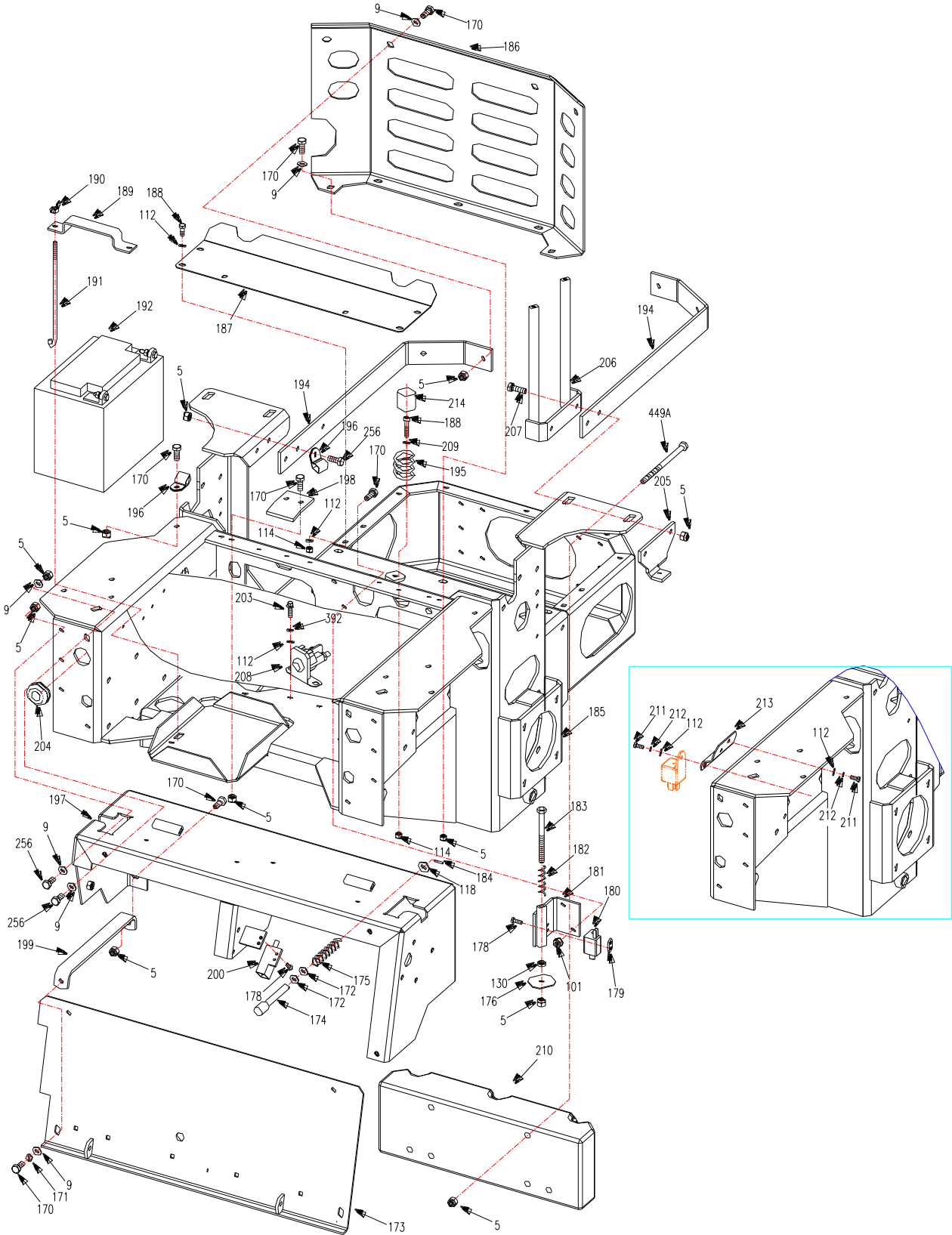
Front Frame Assembly

REF.	PART NO.	DESCRIPTION	48	52	60
6	B5787-825	Hex Hd Bolt M8×25	×	×	×
5	B6182-8	Locknut M8	×	×	×
9	B97.1-8	Washer M8	×	×	×
38	B6170-16	Nut M16	×	×	×
41	B1152-6	Grease Fitting M6	×	×	×
80	5202009	Dust Cap	×	×	×
81	B6182-20	Nut M20	×	×	×
82	B1972-A40	Spring Washer A40	×	×	×
83	B297-30205	Bearing 30205	×	×	×
84	B5783-612	Bolt M6×12	×	×	×
85	B13871-B32528	Seal (F) B32×52×8	×	×	×
86	5202150	Caster Wheel Yoke	×	×	×
87	5202029	Bolt	×	×	×
88	B6187-12	Nut M12	×	×	×
89	5202026	Cap	×	×	×
90	5202035	Bushing	×	×	×
91	5202036	Seal	×	×	×
92	5202037	Tapered Roller Bearing	×	×	×
93	5202038	Caster Wheel Bushing	×	×	×
94	5202039	Tire	×	×	×
95	B1153-845	45°Grease Fitting M8	×	×	×
96	B6172-16	Nut M16	×	×	×
97	B97.1-16	Washer M16	×	×	×
98	5202003	Adjusting Screw	×	×	×
99	5202007	Adjusting Screw Spring	×	×	×
100	5202008	Washer	×	×	×
101	B6187-8	Locknut M8	×	×	×
102	5202053	U Bolt	×	×	×
103	B5783-1045	Bolt M10×45	×	×	×
104	B6187-10	Locknut M10	×	×	×
105	5202051	Chain	×	×	×
106	5202002	Connection Shaft	×	×	×
107	5202180	Shift Arm, LH	×	×	×
108	5202011	Washer	×	×	×
109	B896-15	Snap Ring M15	×	×	×
110	5202100	Front Frame Weldment	×	×	×

REF.	PART NO.	DESCRIPTION	48	52	60
111	B70-630	Screw M6×30	×	×	×
112	B97.1-6	Washer M6	×	×	×
113	5201003	Bumper Block	×	×	×
114	B6182-6	Locknut M6	×	×	×
115	B12613-252220	Bushing 25×22×20	×	×	×
116	5202020	Washer	×	×	×
117	B5783-1030	Bolt M10×30	×	×	×
118	B97.1-10	Flat Washer M10	×	×	×
119	B5783-1035	Bolt M10×35	×	×	×
120	5202021	Linking Plate	×	×	×
121	5202014	Bushing	×	×	×
122	5202034	Compression Spring	×	×	×
123	5202200	Handle	×	×	×
124	5202013	Clevis Pin	×	×	×
125	5202010	Shield Plate, Inner	×	×	×
126	5202030	Roller	×	×	×
127	5202006	Height Adjustment Plate Inside	×	×	×
128	5202022	Bushing	×	×	×
129	5202040	Connection Rod	×	×	×
130	B6172-8	Nut M8	×	×	×
131	5202032	Handle Grip	×	×	×
132	5202033	Push Button	×	×	×
133	B5782-860	Bolt M8×60	×	×	×
134	5202017	Shield Plate, Outer	×	×	×
136	5202012	Hair Pin	×	×	×
137	B820-610	Screw M6×10	×	×	×
138	5202019	Foot Plate	×	×	×
139	5202031	Height Adjustment Plate Outside	×	×	×
140	5202160	Pedal Weldment	×	×	×
141	5202164	Pedal Grip	×	×	×
142	5202004	Ring	×	×	×
143	5203907	Cushion	×	×	×
144	5202005	Lanyard	×	×	×
145	5202001	Caster Wheel Assembly	×	×	×
146	5202039A	Wheel Rim	×	×	×
347	B5782-845	Bolt M8×45	×	×	×
432	B6177-10	Nut M10	×	×	×



Console Frame Assembly



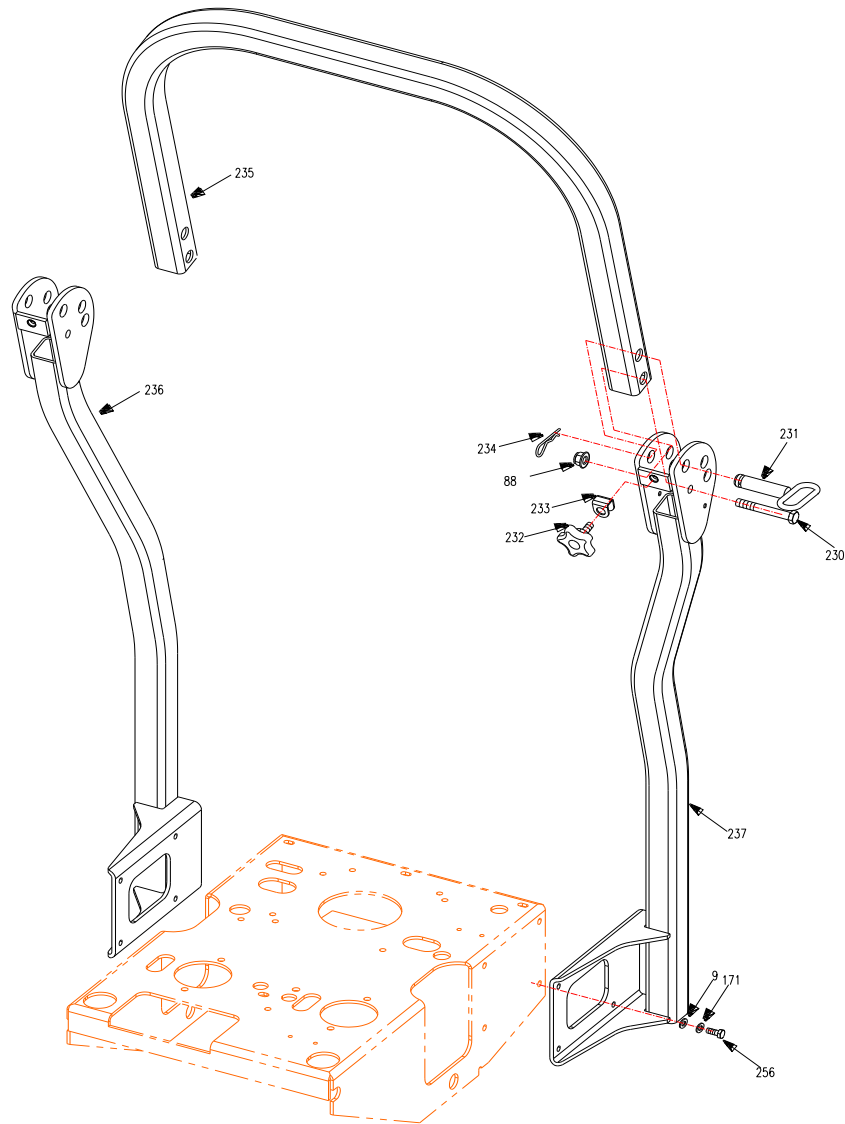
Console Frame Assembly



REF.	PART NO.	DESCRIPTION	48	52	60	REF.	PART NO.	DESCRIPTION	48	52	60
5	B6182-8	Locknut M8	×	×	×	190	B62-6	Wing Nut M6	×	×	×
9	B97.1-8	Flat Washer M8	×	×	×	191	5208203	Battery Clamp Bolt	×	×	×
101	B6187-8	Nut M8	×	×	×	192	5208002	Battery 12V	×	×	×
112	B97.1-6	Flat Washer M6	×	×	×	194	5203910	Engine Guard Bracket	×	×	×
114	B6182-6	Locknut M6	×	×	×		5203172	Engine Guard Bracket (☆□)	×	×	×
118	B97.1-10	Flat Washer M10	×	×	×	195	5203044	Spring	×	×	×
130	B6172-8	Nut M8	×	×	×	196	3601020	Clamp	×	×	×
170	B5783-820	Bolt M8×20	×	×	×	197	5203100	Drive Assembly Mount	×	×	×
171	B93-8	Split Lock Washer M8	×	×	×	198	5203904	Lock Catch	×	×	×
172	5206112	Snap Ring	×	×	×	199	5203500	Attachment Bracket	×	×	×
173	5203906	Foot Plate Panel	×	×	×	200	5208015	Brake Switch	×	×	×
174	5203032	Return Pin	×	×	×	203	B5787-620	Hex Hd Bolt M6×20	×	×	×
175	5203031	Return Spring	×	×	×	204	4LZ2.16.4-04	Plastic Bushing	×	×	×
176	5208101	Compression Washer	×	×	×	205	5207018	Support Plate	×	×	×
178	B823-516	Screw M5×16	×	×	×	206	5207030	Fuel Tank Bracket	×	×	×
179	5208103	Nut Plate	×	×	×	207	B5783-830	Bolt M8×30	×	×	×
180	5208012	Pressure Switch	×	×	×	208	5208043	Start-up Relay	×	×	×
181	5208102	Pressure Switch Bracket	×	×	×			(Kawasaki 21-25HP)			
182	5208104	Return Spring	×	×	×	256	B5783-825	Bolt M8×25	×	×	×
183	B5782-8140	Bolt M8×140	×	×	×	209	B96-6	Washer M6	×	×	×
184	B879-316	Pin 3×16	×	×	×	210	6000011	Cover Channel			×
185	5203001	Console Frame Weldment		×	×	211	B818-512	Bolt M5×12	×	×	×
	5203151	Console Frame Weldment (☆□)		×	×	212	B93-5	Washer M5	×	×	×
	4823001	Console Frame Weldment	×			213	5203035	Mounting Plate	×	×	×
186	5203911	Rear Engine Guard	×	×	×	392	B93-6	Washer M6	×	×	×
187	5203913	Heat Isolation Plate	×	×	×	449A	B5782-8100	Bolt M8×100			×
188	B5783-620	Bolt M6×20	×	×	×	214	5203045	Spring Cover	×	×	×
189	5208202	Battery Strap	×	×	×						

Note: △ Equipped with Kawasaki 25HP
 ☆ Equipped with Kawasaki 27HP
 □ Equipped with Kawasaki 22, 24HP

Security Bar Assembly

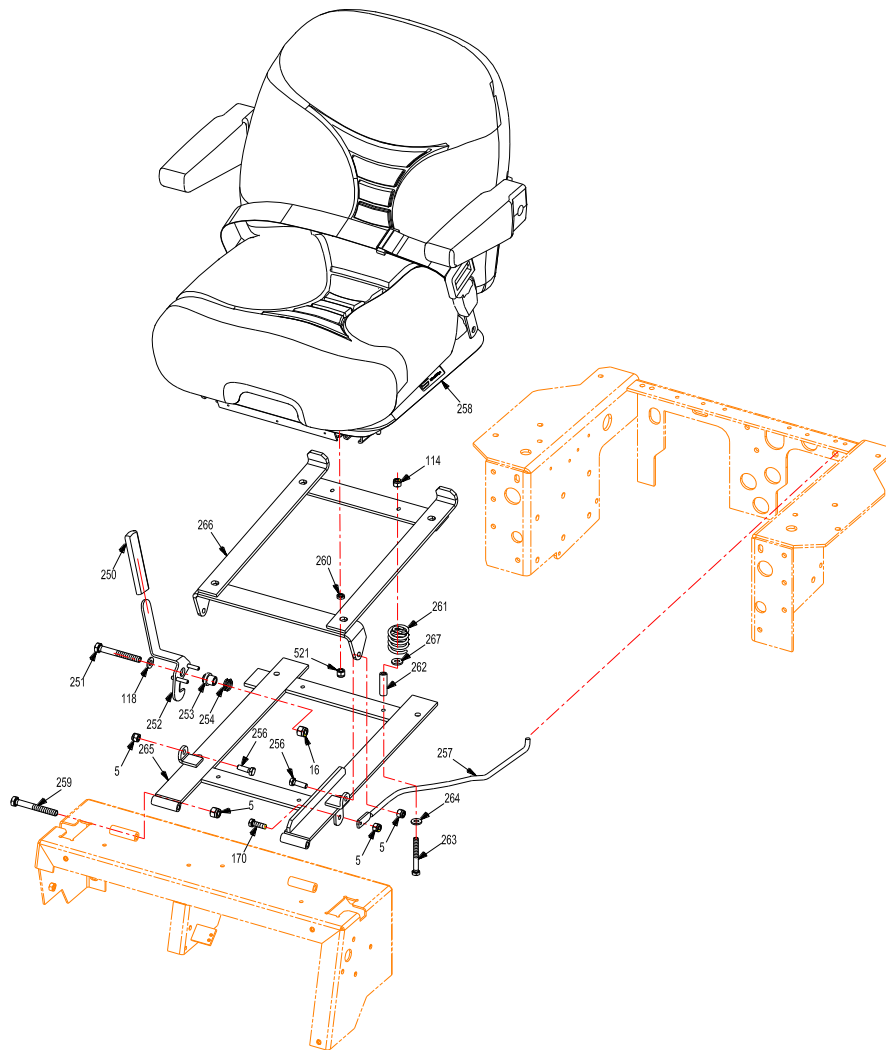


REF.	PART NO.	DESCRIPTION	48	52	60
9	B97.1-8	Flat Washer M8	×	×	×
88	B6187-12	Nut M12	×	×	×
171	B93-8	Split Lock Washer M8	×	×	×
230	B5782-1285	Bolt M12×85	×	×	×
231	5203240	Pin	×	×	×
232	5203204	Star Grip Knob	×	×	×
233	5203201	Vertical Position Clip	×	×	×

REF.	PART NO.	DESCRIPTION	48	52	60
234	5203203	Hair Pin Cotter Pin	×	×	×
235	5203230	Security Bar Upper Frame	×	×	×
236	5203220	Security Bar RH Frame	×	×	×
	5203170	Security Bar RH Frame (Kaw FX27)	×	×	×
237	5203210	Security Bar LH Frame	×	×	×
	5203160	Security Bar LH Frame (Kaw FX27)	×	×	×
256	B5783-825	Bolt M8×25	×	×	×

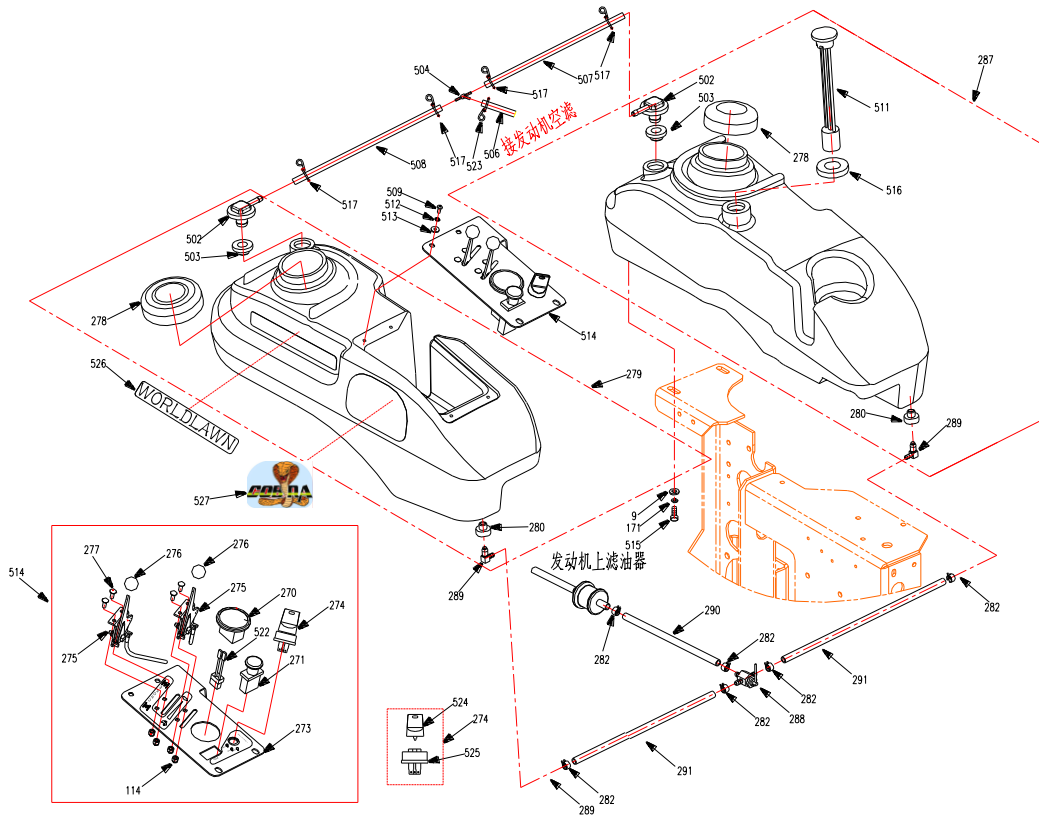


Seat Assembly



REF	PART NO.	DESCRIPTION	48	52	60
5	B6182-8	Locknut M8	×	×	×
16	B6182-10	Locknut M10	×	×	×
521	5203604	Nut 5/16-18UNC	×	×	×
114	B6182-6	Locknut M6	×	×	×
118	B97.1-10	Flat Washer M10	×	×	×
170	B5783-820	Bolt M8×20	×	×	×
250	3306002	Handle Grip	×	×	×
251	B5782-1080	Bolt M10×80	×	×	×
252	5203380	Adjusting Lever	×	×	×
253	5203336	Bushing	×	×	×
254	5203332	Torsion Spring	×	×	×
256	B5783-825	Bolt M8×25	×	×	×

REF	PART NO.	DESCRIPTION	48	52	60
257	5203392	Seat Tilt Hook Rod	×	×	×
258	5203398	Seat Assembly	×	×	×
259	B5782-8120	Bolt M8×120	×	×	×
260	B6170-8	Locknut M8	×	×	×
261	5203602	Spring	×	×	×
262	5203601	Bushing	×	×	×
263	B5782-670	Bolt M6×70	×	×	×
264	2802183	Washer	×	×	×
265	5203610	Lower Seat Bracket Weldment	×	×	×
266	5203630	Upper Seat Bracket Weldment	×	×	×
267	B2587-6	Washer M6	×	×	×



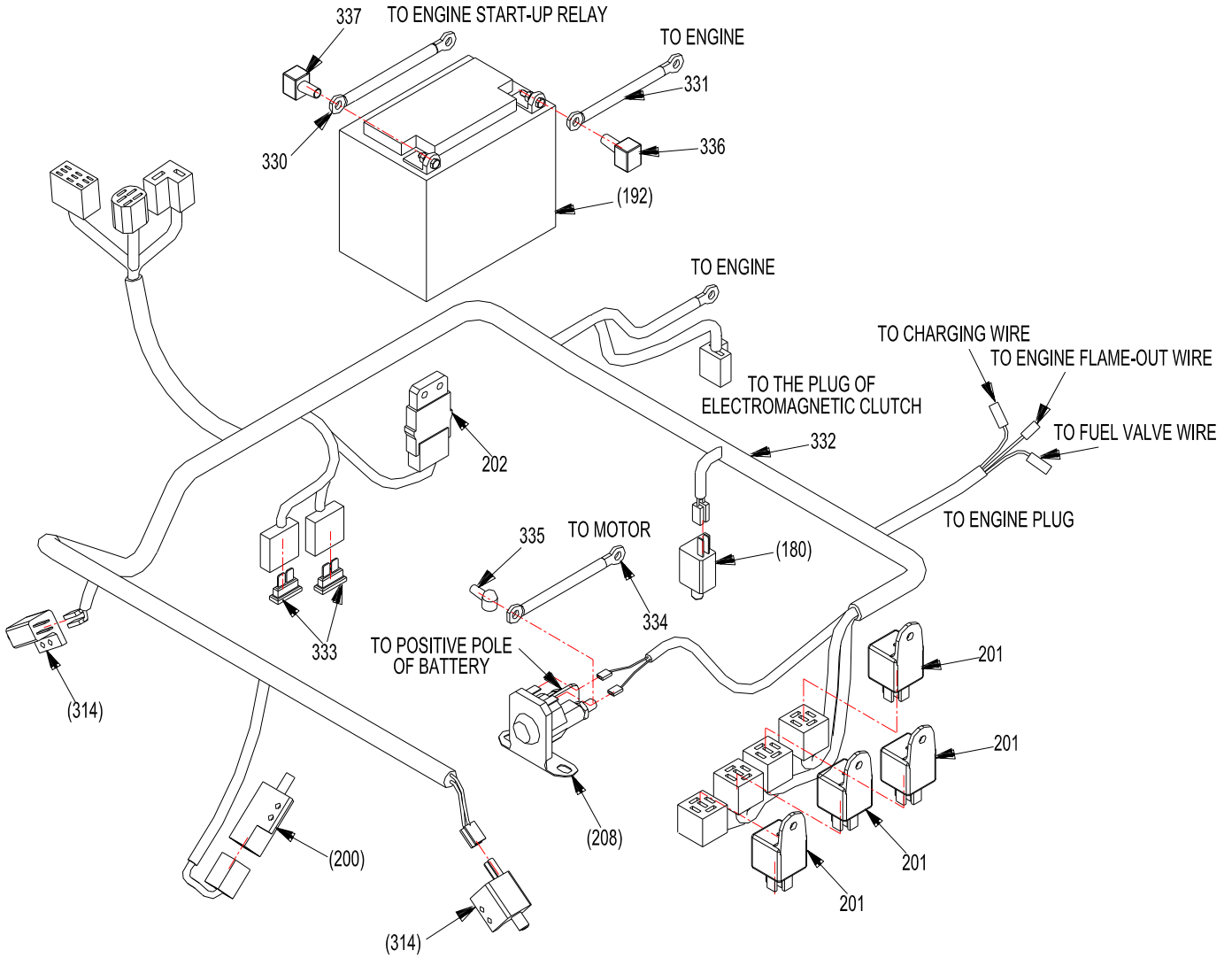
REF.	PART NO.	DESCRIPTION	48	52	60
9	B97.1-8	Flat Washer M8	×	×	×
114	B6182-6	Locknut M6	×	×	×
171	B93-8	Washer M8	×	×	×
270	5204038	Hour Meter	×	×	×
271	5208022	Blade Control Switch	×	×	×
273	5204036	Switch Panel	×	×	×
274	5208070	Ignition Switch	×	×	×
275	2806005	Throttle Control Assembly	×	×	×
276	3306030	Knob	×	×	×
277	B801-616	Bolt M6×16	×	×	×
278	363413	Fuel Tank Cap	×	×	×
279	542091	Right Fuel Tank Assembly	×	×	×
280	533125	washer	×	×	×
282	B8870-16	Hose Clamp 10-16	×	×	×
287	542092	Left Fuel Tank Assembly	×	×	×
288	5204015A	Three Way Valve	×	×	×
289	583183	Right-angle Connector	×	×	×
290	5204017E	Fuel Line	×	×	×

REF.	PART NO.	DESCRIPTION	48	52	60
291	5204018E	Fuel Line	×	×	×
502	593370	Vent Valve	×	×	×
503	363412	Vent Grommet	×	×	×
504	5204033	Adaptor "T"	×	×	×
506	5204023	Vent Line	×	×	×
507	5204034	Vent Line	×	×	×
508	5204032	Vent Line	×	×	×
509	5204045	Screw 10-32UNF×1/2	×	×	×
511	5204046	Fuel Gauge	×	×	×
512	B861.1-5	Internal Tooth Lock Washer	×	×	×
513	5204044	Washer	×	×	×
514	5204043	Switch Panel Assembly	×	×	×
515	4802012	Bolt 5/16-UNC×3/4	×	×	×
516	5204047	Fuel Gauge Grommet	×	×	×
517	12105-1P68FS-0000	Fuel Line Clamp	×	×	×
522	5204039	Hour Meter Wiring Adaptor	×	×	×
523	3307041	Fuel Line Clamp	×	×	×
524	5208072	Key switch	×	×	×
525	5208071	lock	×	×	×
526	543370	Worldlawn logo	×	×	×
527	543369	Viper logo	×	×	×



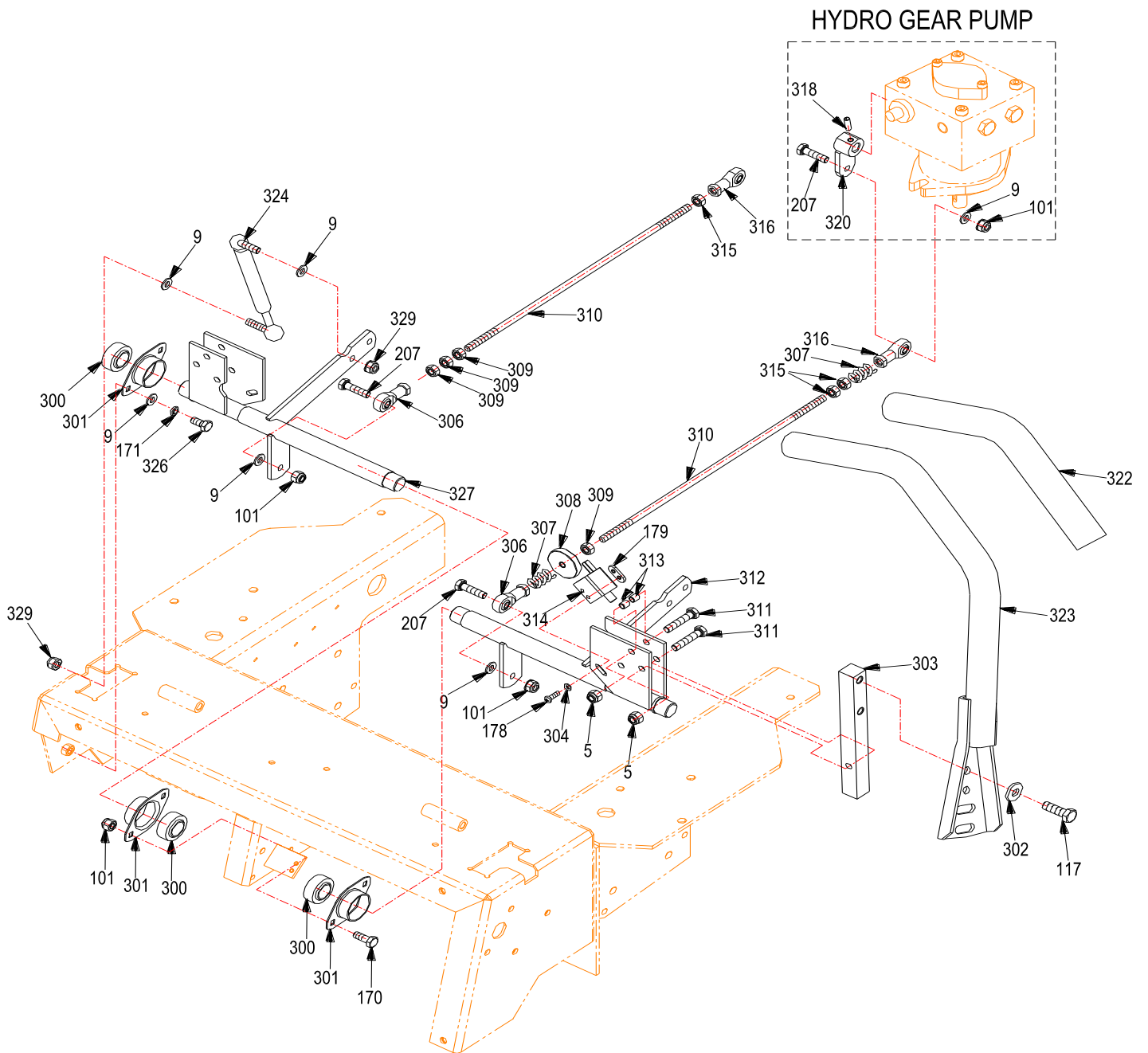
WORLDLAWN®

Electrical System



REF.	PART NO.	DESCRIPTION	48	52	60
180	5208012	Pressure Switch	×	×	×
192	5208002	12V Battery	×	×	×
200	5208015	Parking Brake Switch	×	×	×
201	5208042	12V Relay	×	×	×
202	5208044	Delay Switch	×	×	×
208	5208043	Start-up relay (Kawa FH21-25)	×	×	×
314	2808005	Blade Switch	×	×	×
330	5208017	Positive Pole (+)	×	×	×

REF.	PART NO.	DESCRIPTION	48	52	60
331	5208013	Negative Pole (-)	×	×	×
332	5208041	Wiring Harness (Kawa FH21-25)	×	×	×
	5208051	Wiring Harness (Kawa FX22/24/27)	×	×	×
333	5208007	Fuse (20A)	×	×	×
334	5208019	Power wire (Kawa FH21-25)	×	×	×
335	2808107	Relay Cable Cover	×	×	×
336	3312031	Cover (negative)	×	×	×
337	3312032	Cover (positive)	×	×	×



Drive Assembly

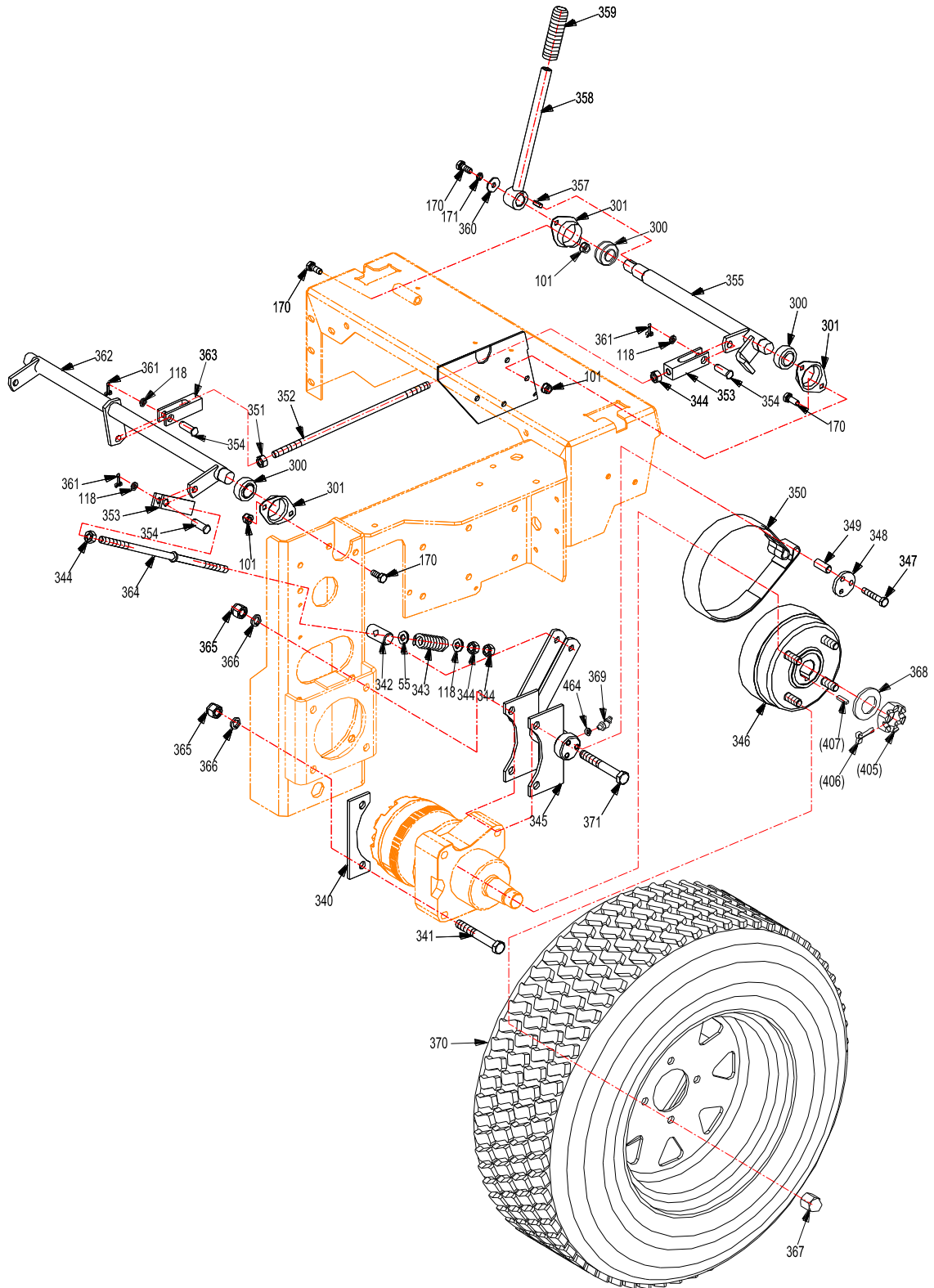


REF.	PART NO.	DESCRIPTION	48	52	60	REF.	PART NO.	DESCRIPTION	48	52	60
5	B6182-8	Locknut M8	×	×	×	309	B6171-8	Nut M8	×	×	×
9	B97.1-8	Flat Washer M8	×	×	×	310	5205010	Connecting Rod	×	×	×
101	B6187-8	Nut M8	×	×	×	311	B5782-840	Bolt M8×40	×	×	×
117	B5783-1030	Bolt M10×30	×	×	×	312	5205050	Control Arm Weldment –LH	×	×	×
170	B5783-820	Bolt M8×20	×	×	×	313	5205019	Bushing	×	×	×
171	B93-8	Washer M8	×	×	×	314	2808005	Blade Switch	×	×	×
178	B823-516	Screw M5×16	×	×	×	315	B6171-8L	Nut M8×1,Levo	×	×	×
179	5208103	Nut Plate	×	×	×	316	5205017	Bearing SILBJK8S-LH	×	×	×
207	B5783-830	Bolt M8×30	×	×	×	318	B879-525	Pin 5×25	×	×	×
300	B9163-20	Bearing GE20ET	×	×	×	320	5205011	Connecting Arm	×	×	×
301	5205002	Bearing Housing	×	×	×	322	5205018	Handle Grip	×	×	×
302	5201061	Washer	×	×	×	323	5205110	Control Lever	×	×	×
303	5205009	Handle Mount Bar	×	×	×	324	5205020	Damper (AVM)	×	×	×
304	B97.1-5	Flat Washer M5		×	×	326	B5783-816	Bolt M8×16	×	×	×
306	5205016	Bearing SIBJK8S	×	×	×	327	5205030	Control Arm Weldment-RH	×	×	×
307	5205003	Small Spring	×	×	×	329	3300119	Nut 5/16-18 NC	×	×	×
308	5205015	Spacer	×	×	×	260	B6170-8	Nut M8	×	×	×



WORLDLAWN®

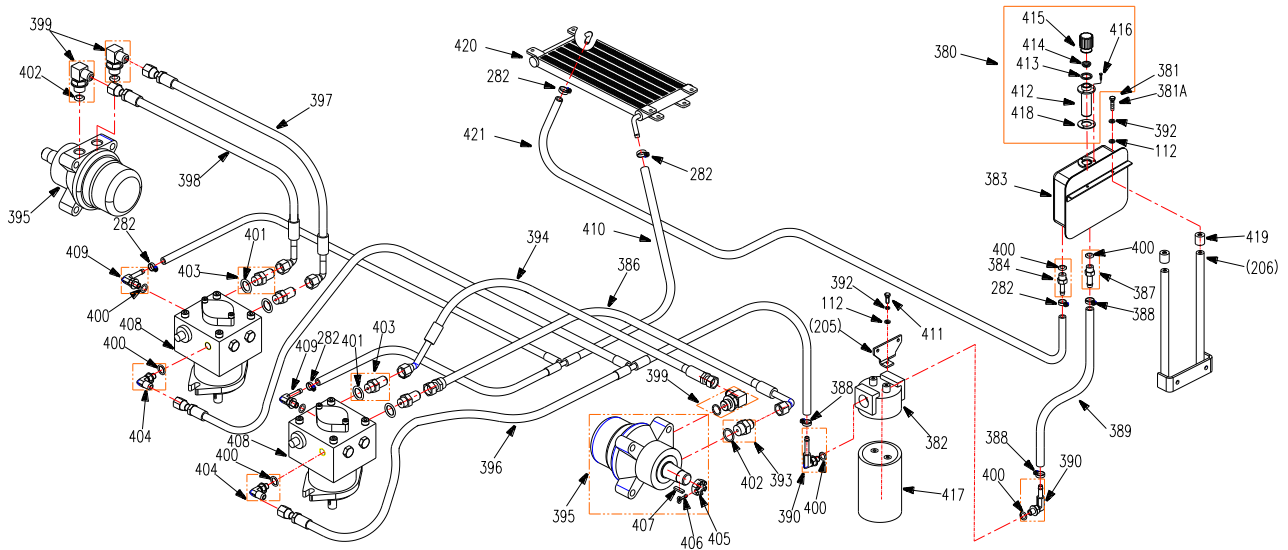
Brake System



Brake System

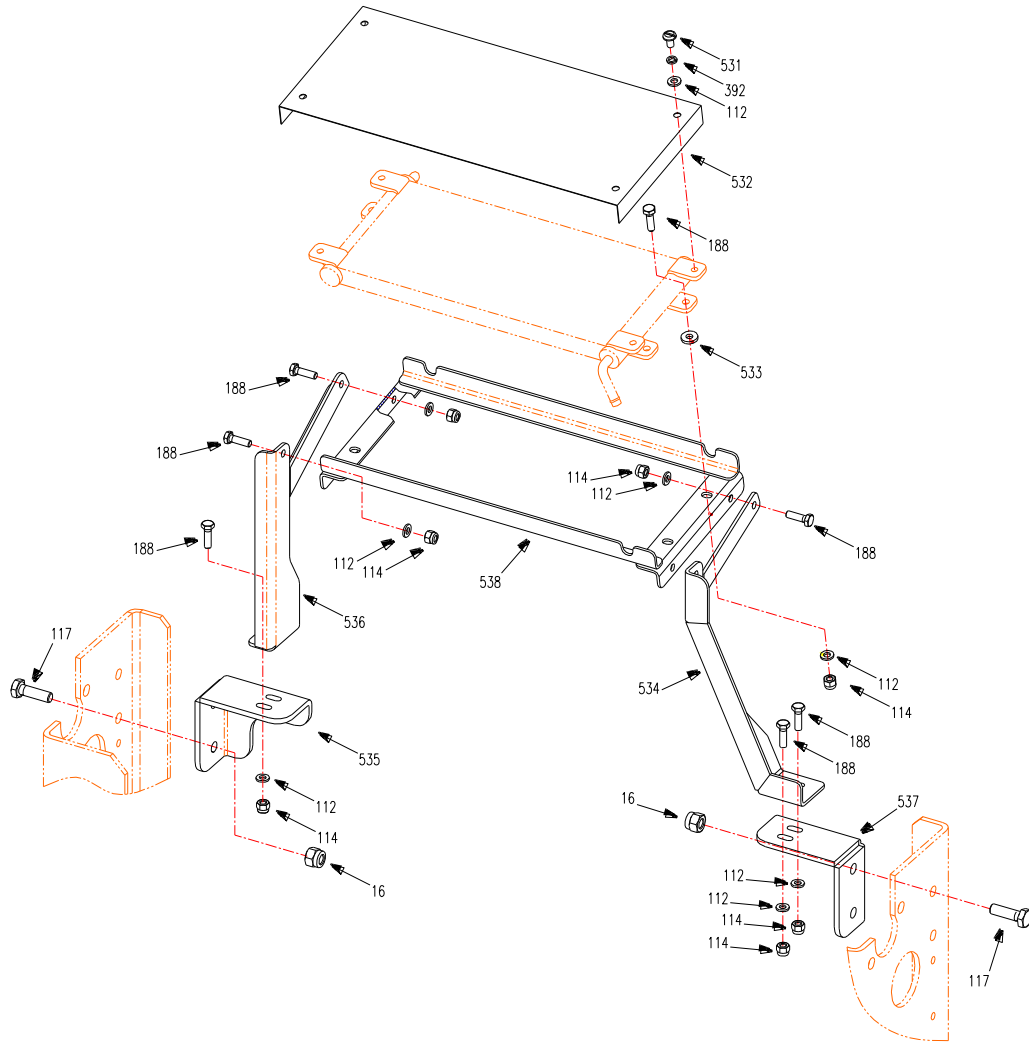


REF.	PART NO.	DESCRIPTION	48	52	60	REF.	PART NO.	DESCRIPTION	48	52	60
55	3302058	Washer M10	×	×	×	355	5206050	Brake Control Rod Weldment	×	×	×
101	B6187-8	Nut M8	×	×	×	357	B1096-618	Square Key 6×18	×	×	×
118	B97.1-10	Flat Washer M10	×	×	×	358	5206001	Brake Lever	×	×	×
170	B5783-820	Hex Hd Bolt M8×20	×	×	×	359	5206012	Brake Lever Grip	×	×	×
171	B93-8	Split Lock Washer M8	×	×	×	360	B96-8	Washer M8	×	×	×
300	B9163-20	Bearing GE20ET	×	×	×	361	B91-3218	Cotter Pin 3.2×18	×	×	×
301	5205002	Bearing Housing	×	×	×	362	5206120	Connection Rod Weldment	×	×	×
340	5206010	Wheel Motor Shim	×	×	×	363	5206009	Connecting yoke	×	×	×
341	B5782-1270	Bolt M12×70	×	×	×	364	5206110	Connecting Screw	×	×	×
342	5206006	Rod Connector	×	×	×	365	B6182-12	Locknut M12	×	×	×
343	5206005	Spring	×	×	×	366	B7244-12	Washer M12	×	×	×
344	B6171-10	Nut M10×1	×	×	×	367	5200002	Nut	×	×	×
345	5206140	Brake Arm	×	×	×	368	5206011	Washer	×	×	×
346	5206090	Brake drum	×	×	×	369	B1153-645	45 °Grease Fitting M6	×	×	×
347	B5782-845	Hex Hd Bolt M8×45	×	×	×	370	5200001	Tire and Wheel Assembly	×	×	×
348	5206008	Brake Strap Connector	×	×	×		5200011	Tire 23×10.5	×	×	×
349	5206007	Bushing	×	×	×		5200012	Wheel Hub 8×8	×	×	×
350	5206100	Brake Strap	×	×	×	371	B5782-1280	Bolt M12×80	×	×	×
351	B6171-10L	Bolt M10×1	×	×	×	405	5207051	castle nut	×	×	×
352	5206004	Haul Rod	×	×	×	406	B91-445	Cotter Pin 4×45	×	×	×
353	5206003	Connecting Yoke	×	×	×	407	5207052	Key	×	×	×
354	B882-1030	Clevis Pin B10×30	×	×	×	464	B861.1-6	Washer M6	×	×	×

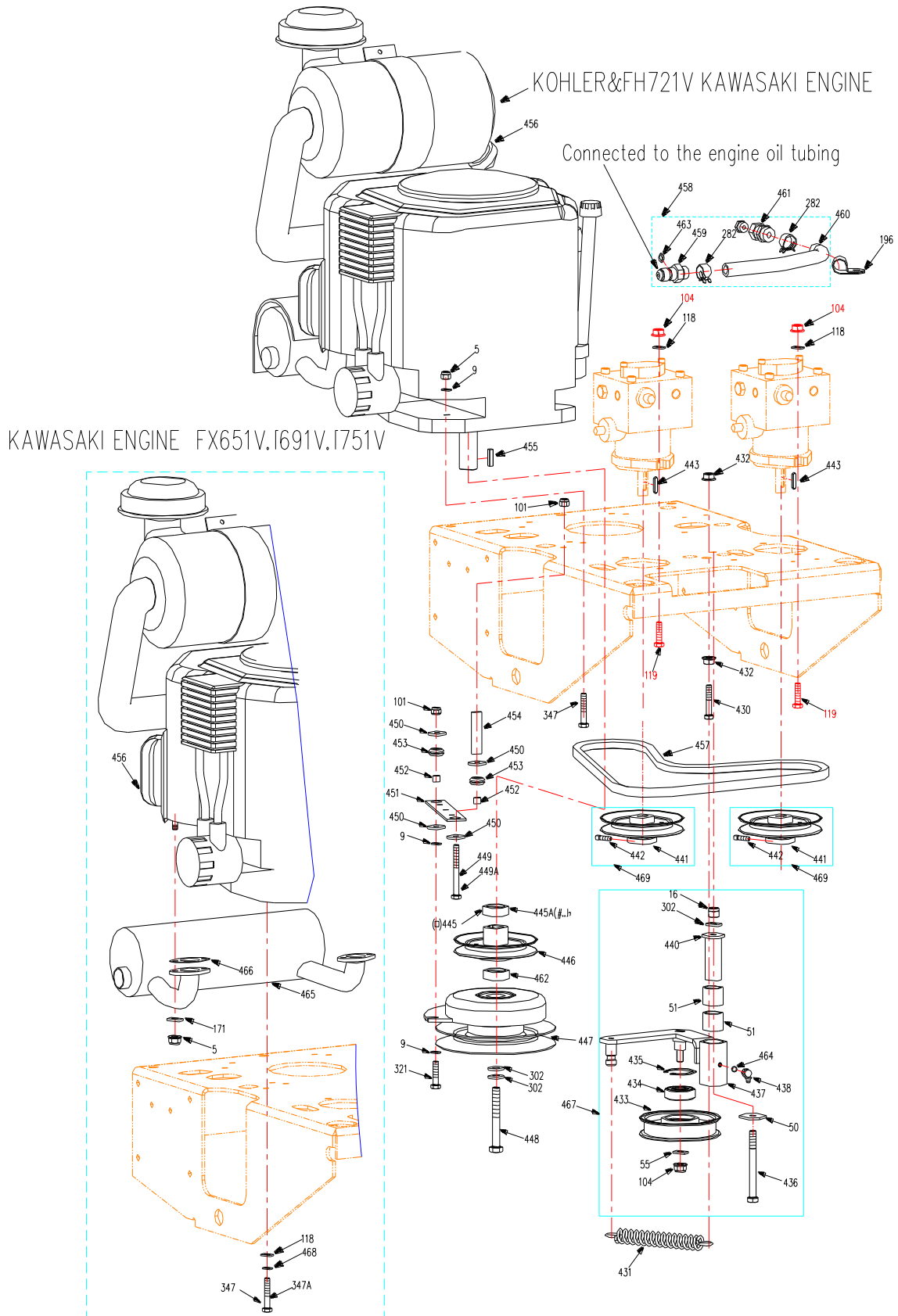


REF.	PART NO.	DESCRIPTION	48	52	60	REF.	PART NO.	DESCRIPTION	48	52	60
112	B97.1-6	Flat Washer M6	×	×	×	399	5207012	Wheel Motor 90 °Connector, RH	×	×	×
205	5207018	Filter Support Plate	×	×	×	400	SAE 3-906	O-Ring	×	×	×
206	5207030	Hydraulic Oil Tank Bracket Weldment	×	×	×	401	SAE 3-908	O-Ring	×	×	×
282	B8870-16	Clamp 10-16	×	×	×	402	SAE 3-910	O-Ring	×	×	×
380	QUQ1	Hydraulic Air Filter Assembly	×	×	×	403	5207007	Straight Adaptor, Pump	×	×	×
381	B5783-625	Bolt M6×25(Kawasaki FX 27HP)	×	×	×	404	5207006	90 °Adaptor, Pump Feed	×	×	×
381A	B5783-645	Bolt M6×45(Kawa FH 21-25HP)	×	×	×	405	5207051	Bolt	×	×	×
382	5207108	Hydraulic Filter (Hydro gear)	×	×	×	406	B91-445	Cotter Pin 4×45	×	×	×
383	5207091	Hydraulic Oil Tank	×	×	×	407	5207052	Key	×	×	×
384	5207045	Hydraulic Valve-inlet	×	×	×	408	5207060	Hydraulic Pump	×	×	×
386	5207010	Oil hose, left Pump to left Motor	×	×	×	409	5207008	90 °Adaptor, Pump Return	×	×	×
387	5207046	Oil Tank Valve-output	×	×	×	410	5207005	Oil Return Hose	×	×	×
388	B8870-19	Clamp 13~19	×	×	×	411	B5783-616	Hex Hd Bolt M6×16	×	×	×
389	5207002	Hydraulic Oil Output Hose	×	×	×	412	5207104	Filter	×	×	×
390	5207102	Adjustable Filter	×	×	×	413	5207105	Spacer	×	×	×
392	B93-6	Split Lock Washer M6	×	×	×	414	5207099	Spacer	×	×	×
393	5207014	Left Motor Connector	×	×	×	415	5207106	Filter Cap	×	×	×
394	5207013	Oil hose, left Pump To left Motor	×	×	×	416	B5783-416	Bolt M4×16	×	×	×
395	5207050	Wheel Motor (Hydro-Gear)	×	×	×	417	5207107	Filter Element (Hydro gear)	×	×	×
	5207053	Wheel Motor (Parker)	×	×	×	418	5207103	Washer	×	×	×
396	5207001	Hose	×	×	×	419	3302010	Bushing (Kawasaki FH 21-25HP)	×	×	×
397	5207011	Rear Oil Hose, Right Pump To Right Motor	×	×	×	420	5207304	Radiator	×	×	×
398	5207009	Front Oil Hose, Right Pump To Right Motor	×	×	×	421	5207021	Oil Hose, Radiator to Hydraulic Oil Tank	×	×	×

Radiator



REF.	PART NO.	DESC IPTION	48	52	60
16	B6182-10	Locknut M10	×	×	×
112	B97.1-6	Flat Washer M6	×	×	×
114	B6182-6	Locknut M6	×	×	×
117	B5783-1030	Hex Hd Bolt M10×30	×	×	×
188	B5783-620	Hex Hd Bolt M6×20	×	×	×
531	B818-610	Screw M6×10	×	×	×
532	5207301	Cover	×	×	×
533	5207305	Washer	×	×	×
534	5207320	Bracket-LH Weldment	×	×	×
535	5207303	Bracket-RH	×	×	×
536	5207310	Bracket-RH Weldment	×	×	×
537	5207302	Bracket-LH	×	×	×
538	5207330	Bottom Cover Weldment	×	×	×
392	B93-6	Split Lock Washer M6	×	×	×





WORLDLAWN®

Driving System

REF.	PART NO.	DESCRIPTION	48	52	60
5	B6182-8	Locknut M8	×	×	×
9	B97.1-8	Flat Washer M8	×	×	×
16	B6182-10	Locknut M10	×	×	×
50	5201067	Spacer	×	×	×
51	B2685-253225	Bearing 25E8×32×25	×	×	×
55	3302058	Washer M10	×	×	×
101	B6187-8	Nut M8	×	×	×
104	B6187-10	Locknut M10	×	×	×
118	B97.1-10	Flat Washer M10 (☆□)	×	×	×
119	B5783-1035	Bolt M10×35	×	×	×
171	B93-8	Split Lock Washer M8	×	×	×
196	3601020	Clamp	×	×	×
282	B8870-16	Hose Clamp 10-16	×	×	×
388	B8870-19	Hose Clamp 13-19	×	×	×
302	5201061	Washer	×	×	×
321	B5783-835	Hex Hd Bolt M8×35	×	×	×
347	B5782-845	Bolt M8×45 (△#)	×	×	×
347A	5203435	Bolt 3/8-16UNC×1-1/2(☆□)		×	×
430	B5782-1045	Bolt M10×45	×	×	×
431	5207015	Pump Tension Pulley Spring	×	×	×
432	B6177-10	Nut M10	×	×	×
433	3302056	Blade Tension Pulley Weldment	×	×	×
434	B276-6303RS	Bearing 6303-2RS	×	×	×
435	B893.2-47	Snap Ring M47	×	×	×
436	B5782-10100	Bolt M10×100	×	×	×
437	5207082	Shift Arm Weldment	×	×	×
438	B1153-690	90 °Grease Fitting M6	×	×	×
440	5207081	Bushing	×	×	×
441	5207070	Pump Drive Belt Pulley Weldment	×	×	×
442	B84-620	Screw M6×20	×	×	×
443	B1096-525	Key 5×25	×	×	×
445	5203403	Spacer (□)	×	×	×
445A	5203433	Spacer (△#☆)	×	×	×
446	5203402	Spacer (△□)	×	×	×

REF.	PART NO.	DESCRIPTION	48	52	60
	5203432	Pump Drive Pulley (#☆)	×	×	×
447	5203404	Electromagnetic Clutch (△□)	×	×	×
	5203434	Electromagnetic Clutch (#☆)	×	×	×
448	5203412	Bolt 7/16-20UNF×3	×	×	×
449	B5782-885	Bolt M8×85(△□)	×	×	×
449A	B5782-8100	Bolt M8×100 (☆#)	×	×	×
450	5203408	Washer	×	×	×
451	5203411	Clutch Stop Strap	×	×	×
452	5203409	Bushing	×	×	×
453	5203410	M17 Rubber Washer	×	×	×
454	5203407	Bushing (△□)	×	×	×
	5203437	Bushing (☆#)		×	×
455	5203405	Key 6.35×25	×	×	×
456	5203426	Kawasaki 25HP FH721V		×	×
	5203428	Kawasaki 21HP FH641V		×	×
	5203429	Kawasaki 23HP FH680V	×	×	×
	5203427	Kawasaki 27HP FX751V		×	×
	5203443	Kawasaki 22HP FX651V	×	×	×
	5203444	Kawasaki 24HP FX691V	×	×	×
457	5207016	Engine to Pump Belt	×	×	×
458	5203420	Engine Fuel Outlet Assembly	×	×	×
459	5203421	Connector	×	×	×
460	5203423	Fuel Line	×	×	×
461	5203422	Connector 1	×	×	×
462	5203436	Bushing (☆#)	×	×	×
463	B3452.1-16265	O Ring 16×2.65 (△#☆)	×	×	×
464	B861.1-6	Washer M6	×	×	×
465	5203440	Muffler (△#)	×	×	×
	5203441	Muffler (☆)		×	×
	5203446	Muffler (□)	×	×	×
466	5203442	Washer	×	×	×
467	5207080	Idler Pulley Assembly	×	×	×
468	B93-10	Washer M10 (☆□)		×	×
469	5207069	Pump Pulley Assembly	×	×	×

Note: △ Equipped With Kawasaki FH641V、FH721V
 # Equipped With Kawasaki FH680V
 ☆ Equipped With Kawasaki FX751V
 □ Equipped With Kawasaki FX651V、FX691V

WARNING

To avoid serious injury or death:

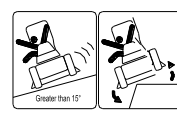
- Pick up objects that could be thrown by the blades.
- Do NOT mow when people and pets are in the area.
- Do NOT open passengers.
- Look behind and to the side before changing directions.
- Before leaving operator's position:
 - Disengage PTO.
 - Move drive levers out to neutral/back position.
 - Engage park brake.
 - Stop engine.



WARNING

Operation on wet grass or steep slopes can cause slipping and loss of control.

- Wheels dropping over edges can cause rollovers, which may result in serious injury, death or drowning.
- To avoid loss of control and possibility of rollover:
 - Do NOT operate near drop-offs or near water.
 - Do NOT operate on slopes greater than 15°.
 - Reduce speed and use extreme caution on slopes.
 - Avoid sudden turns or rapid speed changes.
- There is no rollover protection when the roll bar is down.
- Always keep roll bar in raised and locked position and use seat belt.
- Read and follow roller protection instructions and warnings.



WARNING

To avoid serious injury or death:

- Read and understand the operator's manual before using this machine.
- Do NOT operate unless trained to safely use this machine.
- Do NOT operate under the influence of alcohol or drugs.
- Do NOT operate without shields, guards, and safety devices in place and working.
- Check the function of the operator presence control (OPC) safety system daily. Do NOT disable the OPC system.
- Stop engine and remove key before adjusting, servicing, or cleaning machine and attachments.
- Hearing protection is recommended.

470

WARNING

Battery contains sulfuric acid. Avoid contact and always shield eyes, face, skin and clothing from battery. Cigarettes, flames or sparks could cause battery to explode. Do not charge or use booster cables or adjust post connections without proper training. In event of an accident flush with water and call a physician immediately. Keep out of reach of children.

DRIVE WHEEL RELEASE



Use 5/8 wrench
One turn counter-clockwise to release
Do not over-tighten

472

WARNING

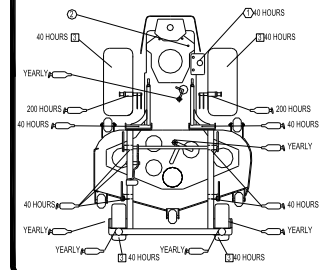
TO AVOID INJURY OR DEATH FROM ROLLOVER:
Keep roll bar in the raised and locked position and use seat belt.

THERE IS NO ROLL OVER PROTECTION WHEN THE ROLL BAR IS DOWN.
Lower the roll bar only when absolutely necessary. Do not wear seat belt when the roll bar is down. Drive slowly and carefully. Raise the roll bar as soon as clearance permits. Read and follow slope operation instructions and warnings.

476

CHECK/SERVICE REFERENCE AID

- GREASE LUBE POINTS AT INTERVAL SHOWN.
- CHECK HYDRAULIC FLUID AT INTERVAL SHOWN. (USE ONLY MOBIL 1 15W-50 SYNTHETIC MOTOR OIL.)
- SEE ENGINE OPERATOR'S MANUAL FOR SERVICING ENGINE.
- CHECK TIRE PRESSURE IN PNEUMATIC TIRES AT INTERVAL SHOWN. (CASTER TIRES - 28 PSI) (DRIVE TIRES - 19 PSI) SEE OPERATOR'S MANUAL FOR ADDITIONAL DETAILS.



475

WARNING

DO NOT OPERATE WITHOUT DISCHARGE DEFLECTOR, ENTIRE GRASS COLLECTION SYSTEM, OR MULCH KIT IN PLACE. DO NOT REMOVE GRASS CATCHER UNTIL BLADES HAVE STOPPED.

CAUTION

- Loose or Damaged Blade Bolt may allow blade to come out from under deck at HIGH SPEED.
- Replace Blade Bolt after striking a foreign object.
- Torque Blade Bolt to 115-120 FT-LBS(158-163N m).

SEE OPERATOR'S MANUAL

ANTI-SCALP ROLLER ADJUSTMENT

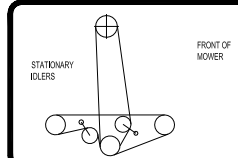
FOR NORMAL OPERATING CONDITIONS, PLACE ROLLERS IN POSITIONS SHOWN FOR 3/4(19) GROUND CLEARANCE.



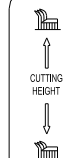
FOR MAXIMUM FLOATION, ROLLERS MAY BE POSITIONED LOWER, BUT MUST MAINTAIN A MINIMUM OF 1/4" GROUND CLEARANCE. NEVER POSITION THE ROLLERS TO SUPPORT THE MOWER DECK.

STATIONARY ROLLERS

FRONT OF MOWER



CUTTING HEIGHT



471

486

478

494

489


WARNING

- Hot exhaust components may ignite fuel or debris.
- Fire or explosion may occur, resulting in property damage, personal injury or death.
- Do not operate without entire exhaust system in place and in proper working condition.

HYDRAULIC OIL-USE ONLY MOBIL 1 SAE 15W-50 SYNTHETIC ENGINE OIL
FILL TO 2/3 OF HEIGHT OF HYDRAULIC RESERVOIR

CAUTION

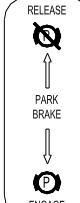
HOT SURFACE



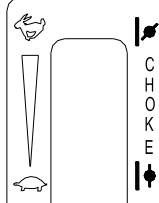
RELEASE

PARK BRAKE

ENGAGE



CHOKER



MOTION CONTROL

↑

↓

N

R



DANGER

To avoid serious injury or death: Avoid blades unless engine and blades are stopped.



474

DANGER

COVER IS MISSING. DO NOT OPERATE THIS UNIT WHEN COVER IS NOT IN PLACE.

479

480

477

519

493

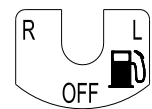
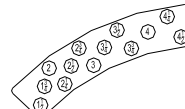
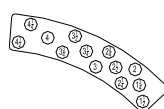
482

CAUTION

DO NOT OPERATE WITHOUT GUARD IN PLACE

CAUTION

MUFFLER AND SHIELDS MAY EXCEED 150°F



473

481

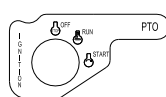
484

485

488

501

NO STEP



EMISSION CONTROL INFORMATION
JANGSU WORLD-PLANT-PROTECTING MACHINERY CO.,LTD
THIS EQUIPMENT MEETS U.S. EPA STAGE II STANDARDS
EQUIPMENT FAMILY NAME:BJWPPNHE002

483

487

497

518

52

60

48

Worldlawn Power Equipment

492

495

499

498



Decals

REF.	PART NO.	DESCRIPTION	48	52	60
470	8301	Decal, Operational Warning	×	×	×
471	8307	Decal, Warning Discharge	×	×	×
472	8319	Decal, Warning Battery	×	×	×
473	8303	Decal, Caution Guard	×	×	×
474	8325	Decal, Danger Avoid Blades	×	×	×
475	8320	Decal, Service	×	×	×
476	8315	Decal, Caution Roll Bar	×	×	×
477	8322	Decal, Park Brake	×	×	×
478	8310	Decal, Roller Adjustment	×	×	×
479	8317	Decal, Warning Exhaust	×	×	×
480	8316	Decal, Caution Hot	×	×	×
481	8318	Decal, Caution Hot	×	×	×
482	8305	Decal, Danger Foot Plate	×	×	×
483	8304	Decal, No Step	×	×	×
484	8321	Decal, Cutting Height	×	×	×

REF.	PART NO.	DESCRIPTION	48	52	60
485	8302	Decal, Cutting Height	×	×	×
486	8308	Decal, Caution Loose Blade Bolt	×	×	×
487	8312	Decal, Ignition	×	×	×
488	8300	Decal, Cobra Logo	×	×	×
489	8323	Decal, Cutting Height Direction	×	×	×
492	8326	Decal, 52"		×	
493	8324	Decal, Motion Control	×	×	×
494	8309	Decal, Belt Routing	×	×	×
495	8327	Decal, 60"			×
497	8985	WORLD Logo	×	×	×
498	8341	Decal, Worldlawn Logo	×	×	×
499	8328	Decal, 48"	×		
501	8332	Decal, Fuel Valve	×	×	×
518	8602	EPA Decal	×	×	×
519	8531	Decal, Choke/Throttle	×	×	×



WORLDLAWN®

Notes:



WORLDLAWN®

Worldlawn Power Equipment, Inc.

2415 Ashland Avenue, Beatrice, NE 68310

Phone: (402) 228-4255

Fax: (402) 223-4103

www.worldlawn.com

E-mail: worldlawnmower@adelphia.net

Form No. 52103-201312