



**WORLDLAWN®**

**WYW36FS481V**

**WYW48FS481V**



**PARTS MANUAL**



**WORLDLAWN POWER EQUIPMENT, INC.**

**WORLDLAWN.COM**

**2415 ASHLAND AVE  
BEATRICE, NE 68310**

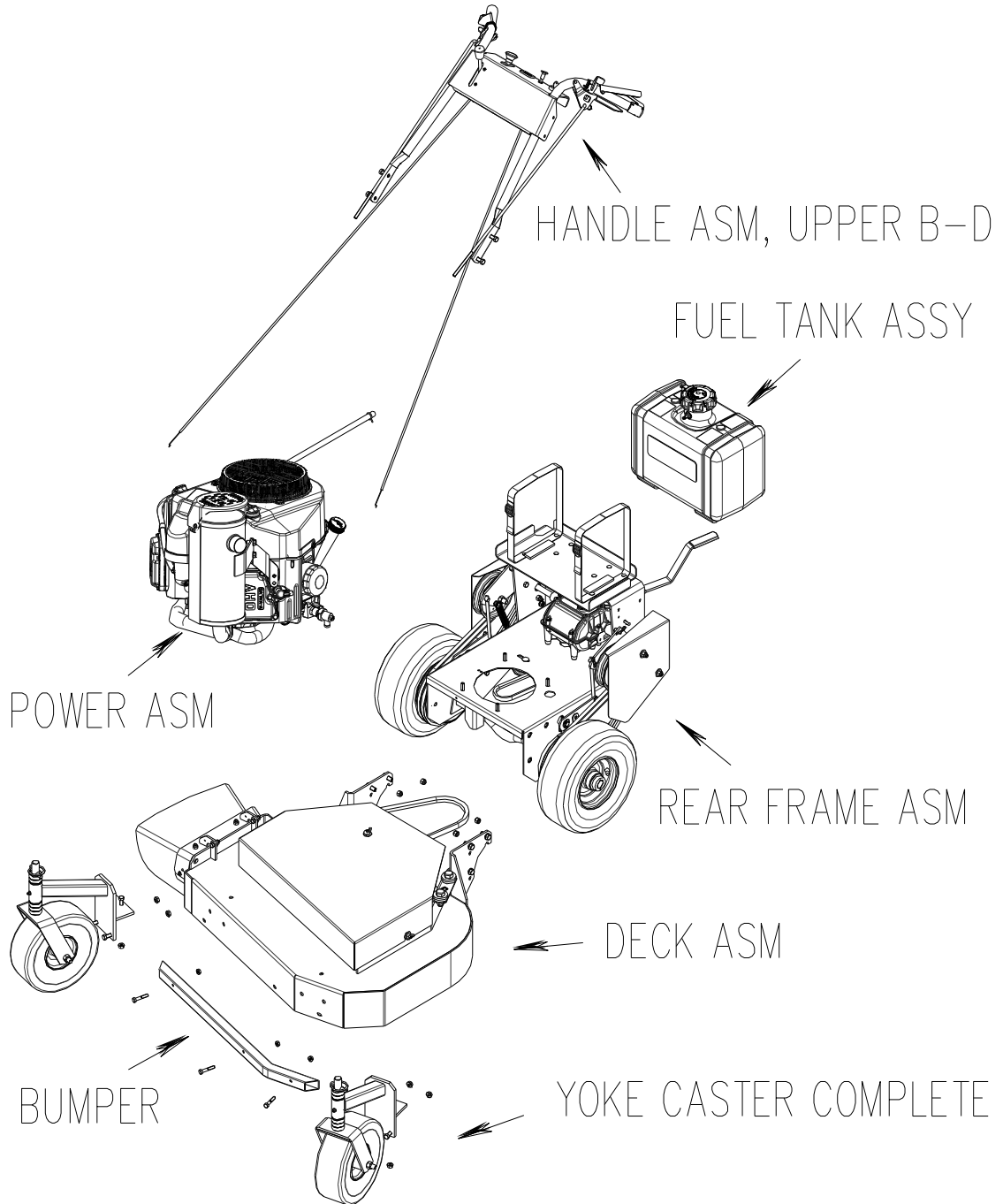
**800-267-4255**

**FAX – 402-223-4103**

## Content

WHOLE MOWER.....	2
DECK ASM, 36” FIXED.....	3
DECK ASM, 48” FIXED.....	5
REAR DECK ASM, 36” /48” BELT DRIVE.....	7
HANDLE ASM, BELT LOWER.....	9
HANDLE ASM, UPPER B-D.....	10
YOKE CASTER COMPLETE.....	11
ASM, 36” RUBBER DEFLECTOR.....	12
ASM, 48” RUBBER DEFLECTOR.....	13
POWER ASM, FS481V BELT.....	14
FIVE GALLON EPA FUEL.....	15
WIRE.....	16
DECAL.....	17

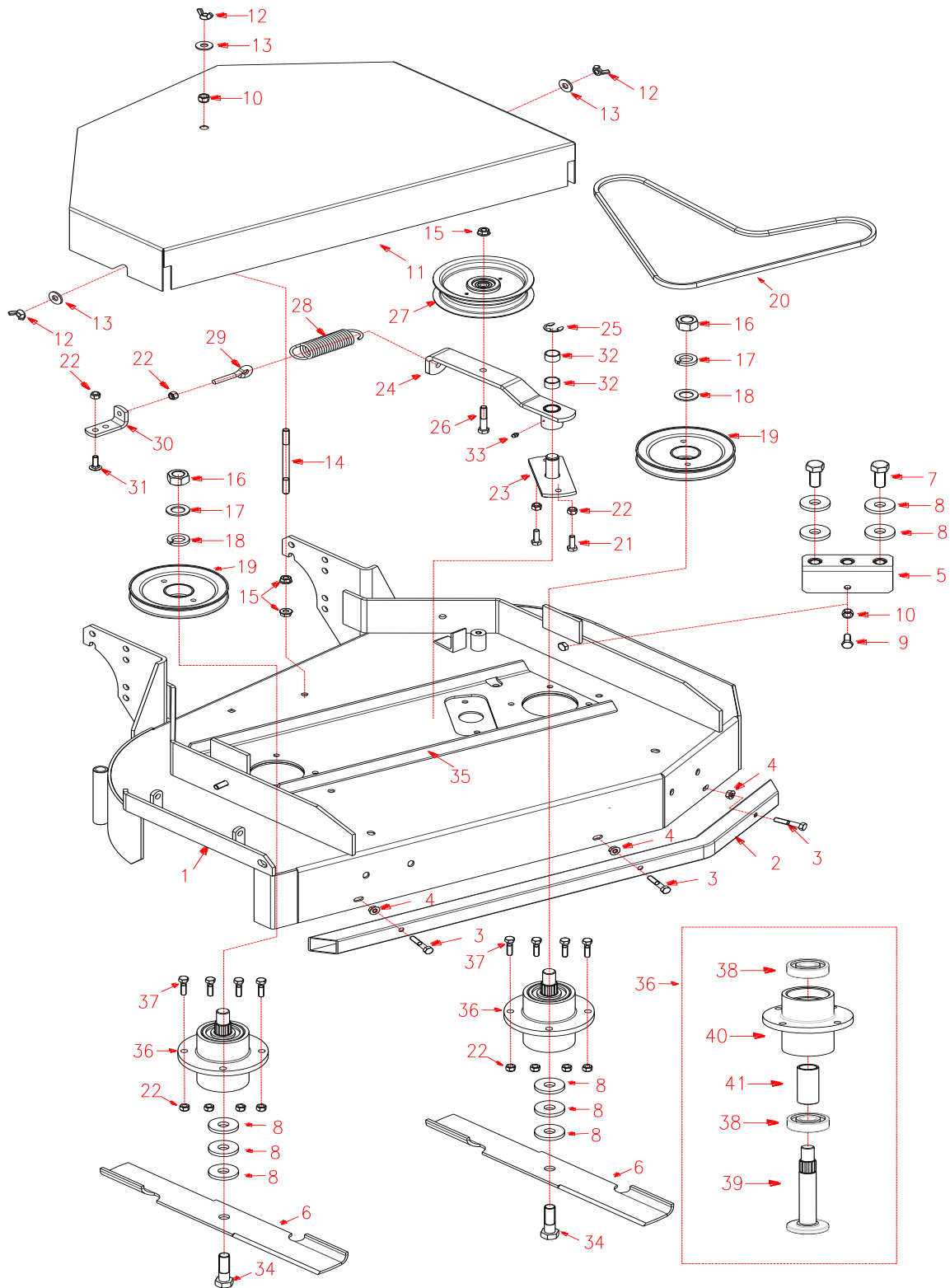
# WHOLE MOWER





WORLDLAWN®

# DECK ASM, 36" FIXED





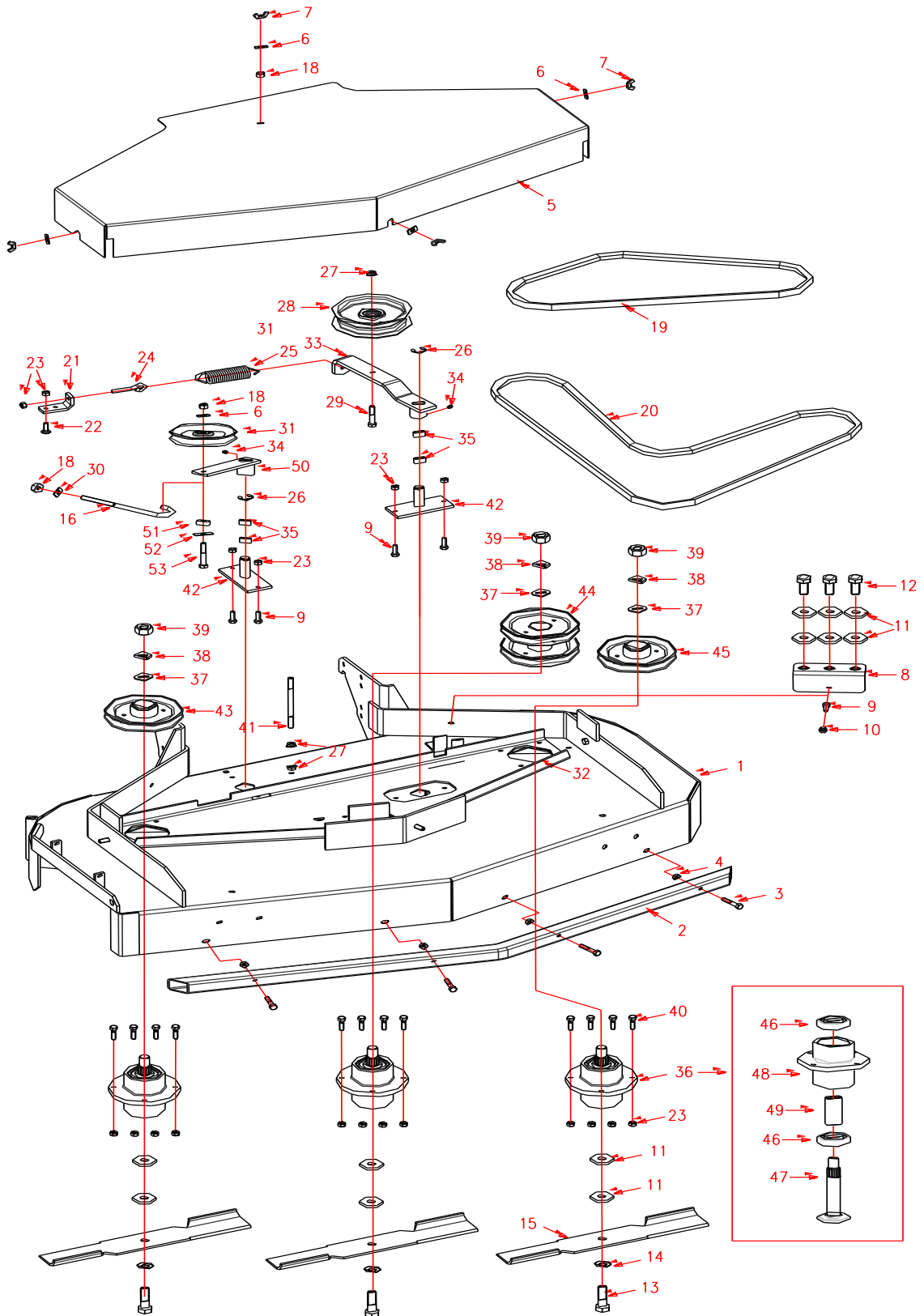
## DECK ASM, 36" FIXED

ITEMS	PART NO.	DESCRIPTION	ITEMS	PART NO.	DESCRIPTION
1	362106	36" FRONT DECK WLDMT	22	104256	5/16-18 HEX NYLOC NUT
2	363304	36" SQ. BUMPER	23	362024	IDLER PIVOT ASSY
3	100276	5/16-18 X 1-3/4 HHCS	24	482063	LEVER ASM, DECK IDLER
4	109001	5/16-18 WHIZLOCK NUT	25	108509	E-RING 3/4 DIA.
5	323019	LH Z-BAR	26	100296	3/8-16 X 2 HHCS
6	363291	18" BLADE	27	363264	ENGAGEMENT IDLER
7	100356	5/8-11 X 1-1/2 HHCS	28	523327	FLOATING IDLER SPRING
8	363382	BLADE SPACER	29	363080	EYEBOLT-RIGHT
9	100292	3/8-16 X 1 HHCS	30	523094	SPRING MOUNT-DECK
10	104257	3/8-16 HEX NYLOC NUT	31	107509	5/16-18 X 1 CARR. BOLT
11	362105	BELT SHIELD ASSY	32	363089	ENGAGEMENT-BUSH
12	103027	3/8-16 WINGNUT-PLTD	33	111004	1/4-28 ZERK
13	105260	3/8 STD FLAT WASHER	34	100358	5/8-11 X 2-1/4 HHCS
14	363090	BELT SHIELD SUPPORT	35	362107	DECK CHANNEL - 36"
15	109007	3/8-16 WHIZLOCK NUT	36	363379	CUTTER HOUSING ASSY-W/B
16	104511	3/4-16 UNF REG HEX NUT	37	100274	5/16-18 X 1-1/4 HHTB
17	105010	3/4 LOCKWASHER	38	363350	BEARING
18	105269	3/4 SAE FLAT WASHER	39	583112	SPINDLE SHALFT
19	363378	RAISED PULLEY - 5 3/4	40	363380	BEARING BLOCK
20	363210	BLADE DRIVE BELT	41	583113	SEPARATE SLEEVE
21	100273	5/16-18 X 1 HHCS			



WORLDLAWN®

# DECK ASM, 48" FIXED





## DECK ASM, 48" FIXED

ITEMS	PART NO.	DESCRIPTION	ITEMS	PART NO.	DESCRIPTION
1	482069	48" FRONT DECK	28	363264	ENGAGEMENT IDLER
2	483043	48" SQ. BUMPER	29	100296	3/8-16 X 2 HHCS
3	100276	5/16-18 X 1-3/4 HHCS	30	105260	3/8 STD FLAT WASHER
4	109001	5/16-18 WHIZLOCK NUT	31	483025	RH IDLER PULLEY
5	482068	48" BELT SHIELD	32	482070	48" DECK CHANNEL WLDMT
6	105260	3/8 STD FLAT WASHER	33	482063	LEVER ASM, DECK IDLER
7	103027	3/8-16 WINGNUT	34	111004	1/4-28 ZERK
8	322019	SPACER HOLDER	35	363089	ENGAGEMENT-BUSH
9	100273	5/16-18 X 1 HHCS	36	363379	CUTTER HOUSING ASM
10	104256	5/16-18 HEX NYLOC NUT	37	105269	3/4 SAE FLAT WASHER
11	363382	BLADE SPACER	38	105010	3/4 LOCKWASHER
12	100356	5/8-11 X 1-1/2 HHCS	39	104511	3/4-16 UNF REG HEX NUT
13	100358	5/8-11 X 2-1/4 HHCS	40	100274	5/16-18 X 1-1/4 HHTB
14	583108	5/8 SPRING DISC WASHER	41	363090	BELT SHIELD SUPPORT
15	483035	16" BLADE	42	362024	IDLER PIVOT ASSY
16	483003	BELT TENSION ROD	43	363431	LOWERED PULLEY
17	105260	3/8 STD FLAT WASHER	44	363377	DOUBLE PULLEY - 5 3/4
18	104257	3/8-16 HEX NYLOC NUT	45	363378	RAISED PULLEY - 5 3/4
19	483031	RH BLADE BELT	46	363350	BEARING
20	483030	BLADE DRIVE BELT	47	583112	SPINDLE SHALFT
21	523094	SPRING MOUNT-DECK	48	363380	BEARING BLOCK
22	107509	5/16-18 X 1 CARR. BOLT	49	583113	SEPARATE SLEEVE
23	104256	5/16-18 HEX NYLOC NUT	50	482001	RH IDLER ARM
24	363080	EYEBOLT-RIGHT	51	483017	RH IDLER SPACER
25	108509	E-RING 3/4 DIA.	52	483019	RH IDLER WASHER
26	523327	FLOATING IDLER SPRING	53	100297	3/8-16 X 2-1/4 HHCS
27	109007	3/8-16 WHIZLOCK NUT			







WORLDLAWN®

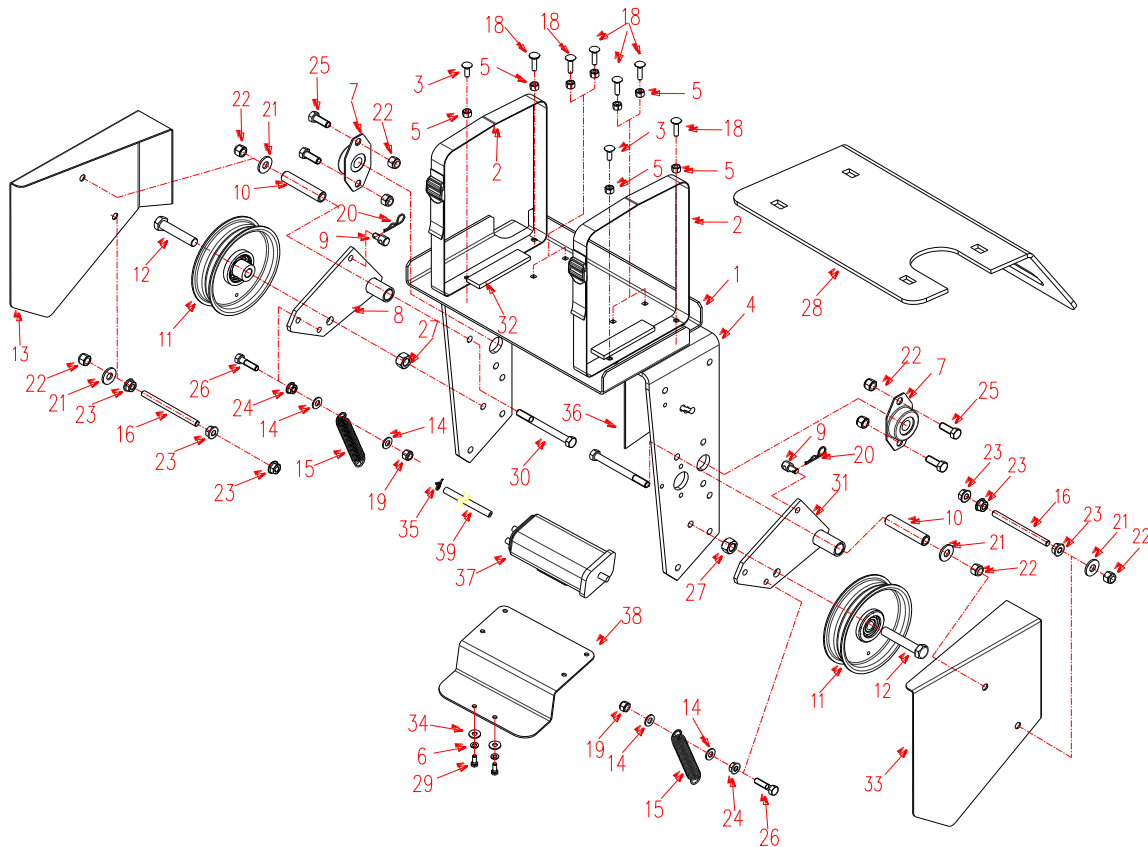
## REAR DECK ASM, 36"/48" BELT

ITEMS	PART NO.	DESCRIPTION	ITEMS	PART NO.	DESCRIPTION
1	363169	SMALL IDLER	31	363176	6" BRAKE BAND
2	482062	DECK WMT, 36/48 BELT REAR	32	363177	3/8 PUSH NUT
3	107501	3/8-16 X 2 CARR. BOLT	33	363135	BRAKE CONNECTOR
4	108508	EXTERNAL SNAP RING 5/8	34	362026	BRAKE CONNECTOR ASSY
5	363220	TRANSMISSION SHEAVE	35	111004	1/4-28 ZERK
6	363212	TRANSMISSION BELT	36	362042	LT BRAKE ARM ASM
7	363430	TRANSMISSION, 5 SP WALK	37	108500	E-RING 5/8 DIA.
8	B5783-820	SCREW, HH TAP M8x20	38	363165	#3 HAIRPIN COTTER
9	105005	5/16 LOCKWASHER-HEAVY	39	323029	32" SQUARE BUMPER
10	363128	SHIFTER BRKT	40	363142	BRAKE LINKAGE
11	104251	3/8-24 NYLOC NUT	41	100292	3/8-16 X 1 HHCS
12	105260	3/8 STD FLAT WASHER	42	363145	CLAMP COLLAR
13	362060	SHIFTER LEVER W/GRIP	43	B70.1-510	CAP SCREW, 5 X 10 HEX
14	105258	5/16 STD FLAT WASHER	44	753027	SPRING DISC WASHER
15	100274	5/16-18 X 1-1/4 HHTB	45	100293	3/8-16 X 1-1/4 HHCS
16	362048	DRIVE WHEEL ASSY-PUR	46	105260	3/8 STD FLAT WASHER
17	463128	TRANSMISSION SWITCH	47	104257	3/8-16 HEX NYLOC NUT
18	362086	9 SPL. COUPLER W/ZERK	48	109007	3/8-16 WHIZLOCK NUT
19	363367	SHAFT EXTENSION - 9SPL.	49	100296	3/8-16 X 2 HHCS
20	107009	3/4 X 3/16 WOODRUFF KEY	50	104256	5/16-18 HEX NYLOC
21	108508	EXTERNAL SNAP RING 5/8	51	100273	5/16-18 X 1 HHCS
22	363087	TRANS SHAFT SPACER	52	452186	WLD, CLUTCH TORSION
23	103293	5/16-18 X 3/8 SETSCREW	53	B93-8	LOCKWASHER 8
24	363137	2-GROOVE SHEAVE	54	362041	RT BRAKE ARM ASM
25	363312	2PC WHEEL DRIVE BELT SET	55	362055	TIRE
26	104256	5/16-18 HEX NYLOC NUT	56	363191	PULLEY
27	363075	ROUND BELT GUIDE	57	363190	PULLEY FRAME
28	100273	5/16-18 X 1 HHCS	58	100275	5/16-18X1-1/2 HHCS
29	109001	5/16-18 WHIZLOCK NUT	59	105005	5/16 LOCKWASHER-HEAVY
30	363121	WHEEL WASHER	60	363113	WHEEL PULLEY SPACER



WORLDLAWN®

# HANDLE ASM, BELT LOWER

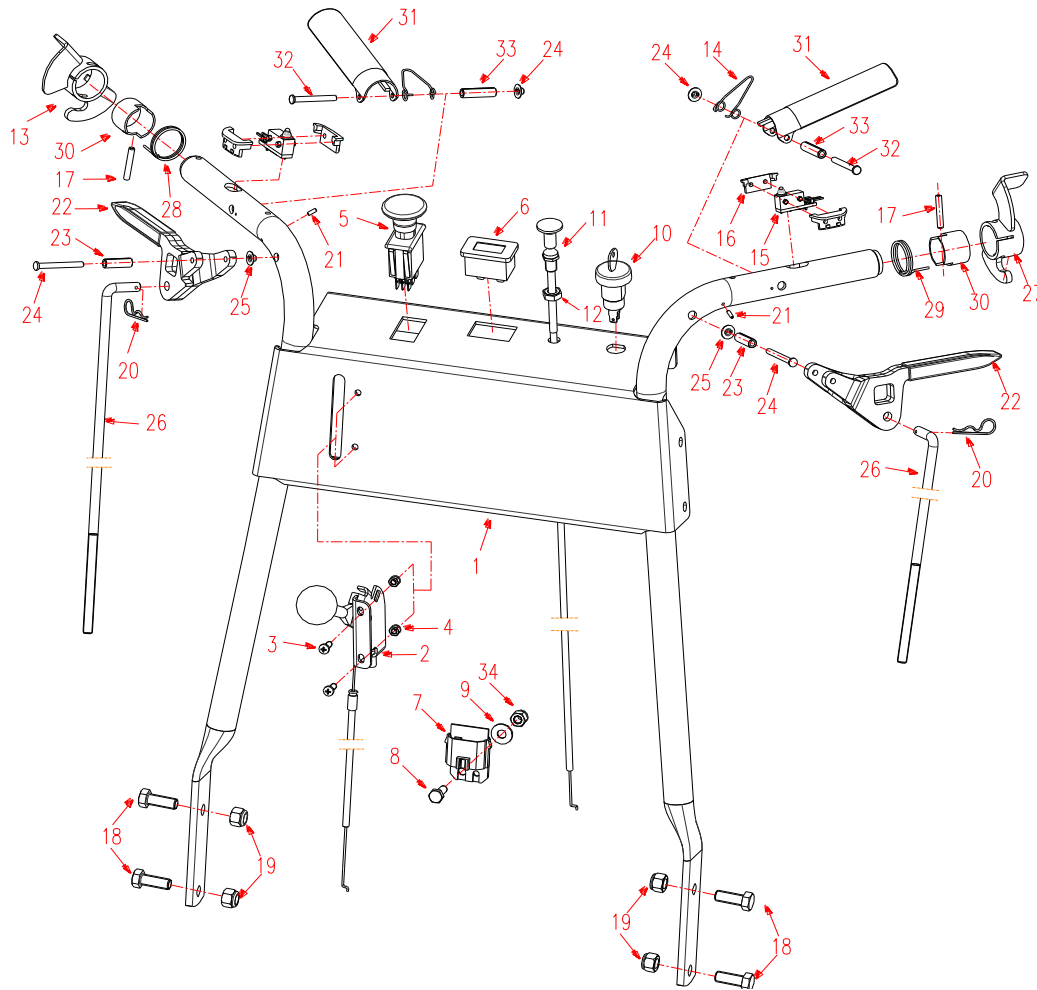


ITEMS	PART NO.	DESCRIPTION	ITEMS	PART NO.	DESCRIPTION
1	363420	FUEL TANK MNT – PAINTED	21	105260	3/8 STD FLAT WASHER
2	363368	GAS TANK BELT	22	104257	3/8-16 HEX NYLOC NUT
3	107502	1/4-20 X 3/4 CARRIAGE BOLT	23	109007	3/8-16 WHIZLOCK NUT
4	363148	LOWER HANDLE	24	109001	5/16-18 WHIZLOCK NUT
5	104255	1/4-20 HEX NYLOC NUT	25	100292	3/8-16 X 1 HHCS
6	105004	1/4 LOCKWASHER	26	100274	5/16-18 X 1-1/4 HHTB
7	363292	FLANGED BEARING	27	104259	1/2-13 HEX NYLOC NUT
8	362037	RIGHT IDLER ARM	28	363224	TANK SADDLE
9	363029	.312 ROD SWIVEL	29	B5783-616	SCREW, HH TAP M6X16
10	363105	IDLER BUSHING	30	100303	3/8-16 X 4 HHCS
11	363168	DRIVE IDLER	31	362035	LEFT IDLER ARM
12	100331	1/2-13 X 2-1/2 HHCS	32	363201	FUEL TANK PAD
13	363286	FENDER RH	33	363288	FENDER LH
14	105257	5/16 SAE FLAT WASHER	34	105256	WASHER, FLAT
15	363117	BELT TENSION SPRING	35	363098	CLAMP, FUEL LINE
16	363093	SAFETY SHIELD SUPPORT	36	363416	LABEL, EPA-WB
17	362036	LEFT IDLER ARM	37	363423	SM CARBON CANISTER
18	107510	1/4-20 X 1 CARRIAGE BOLT	38	363426	CARBON CANISTER MT
19	104256	5/16-18 HEX NYLOC NUT	39	603032	FUEL LINE, 16 & 18 BRIGGS
20	363165	#3 ISSCO HAIRPIN COTTER			



WORLDLAWN®

# HANDLE ASM, UPPER B-D

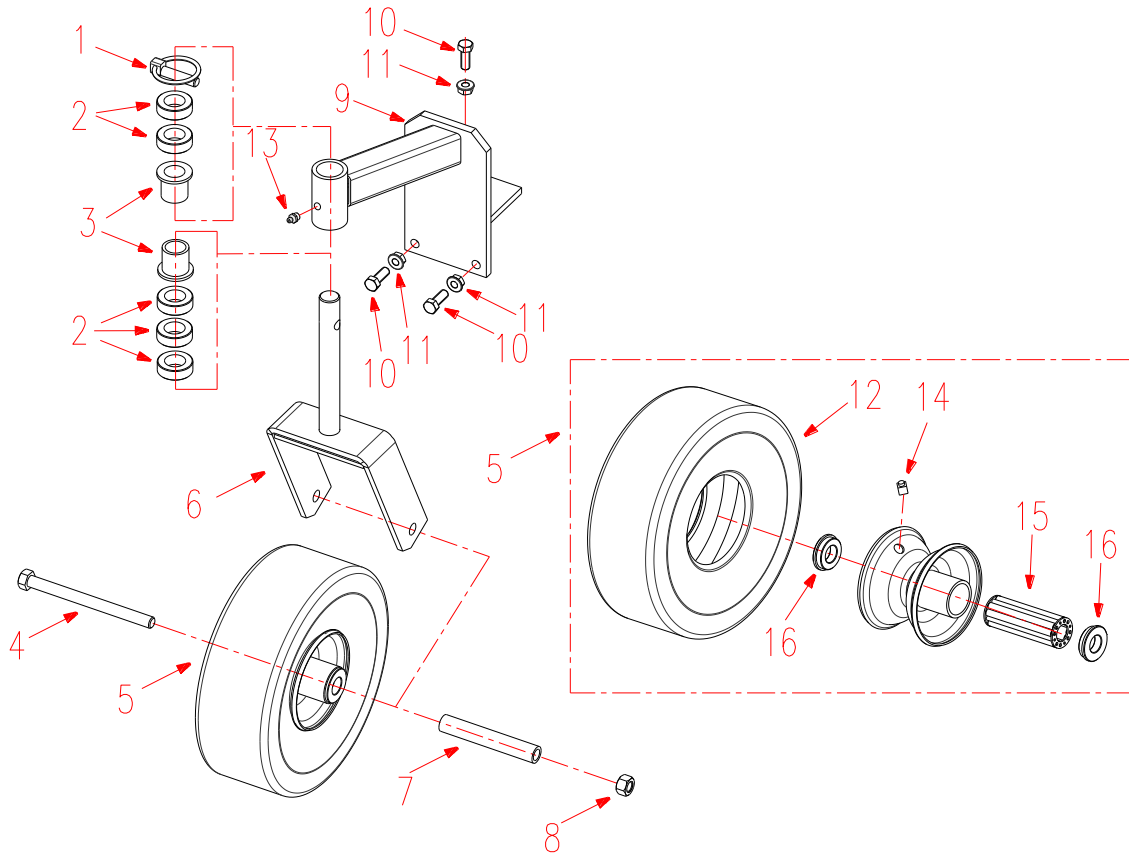


ITEMS	PART NO.	DESCRIPTION	ITEMS	PART NO.	DESCRIPTION
1	452169-1	HANDLE, CONSOLE - BLK	19	104257	3/8-16 HEX NYLOC NUT
2	453531	CABLE, THROTTLE	20	363165	#3 ISSCO HAIRPIN COTTER
3	B823-514	SCREW, PAN HD M5 X 14	21	B879-38	PIN, 3 X 8 ROLL
4	B6182-5	NUT, NYLOC M5	22	454117	LEVER, TRACTION SPEED
5	523031	PTO SWITCH	23	106340	5/16 X 1 ROLL PIN PLTD
6	453417	METER, MS HOUR	24	363073	TRACTION LEVER PIN
7	363372	SAFETY MODULE - WB	25	363219	3/16 PALNUT
8	100252	1/4-20 X 3/4 HHCS	26	363453	ROD, DRIVE CONTROL
9	105256	1/4 STD FLAT WASHER	27	322022	LOCK WMT, LH BELT
10	603060	RUN/STOP SWITCH	28	3206011	TORSION SPRING, RIGHT
11	523037	CHOKE CABLE	29	3206010	TORSION SPRING, LEFT
12	104754	3/8-24 HEX JAM NUT	30	3206033	BUSHING
13	322023	LOCK, RH BELT - BLK	31	453581	LEVER, OPC PALM
14	453585	SPRING, OPC PALM LEVER	32	453520	PIN, OPC LEVER PIVOT
15	453588	MODULE, OPC SWITCH	33	106342	5/16 X 1-1/4 ROLL PIN
16	453579	HOUSING, OPC SWITCH	34	104255	1/4-20 HEX NYLOC NUT
17	B879-318	PIN 3X18			
18	100292	3/8-16 X 1 HHCS			



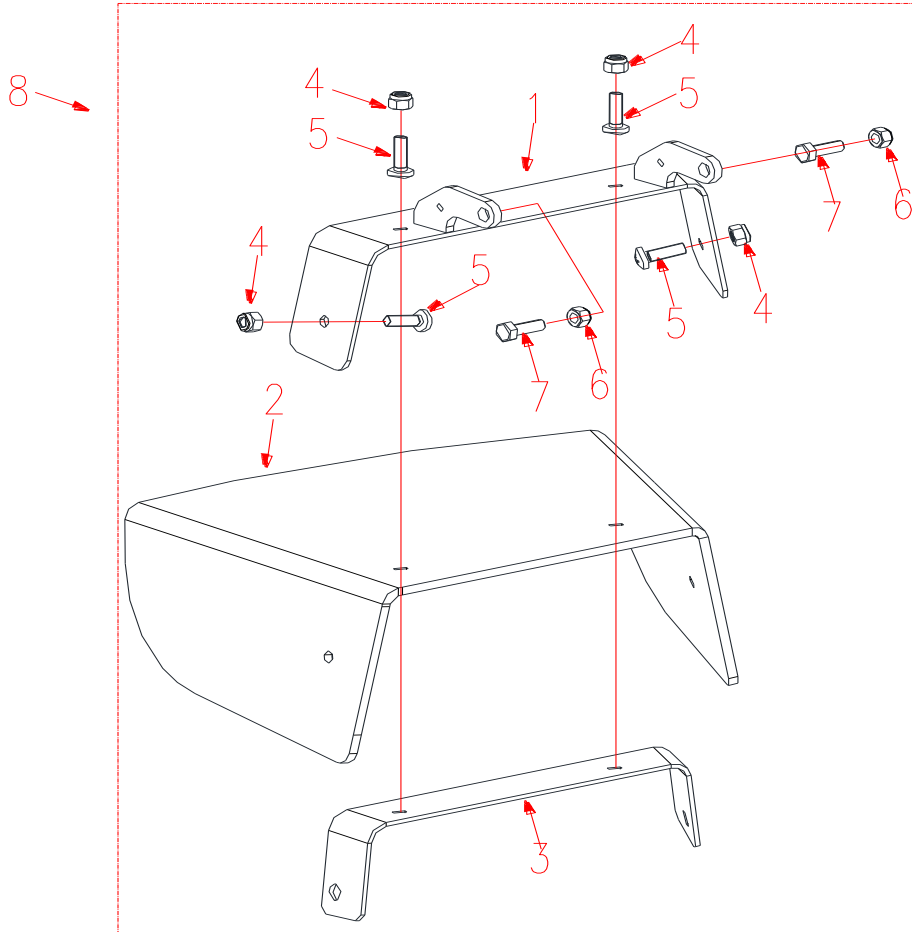
WORLDLAWN®

# YOKE CASTER COMPLETE



ITEMS	PART NO.	DESCRIPTION
1	109020	7/16 X 1-3/4 QUICK PIN HD
2	363006	10" CASTER SPACER
3	363007	FLANGE BEARING
4	100339	1/2-13 X 6 HHCS
5	363311	10" CASTER WHEEL
6	362081	YOKE-STRUT WLDMT
7	363307	AXLE TUBE
8	104259	1/2-13 HEX NYLOC NUT
9	362007	CASTER SUPPORT W/ BUSHING
10	100292	3/8-16 X 1 HHCS
11	109007	3/8-16 WHIZLOCK NUT
12	363360	TIRE Tube
13	111001	GREASE ZEAK
14	111005	GREASE ZEAK
15	423200	WHEEL HUB BEARING
16	423201	BEARING RETAINER

# ASM, 36" RUBBER DEFLECTOR

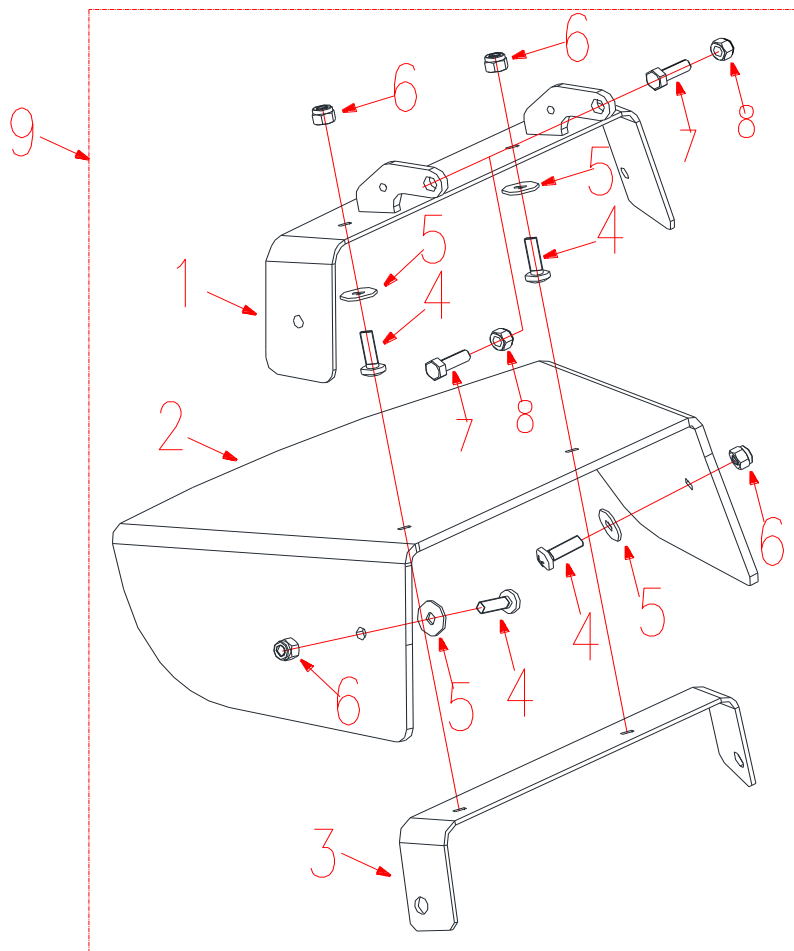


ITEMS	PART NO.	DESCRIPTION
1	482058	WLD, DEFLECTOR BRACKET
2	483118	RUBBER SHEET
3	483130-2	36 INSIDE DEFLECTOR BRACKET - RED
4	B6182-8	NUT, NYLOC M8
5	B818-825	SCREW, M8X25 PHILLIPS PAN
6	104256	5/16-18 HEX NYLOC NUT
7	100273	5/16-18 X 1 HHCS
8	482059	ASM, RUBBER DEFLECTOR



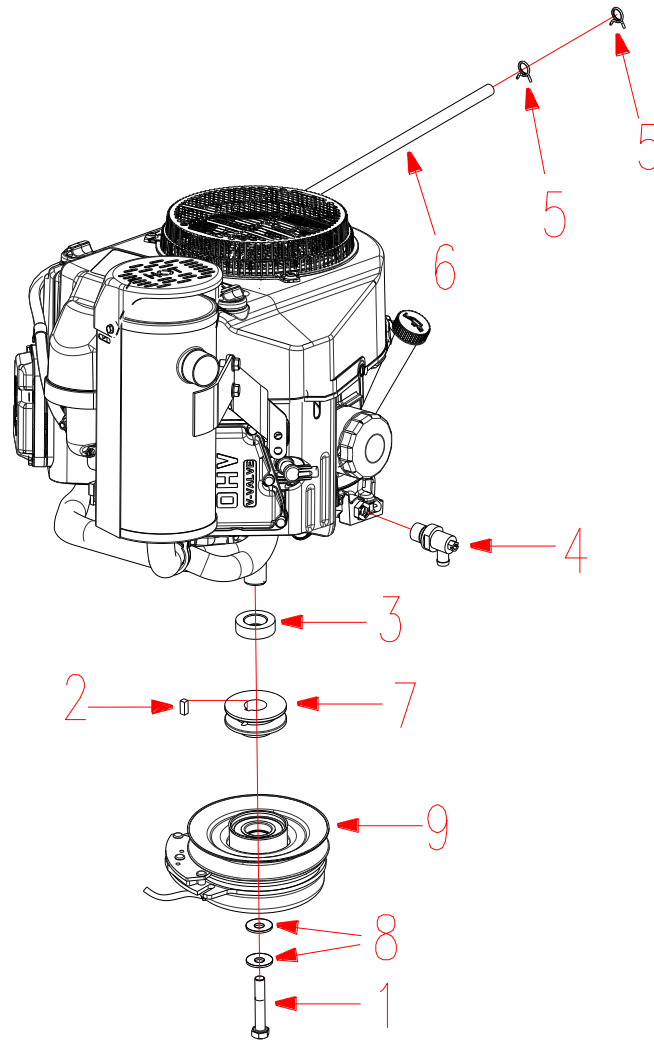
WORLDLAWN®

# ASM, 48" RUBBER DEFLECTOR



ITEMS	PART NO.	DESCRIPTION
1	482071-2	48" DEFLECTOR BRACKET - RED
2	483132	48" RUBBER SHEET
3	483133-2	48" INSLDE DEFLECTOR BRACKET - RED
4	B818-825	SCREW, M8X25 PHILLIPS PAN
5	B96-8	WASHER 8
6	B6182-8	NUT, NYLOC M8
7	100273	5/16-18 X 1 HHCS
8	104256	5/16-18 HEX NYLOC NUT
9	482072	ASM, 48 RUBBER DEFLECTOR

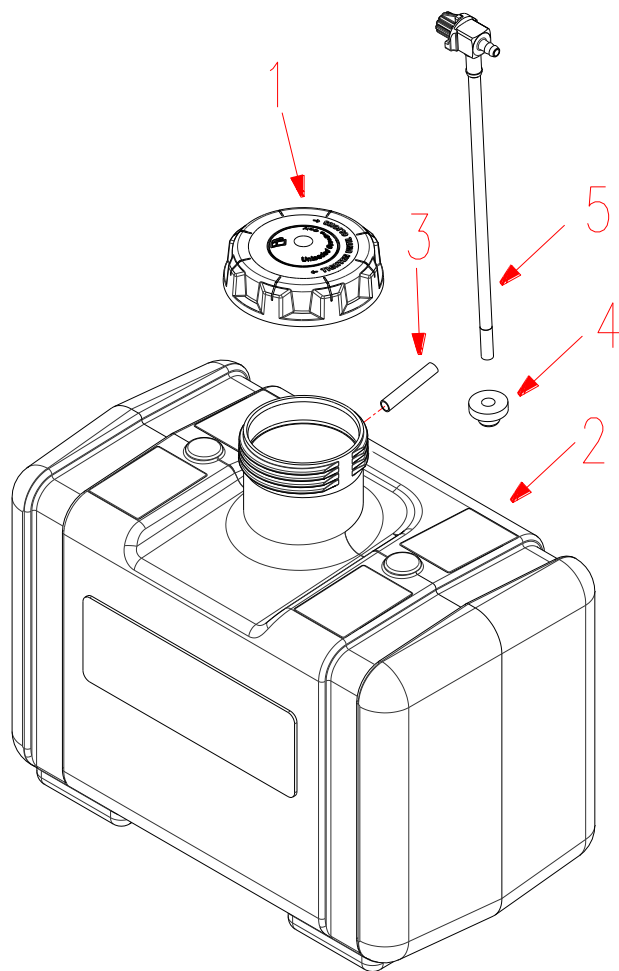
# POWER ASM, FS481V BELT



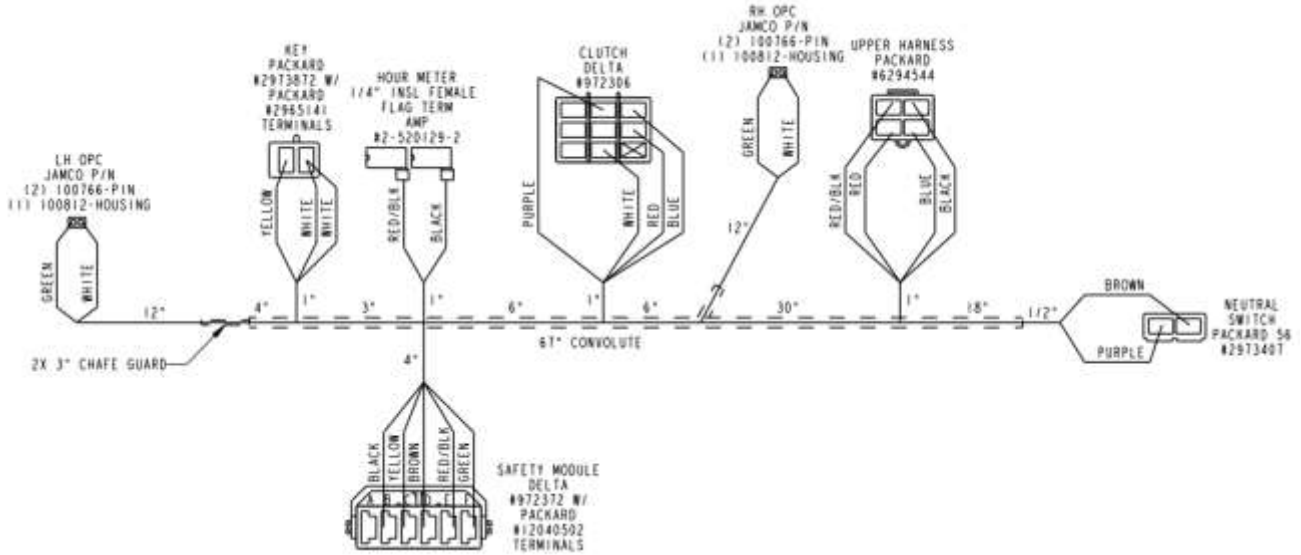
ITEMS	PART NO.	DESCRIPTION
1	100535	7/16-20 X 2-1/2 HHCS
2	107257	1/4 X 1/4 X 5/8 MACH KEY
3	583110	PULLEY SPACER
4	343146	90 DEGREE DRAIN
5	363098	CLAMP, FUEL LINE 1/4 ID
6	363099	LONG FUEL LINE
7	363119	TRANSMISSION PULLEY
8	423069	SPRING DISC. - 7/16
9	453478	CLUTCH, ELECTRIC BRAKE



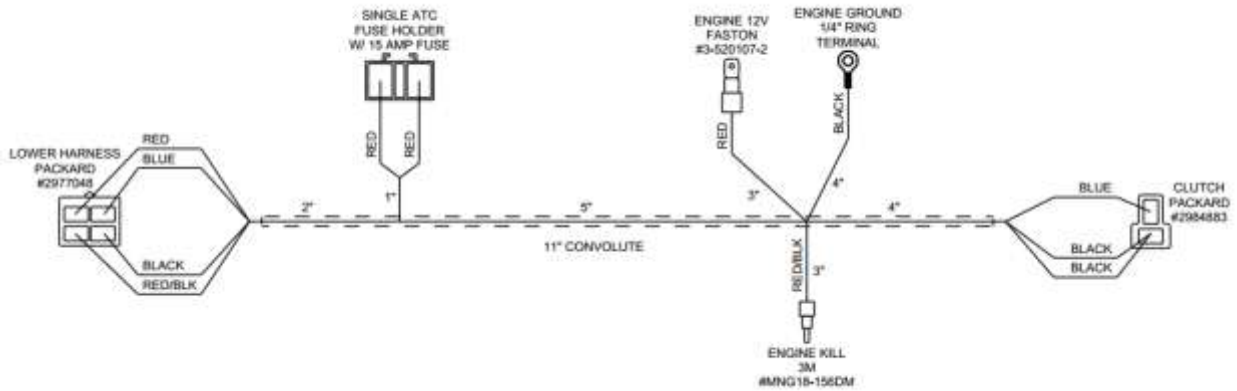
# FIVE GALLON EPA FUEL TANK ASSY



ITEM	PART NO.	DESCRIPTION
1	5204019	Fuel Tank Cap
2	363410	Fuel Tank, ASM.
3	4805004	VENT VALVE
4	533125	GROMMET
5	363418	FUEL VALVE



1



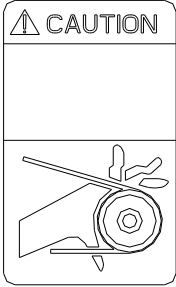
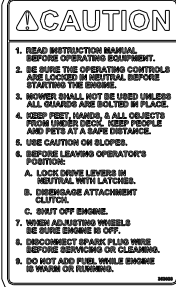
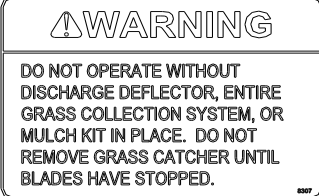




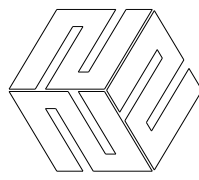

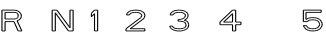

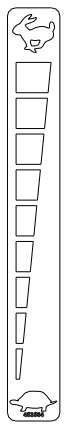


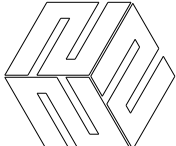
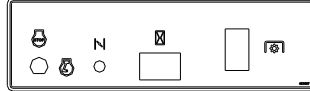
2

ITEMS	PART NO.	DESCRIPTION
1	323049	HARNESS, B-DRIVE
2	323051	HARNESS, ENGINE WIRE



WORLDLAWN®

# DECAL

 <p>1</p>	 <p>2</p>	 <p>3</p>
 <p>4</p>	 <p>5</p>	 <p>6</p>
 <p>7</p>	 <p>10</p>	 <p>11</p>
 <p>8</p>		
 <p>9</p>		
 <p>12</p>	 <p>13</p>	 <p>15</p>
 <p>14</p>	 <p>16</p>	



# DECAL

ITEMS	PART NO.	DESCRIPTION	ITEMS	PART NO.	DESCRIPTION
1	8008	DECAL, CAUTION, GUARDING LG	9	463445	DECAL, WORLDLAWN W/GRN
2	363038	CAUTION INST. LABEL	10	363405	DECAL, LOGO WL LARGE
3	8307	DECAL, DISCHARGE WARNING	11	453367	DECAL, SERIAL PLATE WL
4	363023	DANGER DECAL, HANDS AND FEET	12	453564	DECAL, THROTTLE
5	453566	DECAL, WL HANDLE	13	363233	SHIFTING LABEL
6	8303	DECAL, CAUTION, GUARDING SM	14	543291	WORLDLAWN LOGO DECAL
7	463444	DECAL, WORLDLAWN LG W/GRN	15	363416	EPA LABEL - WB
8	363241	GEARSHIFT LABEL (RN12345)	16	453567	DECAL, CONTROL CONSOLE



