

Parts Catalog



WORLDLAWN®

Commercial WY42/48 Mower



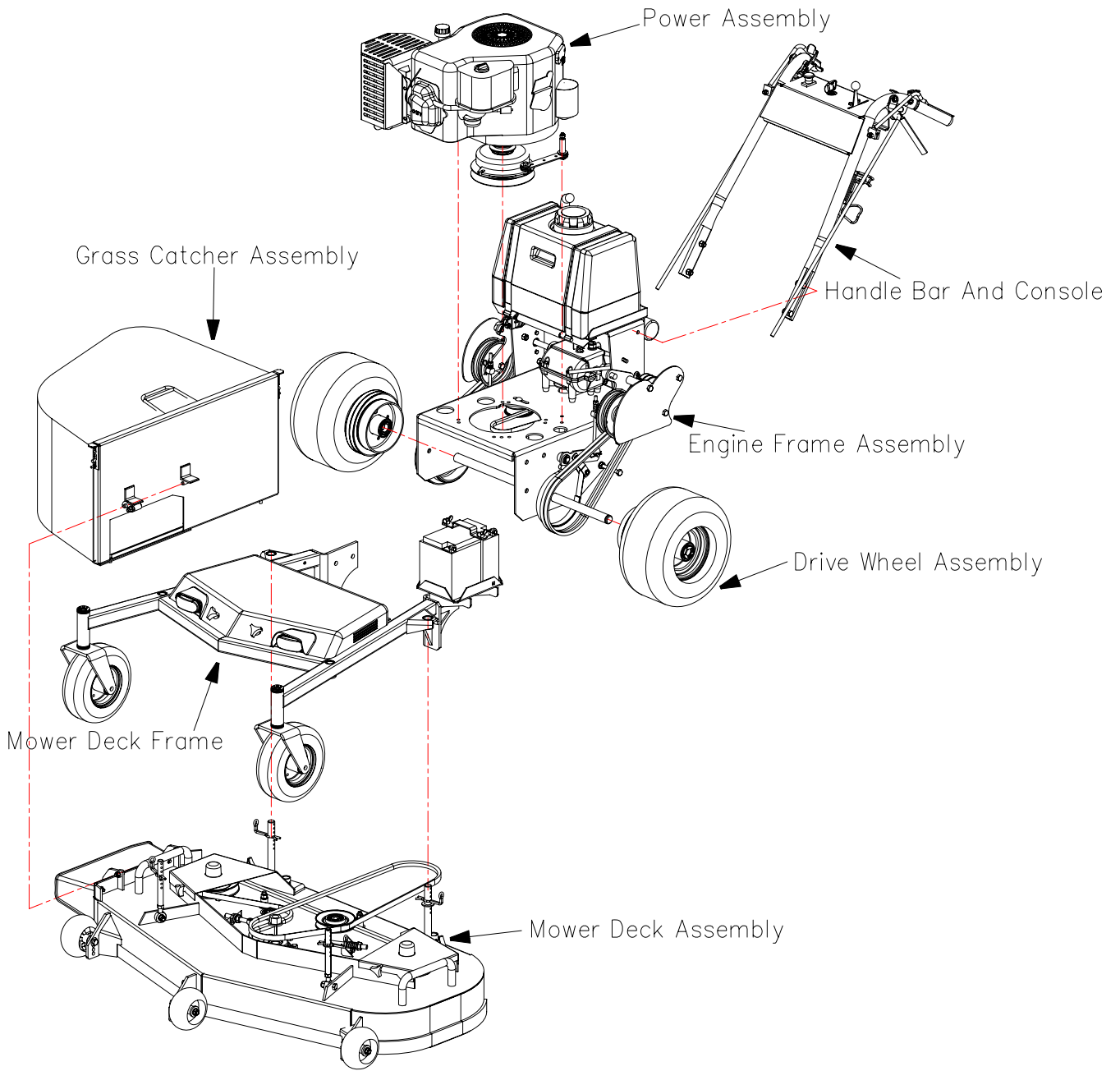
Worldlawn Power Equipment, Inc.

422 Turnbull Canyon Road, City of Industry, CA 91744

Toll Free Number: 1-866-9-Mowers (1-866-966-9377)

Content

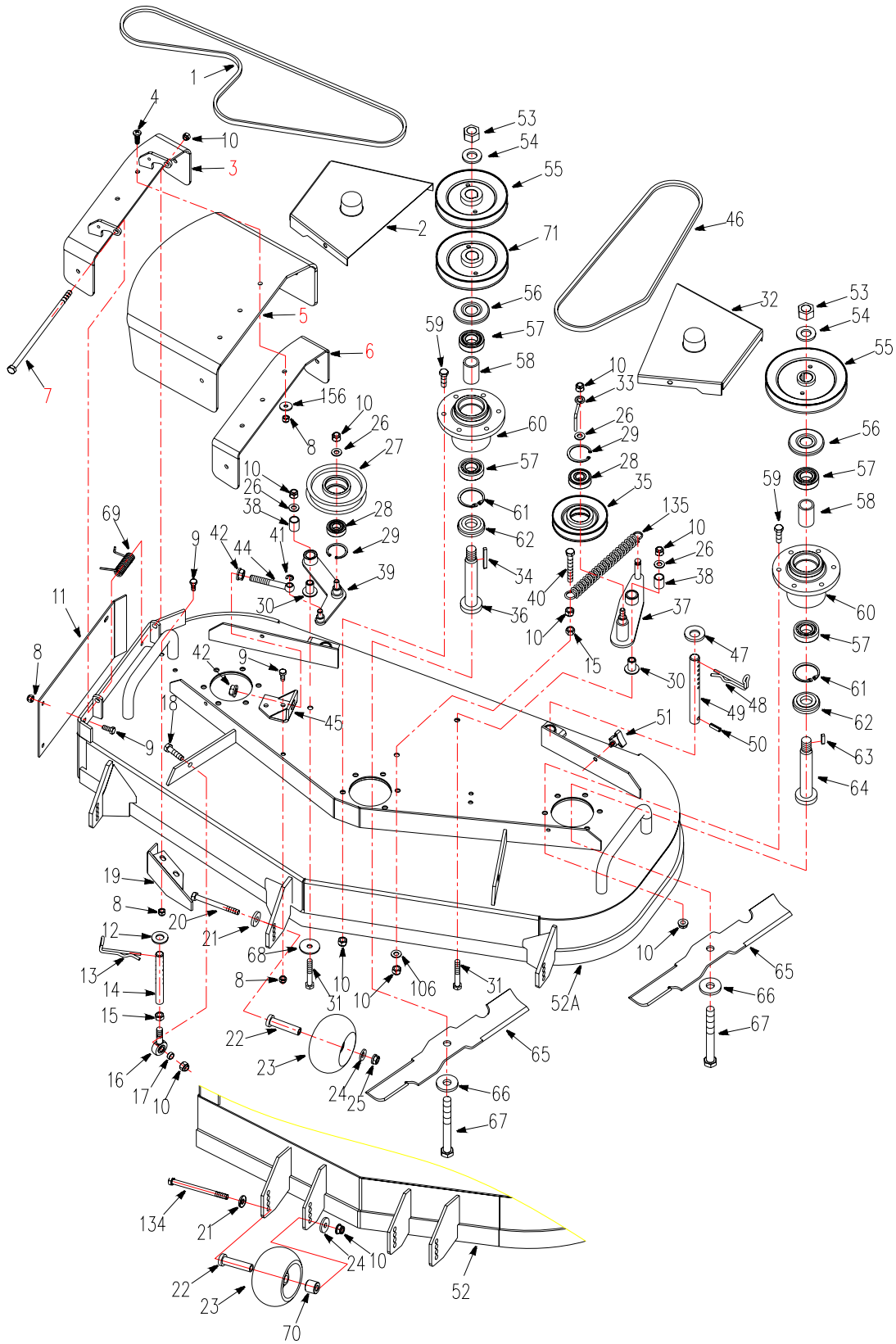
Mower Assembly.....	1
Mower Deck Assembly.....	2
Engine Frame Assembly.....	4
Power Assembly.....	6
Mower Deck Frame.....	8
Handle Bar and Console.....	10
Drive Wheel Assembly.....	11
Grass Catcher Assembly.....	12
Electrical Start-up	13
Recoil Start-up.....	14
Safety / Operation And Product Decals.....	15





WORLDLAWN®

Mower Deck Assembly





Mower Deck Assembly

REF.	PART NO.	DESCRIPTION	48	48E	42	42E
1	4201012	Blade Drive Belt			×	×
	4801007	Blade Drive Belt	×	×		
2	4201600A	Right Safety Board			×	×
	4801600	Right Safety Board	×	×		
3	4801060	Fixed Bracket	×	×	×	×
4	B818-830	“+”Screw M8×30	×	×	×	×
5	4801052	Discharge Chute	×	×	×	×
6	4801051	Bracket, Discharge chute	×	×	×	×
7	4801028	Long Screw	×	×	×	×
8	B6182-8	Nut M8	×	×	×	×
9	B5783-820	Bolt M8×20	×	×	×	×
10	B6182-10	Nut M10	×	×	×	×
11	4201009	Mulching Plate			×	×
	4801006A	Mulching Plate	×	×		
12	B97.1-16	Washer 16	×	×	×	×
13	4800008	Latch -RH	×	×	×	×
14	4801301	Front Column	×	×	×	×
15	B6170-10	Nut M10	×	×	×	×
16	B9163-10	BearingSABJK10C	×	×	×	×
17	4801302	Bushing	×	×	×	×
18	B5783-1040	Bolt M10×40	×	×	×	×
19	4201008	Grass Board			×	×
	4801200A	Grass Board	×	×		
20	B5782-10100	Bolt M10×100	×	×	×	×
21	5201061	Washer	×	×	×	×
22	5201082	Caster Wheel Bushing	×	×	×	×
23	5201081	Caster Wheel	×	×	×	×
24	5201083	Washer	×	×	×	×
25	B6187.1-10	Nut M10	×	×		
26	3302058	Washer 10	×	×	×	×
27	3302056	Idler Pulley Assembly	×	×	×	×
28	B276-6303RS	Bearing 6303-2RS	×	×	×	×
29	B893.2-47	Snap Ring 47	×	×	×	×
30	4201801	Bushing	×	×	×	×
31	B5782-1055	Hex Hd Bolt M10×55	×	×	×	×
32	4201700A	Safety Board (Left)			×	×
	4801700	Safety Board (Left)	×	×		
33	4201802	Belt Hook	×	×	×	×
34	B1096-B650	Key B6×50	×	×	×	×
35	2802070	Idler Pulley	×	×	×	×
36	4201404	Core Shaft	×	×	×	×
37	4201810A	Tension Pulley Seat assembly, LH	×	×	×	×
38			×	×	×	×

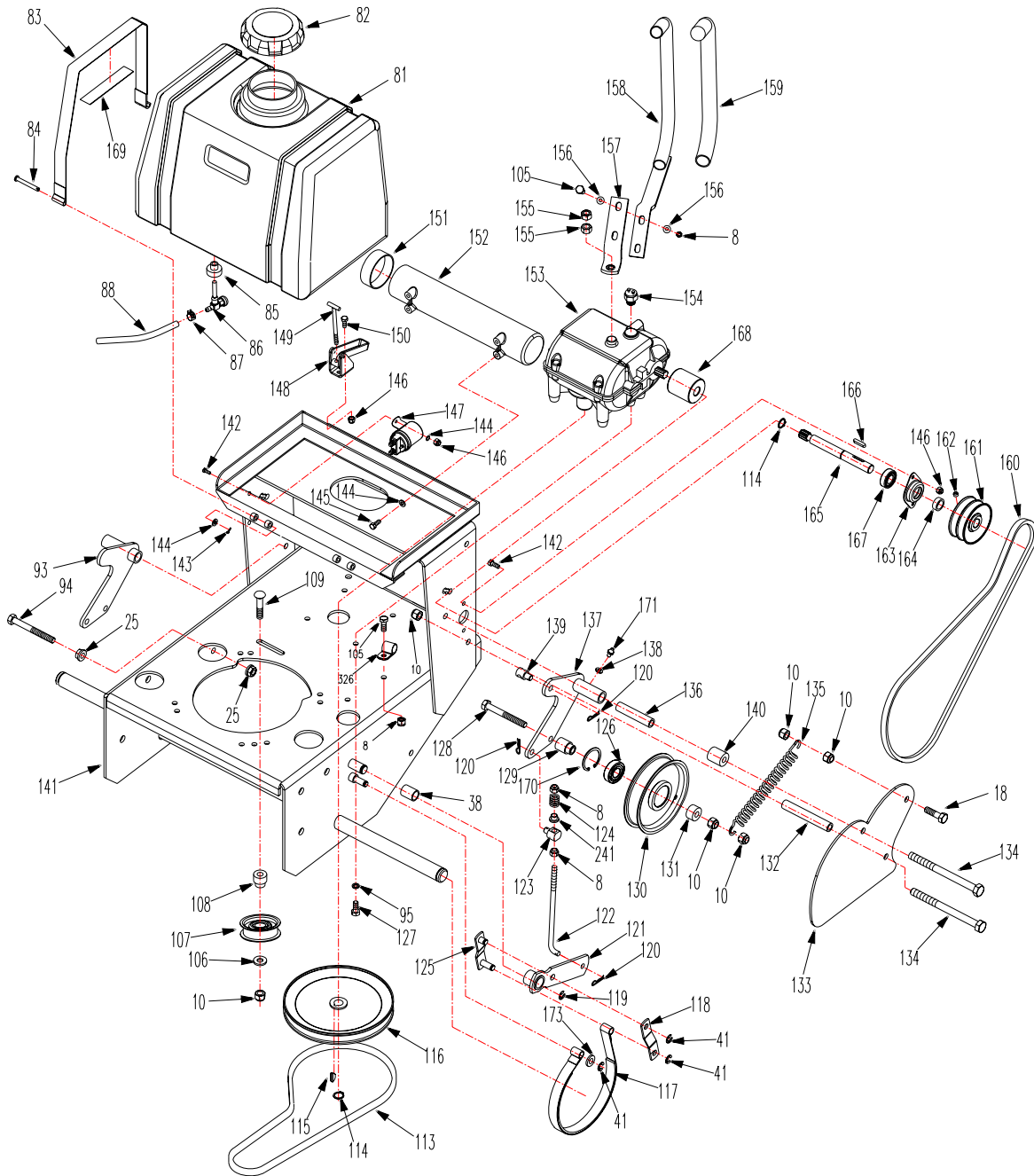
B2685-162025 Bearing16×20×25

REF.	PART NO.	DESCRIPTION	48	48E	42	42E
39	4201830	Tension Pulley Seat	×	×	×	×
40	B5783-1080	Bolt M10×80	×	×	×	×
41	B896-8	Snap Ring 8	×	×	×	×
42	B6187-12	Nut M12	×	×	×	×
44	4201011	Swing Bolt (Long)	×	×	×	×
45	4201840	Tension Fixed Seat (Right)	×	×	×	×
46	4200001A	Blade Drive Belt			×	×
	4800005A	Blade Drive Belt	×	×		
47	B97.1-20	Washer 20	×	×	×	×
48	4800007	Latch -LH	×	×	×	×
49	4801005	Rear Column, Height Adjustment	×	×	×	×
50	B879-826	Pin 8×26	×	×	×	×
51	3302190	Knob	×	×	×	×
52	4201100B	Mower Deck			×	×
52A	4801100B	Mower Deck	×	×		
53	B6171-20	Nut M20×1.5	×	×	×	×
54	5201048	Washer (2)	×	×	×	×
55	4201403	Blade Pulley			×	×
	4801403	Blade Pulley	×	×		
56	5201044	Safety Cover, Upper	×	×	×	×
57	B276-6205RS	Bearing 6205-2RS	×	×	×	×
58	5201049	Bushing	×	×	×	×
59	B5783-1035	Bolt M10×35	×	×	×	×
60	5201050	Spindle Housing	×	×	×	×
61	B893.2-52	Snap Ring 52	×	×	×	×
62	5201043	Safety Cover, Lower	×	×	×	×
63	B1096-B625	Key B6×25	×	×	×	×
64	4201405	Core Shaft	×	×	×	×
65	4201401	Blade			×	×
	4201401A	Mulching Blade (Accessory)			×	×
	4801401	Blade	×	×		
	4801401A	Mulching Blade (Accessory)	×	×		
66	5201042	Washer (1)	×	×	×	×
67	B5785-1660	Bolt M16×1.5×60	×	×	×	×
68	5201067	Spacer	×	×	×	×
69	4801027	Spring	×	×	×	×
70	3602014	Bushing			×	×
71	4201406	Blade Pulley			×	×
	4801405	Blade Pulley	×	×		
106	4808002	Washer	×	×	×	×
134	B5782-10125	Bolt M10×125			×	×
135	4806004	Tension Spring	×	×	×	×
156	B97.1-8	Washer 8	×	×	×	×



WORLDLAWN®

Engine Frame Assembly



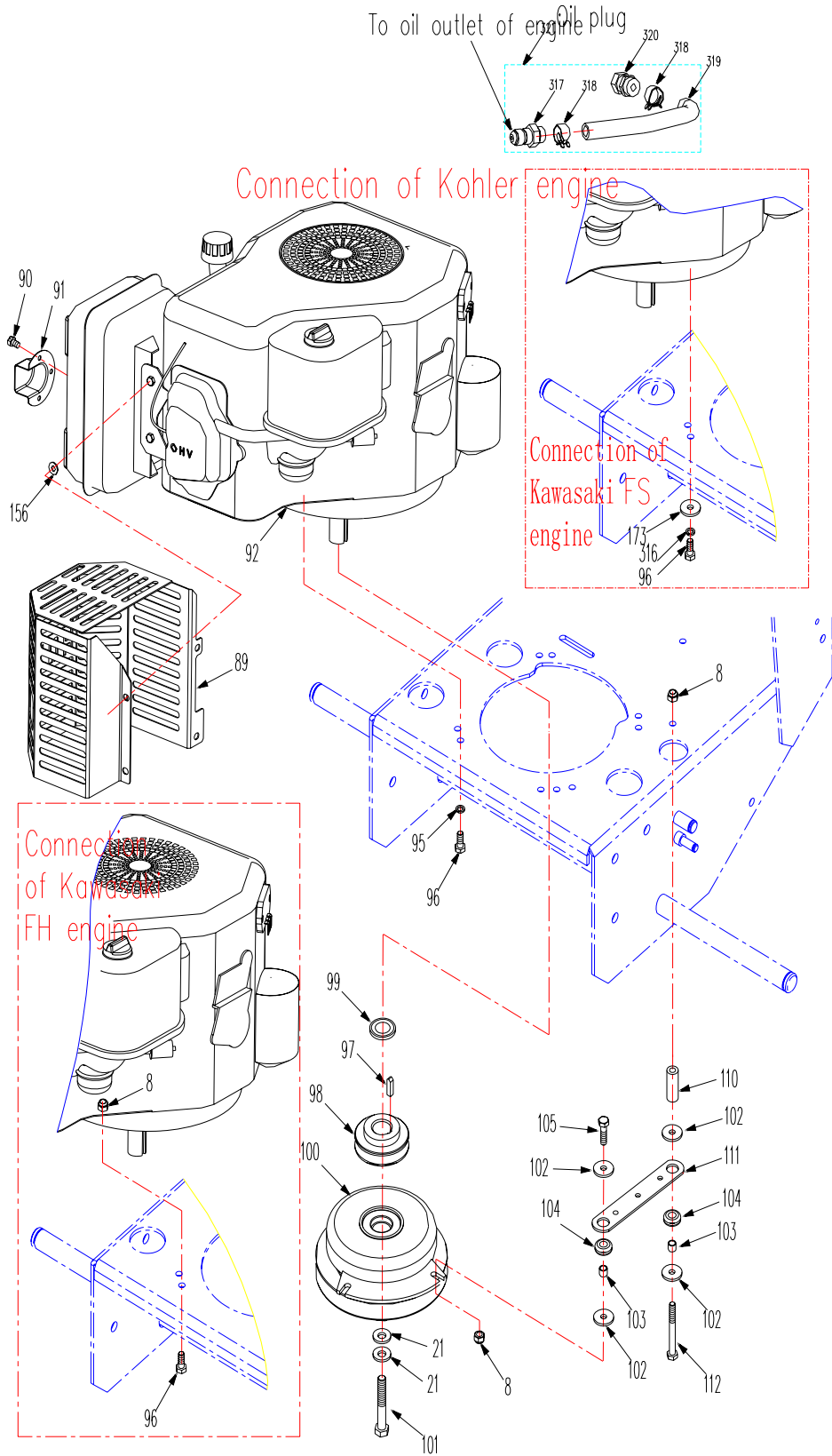


WORLDLAWN®

Engine Frame Assembly

REF.	PART NO.	DESCRIPTION	48	48E	42	42E	REF.	PART NO.	DESCRIPTION	48	48E	42	42E
8	B6182-8	Nut M8	×	×	×	×	133	4806005	Belt Guard Plate	×	×	×	×
10	B6182-10	Nut M10	×	×	×	×	134	B5782-10125	Bolt M10×125	×	×	×	×
18	B5783-1040	Bolt M10×40	×	×	×	×	135	4806004	Tension Spring	×	×	×	×
25	B6187.1-10	Nut M10	×	×	×	×	136	4806007	Column	×	×	×	×
38	B2685-162025	Bearing 16×20×25	×	×	×	×	137	4806500	Idler Pulley Bracket, LH	×	×	×	×
41	B896-8	Snap Ring 8	×	×	×	×	138	B861.1-6	Washer 6	×	×	×	×
81	4805001	Fuel Tank	×	×	×	×	139	4806003	Swivel Joint	×	×	×	×
82	4805005	Gas Cap	×	×	×	×	140	4806008	Cushion	×	×	×	×
83	4805010	Fuel Tank Mounting Strap	×	×	×	×	141	4802100	Engine Frame Weldment	×	×	×	×
84	4805003	Axis Pin	×	×	×	×	142	B5783-620	Bolt M6×20	×	×	×	×
85	3307023A	Fuel Tank Bushing	×	×	×	×	143	B91-210	Split Pin 2×10	×	×	×	×
86	3307024	Fuel Tank Shut-off	×	×	×	×	144	B97.1-6	Washer 6	×	×	×	×
87	3307025	Hose Clamp	×	×	×	×	145	B5285-6313F	Screw ST 6.3×13	×	×	×	×
88	4805004	Fuel Line	×	×	×	×	146	B6182-6	Nut M6	×	×	×	×
93	4806300	Idler Pulley Bracket, RH	×	×	×	×	147	4807104	Start-up Relay		×		×
94	B5782-1090	Bolt M10×90	×	×	×	×	148	4802710	Bracket (Rivet)	×	×	×	×
95	B93-8	Washer 8	×	×	×	×	149	4802720	Control Rod	×	×	×	×
105	B5783-830	Bolt M8×30	×	×	×	×	150	B5787-616	Hex Hd Bolt M6×16	×	×	×	×
106	4808002	Washer	×	×	×	×	151	2800052	Tool Kit Cap	×	×	×	×
107	2800034	Idler Pulley, Wheel Drive	×	×	×	×	152	2800051	Tool Kit	×	×	×	×
108	4808003	Bushing	×	×	×	×	153	4802500	Transmission (241-008)	×	×	×	×
109	B801-1050	Bolt M10×50	×	×	×	×	154	4807006	Transmission Switch	×	×	×	×
113	4800006	Transmission Drive Belt	×	×	×	×	155	4802010	Nut 3/8-24 UNF	×	×	×	×
114	B894.1-16	Spacer 16	×	×	×	×	156	B97.1-8	Washer 8	×	×	×	×
115	4802011	Key Woodruff	×	×	×	×	157	4802007	Gear Shift	×	×	×	×
116	4802300	Transmission Drive Pulley	×	×	×	×	158	4802400	Gear Shift Extension	×	×	×	×
117	4806430	Brake Band	×	×	×	×	159	4802004	Rubber Pad	×	×	×	×
118	4806401	Control Rod	×	×	×	×	160	4800004	Drive Belt	×	×	×	×
119	B896-12	Snap Ring 12	×	×	×	×	161	4802200A	Drive Pulley Assembly	×	×	×	×
120	4806002	Hair Pin	×	×	×	×	162	B80-86	Screw M8×6	×	×	×	×
121	4806410	Brake Arm	×	×	×	×	163	2800011	Spindle Housing	×	×	×	×
122	3603003	Brake Rod	×	×	×	×	164	4802006	Bushing	×	×	×	×
123	4806010	Swivel Joint	×	×	×	×	165	4802005	Shaft	×	×	×	×
124	2800017	Compression Spring	×	×	×	×	166	B1096-525	Key 5×25	×	×	×	×
125	4806420	Control Rod Weldment	×	×	×	×	167	99502H	Bearing 99502H-2RS	×	×	×	×
126	B276-6203RS	Bearing 6203-2RS	×	×	×	×	168	4802008	Spline Housing	×	×	×	×
127	4802012	Bolt 5/16-18×3/4	×	×	×	×	169	4805002	Rubber Strip	×	×	×	×
128	B5782-1085	Bolt 10×85	×	×	×	×	170	B893.1-40	Snap Ring 40	×	×	×	×
129	4806101	Bushing	×	×	×	×	171	B1152-6	Grease Fitting M6	×	×	×	×
130	5201012	Idler Pulley Assembly	×	×	×	×	173	B97.1-10	Washer 10	×	×	×	×
131	4806102	Cushion	×	×	×	×	241	2806010	Bushing	×	×	×	×
132	4806012	Tube	×	×	×	×	326	3601020	Wire Clamp (Kawasaki FS)	×	×	×	×

Power Assembly





WORLDLAWN®

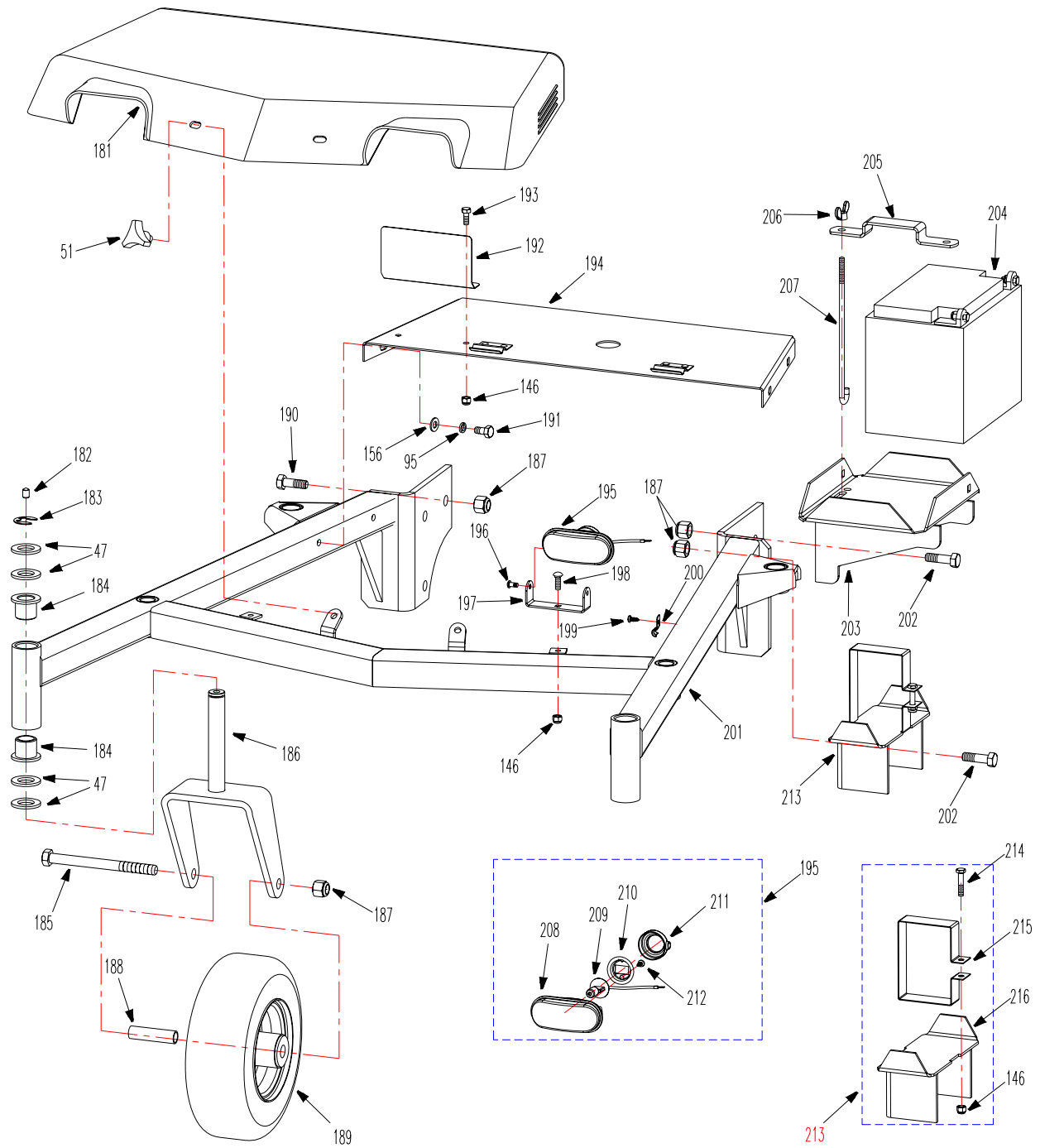
Power Assembly

REF.	PART NO.	DESCRIPTION	48	48E	42	42E	REF.	PART NO.	DESCRIPTION	48	48E	42	42E
8	B6182-8	Nut M8	×	×	×	×	96	B5783-825	Bolt M8×25 (Kohler)	×	×	×	×
21	5201061	Washer	×	×	×	×		B5783-840	Bolt M8×40	×	×	×	×
156	B97.1-8	Washer 8 (Kohler)	×	×	×	×			(Kawasaki FH)				
173	B97.1-10	Washer 10 (Kawa FS)	×	×	×	×		5203435	Bolt 3/8-16UNC×1-1/2	×	×	×	×
89	4804007	Safety Cover (Kohler)	×	×	×	×			(Kawasaki FS)				
90	B845-5513	Screw ST 5.5×13	×	×	×	×	97	4804002A	Key C6.35×20	×	×	×	×
		(Kohler)					98	4804003A	Pulley	×	×	×	×
91	4804008	Vent-pipe (Kohler)	×	×	×	×	99	5203403	Spacer	×	×	×	×
92	4204004	15HP CV15-Electric (Kohler)					100	4804005	Clutch	×	×	×	×
	4204004B	15HP FH430V-S22- Recoil			×		101	4804006	Bolt 7/16-20UNF×2-1/2	×	×	×	×
		(Kawasaki FH)					102	5203408	Washer	×	×	×	×
	4204004A	15HP FH430V-S20- Electric				×	103	5203409	Bushing	×	×	×	×
		(Kawasaki FH)					104	5203410	Rubber Ring 17	×	×	×	×
	4804004	18HP CV493-Electric (Kohler)		×			105	B5783-830	Bolt M8×30	×	×	×	×
	4804004B	17HP FH541-Recoil	×				110	4804001B	Bushing	×	×	×	×
		(Kawasaki FH)					111	5203411	Fixed Plate	×	×	×	×
	4804004A	17HP FH541-Electric		×			112	B5782-875	Bolt M8×75	×	×	×	×
		(Kawasaki FH)					317	5203421	Engine Connector	×	×	×	×
	4204021	16HP FH541-Electric				×			(Kawasaki FS)				
		(Kawasaki FS)					318	B8870-19	Hose Clamp 13-19	×	×	×	×
	4204022	16HP FH541- Recoil			×				(Kawasaki FS)				
		(Kawasaki FS)					319	4804024	Oil Outlet Rubber Tube	×	×	×	×
	4804021	18HP FH541- Electric		×					(Kawasaki FS)				
		(Kawasaki FS)					320	5203422	Connector	×	×	×	×
	4804022	18HP FH541- Recoil	×						(Kawasaki FS)				
		(Kawasaki FS)					325	4804023	Oil Outlet Rubber Tube	×	×	×	×
		(Kawasaki FS)							(Kawasaki FS)				
95	B93-8	Washer 8 (Kohler)	×	×	×	×							
316	B93-10	Washer 10	×	×	×	×							
		(Kawasaki FS)											



WORLDLAWN®

Mower Deck Frame





WORLDLAWN®

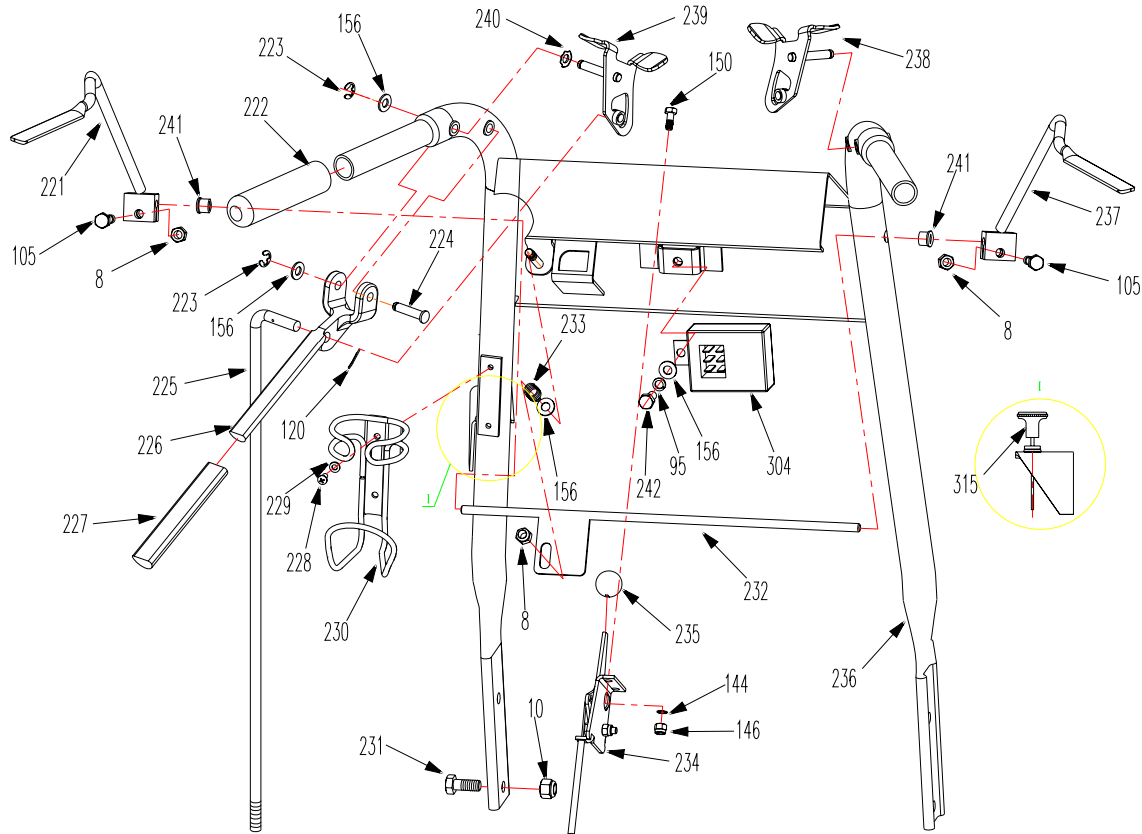
Mower Deck Frame

REF.	PART NO.	DESCRIPTION	48	48E	42	42E	REF.	PART NO.	DESCRIPTION	48	48E	42	42E
47	B97.1-20	Washer 20	×	×	×	×	196	B818-510	“+” Screw M5×10	×	×	×	×
51	3302190	Knob	×	×	×	×	197	4803402	Bracket	×	×	×	×
95	B93-8	Washer 8	×	×	×	×	198	B801-616	Bolt M6×16	×	×	×	×
146	B6182-6	Nut M6	×	×	×	×	199	B15856-4819	Screw ST 4.8×19	×	×	×	×
156	B97.1-8	Washer 8	×	×	×	×	200	XSZ56-1-18	Cable Clip	×	×	×	×
181	4800009	Belt Cover	×	×	×	×	201	4203300A	Mower Deck Frame			×	×
182	B1155-8	Grease Fitting 8	×	×	×	×		4803300A	Mower Deck Frame	×	×		
183	B896-15	Snap Ring 15	×	×	×	×	202	B5783-1235	Bolt M12×35	×	×	×	×
184	3301003	Bushing	×	×	×	×	203	4814100	Battery Bracket		×		×
185	B5782-12140	Bolt M12×140	×	×	×	×	204	5208002	12V Battery		×		×
186	4803200	Caster Wheel Yoke	×	×	×	×	205	5208202	Battery Strap		×		×
187	B6182-12	Nut M12	×	×	×	×	206	B62-6	Butterfly Nut M6		×		×
188	4803001	Bushing	×	×	×	×	207	5208203	Hook Rod		×		×
189	4803100	Caster Wheel Assembly	×	×	×	×	208	4803401-1	Lamp Globe	×	×	×	×
190	B5783-1230	Bolt M12×30	×	×	×	×	209	4803401-2	Light Bulb	×	×	×	×
191	B5783-816	Bolt M8×16	×	×	×	×	210	4803401-3	Light Socket	×	×	×	×
192	4800020	Heat Insulation Plate (Kohler)	×	×	×	×	211	4803401-4	Spacer	×	×	×	×
193	B5783-616	Bolt M6×16	×	×	×	×	212	B845-226	Screw ST 2.2×6	×	×	×	×
194	4212000	Safety Board			×	×	213	4814120	Battery cell	×		×	
	4812000	Safety Board	×	×			214	B5783-630	Bolt M6×30	×		×	
195	4803401	Light (Hy-031)	×	×	×	×	215	4814121	Strap	×		×	
							216	4814130	Battery Cell Fixed Seat	×		×	



WORLDLAWN®

Handle Bar And Console



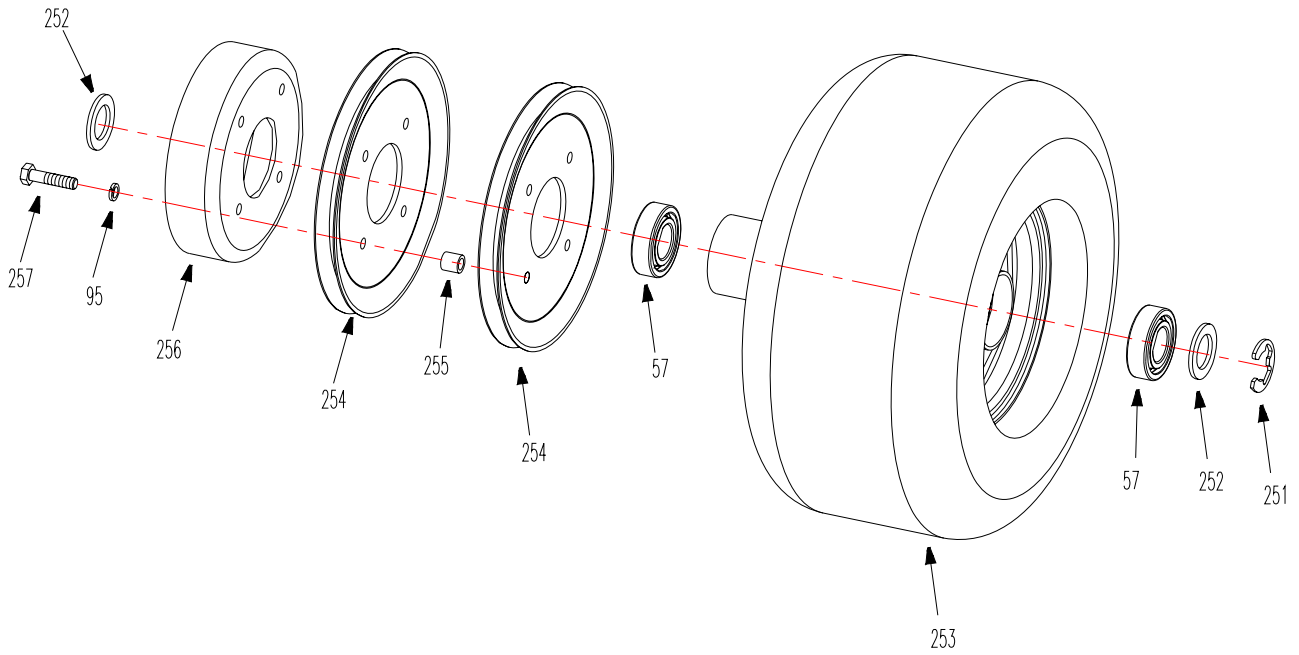
REF.	PART NO.	DESCRIPTION	48	48E	42	42E
8	B6182-8	Nut M8	x	x	x	x
10	B6182-10	Nut M10	x	x	x	x
95	B93-8	Washer 8		x		x
105	B5783-830	Bolt M8x30	x	x	x	x
120	4806002	Hair Pin	x	x	x	x
144	B97.1-6	Washer 6	x	x	x	x
146	B6182-6	Nut M6	x	x	x	x
150	B5787-616	Hex Hd Bolt M6x16	x	x	x	x
156	B97.1-8	Washer 8	x	x	x	x
221	4806710	Operator Presence Lever, LH	x	x	x	x
222	3306005	Handle Grip	x	x	x	x
223	B896-6	Snap Ring 6	x	x	x	x
224	4806011	Axis Pin	x	x	x	x
225	4806006	Brake Control Rod	x	x	x	x
226	4806009	Steering Lever, LH	x	x	x	x
227	4806014	Handle Grip	x	x	x	x
228	B67-510	Screw M5x10	x	x	x	x
229	B93-5	Washer 5	x	x	x	x
230			x	x	x	x

2806090 Cup Holder

REF.	PART NO.	DESCRIPTION	48	48E	42	42E
231	B5787-1030	Bolt M10x30	x	x	x	x
232	4806720	Control Rod	x	x	x	x
233	4806013	Compression Spring	x	x	x	x
234	3306004	Throttle Control Assembly (Kohler)	x	x	x	x
	3336019	Throttle Control Assembly (Kawa)	x	x	x	x
235	3306030	Knob	x	x	x	x
236	4806200	Handle Bar Assembly	x	x	x	x
	4806200A	Handle Bar Assembly (Kawa FS)	x	x	x	x
237	4806730	Operator Presence Lever, RH	x	x	x	x
238	4806810	Latch Bracket-RH	x	x	x	x
239	4806910	Latch Bracket-LH	x	x	x	x
240	B955-8	Wave Washer	x	x	x	x
241	2806010	Bushing	x	x	x	x
242	B5783-818	Bolt M8x18		x		x
304	4807103	Relay Set		x		x
315	4806020	Throttle Cable Assembly	x	x	x	x

(Kawasaki FS)

Drive Wheel Assembly



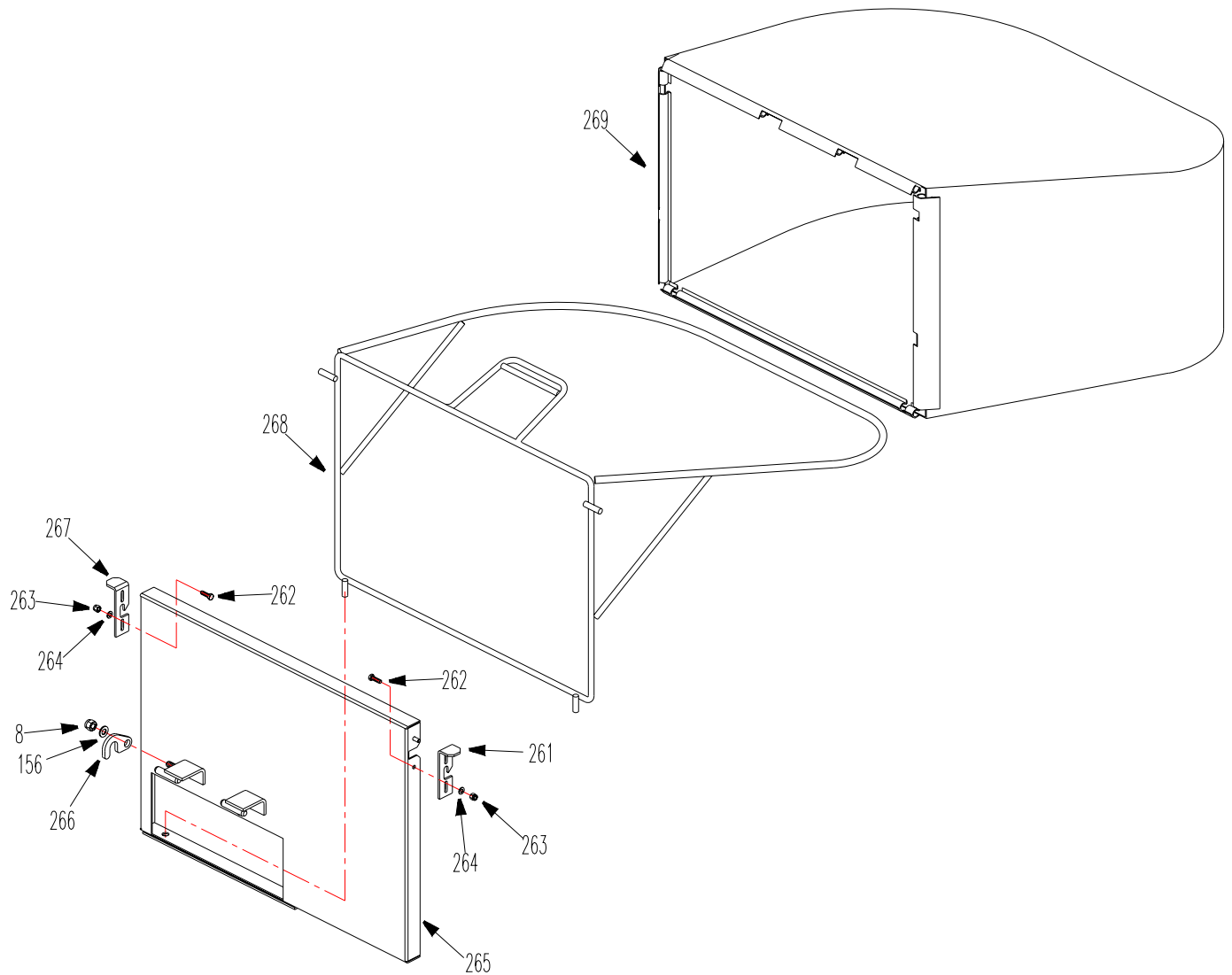
REF.	PART NO.	DESCRIPTION	48	48E	42	42E
57	B276-6205RS	Bearing 6205-2RS	×	×	×	×
95	B93-8	Washer 8	×	×	×	×
251	XSZ56-2-06	Snap Ring 19	×	×	×	×
252	4809001	Washer	×	×	×	×
253	4809100	Tire & Rim Assembly	×	×	×	×

REF.	PART NO.	DESCRIPTION	48	48E	42	42E
254	4809002	Belt Pulley	×	×	×	×
255	4809003	Bushing	×	×	×	×
256	4809004	Brake Drum	×	×	×	×
257	B5783-835	Bolt M8×35	×	×	×	×



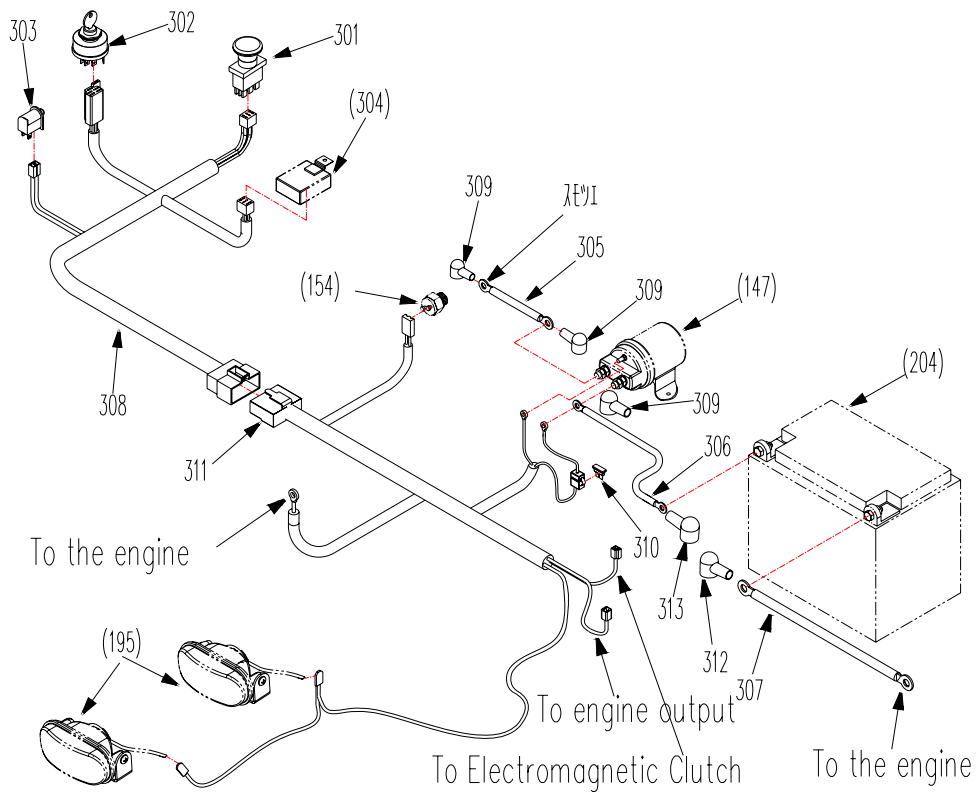
WORLDLAWN®

Grass Catcher Assembly(accessory)



REF.	PART NO.	DESCRIPTION	48	48E	42	42E
8	B6182-8	Nut M8	×	×	×	×
156	B97.1-8	Washer 8	×	×	×	×
261	2802202	Grass Catcher Latch, LH	×	×	×	×
262	B823-520	Screw M5×20	×	×	×	×
263	B6182-5	Nut M5	×	×	×	×
264	B97.1-5	Washer 5	×	×	×	×

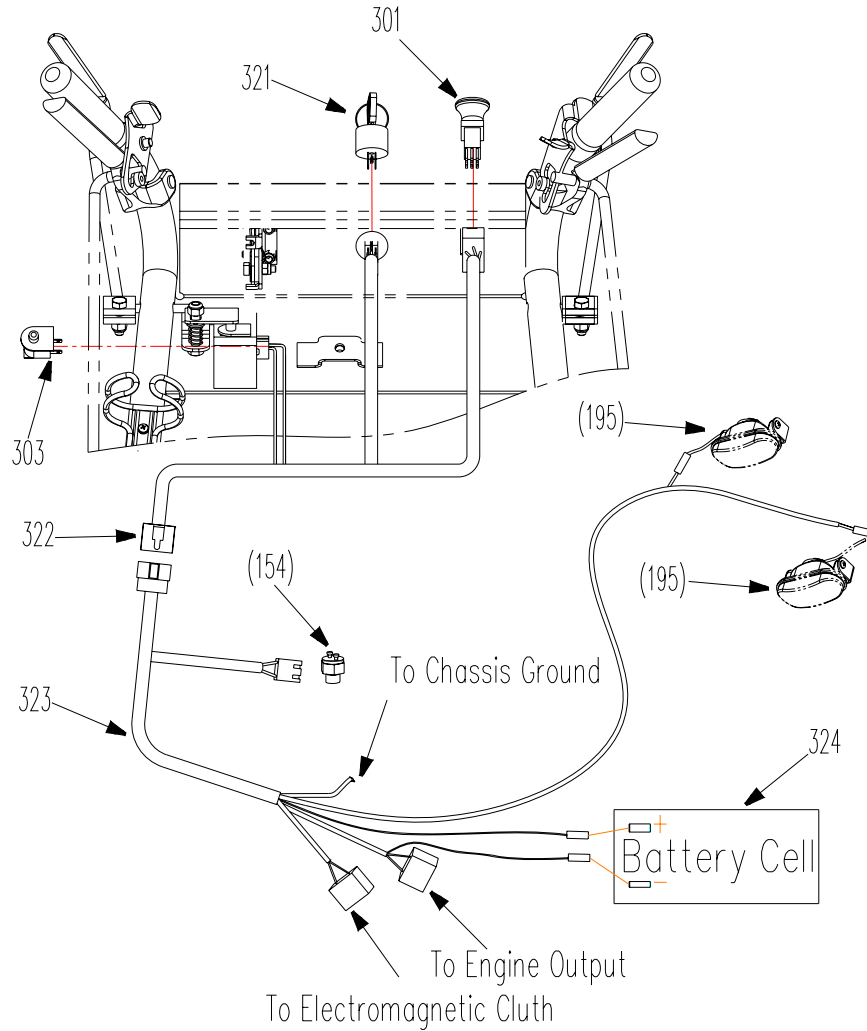
REF.	PART NO.	DESCRIPTION	48	48E	42	42E
265	4810110A	Grass Catcher Mount Weldment	×	×	×	×
266	4810101	Lock Catch	×	×	×	×
267	2802203	Grass Catcher Latch, RH	×	×	×	×
268	4810200	Grass Catcher Wire Frame	×	×	×	×
269	4810300A	Grass Catcher Bag	×	×	×	×



REF.	PART NO.	DESCRIPTION	48E	42E
147	4807104	Start-up Relay	×	×
154	4807006	Transmission Switch	×	×
195	4803401	Light (Hy-031)	×	×
204	5208002	12V Battery	×	×
301	4807005	Blade Switch	×	×
302	5208003	Ignition Switch (Electric)	×	×
303	2808001	Handle Switch	×	×
304	4807103	Relay Set	×	×
305	2808106	Motor Pole Cable	×	×
306	4807105	Positive Pole Cable (Battery)	×	×
307	4807106	Negative Pole Cable (Battery)	×	×
308	4807108	Wire Harness, Handle (42&48)	×	×
309	2808107	Cover	×	×
310	4807107	Fuse 30A	×	×
311	4807109	Wire Harness, Console (Kohler)	×	×
	4807112	Wire Harness, Console (Kawa 15HP)	×	×
	4807113	Wire Harness, Console (Kawa 17HP)	×	×
312	3312031	Cover (negative)	×	×
313	3312032	Cover (positive)	×	×



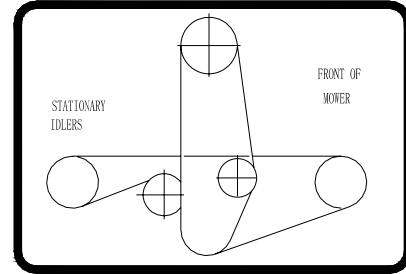
Recoil Start-up



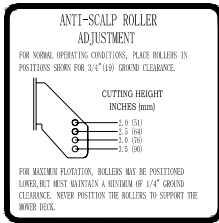
REF.	PART NO.	DESCRIPTION	48 (Kohler)	48(Kawa)	42 (Kohler)	42(Kawa)
154	4807006	Transmission Switch	×	×	×	×
195	4803401	Light (Hy-031)	×	×	×	×
301	4807005	Blade Switch	×	×	×	×
303	2808001	Handle Switch	×	×	×	×
321	2808019	Ignition Switch	×	×	×	×
322	4807027	Wire Harness, Handle	×	×	×	×
323	4807028	Wire Harness, Console (Kohler)	×		×	
	4807029	Wire Harness, Console (Kawasaki)		×		×
324	4807026	Battery Cell	×	×	×	×



331



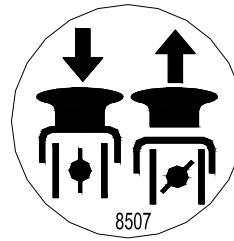
333



334



335



352



337



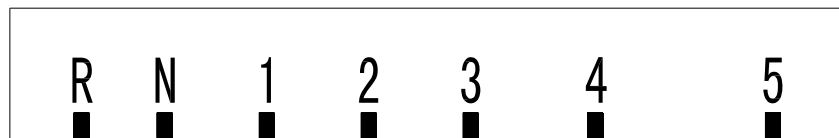
338



339



340



341

REF.	PART NO.	DESCRIPTION	48	48E	42	42E
331	8413	Decal, Danger	×	×	×	×
333	8419	Decal	×	×	×	×
334	8310	Decal	×	×	×	×
335	8045	Decal, Caution	×	×	×	×
352	8507	Decal, Throttle	×	×	×	×

REF.	PART NO.	DESCRIPTION	48	48E	42	42E
337	8403	Decal	×	×	×	×
338	8408	Decal	×	×	×	×
339	8304	Decal	×	×	×	×
340	8404	Decal	×	×		
341	8401	Decal	×	×	×	×



WORLDLAWN®

Safety/Operation and product Decals



WARNING
FALLING HAZARD
USE ONLY WORLDLAWN
APPROVED RIDING ATTACHMENTS


342

WORLDLAWN POWER EQUIPMENT, INC.

MODEL	SERIAL

MADE IN CHINA

343



CAUTION
Avoid injury from burns.
Shut off engine before
removing fuel tank cap.

344




345



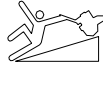
346



347

WARNING  OBJECTS MAY BE THROWN FROM MOWER

- Before mowing, clear lawn of all debris.

WARNING  MAXIMUM SAFE OPERATING ANGLE IS 15°


- Exceeding maximum safe operating angle may cause tipping or loss of footing.
- Do not mow on wet slopes.
- Mow across slopes, not up and down.

348

CUTTING HEIGHT
INCHES (mm)

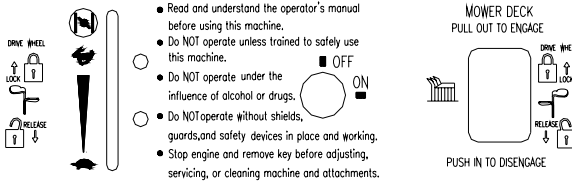
1.5 (38)
2.0 (51)
2.5 (64)
3.0 (76)
3.5 (90)
4.0 (102)
4.5 (114)

349


WARNING  Read and understand the operator's manual before using this machine.

- Do NOT operate unless trained to safely use this machine.
- Do NOT operate under the influence of alcohol or drugs.
- Do NOT operate without shields, guards, and safety devices in place and working.
- Stop engine and remove key before adjusting, servicing, or cleaning machine and attachments.

MOWER DECK
PULL OUT TO ENGAGE

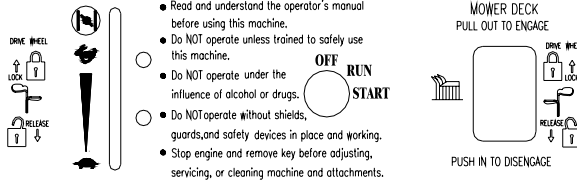


350

WARNING  Read and understand the operator's manual before using this machine.

- Do NOT operate unless trained to safely use this machine.
- Do NOT operate under the influence of alcohol or drugs.
- Do NOT operate without shields, guards, and safety devices in place and working.
- Stop engine and remove key before adjusting, servicing, or cleaning machine and attachments.

MOWER DECK
PULL OUT TO ENGAGE



351

REF.	PART NO.	DESCRIPTION	48	48E	42	42E
342	8410	Decal	x	x	x	x
343	8046	Decal, Model Plate	x	x	x	x
344	8402	Decal	x	x	x	x
345	8374	Decal 48	x	x		
346					x	x

8373 Decal 42

REF.	PART NO.	DESCRIPTION	48	48E	42	42E
347	8405	Decal 42			x	x
348	8411	Decal	x	x	x	x
349	8406	Decal	x	x	x	x
350	8409	Decal	x		x	
351				x		x

8418 Decal





WORLDLAWN®

Worldlawn Power Equipment, Inc.

422 Turnbull Canyon Road City of Industry CA 91744

Phone: (626) 934-8552

Fax: (626) 934-8162

E-mail: worldlawnmower@adelphia.net