

Parts Catalog



WORLDLAWN®

Commercial / Residential

33" Mower



Worldlawn Power Equipment, Inc.

Industrial Park 2415 Ashland Ave. Beatrice, NE 68310

Toll Free Number: 1-800-267-4255



Table of Contents

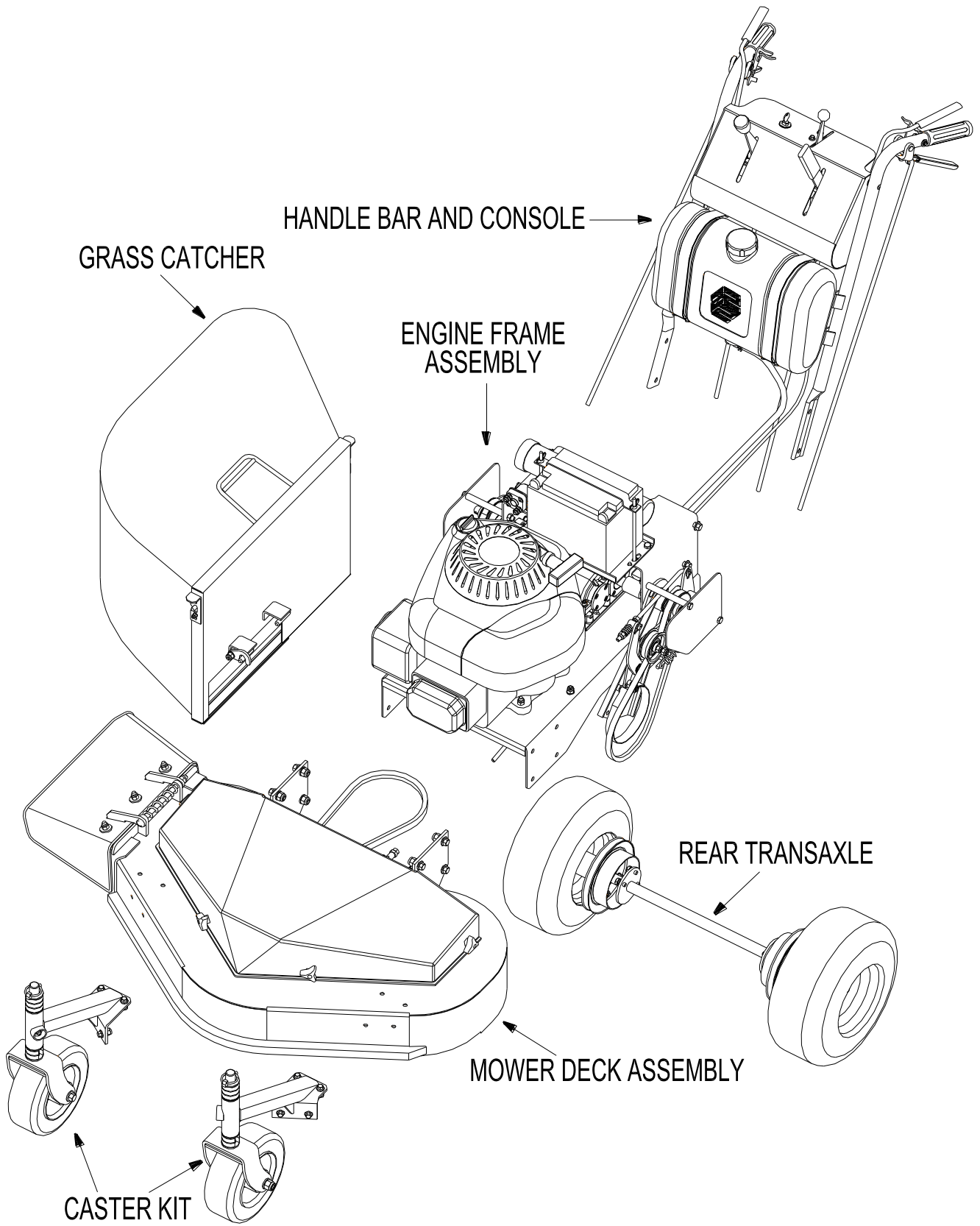
Table of Contents

Mower Assembly.....	1
Engine Frame Assembly	2
Mower Deck Assembly.....	3
Rear Frame Assembly.....	5
Transmission Assembly	7
Handle Bar and Console.....	9
Caster Kit.....	11
Transaxle.....	12
Electrical Start-Up Wiring Harness	13
Recoil Start-Up Wiring Harness.....	14
Safety/Operation and Product Decals	15
Grass Catcher.....	17



WORLDLAWN®

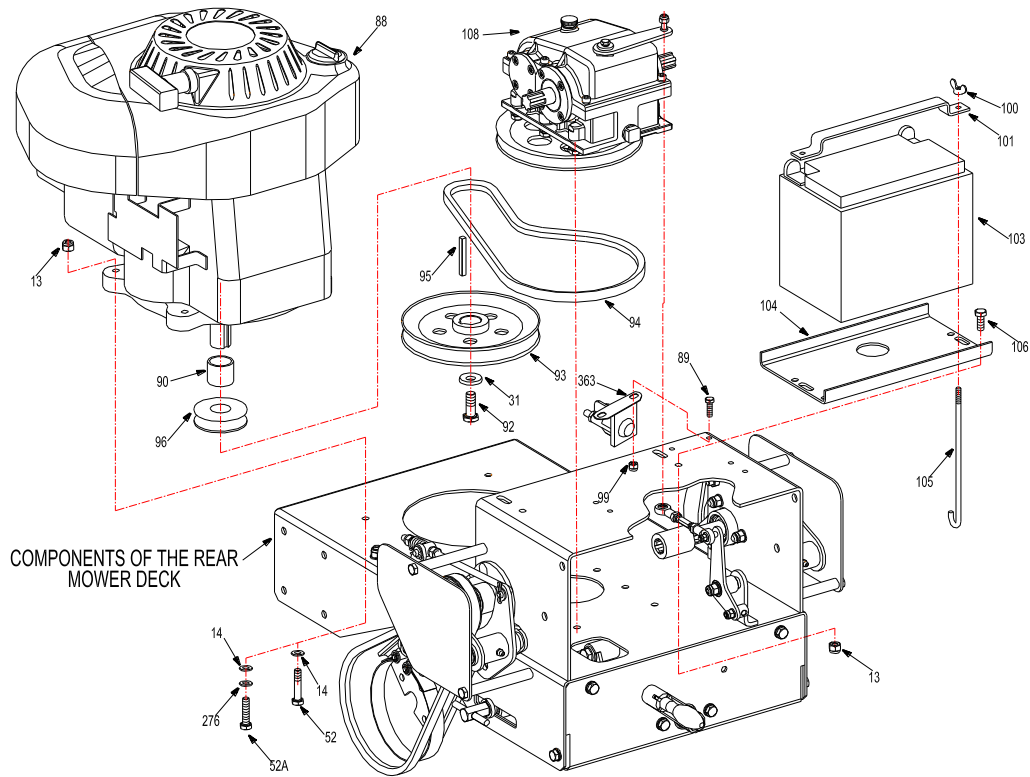
Mower Assembly





WORLDLAWN®

Engine Frame Assembly



Ref.#	Part#	Description	33N	33NE
13	B6182-8	Locknut M8	×	×
14	B97.1-8	Flat Washer M8	×	×
31	3302008	Disc Spring Washer	×	×
52	B5783-840	Hex Hd Bolt M8×40	×	×
52A	2200020A	JH Engine Bolt (Honda)	×	×
88	3300025	Engine(B&S10.5HP Intek I/C-R)	×	
	3300026	Engine(B&S 11. HP Intek I/C-E)		×
	3300027	Engine (B&S 13HP Intek I/C-R)	×	
	3300028	Engine (B&S 13HP Intek I/C-E)		×
	3300029	Engine B&S 13.5HP Intek I/C-E		×
	3300031	Engine(Kawasaki 13HP) FH381V-S22	×	
	3300032	Engine(Kawasaki 13HP) FH381V-S20		×
	3300035	Engine (Honda 11HP GXV340-R)	×	
	3300036	Engine (Honda 11HP GXV340-E)		×
	3300037	Engine (Honda 13HP GXV390-R)	×	
	3300038	Engine (Honda 13HP GXV390-E)		×

Ref.#	Part#	Description	33N	33NE
89	B5787-620	Hex Hd Bolt M6×20 (B&S,Kawasaki)		×
90	3307001	Spacer	×	×
92	3307005	Bolt 7/16-20UNF×1-1/4	×	×
93	3307003	Engine Drive Pulley	×	×
94	3300002	Transmission Drive Belt	×	×
95	3307002	Square Key	×	×
96	3307010	Transmission Drive Pulley	×	×
99	B6182-6	Locknut M6 (B&S, Kawasaki)		×
100	B62-6	Wing Nut M6		×
101	3302015	Battery Strap		×
103	5208002	Battery 12V 33AH		×
104	3338103	Battery Tray		×
105	5208203	Battery Clamp Bolt		×
106	B5783-820	Hex Hd Bolt M8×20		×
108	3334000	Transmission	×	×
276	B93-8	Split Lock Washer M8 (Honda)	×	×
363	5208043	Start-Up Relay (B&S, Kawasaki)		×



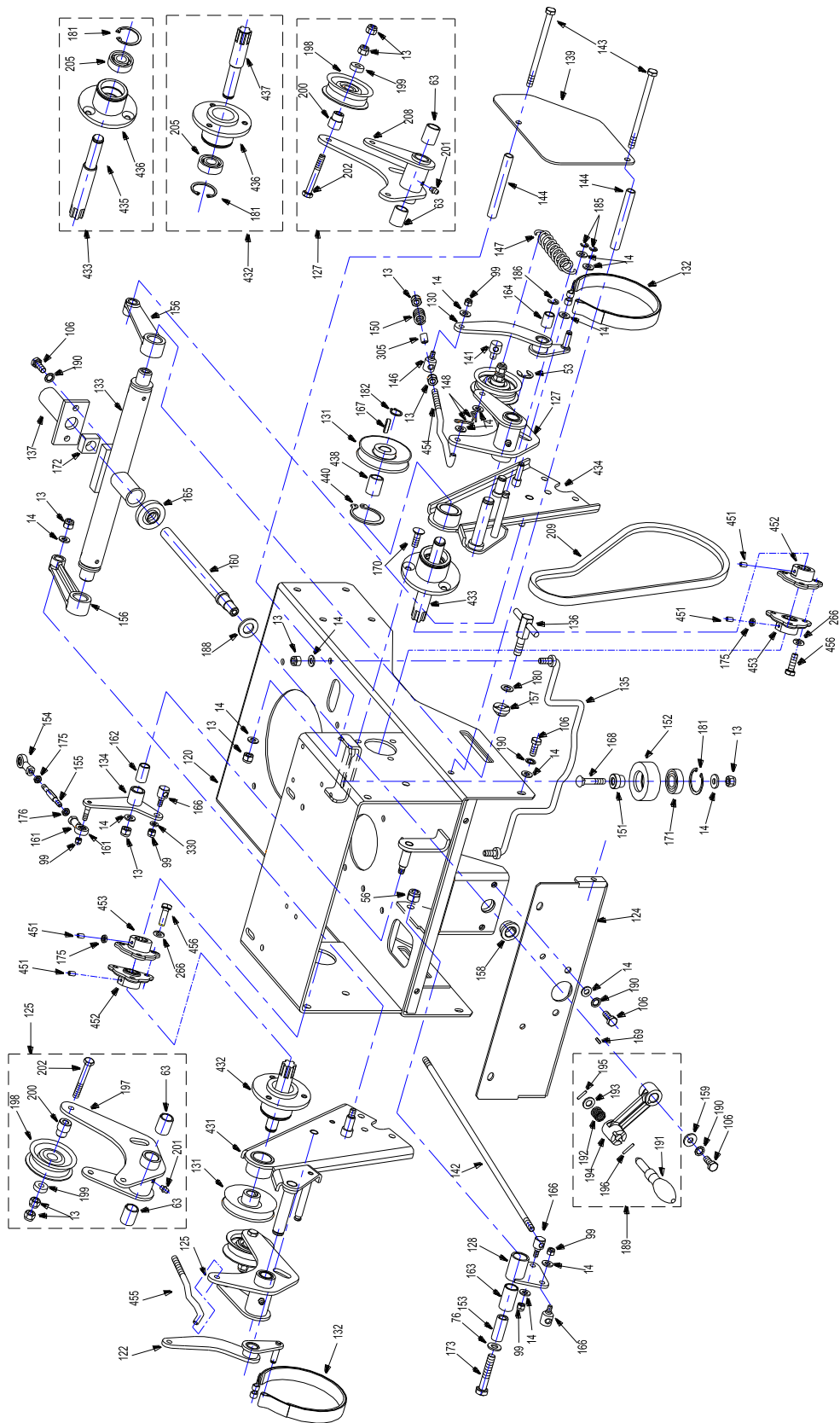
WORLDLAWN®

Mower Deck Assembly

Ref.#	Part#	Description	33N	33NE
1	B6182-12	Locknut M12	×	×
	B6182-8	Locknut M8	×	×
14	B97.1-8	Flat Washer M8	×	×
21	3332001A	Mower Deck	×	×
22	3332002A	Blade Brake Arm Assembly	×	×
23	3302003	Blade Brake Spring	×	×
24	4201006	Swing bolt M12×100	×	×
25	3302019	Torsion Spring	×	×
26	2802090N	Discharge Chute Assembly	×	×
27	2802008	Long Bolt M10-Discharge	×	×
28	3332030	Idler Pulley Assembly	×	×
29	3332080	Idler Pulley Fixed Seat	×	×
30	3302007	Blade	×	×
31	3302008	Disc Spring Washer	×	×
32	3302011	Center Blade Bolt M12	×	×
33	3302012	Center Spindle Assembly	×	×
34	3302190	3-Arm Knob	×	×
35	3302013	Outer Spindle Assembly	×	×
36	3302014	Outer Blade Bolt M12	×	×
37	3302015A	Belt Cover	×	×
38	3302016	Blade Pulley	×	×
39	3302009	Spacer	×	×
40	3302017	Blade Drive Belt	×	×
41	3302018	Bushing	×	×
42	3302010	Bushing	×	×
43	3302095	Washer M8	×	×
44	3332003	Hex Hd Bolt	×	×
45	3332004A	Swivel	×	×
46	3332005	Compression Spring	×	×
47	3332007	Bushing	×	×
48	SIBJK 8T	Rod End Bearing	×	×
49	3332009	Shift Arm	×	×
52	B5783-840	Hex Hd Bolt M8×40	×	×
53	B896-12	Snap Ring M12	×	×
54	B6170-8	Locknut M8	×	×

Ref.#	Part#	Description	33N	33NE
55	B6187.1-12	Nut M12	×	×
56	B6182-10	Locknut M10	×	×
57	B5787-1025	Hex Bolt M10×25	×	×
58	B97.1-10	Flat Washer M10	×	×
59	B5787-825	Hex Hd Bolt M8×25	×	×
62	3300001	Blade Drive Belt	×	×
63	B2685-162025	Oilite Bronze Bearing	×	×
66	B893.2-62	Snap Ring M62	×	×
67	B276-6305RS	Bearing 6305-2RS	×	×
68	3302085	Outer Blade Spindle	×	×
69	3302082	Spindle Housing	×	×
70	3302081	Blade Coupling	×	×
71	3302083	Center Blade Spindle	×	×
72	3332075	Idler Pulley Seat Weldment	×	×
73	3302056	Idler Pulley Weldment	×	×
74	B276-6303RS	Bearing 6303-2RS	×	×
75	B893.2-47	Snap Ring M47	×	×
76	3302058	Washer M10	×	×
77	3332055A	Blade Brake Arm	×	×
78	3332059	Belt Hook	×	×
79	B6182-5	Locknut M5	×	×
80	B97.1-5	Flat Washer M5	×	×
81	2802121	Brake Pad	×	×
82	B819-525	Screw M5×25	×	×
83	2802026	Bracket, Discharge Chute	×	×
84	B818-825	Screw M8×25	×	×
85	3303034	Washer M8	×	×
86	2802104	Discharge Chute	×	×
186	B896-8	Snap Ring M8	×	×
470	2802002	Drive Pulley Weldment	×	×
471	B1096-822	Key 8×22	×	×
472	3332090	Outer Spindle Assembly	×	×
473	3332091	Outer Blade Spindle	×	×
474	B5782-1020	Bolt M10 × 20	×	×
475	DIN985-10	Nut M10	×	×

Rear Frame Assembly





WORLDLAWN®

Rear Frame Assembly

Ref.#	Part#	Description	33N	33NE	Ref.#	Part#	Description	33N	33NE
13	B6182-8	Locknut M8	×	×	168	B12-840	Hex Hd Bolt M8×40	×	×
14	B97.1-8	Flat Washer M8	×	×	169	B1567-5310C	Key C5×3×10	×	×
53	B896-12	Snap Ring M12	×	×	170	B2673-825	(Internal Head) Screw M8×25	×	×
56	B6182-10	Locknut M10	×	×	171	B276-6003RS	Bearing 6003-2RS	×	×
76	3302058	Washer M10	×	×	172	B39-16	Quadrate Nut M16	×	×
63	B2685-162025	Oilite Bronze Bearing 16×20×25	×	×	173	B5782-1055	Hex Hd Bolt M10×55	×	×
99	B6182-6	Locknut M6	×	×	175	B6172-6	Locknut M6	×	×
106	B5783-820	Hex Hd Bolt M8×20	×	×	176	B6172-6L	Locknut M6, LH	×	×
120	3333001	Rear Frame Weldment	×	×	180	B861.2-10	Washer M10	×	×
122	3333003	Brake Arm-LH	×	×	181	B893.1-35	Snap Ring M35	×	×
124	3333007	Rear Shield	×	×	182	B894.1-16	Snap Ring M16	×	×
125	3333009	Idler Pulley Assembly-LH	×	×	185	B896-6	Snap Ring M6	×	×
127	3333016	Idler Pulley Assembly-RH	×	×	186	B896-8	Snap Ring M8	×	×
128	3333017	Shift Arm Weldment	×	×	188	B97.1-16	Flat Washer M16	×	×
130	3333070	Brake Arm-RH	×	×	189	3303016	Handle Assembly	×	×
131	2800010	Transmission Output Pulley	×	×	190	B861.1-8	Internal Tooth Lock Washer M8	×	×
132	3303002	Brake Band	×	×	191	3303123	Height Adjusting Handle Grip	×	×
133	3303012	Height Adjusting Pivot	×	×	192	3303124	Compression Spring	×	×
134	3303022	Shift Pivot Arm	×	×	193	3303125	Washer	×	×
135	3303046	Engine Pulley Belt Guide	×	×	194	3303126	Height Adjusting Handle	×	×
136	3303049	Height Adjusting Bolt Assembly	×	×	195	B879-316	Pin 3×16	×	×
137	3303050	Adjusting Screw Cover	×	×	196	B879-320	Pin M3×20	×	×
138	3333004	Brake Linkage	×	×	197	3333059	Idler Bracket Weldment -LH	×	×
139	3333005	Belt Cover	×	×	198	2800034	Idler Pulley Assembly	×	×
141	3333011	Swivel	×	×	199	3333057	Spacer	×	×
142	3333012	Blade Engagement Control Rod	×	×	200	3333058	Bushing	×	×
143	3333013	Long Screw M8	×	×	201	B1152-6	Grease Fitting M6	×	×
144	3333015	Steel Tube Spacer	×	×	202	B5782-860	Hex Hd Bolt M8×60	×	×
146	3333019	Swivel	×	×	205	99502H	Bearing 99502-2RS	×	×
147	3333068	Tension Spring	×	×	208	3333055	Idler Bracket Weldment -RH	×	×
148	XSZ56-1-17	Hair Pin	×	×	209	3300003	Wheel Drive Belt (KC A-34)	×	×
150	2800017	Compression Spring	×	×	266	B93-6	Split Lock Washer M6	×	×
151	2803010	Flange Bushing	×	×	305	2806010	Bushing	×	×
152	2803011	Drive Idler Pulley	×	×	330	B97.1-6	Flat Washer M6	×	×
153	2803016	Bushing	×	×	431	3333090	Axle Hanger-LH	×	×
154	3303008	Rod End Bearing M6	×	×	432	3333060	Output Shaft Assembly-LH	×	×
155	3303009	Shift Adjusting Screw	×	×	433	3333080	Output Shaft Assembly-RH	×	×
156	3303011	Height Adjusting Connecting Rod	×	×	434	3333100	Axle Hanger-RH	×	×
157	3303014	Sliding Block	×	×	435	3333078	Output Shaft-RH	×	×
158	3303017	Oilite Bronze Bushing	×	×	436	3333077	Spindle Housing	×	×
159	3303018	Washer	×	×	437	3333076	Output Shaft-LH	×	×
160	3303020	Height Adjusting Screw	×	×	438	3333075	Idler Sleeve	×	×
161	3303021	Rod End Bearing M6, Levo -LH	×	×	440	B894.1-45	Spacer M45	×	×
162	3303023	Bushing	×	×	451	B77-610	Screw M6×10	×	×
163	3303037	Bushing	×	×	452	2800061	Connect Plate (1)	×	×
164	3303141	Nylon Bushing	×	×	453	2800062	Connect Plate (2)	×	×
165	3303180	Dust Cover	×	×	454	3333112	Brake Lever-Right	×	×
166	3306015	Shift Connector	×	×	455	3333111	Brake Lever-Left	×	×
167	B1096-522	Square Key 5×22	×	×	456	B5783-616	Hex Hd Bolt M6×16	×	×



WORLDLAWN®

Transmission Assembly

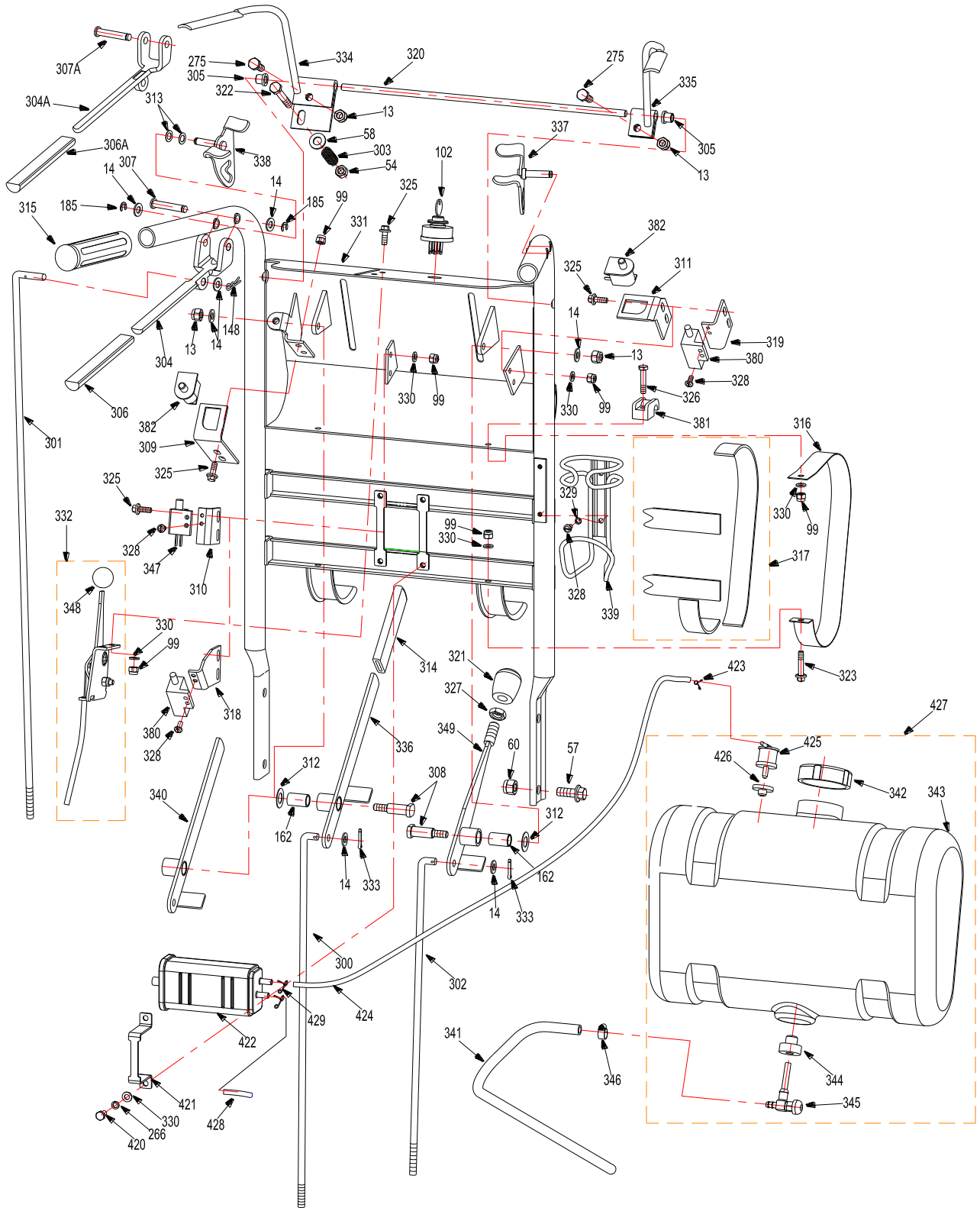
Ref.#	Part#	Description	33N	33NE
14	B97.1-8	Flat Washer M8	×	×
99	B6182-6	Locknut M6	×	×
190	B861.1-8	Internal Tooth Lock Washer M8	×	×
215	2804004	Transmission Case -Top	×	×
216	2804012	Roller	×	×
217	2804038	Detent Spring	×	×
218	3304001U	Transmission Case -Bottom	×	×
219	3304007	Oil Drain Plug	×	×
220	3304008	Fill /Breather Plug Spacer	×	×
221	3304009	Fill /Breather Plug	×	×
222	3304011	Input Shaft Seal Ring	×	×
223	3304012	Input Shaft Bearing Cover	×	×
224	3304014	Washer	×	×
225	3304015	Bearing Cover –Counter shaft	×	×
226	3304016	Seal Ring	×	×
227	3304019	Bearing Cover -Output	×	×
228	3304020	Seal Ring	×	×
229	3300106	Hex Hd Bolt 5/16-18×3/4	×	×
230	3300124	Screw 10-24×1/2	×	×
231	3300187	Screw 1/2-20×3/4	×	×
232	3300188	Screw 1/4-20×1-5/8	×	×
233	B1096-514	Square Key 5×14	×	×
234	B117-416	Roll Pin 4×16	×	×
235	B308-5/16	Detent Steel Ball 5/16"	×	×
237	B9877.1-173510	Oil Seal FB17×35×10B	×	×
238	B9877.1-204010	Oil Seal FB20×40×10B	×	×
239	3334001	Shift Arm	×	×
240	3304031U	Bevel Gear	×	

Ref.#	Part#	Description	33N	33NE
241	3304032	Spacer	×	×
242	B276-6203	Bearing 6203	×	×
243	B894.1-17	Snap Ring M17	×	×
244	3304013	Transmission Input Pulley	×	×
245	2804003	Shift Spacer	×	×
246	2804007	Medium Gear	×	×
247	2804008	Output Shaft	×	×
248	2804009	High-speed Gear	×	×
249	2804016	Sliding Key	×	×
250	2804017	Low Speed Gear	×	×
251	2804019	Shift Spacer	×	×
252	3304053	Washer	×	×
253	3304054	Spacer	×	×
254	B276-6204	Bearing 6204	×	×
255	2804001	Shift Spacer	×	×
256	2804002	Countershaft	×	×
257	2804005	Medium Gear	×	×
258	2804006	Low Speed Gear	×	×
259	2804020	High-speed Gear	×	×
260	3304041U	Taper Ring Gear	×	×
261	3304042	Spacer	×	×
263	B1096-516	Square Key 5×16mm	×	×
264	B276-6202	Bearing 6202	×	×
265	2804013	Shift Fork Weldment	×	×
266	B93-6	Split Lock Washer M6	×	×
267	3300198	Hex Hd Bolt 1/4-20×3/4	×	×
461	B3452.1-8.75×1.8	O-ring 8.75×1.8	×	×
462	AS28005	Transmission Assembly	×	×



WORLDLAWN®

Handle Bar and Console



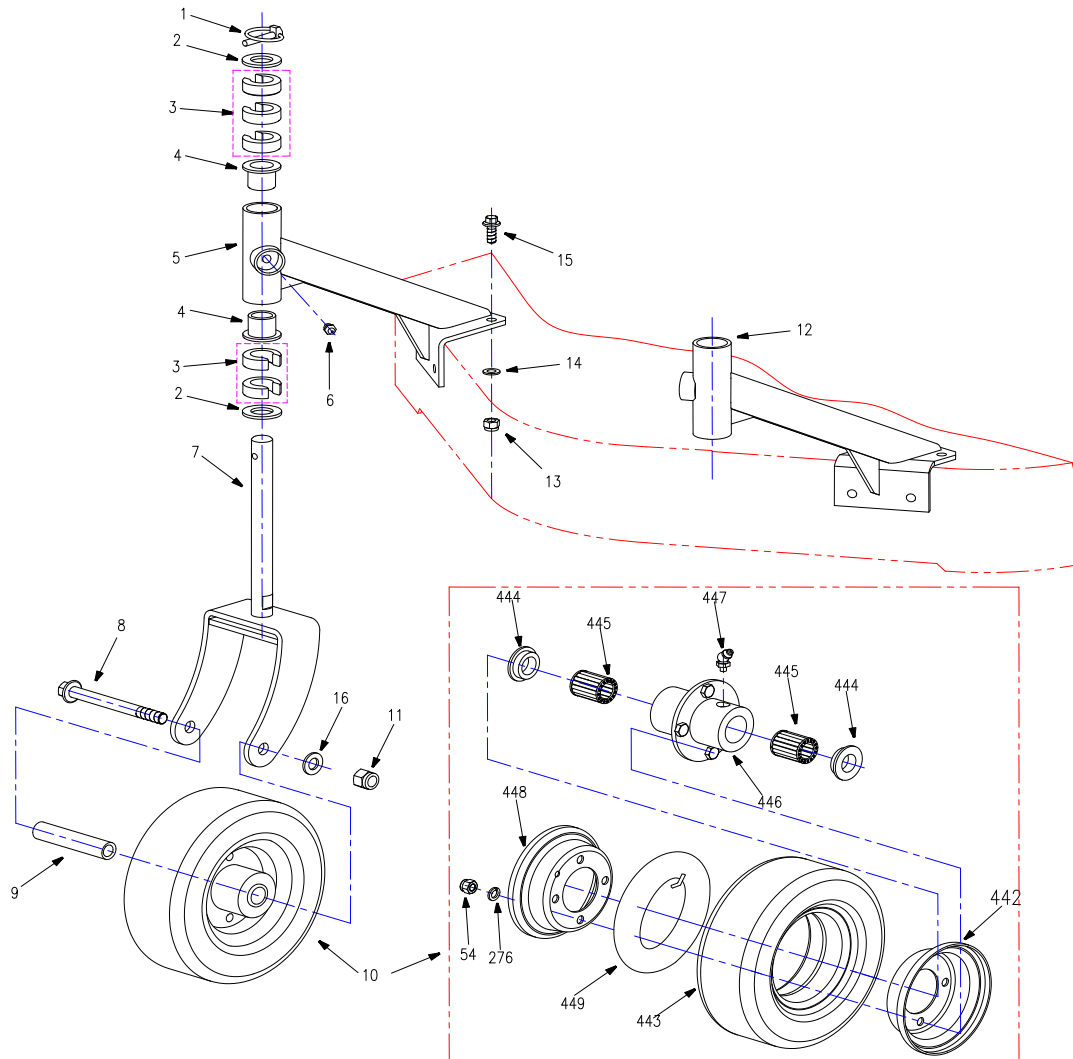


WORLDLAWN®

Handle Bar and Console

Ref.#	Part#	Description	33N	33NE	Ref.#	Part#	Description	33N	33NE
13	B6182-8	Locknut M8	×	×	326	B5787-630	Hex Hd Bolt M6×30	×	×
14	B97.1-8	Flat Washer M8	×	×	327	B6172-12	Nut M12	×	×
54	B6170-8	Locknut M8	×	×	328	B67-510	Screw M5×10	×	×
57	B5787-1025	Hex Bolt M10×25	×	×	329	B93-5	Washer 5	×	×
58	B97.1-10	Flat Washer M10	×	×	330	B97.1-6	Flat Washer M6	×	×
60	B6187-10	Locknut M10	×	×	331	3336004E	Handle Bar Weldment	×	×
99	B6182-6	Locknut M6	×	×	332	2806005	Throttle Control Assembly (B&S)	×	×
102	2808109	Ignition Switch		×		2806105	Throttle Control Assembly (Honda)	×	×
148	XSZ56-1-17	Hair Pin	×	×		3336019	Throttle Control Assembly (Kawasaki)	×	×
162	3303023	Bushing	×	×	333	B91-2520	Cotter Pin 2.5×20	×	×
185	B896-6	Snap Ring M6	×	×	334	2806003	Operator Presence Control-LH	×	×
266	B93-6	Split Lock Washer M6	×	×	335	2806007	Operator Presence Control-RH	×	×
275	B5783-825	Hex Hd Bolt M8×25	×	×	336	2806015	Mower Blade Drive Lever (33N)	×	
300	3336003	Blade Control Rod	×	×	337	2806070	Neutral latch-RH	×	×
301	3336005	Brake Control Rod	×	×	338	2806071	Neutral latch-LH	×	×
302	2806012	Shift Control Rod	×	×	339	2806090	Cup Holder	×	×
303	2806002	Compression Spring	×	×	340	2806084	Blade Drive Lever (33NE)		×
304	2806006	Steering Lever (Moulding)	×	×	341	2807005	Fuel Line (B&S, Kawasaki)	×	×
304A	2806020	Steering Lever (Weldment)	×	×		2807025	Fuel Line (Honda)	×	×
305	2806010	Bushing	×	×	342	3307032	Gas Cap	×	×
306	2806011	Handle Grip	×	×	343	3307031E	Fuel Tank	×	×
306A	2806097	Handle Grip	×	×	344	3307023B	Fuel Tank Grommet	×	×
307	2806017	Axis Pin	×	×	345	3307024	Fuel Line Shut-off	×	×
307A	2806096	Axis Pin*	×	×	346	B8870-16	Hose Clamp	×	×
308	2806055	Axis Pin	×	×	347	2808005	Blade Switch	×	
309	2806056	Electrical Switch Bracket	×	×	348	3306030	Knob (Throttle)	×	×
310	2806057	Blade Switch Bracket	×		349	2806095	Gear shift lever	×	×
311	2806058	Switch Bracket	×		380	5208015	Brake Switch		×
312	2806061	Disc Spring Washer	×	×	381	2808012	Hold Down Clamp	×	×
313	2806086	Disc Spring Washer	×	×	382	2808001	Operator Presence Control Switch	×	×
314	3306002	Handle Grip	×	×	420	B5783-612	Hex Hd Bolt M6×12	×	×
315	3306005	Handle Grip	×	×	421	3206112	Canister Bracket	×	×
316	3306017	Fuel Tank Mounting Strap	×	×	422	3206114	Carbon Canister	×	×
317	3306018	Rubber Strip	×	×	423	3307041	Clamp	×	×
318	2806087	Blade Switch Bracket		×	424	2807103	Fuel Line	×	×
319	2806085	Switch Bracket		×	425	2807101	Roll-over Valve Vent	×	×
320	2806042	Operator Presence Control Rod	×	×	426	2807102	Rubber Grommet	×	×
321	B4141.13-1240	Shift Knob, M12×40	×	×	427	AS28007	EPA Fuel Tank Assembly	×	×
322	B5782-855	Hex Hd Bolt M8×55	×	×	428	3206115	Fuel Line	×	×
323	B5783-630	Hex Hd Bolt M6×30	×	×	429	17242-1P68FS-0000	Hose Clamp	×	×
325	B5787-616	Hex Hd Bolt M6×16	×	×					

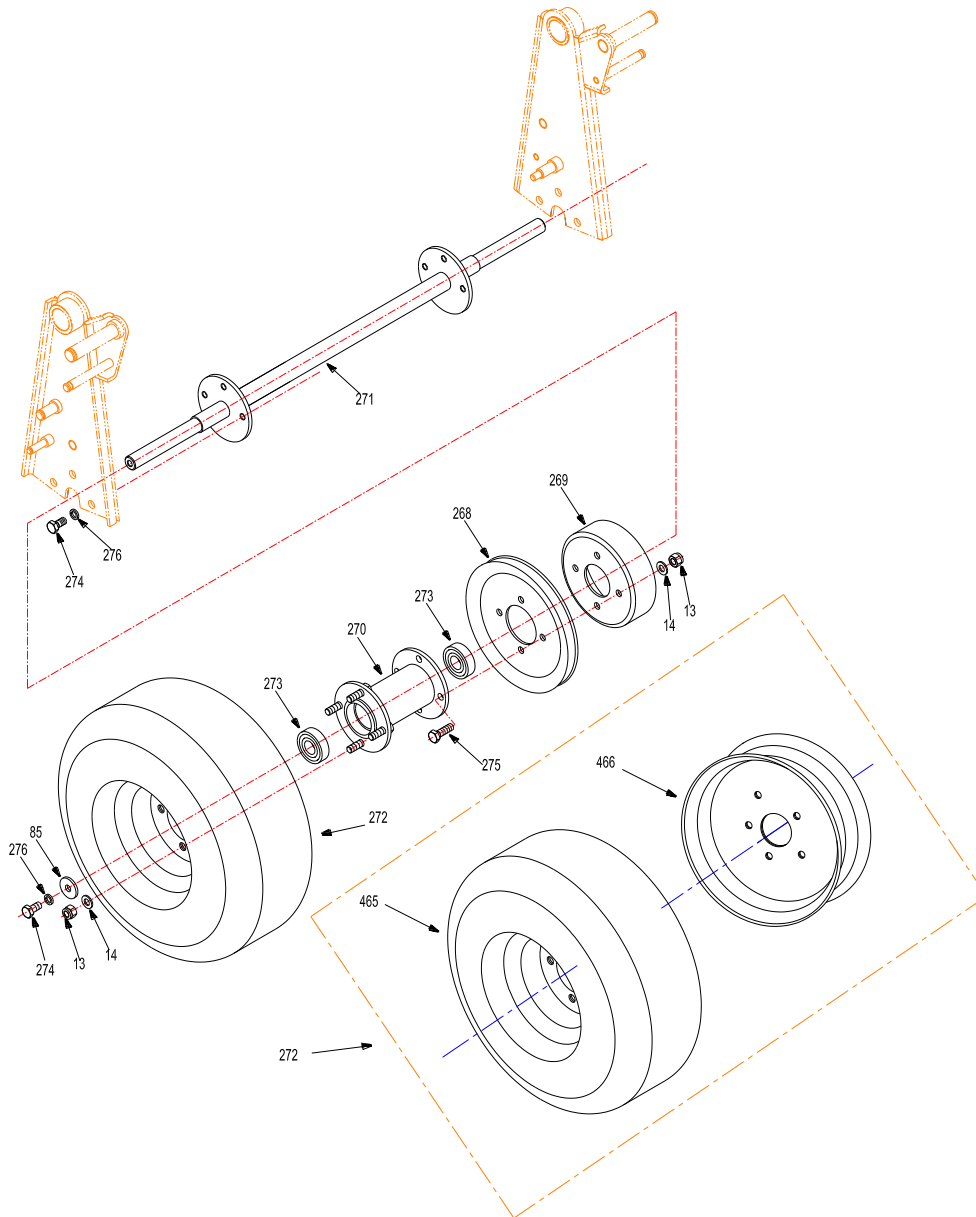
*Note: 304A and 306A are used with 307A.



Ref.#	Part#	Description	33N	33NE
1	3301010	Linchpin	×	×
2	B97.1-20	Washer M20	×	×
3	3301002	1/2" Spacer	×	×
4	3301003	Olite Bronze Bushing	×	×
5	3301030	Right Caster Wheel Arm	×	×
6	B1152-8	Grease Fitting M8×1	×	×
7	3301020	Caster Wheel Yoke	×	×
8	B5787-12120	Hex Hd Bolt M12×120	×	×
9	3301004	Axle Tube	×	×
10	3301050	Caster Wheel 8"×3"	×	×
11	B6182-12	Locknut M12	×	×
12	3301040	Left Caster Wheel Arm	×	×
13	B6182-8	Locknut M8	×	×

Ref.#	Part#	Description	33N	33NE
14	B97.1-8	Flat Washer M8	×	×
15	B5787-820	Hex Hd Bolt M8×20	×	×
16	B97.1-12	Washer M12	×	×
54	B6170-8	Locknut M8	×	×
276	B93-8	Split Lock Washer M8	×	×
442	3301051	Caster Left Rim	×	×
443	3301052	Caster Tire	×	×
444	3331008	Flange Bushing	×	×
445	3301053	Bearing	×	×
446	3301054	Wheel Hub Weldment	×	×
447	3301055	Grease Fitting 45 M6×1	×	×
448	3301056	Caster Right Rim	×	×
449	3301057	Inner Tube	×	×

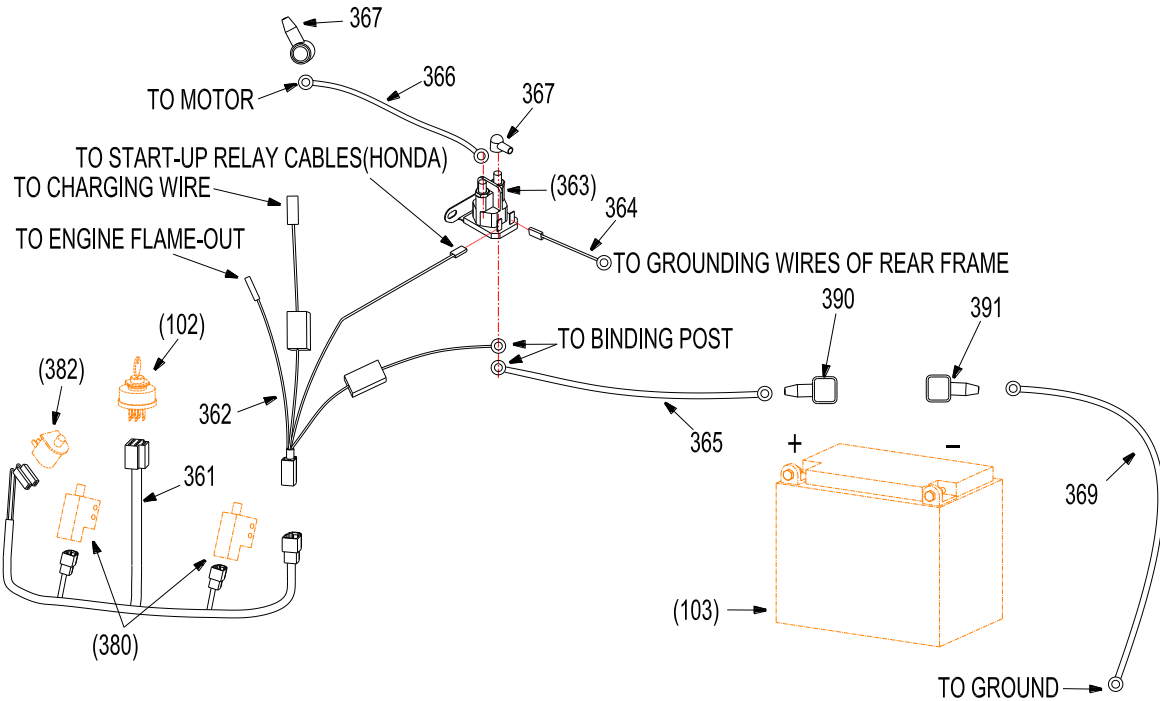
Transaxle



Ref.#	Part#	Description	33N	33NE
13	B6182-8	Locknut M8	×	×
14	B97.1-8	Flat Washer M8	×	×
85	3303034	Washer M8	×	×
268	3335003	Wheel Drive Pulley	×	×
269	3335004	Brake Drum	×	×
270	3335002	Wheel Hub Weldment	×	×
271	3335005	Axle Shaft Assembly	×	×

Ref.#	Part#	Description	33N	33NE
272	3305001	Drive Tire & Rim Assembly	×	×
273	B276-6203RS	Bearing 6203-2RS	×	×
274	B5783-816	Hex Hd Bolt M8×16	×	×
275	B5783-825	Hex Hd Bolt M8×25	×	×
276	B93-8	Split Lock Washer M8	×	×
465	3335030	Drive Wheel Tire	×	×
466	3335031	Drive Wheel Rim	×	×

Electrical Start-up Wiring Harness

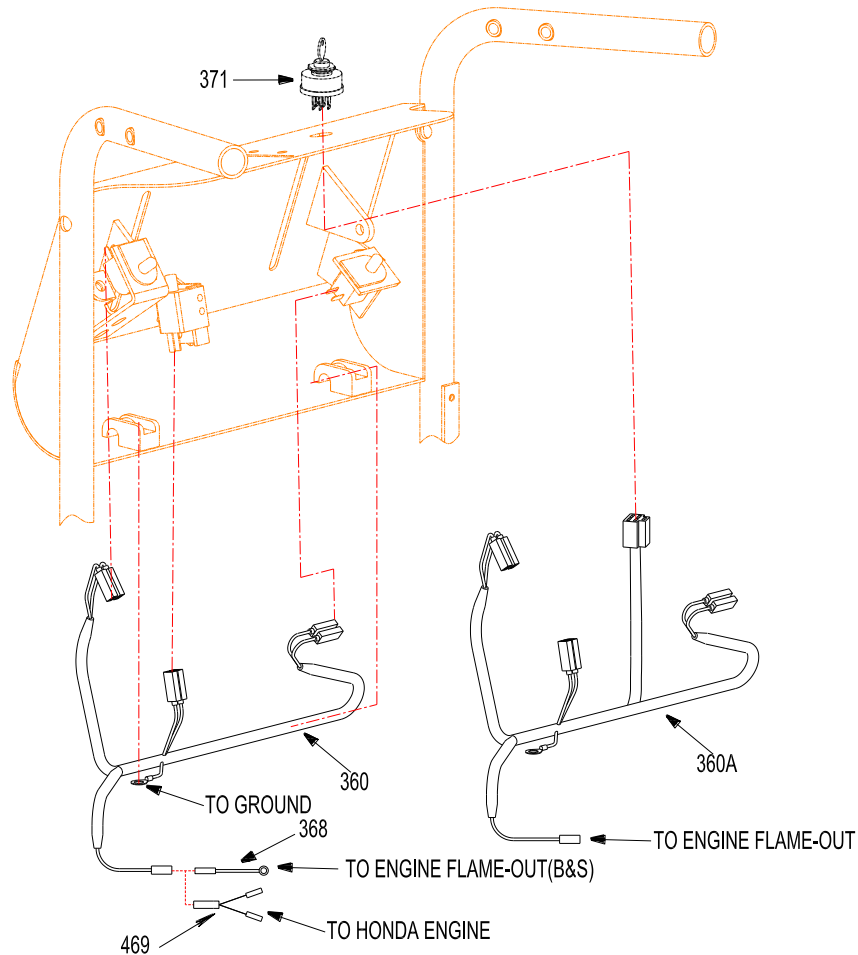


Ref.#	Part#	Description	33NE
102	2808109	Ignition Switch	×
	3338144	Ignition Switch(B&S13.5)	×
103	5208002	Battery 12V 33AH	×
361	2808118	Wire Harness, Handle	×
	3338142	Wire Harness, Handle (B&S 13.5)	
362	2808113	Wire Harness, Console (B&S)	×
	3208045	Wire Harness, Console (Kawasaki)	×
	2808135	Wire Harness, Console (Honda)	×
	3208055	Wire Harness, Console (B&S 13.5)	
363	5208043	Start-Up Relay (B&S, Kawasaki)	×
364	3208053	Ground Wire	×
365	2808103	Positive Cable (B&S, Kawasaki)	
	2808132	Positive Cable (Honda)	×
366	2808106	Power Wire (B&S)	×
	3338104	Power Wire (Kawasaki)	×
367	2808107	Terminal Insulator	×
369	2808110	Negative Cable (B&S, Honda)	×
	3338105	Negative Cable (Kawasaki)	×
380	5208015	Park Brake Switch	
382	2808001	Operator Presence Switch	×
390	3312032	Battery Boot (Positive)	×
391	3312031	Battery Boot (Negative)	×



WORLDLAWN®

Recoil Start-up Wiring Harness



Ref.#	Part#	Description	33N	33NE
360	2808010	Wiring Harness (B&S, Honda)	×	
360A	3338011	Recoil Start-up Wiring Harness (Kawasaki)	×	
368	2808014	Engine Flame out Wiring Harness (B&S)	×	
371	4807003	Key Switch (Kawasaki)	×	
469	2808015	Connector, Three way (Honda 13HP)	×	



WORLDLAWN®

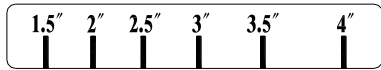
Safety/Operation and Product Decals



411



405



402



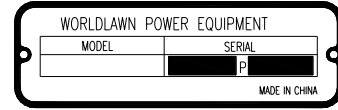
403



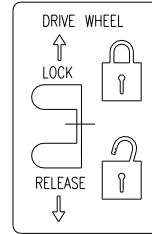
404



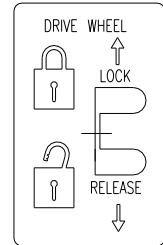
401



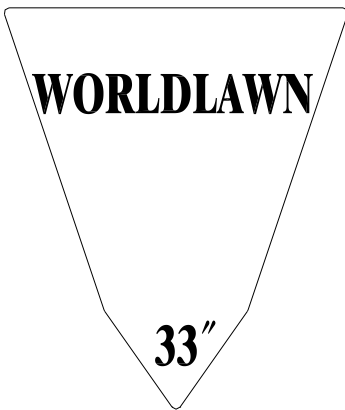
407



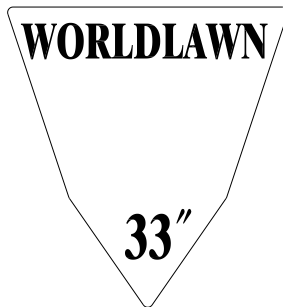
410



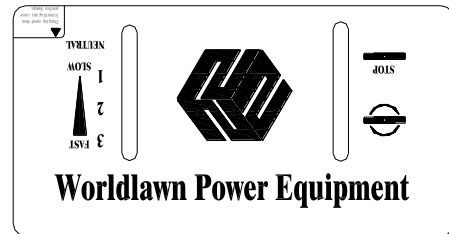
409



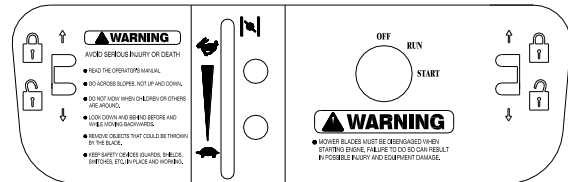
406



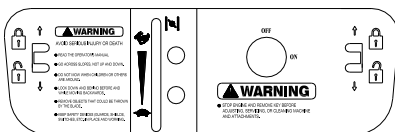
406A



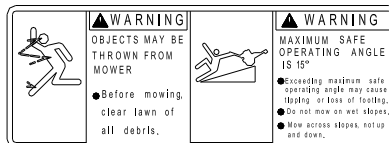
408



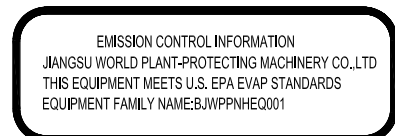
412



405A



413



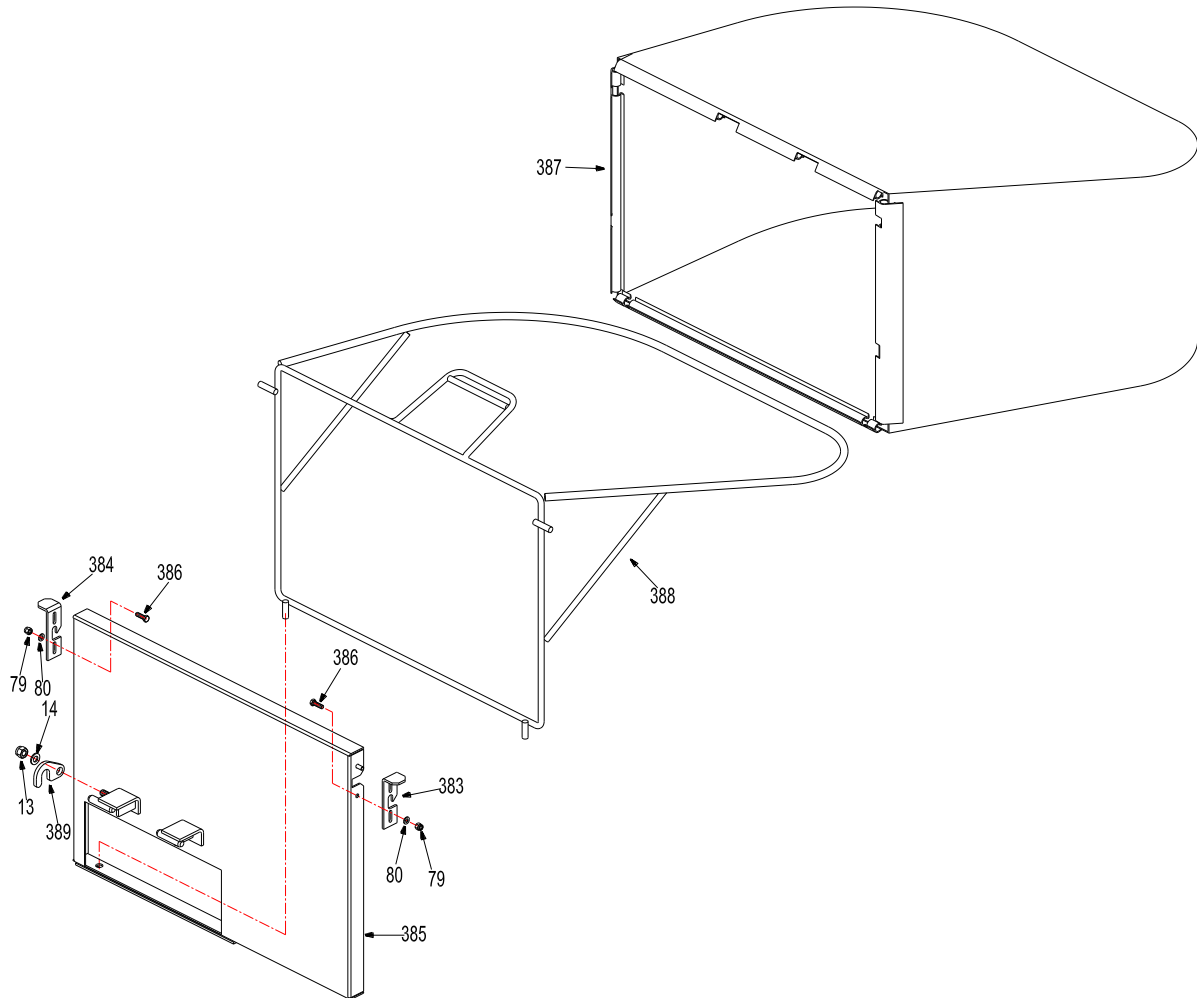
476



WORLDLAWN®

Safety/Operation and Product Decals

Ref.#	Part#	Description	33N	33NE
401	8008	Decal, Caution Guard	×	×
402	8013	Decal, Height Adjusting, LH	×	×
403	8014	Decal, Height Adjusting, RH	×	×
404	8015	Decal, Height Adjusting	×	×
405	8022	Decal, Throttle/Choke&Warning (B&S, Honda)	×	
405A	8044	Decal, Throttle/Choke&Warning (Kawasaki)	×	
406	8030	Decal, Worldlawn 33" (B&S)	×	×
406A	8043	Decal, Worldlawn 33" (Kawasaki, Honda)	×	×
407	8046	Serial Number Plate	×	×
408	8370	Decal, Speed Selector/Blade Control	×	×
409	8080	Decal, Drive Wheel-RH (Recoil)(B&S, Honda)	×	
410	8081	Decal, Drive Wheel-LH(Recoil)(B&S, Honda)	×	
411	8413	Decal, Danger Keep Clear	×	×
412	8903	Decal, Throttle/Choke&Warning (Electric)		×
413	8904	Decal, Warning Objects Thrown	×	×
476	8601	EPA Decal	×	×

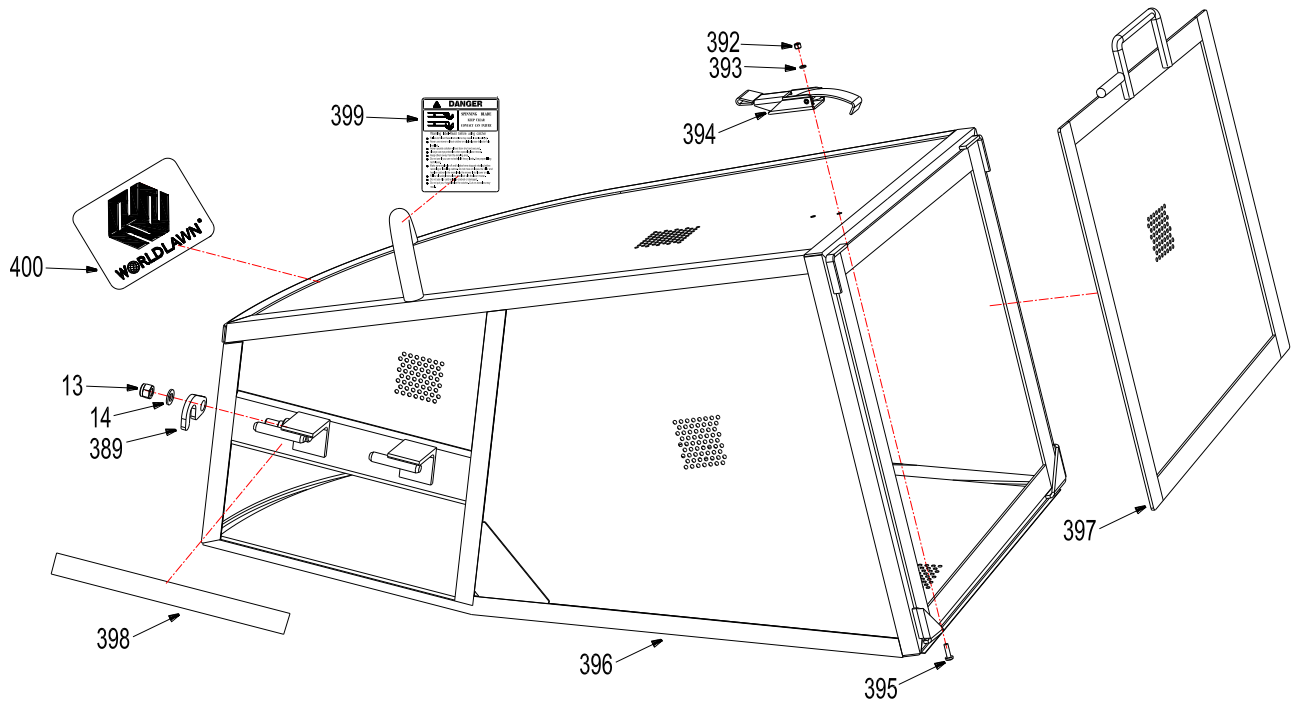


Ref.#	Part#	Description	33N	33NE
13	B6182-8	Locknut M8	×	×
14	B97.1-8	Flat Washer M8	×	×
79	B6182-5	Locknut M5	×	×
80	B97.1-5	Flat Washer M5	×	×
383	2802203	Right Grass Catcher Latch	×	×
384	2802202	Left Grass Catcher Latch	×	×
385	3332420	Grass Catcher Mount Weldment	×	×
386	B823-520	Hex Hd Bolt M5×20	×	×
387	2802230a	Grass Catcher Bag	×	×
388	2802220	Grass Catcher Wire Frame	×	×
389	3302202	Grass Catcher Latch	×	×



WORLDLAWN®

Grass Catcher



Ref.#	Part#	Description	33N	33NE
13	B6182-8	Locknut M8	×	×
14	B97.1-8	Flat Washer M8	×	×
389	3302202	Lock Latch	×	×
392	B6170-4	Nut M4	×	×
393	B93-4	Washer M4	×	×
394	3302203	Draw Latch Assembly	×	×
395	B818-412	Screw M4×12	×	×
396	3332510	Grass Catcher Weldment	×	×
397	3302204	Grass Catcher Access Door	×	×
398	3302205	Sealing Strip	×	×
399	8023	Decal, Danger	×	×
400	8375	Worldlawn Logo	×	×



WORLDLAWN®

Notes:



WORLDLAWN®

Worldlawn Power Equipment, Inc.

Industrial Park 2415 Ashland Ave. Beatrice, NE 68310

Phone: (402) 228-4255

Fax: (402) 223-4103

www.worldlawnpowerequip.com