

Parts Catalog



WORLDLAWN®

Commercial / Residential

33" Mower



Worldlawn Power Equipment, Inc.

422 Turnbull Canyon Road City of Industry CA 91744

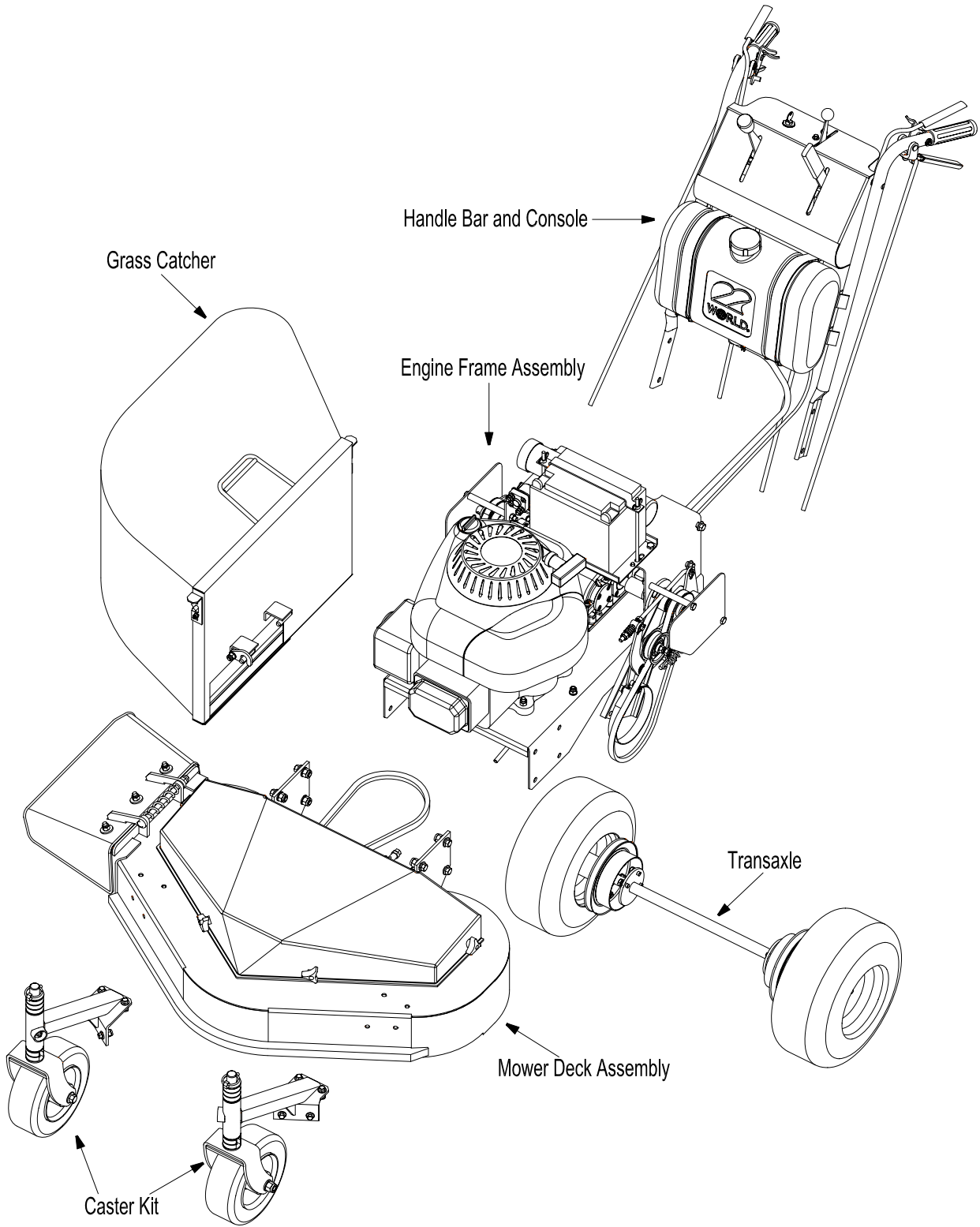
Toll Free Number: 1-866-9-Mowers (1-866-966-9377)

CONTENT

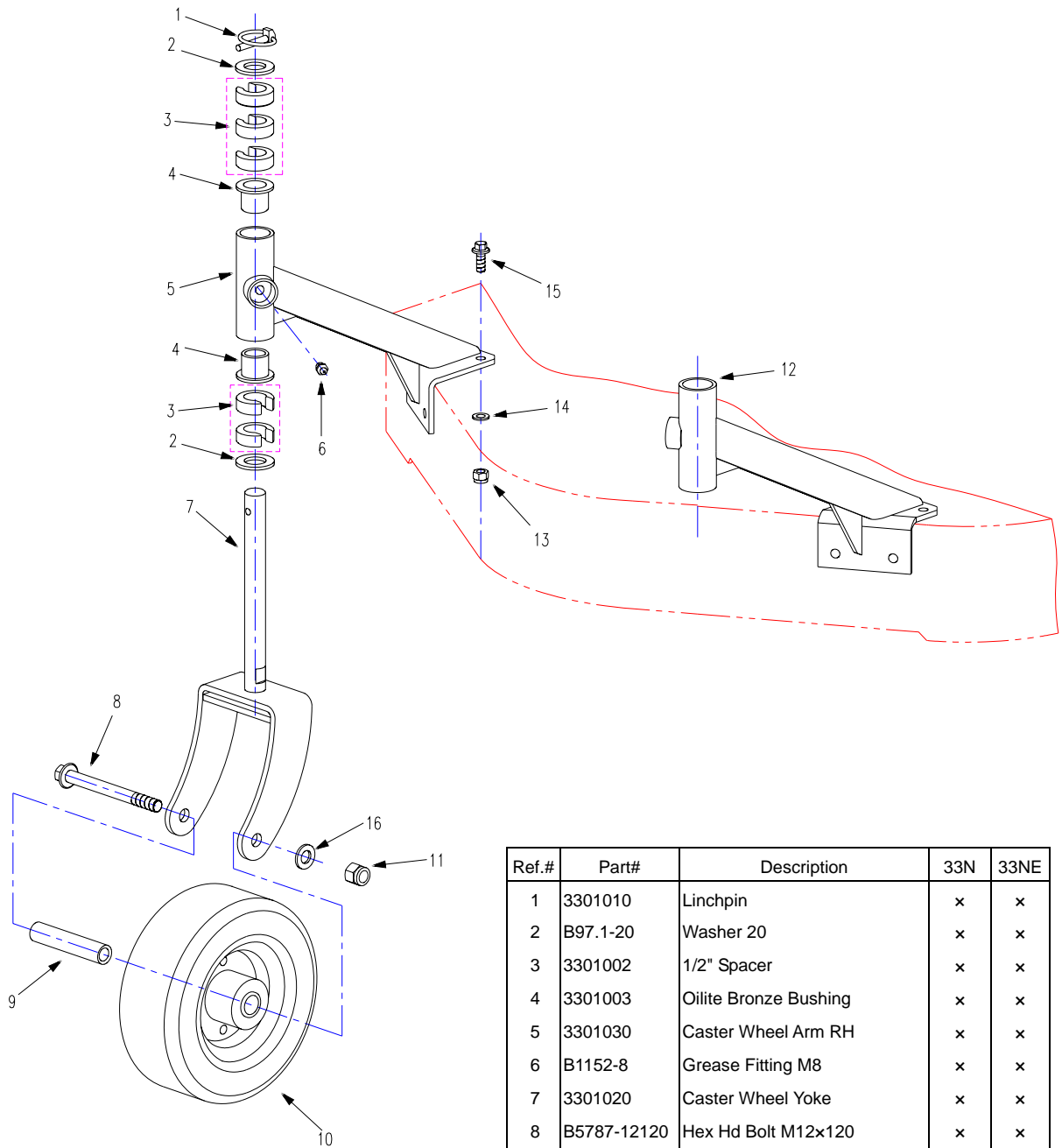
Mower Assembly.....	1
Caster Kit.....	2
Engine Frame Assembly	3
Mower Deck Assembly.....	4
Console Frame Assembly.....	6
Transmission Assembly	8
Handle Bar and Console.....	10
Transaxle.....	12
Electrical Start-Up Wiring Harness	13
Safety/Operation and Product Decals.....	14
Recoil Start-Up Wiring Harness	15
Grass Catcher.....	16



Mower Assembly

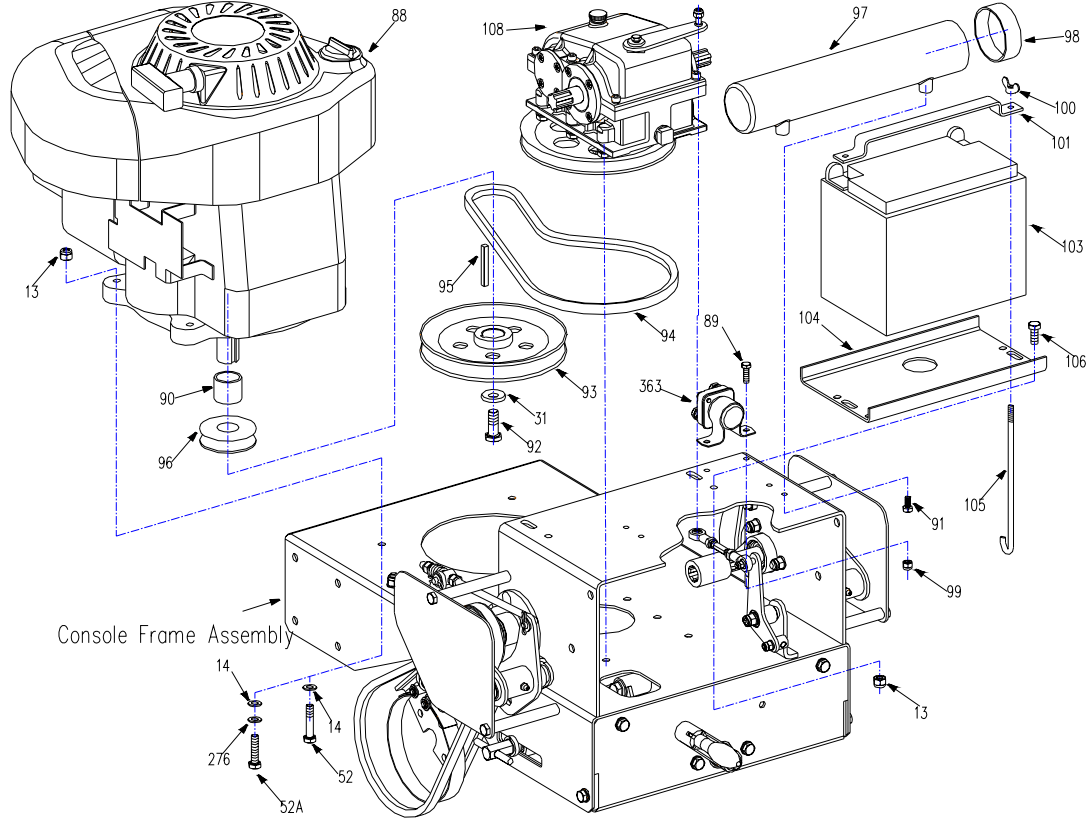


Caster Kit



Ref.#	Part#	Description	33N	33NE
1	3301010	Linchpin	x	x
2	B97.1-20	Washer 20	x	x
3	3301002	1/2" Spacer	x	x
4	3301003	Oilite Bronze Bushing	x	x
5	3301030	Caster Wheel Arm RH	x	x
6	B1152-8	Grease Fitting M8	x	x
7	3301020	Caster Wheel Yoke	x	x
8	B5787-12120	Hex Hd Bolt M12x120	x	x
9	3301004	Caster Wheel Spanner	x	x
10	3301050	Caster Wheel 8"x3"	x	x
11	B6182-12	Locknut M12	x	x
12	3301040	Caster Wheel Arm LH	x	x
13	B6182-8	Locknut M8	x	x
14	B97.1-8	Washer 8	x	x
15	B5787-820	Hex Hd Bolt M8x20	x	x
16	B97.1-12	Washer 12	x	x

Engine Frame Assembly



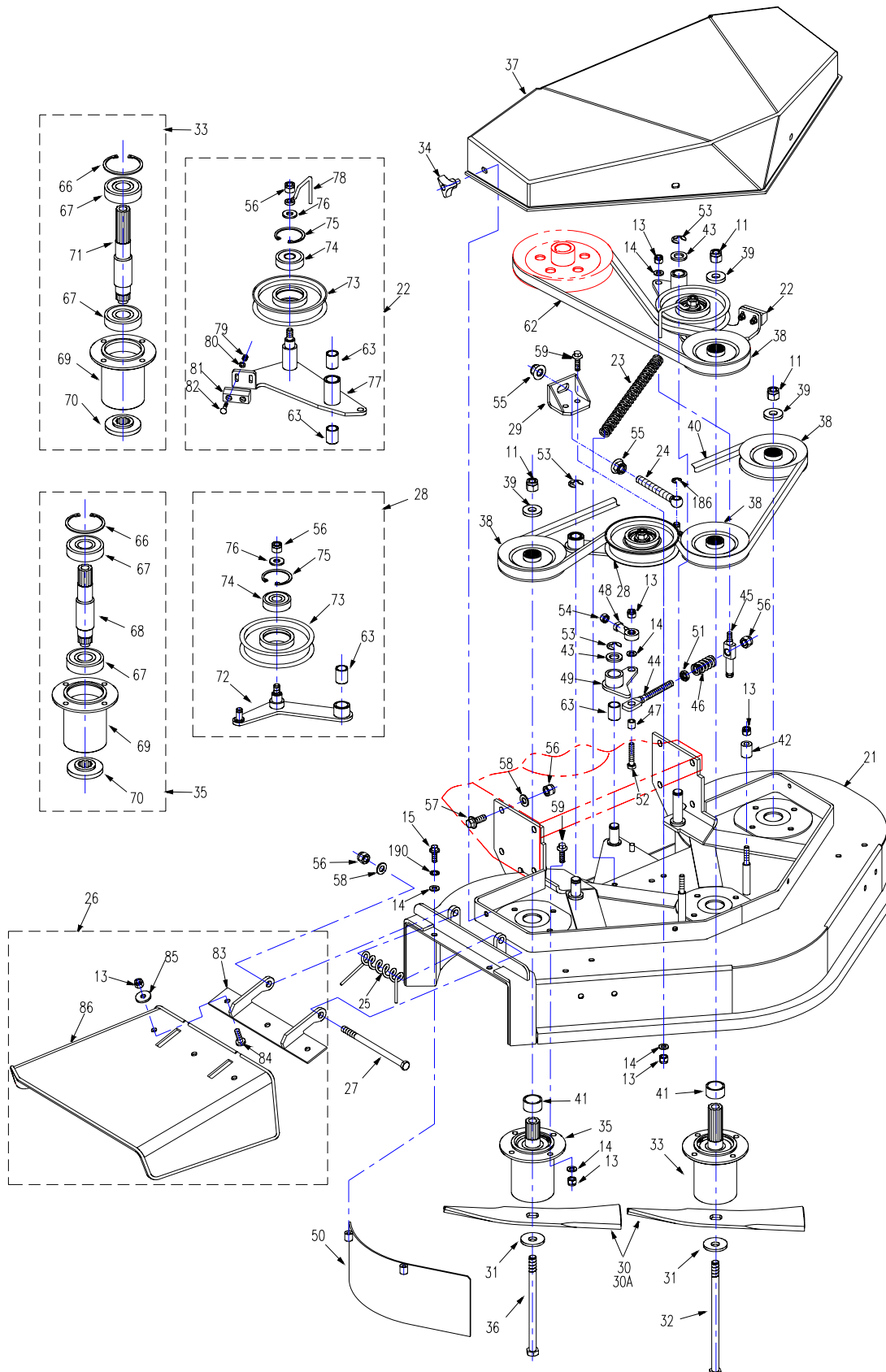
Ref.#	Part#	Description	33N	33NE
13	B6182-8	Locknut M8	x	x
14	B97.1-8	Washer 8	x	x
31	3302008	Wing Washer	x	x
52	B5783-840	Hex Hd Bolt M8x40	x	x
52A	2200020A	JH Engine Bolt (Honda)	x	x
88	3300025	Engine (B&S 10.5HP Intek I/C-R) *	x	
	3300026	Engine (B&S 11.5HP Intek I/C-E) *		x
	3300027	Engine (B&S 13HP Intek I/C-R) *	x	
	3300028	Engine (B&S 13HP Intek I/C-E) *		x
	3300031	Engine (Kawasaki 13HP) FH381V-S22	x	
	3300032	Engine (Kawasaki 13HP) FH381V-S20		x
	3300035	Engine (Honda 11HP GXV340-R) *	x	
	3300036	Engine (Honda 11HP GXV340-E) *		x
	3300037	Engine (Honda 13HP GXV390-R) *	x	
	3300038	Engine (Honda 13HP GXV390-E) *		x
89	B5783-620	Hex Hd Bolt M6x20 (B&S, Kawasaki)	x	
90	3307001	Bushing	x	x
91	B5285-6313F	F-Style Self-Drilling Screw	x	x
92	3307005	Bolt 7/16-20x1-1/4	x	x

Ref.#	Part#	Description	33N	33NE
93	3307003	Engine Drive Pulley	x	x
94	3300002	Transmission Drive Belt	x	x
95	3307002	Square Key	x	x
96	3307010	Transmission Drive Pulley	x	x
97	2800051	Tool Kit (Optional)	x	x
98	2800052	Tool Kit Cap (Optional)	x	x
99	B6182-6	Locknut M6(B&S, Kawasaki)		x
100	B62-6	Butterfly Nut M6		x
101	2808101	Battery Bracket		x
103	5208002	Battery 12V 33AH		x
104	3338103	Battery Splint		x
105	5208203	Hook Rod		x
106	B5783-820	Hex Hd Bolt M8x20		x
108	3334000	Transmission	x	x
210	2807031	Scald Resistance Plate (Honda)	x	x
210A	3337031	Scald Resistance Plate (Kawasaki)	x	x
276	B93-8	Washer 8 (Honda)	x	x
363	2808105	Start-up Relay (B&S, Kawasaki)		x

* -R MEANS:Recoil Start-UP

* -E MEANS:Electrical Start-UP

Mower Deck Assembly



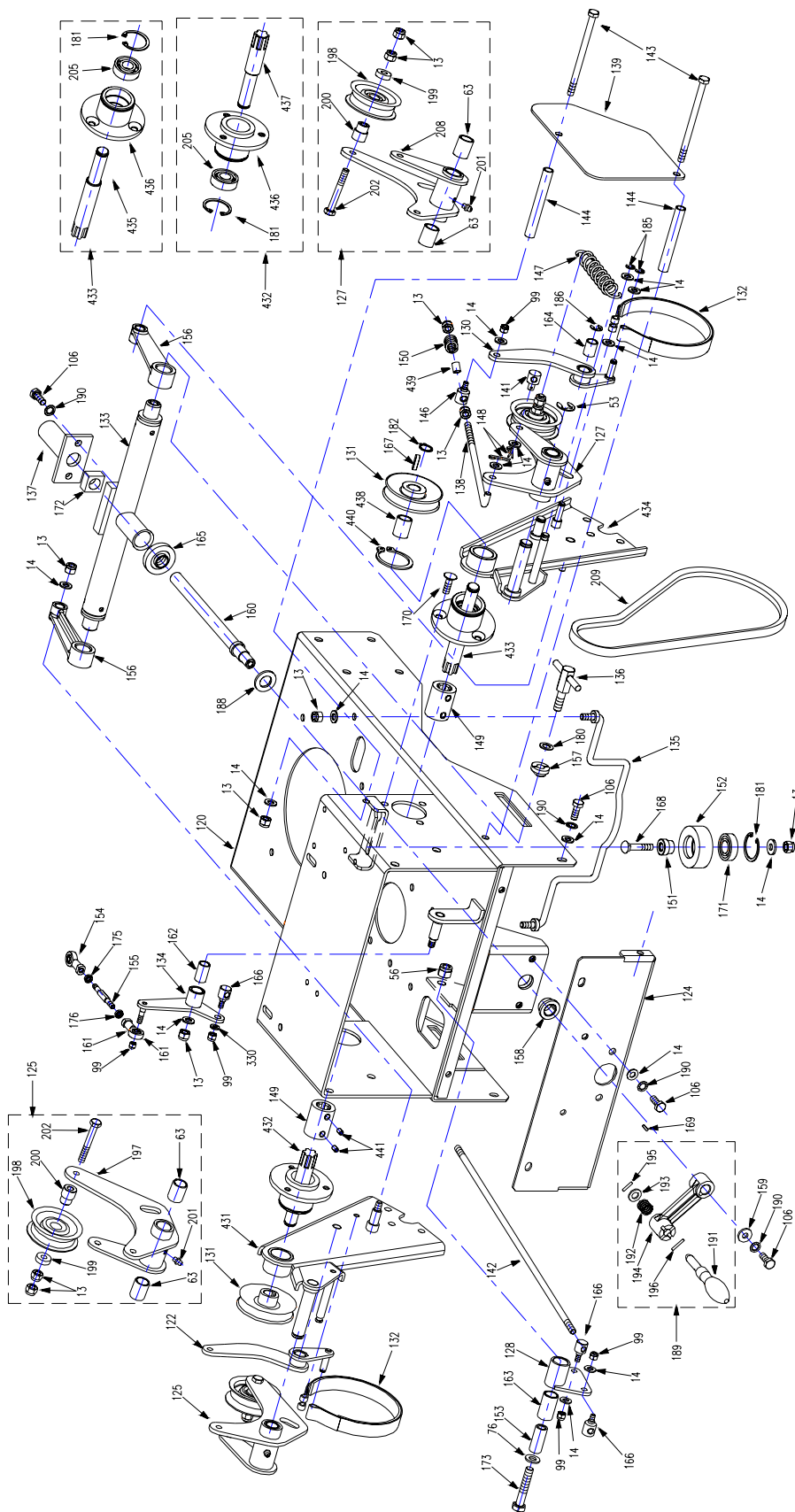


Mower Deck Assembly

Ref.#	Part#	Description	33N	33NE
11	B6182-12	Locknut M12	x	x
13	B6182-8	Locknut M8	x	x
14	B97.1-8	Washer 8	x	x
15	B5787-820	Hex Hd Bolt M8x20	x	x
21	3332001A	Mower Deck	x	x
22	3332002A	Blade Brake Arm Assembly	x	x
23	3302003	Blade Brake Spring	x	x
24	4201006	Swing Bolt M12x100	x	x
25	3302019	Torsion Spring	x	x
26	2802090N	Discharge Chute Assembly	x	x
27	2802008	Long Bolt	x	x
28	3332030	Idler Pulley Assembly	x	x
29	3332080	Tension Pulley Fixed Seat	x	x
30	3302007	Blade	x	x
30A	3302007A	Mulching Blade	x	x
31	3302008	Wing Washer	x	x
32	3302011	Center Blade Bolt	x	x
33	3302012	Center Spindle Assembly	x	x
34	3302190	Bolt	x	x
35	3302013	Outer Spindle Assembly	x	x
36	3302014	Outer Blade Bolt	x	x
37	3302015A	Belt Cover	x	x
38	3302016	Blade Pulley	x	x
39	3302009	Plate	x	x
40	3302017	Blade Drive Belt	x	x
41	3302018	Bushing	x	x
42	3302010	Bushing	x	x
43	3302095	Washer 8	x	x
44	3332003	Hex Hd Bolt	x	x
45	3332004A	Swivel	x	x
46	3332005	Compression Spring	x	x
47	3332007	Bushing	x	x
48	SIBJK 8T	Rod End Bearing	x	x
49	3332009	Idler Bracket	x	x
50	3302110	Mulching Shield Weldment	x	x

Ref.#	Part#	Description	33N	33NE
51	B6172-10	Nut M10	x	x
52	B5783-840	Hex Hd Bolt M8x40	x	x
53	B896-12	Snap Ring 12	x	x
54	B6170-8	Locknut M8	x	x
55	B6187.1-12	Nut M12	x	x
56	B6182-10	Locknut M10	x	x
57	B5787-1025	Hex Bolt M10x25	x	x
58	B97.1-10	Washer 10	x	x
59	B5787-825	Hex Hd Bolt M8x25	x	x
62	3300001	Blade Drive Belt	x	x
63	B2685-162025	Oilite Bronze Bearing 16x20x25	x	x
66	B893.2-62	Spacer 62	x	x
67	B276-6305RS	Bearing 6305-2RS	x	x
68	3302085	Outer Blade Spindle	x	x
69	3302082	Spindle Housing	x	x
70	3302081	Blade Coupling	x	x
71	3302083	Center Blade Spindle	x	x
72	3332075	Tension Pulley Seat Welding	x	x
73	3302056	Idler Pulley Welding	x	x
74	B276-6303RS	Bearing 6303-2RS	x	x
75	B893.2-47	Spacer 47	x	x
76	3302058	Washer 10	x	x
77	3332055A	Blade Drive Arm Weldment	x	x
78	3332059	Belt Hook	x	x
79	B6182-5	Locknut M5	x	x
80	B97.1-5	Washer 5	x	x
81	2802121	Brake Pad	x	x
82	B819-525	Screw M5x25	x	x
83	2802026	Bracket, Discharge Chute	x	x
84	B818-825	Screw M8x25	x	x
85	3303034	Washer	x	x
86	2802104	Discharge Chute	x	x
186	B896-8	Snap Ring 8	x	x
190	B861.1-8	Washer 8	x	x

Console Frame Assembly



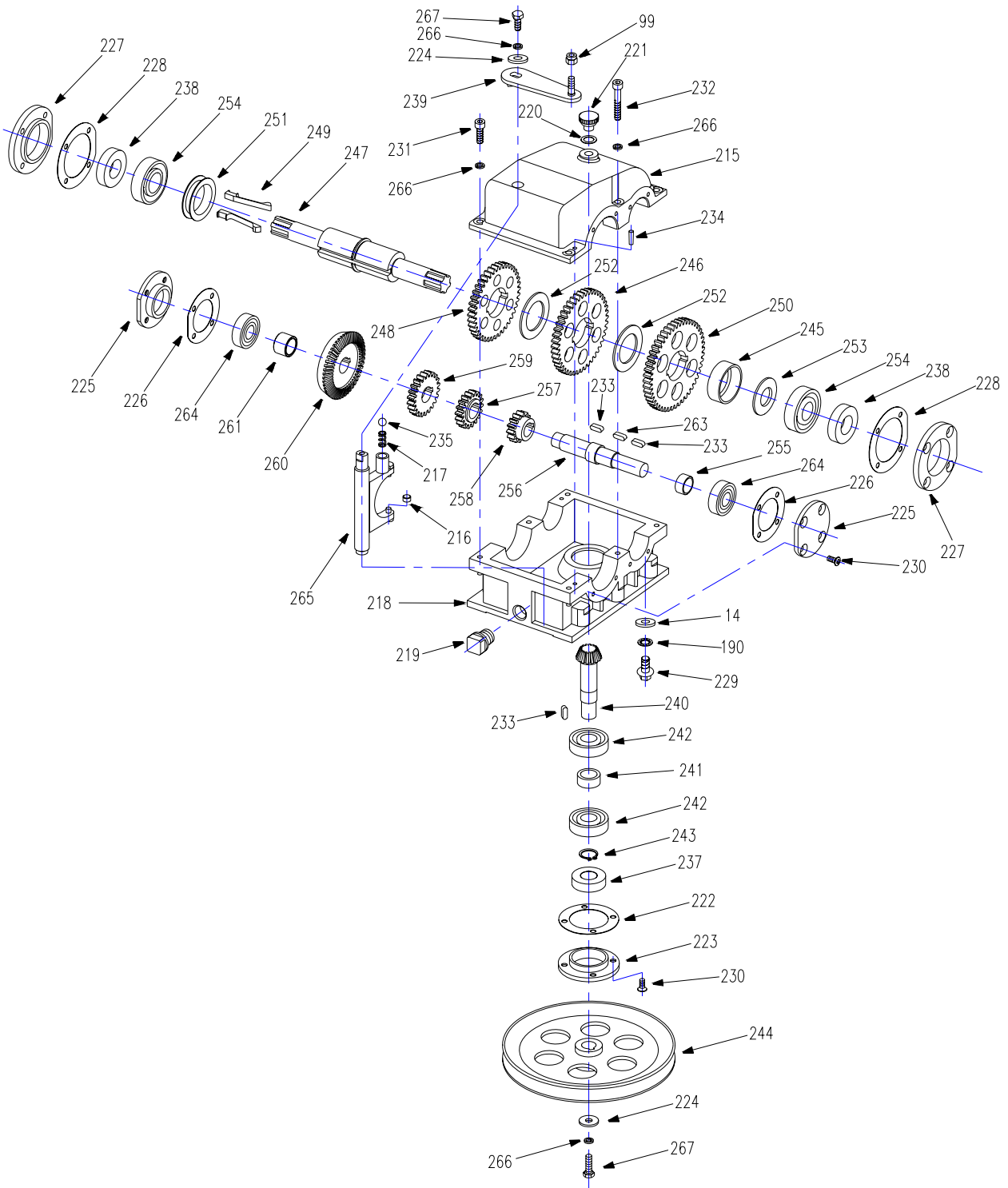


Console Frame Assembly

Ref.#	Part#	Description	33N	33NE
13	B6182-8	Locknut M8	x	x
14	B97.1-8	Washer 8	x	x
53	B896-12	Snap Ring 12	x	x
56	B6182-10	Locknut M10	x	x
76	3302058	Washer 10	x	x
63	B2685-162025	Oilite Bronze Bearing 16x20x25	x	x
99	B6182-6	Locknut M6	x	x
106	B5783-820	Hex Hd Bolt M8x20	x	x
120	3333001	Engine Frame	x	x
122	3333003	Brake Arm-LH	x	x
124	3333007	Rear Shield	x	x
125	3333009	Idler Pulley Assembly-LH	x	x
127	3333016	IdlerPulley Assembly-RH	x	x
128	3333017	Shift Arm	x	x
130	3333070	Brake Arm-RH	x	x
131	3333105	Wheel Drive Pulley	x	x
132	3303002	Brake Band	x	x
133	3303012	Height Adjusting Pivot	x	x
134	3303022	Shift Pivot Arm	x	x
135	3303046	Engine Pulley Belt Guide	x	x
136	3303049	Height Adjusting Bolt Assembly	x	x
137	3303050	Screw Cover	x	x
138	3333004	Brake Linkage	x	x
139	3333005	Safety Board	x	x
141	3333011	Swivel	x	x
142	3333012	Blade Engage Control Rod	x	x
143	3333013	Screw Cover	x	x
144	3333015	Steel Tube 2	x	x
146	3333019	Swivel	x	x
147	3333068	Tension Spring	x	x
148	XSZ56-1-17	Hair Pin	x	x
149	2800008	Spline Housing	x	x
150	2800017	Brake Spring	x	x
151	2803010	Bushing	x	x
152	2803011	Idler Pulley	x	x
153	2803016	Bushing	x	x
154	3303008	Rod and Bearing M6	x	x
155	3303009	Shift Adjusting Screw	x	x
156	3303011	Connecting Rod	x	x
157	3303014	Height Adjusting Pad	x	x
158	3303017	Oilite Bronze Bushing	x	x
159	3303018	Washer	x	x
160	3303020	Height Adjusting Screw	x	x
161	3303021	Rod and Bearing M6 (levo)	x	x
162	3303023	Nylon Bushing	x	x
163	3303037	Bushing	x	x

Ref.#	Part#	Description	33N	33NE
164	3303141	Nylon Bushing	x	x
165	3303180	Rubber Cover	x	x
166	3306015	Shift Tie-in	x	x
167	B1096-522	Square Key 5x22	x	x
168	B12-840	Hex Hd Bolt M8x40	x	x
169	B1567-5310C	Key C5x3x10	x	x
170	B2673-825	(InternalHead) Screw M8x25	x	x
171	B276-6003RS	Bearing 6003-2RS	x	x
172	B39-16	Quadrate Nut M16	x	x
173	B5782-1055	Hex Hd Bolt M10x55	x	x
175	B6172-6	Locknut M6	x	x
176	B6172-6L	Locknut M6	x	x
180	B861.2-10	Washer 10	x	x
181	B893.1-35	Spacer 35	x	x
182	B894.1-16	Spacer 16	x	x
185	B896-6	Snap Ring 6	x	x
186	B896-8	Snap Ring 8	x	x
188	B97.1-16	Washer 16	x	x
189	3303016	Handle Assembly	x	x
190	B861.1-8	Washer 8	x	x
191	3303123	Height Adjusting Handle	x	x
192	3303124	Compression Spring	x	x
193	3303125	Washer	x	x
194	3303126	Height Adjusting Rocker	x	x
195	B879-316	Spring Pin M3x16	x	x
196	B879-320	Spring Pin M3x20	x	x
197	3333059	Idler Bracket Weldment -LH	x	x
198	2800034	Idler Pulley Assembly	x	x
199	3333057	Spacer	x	x
200	3333058	Bushing	x	x
201	B1152-6	Grease Fitting M6	x	x
202	B5782-860	Hex Hd Bolt M8x60	x	x
205	99502H	Bearing 99502-2RS	x	x
208	3333055	Idler Bracket Weldment -RH	x	x
209	3300003	Drive Belt	x	x
330	B97.1-6	Washer 6	x	x
431	3333090	Axle Hanger-LH	x	x
432	3333060	OutPut Shaft Assembly-LH	x	x
433	3333080	OutPut Shaft Assembly-RH	x	x
434	3333100	Axle Hanger-RH	x	x
435	3333078	OutPut Shaft RH	x	x
436	3333077	Spindle Housing	x	x
437	3333076	OutPut Shaft-LH	x	x
438	3333075	Idler Sleeve	x	x
439	2806010	Nylon Bushing	x	x
440	B894.1-45	Spacer 45	x	x
441	B77-68	Screw M6x8	x	x

Transmission Assembly



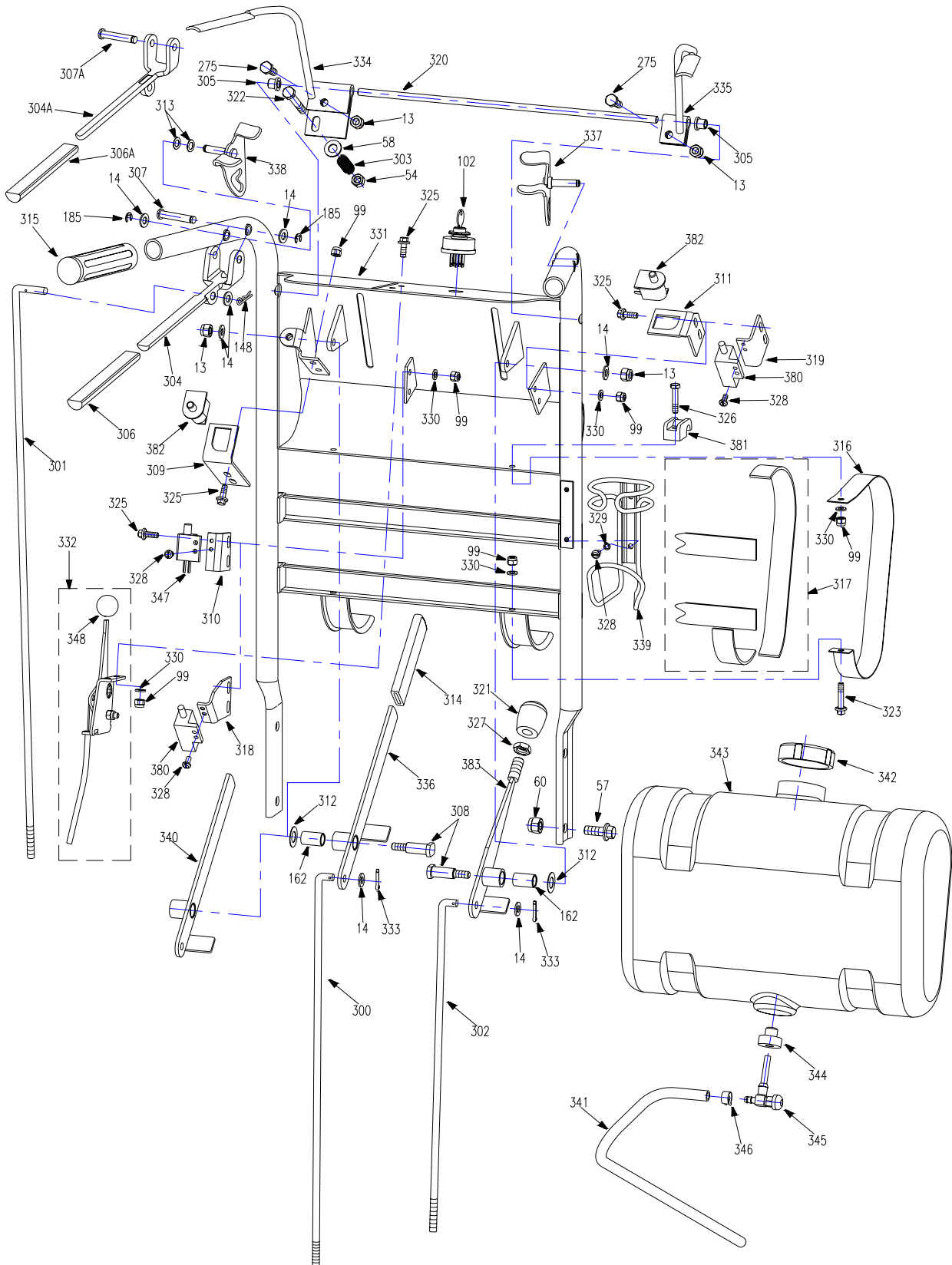


Transmission Assembly

Ref.#	Part#	Description	33N	33NE
14	B97.1-8	Washer 8	x	x
99	B6182-6	Locknut M6	x	x
190	B861.1-8	Washer 8	x	x
215	2804004	Transmission Case -Top	x	x
216	2804012	Roller	x	x
217	2804038	Detent Spring	x	x
218	3304001U	Transmission Case -Bottom	x	x
219	3304007	Oil Drain Plug	x	x
220	3304008	Fill /Breather Plug Spacer	x	x
221	3304009	Fill /Breather Plug	x	x
222	3304011	Input Shaft Seal Ring	x	x
223	3304012	Input Shaft Bearing Cover	x	x
224	3304014	Washer	x	x
225	3304015	BearingCover -Countshaft	x	x
226	3304016	Seal Ring	x	x
227	3304019	Bearing Cover -Output	x	x
228	3304020	Seal Ring	x	x
229	3300106	Hex Hd Bolt 5/16-18x3/4	x	x
230	3300124	Screw 10-24x1/2	x	x
231	3300187	Screw 1/2-20x3/4	x	x
232	3300188	Screw 1/4-20x1-5/8	x	x
233	B1096-514	Square Key 5x14	x	x
234	B117-416	Roll Pin 4x16	x	x
235	B308-5/16	Detent Steel Ball 5/16"	x	x
237	B9877.1-173510	Oil Seal FB17x35x10B	x	x
238	B9877.1-204010	Oil Seal FB20x40x10B	x	x
239	3334001	Shift Arm Weldment	x	x

Ref.#	Part#	Description	33N	33NE
240	3304031U	Bevel Gear	x	x
241	3304032	Spacer	x	x
242	B276-6203	Bearing 6203	x	x
243	B894.1-17	Spacer 17	x	x
244	3304013	Transimission Input Pulley	x	x
245	2804003	Shift Spacer	x	x
246	2804007	Spur Gear, Output Shaft 2nd	x	x
247	2804008	Output Shaft	x	x
248	2804009	Spur Gear, Output Shaft 1st	x	x
249	2804016	Sliding Key	x	x
250	2804017	Spur Gear, Output Shaft 3rd	x	x
251	2804019	Shift Spacer	x	x
252	3304053	Washer	x	x
253	3304054	Spacer	x	x
254	B276-6204	Bearing 6204	x	x
255	2804001	Shift Spacer	x	x
256	2804002	Center Shaft	x	x
257	2804005	Spur Gear, Counter shaft 2nd	x	x
258	2804006	Spur Gear, Counter shaft 3rd	x	x
259	2804020	Spur Gear, Counter shaft 1st	x	x
260	3304041	Taper Ring Gear	x	x
261	3304042	Spacer	x	x
263	B1096-516	SquareKey 5x16	x	x
264	B276-6202	Bearing 6202	x	x
265	2804013	Shift Fork	x	x
266	B93-6	Washer 6	x	x
267	3300198	Hex HdBolt 1/4-20x3/4	x	x

Handle Bar and Console





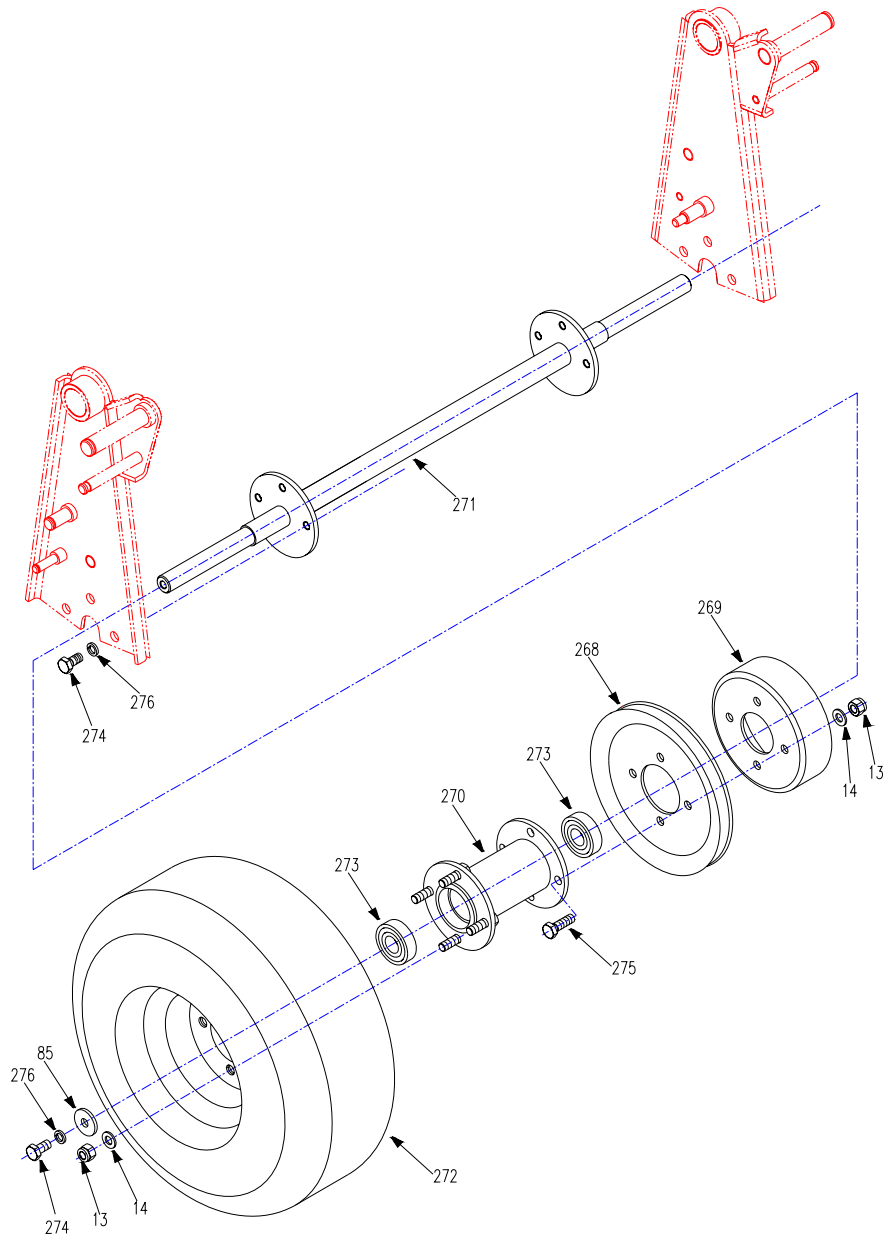
Handle Bar and Console

Ref.#	Part#	Description	33N	33NE
13	B6182-8	Locknut M8	x	x
14	B97.1-8	Washer 8	x	x
54	B6170-8	Locknut M8	x	x
57	B5787-1025	Hex Bolt M10x25	x	x
58	B97.1-10	Washer 10	x	x
60	B6187-10	Locknut M10	x	x
99	B6182-6	Locknut M6	x	x
102	2808109	Ignition Switch		x
148	XSZ56-1-17	Hair Pin	x	x
162	3303023	Nylon Bushing	x	x
185	B896-6	Snap Ring 6	x	x
275	B5783-825	Hex Hd Bolt M8x25	x	x
300	3336003	Blade Control Rod	x	x
301	3336005	Brake Control Rod	x	x
302	2806012	Shift Brake Rod	x	x
303	2806002	Compression Spring	x	x
304	2806006	Steering Lever (Moulding)	x	x
304A	2806020	Steering Lever (Weldment)	x	x
305	2806010	Bushing	x	x
306	2806011	Handle Grip	x	x
306A	2806097	Handle Grip	x	x
307	2806017	Axis Pin	x	x
307A	2806096	Axis Pin	x	x
308	2806055	Axis Pin	x	x
309	2806056	Electrical Switch Bracket	x	x
310	2806057	Blade Switch Bracket	x	
311	2806058	Switch Bracket	x	
312	2806061	Wave Washer	x	x
313	2806086	Saddle Shaped Washer	x	x
314	3306002	Handle Grip	x	x
315	3306005	Handle Grip	x	x
316	3306017	Fuel Tank Mounting Strap	x	x
317	3306018	Rubber Strip	x	x
318	2806087	Blade Switch Bracket		x
319	2806085	Switch Bracket		x

Ref.#	Part#	Description	33N	33NE
320	2806042	Bolt	x	x
321	B4141.13-1240	Knob, M12x40	x	x
322	B5782-855	Hex Hd Bolt M8x55	x	x
323	B5783-630	Hex Hd Bolt M6x30	x	x
325	B5787-616	Hex Hd Bolt M6x16	x	x
326	B5787-630	Hex Hd Bolt M6x30	x	x
327	B6172-12	Nut M12	x	x
328	B67-510	Screw M5x10	x	x
329	B93-5	Washer 5	x	x
330	B97.1-6	Washer 6	x	x
331	3336004	Handle Weldment	x	x
332	2806005	Throttle Control Assembly (B&S)	x	x
	2806105	Throttle Control Assembly (Honda)	x	x
	3336019	Throttle Control Assembly (Kawasaki)	x	x
333	B91-2520	Split Pin 2.5*20	x	x
334	2806003	Flameout Handle-LH	x	x
335	2806007	Flameout Handle-RH	x	x
336	2806015	Mower Blade Drive Lever	x	
337	2806070	Neutral latch-RH	x	x
338	2806071	Neutral latch-LH	x	x
339	2806090	Cup Frame	x	x
340	2806084	Blade Drive Lever		x
341	2807005	Fuel Line (B&S, Kawasaki)	x	x
	2807025	Fuel Line (Honda)	x	x
342	3307021	Gas Cap	x	x
343	3307022	Fuel Tank	x	x
344	3307023	Fuel Tank Bushing	x	x
345	3307024	Fuel Line Shut-off	x	x
346	3307025	Hose Clamp	x	x
347	2808005	Blade Switch	x	
348	3306030	Knob	x	x
349	2806095	Gear shift lever	x	x
380	5208015	Brake Switch		x
381	2808012	Pipe Clamp	x	x
382	2808001	Handle Bar Switch	x	x

* * 304A Should Be Matched With 306A&307A

Transaxle

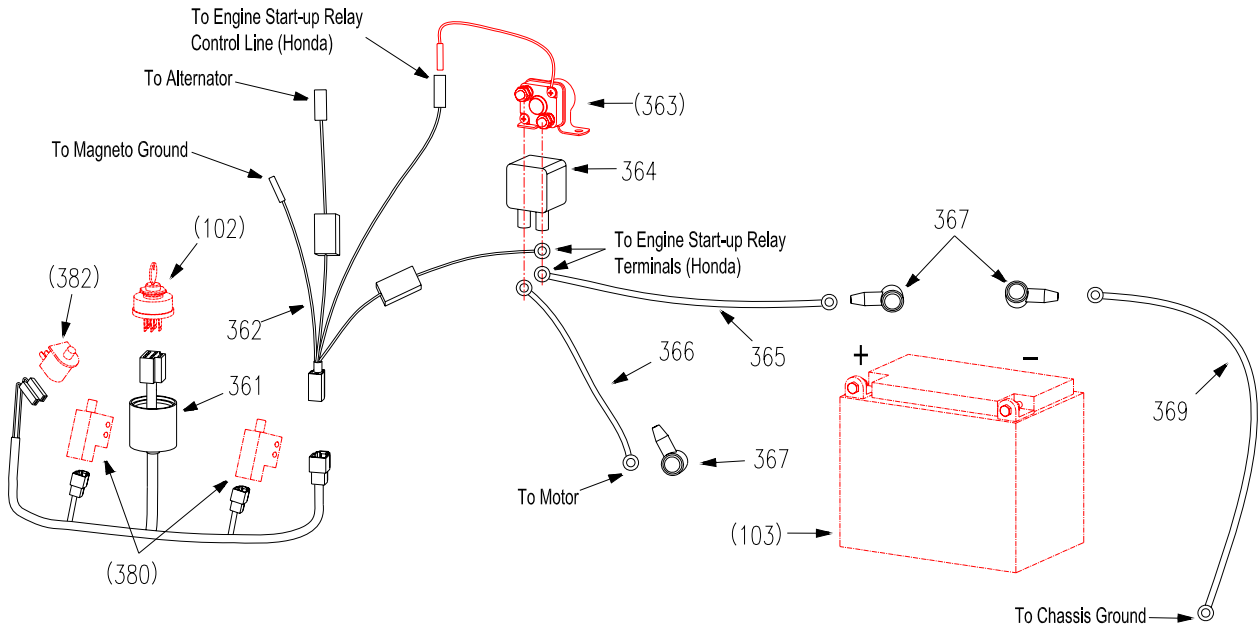


Ref.#	Part#	Description	33N	33NE
13	B6182-8	Locknut M8	x	x
14	B97.1-8	Washer 8	x	x
85	3303034	Washer	x	x
268	3335003	Differential Pulley	x	x
269	3335004	Brake Drum	x	x
270	3335002	Wheel Hub Weldment	x	x

Ref.#	Part#	Description	33N	33NE
271	3335005	Axle Shaft	x	x
272	3305001	Tire & Rim Assembly	x	x
273	B276-6203RS	Bearing 6203-2RS	x	x
274	B5783-816	Hex Hd BoltM8x16	x	x
275	B5783-825	Hex Hd BoltM8x25	x	x
276	B93-8	Washer 8	x	x



Electrical Start-up Wiring Harness



Ref.#	Part#	Description	33N	33NE
102	2808109	Ignition Switch		x
103	5208002	Battery 12V 33AH		x
361	2808118	Wiring Harness,Handle		x
362	2808119	Wiring Harness,Console (B&S)		x
	3338115	Wiring Harness,Console (Kawasaki)		x
	2808135	Wiring Harness,Console (Honda)		x
363	2808105	Start-up Relay (B&S, Kawasaki)		x
364	2808104	Start-up Relay Grip (B&S, Kawasaki)		x
365	2808103	Positive Pole Post (B&S, Kawasaki)		x
	2808132	Positive Pole Post (Honda)		x
366	2808106	Motor Pole Post (B&S)		x
	3338104	Motor Pole Post (Kawasaki)		x
367	2808107	Cover		x
369	2808110	Negative Pole Post (B&S, Honda)		x
	3338105	Negative Pole Post (Kawasaki)		x
380	5208015	Brake Switch		x
382	2808001	Handle Bar Switch	x	x

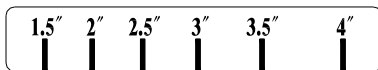
Safety/Operation and Product Decals



411



405



402



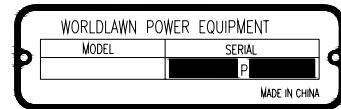
403



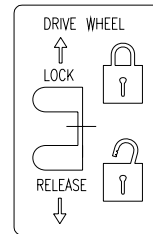
404



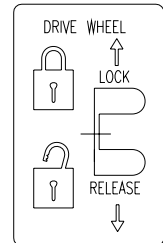
401



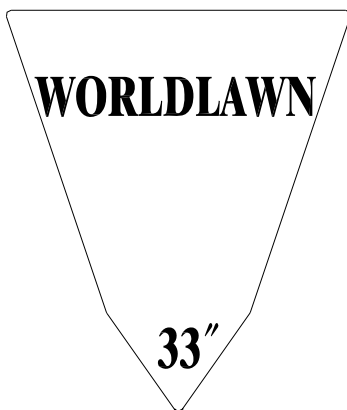
407



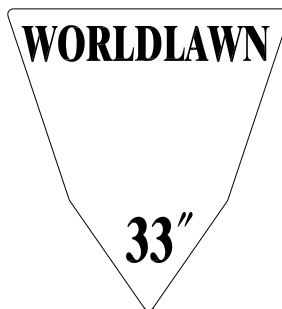
410



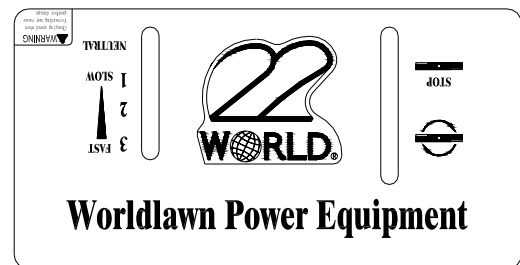
409



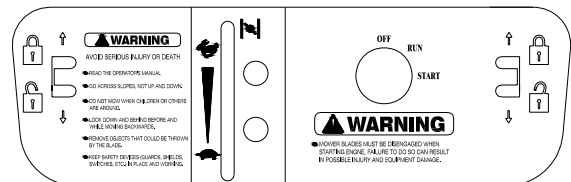
406



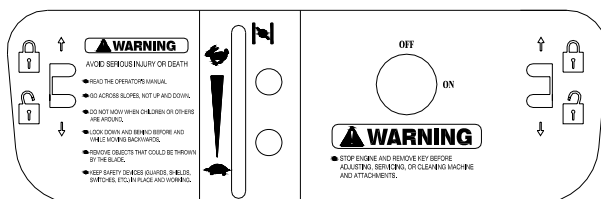
406A



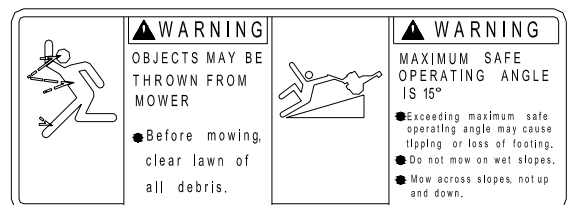
408



412

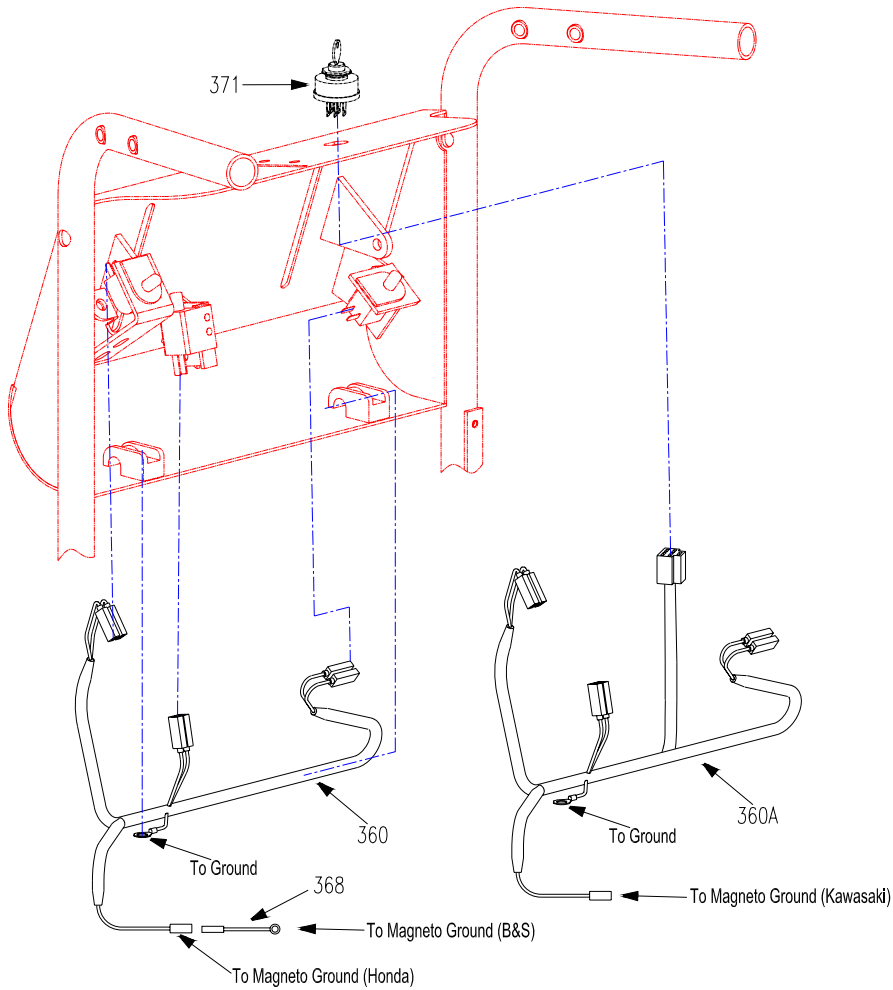


405A



413

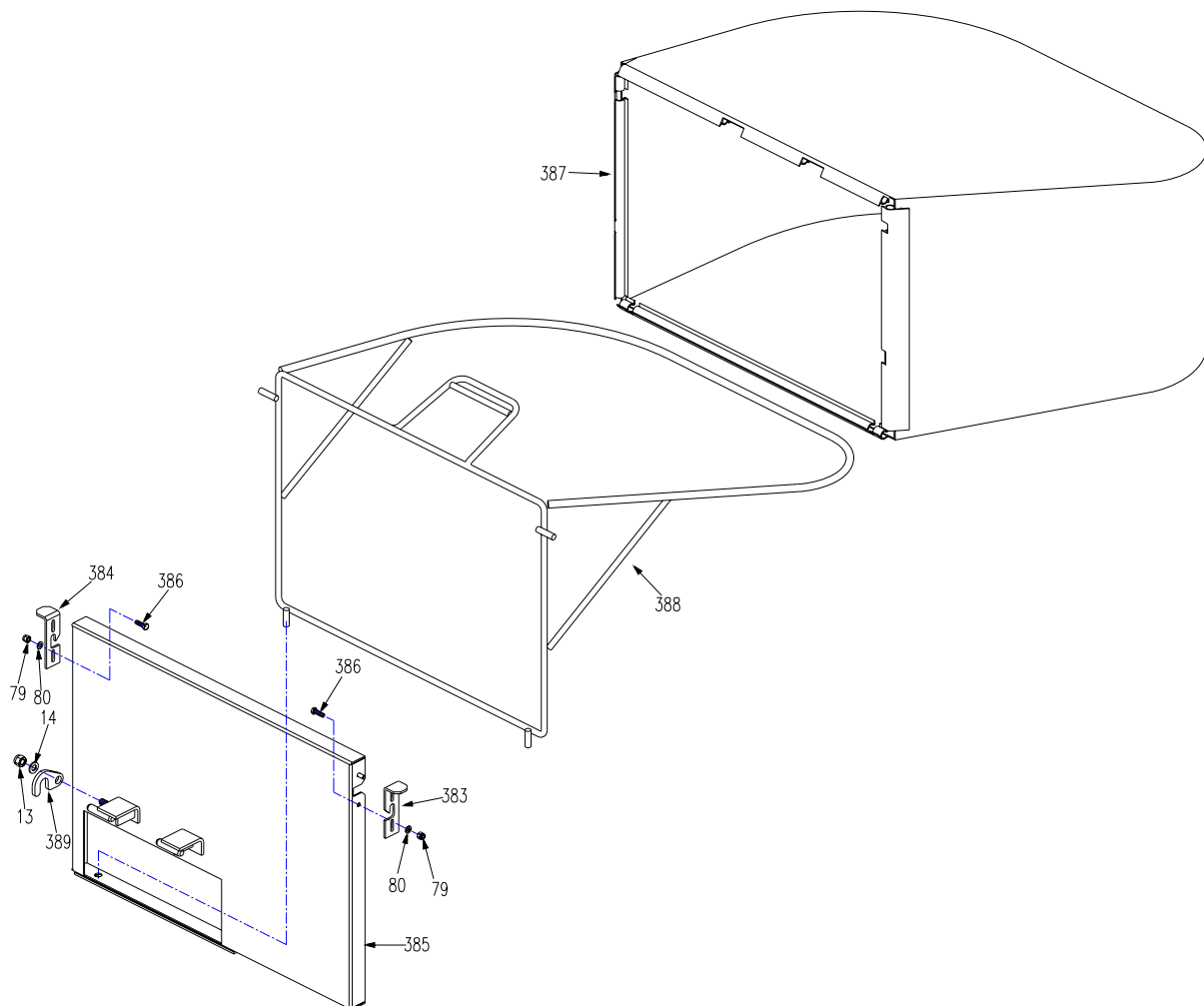
Recoil Start-up Wiring Harness



Ref.#	Part#	Description	33N	33NE
401	8008	Decal, Caution	x	x
402	8013	Decal, Height AdjustingLH	x	x
403	8014	Decal, Height AdjustingRH	x	x
404	8015	Decal, Height Adjusting	x	x
405	8022	Decal, Warning (B&S,Honda)	x	
405A	8044	Decal, Warning (Kawasaki)	x	
406	8030	Decal, (B&S)	x	x
406A	8043	Decal, (Kawasaki, Honda)	x	x
407	8046	Decal, Model Plate	x	x
408	8049	Decal	x	x
409	8080	Decal,DriveWheel-RH (B&S, Honda)	x	
410	8081	Decal,DriveWheel-LH (B&S, Honda)	x	
411	8413	Decal, Danger	x	x
412	8903	Decal, Warning		x

Ref.#	Part#	Description	33N	33NE
413	8904	Decal, Warning	x	x
360	2808010	Wiring Harness (B&S, Honda)	x	
360A	3338011	Recoil Start-upWiring Harness (Kawasaki)	x	
368	2808014	Engine Flameout Wiring Harness (B&S)	x	
371	4807003	Key Switch (Kawasaki)	x	

Grass Catcher



Ref.#	Part#	Description	33N	33NE
13	B6182-8	Locknut M8	x	x
14	B97.1-8	Washer 8	x	x
79	B6182-5	Locknut M5	x	x
80	B97.1-5	Washer 5	x	x
383	2802203	Grass Catcher Latch-RH	x	x
384	2802202	Grass Catcher Latch-LH	x	x
385	3332420	Grass Catcher Mount Weldment	x	x
386	B823-520	Screw M5x20	x	x
387	2802230	Grass Catcher Bag	x	x
388	2802220	Grass Catcher Wire Frame	x	x
389	3302202	Lock Latch	x	x



Worldlawn Power Equipment, Inc.

422 Turnbull Canyon Road City of Industry CA 91744

Phone:(626) 934-8552

Fax: (626) 934-8162

E-mail: worldlawnmower@adelphia.net

Form No. 33123-200801