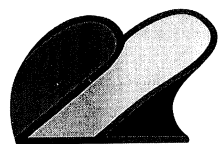


# Parts Catalog

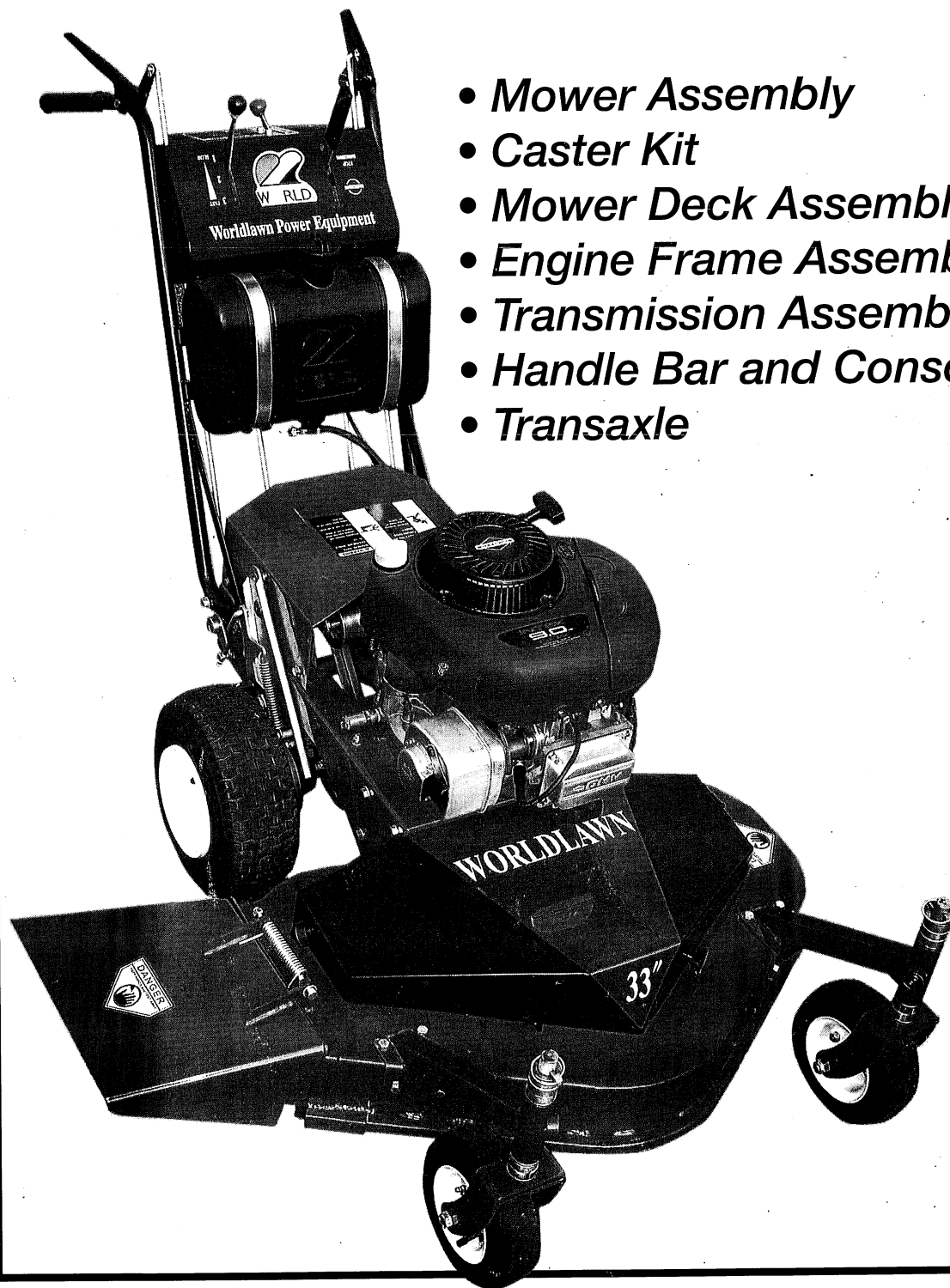


WORLD.

**WORL DLAWN®**

2005 - 2006

**Residential 33" Mower**



- *Mower Assembly*
- *Caster Kit*
- *Mower Deck Assembly*
- *Engine Frame Assembly*
- *Transmission Assembly*
- *Handle Bar and Console*
- *Transaxle*

**Worldlawn Power Equipment, Inc.**

422 Turnbull Canyon Road  
City of Industry, CA 91744

Toll Free Number: 1-866-9-mowers (1-866-966-9377)



# Service and repair parts information

If you have questions, problems, or need an Owners Manual, please contact your local Worldlawn authorized dealer or call the Factory. When calling or writing, please provide the Model and Serial Numbers of your Mower.

**WORL DLAWN POWER EQUIPMENT, INC.**

Phone: (626) 934-8552

Fax: (626) 934-8162

Toll Free Number: 1-866-9-mowers (1-866-966-9377).

422 Turnbull Canyon Road

City of Industry, CA 91744 U.S.A.

**Web Site:** <http://www.worldlawnpower.com/>

Hours: M-F 8 am to 5 pm (PST) Time

## MODEL NUMBERS 33" MOWERS

**WY3309BS 9 HP OHV I/C Recoil Start Engine**

**WY3311BS 11 HP OHV I/C Recoil Start Engine, Opt**

**WY3313BS 13 HP OHV I/C Recoil Start Engine, Opt**

Factory specified replacement parts for your Mower are available from either your local Worldlawn authorized dealer or by calling the Factory.

Contact your local Worldlawn or Briggs and Stratton authorized dealer or call the Factory where local laws require the Mower to have a Spark Arrester Muffler.

For Engine information, contact your nearest authorized Engine Service Dealer. Look in the Yellow Pages under "Engines-Gasoline." The Engine Warranty is covered by the Engine Manufacturer's Limited Warranty.

### IF YOU NEED SERVICE OR PARTS FOR YOUR UNIT:

For service assistance or parts, contact your local authorized dealer. The local dealer or service department will need to know the identification numbers of this unit to provide the most efficient service. Record the identification numbers for your unit as indicated below.

If you need engine service or parts: For engine service or part, contact your local authorized engine dealer. Look in the yellow pages of the phone book under "Engines-Gasoline" for the name of the nearest authorized engine dealer. An authorized engine dealer can handle all parts, repairs, and warranty service concerning the engine.

### NOTE:

All genuine replacement parts must conform to our rigid quality specifications. Although some replacement parts we provide may vary slightly in shape, color or texture from the original parts, any variations will not affect the fit or performance of these parts on your unit. When ordering parts for your unit, provide the following.

1. Serial number and model number of the unit.
2. Part number of part needed.
3. Part description.
4. Quantity needed.

## **WARNING**

WE URGE USING ONLY GENUINE REPLACEMENT PARTS, WHICH MEET ALL THE LATEST REQUIREMENTS. REPLACEMENT PARTS MANUFACTURED BY OTHERS COULD PRESENT SAFETY HAZARDS, EVEN THOUGH THEY MAY FIT ON THIS UNIT.

### IMPORTANT:

**Left and right sides of the unit are determined by standing behind the unit, in the operator's position, and facing the direction of forward travel.**

### NOTICE:

We reserve the right to change specifications, add improvements or discontinue the manufacture of any of our equipment without notice or obligation to purchasers of our equipment.

Record the serial number and model number. Refer to the unit's model/serial number decal. When ordering any parts from us or the local servicing dealer, provide the information on this decal.

Record the engine identification number. To obtain engine parts, provide your local authorized engine dealer with engine identification numbers. Refer to the engine owner's manual for the location of these numbers. Record these numbers in the spaces below.

Model Number: \_\_\_\_\_

Serial Number: \_\_\_\_\_

Date of Delivery: \_\_\_\_\_

Engine Manufacturer: \_\_\_\_\_

Engine Horsepower Rating: \_\_\_\_\_

Engine Identification Number: \_\_\_\_\_

### TABLE OF CONTENTS

Safety/Operation and Product Decals .....	3
Mower Assembly.....	4
Caster Kit .....	5
Mower Deck Assembly .....	6/7
Engine Frame Assembly .....	8/9
Transmission Assembly.....	10/11
Handle Bar and Console .....	12/13
Transaxle .....	14/15



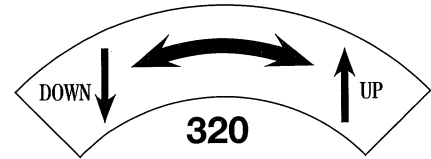
# Safety/Operation and Product Decals



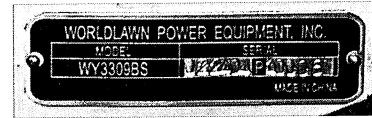
85



84



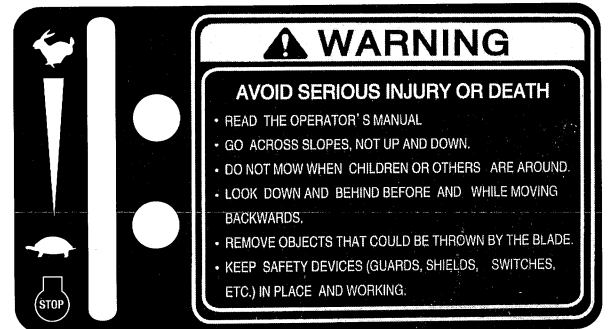
320



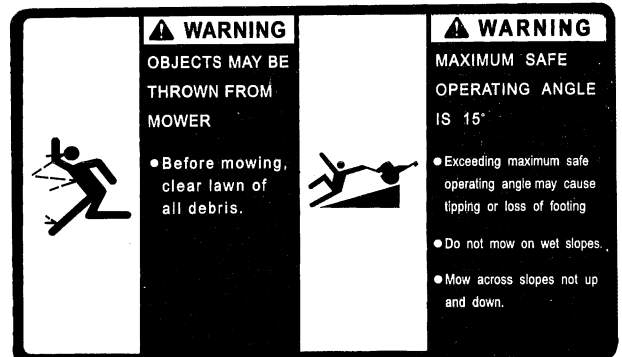
322



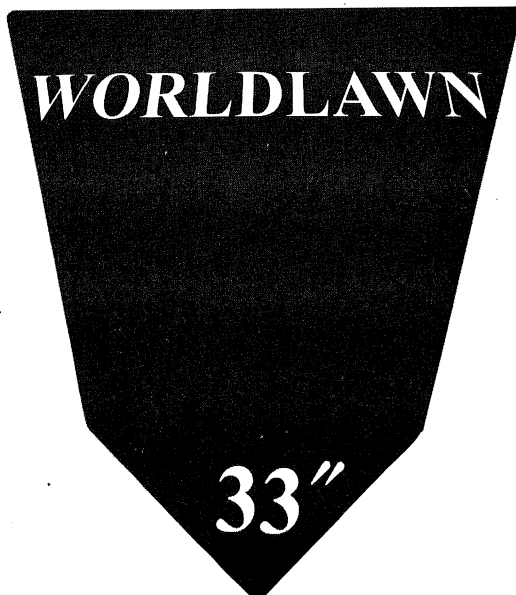
324



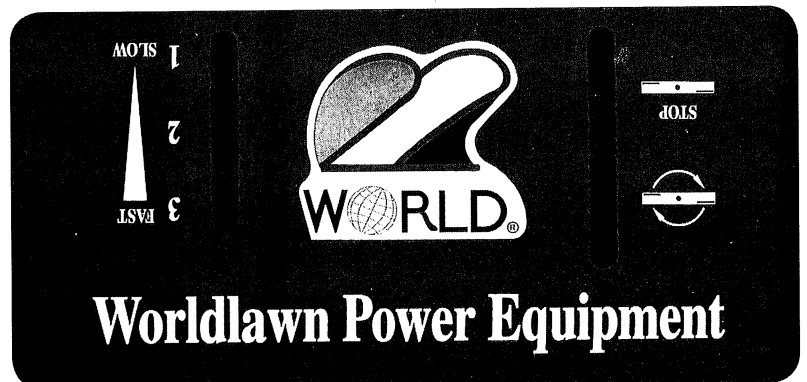
332



331



86

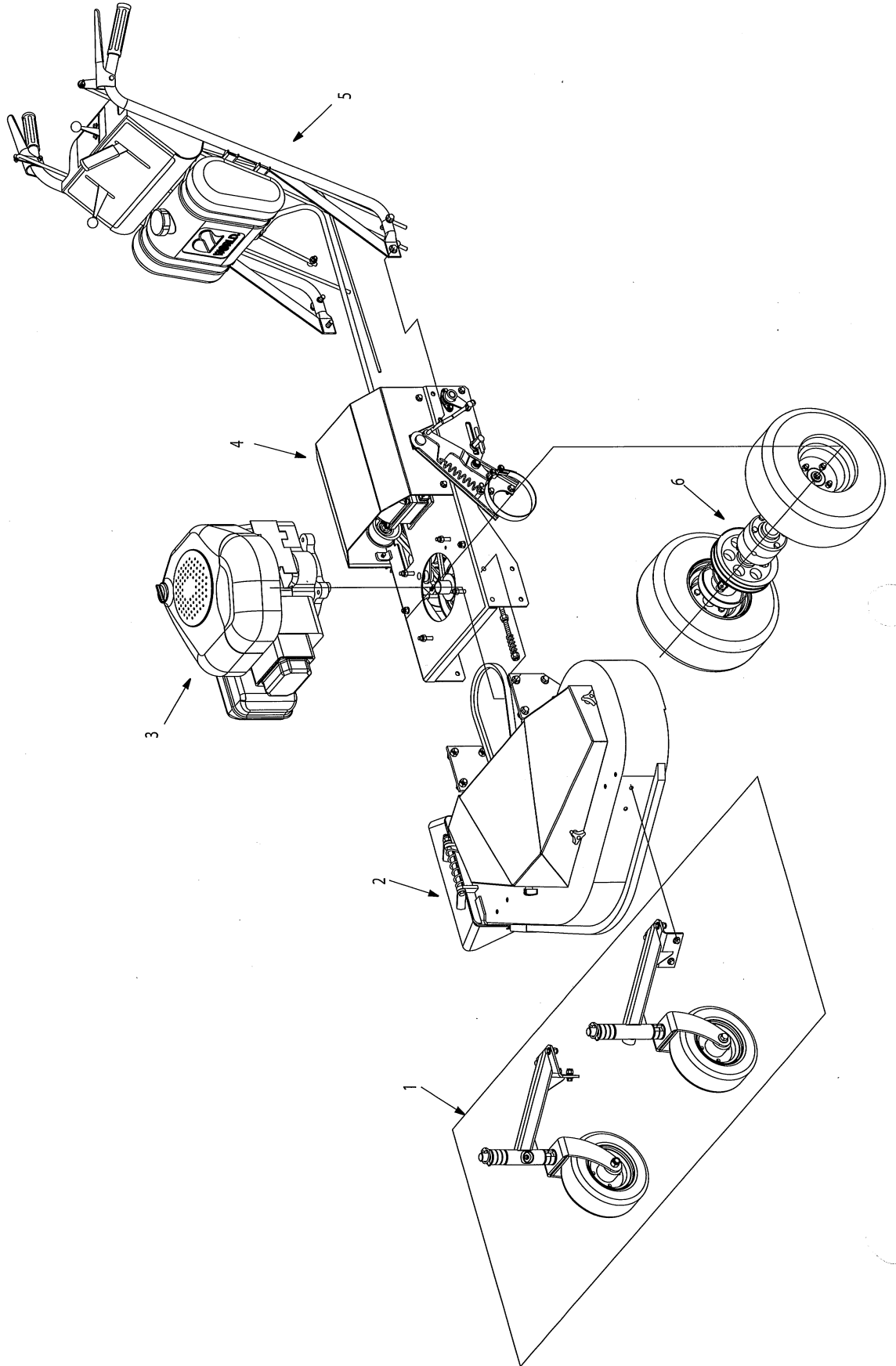


217

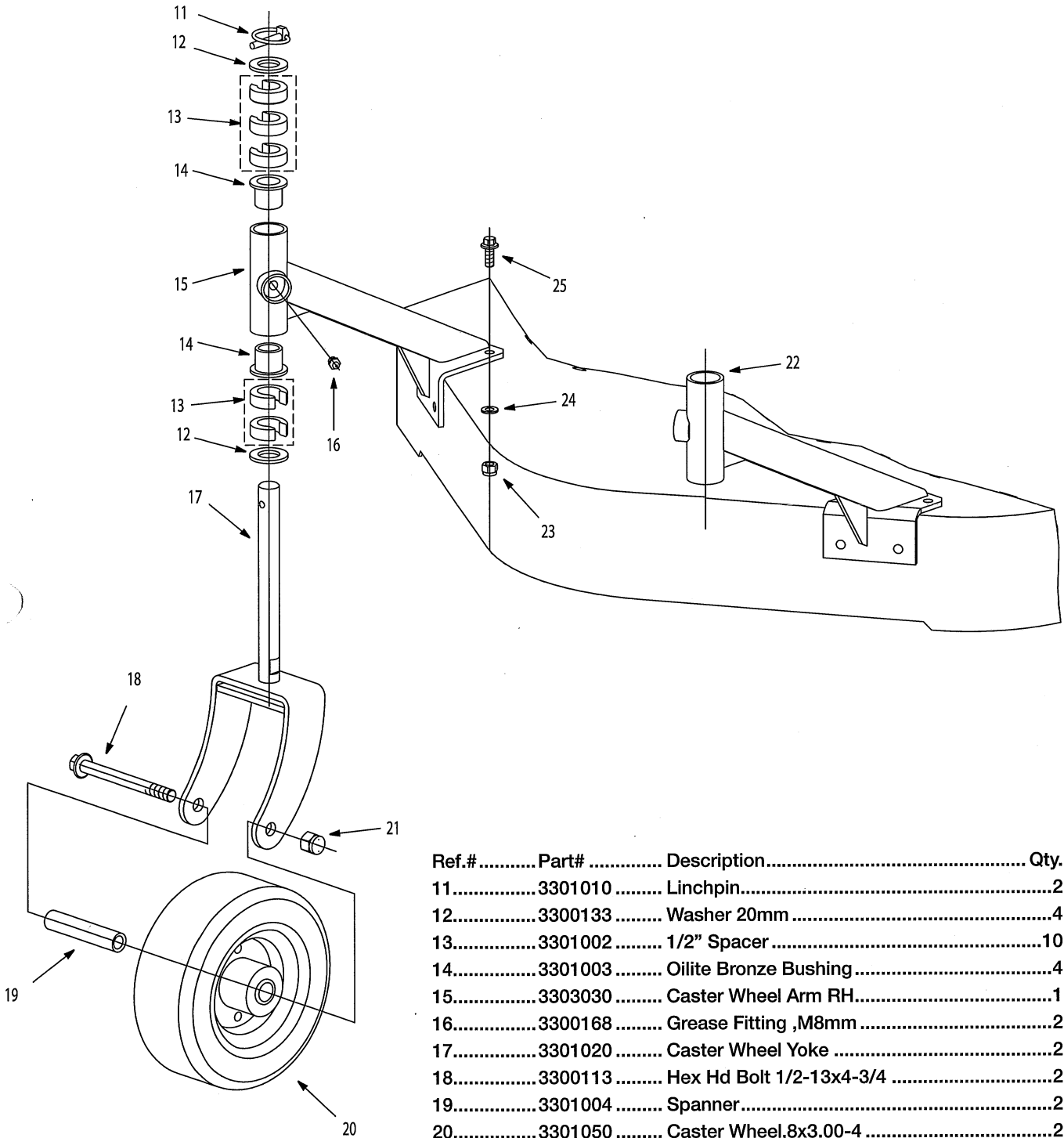
# Mower Assembly



Ref.#	Part#	Description	Qty.
1	3301000	Caster Kit	1
2	3302000	Mower Deck Assembly	1
3	3300025	Engine Assembly	1
4	3303000	Engine Frame Assembly	1
5	3306000	Handlebar And Console	1
6	3305000	Transaxle	1



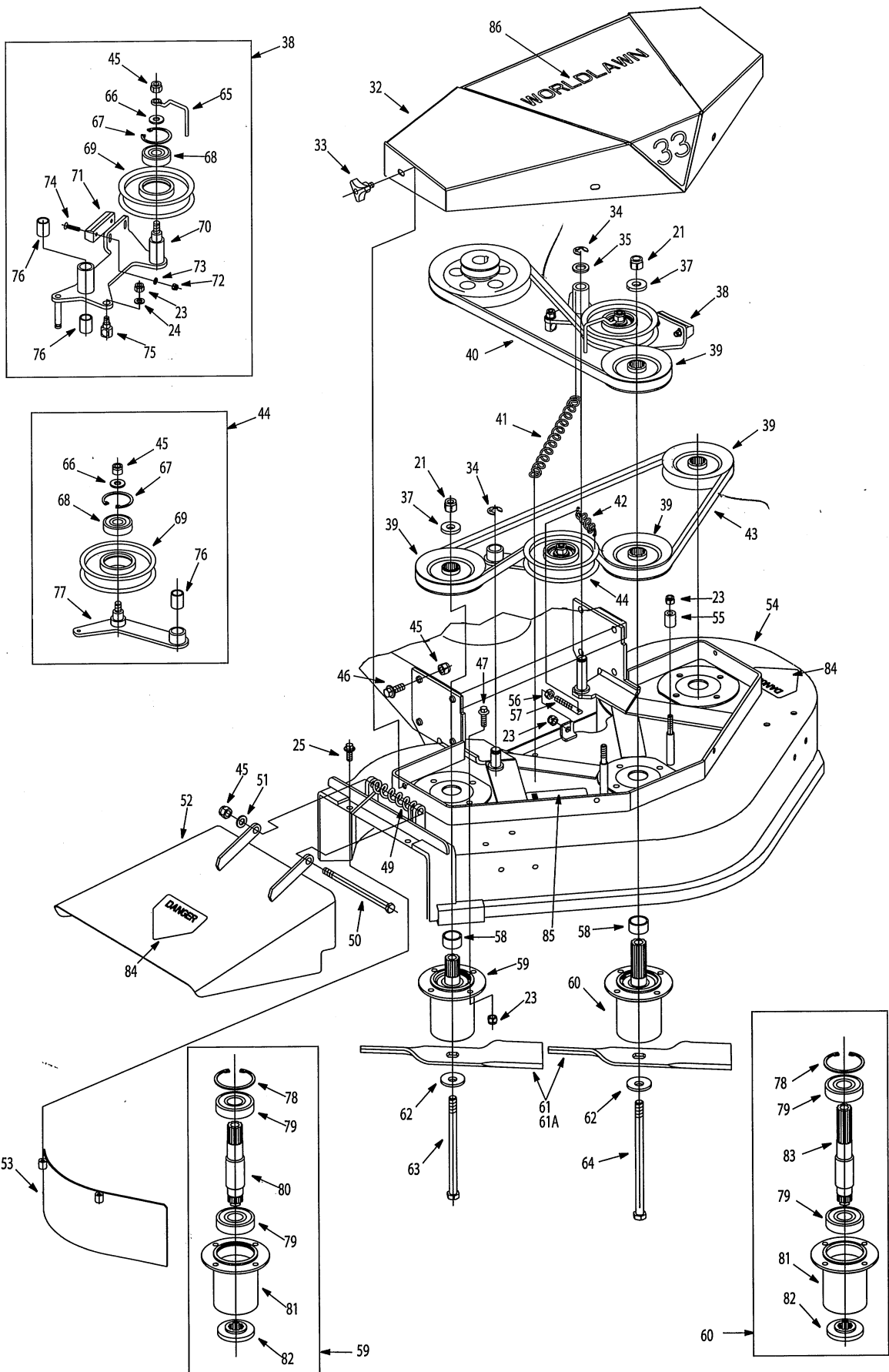
# Caster Assembly

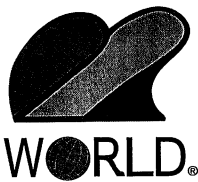


Ref.#	Part#	Description	Qty.
11	3301010	Linchpin	2
12	3300133	Washer 20mm	4
13	3301002	1/2" Spacer	10
14	3301003	Oilite Bronze Bushing	4
15	3303030	Caster Wheel Arm RH	1
16	3300168	Grease Fitting ,M8mm	2
17	3301020	Caster Wheel Yoke	2
18	3300113	Hex Hd Bolt 1/2-13x4-3/4	2
19	3301004	Spanner	2
20	3301050	Caster Wheel,8x3.00-4	2
21	3300123	Nylon Insert Locknut1/2-13	2
22	3301040	Caster Wheel Arm LH	1
23	3300119	Nylon Insert Locknut5/16-18	8
24	3300128	Washer 8mm	8
25	3300106	Flange Lock bolt 5/16-18x3/4	8



# Mower Deck Assembly





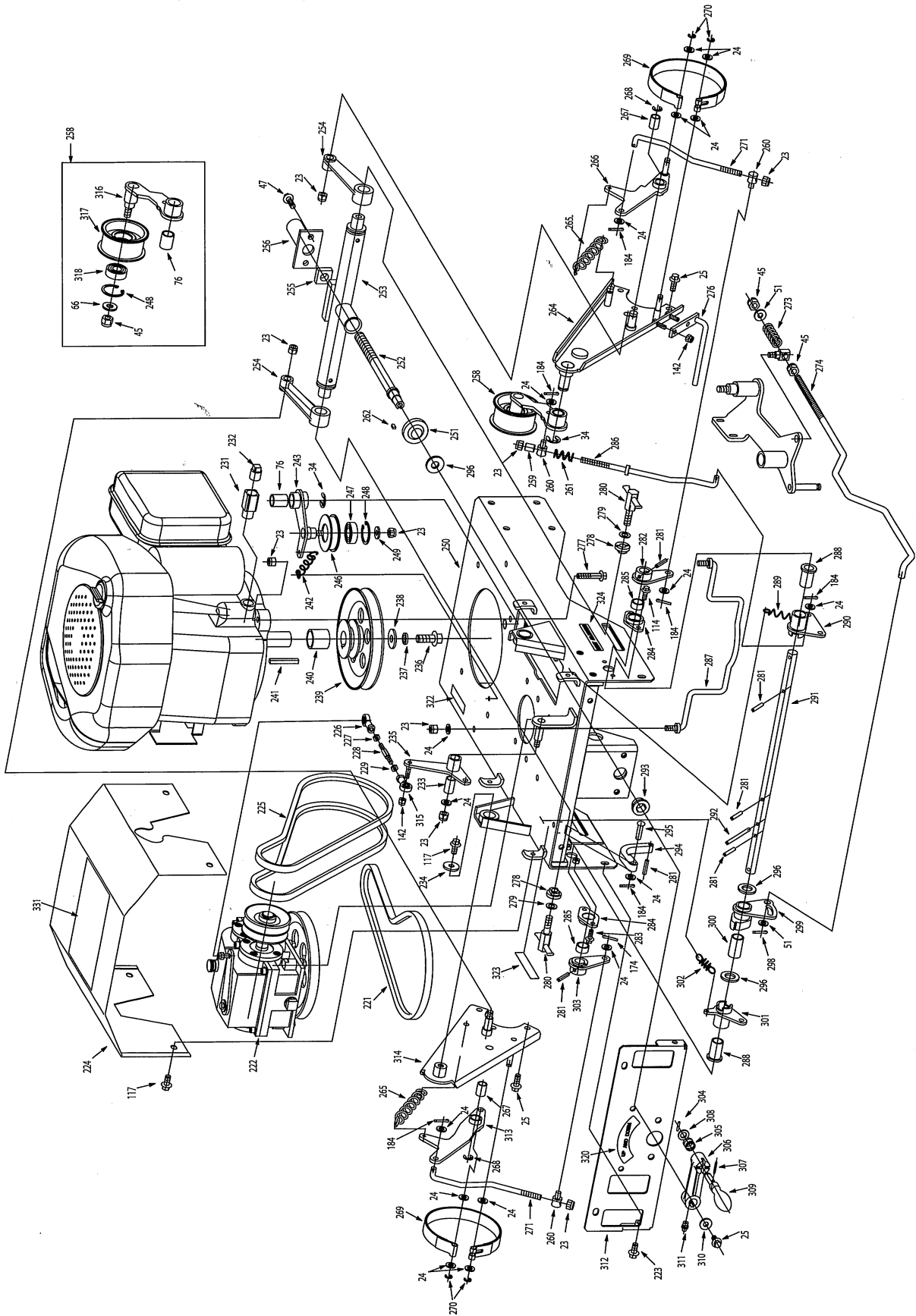
# Mower Deck Assembly

Ref.#	Part#	Description	Qty.
21	3300123	Nylon Insert Locknut 1/2-13	3
23	3300119	Nylon Insert Locknut 5/16-18	3
25	3300106	Flange Lock bolt 5/16-18x3/4	2
32	3302015	Belt Cover	1
33	3302190	Knob, 5/16-18	4
34	3300144	Snap Ring 12mm	2
35	3302095	Spacer	1
37	3302009	Spacer	3
38	3302002	Blade Brake Arm Assembly	1
39	3302016	Blade Pulley	4
40	3300001	Blade Drive Belt	1
41	3302003	Blade Brake Spring	1
42	3302006	Idler Spring	1
43	3302017	Blade Drive Belt MXV-640	1
44	3302005	Idler Pulley Assembly	1
45	3300122	Nylon Insert Locknut 3/8-16	9
46	3300111	Flange Lock bolt 3/8-16x1	8
47	3300108	Flange Lock bolt 5/16-18x1	12
49	3302019	Torsion Spring	1
50	3302091	Hex Hd Bolt	1
51	3300130	Washer 10mm	1
52	3302090	Discharge Chute	1
53	3302110	Mulching Shield-Optional	1
54	3302001	Mower Deck	1
55	3302010	Belt Guide Roller	2
56	3300120	Hex Nut 5/16-18	1
57	3302004	Spring Adjusting Screw	1
58	3302018	Spacer	3
59	3302013	Outer Spindle Assembly	2

Ref.#	Part#	Description	Qty.
60	3302012	Center Spindle Assembly	1
61	3302007	Blade 12-1/8, Standard	3
61A	3302007-01	Blade 12-1/8, Mulching-Optional	3
62	3302008	Washer	3
63	3302011	Outer Blade Bolt	2
64	3302014	Center Blade Bolt	1
65	3302059	Belt Guide	1
66	3302058	Spacer 10mm	2
67	3300171	Snap Ring 17mm	2
68	3300163	Bearing 6303-2RS	2
69	3302056	Idler Pulley	2
70	3302055	Blade Brake Arm	1
71	3302057	Brake Pad	1
72	3300114	Flange Locknut 10-24	2
73	3300189	Washer 5mm	2
74	3300125	Phillips Hd Screw 10-24x1	2
75	3302061	Shoulder Bolt	1
76	3302062	Oilite Bronze Bushing	3
77	3302075	Idler Arm	1
78	3300149	Snap Ring 62mm	3
79	3300165	Bearing 6305-2RS	6
80	3302085	Outer Blade Spindle	2
81	3302082	Spindle Housing	3
82	3302081	Blade Spacer	3
83	8802083	Center Blade Spindle	1
84	8007	Decal, Danger	2
85	8008	Decal, Caution	1
86	8030	Decal, Worldlawn 33"	1

B 2685-162025

# Engine Frame Assembly

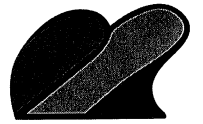






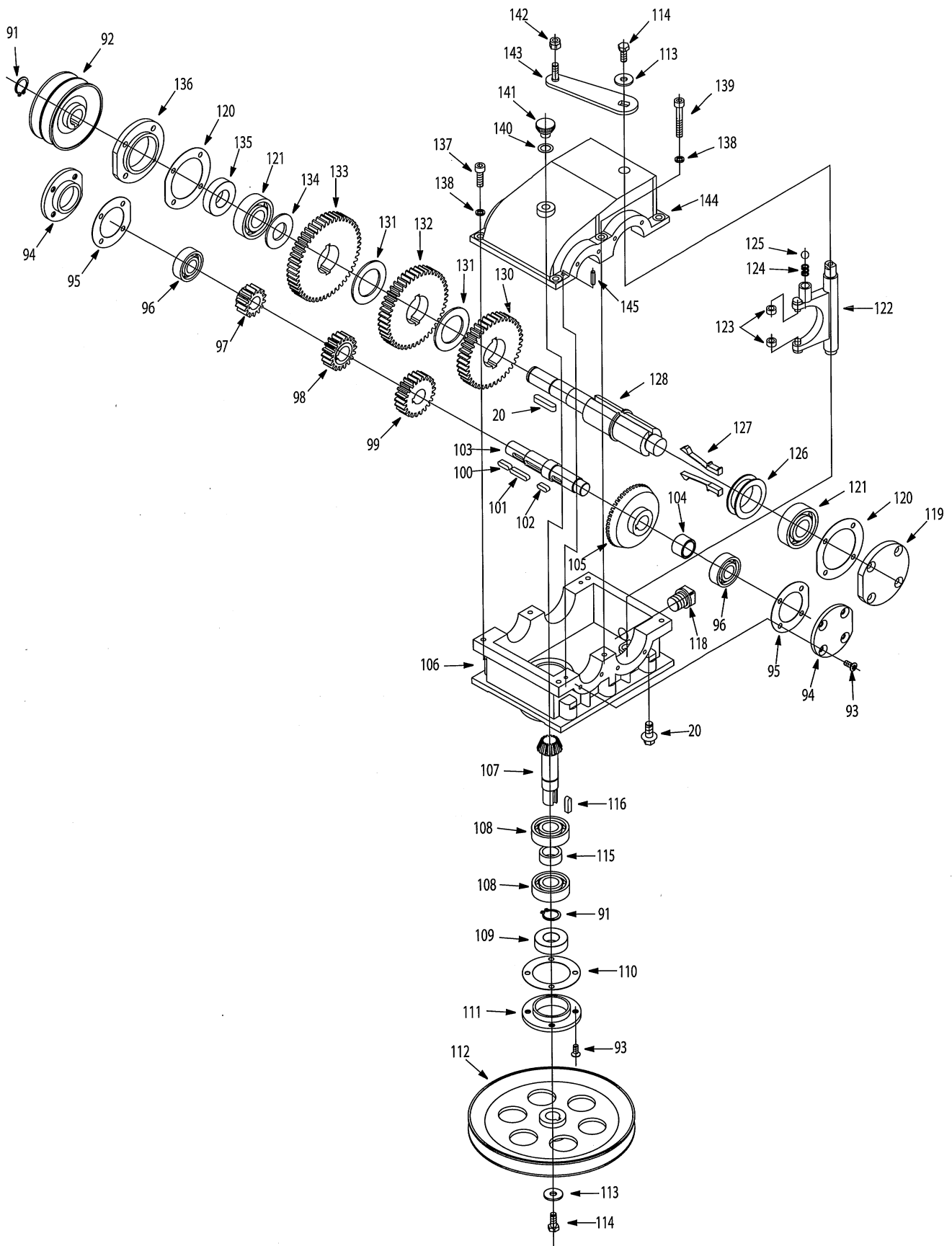
# Engine Frame Assembly

Ref.#	Part#	Description	Qty.	Ref.#	Part#	Description	Qty.	Ref.#	Part#	Description	Qty.
23	3300119	Nylon Insert Locknut5/16-18	13	256	3303050	Screw Cover	1	305	3303124	Compression Spring	1
24	3300128	Washer 8mm	17	258	3303005	Drive Idler Pulley Assembly	1	306	3303126	Height Adjusting Rocker	1
25	3300106	Flange Lock bolt 5/16-18x3/4	7	259	3303019	Spacer	1	307	3300179	Spring Pin 3x20mm	1
34	3300144	Snap Ring 12mm	2	260	3303030	Swivel	2	308	3303125	Spacer	1
45	3300122	Nylon Insert Locknut 3/8-16	3	261	3303047	Compression Spring	1	309	3303123	Height Adjusting Handle	1
47	3300108	Flange Lock bolt 5/16-18x1	2	262	3300150	Square Key C5x3x10mm	1	310	3303018	Spacer	1
51	3300130	Washer10mm	1	264	3303010	Axle Hanger,Right	1	311	3300181	Grease Fitting 45° M6mm	1
76	3302062	Oilite Bronze Bushing	2	265	3303004	Brake Spring	2	312	3303015	Rear Shield	1
114	3300101	Flange Lock bolt1/4-20x5/8	4	266	3303140	Right Brake Arm	1	313	3303151	Left Brake Arm	1
117	3300105	Flange Lock bolts1/6-18x5/8	6	267	3303141	Nylon Bushing	2	314	3303003	Axle Hanger,Left	1
142	3300115	Nylon Insert Locknut1/4-20	3	268	3300176	E-clip 8mm	2	315	3303021	Rod End Bearing, 1/4-20LH Female Thread	1
184	3300134	Cotter Pin1/8x5/8	8	269	3303002	Brake Band	2	316	3303093	Ground Drive Idler Pivot Arm	1
221	3300002	Transmission Drive Belt	1	270	3300175	E-clip 6mm	4	317	3303090	Ground Drive Idler Pulley	1
222	3304000	Transmission Assembly	1	271	3303006	Brake Linkage	2	318	3300159	Bearing 6202-2RS	1
224	3300005	Transmission Cover	1	273	3303045	Compression Spring	1	320	8015	Decal,Height Adjusting ,Rear	1
225	3300003	Wheel Drive Belt	2	274	3303027	Blade Engage Control Rod	1	322	8018	Decal, Model Plate (11PS)	1
226	3303008	Rod End Bearing, 1/4-20RH Female Thread	1	276	3303179	Belt Guide	1	324	8013	Decal, Height Adjusting,LH	1
227	3300116	Hex Nut1/4-20	1	277	3300195	Flange Lock bolt 5/16-18x1-3/4	4	331	8017	Decal, Warning Instruction	1
228	3303009	Shift Adjusting Screw	1	278	3303014	Height Adjusting Pad	2				
229	3300117	Hex Nut1/4-20LH	1	279	3300185	Internal Tooth Lock Washer 10mm	2				
231	3307031	Oil Drain Extension B&S Engine Only	1	280	3303049	Height Adjusting Bolt Assembly	2				
232	3307032	Oil Drain Plug B&S Engine Only	1	281	3300139	Spring Pin 5x30mm	7				
233	3303023	Nylon Bushing	1	282	3303033	Right Wheel Brake Arm	1				
234	3303034	Spacer	2	284	3303040	Control Shaft Pivot Bracket	2				
235	3303022	Shift Pivot Arm	1	285	3303039	Nylon Bushing	2				
236	3307005	Hex Hd Bolt7/16-20x1-1/4	1	286	3303029	Drive Linkage	1				
237	3300131	Split Lock Washer 12mm	1	287	3303016	Engine Pulley Belt Guide	1				
238	3307004	Spacer	1	288	3303035	Nylon Bushing	2				
239	3307003	Engine Drive Pulley	1	289	3303018	Extension Spring	1				
240	3307001	Spacer	1	290	3303028	Drive Lever,RH	1				
241	3307002	Square Key	1	291	3303036	Control Shaft	1				
242	3303043	Idler Spring	1	292	3300140	Spring Pin 5x70mm	1				
243	3303155	Drive Idler Arm	1	293	3303017	Oilite Bronze Bushing	1				
246	3303156	Transmission Drive Idler Pulley	1	294	3300136	Interlock Latch	1				
247	3300162	Bearing 6003-2RS	1	295	3300141	Clevis Pin B8x28mm	1				
248	3300148	Snap Ring 35mm	2	296	3300132	Washer 16mm	3				
249	3303018	Spacer	2	298	3300135	Cotter Pin1/8x3/4	1				
250	3303001	Engine Frame	1	299	3303024	Drive Engage Lever	1				
251	3303180	Rubber Cover	1	300	3303035	Nylon Bushing	2				
252	3303020	Height Adjusting Screw	1	301	3303038	Drive Lever,LH	1				
253	3303012	Height Adjusting Pivot	1	302	3303026	Extension Spring	1				
254	3303011	Connecting Rod	2	303	3303041	Left Wheel Brake Arm	1				
255	3303007	Square Nut M16mm	1	304	3300180	Spring Pin 3x16mm	1				



WORLD.

# Transmission Assembly

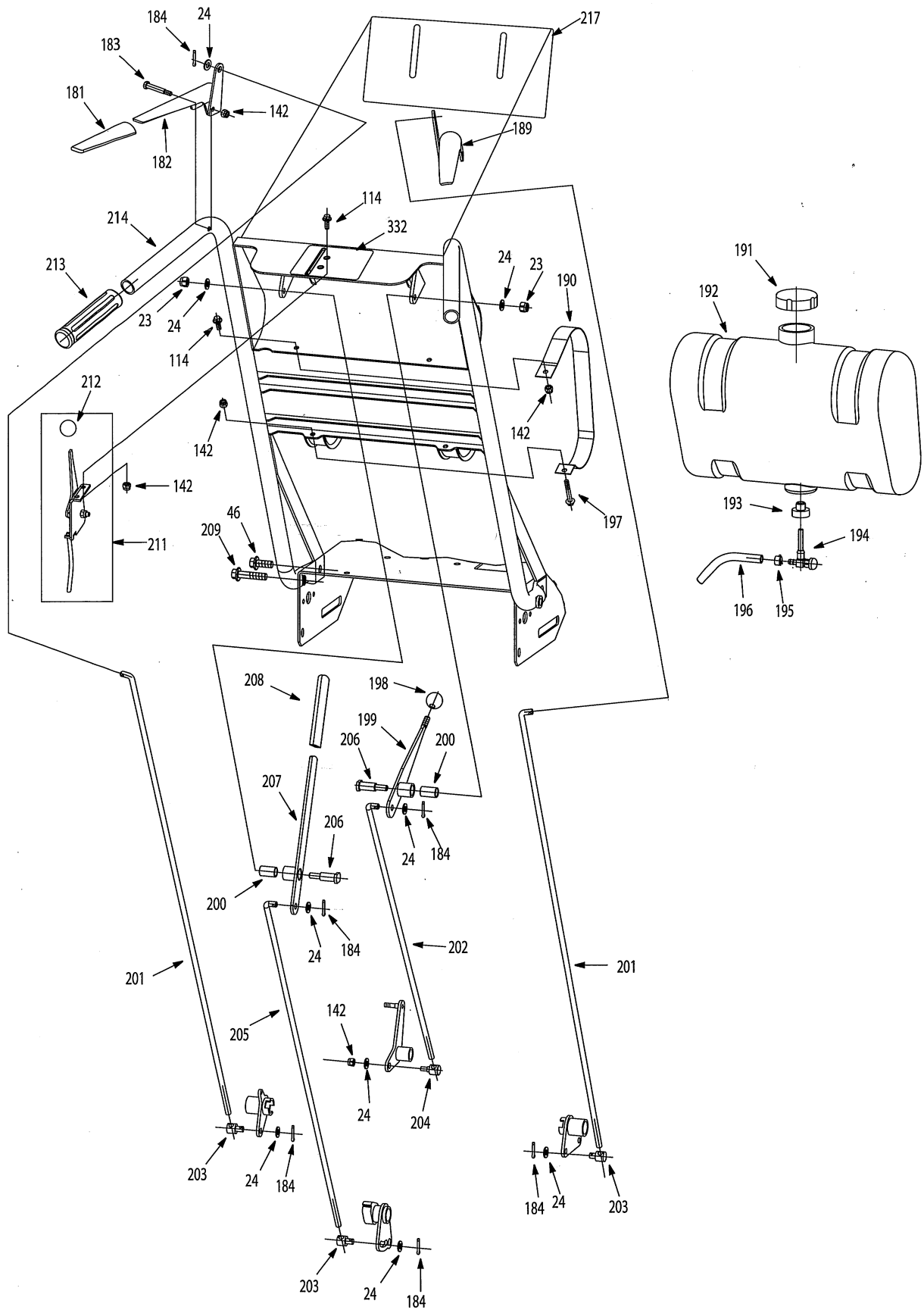




# Transmission Assembly

Ref.#	Part#	Description	Qty.	Ref.#	Part#	Description	Qty.
91	3300145	Snap Ring 17mm	2	119	3304022	Bearing Cover	1
92	3304018	Transmission Output Pulley	1	120	3304020	Seal Ring	2
93	3300124	Phillips 10-24x1/2	20	121	3300164	Bearing 6204	2
94	3304015	Bearing Cover-Countershaft	2	122	3304004	Shift Rod & Fork	1
95	3304016	Seal Ring	As Request	123	3304003	Roller	2
96	3300160	Bearing 6202	2	124	3304005	Detent Spring	1
97	3304038	Spur Gear, Countershaft 3rd	1	125	3300158	Detent Steel Ball,5/16 Dia	1
98	3304039	Spur Gear, Countershaft 2nd	1	126	3304051	Shift Spacer	1
99	3304040	Spur Gear, Countershaft 1st	1	127	3304052	Sliding Key	2
100	3300152	Square Key 5x16mm	1	128	3304017	Output Shaft	1
101	3300154	Square Key 5x25mm	1	129	3300156	Square Key 6x30mm	1
102	3300151	Square Key 5x14mm	1	130	3304050	Spur Gear, Output Shaft 1st	1
103	3304037	Countershaft	1	131	3304053	Washer	2
104	3304042	Spacer	1	132	3304049	Spur Gear, Output Shaft 2nd	1
105	3304041	Taper Ring Gear	1	133	3304048	Spur Gear, Output Shaft 3rd	1
106	3304001	Transmission Case-Bottom	1	134	3304054	Spacer	1
107	3304031	Input Pinion Shaft(with gear)	1	135	3300170	Oil Seal	1
108	3300161	Bearing 6203	2	136	3304019	Bearing Cover- Output	1
109	3300169	Oil Seal	1	137	3300187	Socket Hd Cap Screw 1/2-20x3/4	4
110	3304011	Input Shaft Seal Ring	1	138	3300127	Split Lock Washer 6mm	6
111	3304012	Input Shaft Bearing Cover	1	139	3300188	Socket Hd Cap Screw 1/2-20x1-1/2	2
112	3304013	Transmission Input Pulley	1	140	3304008	Seal Ring	1
113	3304044	Spacer	2	141	3304009	Filler/Breather Plug	1
114	3300186	Hex Bolt 1/4-20x5/8	1	142	3300115	Nylon Insert Locknut1/4-20	1
115	3304032	Spacer	1	143	3304006	Shift Arm	1
116	3300153	Square Key C5x18mm	1	144	3304002	Transmission Case-Top	1
117	3300105	Flange Lock bolt 5/16-18x5/8	6	145	3300136	Roll Pin 4x16mm	2
118	3304007	Oil Drain Plug	1				

# Handle Bar and Console Assembly



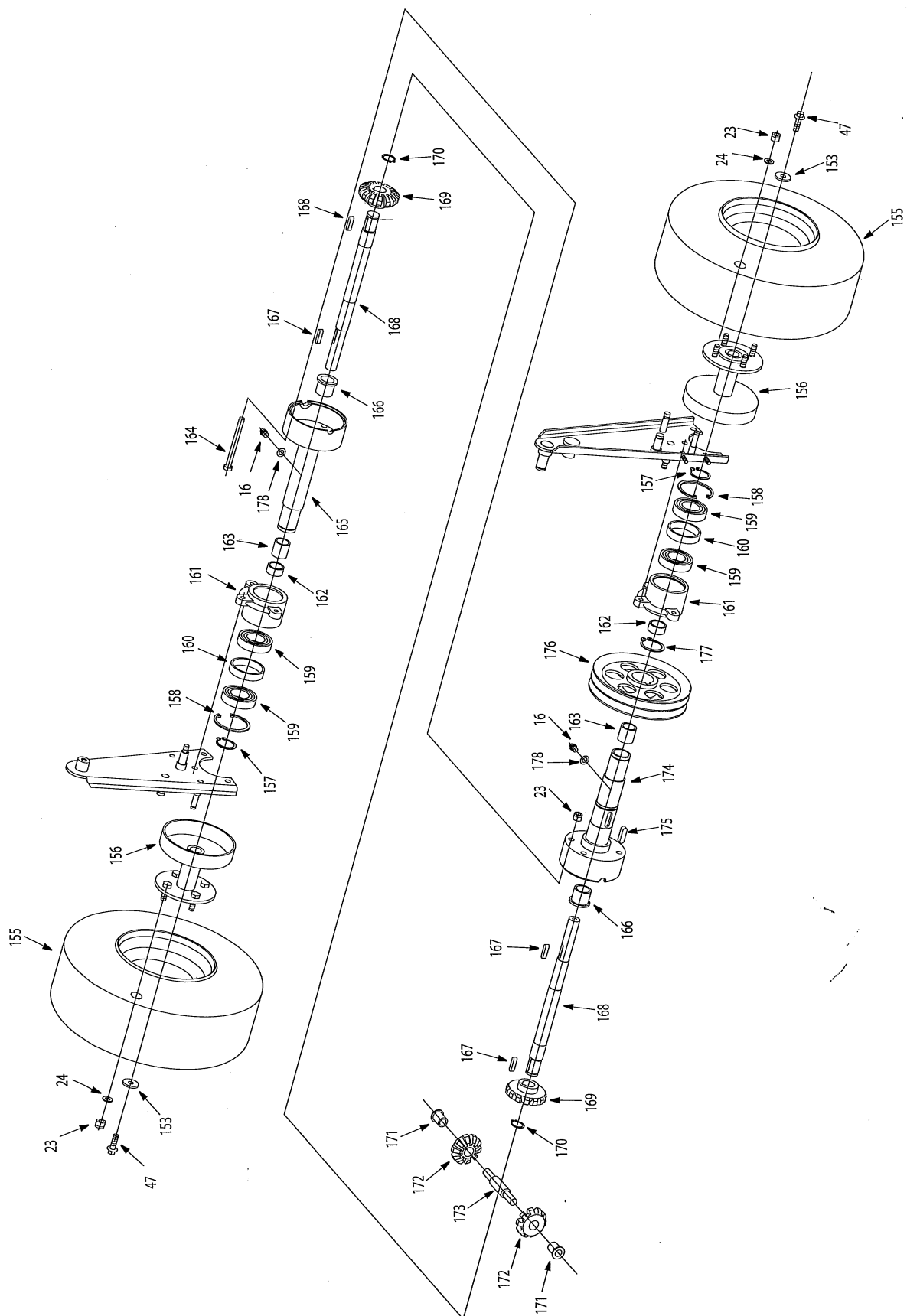


# Handle Bar and Console Assembly

Ref.#	Part#	Description	Qty.
23	3300119	Nylon Insert Locknut5/16-18.	2
24	3300128	Washer 8mm.	10
46	3300111	Flange Lock bolt 3/8-16x1	2
114	3300101	Flange Lock bolt1/4-20x5/8	4
142	3300115	Nylon Insert Locknut1/4-20.	8
181	3306006	Handle Grip	2
182	3306010	Left Operator Presence Control.	1
183	3300104	Hex Hd Shoulder Bolt1/4-20x1-3/4	2
184	3300134	Cotter Pin1/8x5/8	8
189	3306007	Right Operator Presence Control.	1
190	3306017	Fuel Tank Mounting Strap	2
191	3307021	Gas Cap	1
192	3307022	Fuel Tank	1
193	3307023	Fuel Tank Bushing.	1
194	3307024	Fuel Line Shut-off	1
195	3307025	Hose Clamp	2
196	3307026	Fuel Line	1
197	3300184	Flange Lock bolt1/4-20x1-3/4.	2
198	3300172	Black Knob,M8x25.	1

Ref.#	Part#	Description	Qty.
199	3306001	Gear Shift Lever	1
200	3303023	Nylon Bushing	2
201	3306008	Control Brake Rod	2
202	3306011	Shift Control Rod	1
203	3306016	Adjusting Nut.	3
204	3306015	Trunnion	1
205	3306014	Blade Control Rod	1
206	3306013	Shoulder Bolt.	2
207	3306003	Mower Blade Drive Lever	1
208	3306002	Handle Grip	1
209	3300112	Flange Lock bolt 3/8-16x1-3/4	2
211	3306004	Throttle Control Assembly	1
212	3306030	Knob	1
213	3306005	Handle Grip	1
214	3306009	Handlebar Assembly	1
216	8010	Decal, Instruction	1
217	8025	Decal, Worldlawn Power Equipment	1
332	8022	Throttle & Decal, Warning Instruction	1

# Differential and Drive Assembly





# Differential and Drive Assembly

Ref.#	Part#	Description	Qty.
16	3300168	Grease Fitting ,M8mm	2
23	3300119	Nylon Insert Locknut5/16-18	12
24	3300128	Washer 8mm	8
47	3300108	Flange Lock bolt 5/16-18x1	2
153	3303034	Spacer	2
155	3305001	Tire and Rim Assembly BC 2.812	2
156	3305002	Wheel Hub and Drum Assembly,BC2.812	2
157	3300147	Snap Ring 30mm	2
158	3300177	Snap Ring 55mm	2
159	3300166	Bearing 6006-2RS	4
160	3305014	Spacer	2
161	3305003	Axle Housing	2
162	3305013	Spacer	2
163	3305016	Oilite Bronze Bushing 20E8x25x25mm	2
164	3300110	Hex Hd Bolt5/16-18x3-1/2	4

Ref.#	Part#	Description	Qty.
165	3305010	Differential Axle Cover,LH	1
166	3305015	Oilite Bronze Bushing 22E8x27x25mm	2
167	3300155	Square Key 6x25mm	2
168	3305011	Axle Shaft	2
169	3305006	Bevel Gear	2
170	3300146	Snap Ring 20mm	2
171	3305007	Oilite Bronze Bushing	2
172	3305009	Spider Bevel Gear	2
173	3305008	Spider Axle	1
174	3305004	Differential Axle Cover,RH	1
175	3300157	Square Key 8x28mm	1
176	3305005	Differential Pulley	1
177	3300178	Snap Ring 36mm	1
178	3300129	Internal Tooth Lock Washer 8mm	2



**WORLD.**

**WORLDLAWN POWER EQUIPMENT, INC.**

Phone: (626) 934-8552

Fax: (626) 934-8162

**Toll Free Number: 1-866-9-mowers (1-866-966-9377)**

422 Turnbull Canyon Road

City of Industry, CA 91744 U.S.A.

Web Site: <http://www.worldlawnpower.com/>