

# Parts Catalog



**WORLDLAWN**<sup>®</sup>

# **WORLDLAWN**<sup>®</sup>

## **WY28T Lawn Mower**

**Worldlawn Power Equipment, Inc.**

**Industrial Park 2415 Ashland Ave. Beatrice, NE 68310**

**Toll Free Number: 1-800-267-4255**

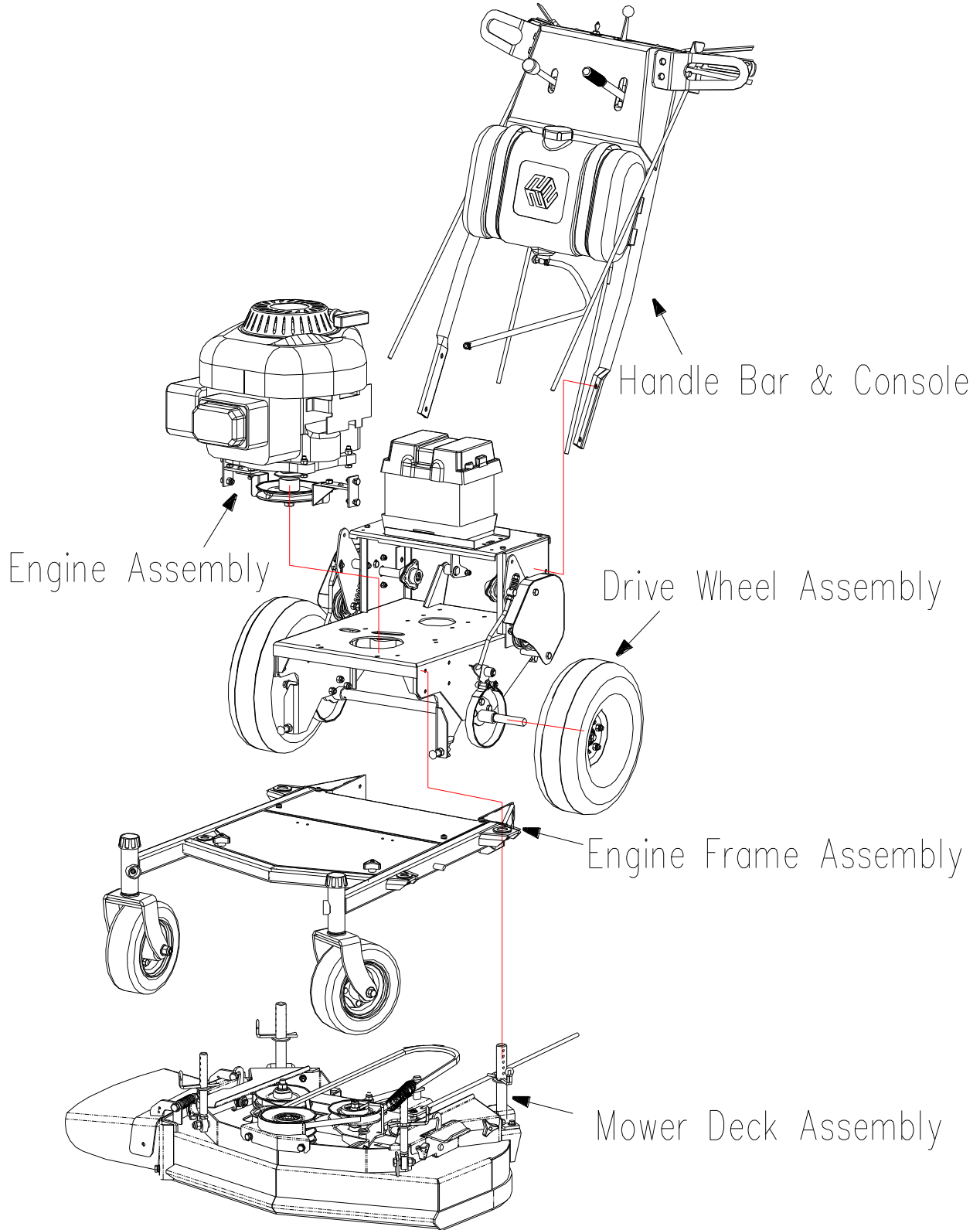


# Table of Contents

---

## Table of Contents

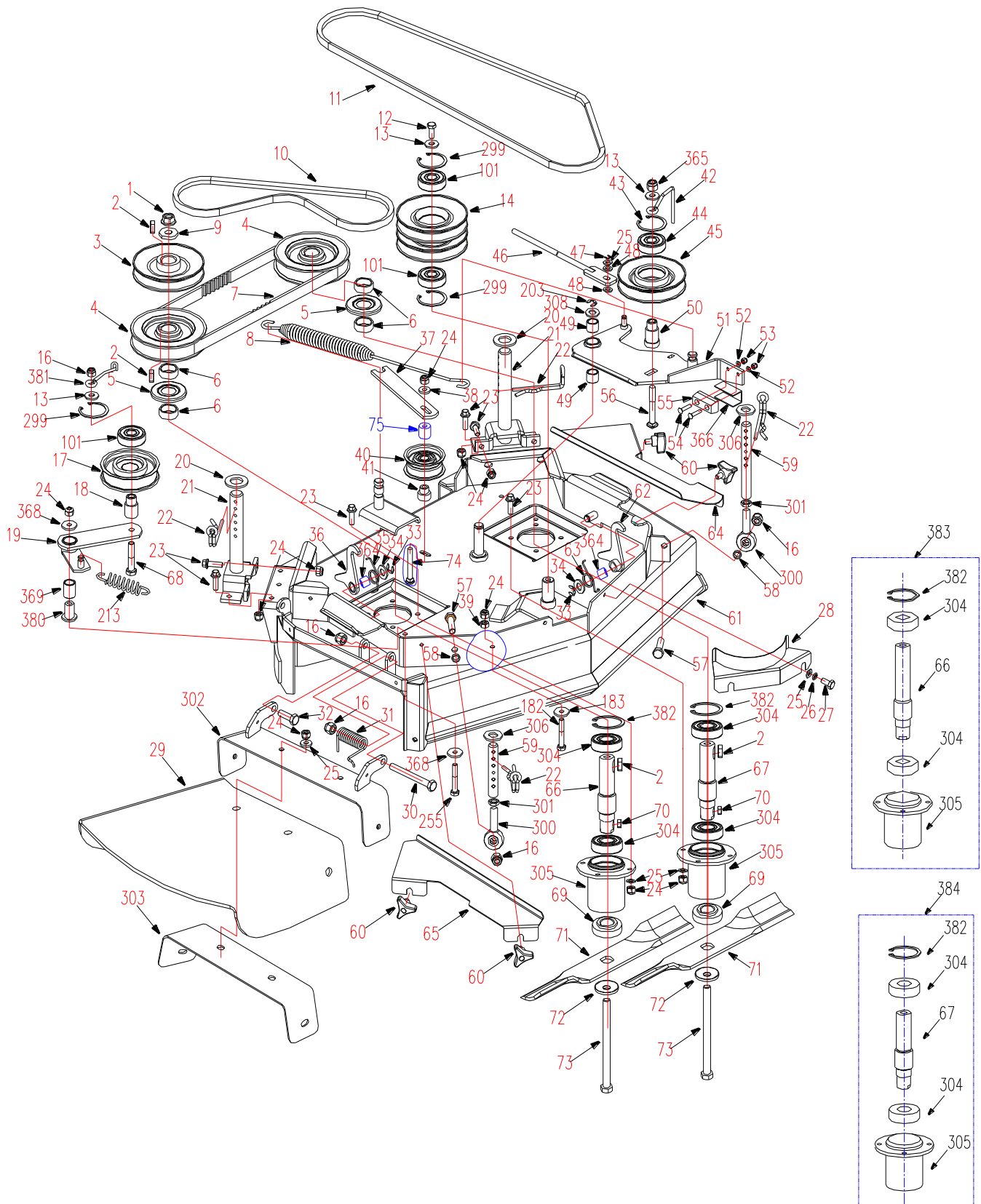
Mower Assembly.....	1
Mower Deck Assembly .....	2
Rear Frame Assembly.....	4
Engine Assembly .....	5
Transmission Assembly.....	6
Front Frame Assembly.....	8
Drive Wheel Assembly.....	9
Console Frame Assembly.....	10
Handle Bar and Console.....	12
Electrical Start-Up Wiring Harness .....	14
Recoil Start-Up Wiring Harness .....	15
Safety/Operation and Product Decals.....	16
Grass Catcher.....	18





WORLDLAWN®

# Mower Deck Assembly





WORLDLAWN®

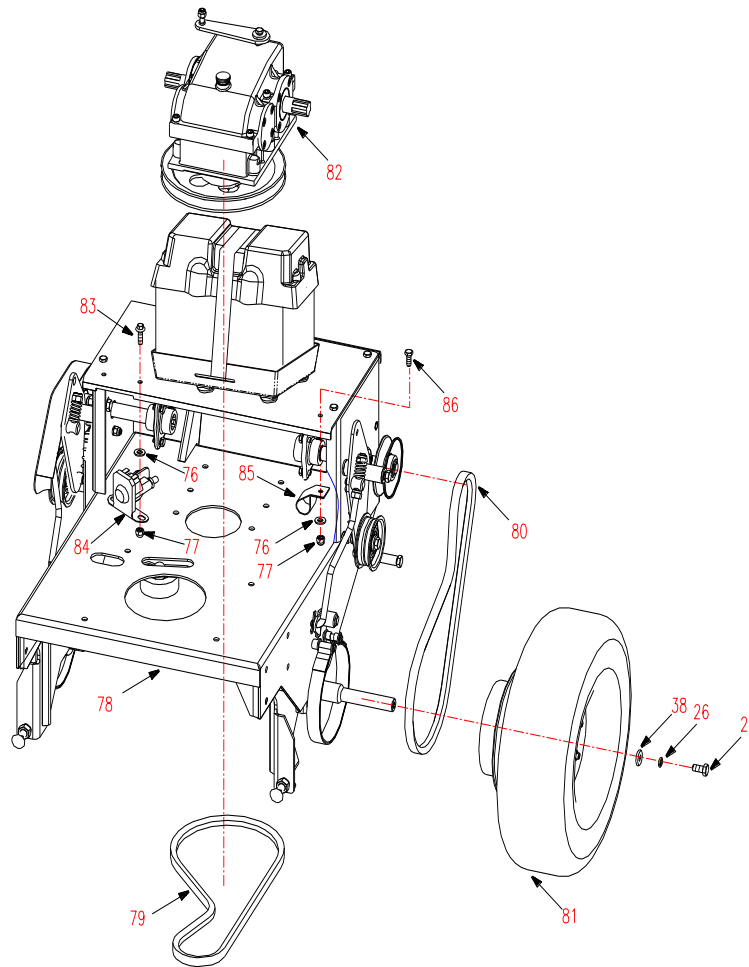
# Mower Deck Assembly

REF.	PART NO.	DESCRIPTION	WY28T	REF.	PART NO.	DESCRIPTION	WY28T
1	B6177-12	Nut M12	×	52	B97.1-5	Flat Washer M5	×
2	B1096-822	Square Key 8×22	×	53	B6182-5	Nut M5	×
3	2832058	Blade Belt Pulley	×	54	B819-525	Screw 5×25	×
4	2802011	Synchronous Pulley	×	55	2832046	Brake Pad	×
5	2802089	Bearing Dust Cover	×	56	B801-1065	Bolt M10×65	×
6	2802131	Bushing	×	57	B5782-1040	Bolt M10×40	×
7	2802010	Synchronous Belt	×	58	4801302	Bushing	×
8	2832006	Tension Spring	×	59	3202091	Front Column	×
9	3302009	Pressure Plate	×	60	3302190	Three-Arm Knob	×
10	2832002	Blade Drive Belt	×	61	2832015	Mower Deck Weldment	×
11	2832003	Blade Drive Belt	×	62	3202225	Right Hook	×
12	B5783-820	Bolt M8×20	×	63	3202017	Left Torsion Spring	×
13	3302058	Washer M10	×	64	2832005	Left Belt Cover	×
14	2832054	Belt Pulley Weldment	×	65	2832009	Right Belt Cover	×
16	B6182-10	Nut M10	×	66	2802047	Left Blade Spindle	×
17	3202165	Idler Pulley	×	67	2802049	Right Blade Spindle	×
18	2832122	Bushing	×	68	B5782-1050	Bolt M10×50	×
19	2832125	Idler Pulley Seat Weldment	×	69	2802018	Blade Coupling	×
20	3600005	Flat Washer 2	×	70	B1096-614	Square Key 6×14	×
21	3202250	Rear Column	×	71	2802016	Blade	×
22	4800007	Left Pin	×	72	3302008	Disc Spring Washer	×
23	B5787-825	Bolt M8×25	×	73	2802019	Right Blade Bolt	×
24	B6182-8	Locknut M8	×	74	B801-860	Bolt M8×60	×
25	B97.1-8	Flat Washer M8	×	75	363112	Bushing	×
26	B93-8	Split Lock Washer M8	×	101	B276-6204RS	Bearing 6204	×
27	B5783-816	Bolt M8×16	×	183	3303018	Washer	×
28	2832100	Front Belt Cover	×	203	B896-12	Snap Ring M12	×
29	3202121	Rubber Plate	×	213	3333068	Tension Spring	×
30	B5782-1090	Bolt M10×90	×	255	B5782-850	Bolt M8×50	×
31	3202001	Spring	×	299	B893.2-47	Snap Ring M47	×
32	B5783-1030	Bolt M10×30	×	300	B9163-JK10C	Bearing SABJK10C	×
33	B896-9	Snap Ring M9	×	301	B6172-10	Nut M10	×
34	B97.1-12	Washer 12	×	302	3202123	Outer Plate	×
35	3202018	Right Torsion Spring	×	303	3202122	Inner Plate	×
36	3202220	Left Hook	×	304	B276-6205RS	Bearing 6205-2RS	×
37	2832004	Supporting Plate	×	305	2802166	Bearing Housing	×
38	2800006	Spacer	×	306	3200008	Spacer	×
39	B6170-8	Locknut M8	×	308	3302095	Spacer	×
40	2802130B	Idler Pulley Assembly	×	364	3202024	Nylon Bushing	×
41	2802143	Bushing	×	365	DIN985-10	Nut M10	×
42	2832041	Belt Guard	×	366	2832047	Brake Pad Baffle	×
43	B93.1-47	Snap Ring 47	×	367	B5783-845	Bolt M8×45	×
44	B276-6303RS	Bearing 6303	×	368	3303034	Washer	×
45	2802070	Idler Pulley Weldment	×	369	B2685-162025	Bearing 16×20×25	×
46	2832115	Blade Control Rod	×	380	2832121	Bushing	×
47	B896-6	Snap Ring M6	×	381	2832043	Belt Guard	×
48	2832001	Nylon Washer	×	382	B893.2-52	Snap Ring 52	×
49	B2685-162016	Bearing 16×20×16	×	383	2802004	Left Spindle Assembly	×
50	2832042	Bushing	×	384	2802005	Outer Spindle Assembly	×
51	2832070	Driver Engage Lever Weldment	×				

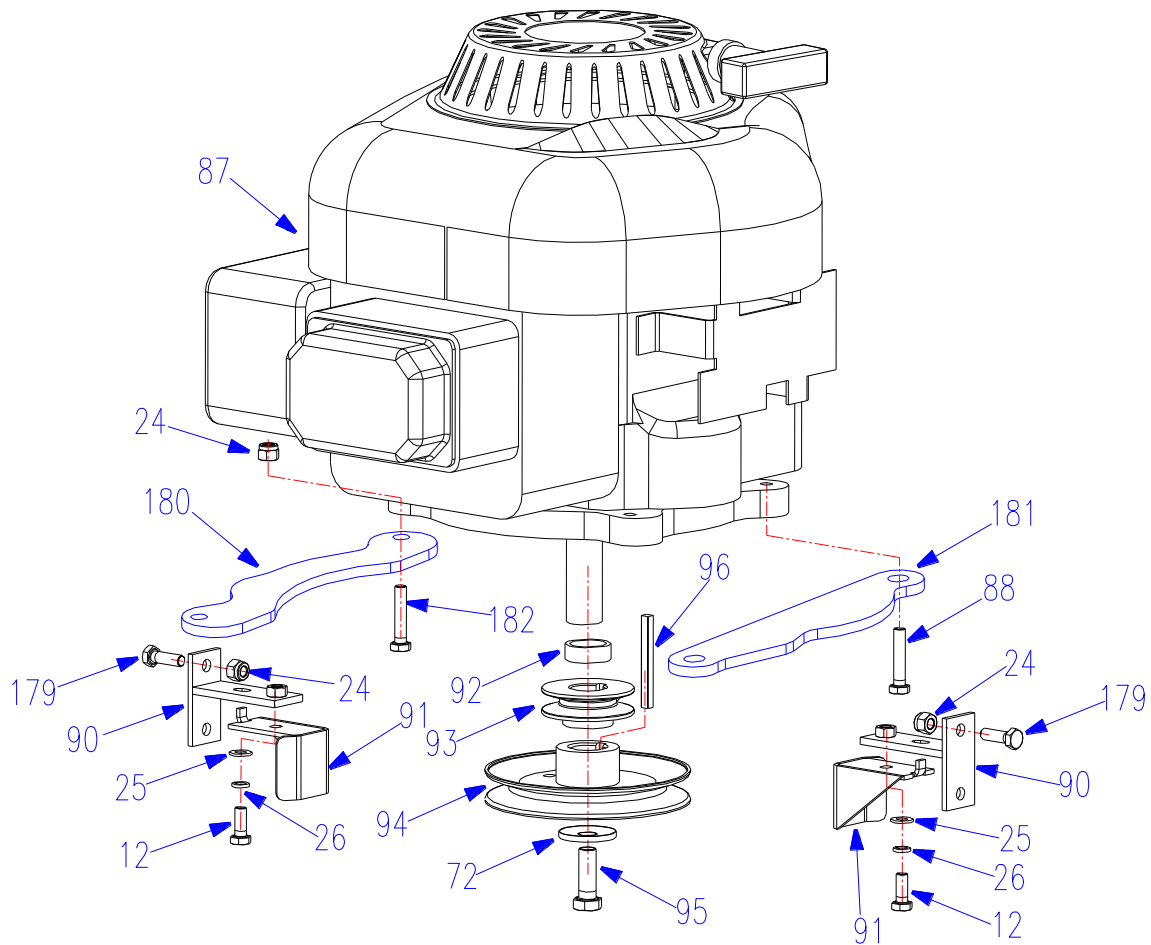


WORLDLAWN®

# Rear Frame Assembly



REF	PART NO.	DESCRIPTION	WY28T
26	B93-8	Split Lock Washer M8	×
27	B5783-816	Hex Hd. Bolt M8×16	×
38	2800006	Spacer	×
76	B97.1-6	Flat Washer M6	×
77	B6182-6	Locknut M6	×
78	3203000A	Rear Frame Assembly	×
79	3200001	Blade Drive Belt	×
80	3200002	Blade Drive Belt	×
81	3205000	Drive Wheel Assembly	×
82	3204000	Transmission Assembly	×
83	B5787-620	Hex Hd. Bolt M6×20	×
84	5208043	Start-Up Relay (B&S and Kawasaki)	×
85	2803055	Hose Clamp	×
86	B5783-616	Hex Hd. Bolt M6×16	×



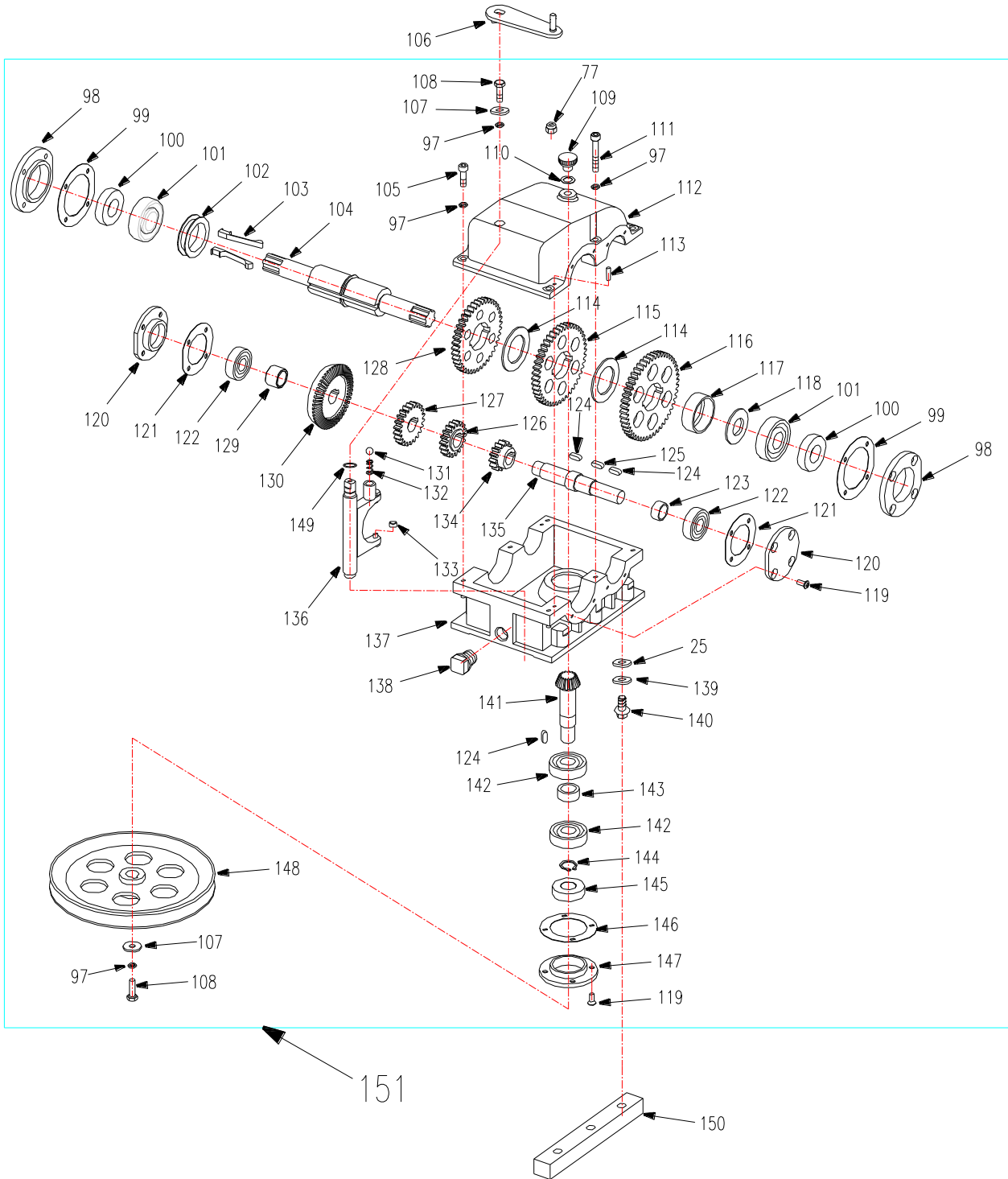
REF.	PART NO.	DESCRIPTION	WY28T
12	B5783-820	Bolt M8×20	×
24	B6182-8	Locknut M8	×
25	B97.1-8	Flat Washer M8	×
26	B93-8	Split Lock Washer M8	×
72	3302008	Disc Spring Washer	×
87	3300025	Engine(Recoil,BS11HP)	×
	3300026	Engine(Electric,BS11HP)	×
	3300035	Engine(Recoil,HD11HP)	×
88	B5783-840	Bolt M8×40(BS)	×
	2200020A	Long Bolt(Honda)	×
90	2837004	Guiding Pulley Mounting Bracket	×

REF.	PART NO.	DESCRIPTION	WY28T
91	2837009	Belt Guard Plate	×
92	3607002	Bushing(BS)	×
	3607002	Bushing(Honda)	×
93	3607009	Engine Belt Pulley	×
94	2837001	Engine Belt Pulley	×
95	3307005	Bolt 7/16-20UNF×1-1/4	×
96	3607004	Key	×
179	B5787-830	Bolt M8x30	×
180	2803080	Right Plate(Honda)	×
181	2803079	Left Plate(Honda)	×
182	B5783-845	Bolt M8x45(Honda)	×



WORLDLAWN®

# Transmission Assembly

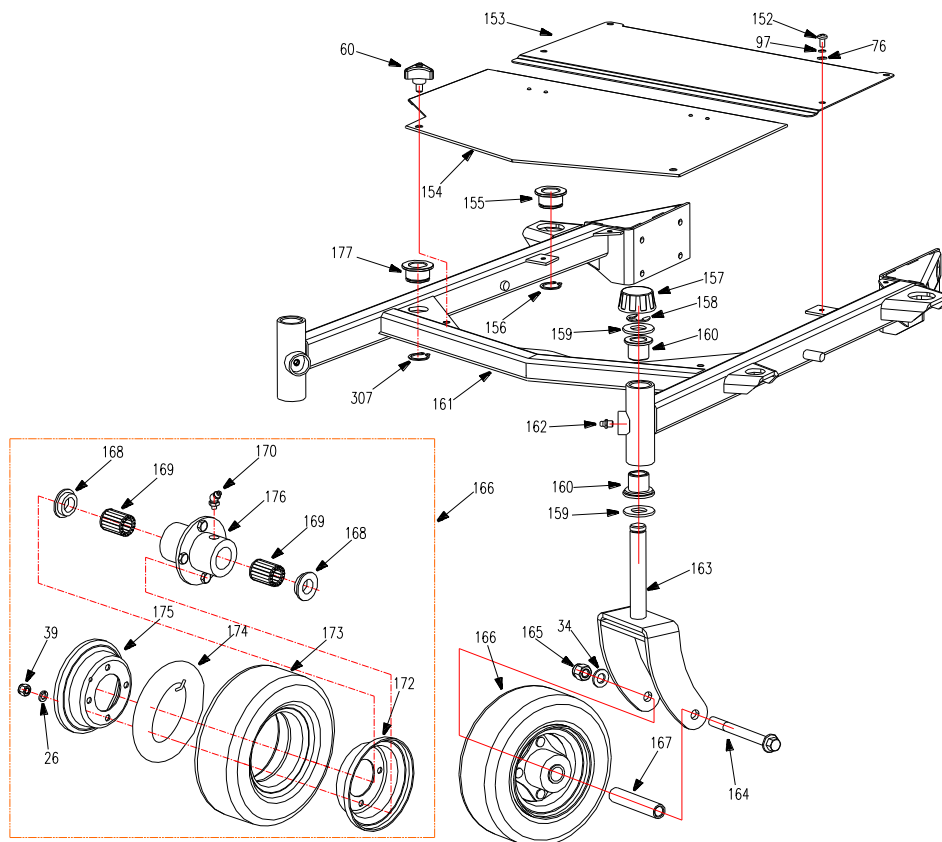




# Transmission Assembly

REF.	PART NO.	DESCRIPTION	WY28T	REF.	PART NO.	DESCRIPTION	WY28T
25	B97.1-8	Flat Washer M8	×	123	2804001	Shift Spacer	×
77	B6182-6	Locknut M6	×	124	B1096-514	Square Key 5×14	×
97	B93-6	Split Lock Washer M6	×	125	B1096-516	Square Key 5×16	×
98	3304019	Bearing Cover-Output	×	126	2804005	Medium Gear	×
99	3304020	Seal Ring	×	127	2804020	High Speed Gear	×
100	B9877.1-204010	Oil Seal FB 20×40×10B	×	128	2804009	High Speed Gear	×
101	B276-6204	Bearing 6204	×	129	3304042	Spacer	×
102	2804019	Shift Spacer	×	130	3304041U	Taper Ring Gear	×
103	2804016	Sliding Key	×	131	B308-5/16	Detent Steel Ball 5/16"	×
104	2804008	Output Shaft	×	132	2804038	Detent Spring	×
105	3300187	Screw 1/4-20×3/4	×	133	2804012	Roller	×
106	2804025	Shift Arm Weldment	×	134	2804006	Low Speed Gear	×
107	3304014	Washer	×	135	2804002	Countershaft	×
108	3300198	Bolt 1/4-20×3/4	×	136	2804013	Shift Rod & Fork	×
109	3304009	Filler/Breather Plug	×	137	3304001U	Transmission Case-Bottom	×
110	3304008	Seal Ring	×	138	3304007	Oil Drain Plug	×
111	3300188	Screw 1/4-20×1-5/8	×	139	B861.1-8	Internal Tooth Lock Washer M8	×
112	2804004	Transmission Case-Top	×	140	3300106	Hex Hd. Bolt 5/16-18×3/4	×
113	B117-416	Roll Pin 4×16	×	141	3304031U	Bevel Gear	×
114	3304053	Washer	×	142	3300161	Bearing 6203	×
115	2804007	Medium Gear	×	143	3304032	Spacer	×
116	2804017	Low Speed Gear	×	144	B894.1-17	Snap Ring M17	×
117	2804003	Shift Spacer	×	145	B9877.1-173510	Oil Seal FB 17×35×10B	×
118	3304054	Spacer	×	146	3304011	Input Shaft Seal Ring	×
119	3300124	Screw 10-24×1/2	×	147	3304012	Input Shaft Bearing Cover	×
120	3304015	Bearing Cover-Countershaft	×	148	3304013	Transmission Input Pulley	×
121	3304016	Seal Ring	×	149	B3452.1-8.75×1.8	O-Ring 8.75×1.8	×
122	B276-6202	Bearing 6202	×	150	3204001	Plate	×
				151	AS28005	Transmission Assembly	×

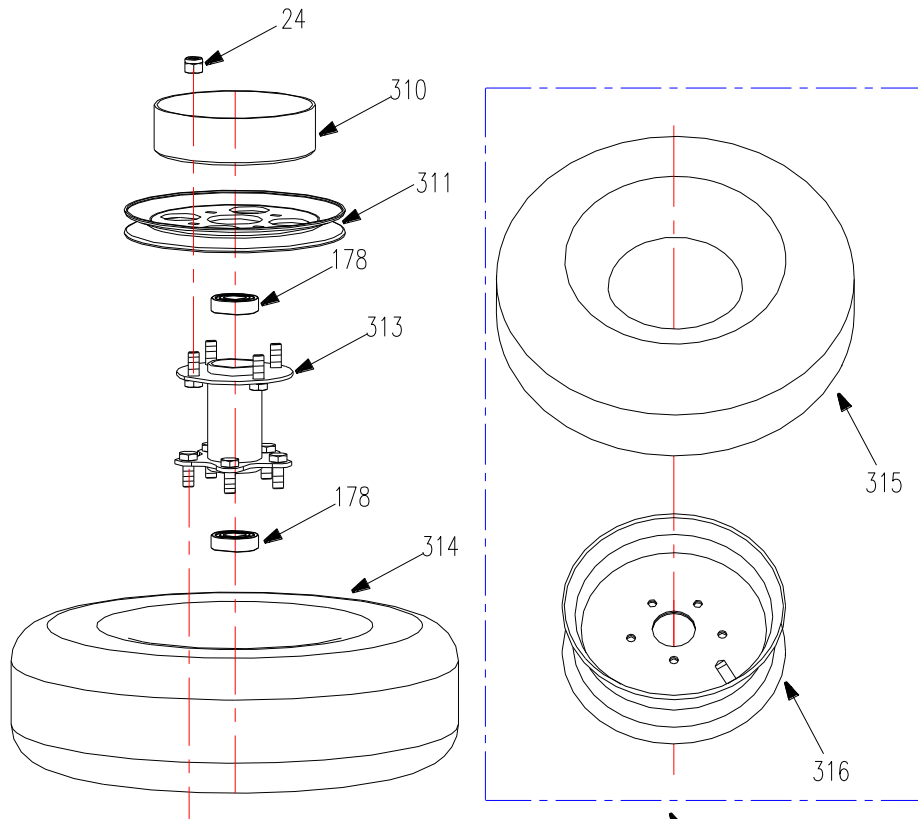
# Front Frame Assembly



REF.	PART NO.	DESCRIPTION	WY28T
26	B93-8	Split Lock Washer M8	×
34	B97.1-12	Washer 12	×
39	B6170-8	Locknut M8	×
60	3302190	Three-Arm Knob	×
76	B97.1-6	Flat Washer M6	×
97	B93-6	Split Lock Washer M6	×
152	B818-612	Screw M6×12	×
153	2831018	Rear Shield	×
154	2831020	Front Cover Plate	×
155	3201003	Bushing 2	×
156	B894.1-30	Snap Ring 30	×
157	3200011	Cover	×
158	B896-15	Snap Ring 15	×
159	3201005	Flat Washer	×
160	3301003	Bushing	×
161	2831001	Front Frame Weldment	×

REF.	PART NO.	DESCRIPTION	WY28T
162	B1152-8	Grease Fitting M8	×
163	3201010	Caster Wheel Yoke	×
164	B5787-1220	Bolt M12×20	×
165	B6182-12	Nut M12	×
166	3301050	Caster Wheel ( 8 " ×3 " )	×
167	3301004	Caster Wheel Spindle	×
168	3331008	Bushing	×
169	3301053	Bearing	×
170	3301055	Grease Fitting 45 M6×1	×
172	3301051	Left Wheel Disc	×
173	3301052	Drive Wheel Tubeless Tire	×
174	3301057	Inner Tyre	×
175	3301056	Right Wheel Disc	×
176	3301054	Wheel Hub	×
177	3201004	Spacer 1	×
307	B894.1-24	Snap Ring 24	×

# Drive Wheel Assembly

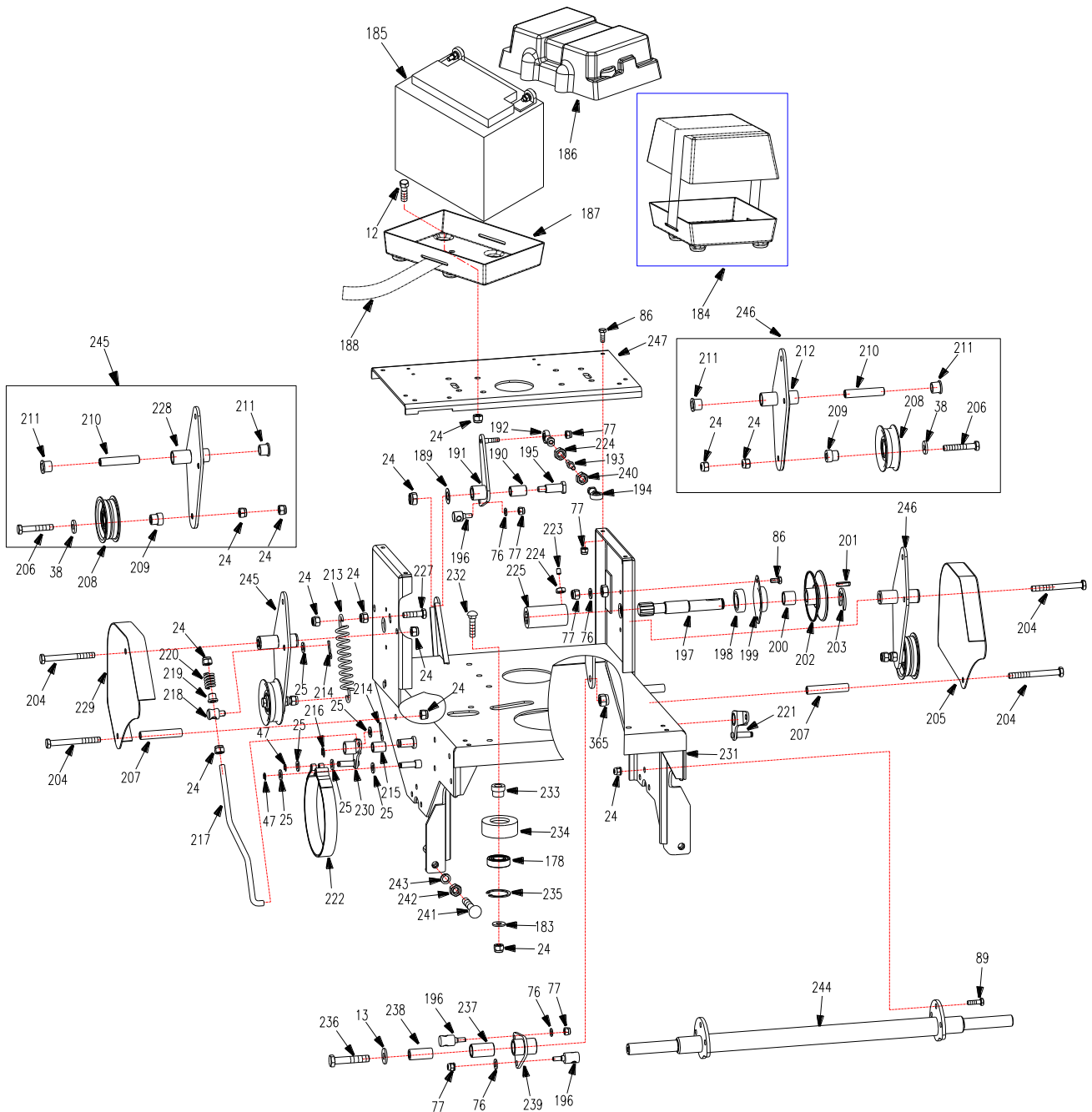


REF.	PART NO.	DESCRIPTION	WY28T
24	B6182-8	Locknut M8	×
310	2805003	Brake Drum	×
311	2805002	Wheel Drive Pulley	×
178	B276-6003RS	Bearing 6003-2RS	×
313	3205010	Wheel Hub Weldment	×
314	2805012	Drive Tire & Rim Assembly	×
315	2805014	Drive Wheel Tubeless Tire	×
316	2805013	Drive Wheel Rim	×



WORLDLAWN®

# Cosole Frame Assembly



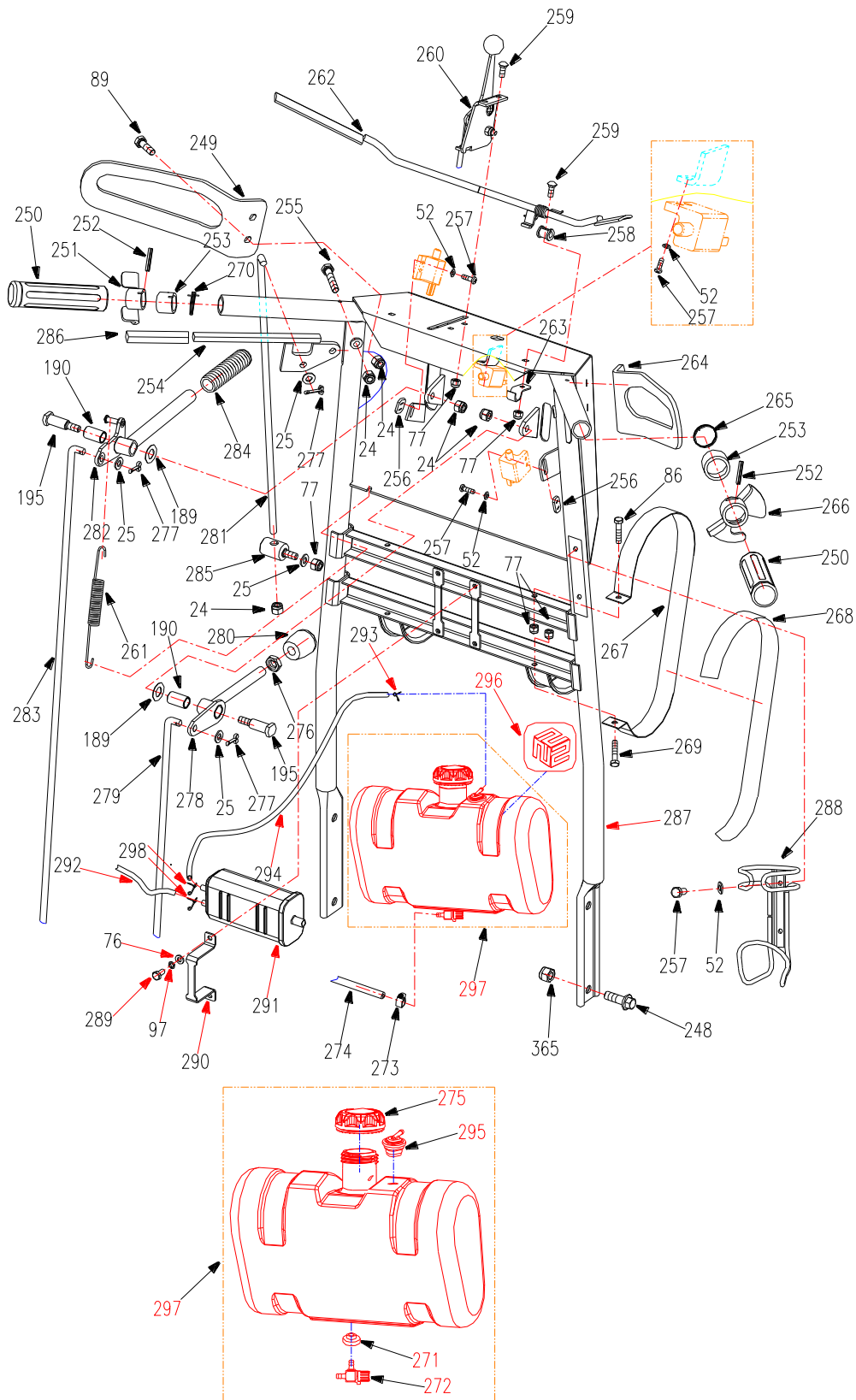
# Console Frame Assembly

REF.	PART NO.	DESCRIPTION	WY28T
12	B5783-820	Bolt M8×20	×
13	3302058	Washer M10	×
24	B6182-8	Locknut M8	×
25	B97.1-8	Flat Washer M8	×
38	2800006	Spacer	×
47	B896-6	Snap Ring M6	×
76	B97.1-6	Flat Washer M6	×
77	B6182-6	Locknut M6	×
86	B5783-616	Hex Hd. Bolt M6×16	×
89	B5783-825	Hex Hd. Bolt M8×25	×
97	B93-6	Split Lock Washer M6	×
178	B276-6003RS	Bearing 6003-2RS	×
183	3303018	Washer	×
184	3603180	Battery Hood Assembly	×
185	5208002	Battery 12V	×
186	363345-1	Upper Cover Plate	×
187	363345-2	Bottom Base Plate	×
188	363349	Strap	×
189	2806061	Disc Spring Washer	×
190	3303023	Bushing	×
191	2803007	Shift Pivot Arm Weldment	×
192	3303008	Rod End Bearing M6	×
193	2803006	Screw	×
194	3303021	Rod End Bearing M6, Levo	×
195	2806055	Axis Pin	×
196	3306015	Rod Connector	×
197	3203009	Output Shaft	×
198	99502H	Bearing 99502H-2RS	×
199	2800011	Bearing Housing	×
200	2800013	Bushing	×
201	B1096-522	Square Key 5×22	×
202	2800010	Wheel Drive Pulley Weldment	×
203	B896-12	Snap Ring M12	×
204	B5782-880	Bolt M8×80	×
205	3203080	Left Safety Guard	×
206	B5783-850	Hex Hd. Bolt M8×50	×
207	3203006	Bushing	×
208	2800034	Idler Pulley Assembly	×
209	2800035	Bushing	×

REF.	PART NO.	DESCRIPTION	WY28T
210	2800032	Bushing	×
211	2800033	Olite Bronze Bearing	×
212	3203121	Idler Bracket Weldment, LH	×
213	3333068	Tension Spring	×
214	XSZ56-1-17	Pin	×
215	3303141	Nylon Bushing	×
216	B896-8	Snap Ring 8	×
217	3203010	Brake Lever	×
218	3203011	Swivel Joint	×
219	2806010	Bushing	×
220	2800017	Compression Spring	×
221	2803008	Brake Lever Weldment, Left	×
222	3303002	Brake Band	×
223	B77-610	Screw M6×10	×
224	B6172-6	Nut M6	×
225	2800008	Coupling	×
227	B5783-830	Bolt M8×30	×
228	3203111	Idler Bracket Weldment, RH	×
229	3203085	Right Safety Guard	×
230	2803012	Brake Lever Weldment, Right	×
231	3203185	Rear Engine Frame Weldment	×
232	B12-835	Bolt M8×35	×
233	3203007	Bushing	×
234	2803011	Idler Pulley	×
235	B893.1-35	Snap Ring 35	×
236	B5782-1055	Bolt M10×55	×
237	3303037	Bushing	×
238	2803016	Bushing	×
239	3203138	Driver Engage Lever Weldment	×
240	B6172-6L	Nut M6, Levo	×
241	3603014	Rod End Bolt	×
242	B6170-10	Nut M10	×
243	B93-10	Spacer 10	×
244	3203075	Axle Weldment	×
245	3203110	Right Idler Pulley Assembly	×
246	3203120	Left Idler Pulley Assembly	×
247	3203012	Canister Bracket	×
365	B6182-10	Nut M10	×
16	B6182-10	Nut M10	×



# Handle Bar and Console



# Handle Bar and Console

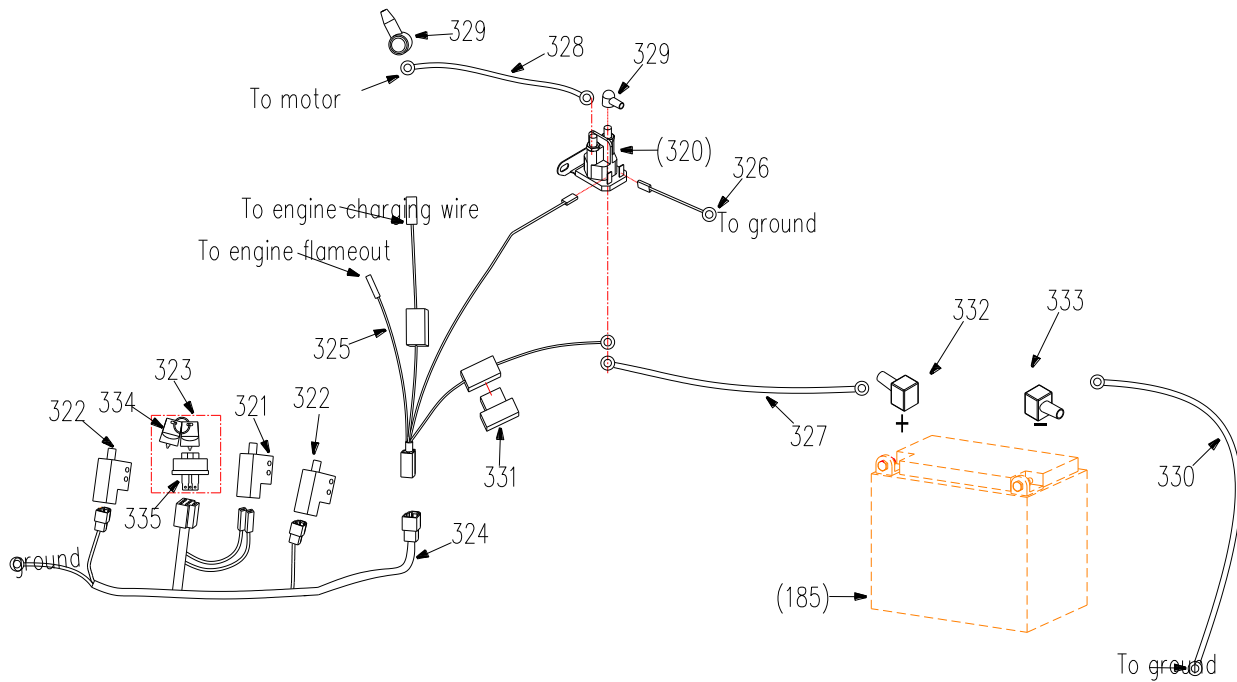
REF.	PART NO.	DESCRIPTION	WY28T
24	B6182-8	Locknut M8	×
25	B97.1-8	Flat Washer M8	×
52	B97.1-5	Washer 5	×
76	B97.1-6	Washer 6	×
77	B6182-6	Locknut M6	×
86	B5783-616	Hex Hd. Bolt M6×16	×
89	B5783-825	Hex Hd. Bolt M8×25	×
97	B93-6	Split Lock Washer M6	×
189	2806061	Disc Spring Washer	×
190	3303023	Nylon Bushing	×
195	2806055	Axis Pin	×
248	B5787-1025	Bolt M10×25	×
249	3206014	Left guard plate	×
250	3306005	Handle Grip	×
251	3206020	Left Adjustment Pedestal	×
252	B879-530	Elastic Cylindrical Pin 5×30	×
253	3206033	Spacer	×
254	3206090	Steering Handle	×
255	B5782-850	Hex Hd. Bolt M8×50	×
256	5208103	Nut Plate	×
257	B823-516	Screw M5×16	×
258	3206005	Nylon Bushing	×
259	B801-616	Screw M6×16	×
260	3306004	Throttle Control Assembly (B&S)	×
	2806005	Throttle Control Assembly(HONDA)	×
261	2836001	Tension spring	×
262	3206040	Flameout Handle	×
263	3206004A	Nylon Bushing Pedestal	×
264	3206013	Right guard plate	×
265	3206011	Right torsion spring	×
266	3206030	Right Adjustment Pedestal	×
267	3206012	Fuel Tank Mounting Strap	×

REF.	PART NO.	DESCRIPTION	WY28T
268	3306081	Rubber Strap(with glue)	×
269	B5783-630	Bolt M6×30	×
270	3206010	Left torsion spring	×
271	3307023B	Fuel Tank Grommet	×
272	393044	Right -angle Switch Valve	×
273	B8870-16	Hose Clamp	×
274	2807005E	Fuel Line	×
275	3307032	Gas Cap	×
276	B6172-12	Nut M12	×
277	B91-3220	Pin 3.2×20	×
278	3206080	Gear Shift Lever	×
279	3206006	Shift Control Rod	×
280	B4141.13-1240	Elliptical Ball Knob 12×40	×
281	3206008	Brake Control Rod	×
282	2836015	Handle Grip	×
283	2836002	Blade Engage Control Rod	×
284	5206012	Brake Handle Sheath	×
285	3306015	Swivel Joint	×
286	2806097	Steering Handle Sheath	×
287	2836010	Handlebar Weldment	×
288	2806090	Cup Holder	×
289	B5783-612	Bolt M6×12	×
290	3206112	Canister Bracket	×
291	3206114	Carbon Canister	×
292	3206018	Fuel Line	×
293	3307041	Clamp	×
294	2807032	Fuel Line	×
295	543283	Vent Valve Assembly	×
296	8378	Decal, Fuel Tank	×
297	2807035	Fuel Tank Assembly	×
298	17242-1P68FS-0000	Hose Clamp	×
16	B6182-10	Nut M10	×



WORLDLAWN®

# Electrical Start-up Wiring Harness

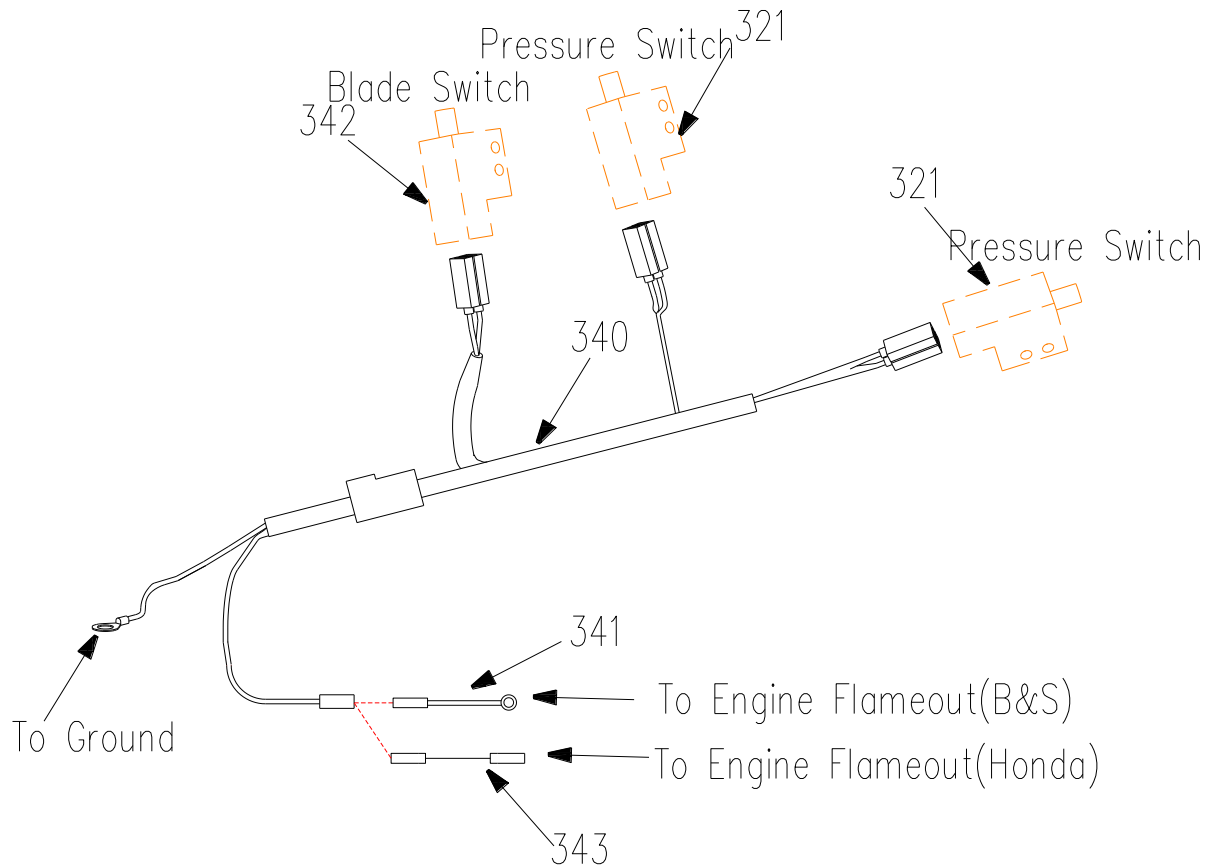


REF.	PART NO.	DESCRIPTION	WY28T
185	5208002	12V Battery	×
320	2808105	Start-Up Relay (B&S)	×
321	5208012	Pressure Switch	×
322	5208015	Brake Switch	×
323	2808140	Ignition Switch	×
324	3208022	Wiring Harness, Handle (B&S 11HP, Honda 11HP)	×
325	3208024	Wiring Harness, Console (B&S 11HP)	×
	2808135	Wiring Harness, Console (Honda 11HP)	×
326	3208053	Ground Wire	×

REF.	PART NO.	DESCRIPTION	WY28T
327	3609003	Positive Cable	×
328	2808106	Power Wire (B&S)	×
329	2808107	Terminal Insulator	×
330	5208013	Negative Cable	×
331	3208043	Fuse 7.5A	×
332	3312032	Battery Boot (Positive)	×
333	3312031	Battery Boot (Negative)	×
334	5208072	Ignition key	×
335	2808141	Ignition Switch	×



# Recoil Start-up Wiring Harness



REF.	PART NO.	DESCRIPTION	WY28T
321	5208012	Pressure Switch	×
340	3208001	Wiring Harness	×
341	2808014	Engine Flameout Wiring Harness (B&S)	×
342	2808005	Blade Switch	×
343	2808016	Connector, two way(Honda)	×




WORLDLAWN®

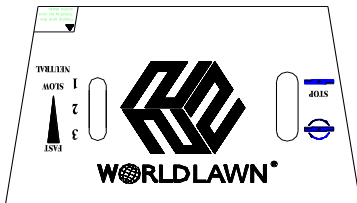
# Safety/Operation and Product Decals

**WARNING**

Do not hang the hook on the front frame when in transportation and moving or could result in damage to machine.




350



353

**WARNING**

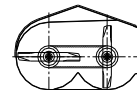
Do not hang the hook on the front frame when in transportation and moving or could result in damage to machine.



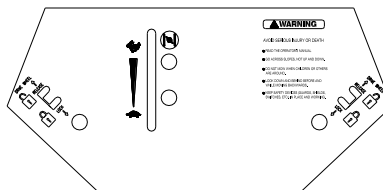
351

**CAUTION**

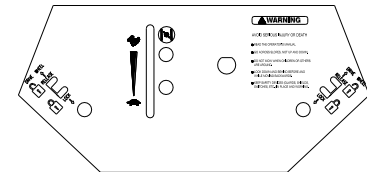
Be sure the both blades must be perpendicular to each other while installing otherwise could result in serious mower damage.



352



354



355

**WARNING**  
OBJECTS MAY BE THROWN FROM MOWER

**WARNING**  
MAXIMUM SAFE OPERATING ANGLE IS 15°

- Exceeding maximum safe operating angle may cause flipping or loss of footing.
- Do not mow on wet slopes.
- Mow across slopes, not up and down.

356

Worldlawn Power Equipment

MODEL	SERIAL
	P

MADE IN CHINA

357

EMISSION CONTROL INFORMATION  
JIANGSU WORLD PLANT-PROTECTING MACHINERY CO.,LTD  
THIS EQUIPMENT MEETS U.S. EPA EVAP STANDARDS  
EQUIPMENT FAMILY NAME:BJWPPNHEQ001

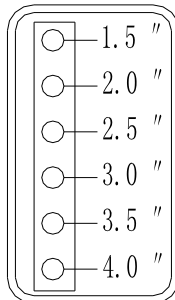
358

**CAUTION**

TO REDUCE THE RISK OF INJURY DO NOT OPERATE MOWER UNLESS THIS GUARD IS IN ITS PROPER PLACE



359



360

**DANGER**

SPINNING BLADE  
KEEP CLEAR  
CONTACT CAN INJURE



361



362



363



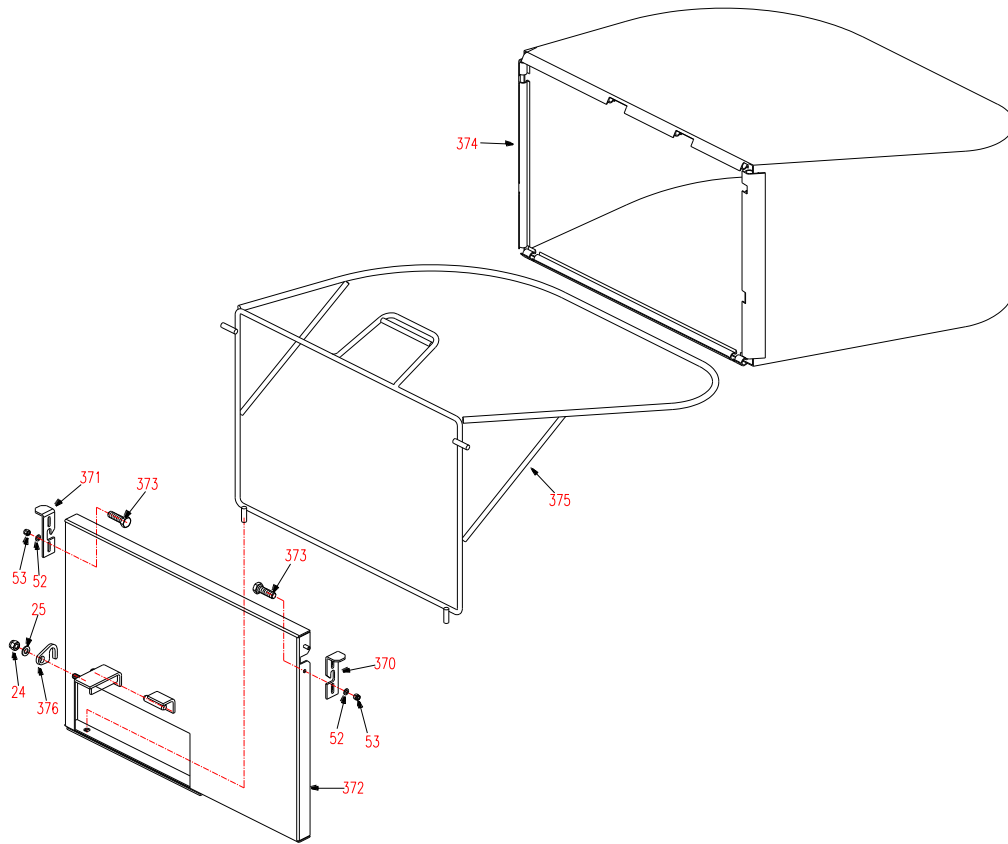
WORLDLAWN®

## Safety/Operation and Product Decals

---

REF	PART NO.	DESCRIPTION	WY28T
350	8932	Decal, Warning	×
351	8931	Decal, Warning	×
352	8070	Decal, Caution Blade Installation	×
353	8379	Decal, Speed Selector/Blade Control	×
354	8928	Decal, Throttle/Choke & Warning	×
355	8930	Decal, Throttle/Choke & Warning	×
356	8904	Decal, Warning Objects Thrown	×
357	8046	Serial Number Plate	×
358	8601	EPA Decal	×
359	8045	Decal, Caution Guard	×
360	8988	Decal, Cutting Height	×
361	8413	Decal, Danger Keep Clear	×
362	8989	Decal, 28"	×
363	8984	Decal, Worldlawn	×

# Grass Catcher (2832200)



REF	PART NO.	DESCRIPTION	WY28T
24	B6182-8	Locknut M8	×
25	B97.1-8	Flat Washer M8	×
53	B6182-5	Locknut M5	×
52	B97.1-5	Flat Washer M5	×
370	2802203	Grass Catcher Latch, RH	×
371	2802202	Grass Catcher Latch, LH	×
372	2832210	Grass Catcher Mount Weldment	×
373	B823-520	Screw M5×20	×
374	2832220	Grass Catcher Bag	×
375	2802220	Grass Catcher Wire Frame	×
376	3202311	Buckle	×



**WORLDLAWN®**

**Worldlawn Power Equipment, Inc.**

Industrial Park 2415 Ashland Ave. Beatrice, NE 68310

Phone: (402) 228-4255

Fax: (402) 223-4103

[www.worldlawnpowerequipment.com](http://www.worldlawnpowerequipment.com)