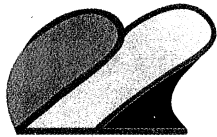


# Parts Catalog

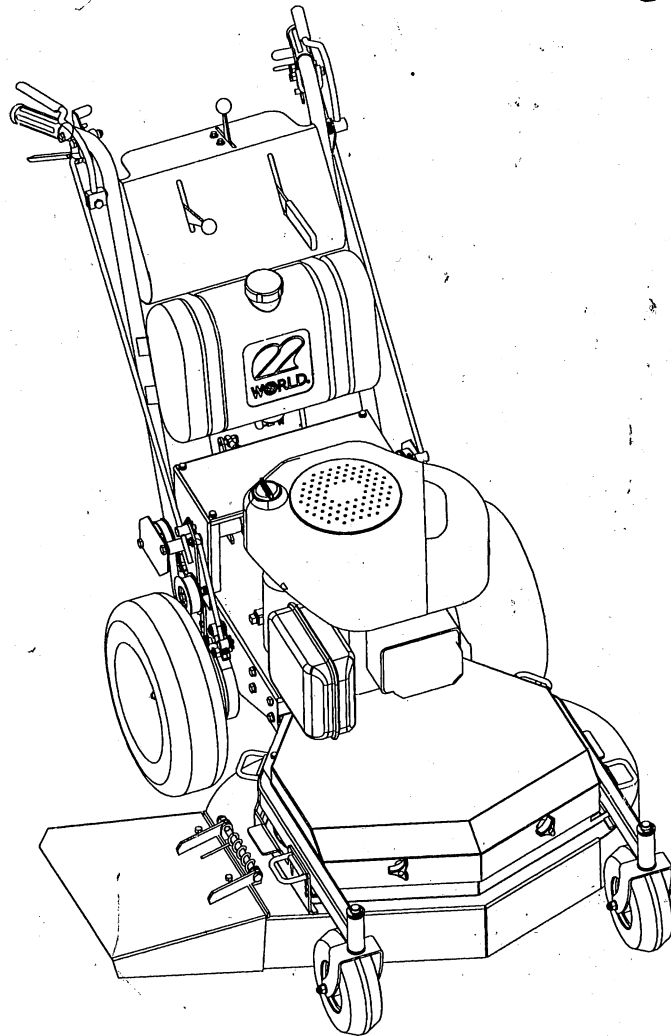


WORLD<sup>®</sup>

**WORL DLAWN<sup>®</sup>**

**Residential 28" Mower**

2005



44  
612  
1371

**Worldlawn Power Equipment, Inc.**

**422 Turnbull Canyon Road City of Industry CA 91744**

**Toll Free Number: 1-866-9-Mowers (1-866-966-9377)**

# CONTENT

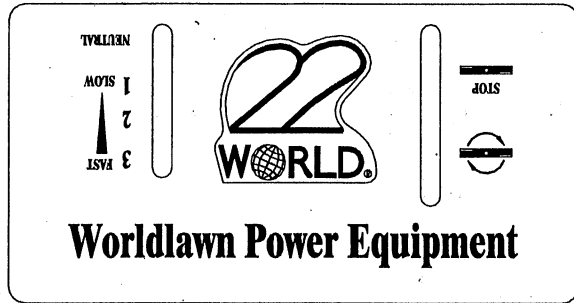
---



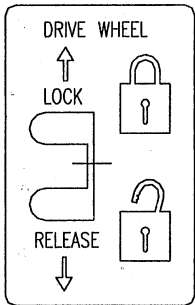
Label .....	1
Mower Assembly .....	2
Caster Assembly .....	3
Cutter Deck .....	4-5
Engine Frame Assembly .....	6-7
Transmission Assembly .....	8-9
Handle Bar & Console .....	10-11
Drive wheel Assembly .....	12
Wiring Harness.....	13



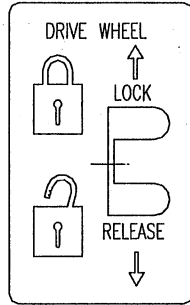
111



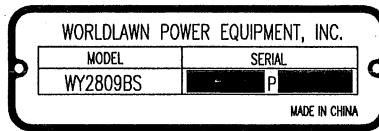
348



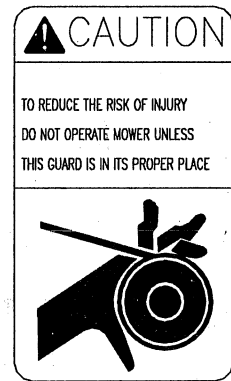
346



349



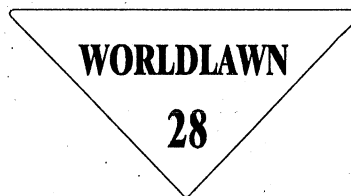
197



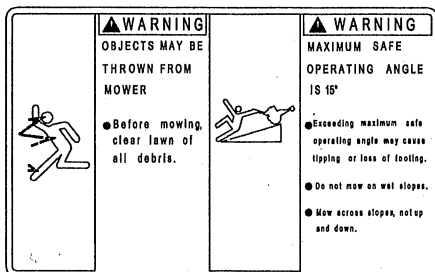
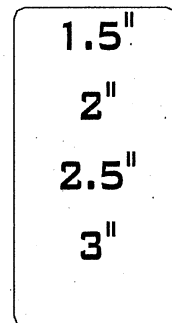
110



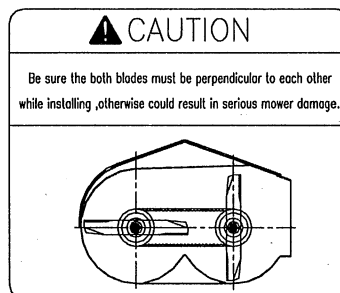
347



198



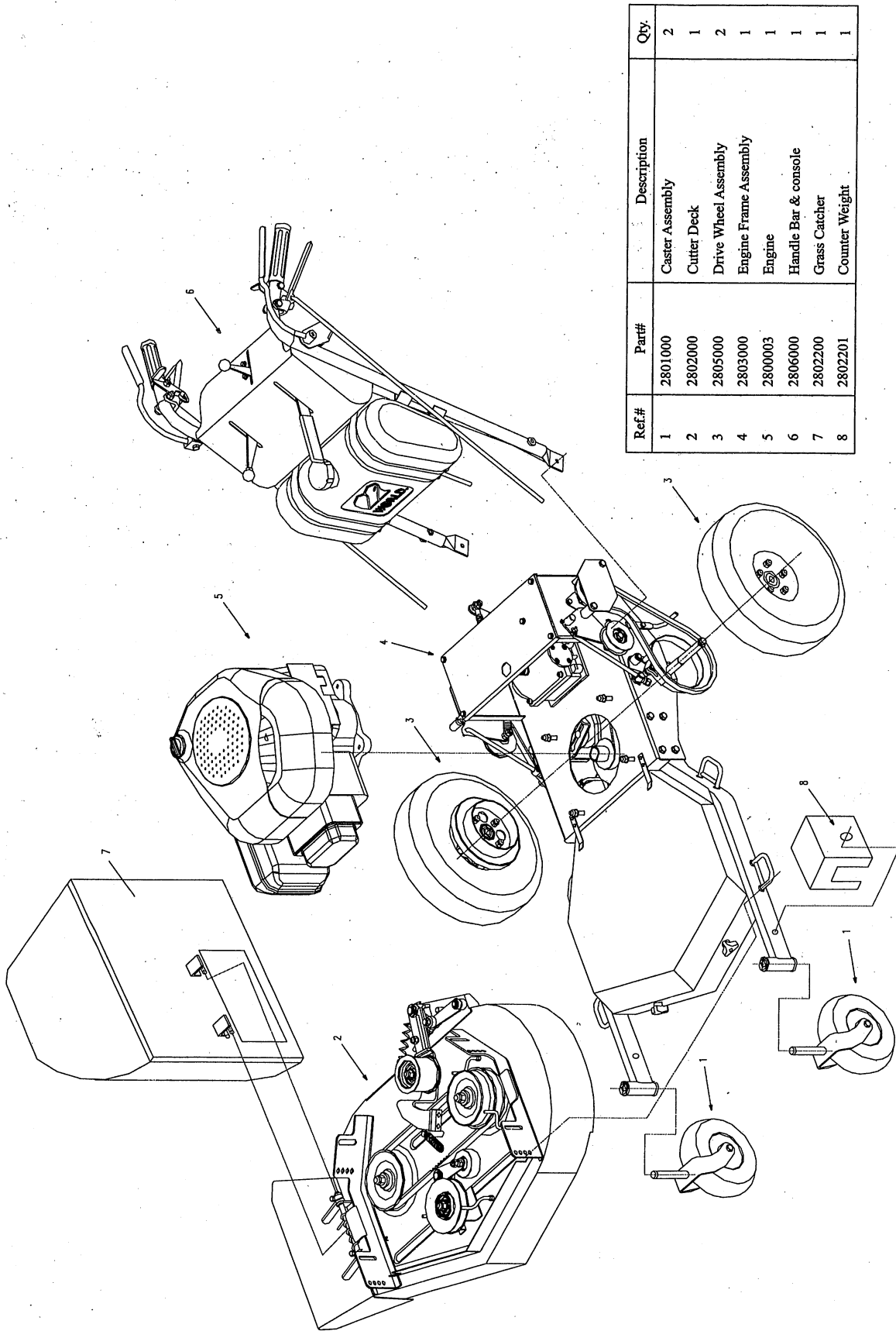
195



109

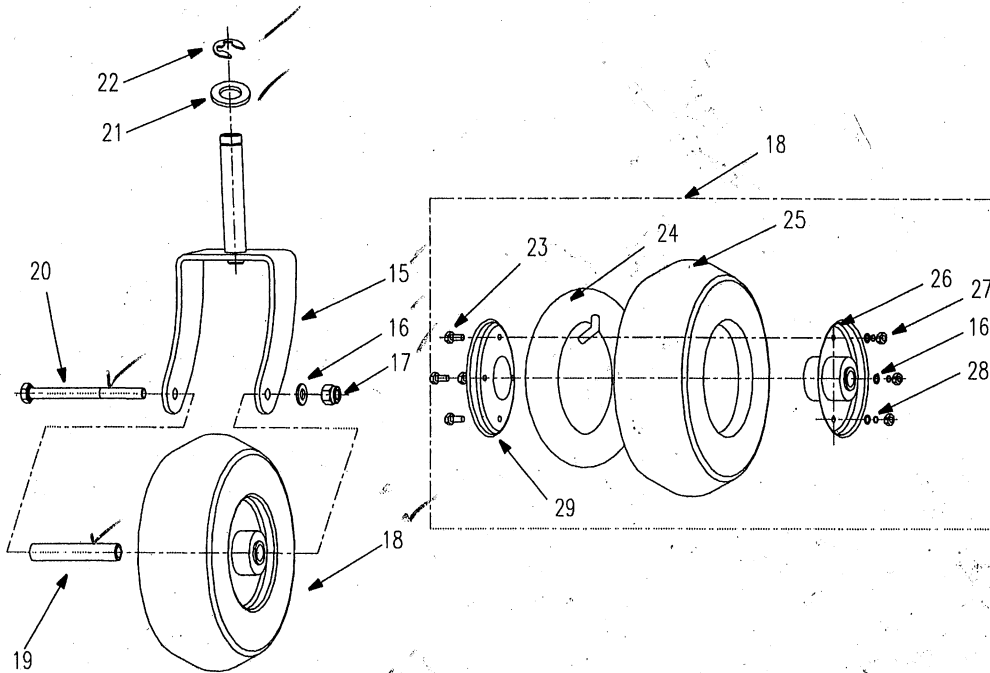
112

# Mower Assembly



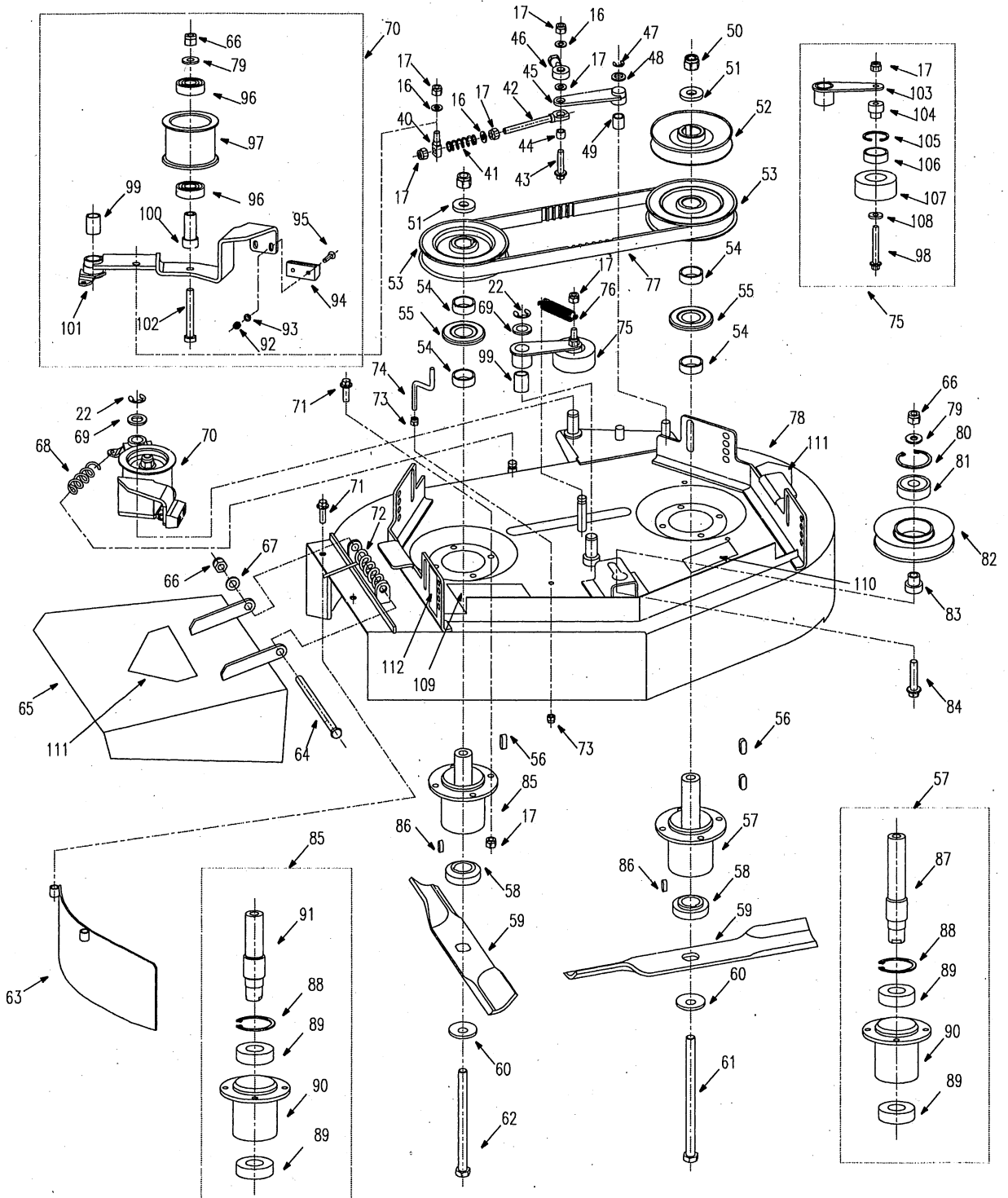
Ref.#	Part#	Description	Qty.
1	2801000	Caster Assembly	2
2	2802000	Cutter Deck	1
3	2805000	Drive Wheel Assembly	2
4	2803000	Engine Frame Assembly	1
5	2800003	Engine	1
6	2806000	Handle Bar & console	1
7	2802200	Grass Catcher	1
8	2802201	Counter Weight	1

# Caster Assembly



Ref.#	Part#	Description	Qty.
15	2801001	Caster Yoke	1
16	B97.1-8	Flat Washer 8mm	5
17	B6182-8	Nylon Insert Locknut M8mm	1
18	2801002	Caster Wheel	1
19	2801003	Spanner	1
20	2801004	Hex Hd. Bolt M8×95mm	1
21	B97.1-16	Flat Washer 16mm	2
22	B896-12	Snap Ring 12mm	1
23	B5783-816	Hex Hd Bolt M8×16mm	4
24	2801011	Inner tube	1
25	2801012	Tyre 7" *2.5"	1
26	2801013	Rim	1
27	B6170-8	Nut M8mm	4
28	B93-8	Split Lock Washer 8mm	4
29	2801014	Rim	1

# Cutter Deck

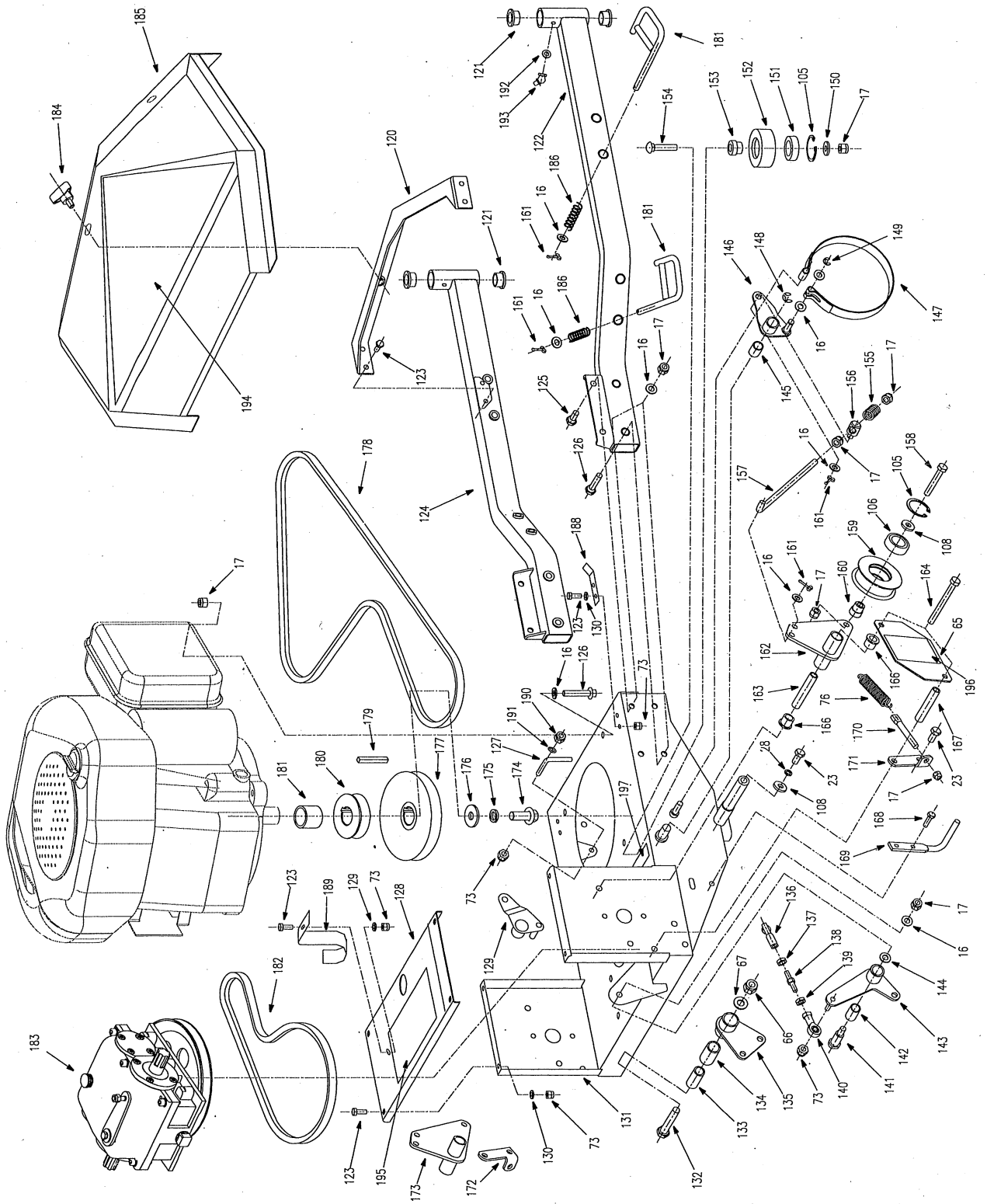




# Cutter Deck

Ref.#	Part#	Description	Qty	Ref.#	Part#	Description	Qty.
17	B6182-8	Nylon Insert Locknut M8mm	14	75	2802130	Idler Pulley Assembly	1
16	B97.1-8	Flat Washer 8mm	11	76	2802088	Idler Spring	1
40	2802084	Shoulder Bolt	1	77	2802010	Synchronous Belt	1
41	2802009	Compression Spring	1	78	2802060	Mower Deck	1
42	2802083	Connecting Rod	1	79	3302058	Spacer 10mm	2
43	B5783-835	Hex Hd Bolt M8×35mm	1	80	B893.2-47	Snap Ring 47mm	1
44	2802194	Oilite Bronze Bushing 8.05×11.9×9.5mm	1	81	B276-6303RS	Bearing 6303-2RS	1
45	2802163	Connecting Rod Arm	1	82	2802070	Idler Pulley	1
46	SIBJK 8T	Rod End Bearing	1	83	2802061	Spacer	1
47	B896-9	Snap Ring 9mm	1	84	B12-1045	Cup Hd. Square Neck M10×45mm	1
48	2802086	Spacer	1	85	2802005	Right Spindle Assembly	1
49	B2685-121618	Oilite Bronze Bushing 12×16×18mm	1	86	B1096-614	Square Key 6×14mm	2
50	B6182-12	Nylon Insert Locknut M12mm	2	87	2802047	Left Blade Spindle	1
51	3302009	Spacer	2	88	B893.2-52	Snap Ring 52mm	2
52	2802002	Blade Pulley	1	89	B276-6205RS	Bearing 6205-2RS	4
53	2802011	Synchronous Sprocket	2	90	2802166	Spindle Housing	2
54	2802131	Spacer	4	91	2802049	Right Blade Spindle	1
55	2802089	Bearing Cover	2	92	B6182-5	Nylon Insert Locknut M5mm	2
56	B1096-822	Square Key 8×22mm	3	93	B97.1-5	Flat Washer 5mm	2
57	2802004	Left Spindle Assembly	1	94	2802121	Brake Pad	1
58	2802018	Blade Coupling	2	95	B819-525	Phillips Hd. Screw M5×25mm	2
59	2802016	Blade	2	96	B276-6203RS	Bearing 6203-2RS	2
60	3302008	Washer	2	97	2802080	Idler Pulley	1
61	2802017	Left Blade Bolt	1	98	B5787-855	Hex Flange Bolt M8×55mm	1
62	2802019	Right Blade Bolt	1	99	B2685-162025	Oilite Bronze Bushing 16×20×25mm	2
63	2802040	Mulching Shield-Optional	1	100	2802139	Spacer	1
64	2802008	Hex Hd Bolt	1	101	2802190	Blade Brake Arm	1
65	2802090	Discharge Chute	1	102	B5782-1070	Hex Hd. Bolt M10×70mm	1
66	B6182-10	Nylon Insert Locknut M10mm	3	103	2802160	Idler Arm	1
67	B97.1-10	Flat Washer 10mm	1	104	2802143	Spacer	1
68	3303004	Blade Brake Spring	1	105	B893.1-35	Snap Ring 35mm	1
69	3302095	Spacer	2	106	B276-6202RS	Bearing 6202-2RS	1
22	B896-12	Snap Ring 12mm	2	107	2802142	Idler Pulley	1
70	2802081	Blade Brake Arm Assembly	1	108	2800006	Spacer	1
71	B5787-825	Hex Flange Bolt M8×25mm	10	109	8070	Decal, Caution	1
72	2802015	Torsion Spring	1	110	8045	Decal, Caution	1
73	B6182-6	Nylon Insert Locknut M6mm	8	111	8007	Decal, Danger	2
74	2802014	Belt Guide	4	112	8048	Decal, Height Adjusting	4

# Engine Frame Assembly







# Engine Frame Assembly

Ref.#	Part#	Description	Qty.
120	2803004	Transom Weldment	1
121	2803001	Oilite Bronze Bushing	4
122	2803003	Right Carrier Frame	1
123	B5783-616	Hex Hd Bolt M6 X 16mm	10
124	2803002	Left Carrier Frame	1
125	B5787-820	Hex Flange Bolt M8 X 20mm	4
126	B5787-840	Hex Flange Bolt M8 X 40mm	4
73	B6182-6	Nylon Insert Locknut M6mm	8
127	2803017	Belt Guide	2
128	2803014	Rear Shield	1
129	2803008	Left Brake Lever	1
130	B97-1-6	Flat Washer 6mm	12
131	2803005	Engine Frame Weldment	1
132	B5782-1055	Hex Hd Bolt M10 X 55mm	1
133	2803016	Spacer	1
134	3303037	Nylon Bushing	1
135	2803009	Drive Engage Lever	1
66	B6182-10	Nylon Insert Locknut M10mm	1
67	B97-1-10	Flat Washer 10mm	1
136	3303008	Rod End Bearing M6mm	1
137	B6172-6	Hex Nut M6mm	1
138	2803006	Shift Adjusting Screw	1
139	B6172-6L	Hex Nut M6mm, LH.	1
140	3303021	Rod End Bearing M6mm, LH.	1
141	2806055	Control Shaft	1
142	3303023	Nylon Bushing	1
143	2803007	Shift Pivot Arm	1
144	2806061	Wave Washer	1
16	B97-1-8	Flat Washer 8mm	21
17	B6182-8	Nylon Insert Locknut M8mm	23
145	3303141	Nylon Bushing	2
146	2803012	Left Brake Lever	1
172	2800044	Left Adjusting Plate	1
173	2800031	Idle Bracket, LH	1
174	3307005	Hex Hd. Bolt 7/16-20UNF*1-1/4	1
175	B93-12	Split Lock Washer 12mm	1
176	3307004	Spacer	1
177	2807002	Engine Drive Pulley	1
178	2800015	Blade Drive Belt	1
179	3307002	Square Key	1
180	2807001	Transmission Drive Pulley	1
181	3307001	Spacer	1
182	2800014	Transmission Drive Belt	1
183	2804000	Transmission Assembly	1
184	3302190U	Knob	2
185	2800001	Belt Cover	1
186	2800029	Compression Spring	4
181	2800021	J-Pin Weldment	4
188	2803057	Seesaw	2
189	2803055	J-Jack	1
190	B6170-6	Nut M6mm	2
191	B93-6	Split Lock Washer 6mm	2
192	B861.2-6	Internal Tooth Lock Washer 6mm	2
193	B1153-6	Grease Fitting 6mm	2
194	8047	Decal, Model	1
195	8017	Decal, Warning	1
196	8045	Decal, Caution	2
197	8046	Label, Model Plate	1
147	3303002	Brake Band	2
148	B896-8	Snap Ring 8mm	2
149	B896-6	Snap Ring 6mm	4
150	3303018	Spacer	1
105	B893.1-35	Snap Ring 35mm	3
151	B276-6003RS	Bearing 6003-2RS	1
152	2803011	Transmission Drive Idler Pulley	1
153	2803010	Spacer	1
154	B12-840	Cup Hd. Square Neck M8*40mm	1
155	2800017	Compression Spring	2
156	2800020	Brake Swivel	2
157	2800018	Brake Lever	2
158	B5783-850	Hex Hd. Bolt M8 X 50mm	2
28	B93-8	Split Lock Washer 8mm	2
106	B276-6202RS	Bearing 6202-2RS	2
159	2800034	Idler Pulley, Wheel Drive	2
160	2800035	Spacer	2
161	XSZ56-1-17	Bolt	8
162	2800041	Idle Bracket, RH	1
163	2800032	Idler Sleeve	2
108	2800006	Spacer	4
164	B5782-880	Hex Hd. Bolt M8 X 80mm	4
165	2800016	Belt Guard	2
166	2800033	Oilite Bronze Bushing	4
167	2800009	Spacer	2
23	B5783-816	Hex Hd. Bolt M8 *16mm	4
168	B5783-620	Hex Hd. Bolt M6*20mm	4
169	2800005	Belt Guide	2
76	2802088	Spring	2
170	2800043	Spring Adjusting Screw	2
171	2800045	Right Adjusting Plate	1

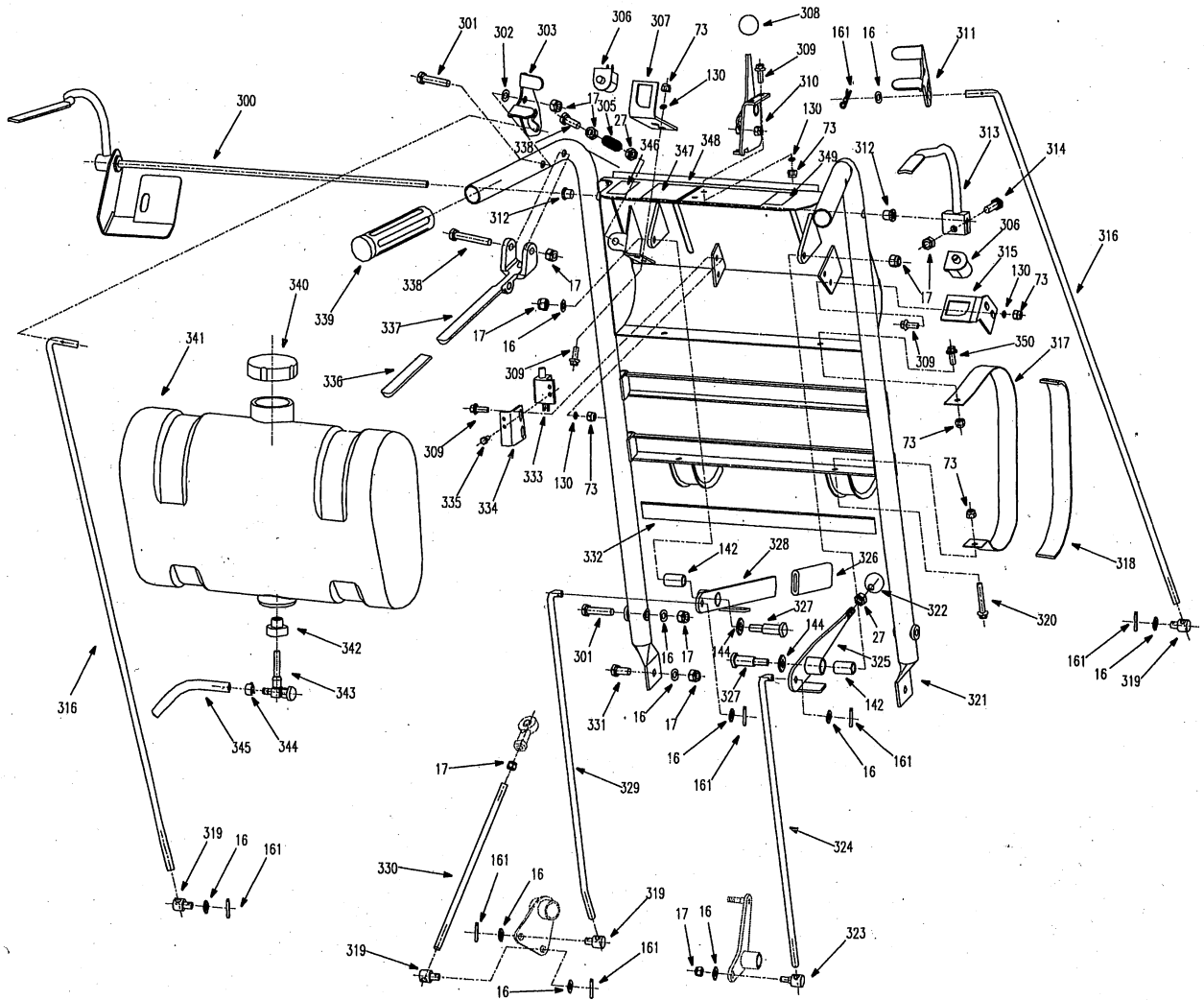




# Transmission Assembly

Ref.#	Part#	Description	Qty.	Ref.#	Part#	Description	Qty.
210	3304019	Bearing Cover-Output	2	243	3304041	Taper Ring Gear	1
211	3304020	Seal Ring	2	244	B308-5/16	Detent Steel Ball 5/16 Dia.	1
212	B9877.1-204010	Oil Seal FB 20×40×10B	2	245	3304005	Detent Spring	1
213	B276-6204	Bearing 6204	2	246	2804012	Roller	2
214	2804019	Shift Spacer	1	247	2804006	Spur Gear, CounterShaft 3rd	1
215	2804016	Shift Key	2	248	2804002	Countershaft	1
216	2804008	Output Shift	1	249	2804013	Shift Rod & Fork	1
191	B93-6	Split Lock Washer 6mm	8	250	3304001U	Transmission Case-Bottom	1
217	3300187	Socket Hd. Cap Screw 1/4-20 × 3/4	2	251	3304007	Oil Drain Plug	1
218	2804025	Shift Arm	1	16	B97.1-8	Flat Washer 8mm	6
219	3304014	Spacer	2	252	B861.1-8	Internal Teeth Lock Washer 8mm	6
220	3300198	Hex Hd. Bolt 1/4-20×3/4	2	253	3300106	Hex Hd. Bolt 5/16-18×3/4	6
221	3300114	Nylon Insert Locknut 10-24	1	254	3304031U	Input Pinion Shaft (with gear)	1
222	3304009	Filler/Breather Plug	1	255	3300161	Bearing 6203	2
223	3304008	Seal Ring	1	256	3304032	Spacer	1
224	3300188	Socket Hd. Cap Screw 1/4-20 × 1-5/8	2	257	3300145	Snap Ring 17mm	1
225	2804004	Transmission Case-Top	1	258	B9877.1-173510	Oil Seal FB 17×35×10B	1
226	B117-416	Taper Pin 4×16mm	2	259	3304011	Input Shaft Seal Ring	1
227	3304053	Washer	2	260	3304012	Input Shaft Bearing Cover	1
228	2804007	Spur Gear, Output Shaft 2nd	1	261	3304013	Transmission Input Pulley	1
229	2804017	Spur Gear, Output Shaft 3rd	1	262	2800004	Wheel Drive Belt (BANDO A34" )	2
230	2804003	Spacer	1	22	B896-12	Snap Ring 12mm	2
231	3304054	Spacer	1	263	2800010	Transmission Output Pulley	2
232	3300124	Phillips Hd. Screw 10-24×1/2	20	264	2800013	Spacer	2
233	3304015	Bearing Cover-Countershaft	2	265	2800011	Jackshaft Bearing Jackshaft Flange	2
234	3304016	Seal Ring	2	266	99502H	Bearing 99502H-2RS	2
235	B276-6202	Bearing 6202	1	267	B1096-5522	Square Key 5×5×22	2
236	2804001	Spacer	2	268	2800012	Jackshaft	2
237	B1096-514	Square Key 5×14mm	3	269	2800008	Coupling	2
238	B1096-516	Square Key 5×16mm	1	73	B6182-6	Nylon Insert Locknut M6mm	4
239	2804005	Spur Gear, CounterShaft 2nd	1	130	B97.1-6	Flat Washer 6mm	4
240	2804020	Spur Gear, CounterShaft 1st	1	123	B5783-616	Hex Hd. Bolt M6×16mm	4
241	2804009	Spur Gear, Output Shaft 1st	1				
242	3304042	Spacer	1				

# Handle Bar & Console

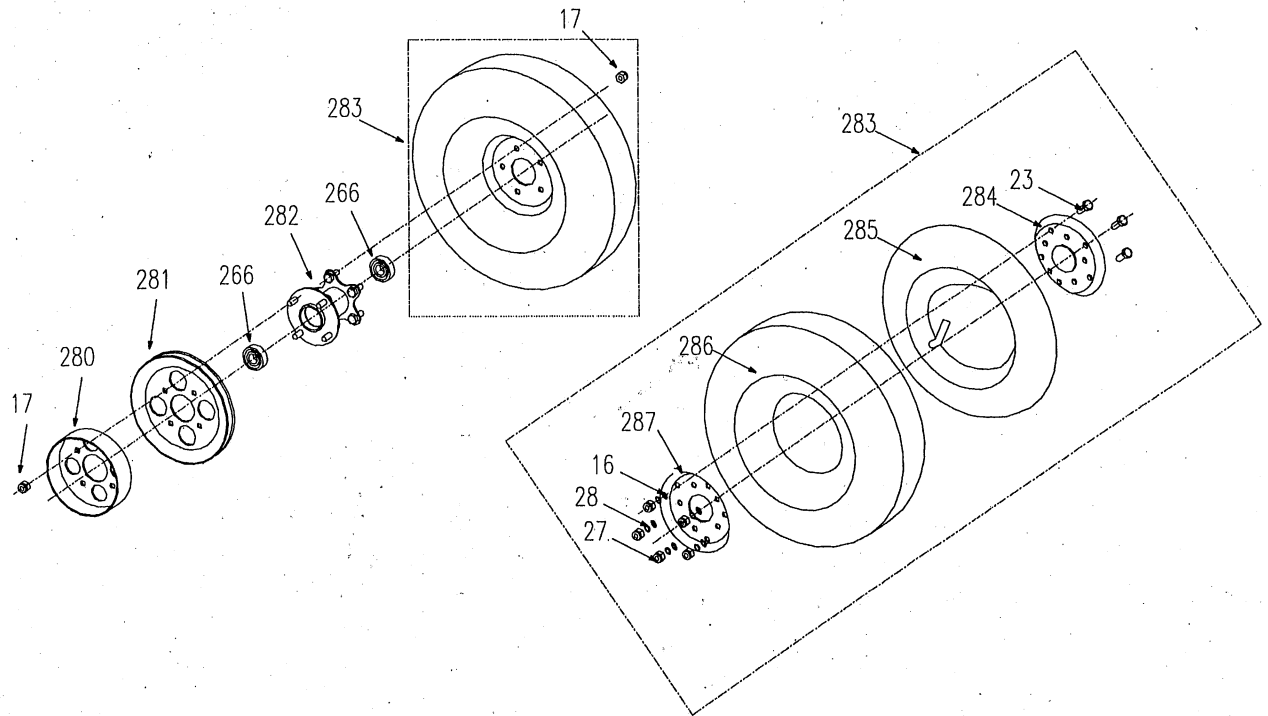




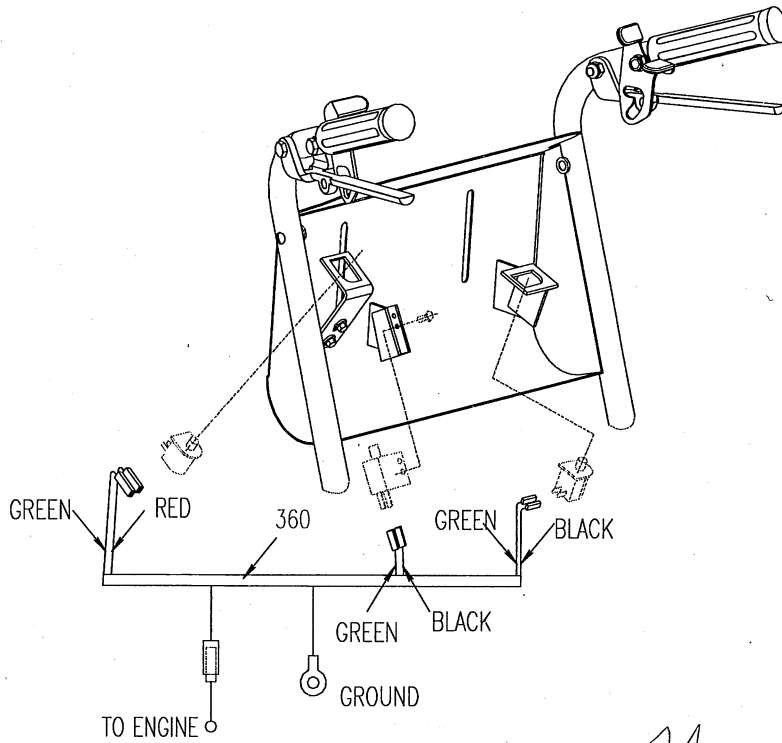
# Handle Bar & Console

Ref.#	Part#	Description	Qty.	Ref.#	Part#	Description	Qty.
300	2806003	Operator Presence Lever, LH	1	325	2806001	Gear Shift Lever	1
301	B5782-845	Hex Hd. Bolt M8×45mm	4	27	B6170-8	Nut M8mm	2
302	B955-8	Wave Washer 8mm	4	326	3306002	Handle Grip	2
303	2806047	Neutral Latch, LH	1	144	2806061	Wave Washer	2
17	B6182-8	Nylon Insert Lock nut 8mm	8	327	2806055	Shoulder Bolt	2
305	2806002	Spring	1	328	2806015	Blade Drive Lever	1
306	33-019	Switch	2	329	2806013	Blade Control Rod	1
307	2806056	Switch Bracket	1	330	2800002	Blade Engage Control Rod	1
73	B6182-6	Nylon Insert Locknut M6mm	12	331	B8783-820	Hex Hd. Bolt M8×20mm	2
130	B97.1-6	Flat Washer 6mm	12	332	3306082	Rubber Pad(with glue)	2
308	3306030	Knob	1	333	33-015	Blade Switch	1
309	B5787-616	Hex Flange Bolt M6×16mm	10	334	2806057	Blade Switch Bracket	1
310	2806005	Throttle Control Assembly	1	335	B67-510	Slotted Pan Hd. Screw M5× 10 mm	2
161	XZ56-1-17	Hair Pin	4	336	2806011	Steering Lever Grip	2
16	B97.1-8	Flat Washer 8mm	4	337	2806006	Steering Lever	2
311	2806048	Neutral Latch, RH	1	338	B5782-855	Hex Hd. Bolt M8*55mm	3
312	2806010	Nylon Bushing	2	339	3306005	Handle Grip	2
313	2806007	Operator Presence Lever, RH	1	340	3307021	Gas Cap	1
314	B5783-830	Hex Hd. Bolt M8×30mm	1	341	3307022	Fuel Tank	1
315	2806058	Switch Bracket	1	342	3307023	Fuel Tank Bushing	1
316	2806009	Control Rod	2	343	3307024	Fuel Line Shut-off	1
317	3306017	Fuel Tank Mounting Strap	2	344	3307025	Hose Clamp	1
318	3306081	Rubber Strap(with glue)	2	345	3307026	Fuel Line	1
319	2800019	Swivel Joint	4	346	8080	Label, Neutral Latch Instruction	1
161	XSZ56-1-17	Bolt	6	347	8022	Decal, Warning	1
320	B5787-640	Hex Flange Bolt M6×40mm	2	348	8049	Decal, Logo	1
321	2806014	Handlebar Assembly	1	349	8081	Label, Neutral Latch Instruction	1
322	B4141.11-825	Black Knob	1	350	B5787-630	Hex Flange Bolt M6×30mm	2
323	3306015	Trunnion	1				
324	2806012	Shift Control Rod	1				
142	3303023	Nylon Bushing	2				

# Drive Wheel Assembly

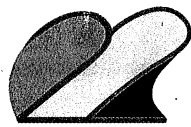


Ref.#	Part#	Description	Qty.
17	B6182-8	Nylon Insert Locknut M8mm	9
280	2805003	Brake Drum	1
281	2805002	Wheel Drive Pulley	1
266	99502H	Bearing 99502H	2
282	2805005	Wheel Hub Weldment	1
283	2805001	Tire & Rim Assembly	1
23	B5783-8	Hex Hd. Bolt M8*16mm	5
284	2805008	Rim	1
285	2805009	Inner Tube	1
286	2805010	Tyre 13" *4"	1
287	2805011	Rim	1
16	B97.1-8	Flat Washer 8mm	5
28	B93-8	Split Lock Washer 8mm	5
27	B6170-8	Nut M8mm	5



Ref.#	Part#	Description	Qty.
360	2808010	Wiring Harness	1

日期 三十日



**WORLD. WORLDLAWN®**

**Worldlawn Power Equipment, Inc.**

422 Turnbull Canyon Road City of Industry CA 91744

Phone: (626) 934-8552

Fax: (626) 934-8162

E-mail: [worldlawn\\_mower@adelphia.net](mailto:worldlawn_mower@adelphia.net)

28103