

Parts Catalog



WORLDLAWN®

WYRZ46S/50U/60U

Residential Zero Turn Mower

Worldlawn Power Equipment, Inc.

Industrial Park 2415 Ashland Ave. Beatrice, NE 68310

Toll Free Number: 1-800-267-4255

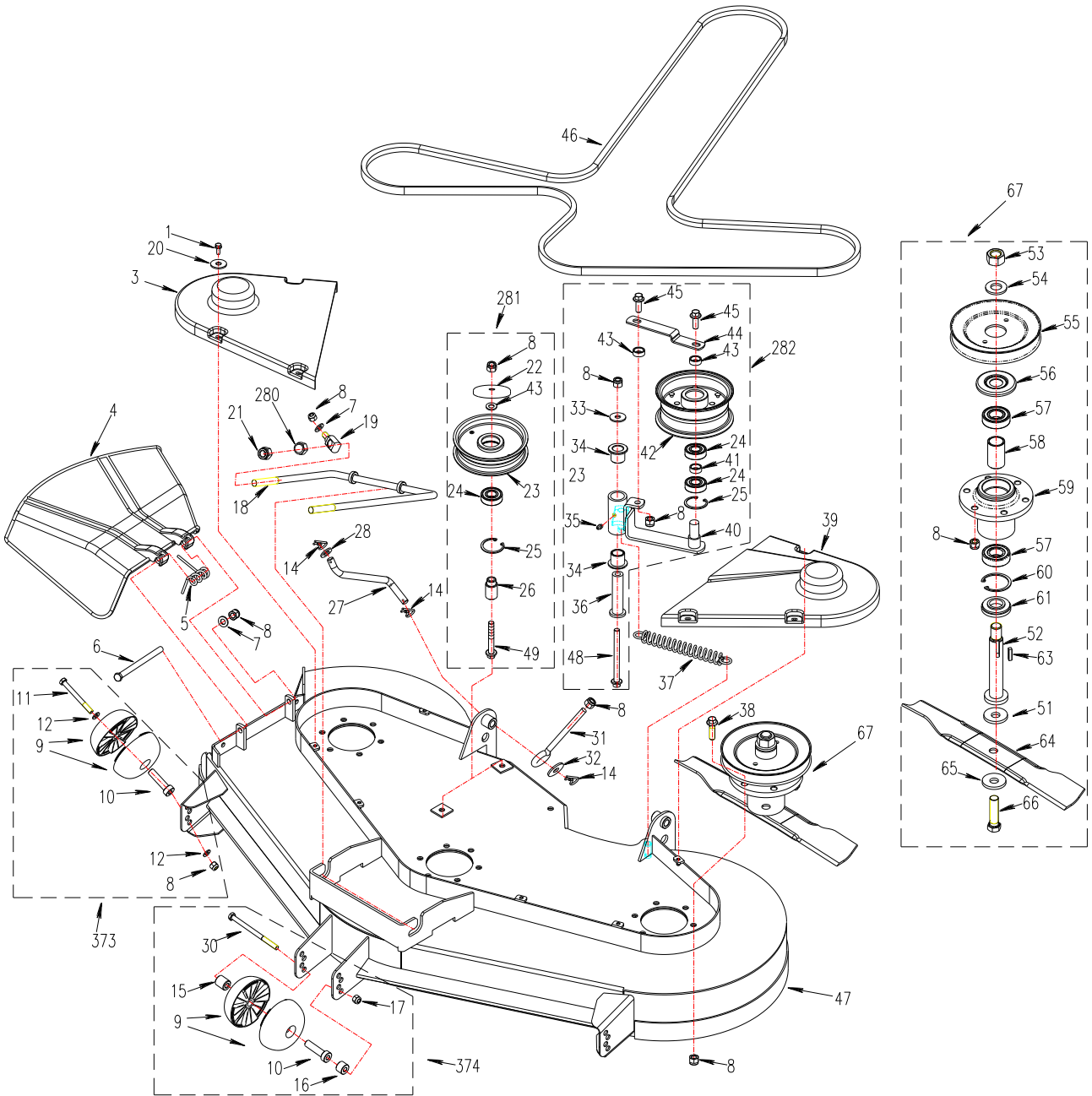


Table of Contents

Table of Contents

Mower Deck Assembly.....	1
Frame Assembly.....	3
Control Assembly	5
Engine System	7
Driving System.....	9
Deck Height Adjustment	10
Fuel Tank Assembly	11
Safety/Operation and Product Decals.....	12
Electrical System	14

Mower Deck Assembly

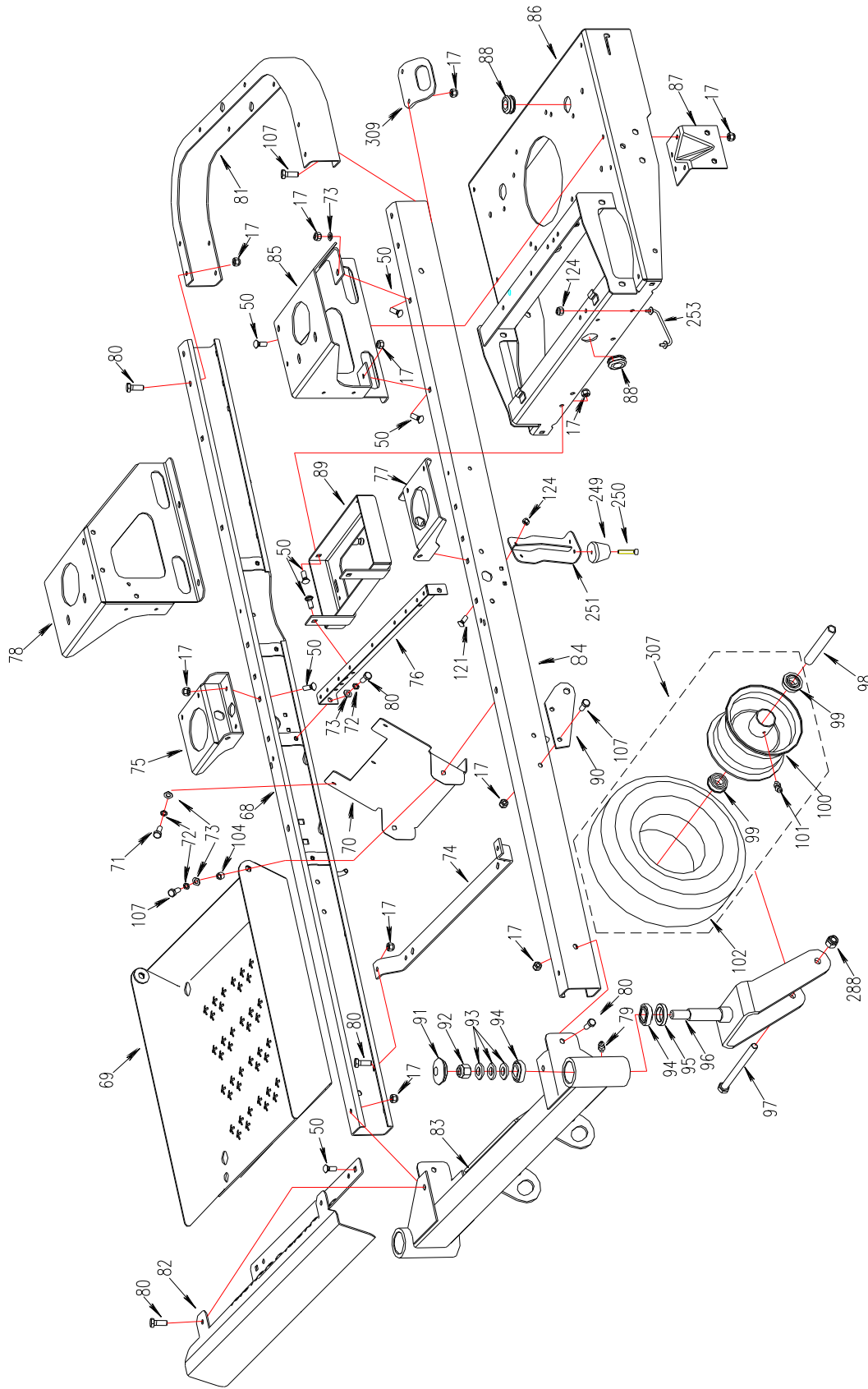


Mower Deck Assembly



Ref	Parts NO	Description	46S	50U	60U	Ref	Parts NO	Description	46S	50U	60U
1	B5783-616	Hex Hd. Bolt M6×16	×	×	×	42	5201064	Tension Pulley	×	×	×
3	5001016	RH Belt Cover	×	×		43	5201078	Bearing Spacer M10	×	×	×
	6011003	Right Belt Cover			×	44	5201062	Connecting pad	×	×	×
4	5001004	Discharge Chute	×	×	×	45	B5787-1030	Hex Hd. Bolt M10×30	×	×	×
5	5001007	Torsion Spring	×	×	×	46	4601002	Blade Drive Belt	×		
6	2802008	Bolt M8×160	×	×	×		5001002	Blade Drive Belt	×	×	
7	B97.1-10	Flat Washer M10	×	×	×		6011001	Blade Drive Belt9-1482			×
8	B6182-10	Locknut M10	×	×	×	47	4601340	Deck Weldment	×	×	×
9	T001121	Floating Roller	×	×	×		5001340	Deck Weldment	×	×	×
10	T001122	Bolt Sleeve	×	×	×		6011040	Deck Weldment	×	×	×
11	B5782-880	Bolt M8 X80	×	×	×	48	B5787-10110	Bolt M10×110	×	×	×
12	B97.1-8	Flat Washer M8	×	×	×	49	B5787-1070	Hex Hd. Bolt M10×70	×	×	×
14	5202012	Hair Pin	×	×	×	51	5001301	Blade Washer	×	×	×
15	5001331	Bushing 1	×	×	×	52	6011143	Spindle Shaft	×	×	×
16	5001332	Bushing 2	×	×	×	53	B6171-20	Nut M20×1.5	×	×	×
17	B6182-8	Locknut M8	×	×	×	54	5201048	Disk Spring Washer M20	×	×	×
18	5001304	Front Deck Support Rod	×	×	×	55	4601356	Blade Pulley	×		
19	5001303	Support Rod Pivot Bushing	×	×	×		5001306	Blade Pulley		×	
20	B96-6	Flat washer M6	×	×	×		6011141	Blade Pulley			×
21	B6182-12	Nut M12	×	×	×	56	5201044	Top Dust Cover	×	×	×
22	5201291	Bearing Cover	×	×	×	57	B276-6205RS	Bearing 6205-2RS	×	×	×
23	5201012	Stationary Idler	×	×	×	58	5201049	Spindle Bearing Spacer	×	×	×
24	B276-6203RS	Bearing 6203-2RS	×	×		59	5201050	Spindle Housing	×	×	×
25	B893.1-40	Snap Ring M40	×	×	×	60	B893.1-52	Snap Ring M52	×	×	×
26	5201011	Idler Spacer Bushing	×	×	×	61	5201043	Lower Dust Guard	×	×	×
27	5001005	Deck Stabilizer Rod	×	×	×	63	B1096-B625	Key B6×25	×	×	×
28	B97.1-12	Flat Washer M12	×	×	×	64	4601001U	blade	×		
30	B5782-8120	Bolt M8×120	×	×	×		5001001U	blade		×	
31	5001008	Deck lift Rod	×	×	×		6001004U	blade			×
32	5001006	Washer M12	×	×	×	65	5201042	Disk Spring Washer M16	×	×	×
33	5001083	Washer M10	×	×	×	66	B5785-161560	Bolt M16×1.5×60	×	×	×
34	3301003	Flange Bushing 20×26×25	×	×	×	67	4601355	Spindle Assembly	×	×	×
35	B1152-6	Grease Fitting M6	×	×	×		5001305	Spindle Assembly	×	×	×
36	5001081	Pivot Tensioner Mount	×	×	×		6011140	Spindle Assembly	×	×	×
37	5207015	Deck Belt Tension Spring	×	×	×	280	B6172-12	Nut M12	×	×	×
38	B5787-1035	Bolt M10×35	×	×	×	281	5201010	Tension Pulley Assembly	×	×	×
39	5001017	LH Belt Cover	×	×		282	5001080	Tension Pulley Assembly	×	×	×
	6011002	Left Belt Cover			×	373	T001120	Anti Scalp Roller ASM	×	×	×
40	5001090	Deck Belt Tension Arm	×	×	×	374	5001330	Anti Scalp Roller ASM	×	×	×
41	5201077	Bearing Spacer	×	×	×						

Frame Assembly



Frame Assembly



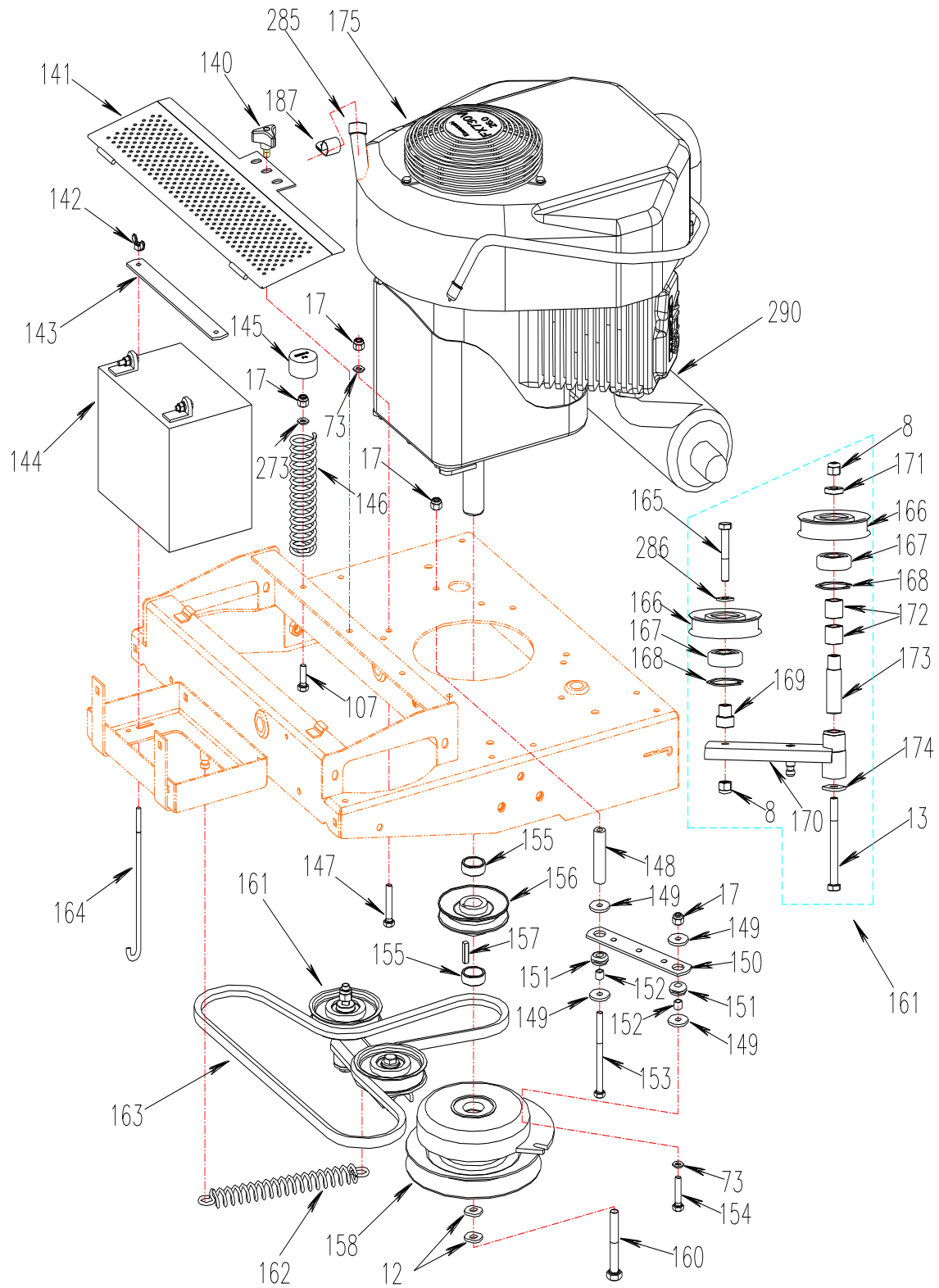
Ref	Parts NO	Description	46S	50U	60U
17	B6182-8	Locknut M8	×	×	×
50	B801-820	Hex Hd. Bolt M8×20	×	×	×
68	5002335	Right Beam	×	×	×
69	5002355	Foot Plate	×	×	×
70	5002305	Panel	×	×	×
71	B5783-816	Hex Hd. Bolt M8×16	×	×	×
72	B93-8	Split Lock Washer M8	×	×	×
73	B97.1-8	Flat Washer M8	×	×	×
74	5002321	Front Supporting Plate	×	×	×
75	5002017	Front RH Tank Bracket	×	×	×
76	5002322	Middle Cross Beam	×	×	×
77	5002016	Front LH Tank Bracket	×	×	×
78	5002310	Rear RH Tank Bracket	×	×	×
79	B1152-8	Grease Fitting M8×1	×	×	×
80	B5783-820	Hex Hd. Bolt M8×20	×	×	×
81	5002323	Rear Guard	×	×	×
82	5002307	Front Bump	×	×	×
83	5002325	Front Beam	×	×	×
85	5002330	Rear LH Tank Bracket	×	×	×
86	5002380	Engine Base	×	×	×
87	5002085	Frame Brace	×	×	×
88	4LZ2.16.4-04	Rubber Bushing M29	×	×	×
89	5002336	Battery Tray	×	×	×
90	5002308	Stabilizer Arm Mount	×	×	×

Ref	Parts NO	Description	46S	50U	60U
91	5002020	Caster Pivot Cap	×	×	×
92	B6182-16	Nut M16	×	×	×
93	5002091	Spring washer M16	×	×	×
94	B297-32922	Bearing 329/22	×	×	×
95	B9877.1-28407	Grease Seal 28×40×7	×	×	×
96	5002095	Caster Wheel Yoke	×	×	×
97	B5782-12150	Bolt M12×150	×	×	×
98	5002092	Caster Wheel Bushing	×	×	×
99	5002103	Bearing	×	×	×
100	5002102	Rim 5×3	×	×	×
101	B1153-6	45 °Grease Fitting M6	×	×	×
102	5002101	Tire 11×4	×	×	×
104	5002007	Foot Plate Pivot Bushing	×	×	×
107	B5783-825	Bolt M8×25	×	×	×
121	B801-616	Bolt M6×16	×	×	×
124	B6182-6	Locknut M6	×	×	×
249	5201003	Bumper Block	×	×	×
250	B70-630	Screw M6×30	×	×	×
251	5002365	Deck Stop	×	×	×
253	5002390	Wire rod welding	×	×	×
288	B6182-12	Nut M12	×	×	×
307	5002100	Front Wheel	×	×	×
309	5009026	Fixed Plate	×	×	×

Control Assembly



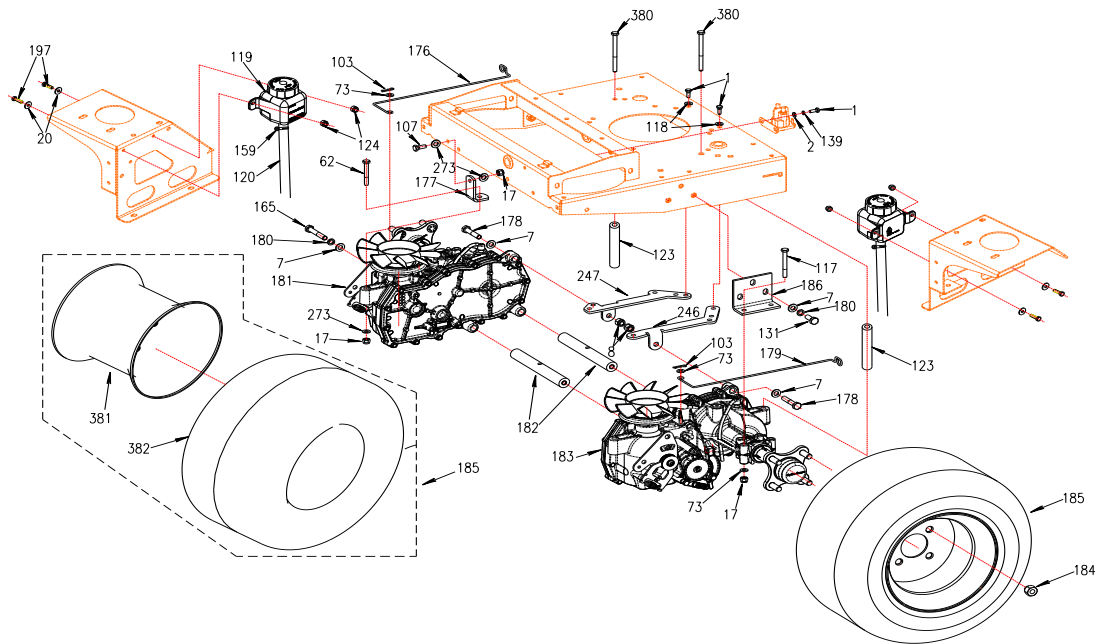
Ref	Parts NO	Description	46S	50U	60U	Ref	Parts NO	Description	46S	50U	60U
2	B97.1-6	Flat Washer M6	×	×	×	130	5000081A	Seat Plate	×	×	×
8	B6182-10	Locknut M10	×	×	×	131	B5783-1025	Bolt M10×25	×	×	×
17	B6182-8	Locknut M8	×	×	×	132	3300106	Hex Hd Bolt 5/16-18UNC	×	×	×
35	B1152-6	Grease Fitting M6	×	×	×	133	5002140A	Left Handle	×	×	×
50	B801-820	Hex Hd. Bolt M8×20	×	×	×	134	5002341	LH Handle Mount Assembly	×	×	×
72	B93-8	Split Lock Washer M8	×	×	×	135	5002032	Left Switch Bracket	×	×	×
73	B97.1-8	Flat Washer M8	×	×	×	136	5002131	Left Control Link	×	×	×
80	B5783-820	Hex Hd. Bolt M8×20	×	×	×	137	5002009	Axle Pin 2	×	×	×
103	XSZ56-1-17	PIN	×	×	×	138	B6170-6	Nut M6	×	×	×
105	5002145A	Right Handle	×	×	×	139	B93-6	Split Lock Washer M6	×	×	×
106	5002034	Handle Grip	×	×	×	257	5002270	Washer	×	×	×
107	B5783-825	Bolt M8×25	×	×	×	258	5002260	Brake Tension Spring			×
108	5002343	RH Handle Mount Assembly	×	×	×	260	5002111	Pivot Shaft	×	×	×
109	5002138	RH Control link	×	×	×	261	5002347	Stop Bracket RH Torsion Spring	×	×	×
110	5002008	Shoulder Pin	×	×	×	262	5002118	Torsion Spring, RH	×	×	×
111	B6170-8	Locknut M8	×	×	×	263	B2685-121618	Bearing 12×16×18	×	×	×
112	5002134	Neutral Buckle M8	×	×	×	264	B861.1-6	Washer M6	×	×	×
113	5002135	Screw M8	×	×	×	265	5002120	Pivot Block Weldment	×	×	×
114	SIBJK 8T	Ball Joint	×	×	×	266	5002344	Right Brake Panel	×	×	×
115	B5783-840	Hex Hd. Bolt M8×40	×	×	×	267	5002112	Operating Pin Roll	×	×	×
116	5205012	Damper	×	×	×	268	2806061	Washer M12	×	×	×
122	5002350	Control Panel Mount	×	×	×	269	B897-520	Pin 5×20	×	×	×
124	B6182-6	Locknut M6	×	×	×	270	5002113	Handle Mount Block	×	×	×
125	5002031	Right Switch Bracket	×	×	×	271	5002114	Spring	×	×	×
126	5002210	Brake Cable	×	×	×	272	B308-4	Steel Ball SR4	×	×	×
127	5002005	Cable Mount Bracket	×	×	×	273	2800006	Washer M8	×	×	×
128	5002026	BrakeAdjustment Link	×	×	×	274	5002345	Stop Bracket LH Torsion Spring	×	×	×
129	5000091	Seat	×	×	×	275	5002117	Torsion Spring, LH	×	×	×
						276	5002342	Left Brake Panel	×	×	×
						287	5000002	Seat Pull Rod	×	×	×



Engine System



Ref	Parts NO	Description	46S	50U	60U	Ref	Parts NO	Description	46S	50U	60U
8	B6182-10	Locknut M10	×	×	×	12	5201061	Disk Spring Washer M11	×	×	×
13	B5782-10100	Bolt M10×100	×	×	×	160	5203412	Bolt 7/16-20UNF×3	×	×	×
17	B6182-8	Locknut M8	×	×	×	161	5002160	Tension Pulley Assembly	×	×	
73	B97.1-8	Flat Washer M8	×	×	×		6012010	Tension Pulley Assembly			×
107	B5783-825	Bolt M8×25	×	×	×	162	4806004	Tension Pulley Spring	×	×	×
140	3302190	Three Arm Knob	×	×	×	163	5002004	Pump Drive Belt	×	×	
141	5002385	Fan Cover	×	×	×		6012004	Pump Drive Belt			×
142	B62-6	Wing Nut M6	×	×	×	164	5208203	Battery Clamp Bolt	×	×	×
143	3203004	Battery Strap	×	×	×	165	B5782-1060	Bolt M10×60	×	×	×
144	5208002	Battery 12V 33AH	×	×	×	166	5002175	Tension Idler	×	×	×
145	5203045	Spring Cap	×	×	×	167	B276-6303RS	Bearing 6303-2RS	×	×	×
146	5002022	Spring	×	×	×	168	B893.2-47	Snap Ring M47	×	×	×
147	B5783-845	Bolt M8×45	×	×	×	169	5002161	Tension Pulley Spacer	×	×	×
148	5002159	Clutch Stop Spacer	×	×	×	170	5002165	Pump Tension Arm	×	×	×
149	5203408	Washer M8	×	×	×		6012011	Pump Tension Arm	×	×	×
150	5203411	Clutch Stop Strap	×	×	×	171	5002164	Tension Idler Spacer M10	×	×	×
151	5203410	Rubber Washer M17	×	×	×	172	B2685-202420	Bearing 20×24×20	×	×	×
152	5203409	Clutch Stop Spacer	×	×	×	173	5002163	Pivot Bushing	×	×	×
153	B5782-8100	Bolt M8×100	×	×	×	174	3307004	Washer M11	×	×	×
154	B5783-835	Hex Hd Bolt M8×35	×	×	×	175	5002158	Kawasaki Engine 24HP (24HP)		×	×
155	3607002	Engine Shaft Spacer	×	×	×		5002155	BS Engine(20HP)	×		
156	5002152	Pump Drive Pulley	×	×	×		5002156	BS Engine(26HP)		×	×
157	5203405	Key 6.35×25	×	×	×	187	3601020	Wire Clamp (Kawasaki)	×	×	
158	4804005	Electric Clutch	×	×	×	273	2800006	Washer M8	×	×	×
						285	5203420	Oil Drain Pipe (Kawa)		×	
						286	3302058	Washer M10	×	×	×
						290	5002268	Muffler (Kawasaki FR)	×	×	×
							5002269	Muffler(B&S)	×	×	×



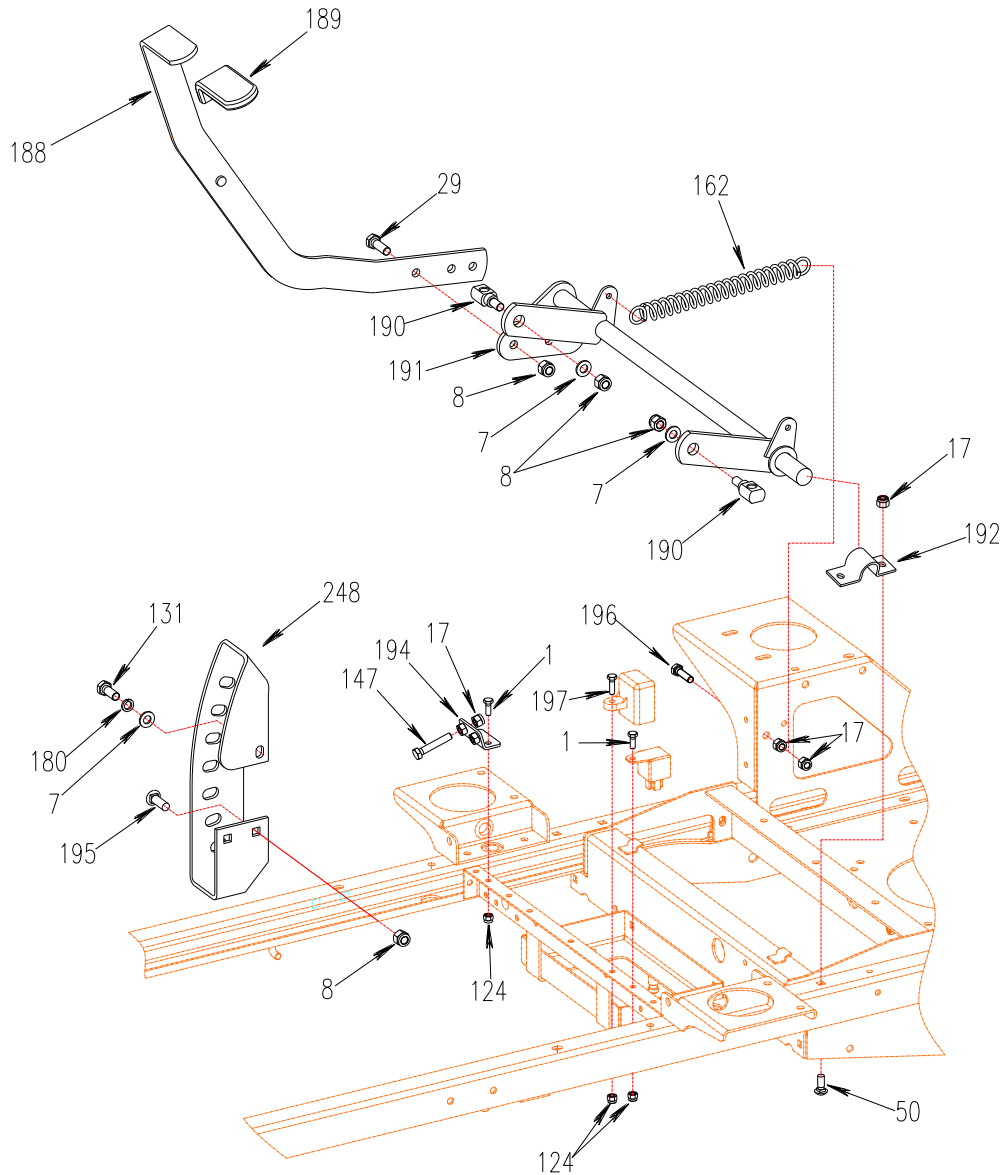
Ref	Parts NO	Description	46S	50U	60U
1	B5783-616	Hex Hd. Bolt M6×16	×	×	×
2	B97.1-6	Flat Washer M6	×	×	×
7	B97.1-10	Flat Washer M10	×	×	×
17	B6182-8	Locknut M8	×	×	×
20	B96-6	Flat Washer M6		×	×
62	B5782-860	Hex Hd. Bolt M8×60	×	×	×
73	B97.1-8	Flat Washer M8	×	×	×
103	XSZ56-1-17	Hair Pin	×	×	×
107	B5783-825	Bolt M8×25	×	×	×
117	B5782-870	Bolt M8×70	×		
	B5782-880	Bolt M8×80		×	×
118	2802183	Flat Washer	×	×	×
119	6012021	Oil Tank		×	×
120	6012022	Hydraulic cotton		×	×
123	6012005	Bushing		×	×
124	B6182-6	Locknut M6		×	×
131	B5783-1025	Bolt M10×25	×	×	×
139	B93-6	Split Lock Washer M6	×	×	×
159	B8870-20	Hose Clamp 12-20		×	×
165	B5782-1060	Bolt M10×60	×	×	×
176	5002024	Right Pressure Relief Rod	×		
	6012009	Right Pressure Relief Rod		×	×

Ref	Parts NO	Description	46S	50U	60U
177	5002012	Fixed Plate, Front	×	×	×
178	B5782-1050	Bolt M10×50	×		
179	5002023	Left Pressure Relief Rod	×		
	6012008	Left Pressure Relief Rod		×	×
180	B93-10	Washer M10	×	×	×
181	5002011	Right Drive Axle	×		
	6012014	Left Drive Axle		×	×
182	5002087	Axle Weldment	×		
	6012020	Axle Weldment		×	×
183	5002010	Left Drive Axle	×		
	6012013	Left Drive Axle		×	×
184	5000001	Nut 1/2-20UNF	×	×	×
185	5000050	Tire 18×9.5-8	×	×	×
186	5002013	Outer Axle Mounting Bracket	×	×	×
197	B5783-620	Hex Hd. Bolt M6×20		×	×
246	5002014	Left Inner Axle Mounting Bracket	×	×	×
247	5002015	Right Inner Axle Mounting Bracket	×	×	×
273	2800006	Washer M8	×	×	×
380	B5782-8130	Hex Hd. Bolt M8×130		×	×
381	5000052	Rim 8×7	×	×	×
382	5000051	Tire 18×9.5-8	×	×	×



WORLDLAWN®

Deck Height Adjustment

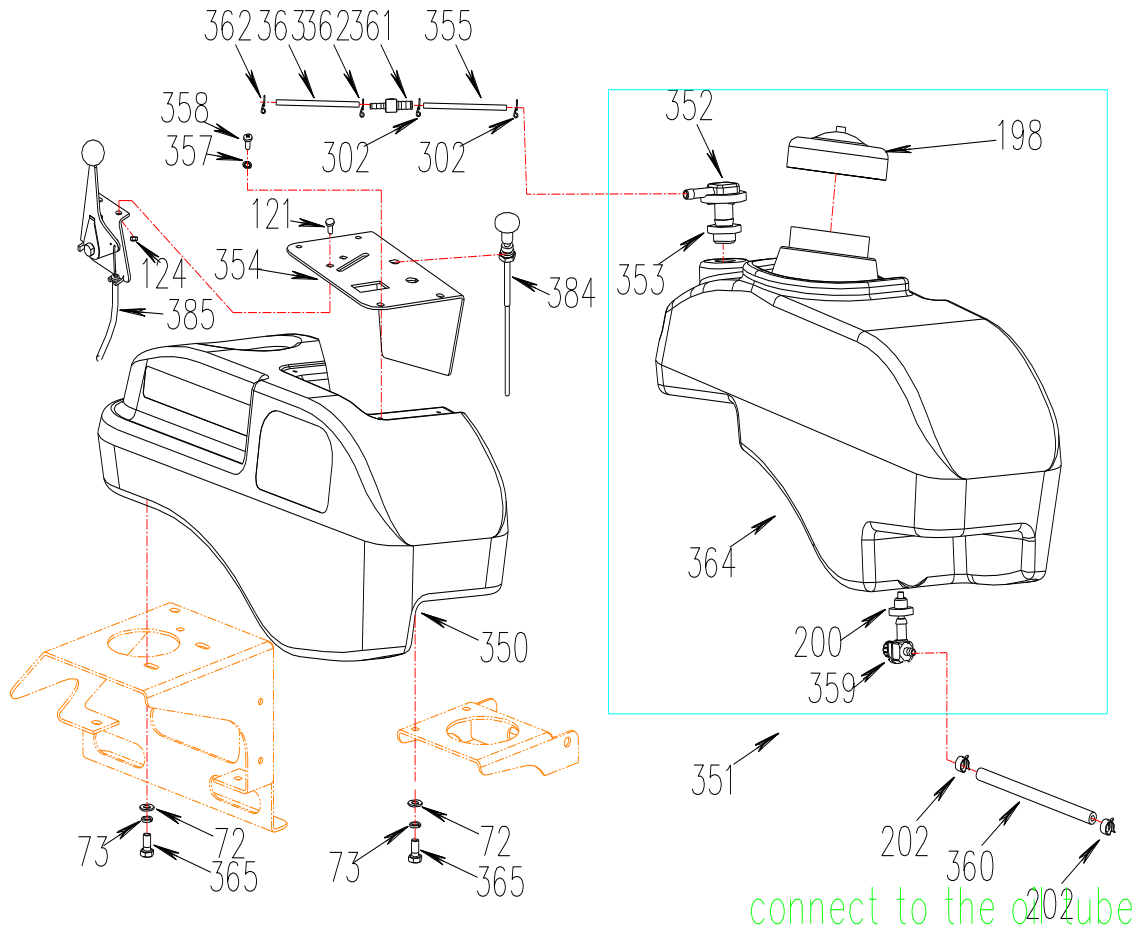


Ref	Parts NO	Description	46S	50U	60U
1	B5783-616	Hex Hd. Bolt M6×16	×	×	×
7	B97.1-10	Flat Washer M10	×	×	×
8	B6182-10	Locknut M10	×	×	×
17	B6182-8	Locknut M8	×	×	×
29	B5783-1030	Hex Hd. Bolt M10×30	×	×	×
50	B801-820	Hex Hd. Bolt M8×20	×	×	×
124	B6182-6	Locknut M6	×	×	×
131	B5783-1025	Bolt M10×25	×	×	×
147	B5783-845	Bolt M8×45	×	×	×
162	4806004	Tension Pulley Spring	×	×	×
180	B93-10	Washer M10	×	×	×

Ref	Parts NO	Description	46S	50U	60U
188	5002190	Lift Lever	×	×	×
189	5002025	Handle Grip	×	×	×
190	5002001	Swivel	×	×	×
191	5002360	DeckLiftShaft Weldment	×	×	×
192	5002306	CLAMP COLLAR	×	×	×
194	5002250	Tracking Plate	×	×	×
195	B801-1030	Bolt M10×30	×	×	×
196	B5783-830	Bolt M8×30	×	×	×
197	B5783-620	Hex Hd Bolt M6×20	×	×	×
248	4602021	Cutting Height Bracket	×	×	×

Fuel Tank Assembly

connect to air filter of engine



connect to the 202 tube

Ref	Parts NO	Description	46S	50U	60U
72	B93-8	Split Lock Washer M8	×	×	×
73	B97.1-8	Flat Washer M8	×	×	×
198	363413	Fuel Tank Cap	×	×	×
200	3307023B	Grommet	×	×	×
202	B8870-16	Hose Clamp 10.16	×	×	×
302	12105-1P68FS-0000	Flexible Clamp	×	×	×
350	5000124	Right Fender	×	×	×
351	5000131	Left Fuel Tank Assembly	×	×	×
352	593370	Vent Valve	×	×	×
353	363412	Vent Grommet	×	×	×
354	5000152	Control Panel 1	×	×	×
355	5000140	Fuel Line (1/2" 5x2)	×	×	×
357	B861.1-5	Washer M5	×	×	×
358	5000129	British Bolt 10.24UNCx1/2	×	×	×

Ref	Parts NO	Description	46S	50U	60U
359	393044	Right-angle Switch Valve	×	×	×
360	5000144	Fuel Line		×	
	5000141	Fuel Line	×		×
361	5000130	Adaptor	×	×	×
362	3307041	Clamp	×	×	×
363	5000142	Fuel Line	×		×
	5000143	Fuel Line		×	
364	5000132	Left Fuel Tank	×	×	×
365	4802012	Bolt 5/16-18UNC	×	×	×
384	4806020	Choke Cable	×	×	×
385	2806005	Throttle Cable	×	×	×

Safety/Operation and Product Decals



<p>220</p>	<p>221</p>	<p>FUSE BLOCK 8509</p> <p>222</p>	<p>8507</p> <p>223</p>	<p>233</p>	<p>236</p>				
<p>8510</p> <p>245</p>	<p>60</p> <p>227</p>	<p>229</p>	<p>8517</p> <p>228</p>	<p>230</p>					
<p>8515</p> <p>238</p>		<p>8511</p> <p>241</p>	<p>CAUTION</p> <p>DO NOT OPERATE WITHOUT GUARD IN PLACE</p> <p>225</p>						
<p>50</p> <p>8513</p> <p>240</p>	<p>235</p>		<p>WARNING</p> <p>DO NOT OPERATE WITHOUT DISCHARGE DEFLECTOR, ENTIRE GRASS COLLECTION SYSTEM, OR MULCH KIT IN PLACE. DO NOT REMOVE GRASS CATCHER UNTIL BLADES HAVE STOPPED.</p> <p>234</p>						
<p>224</p>		<p>WORLDAWN POWER EQUIPMENT, INC.</p> <table border="1"> <tr> <td>MODEL</td> <td>SERIAL</td> </tr> <tr> <td></td> <td></td> </tr> </table> <p>MADE IN CHINA</p> <p>231</p>	MODEL	SERIAL			<p>EMISSION CONTROL INFORMATION</p> <p>JIANGSU WORLD PLANT-PROTECTING MACHINERY CO., LTD</p> <p>THIS EQUIPMENT MEETS U.S. EPA EYAP STANDARDS</p> <p>EQUIPMENT FAMILY NAME: SJWPPPH0002</p> <p>226</p>		
MODEL	SERIAL								
<p>CAUTION</p> <ul style="list-style-type: none"> Loose or Damaged Blade Bolt may allow blade to come out from under deck at HIGH SPEED. Replace Blade Bolt after striking a foreign object. Torque Blade Bolt to 115-120 FT-LBS (158-163N m). <p>SEE OPERATOR'S MANUAL</p> <p>242</p>		<p>DANGER</p> <p>COVER IS MISSING. DO NOT OPERATE THIS UNIT WHEN COVER IS NOT IN PLACE.</p> <p>243</p>		<p>Worldlawn Power Equipment</p> <p>244</p> <p>DANGER</p> <p>To avoid serious injury or death: Avoid blades unless engine and blades are stopped.</p> <p>237</p>					

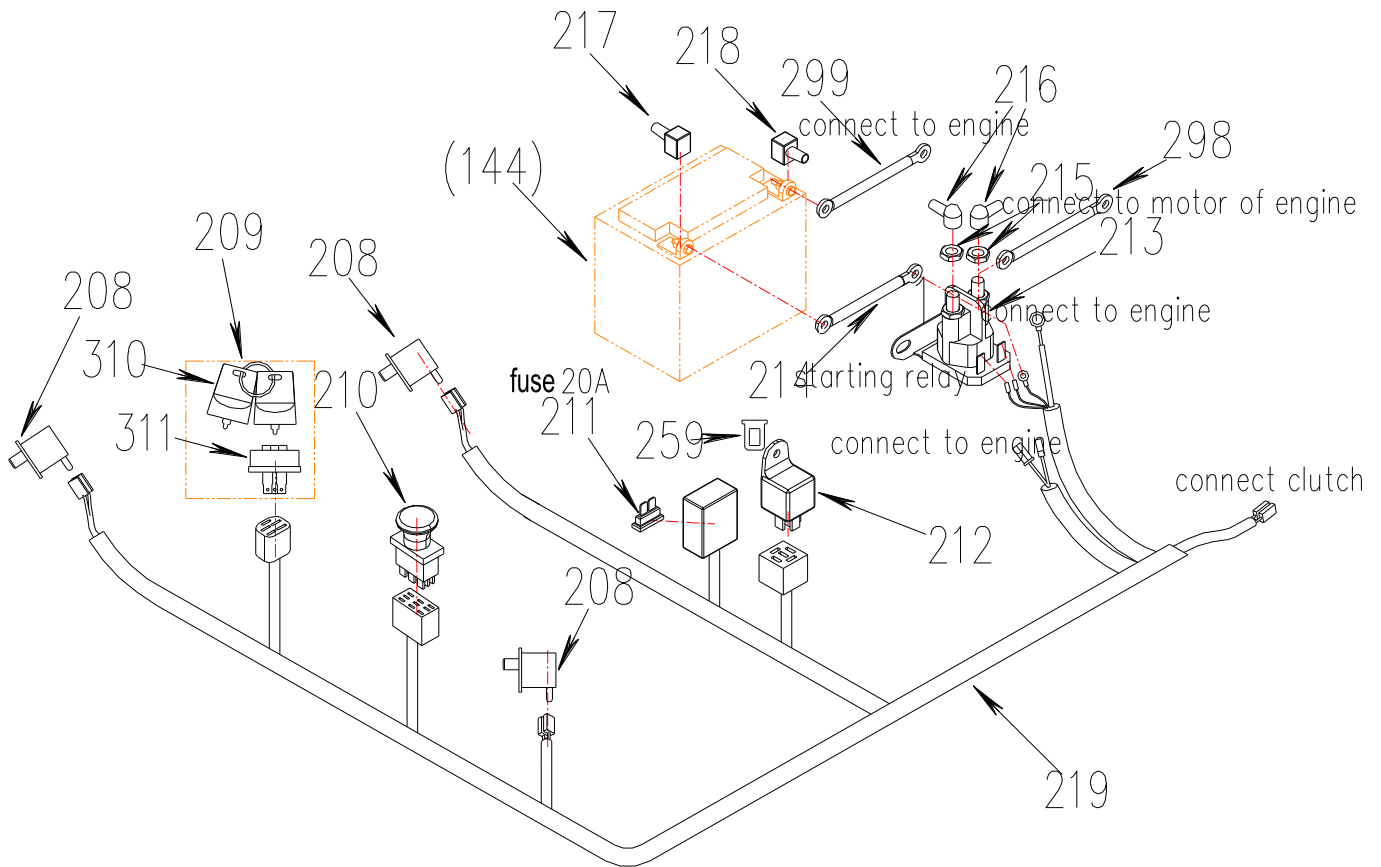


Safety/Operation and Product Decals

Ref	Parts NO	Description	46S	50U	60U
220	8312	Ignition Switch Decal	×	×	×
221	8314	PTO Run Stop Decal		×	×
222	8509	Fuse Decal	×	×	×
223	8507	Choke Decal		×	×
224	8500	Viper Logo	×	×	×
225	8303	Caution Guard	×	×	×
226	8602	EPA Label	×	×	×
227	8514	Cutting Height Inner			×
228	8517	Cutting Height Locator	×	×	×
229	8603	Transaxle Release LH	×	×	×
230	8604	Transaxle Release RH	×	×	×
231	8046	Serial Plate	×	×	×
232	8606	Decal 46"	×		
233	8508	Motion Control LH	×	×	×

Ref	Parts NO	Description	46S	50U	60U
234	8307	Discharge Warning	×	×	×
235	8519	Operational Warning	×	×	×
236	8512	Motion Control RH	×	×	×
237	8325	Danger Blades	×	×	×
238	8515	Rotating Parts	×	×	×
239	8501	International Logo	×	×	×
240	8513	Decal 50"		×	
241	8511	Deck Belt Routing	×	×	×
242	8308	Shield Warning	×	×	×
243	8305	Danger Foot Plate	×	×	×
244	8341	Worldlawn logo	×	×	×
245	8510	Cutting Height Outer	×	×	×

Electrical System



Ref	Parts NO	Description	46S	50U	60U
208	5008003	Plunger Switch	×	×	×
209	5208070	Ignition Switch	×	×	×
210	5208022	PTO Switch	×	×	×
211	5208007	Fuse 20A	×	×	×
212	5208011	Relay 12V	×	×	×
213	5208043	Starter Relay	×	×	×
214	5208004	Battery Cables (+550)	×	×	×
298	5008006	Motor Wiring	×	×	×
299	5008008	Power Cord (+)	×	×	×

Ref	Parts NO	Description	46S	50U	60U
215	5008005	Nut 5/16-24UNF	×	×	×
216	2808107	Relay Cable Cover	×	×	×
217	3312032	Cover (positive)	×	×	×
218	3312031	Cover (negative)	×	×	×
219	5008021	Wiring Harness (Kawasaki)		×	
	5008031	Wiring Harness (BS20/26HP)	×		×
259	5008012	Relay	×	×	×
310	5208072	key	×	×	×
311	5208071	lock	×	×	×



WORLDLAWN®

Worldlawn Power Equipment, Inc.

Industrial Park 2415 Ashland Ave. Beatrice, NE 68310

Phone: (402) 228-4255

Fax: (402) 223-4103

www.worldlawn.com